

PARTS CATALOGUE
MODEL YEAR 2004
G27AZ (JU71)

STARTING SERIAL NO.: JU7-000101 and following

OWNERS LIT-19626-01-08
 ASSEMBLY LIT-11666-01-08
 SERVICE LIT-11616-01-08

CONTENTS

| | |
|------------------------|--------|
| ACCELERATOR | C1 |
| AIR SHROUD FAN | A8 |
| BODY | C11-12 |
| BODY 2 | D1 |
| BODY FITTING | D2 |
| BRAKE | B9-10 |
| BRAKE 2 | B11 |
| BRAKE 3 | B12 |
| BUMPER | C10 |
| CAMSHAFT VALVE | A7 |
| CARBURETOR | A10 |
| CARRIER | D3 |
| CRANKCASE | A12 |
| CRANKSHAFT PISTON | A6 |
| CYLINDER HEAD | A5 |
| ELECTRICAL 1 | D8 |
| ELECTRICAL 2 | D9-10 |
| ENGINE ASSEMBLY | A4 |
| ENGINE BRACKET | B1 |
| EXHAUST | A11 |
| FRAME | B3 |
| FRONT SUSPENSION WHEEL | B4-5 |
| FUEL TANK | B8 |
| GOVERNOR | C2 |
| HEADLIGHT | D7 |
| INTAKE | A9 |
| PRIMARY SHEAVE | C3 |
| REAR ARM SUSPENSION | B2 |
| REAR AXLE MOUNT WHEEL | C8 |
| SEAT | D4 |
| SECONDARY SHEAVE | C4 |
| SHIFTER CABLES | C9 |
| STARTING MOTOR | D5-6 |
| STEERING | B6-7 |
| TRANSMISSION 1 | C5-7 |

FOREWORD

This Parts Catalogue is related to the parts for the model(s) on the cover page. When you are ordering replacement parts, please refer to this Parts Catalogue and quote both part numbers and part names correctly.

1. Modifications or additions which have been made after the issue of the Parts Catalogue will be announced in the Parts News.
It is advisable that you make the necessary corrections to the Parts Catalogue according to the Parts News.

2. Abbreviations

The following abbreviations are used in this Parts Catalogue.

"UR" Use specified parts number.

"UN" Use as many as needed.

"AP" Alternate Parts

"LM" Locally Made (Parts need to be ordered locally)

"F#" Frame No. (Applicable machine No.)

"O/S" Over Size

3. The number of components for assembly

- Parts, which are to be supplied in an assembly, are listed with a dot (.) in front of the part name as shown below.
- The numeral appearing to the right of each component part indicates the quantity of parts for each assembly unit.

| PART NO. | DESCRIPTION | Q'TY | REMARKS |
|--------------|--------------------------|------|---------|
| 2F5-83310-60 | FRONT FLASHER LIGHT ASSY | 2 | |
| 115-83311-60 | .BULB (6V-18W) | 1 | |

4. Applicable colours of graphics are represented in the "REMARKS" as shown below.

| PART NO. | DESCRIPTION | Q'TY | REMARKS |
|-----------------|---------------------|------|---------|
| 2N4-24110-00-X5 | FUEL TANK COMP. | 2 | MXR |
| 3J1-24240-10 | .GRAPHIC, FUEL TANK | 1 | FOR MXR |

5. Note that the illustrations for reference in finding parts numbers are not to be used for assembling. When assembling, please use the applicable service manual.

6. The asterisk (*) before a reference number indicates modified items after the first edition.

CONTENTS

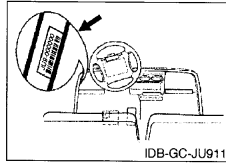
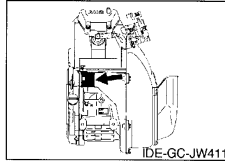
| | |
|------------------------|--------|
| ACCELERATOR | C1 |
| AIR SHROUD FAN | A8 |
| BODY | C11-12 |
| BODY 2 | D1 |
| BODY FITTING | D2 |
| BRAKE | B9-10 |
| BRAKE 2 | B11 |
| BRAKE 3 | B12 |
| BUMPER | C10 |
| CAMSHAFT VALVE | A7 |
| CARBURETOR | A10 |
| CARRIER | D3 |
| CRANKCASE | A12 |
| CRANKSHAFT PISTON | A6 |
| CYLINDER HEAD | A5 |
| ELECTRICAL 1 | D8 |
| ELECTRICAL 2 | D9-10 |
| ENGINE ASSEMBLY | A4 |
| ENGINE BRACKET | B1 |
| EXHAUST | A11 |
| FRAME | B3 |
| FRONT SUSPENSION WHEEL | B4-5 |
| FUEL TANK | B8 |
| GOVERNOR | C2 |
| HEADLIGHT | D7 |
| INTAKE | A9 |
| PRIMARY SHEAVE | C3 |
| REAR ARM SUSPENSION | B2 |
| REAR AXLE MOUNT WHEEL | C8 |
| SEAT | D4 |
| SECONDARY SHEAVE | C4 |
| SHIFTER CABLES | C9 |
| STARTING MOTOR | D5-6 |
| STEERING | B6-7 |
| TRANSMISSION 1 | C5-7 |

FOREWORD

7. Applicable Serial No.

Engine Serial No.

Frame Serial No.



8. Applicable Colour Code (The (*) mark shows Model colour.)

| Abbreviation | Colour Name | Colour Code |
|--------------|-------------|-------------|
| | | |
| | | |
| | | |
| | | |
| | | |
| | | |
| | | |
| | | |
| | | |
| | | |

9. Quantity Column Information

| Column No. | Name Of Q'ty Column | Destination |
|------------|---------------------|-------------|
| 1 | JU71 | U.S.A |
| | | |
| | | |
| | | |

10. Applicable Starting Serial No.

Frame Serial No.

| Serial No. | Name Of Q'ty Column | Model Code |
|------------|---------------------|------------|
| JU7-000101 | JU71 | JU71 |
| | | |
| | | |
| | | |
| | | |

CONTENTS

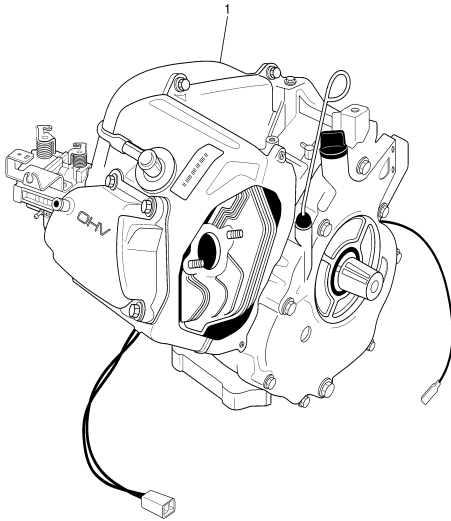
| | |
|------------------------|--------|
| ACCELERATOR | C1 |
| AIR SHROUD FAN | A8 |
| BODY | C11-12 |
| BODY 2 | D1 |
| BODY FITTING | D2 |
| BRAKE | B9-10 |
| BRAKE 2 | B11 |
| BRAKE 3 | B12 |
| BUMPER | C10 |
| CAMSHAFT VALVE | A7 |
| CARBURETOR | A10 |
| CARRIER | D3 |
| CRANKCASE | A12 |
| CRANKSHAFT PISTON | A6 |
| CYLINDER HEAD | A5 |
| ELECTRICAL 1 | D8 |
| ELECTRICAL 2 | D9-10 |
| ENGINE ASSEMBLY | A4 |
| ENGINE BRACKET | B1 |
| EXHAUST | A11 |
| FRAME | B3 |
| FRONT SUSPENSION WHEEL | B4-5 |
| FUEL TANK | B8 |
| GOVERNOR | C2 |
| HEADLIGHT | D7 |
| INTAKE | A9 |
| PRIMARY SHEAVE | C3 |
| REAR ARM SUSPENSION | B2 |
| REAR AXLE MOUNT WHEEL | C8 |
| SEAT | D4 |
| SECONDARY SHEAVE | C4 |
| SHIFTER CABLES | C9 |
| STARTING MOTOR | D5-6 |
| STEERING | B6-7 |
| TRANSMISSION 1 | C5-7 |

ENGINE ASSEMBLY

| Ref. No. | Part Number | Description | Qty | Remarks |
|----------|-----------------|-----------------------|-----|---------|
| 1 | JR6-19001-00-00 | ENGINE ASSEMBLY | 1 | |

CONTENTS

| | |
|------------------------|--------|
| ACCELERATOR | C1 |
| AIR SHROUD FAN | A8 |
| BODY | C11-12 |
| BODY 2 | D1 |
| BODY FITTING | D2 |
| BRAKE | B9-10 |
| BRAKE 2 | B11 |
| BRAKE 3 | B12 |
| BUMPER | C10 |
| CAMSHAFT VALVE | A7 |
| CARBURETOR | A10 |
| CARRIER | D3 |
| CRANKCASE | A12 |
| CRANKSHAFT PISTON | A6 |
| CYLINDER HEAD | A5 |
| ELECTRICAL 1 | D8 |
| ELECTRICAL 2 | D9-10 |
| ENGINE ASSEMBLY | A4 |
| ENGINE BRACKET | B1 |
| EXHAUST | A11 |
| FRAME | B3 |
| FRONT SUSPENSION WHEEL | B4-5 |
| FUEL TANK | B8 |
| GOVERNOR | C2 |
| HEADLIGHT | D7 |
| INTAKE | A9 |
| PRIMARY SHEAVE | C3 |
| REAR ARM SUSPENSION | B2 |
| REAR AXLE MOUNT WHEEL | C8 |
| SEAT | D4 |
| SECONDARY SHEAVE | C4 |
| SHIFTER CABLES | C9 |
| STARTING MOTOR | D5-6 |
| STEERING | B6-7 |
| TRANSMISSION 1 | C5-7 |



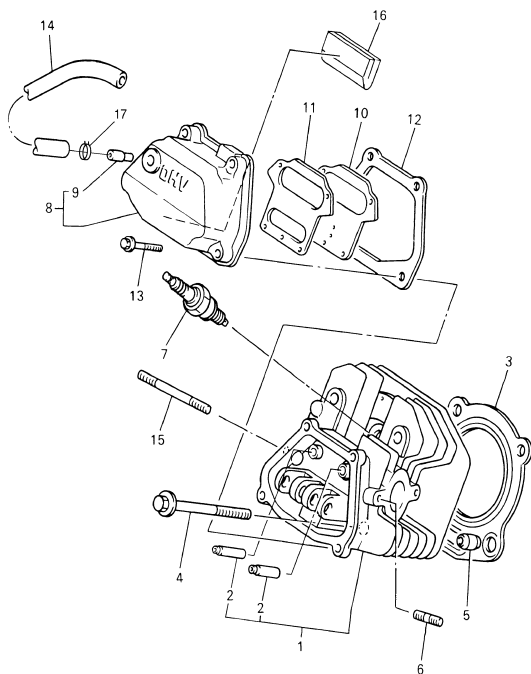
JW41110-C010

CYLINDER HEAD

| Ref. No. | Part Number | Description | Qty | Remarks |
|----------|-----------------|----------------------------|-----|---------|
| 1 | JT0-11111-00-00 | HEAD, CYLINDER 1 | 1 | |
| 2 | JN6-11133-10-00 | ..GUIDE, VALVE 1 | 2 | |
| 3 | JT0-11181-00-00 | GASKET, CYLINDER HEAD 1 .. | 1 | |
| 4 | 95817-10070-00 | BOLT, FLANGE | 4 | |
| 5 | 99530-14016-00 | PIN, DOWEL | 2 | |
| 6 | 95627-08618-00 | BOLT, STUD | 2 | |
| 7 | 94702-00343-00 | PLUG, SPARK (NGK BP4ES) .. | 1 | AP |
| | 94702-00348-00 | PLUG, SPARK (NGK-BPR2ES) | 1 | STD |
| 8 | JN6-11191-01-00 | COVER, CYLINDER HEAD 1 .. | 1 | |
| 9 | JN6-11116-00-00 | ..JOINT, BREATHER | 1 | |
| 10 | JN6-11168-00-00 | COVER, BREATHER | 1 | |
| 11 | JN6-11169-00-00 | GASKET, BREATHER COVER .. | 1 | |
| 12 | JN6-11193-00-00 | GASKET, HEAD COVER 1 | 1 | |
| 13 | 95827-06030-00 | BOLT, FLANGE | 4 | |
| 14 | JN6-E1166-00-00 | PIPE, BREATHER 1 | 1 | |
| 15 | 95607-08710-00 | BOLT, STUD | 2 | |
| 16 | JR7-11163-00-00 | ELEMENT | 1 | |
| 17 | 90467-13847-00 | CLIP | 2 | |

CONTENTS

| | |
|------------------------|--------|
| ACCELERATOR | C1 |
| AIR SHROUD FAN | A8 |
| BODY | C11-12 |
| BODY 2 | D1 |
| BODY FITTING | D2 |
| BRAKE | B9-10 |
| BRAKE 2 | B11 |
| BRAKE 3 | B12 |
| BUMPER | C10 |
| CAMSHAFT VALVE | A7 |
| CARBURETOR | A10 |
| CARRIER | D3 |
| CRANKCASE | A12 |
| CRANKSHAFT PISTON | A6 |
| CYLINDER HEAD | A5 |
| ELECTRICAL 1 | D8 |
| ELECTRICAL 2 | D9-10 |
| ENGINE ASSEMBLY | A4 |
| ENGINE BRACKET | A1 |
| EXHAUST | B1 |
| FRAME | B3 |
| FRONT SUSPENSION WHEEL | B4-5 |
| FUEL TANK | B8 |
| GOVERNOR | C2 |
| HEADLIGHT | D7 |
| INTAKE | A9 |
| PRIMARY SHEAVE | C3 |
| REAR ARM SUSPENSION | B2 |
| REAR AXLE MOUNT WHEEL | C8 |
| SEAT | D4 |
| SECONDARY SHEAVE | C4 |
| SHIFTER CABLES | C9 |
| STARTING MOTOR | D5-6 |
| STEERING | B6-7 |
| TRANSMISSION 1 | C5-7 |



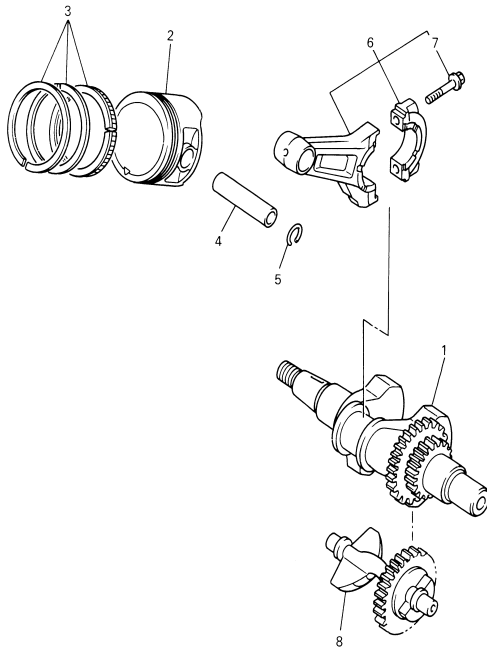
JT01010-0011

CRANKSHAFT PISTON

| Ref. No. | Part Number | Description | Qty | Remarks |
|----------|-----------------|------------------------------------|-----|---------|
| 1 | JN6-11400-00-00 | CRANKSHAFT ASSY | 1 | |
| 2 | JR7-11631-00-A0 | PISTON (STD) | 1 | |
| | JR7-11635-00-00 | PISTON (0.25MM O/S) | 1 | AP |
| | JR7-11636-00-00 | PISTON (0.50MM O/S) | 1 | AP |
| 3 | JR7-11610-00-00 | PISTON RING SET (STD) | 1 | |
| | JR7-11610-10-00 | PISTON RING SET (0.25MM O/S) | 1 | AP |
| | JR7-11610-20-00 | PISTON RING SET (0.50MM O/S) | 1 | AP |
| 4 | 583-11633-00-00 | PIN, PISTON | 1 | |
| 5 | 93450-21053-00 | CIRCLIP | 2 | |
| 6 | JN6-11650-00-00 | CONNECTING ROD ASSY | 1 | |
| 7 | JN6-11654-00-00 | ..BOLT, CONNECTING ROD .. | 2 | |
| 8 | JN6-11454-00-00 | WEIGHT 1 | 1 | |

CONTENTS

| | |
|------------------------|--------|
| ACCELERATOR | C1 |
| AIR SHROUD FAN | A8 |
| BODY | C11-12 |
| BODY 2 | D1 |
| BODY FITTING | D2 |
| BRAKE | B9-10 |
| BRAKE 2 | B11 |
| BRAKE 3 | B12 |
| BUMPER | C10 |
| CAMSHAFT VALVE | A7 |
| CARBURETOR | A10 |
| CARRIER | D3 |
| CRANKCASE | A12 |
| CRANKSHAFT PISTON | A6 |
| CYLINDER HEAD | A5 |
| ELECTRICAL 1 | D8 |
| ELECTRICAL 2 | D9-10 |
| ENGINE ASSEMBLY | A4 |
| ENGINE BRACKET | B1 |
| EXHAUST | A11 |
| FRAME | B3 |
| FRONT SUSPENSION WHEEL | B4-5 |
| FUEL TANK | B8 |
| GOVERNOR | C2 |
| HEADLIGHT | D7 |
| INTAKE | A9 |
| PRIMARY SHEAVE | C3 |
| REAR ARM SUSPENSION | B2 |
| REAR AXLE MOUNT WHEEL | C8 |
| SEAT | D4 |
| SECONDARY SHEAVE | C4 |
| SHIFTER CABLES | C9 |
| STARTING MOTOR | D5-6 |
| STEERING | B6-7 |
| TRANSMISSION 1 | C5-7 |



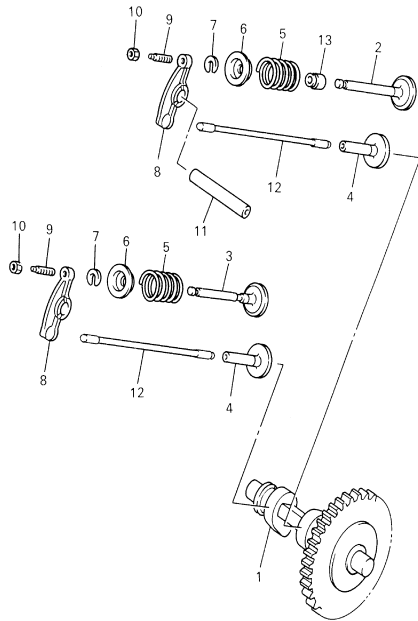
JN7010-6020

CAMSHAFT VALVE

| Ref. No. | Part Number | Description | Qty | Remarks |
|----------|-----------------|------------------------|-----|---------|
| 1 | JR7-12170-00-00 | CAMSHAFT ASSY 1 | 1 | |
| 2 | JN6-12111-01-00 | VALVE, INTAKE | 1 | |
| 3 | 7RH-12121-00-00 | VALVE, EXHAUST | 1 | |
| 4 | JN6-12153-00-00 | LIFTER, VALVE | 2 | |
| 5 | 90501-264A9-00 | SPRING, COMPRESSION | 2 | |
| 6 | J38-12117-01-00 | RETAINER, VALVE SPRING | 2 | |
| 7 | J38-12118-00-00 | COTTER, VALVE | 2 | |
| 8 | JN6-12151-00-00 | ARM, VALVE ROCKER | 2 | |
| 9 | 22F-12159-00-00 | SCREW, VALVE ADJUSTING | 2 | |
| 10 | 90170-05302-00 | NUT | 2 | |
| 11 | J38-12156-00-00 | SHAFT, ROCKER 2 | 1 | |
| 12 | JR7-12154-01-00 | ROD, VALVE PUSH | 2 | |
| 13 | 4G0-12119-00-00 | SEAL, VALVE STEM | 1 | |

CONTENTS

| | |
|------------------------|--------|
| ACCELERATOR | C1 |
| AIR SHROUD FAN | A8 |
| BODY | C11-12 |
| BODY FITTING | D1 |
| BRAKE | D2 |
| BRAKE 2 | B9-10 |
| BRAKE 3 | B11 |
| BUMPER | B12 |
| CAMSHAFT VALVE | C10 |
| CARBURETOR | A7 |
| CARRIER | A10 |
| CARRIER | D3 |
| CRANKCASE | A12 |
| CRANKSHAFT PISTON | A6 |
| CYLINDER HEAD | A5 |
| ELECTRICAL 1 | D8 |
| ELECTRICAL 2 | D9-10 |
| ENGINE ASSEMBLY | A4 |
| ENGINE BRACKET | B1 |
| EXHAUST | A11 |
| FRAME | B3 |
| FRONT SUSPENSION WHEEL | B4-5 |
| FUEL TANK | B8 |
| GOVERNOR | C2 |
| HEADLIGHT | D7 |
| INTAKE | A9 |
| PRIMARY SHEAVE | C3 |
| REAR ARM SUSPENSION | B2 |
| REAR AXLE MOUNT WHEEL | C8 |
| SEAT | D4 |
| SECONDARY SHEAVE | C4 |
| SHIFTER CABLES | C9 |
| STARTING MOTOR | D5-6 |
| STEERING | B6-7 |
| TRANSMISSION 1 | C5-7 |



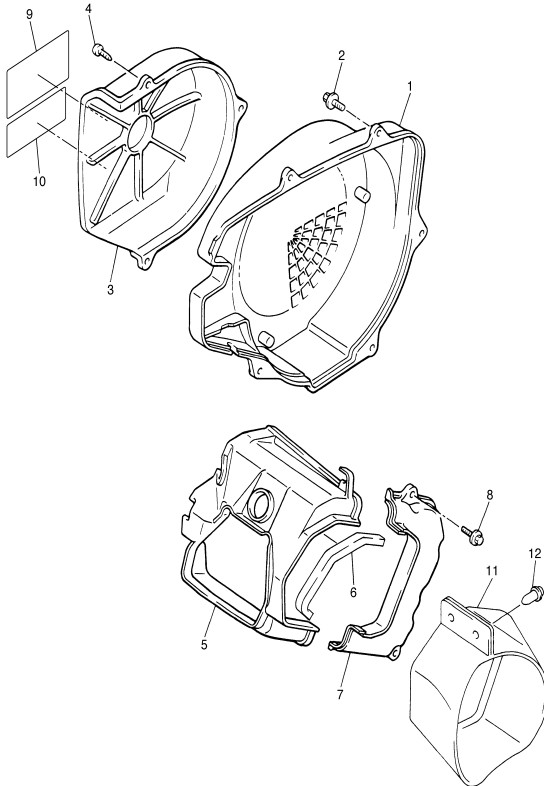
JT01010-0030

AIR SHROUD FAN

| Ref. No. | Part Number | Description | Qty | Remarks |
|----------|-----------------|---------------------------|-----|---------|
| 1 | JN6-12621-00-00 | CASE, FAN | 1 | |
| 2 | 95807-06020-00 | BOLT, FLANGE | 5 | |
| 3 | JN6-12616-00-00 | COVER, FAN CASE | 1 | |
| 4 | 97707-60520-00 | SCREW, TAPPING | 3 | |
| 5 | JN6-12651-00-00 | AIR SHROUD, CYLINDER 1 | 1 | |
| 6 | JR7-12658-00-00 | DAMPER, AIR SHROUD 1 | 1 | |
| 7 | JN6-12652-00-00 | AIR SHROUD, CYLINDER 2 | 1 | |
| 8 | 95807-06020-00 | BOLT, FLANGE | 2 | |
| 9 | JR6-2179R-01-00 | PLATE, EPA 2 (CALIFORNIA) | 1 | UR CA |
| 10 | 7UH-2111F-00-00 | LABEL, EMISSION | 1 | |
| 11 | JN6-E2691-00-00 | DUCT, 1 | 1 | |
| 12 | 90269-08813-00 | RIVET | 2 | |

CONTENTS

| | |
|------------------------|--------|
| ACCELERATOR | C1 |
| AIR SHROUD FAN | A8 |
| BODY | C11-12 |
| BODY 2 | D1 |
| BODY FITTING | D2 |
| BRAKE | B9-10 |
| BRAKE 2 | B11 |
| BRAKE 3 | B12 |
| BUMPER | C10 |
| CAMSHAFT VALVE | A7 |
| CARBURETOR | A10 |
| CARRIER | D3 |
| CRANKCASE | A12 |
| CRANKSHAFT PISTON | A6 |
| CYLINDER HEAD | A5 |
| ELECTRICAL 1 | D8 |
| ELECTRICAL 2 | D9-10 |
| ENGINE ASSEMBLY | A4 |
| ENGINE BRACKET | B1 |
| EXHAUST | A11 |
| FRAME | B3 |
| FRONT SUSPENSION WHEEL | B4-5 |
| FUEL TANK | B8 |
| GOVERNOR | C2 |
| HEADLIGHT | D7 |
| INTAKE | A9 |
| PRIMARY SHEAVE | C3 |
| REAR ARM SUSPENSION | B2 |
| REAR AXLE MOUNT WHEEL | C8 |
| SEAT | D4 |
| SECONDARY SHEAVE | C4 |
| SHIFTER CABLES | C9 |
| STARTING MOTOR | D5-6 |
| STEERING | B6-7 |
| TRANSMISSION 1 | C5-7 |



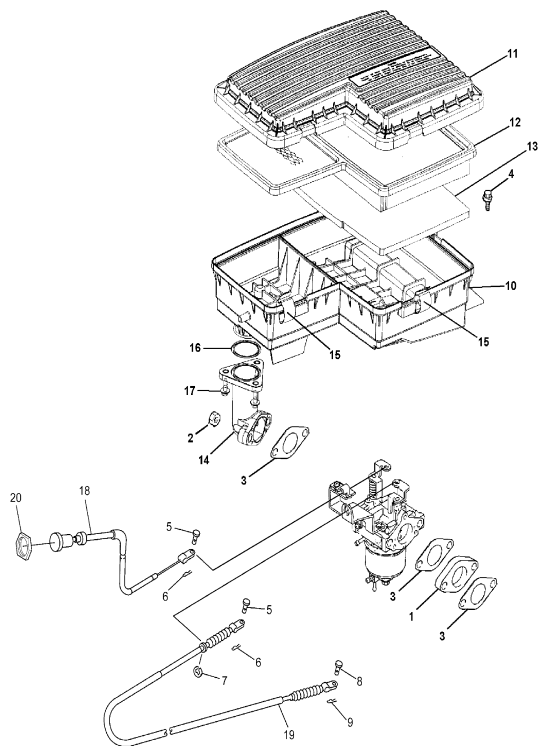
JW41110-C050

INTAKE

| Ref. No. | Part Number | Description | Qty | Remarks |
|----------|-----------------|---------------------------|-----|---------|
| 1 | JN6-13595-00-00 | JOINT | 1 | |
| 2 | 95707-08500-00 | .NUT, FLANGE | 2 | |
| 3 | JN6-13567-00-00 | GASKET | 3 | |
| 4 | 90119-06838-00 | BOLT, WITH WASHER | 2 | |
| 5 | 91701-05010-00 | PIN, CLEVIS | 2 | |
| 6 | 90468-10049-00 | CLIP | 2 | |
| 7 | 99001-07600-00 | CIRCLIP | 1 | |
| 8 | 91701-05010-00 | PIN, CLEVIS | 1 | |
| 9 | 90468-10049-00 | CLIP | 1 | |
| 10 | JN6-E4411-02-00 | CASE, AIR CLEANER 1 | 1 | |
| 11 | JN6-E4412-01-00 | CAP, CLEANER CASE 1 | 1 | |
| 12 | JN6-E4450-01-00 | ELEMENT ASSY, AIR CLEANER | 1 | |
| 13 | JN6-E445E-00-00 | FILTER 1 | 1 | |
| 14 | JN6-E3586-01-00 | JOINT, CARBURETOR 1 | 1 | |
| 15 | JN6-E4424-00-00 | CLIP, CAP FITTING | 5 | |
| 16 | 93210-398D6-00 | O-RING | 1 | |
| 17 | 90105-06862-00 | BOLT, FLANGE | 3 | |
| 18 | JN6-F6331-11-00 | CABLE, STARTER 1 | 1 | |
| 19 | JN6-F6312-01-00 | CABLE, THROTTLE 2 | 1 | |
| 20 | JN6-F6333-10-00 | NUT | 1 | |

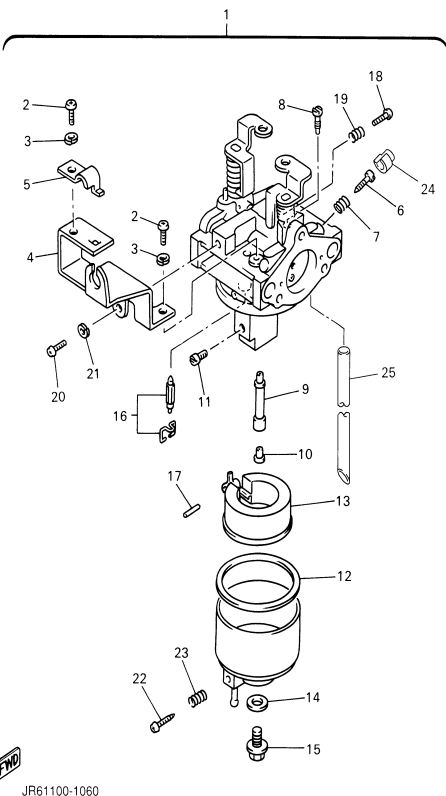
CONTENTS

| | |
|------------------------|--------|
| ACCELERATOR | C1 |
| AIR SHROUD FAN | A8 |
| BODY | C11-12 |
| BODY 2 | D1 |
| BODY FITTING | D2 |
| BRAKE | B9-10 |
| BRAKE 2 | B11 |
| BRAKE 3 | B12 |
| BUMPER | C10 |
| CAMSHAFT VALVE | A7 |
| CARBURETOR | A10 |
| CARRIER | D3 |
| CRANKCASE | A12 |
| CRANKSHAFT PISTON | A6 |
| CYLINDER HEAD | A5 |
| ELECTRICAL 1 | D8 |
| ELECTRICAL 2 | D9-10 |
| ENGINE ASSEMBLY | A4 |
| ENGINE BRACKET | B1 |
| EXHAUST | A11 |
| FRAME | B3 |
| FRONT SUSPENSION WHEEL | B4-5 |
| FUEL TANK | B8 |
| GOVERNOR | C2 |
| HEADLIGHT | D7 |
| INTAKE | A9 |
| PRIMARY SHEAVE | C3 |
| REAR ARM SUSPENSION | B2 |
| REAR AXLE MOUNT WHEEL | C8 |
| SEAT | D4 |
| SECONDARY SHEAVE | C4 |
| SHIFTER CABLES | C9 |
| STARTING MOTOR | D5-6 |
| STEERING | B6-7 |
| TRANSMISSION 1 | C5-7 |



JU0100-5050

CARBURETOR



JR61100-1060

| Ref. No. | Part Number | Description | Qty | Remarks |
|----------|-----------------|-------------------------|-----|---------|
| 1 | JR6-14101-00-00 | CARBURETOR ASSY 1 | 1 | |
| 2 | 98507-05008-00 | .SCREW, PAN HEAD | 2 | |
| 3 | 92990-05100-00 | .WASHER, SPRING | 2 | |
| 4 | JN6-14291-00-00 | .BRACKET 1 | 1 | |
| 5 | J10-14227-00-00 | .PLATE | 1 | |
| 6 | 7NJ-14211-00-00 | .SCREW, PILOT ADJUSTING | 1 | |
| 7 | 73A-14212-10-00 | .SPRING | 1 | |
| 8 | 732-14142-65-A0 | .JET, PILOT (# 65) | 1 | |
| 9 | JN6-1495H-3B-00 | .NOZZLE, MAIN | 1 | |
| 10 | 73A-1414G-00-00 | .PIPE, MAIN BLEED | 1 | AP |
| 11 | 3G2-1423A-67-00 | .JET, MAIN (# 82.5) | 1 | STD |
| | 3G2-1423A-68-A0 | .JET, MAIN (# 87.5) | 1 | |
| | 3G2-1423E-33-A0 | .JET, MAIN (#83.8) | 1 | AP |
| 12 | 796-14184-00-00 | .GASKET, FLOAT CHAMBER | 1 | |
| 13 | JN6-14185-00-00 | .FLOAT | 1 | |
| 14 | 127-14198-00-00 | .GASKET | 1 | |
| 15 | 7R1-14162-00-00 | .BOLT, HOLDING | 1 | |
| 16 | JN5-14150-00-00 | .NEEDLE ASSY | 1 | |
| 17 | 22F-14186-00-00 | .PIN, FLOAT | 1 | |
| 18 | 1WG-14922-00-00 | .SCREW, THROTTLE | 1 | |
| 19 | 73A-14212-10-00 | .SPRING | 1 | |
| 20 | 98507-04010-00 | .SCREW, PAN HEAD | 1 | |
| 21 | 92902-04100-00 | .WASHER, SPRING | 1 | |
| 22 | 7E1-14191-00-00 | .PLUG, DRAIN | 1 | |
| 23 | 73A-14212-00-00 | .SPRING | 1 | |
| 24 | 7LV-14118-00-00 | .CAP | 1 | |
| 25 | 1KT-14197-01-00 | .PIPE | 1 | |

CONTENTS

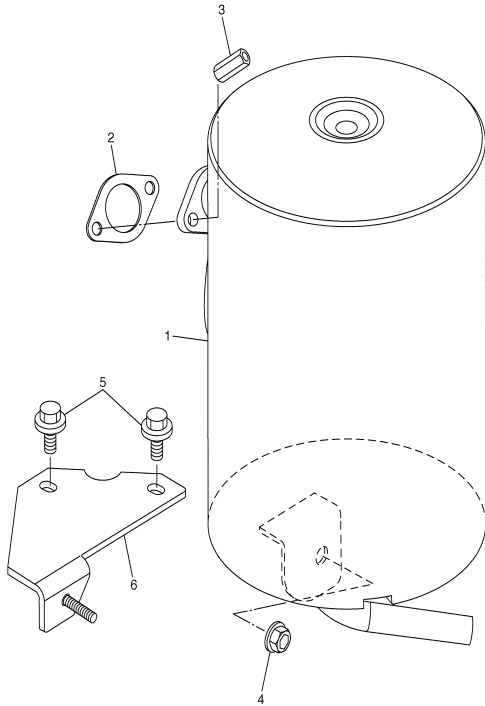
| | |
|------------------------|--------|
| ACCELERATOR | C1 |
| AIR SHROUD FAN | A8 |
| BODY | C11-12 |
| BODY 2 | D1 |
| BODY FITTING | D2 |
| BRAKE | B9-10 |
| BRAKE 2 | B11 |
| BRAKE 3 | B12 |
| BUMPER | C10 |
| CAMSHAFT VALVE | A7 |
| CARBURETOR | A10 |
| CARRIER | D3 |
| CRANKCASE | A12 |
| CRANKSHAFT PISTON | A6 |
| CYLINDER HEAD | A5 |
| ELECTRICAL 1 | D8 |
| ELECTRICAL 2 | D9-10 |
| ENGINE ASSEMBLY | A4 |
| ENGINE BRACKET | B1 |
| EXHAUST | A11 |
| FRAME | B3 |
| FRONT SUSPENSION WHEEL | B4-5 |
| FUEL TANK | B8 |
| GOVERNOR | C2 |
| HEADLIGHT | D7 |
| INTAKE | A9 |
| PRIMARY SHEAVE | C3 |
| REAR ARM SUSPENSION | B2 |
| REAR AXLE MOUNT WHEEL | C8 |
| SEAT | D4 |
| SECONDARY SHEAVE | C4 |
| SHIFTER CABLES | C9 |
| STARTING MOTOR | D5-6 |
| STEERING | B6-7 |
| TRANSMISSION 1 | C5-7 |

EXHAUST

| Ref. No. | Part Number | Description | Qty | Remarks |
|----------|-----------------|--------------------------|-----|---------|
| 1 | JU0-E4710-10-00 | MUFFLER ASSY 1 | 1 | |
| 2 | 7KY-14613-01-00 | GASKET, EXHAUST 1 | 1 | |
| 3 | 90179-08879-00 | NUT | 2 | |
| 4 | 90185-08841-00 | NUT, SELF-LOCKING | 1 | |
| 5 | 90119-08825-00 | BOLT, WITH WASHER | 2 | |
| 6 | JN6-F1435-10-00 | BRACKET, MUFFLER 1 | 1 | |

CONTENTS

| | |
|------------------------|--------|
| ACCELERATOR | C1 |
| AIR SHROUD FAN | A8 |
| BODY | C11-12 |
| BODY 2 | D1 |
| BODY FITTING | D2 |
| BRAKE | B9-10 |
| BRAKE 2 | B11 |
| BRAKE 3 | B12 |
| BUMPER | C10 |
| CAMSHAFT VALVE | A7 |
| CARBURETOR | A10 |
| CARRIER | D3 |
| CRANKCASE | A12 |
| CRANKSHAFT PISTON | A6 |
| CYLINDER HEAD | A5 |
| ELECTRICAL 1 | D8 |
| ELECTRICAL 2 | D9-10 |
| ENGINE ASSEMBLY | A4 |
| ENGINE BRACKET | B1 |
| EXHAUST | A11 |
| FRAME | B3 |
| FRONT SUSPENSION WHEEL | B4-5 |
| FUEL TANK | B8 |
| GOVERNOR | C2 |
| HEADLIGHT | D7 |
| INTAKE | A9 |
| PRIMARY SHEAVE | C3 |
| REAR ARM SUSPENSION | B2 |
| REAR AXLE MOUNT WHEEL | C8 |
| SEAT | D4 |
| SECONDARY SHEAVE | C4 |
| SHIFTER CABLES | C9 |
| STARTING MOTOR | D5-6 |
| STEERING | B6-7 |
| TRANSMISSION 1 | C5-7 |



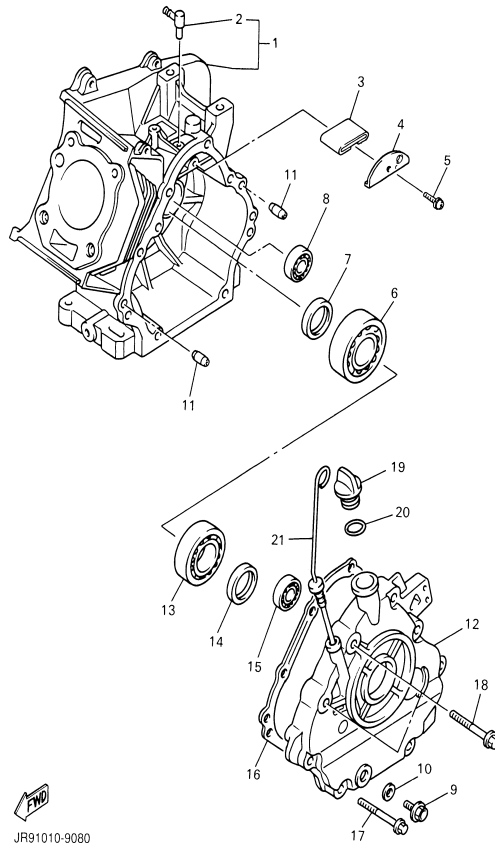
JT71010-B070

CRANKCASE

| Ref. No. | Part Number | Description | Qty | Remarks |
|----------|-----------------|---------------------------|-----|---------|
| 1 | JR7-15100-00-00 | CRANKCASE ASSY | 1 | |
| 2 | JN6-15155-00-00 | . NOZZLE 3 | 1 | |
| 3 | JR7-15407-00-00 | ELEMENT 1 | 1 | |
| 4 | JR7-15123-00-00 | PLATE, BUFFLE 1 | 1 | |
| 5 | 90159-06107-00 | SCREW, WITH WASHER | 1 | |
| 6 | 93306-30709-00 | BEARING | 1 | |
| 7 | 93102-35014-00 | OIL SEAL | 1 | |
| 8 | 93306-20201-00 | BEARING (B6202) | 1 | |
| 9 | 90340-12097-00 | PLUG, STRAIGHT SCREW | 1 | |
| 10 | 812-11198-00-00 | GASKET | 1 | |
| 11 | 99530-08016-00 | PIN, DOWEL | 2 | |
| 12 | JN6-15411-00-00 | COVER, CRANKCASE 1 | 1 | |
| 13 | 93306-20714-00 | BEARING | 1 | |
| 14 | 93102-35014-00 | OIL SEAL | 1 | |
| 15 | 93306-20201-00 | BEARING (B6202) | 1 | |
| 16 | JN6-15451-02-00 | GASKET, CRANKCASE COVER 1 | 1 | |
| 17 | 95817-08045-00 | BOLT, FLANGE | 6 | |
| 18 | 95817-10050-00 | BOLT, FLANGE | 2 | |
| 19 | 796-15363-01-00 | PLUG, OIL | 1 | |
| 20 | 93210-22344-00 | O-RING | 1 | |
| 21 | J38-15361-00-00 | GAUGE, LEVEL | 1 | |

CONTENTS

| | |
|------------------------|--------|
| ACCELERATOR | C1 |
| AIR SHROUD FAN | A8 |
| BODY | C11-12 |
| BODY 2 | D1 |
| BODY FITTING | D2 |
| BRAKE | B9-10 |
| BRAKE 2 | B11 |
| BRAKE 3 | B12 |
| BUMPER | C10 |
| CAMSHAFT VALVE | A7 |
| CARBURETOR | A10 |
| CARRIER | D3 |
| CRANKCASE | A12 |
| CRANKSHAFT PISTON | A6 |
| CYLINDER HEAD | A5 |
| ELECTRICAL 1 | D8 |
| ELECTRICAL 2 | D9-10 |
| ENGINE ASSEMBLY | A4 |
| ENGINE BRACKET | B1 |
| EXHAUST | A11 |
| FRAME | B3 |
| FRONT SUSPENSION WHEEL | B4-5 |
| FUEL TANK | B8 |
| GOVERNOR | C2 |
| HEADLIGHT | D7 |
| INTAKE | A9 |
| PRIMARY SHEAVE | C3 |
| REAR ARM SUSPENSION | B2 |
| REAR AXLE MOUNT WHEEL | C8 |
| SEAT | D4 |
| SECONDARY SHEAVE | C4 |
| SHIFTER CABLES | C9 |
| STARTING MOTOR | D5-6 |
| STEERING | B6-7 |
| TRANSMISSION 1 | C5-7 |



JR91010-9080

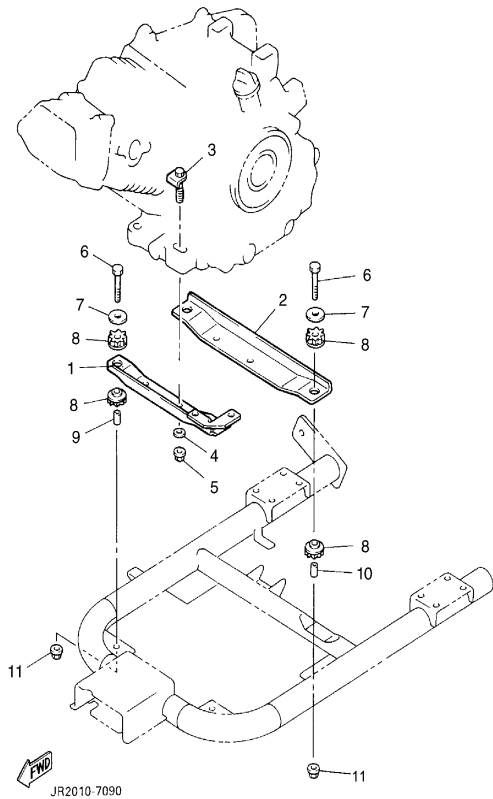
A12

ENGINE BRACKET

| Ref. No. | Part Number | Description | Qty | Remarks |
|----------|-----------------|-------------------------|-----|---------|
| 1 | JN6-F1411-00-00 | BRACKET, ENGINE 1 | 1 | |
| 2 | JN6-F1419-02-00 | BRACKET, ENGINE 2 | 1 | |
| 3 | JN6-F1481-00-00 | BOLT, ENGINE MOUNTING 1 | 4 | |
| 4 | 9290P-10200-00 | WASHER | 4 | |
| 5 | 9560P-10200-00 | NUT, FLANGE | 4 | |
| 6 | 90101-08870-00 | BOLT | 4 | |
| 7 | 90201-088K6-00 | WASHER, PLATE | 4 | |
| 8 | JN6-F1486-10-00 | DAMPER 2 | 8 | |
| 9 | JN6-F1459-00-00 | SPACER | 2 | |
| 10 | JN6-F1459-10-00 | SPACER | 2 | |
| 11 | 90179-08885-00 | NUT | 4 | |

CONTENTS

| | |
|------------------------|--------|
| ACCELERATOR | C1 |
| AIR SHROUD FAN | A8 |
| BODY | C11-12 |
| BODY FITTING | D1 |
| BRAKE | D2 |
| BRAKE 2 | B9-10 |
| BRAKE 3 | B11 |
| BUMPER | B12 |
| CAMSHAFT VALVE | C10 |
| CARBURETOR | A7 |
| CARRIER | A10 |
| CRANKCASE | D3 |
| CRANKSHAFT PISTON | A12 |
| CYLINDER HEAD | A6 |
| ELECTRICAL 1 | A5 |
| ELECTRICAL 2 | D8 |
| ENGINE ASSEMBLY | D9-10 |
| ENGINE BRACKET | A4 |
| EXHAUST | B1 |
| FRAME | A11 |
| FRONT SUSPENSION WHEEL | B3 |
| FUEL TANK | B4-5 |
| GOVERNOR | B8 |
| HEADLIGHT | C2 |
| INTAKE | D7 |
| PRIMARY SHEAVE | A9 |
| REAR ARM SUSPENSION | C3 |
| REAR AXLE MOUNT WHEEL | B2 |
| SEAT | C8 |
| SECONDARY SHEAVE | D4 |
| SHIFTER CABLES | C4 |
| STARTING MOTOR | C9 |
| STEERING | D5-6 |
| TRANSMISSION 1 | B6-7 |
| | C5-7 |

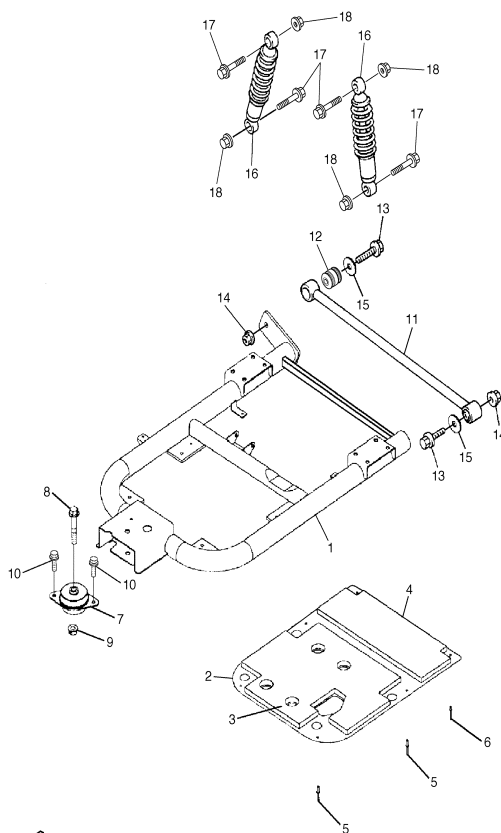


REAR ARM SUSPENSION

| Ref. No. | Part Number | Description | Qty | Remarks |
|----------|-----------------|-----------------------------------|-----|---------|
| 1 | JU7-F2110-00-00 | REAR ARM COMP. | 1 | |
| 2 | JN6-F2128-01-00 | COVER, THRUST 1 | 1 | |
| 3 | JN6-F211E-01-00 | PANEL, INNER 1 | 1 | |
| 4 | JN6-F211G-01-00 | PANEL, INNER 2 | 1 | |
| 5 | 90267-48850-00 | RIVET, BLIND | 4 | |
| 6 | 90267-40851-00 | RIVET, BLIND | 2 | |
| 7 | JN6-F2123-10-00 | BUSH 1 | 1 | |
| 8 | 90105-13864-00 | BOLT, FLANGE | 1 | |
| 9 | 90179-13878-00 | NUT | 1 | |
| 10 | 9751P-10620-00 | BOLT, WITH WASHER | 2 | |
| 11 | JN6-F217G-00-00 | ROD, CONNECTING 2 | 1 | |
| 12 | JN6-F2124-10-00 | BUSH 2 | 2 | |
| 13 | 9581P-12065-00 | BOLT, FLANGE | 2 | |
| 14 | 9560P-12200-00 | NUT, FLANGE | 2 | |
| 15 | 90201-128S4-00 | WASHER, PLATE | 2 | |
| 16 | JU7-F2210-00-00 | SHOCK ABSORBER ASSY, REAR | 2 | |
| 17 | 95807-10055-00 | BOLT, FLANGE | 4 | |
| 18 | 95607-10200-00 | NUT, U FLANGE | 4 | |

CONTENTS

| | |
|------------------------|--------|
| ACCELERATOR | C1 |
| AIR SHROUD FAN | A8 |
| BODY | C11-12 |
| BODY 2 | D1 |
| BODY FITTING | D2 |
| BRAKE | B9-10 |
| BRAKE 2 | B11 |
| BRAKE 3 | B12 |
| BUMPER | C10 |
| CAMSHAFT VALVE | A7 |
| CARBURETOR | A10 |
| CARRIER | D3 |
| CRANKCASE | A12 |
| CRANKSHAFT PISTON | A6 |
| CYLINDER HEAD | A5 |
| ELECTRICAL 1 | D8 |
| ELECTRICAL 2 | D9-10 |
| ENGINE ASSEMBLY | A4 |
| ENGINE BRACKET | B1 |
| EXHAUST | A11 |
| FRAME | B3 |
| FRONT SUSPENSION WHEEL | B4-5 |
| FUEL TANK | B8 |
| GOVERNOR | C2 |
| HEADLIGHT | D7 |
| INTAKE | A9 |
| PRIMARY SHEAVE | C3 |
| REAR ARM SUSPENSION | B2 |
| REAR AXLE MOUNT WHEEL | C8 |
| SEAT | D4 |
| SECONDARY SHEAVE | C4 |
| SHIFTER CABLES | C9 |
| STARTING MOTOR | D5-6 |
| STEERING | B6-7 |
| TRANSMISSION 1 | C5-7 |



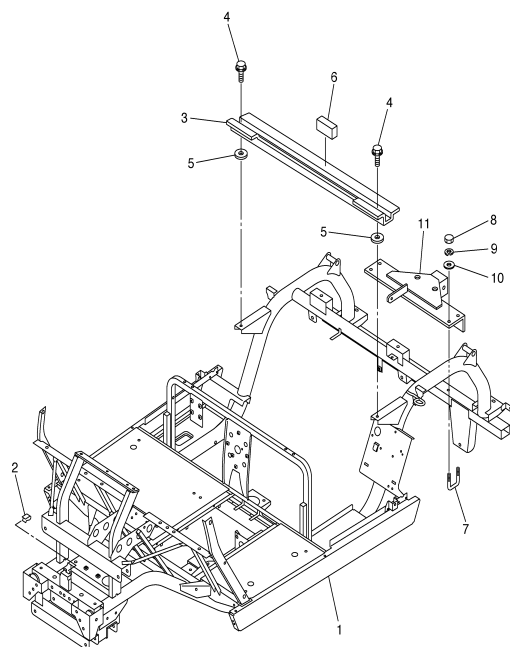
JW41110-C110

FRAME

| Ref. No. | Part Number | Description | Qty | Remarks |
|----------|-----------------|--------------------------|-----|---------|
| 1 | JU7-F2501-00-00 | FRAME COMP. | 1 | |
| 2 | JU0-F2567-00-00 | SUPPORT 1 | 1 | |
| 3 | JU0-F254R-00-00 | SUPPORT, BODY MOUNTING . | 1 | |
| 4 | 9582P-08020-00 | BOLT, FLANGE | 2 | |
| 5 | 90201-088S1-00 | WASHER, PLATE | 2 | |
| 6 | JU7-F4145-00-00 | DAMPER, SIDE COVER | 1 | |
| 7 | 90109-10862-00 | BOLT | 2 | |
| 8 | 90170-10847-00 | NUT | 4 | |
| 9 | 9290P-10100-00 | WASHER | 4 | |
| 10 | 9290P-10200-00 | WASHER | 4 | |
| 11 | JW4-F722B-00-00 | BAR, TOW | 1 | |

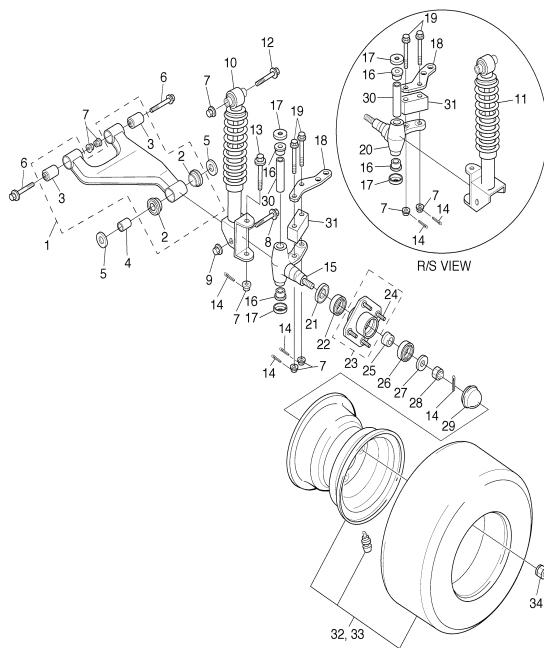
CONTENTS

| | |
|------------------------|--------|
| ACCELERATOR | C1 |
| AIR SHROUD FAN | A8 |
| BODY | C11-12 |
| BODY 2 | D1 |
| BODY FITTING | D2 |
| BRAKE | B9-10 |
| BRAKE 2 | B11 |
| BRAKE 3 | B12 |
| BUMPER | C10 |
| CAMSHAFT VALVE | A7 |
| CARBURETOR | A10 |
| CARRIER | D3 |
| CRANKCASE | A12 |
| CRANKSHAFT PISTON | A6 |
| CYLINDER HEAD | A5 |
| ELECTRICAL 1 | D8 |
| ELECTRICAL 2 | D9-10 |
| ENGINE ASSEMBLY | A4 |
| ENGINE BRACKET | B1 |
| EXHAUST | A11 |
| FRAME | B3 |
| FRONT SUSPENSION WHEEL | B4-5 |
| FUEL TANK | B8 |
| GOVERNOR | C2 |
| HEADLIGHT | D7 |
| INTAKE | A9 |
| PRIMARY SHEAVE | C3 |
| REAR ARM SUSPENSION | B2 |
| REAR AXLE MOUNT WHEEL | C8 |
| SEAT | D4 |
| SECONDARY SHEAVE | C4 |
| SHIFTER CABLES | C9 |
| STARTING MOTOR | D5-6 |
| STEERING | B6-7 |
| TRANSMISSION 1 | C5-7 |



JU71110-C120

FRONT SUSPENSION WHEEL



| Ref. No. | Part Number | Description | Qty | Remarks |
|----------|-----------------|---------------------------------|-----|---------|
| 1 | JU0-F3570-20-00 | FRONT LOWER ARM COMP. | 2 | |
| 2 | 90381-18001-00 | . .BUSH, SOLID | 2 | |
| 3 | 2HR-23526-00-00 | . .BUSH | 2 | |
| 4 | 90387-12016-00 | COLLAR | 2 | |
| 5 | 401-22128-01-00 | COVER, THRUST 1 | 4 | |
| 6 | 90105-10890-00 | BOLT, FLANGE | 4 | |
| 7 | 95607-10200-00 | NUT, U FLANGE | 12 | |
| 8 | 95817-12080-00 | BOLT, FLANGE | 2 | |
| 9 | 9561P-12100-00 | NUT | 2 | |
| 10 | JU7-F3350-00-00 | SHOCK ABSORBER ASSY | 1 | LH |
| 11 | JU7-F3390-00-00 | SHOCK ABSORBER ASSY 2 | 1 | RH |
| 12 | 95807-10065-00 | BOLT, FLANGE | 2 | |
| 13 | 90105-10064-00 | BOLT, FLANGE | 2 | |
| 14 | 91401-25020-00 | PIN, COTTER | 8 | |
| 15 | JU0-F3511-00-00 | KNUCKLE, STEERING 1 | 1 | |
| 16 | 90381-17067-00 | .BUSH, SOLID | 4 | |
| 17 | 2NL-23517-00-00 | COVER, THRUST 1 | 4 | |
| 18 | JU7-F3512-00-00 | ARM, KNUCKLE 1 | 2 | |
| 19 | 90105-10774-00 | BOLT, FLANGE | 4 | |
| 20 | JU0-F3521-00-00 | KNUCKLE, STEERING 2 | 1 | |
| 21 | 93102-30083-00 | OIL SEAL | 2 | |
| 22 | 93306-204X0-00 | BEARING | 2 | |
| 23 | JG5-WF511-10-00 | HUB, FRONT | 2 | |
| 24 | 90114-12800-00 | . .BOLT, SERRATION | 4 | |
| 25 | 90387-241M7-00 | COLLAR | 2 | |
| 26 | 93306-005Y3-00 | BEARING | 2 | |
| 27 | 90209-32832-00 | WASHER | 2 | |
| 28 | 95607-14100-00 | NUT, U | 2 | |
| 29 | JN6-F5118-00-00 | COVER, HUB DUST | 2 | |
| 30 | 2NL-23448-00-00 | SPACER | 2 | |

CONTENTS

| | |
|------------------------|--------|
| ACCELERATOR | C1 |
| AIR SHROUD FAN | A8 |
| BODY | C11-12 |
| BODY 2 | D1 |
| BODY FITTING | D2 |
| BRAKE | B9-10 |
| BRAKE 2 | B11 |
| BRAKE 3 | B12 |
| BUMPER | C10 |
| CAMSHAFT VALVE | A7 |
| CARBURETOR | A10 |
| CARRIER | D3 |
| CRANKCASE | A12 |
| CRANKSHAFT PISTON | A6 |
| CYLINDER HEAD | A5 |
| ELECTRICAL 1 | D8 |
| ELECTRICAL 2 | D9-10 |
| ENGINE ASSEMBLY | A4 |
| ENGINE BRACKET | B1 |
| EXHAUST | A11 |
| FRAME | B3 |
| FRONT SUSPENSION WHEEL | B4-5 |
| FUEL TANK | B8 |
| GOVERNOR | C2 |
| HEADLIGHT | D7 |
| INTAKE | A9 |
| PRIMARY SHEAVE | C3 |
| REAR ARM SUSPENSION | B2 |
| REAR AXLE MOUNT WHEEL | C8 |
| SEAT | D4 |
| SECONDARY SHEAVE | C4 |
| SHIFTER CABLES | C9 |
| STARTING MOTOR | D5-6 |
| STEERING | B6-7 |
| TRANSMISSION 1 | C5-7 |

CONTINUED ON NEXT FRAME ►



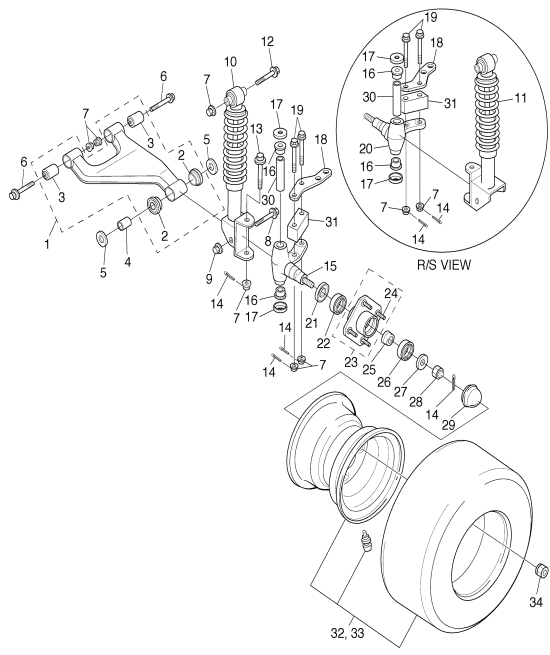
JW41110-C130

FRONT SUSPENSION WHEEL

| Ref. No. | Part Number | Description | Qty | Remarks |
|----------|-----------------|--------------------------------|-----|--------------------|
| 31 | JU7-F3118-00-00 | SPACER | 2 | |
| 32 | JU7-F5100-00-00 | WHEEL ASSY (20X10-8 4PLY 224) | 1 | UR DURO TURF, LH |
| | JU7-F5100-10-00 | WHEEL ASSY (20X10-8/4/244) | 1 | UR DURO DESERT, LH |
| 33 | JU7-F5100-00-00 | WHEEL ASSY (20X10-8 4PLY 224) | 1 | UR DURO TURF, RH |
| | JU7-F5109-10-00 | WHEEL ASSY., 2 (20X10-8/4/244) | 1 | UR DURO DESERT, RH |
| 34 | 90179-12262-00 | NUT | 8 | |

CONTENTS

| | |
|------------------------|--------|
| ACCELERATOR | C1 |
| AIR SHROUD FAN | A8 |
| BODY | C11-12 |
| BODY 2 | D1 |
| BODY FITTING | D2 |
| BRAKE | B9-10 |
| BRAKE 2 | B11 |
| BRAKE 3 | B12 |
| BUMPER | C10 |
| CAMSHAFT VALVE | A7 |
| CARBURETOR | A10 |
| CARRIER | D3 |
| CRANKCASE | A12 |
| CRANKSHAFT PISTON | A6 |
| CYLINDER HEAD | A5 |
| ELECTRICAL 1 | D8 |
| ELECTRICAL 2 | D9-10 |
| ENGINE ASSEMBLY | A4 |
| ENGINE BRACKET | B1 |
| EXHAUST | A11 |
| FRAME | B3 |
| FRONT SUSPENSION WHEEL | B4-5 |
| FUEL TANK | B8 |
| GOVERNOR | C2 |
| HEADLIGHT | D7 |
| INTAKE | A9 |
| PRIMARY SHEAVE | C3 |
| REAR ARM SUSPENSION | B2 |
| REAR AXLE MOUNT WHEEL | C8 |
| SEAT | D4 |
| SECONDARY SHEAVE | C4 |
| SHIFTER CABLES | C9 |
| STARTING MOTOR | D5-6 |
| STEERING | B6-7 |
| TRANSMISSION 1 | C5-7 |



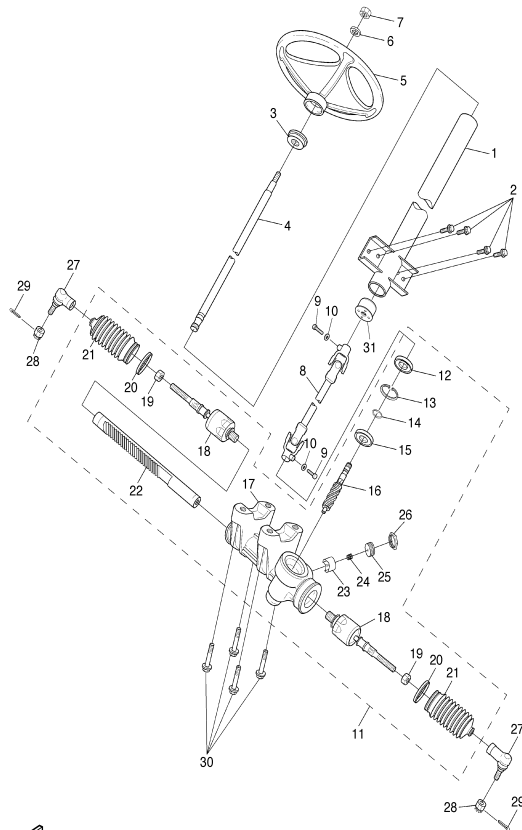
 JW41110-C130

STEERING

| Ref. No. | Part Number | Description | Qty | Remarks |
|----------|-----------------|----------------------|-----|---------|
| 1 | JU0-F3811-00-00 | COLUMN, STEERING | 1 | |
| 2 | 9581P-08016-00 | BOLT, FLANGE | 4 | |
| 3 | JN3-F3814-00-00 | HOLDER, HANDLE UPPER | 1 | |
| 4 | JU0-F3828-00-00 | ROD, STEERING | 1 | |
| 5 | JN3-F3838-00-00 | WHEEL, STEERING | 1 | |
| 6 | 9290P-12200-00 | WASHER | 1 | |
| 7 | 90185-12061-00 | NUT, SELF-LOCKING | 1 | |
| 8 | JU0-F3822-00-00 | JOINT 1 | 1 | |
| 9 | 97017-08030-00 | BOLT | 2 | |
| 10 | 92907-08600-00 | .WASHER, PLATE | 2 | |
| 11 | JU7-F3400-00-00 | STEERING ASSY | 1 | |
| 12 | JU0-F3844-00-00 | .SEAL | 1 | |
| 13 | JU0-F387J-00-00 | .RING, STOPPER | 1 | |
| 14 | JU0-F3183-00-00 | .CIRCLIP | 1 | |
| 15 | JU0-F339Y-00-00 | .BEARING | 1 | |
| 16 | JU0-F387A-00-00 | .GEAR, PINION | 1 | |
| 17 | JU0-F620A-01-00 | .HOUSING COMP. | 1 | |
| 18 | JU7-F3837-00-00 | .ROD, TIE 2 | 2 | |
| 19 | JU0-F3833-00-00 | .NUT 1 | 2 | |
| 20 | JU0-F1338-00-00 | .CLAMP | 2 | |
| 21 | JU0-F3848-00-00 | .BOOT | 2 | |
| 22 | JU0-F387E-00-00 | .GEAR, RACK | 1 | |
| 23 | JU0-F387F-00-00 | .PAD, PRESSURE | 1 | |
| 24 | JU0-F387K-00-00 | .SPRING, PRESSURE | 1 | |
| 25 | JU0-F387G-00-00 | .COVER, ADJUST | 1 | |
| 26 | JU0-F3834-00-00 | .NUT 2 | 1 | |
| 27 | JU0-F3841-00-00 | JOINT, UNIVERSAL 1 | 2 | |
| 28 | 95607-12200-00 | NUT, SELF-LOCKING | 2 | |
| 29 | 91401-25020-00 | PIN, COTTER | 2 | |
| 30 | 90105-10810-00 | BOLT, FLANGE | 4 | |

CONTENTS

| | |
|------------------------|--------|
| ACCELERATOR | C1 |
| AIR SHROUD FAN | A8 |
| BODY | C11-12 |
| BODY 2 | D1 |
| BODY FITTING | D2 |
| BRAKE | B9-10 |
| BRAKE 2 | B11 |
| BRAKE 3 | B12 |
| BUMPER | C10 |
| CAMSHAFT VALVE | A7 |
| CARBURETOR | A10 |
| CARRIER | D3 |
| CRANKCASE | A12 |
| CRANKSHAFT PISTON | A6 |
| CYLINDER HEAD | A5 |
| ELECTRICAL 1 | D8 |
| ELECTRICAL 2 | D9-10 |
| ENGINE ASSEMBLY | A4 |
| ENGINE BRACKET | B1 |
| EXHAUST | A11 |
| FRAME | B3 |
| FRONT SUSPENSION WHEEL | B4-5 |
| FUEL TANK | B8 |
| GOVERNOR | C2 |
| HEADLIGHT | D7 |
| INTAKE | A9 |
| PRIMARY SHEAVE | C3 |
| REAR ARM SUSPENSION | B2 |
| REAR AXLE MOUNT WHEEL | C8 |
| SEAT | D4 |
| SECONDARY SHEAVE | C4 |
| SHIFTER CABLES | C9 |
| STARTING MOTOR | D5-6 |
| STEERING | B6-7 |
| TRANSMISSION 1 | C5-7 |



JU71110-C140

CONTINUED ON NEXT FRAME ►

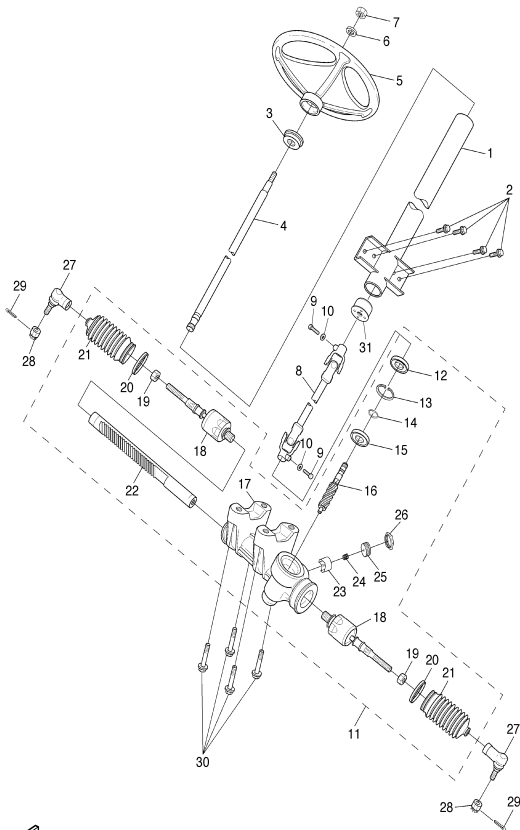
STEERING

| Ref. No. | Part Number | Description | Qty | Remarks |
|----------|-------------|-------------|-----|---------|
|----------|-------------|-------------|-----|---------|

| | | | | |
|----|-----------------|--------------|---|--|
| 31 | JU0-F3857-00-00 | HOLDER | 1 | |
|----|-----------------|--------------|---|--|

CONTENTS

| | |
|------------------------|--------|
| ACCELERATOR | C1 |
| AIR SHROUD FAN | A8 |
| BODY | C11-12 |
| BODY 2 | D1 |
| BODY FITTING | D2 |
| BRAKE | B9-10 |
| BRAKE 2 | B11 |
| BRAKE 3 | B12 |
| BUMPER | C10 |
| CAMSHAFT VALVE | A7 |
| CARBURETOR | A10 |
| CARRIER | D3 |
| CRANKCASE | A12 |
| CRANKSHAFT PISTON | A6 |
| CYLINDER HEAD | A5 |
| ELECTRICAL 1 | D8 |
| ELECTRICAL 2 | D9-10 |
| ENGINE ASSEMBLY | A4 |
| ENGINE BRACKET | B1 |
| EXHAUST | A11 |
| FRAME | B3 |
| FRONT SUSPENSION WHEEL | B4-5 |
| FUEL TANK | B8 |
| GOVERNOR | C2 |
| HEADLIGHT | D7 |
| INTAKE | A9 |
| PRIMARY SHEAVE | C3 |
| REAR ARM SUSPENSION | B2 |
| REAR AXLE MOUNT WHEEL | C8 |
| SEAT | D4 |
| SECONDARY SHEAVE | C4 |
| SHIFTER CABLES | C9 |
| STARTING MOTOR | D5-6 |
| STEERING | B6-7 |
| TRANSMISSION 1 | C5-7 |



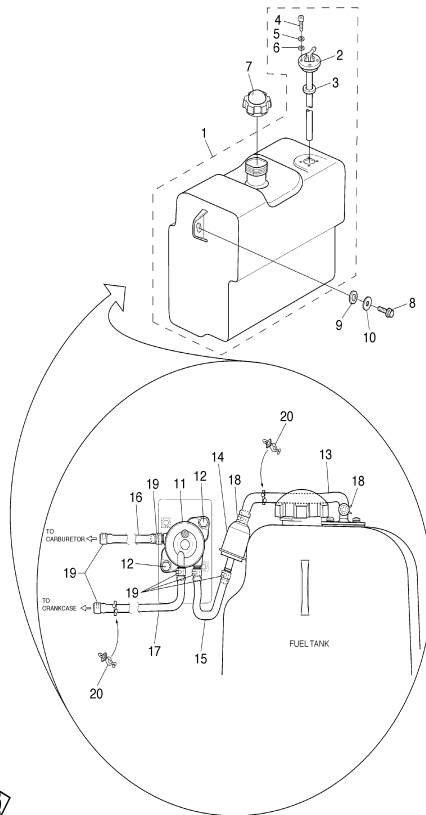
JU71110-C140

FUEL TANK

| Ref. No. | Part Number | Description | Qty | Remarks |
|----------|-----------------|------------------------|-----|---------|
| 1 | JN6-F4110-01-00 | FUEL TANK COMP. | 1 | |
| 2 | JN3-F4300-02-00 | . FUEL PIPE JOINT | 1 | |
| 3 | 93210-228C4-00 | . O-RING | 1 | |
| 4 | 98507-05014-00 | . SCREW, PAN HEAD | 4 | |
| 5 | 92907-05100-00 | . WASHER, SPRING | 4 | |
| 6 | 92907-05600-00 | . WASHER, PLATE | 4 | |
| 7 | JN6-F4610-00-00 | CAP ASSY | 1 | |
| 8 | 90105-08878-00 | BOLT, FLANGE | 2 | |
| 9 | 90560-08251-00 | SPACER | 2 | |
| 10 | 90201-088S2-00 | WASHER, PLATE | 2 | |
| 11 | JN6-F4410-10-00 | FUEL PUMP ASSY | 1 | |
| 12 | JN6-F3394-00-00 | BOLT, SPECIAL | 2 | |
| 13 | JN6-F4312-20-00 | PIPE 2 | 1 | |
| 14 | JN6-F4560-00-00 | FILTER ASSY | 1 | |
| 15 | JN6-F4311-20-00 | PIPE, FUEL 1 | 1 | |
| 16 | JN6-F4313-20-00 | PIPE 3 | 1 | |
| 17 | JU7-F4314-00-00 | PIPE 4 | 1 | |
| 18 | 90467-12845-00 | CLIP | 2 | |
| 19 | 90467-10846-00 | CLIP | 6 | |
| 20 | 90464-11816-00 | CLAMP | 2 | |

CONTENTS

| | |
|------------------------|--------|
| ACCELERATOR | C1 |
| AIR SHROUD FAN | A8 |
| BODY | C11-12 |
| BODY 2 | D1 |
| BODY FITTING | D2 |
| BRAKE | B9-10 |
| BRAKE 2 | B11 |
| BRAKE 3 | B12 |
| BUMPER | C10 |
| CAMSHAFT VALVE | A7 |
| CARBURETOR | A10 |
| CARRIER | D3 |
| CRANKCASE | A12 |
| CRANKSHAFT PISTON | A6 |
| CYLINDER HEAD | A5 |
| ELECTRICAL 1 | D8 |
| ELECTRICAL 2 | D9-10 |
| ENGINE ASSEMBLY | A4 |
| ENGINE BRACKET | B1 |
| EXHAUST | A11 |
| FRAME | B3 |
| FRONT SUSPENSION WHEEL | B4-5 |
| FUEL TANK | B8 |
| GOVERNOR | C2 |
| HEADLIGHT | D7 |
| INTAKE | A9 |
| PRIMARY SHEAVE | C3 |
| REAR ARM SUSPENSION | B2 |
| REAR AXLE MOUNT WHEEL | C8 |
| SEAT | D4 |
| SECONDARY SHEAVE | C4 |
| SHIFTER CABLES | C9 |
| STARTING MOTOR | D5-6 |
| STEERING | B6-7 |
| TRANSMISSION 1 | C5-7 |



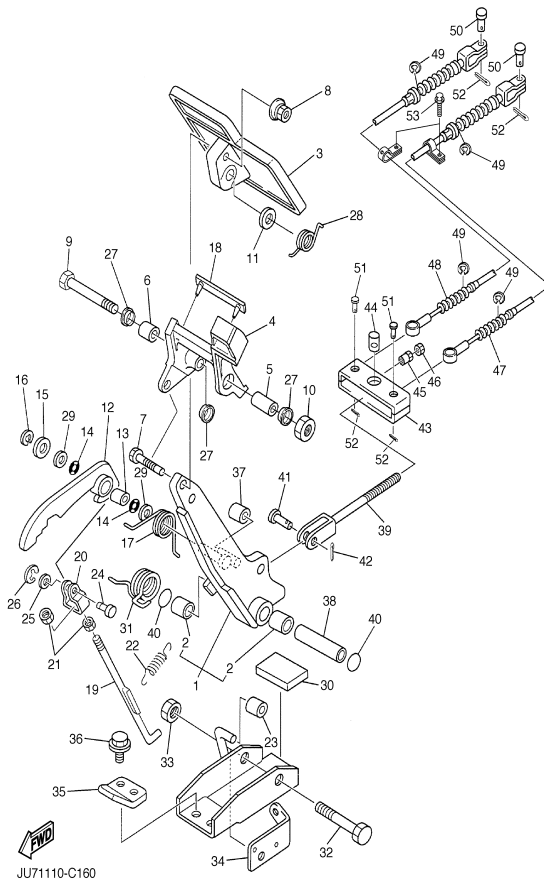
JW41110-C150

BRAKE

| Ref. No. | Part Number | Description | Qty | Remarks |
|----------|-----------------|----------------------------|-----|---------|
| 1 | J46-27250-03-00 | BRAKE ARM COMP. | 1 | |
| 2 | 90384-14080-00 | . BUSH, BIMETAL FORMED ... | 2 | |
| 3 | JU0-27211-01-00 | PEDAL, BRAKE | 1 | |
| 4 | JU0-25671-00-00 | PEDAL, PARKING BRAKE | 1 | |
| 5 | 90387-08014-00 | COLLAR | 1 | |
| 6 | 90387-08013-00 | COLLAR | 1 | |
| 7 | 97027-06035-00 | BOLT | 1 | |
| 8 | 90179-07564-00 | NUT | 1 | |
| 9 | 97027-08100-00 | BOLT | 1 | |
| 10 | 95307-08600-00 | NUT | 1 | |
| 11 | 92907-08200-00 | WASHER | 1 | |
| 12 | J17-25666-02-00 | SECTOR, PARKING BRAKE .. | 1 | |
| 13 | 90384-10162-00 | BUSH, BIMETAL FORMED | 1 | |
| 14 | J17-27221-00-00 | SEAL, SHAFT | 2 | |
| 15 | 92907-10600-00 | WASHER, PLATE | 1 | |
| 16 | 99001-07600-00 | CIRCLIP | 1 | |
| 17 | 90508-14548-00 | SPRING, TORSION | 1 | |
| 18 | J17-25672-01-00 | PAD, PARKING PEDAL | 1 | |
| 19 | J17-27231-03-00 | ROD, BRAKE | 1 | |
| 20 | J17-27232-00-00 | END, ROD 2 | 1 | |
| 21 | 95307-06700-00 | NUT | 2 | |
| 22 | 90506-09001-00 | SPRING, TENSION | 1 | |
| 23 | J17-25673-00-00 | DAMPER, BRAKE | 1 | |
| 24 | J17-27228-00-00 | PIN, JOINT | 1 | |
| 25 | 92907-05600-00 | WASHER, PLATE | 1 | |
| 26 | 99001-04600-00 | CIRCLIP | 1 | |
| 27 | 90387-12009-00 | COLLAR | 3 | |
| 28 | 90508-32015-00 | SPRING, TORSION | 1 | |
| 29 | 90201-104G8-00 | WASHER, PLATE | 2 | |
| 30 | JN3-F7245-00-00 | PAD, BRAKE PEDAL | 1 | |

CONTENTS

| | |
|------------------------|--------|
| ACCELERATOR | C1 |
| AIR SHROUD FAN | A8 |
| BODY | C11-12 |
| BODY 2 | D1 |
| BODY FITTING | D2 |
| BRAKE | B9-10 |
| BRAKE 2 | B11 |
| BRAKE 3 | B12 |
| BUMPER | C10 |
| CAMSHAFT VALVE | A7 |
| CARBURETOR | A10 |
| CARRIER | D3 |
| CRANKCASE | A12 |
| CRANKSHAFT PISTON | A6 |
| CYLINDER HEAD | A5 |
| ELECTRICAL 1 | D8 |
| ELECTRICAL 2 | D9-10 |
| ENGINE ASSEMBLY | A4 |
| ENGINE BRACKET | B1 |
| EXHAUST | A11 |
| FRAME | B3 |
| FRONT SUSPENSION WHEEL | B4-5 |
| FUEL TANK | B8 |
| GOVERNOR | C2 |
| HEADLIGHT | D7 |
| INTAKE | A9 |
| PRIMARY SHEAVE | C3 |
| REAR ARM SUSPENSION | B2 |
| REAR AXLE MOUNT WHEEL | C8 |
| SEAT | D4 |
| SECONDARY SHEAVE | C4 |
| SHIFTER CABLES | C9 |
| STARTING MOTOR | D5-6 |
| STEERING | B6-7 |
| TRANSMISSION 1 | C5-7 |



JU71110-C160

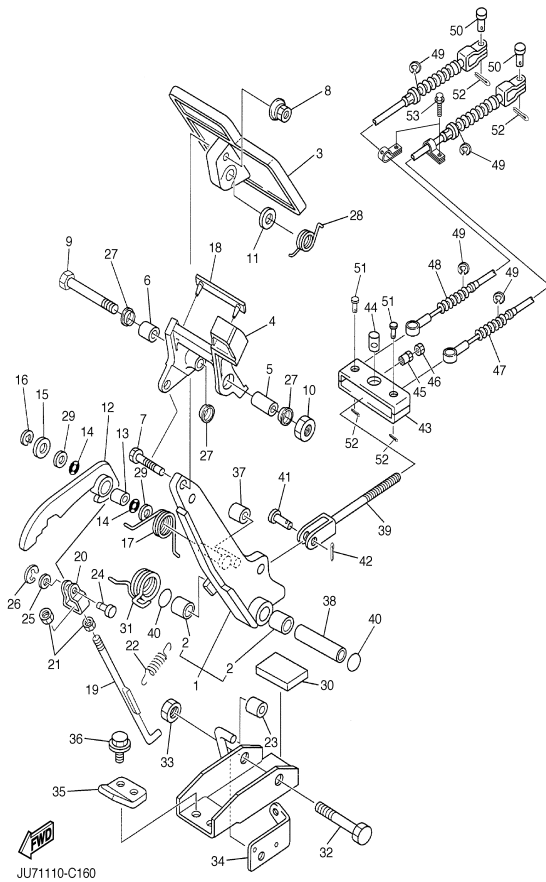
CONTINUED ON NEXT FRAME ►

BRAKE

| Ref. No. | Part Number | Description | Qty | Remarks |
|----------|-----------------|------------------|-----|---------|
| 31 | 90508-40007-00 | SPRING, TORSION | 1 | |
| 32 | 90101-10884-00 | BOLT | 1 | |
| 33 | 95607-10200-00 | NUT, U FLANGE | 1 | |
| 34 | J55-2252M-00-00 | BRACKET, 3 | 1 | |
| 35 | J17-27246-00-00 | NAIL, BRAKE | 1 | |
| 36 | 90105-08878-00 | BOLT, FLANGE | 2 | |
| 37 | J17-25673-00-00 | DAMPER, BRAKE | 1 | |
| 38 | 90387-107F8-00 | COLLAR | 1 | |
| 39 | JN6-F5685-00-00 | ROD | 1 | |
| 40 | 93210-132A8-00 | O-RING | 2 | |
| 41 | 91701-10022-00 | PIN, CLEVIS | 1 | |
| 42 | 91490-30015-00 | PIN, COTTER | 1 | |
| 43 | JN6-F5681-00-00 | EQUALIZER, BRAKE | 1 | |
| 44 | 90249-14129-00 | PIN | 1 | |
| 45 | 90179-08894-00 | NUT | 1 | |
| 46 | 95307-08700-00 | NUT | 1 | |
| 47 | JU7-F6341-00-00 | CABLE, BRAKE | 1 | |
| 48 | JU7-F6351-00-00 | CABLE, BRAKE | 1 | |
| 49 | 99001-09600-00 | CIRCLIP | 4 | |
| 50 | 91701-08018-00 | PIN, CLEVIS | 2 | |
| 51 | 91701-08026-00 | PIN, CLEVIS | 2 | |
| 52 | 91490-25015-00 | PIN, COTTER | 4 | |
| 53 | 90105-06876-00 | BOLT, FLANGE | 2 | |

CONTENTS

| | |
|------------------------|--------|
| ACCELERATOR | C1 |
| AIR SHROUD FAN | A8 |
| BODY | C11-12 |
| BODY 2 | D1 |
| BODY FITTING | D2 |
| BRAKE | B9-10 |
| BRAKE 2 | B11 |
| BRAKE 3 | B12 |
| BUMPER | C10 |
| CAMSHAFT VALVE | A7 |
| CARBURETOR | A10 |
| CARRIER | D3 |
| CRANKCASE | A12 |
| CRANKSHAFT PISTON | A6 |
| CYLINDER HEAD | A5 |
| ELECTRICAL 1 | D8 |
| ELECTRICAL 2 | D9-10 |
| ENGINE ASSEMBLY | A4 |
| ENGINE BRACKET | B1 |
| EXHAUST | A11 |
| FRAME | B3 |
| FRONT SUSPENSION WHEEL | B4-5 |
| FUEL TANK | B8 |
| GOVERNOR | C2 |
| HEADLIGHT | D7 |
| INTAKE | A9 |
| PRIMARY SHEAVE | C3 |
| REAR ARM SUSPENSION | B2 |
| REAR AXLE MOUNT WHEEL | C8 |
| SEAT | D4 |
| SECONDARY SHEAVE | C4 |
| SHIFTER CABLES | C9 |
| STARTING MOTOR | D5-6 |
| STEERING | B6-7 |
| TRANSMISSION 1 | C5-7 |



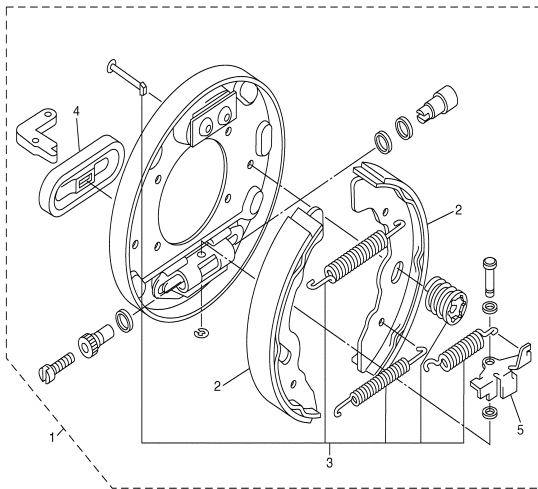
B10

BRAKE 2

| Ref. No. | Part Number | Description | Qty | Remarks |
|----------|-----------------|-----------------------|-----|---------|
| 1 | JN6-F7290-03-00 | BACKING PLATE ASSY 2 | 1 | (L.H) |
| 2 | JN6-F5331-01-00 | .SHOE, BRAKE 1 | 2 | |
| 3 | JN6-F819G-00-00 | .REPAIR PARTS KIT | 1 | |
| 4 | JN6-F7286-00-00 | .COVER, DUST | 1 | |
| 5 | JN6-F722E-00-00 | .LEVER, ADJUSTOR (LH) | 1 | |

CONTENTS

| | |
|------------------------|--------|
| ACCELERATOR | C1 |
| AIR SHROUD FAN | A8 |
| BODY | C11-12 |
| BODY 2 | D1 |
| BODY FITTING | D2 |
| BRAKE | B9-10 |
| BRAKE 2 | B11 |
| BRAKE 3 | B12 |
| BUMPER | C10 |
| CAMSHAFT VALVE | A7 |
| CARBURETOR | A10 |
| CARRIER | D3 |
| CRANKCASE | A12 |
| CRANKSHAFT PISTON | A6 |
| CYLINDER HEAD | A5 |
| ELECTRICAL 1 | D8 |
| ELECTRICAL 2 | D9-10 |
| ENGINE ASSEMBLY | A4 |
| ENGINE BRACKET | B1 |
| EXHAUST | A11 |
| FRAME | B3 |
| FRONT SUSPENSION WHEEL | B4-5 |
| FUEL TANK | B8 |
| GOVERNOR | C2 |
| HEADLIGHT | D7 |
| INTAKE | A9 |
| PRIMARY SHEAVE | C3 |
| REAR ARM SUSPENSION | B2 |
| REAR AXLE MOUNT WHEEL | C8 |
| SEAT | D4 |
| SECONDARY SHEAVE | C4 |
| SHIFTER CABLES | C9 |
| STARTING MOTOR | D5-6 |
| STEERING | B6-7 |
| TRANSMISSION 1 | C5-7 |



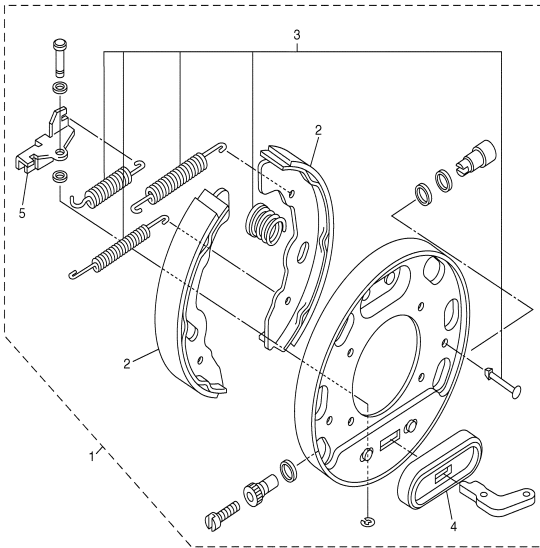
JT71010-B160

BRAKE 3

| Ref. No. | Part Number | Description | Qty | Remarks |
|----------|-----------------|-----------------------|-----|---------|
| 1 | JN6-F7280-03-00 | BACKING PLATE ASSY 1 | 1 | (R.H) |
| 2 | JN6-F5341-01-00 | .SHOE, BRAKE 2 | 2 | |
| 3 | JN6-F819G-00-00 | .REPAIR PARTS KIT | 1 | |
| 4 | JN6-F7286-00-00 | .COVER, DUST | 1 | |
| 5 | JN6-F722F-00-00 | .LEVER, ADJUSTOR (RH) | 1 | |

CONTENTS

| | |
|------------------------|--------|
| ACCELERATOR | C1 |
| AIR SHROUD FAN | A8 |
| BODY | C11-12 |
| BODY 2 | D1 |
| BODY FITTING | D2 |
| BRAKE | B9-10 |
| BRAKE 2 | B11 |
| BRAKE 3 | B12 |
| BUMPER | C10 |
| CAMSHAFT VALVE | A7 |
| CARBURETOR | A10 |
| CARRIER | D3 |
| CRANKCASE | A12 |
| CRANKSHAFT PISTON | A6 |
| CYLINDER HEAD | A5 |
| ELECTRICAL 1 | D8 |
| ELECTRICAL 2 | D9-10 |
| ENGINE ASSEMBLY | A4 |
| ENGINE BRACKET | B1 |
| EXHAUST | A11 |
| FRAME | B3 |
| FRONT SUSPENSION WHEEL | B4-5 |
| FUEL TANK | B8 |
| GOVERNOR | C2 |
| HEADLIGHT | D7 |
| INTAKE | A9 |
| PRIMARY SHEAVE | C3 |
| REAR ARM SUSPENSION | B2 |
| REAR AXLE MOUNT WHEEL | C8 |
| SEAT | D4 |
| SECONDARY SHEAVE | C4 |
| SHIFTER CABLES | C9 |
| STARTING MOTOR | D5-6 |
| STEERING | B6-7 |
| TRANSMISSION 1 | C5-7 |



JT71010-B170

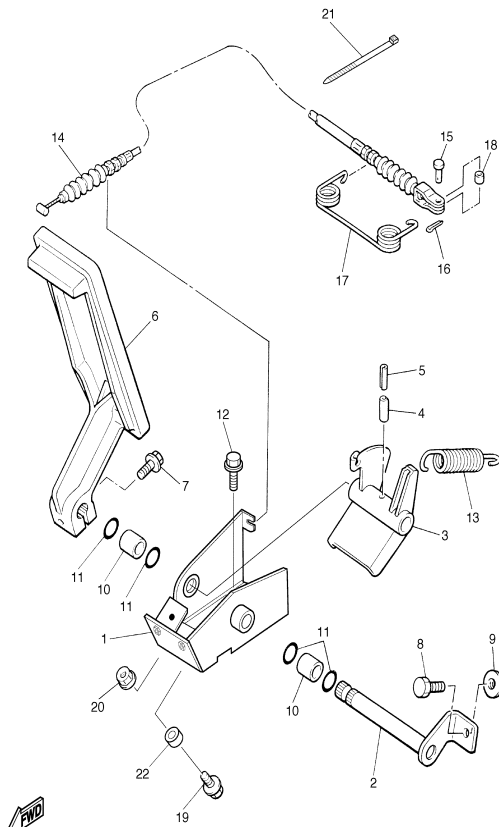
B12

ACCELERATOR

| Ref. No. | Part Number | Description | Qty | Remarks |
|----------|-----------------|----------------------------------|-----|---------|
| 1 | JN6-F7874-01-00 | BRACKET, ACCELERATOR PEDAL | 1 | |
| 2 | J17-27853-01-00 | SHAFT, PEDAL 1 | 1 | |
| 3 | J38-27872-00-00 | ARM, ACCELERATOR PEDAL . | 1 | |
| 4 | 91609-60028-00 | PIN, SPRING | 1 | |
| 5 | 91609-35028-00 | PIN, SPRING | 1 | |
| 6 | J10-27871-01-00 | PEDAL, ACCELERATOR | 1 | |
| 7 | 95807-06025-00 | BOLT, FLANGE | 1 | |
| 8 | 90106-08806-00 | BOLT | 1 | |
| 9 | 95707-08500-00 | .NUT, FLANGE | 1 | |
| 10 | 90384-14080-00 | BUSH, BIMETAL FORMED | 2 | |
| 11 | 93210-14104-00 | O-RING | 4 | |
| 12 | 90105-08878-00 | BOLT, FLANGE | 3 | |
| 13 | 90506-26282-00 | SPRING, TENSION | 1 | |
| 14 | JN3-F6311-00-00 | CABLE, THROTTLE 1 | 1 | |
| 15 | 91701-05012-00 | PIN, CLEVIS | 1 | |
| 16 | 90468-10049-00 | CLIP | 1 | |
| 17 | 90508-16460-00 | SPRING, TORSION | 1 | |
| 18 | 90560-05001-00 | SPACER | 1 | |
| 19 | 95807-06025-00 | BOLT, FLANGE | 1 | |
| 20 | 95707-06500-00 | NUT, FLANGE | 1 | |
| 21 | 90464-40825-00 | CLAMP | 2 | |
| 22 | 90387-068T4-00 | COLLAR | 1 | |

CONTENTS

| | |
|------------------------|--------|
| ACCELERATOR | C1 |
| AIR SHROUD FAN | A8 |
| BODY | C11-12 |
| BODY 2 | D1 |
| BODY FITTING | D2 |
| BRAKE | B9-10 |
| BRAKE 2 | B11 |
| BRAKE 3 | B12 |
| BUMPER | C10 |
| CAMSHAFT VALVE | A7 |
| CARBURETOR | A10 |
| CARRIER | D3 |
| CRANKCASE | A12 |
| CRANKSHAFT PISTON | A6 |
| CYLINDER HEAD | A5 |
| ELECTRICAL 1 | D8 |
| ELECTRICAL 2 | D9-10 |
| ENGINE ASSEMBLY | A4 |
| ENGINE BRACKET | B1 |
| EXHAUST | A11 |
| FRAME | B3 |
| FRONT SUSPENSION WHEEL | B4-5 |
| FUEL TANK | B8 |
| GOVERNOR | C2 |
| HEADLIGHT | D7 |
| INTAKE | A9 |
| PRIMARY SHEAVE | C3 |
| REAR ARM SUSPENSION | B2 |
| REAR AXLE MOUNT WHEEL | C8 |
| SEAT | D4 |
| SECONDARY SHEAVE | C4 |
| SHIFTER CABLES | C9 |
| STARTING MOTOR | D5-6 |
| STEERING | B6-7 |
| TRANSMISSION 1 | C5-7 |



JT71010-B180

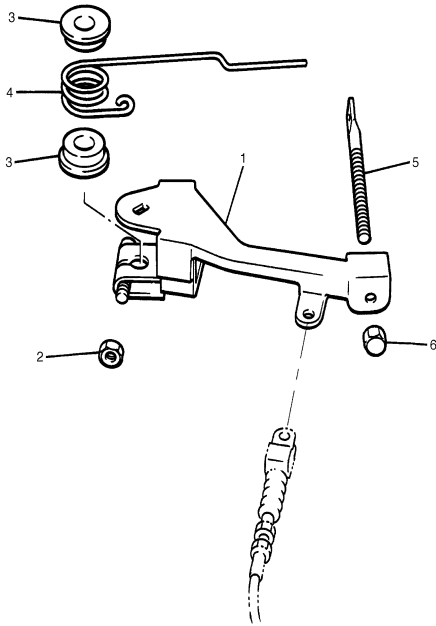
C1

GOVERNOR

| Ref. No. | Part Number | Description | Qty | Remarks |
|----------|-----------------|----------------------------|-----|---------|
| 1 | J38-27951-00-00 | LEVER, SPEED LIMITER | 1 | |
| 2 | 95307-06600-00 | NUT | 1 | |
| 3 | 90386-08141-00 | BUSH | 2 | |
| 4 | 90508-40678-00 | SPRING, TORSION | 1 | |
| 5 | J38-27959-00-00 | SCREW, ADJUSTING | 1 | |
| 6 | 9560P-06200-00 | NUT, FLANGE | 1 | |

CONTENTS

| | |
|------------------------|--------|
| ACCELERATOR | C1 |
| AIR SHROUD FAN | A8 |
| BODY | C11-12 |
| BODY 2 | D1 |
| BODY FITTING | D2 |
| BRAKE | B9-10 |
| BRAKE 2 | B11 |
| BRAKE 3 | B12 |
| BUMPER | C10 |
| CAMSHAFT VALVE | A7 |
| CARBURETOR | A10 |
| CARRIER | D3 |
| CRANKCASE | A12 |
| CRANKSHAFT PISTON | A6 |
| CYLINDER HEAD | A5 |
| ELECTRICAL 1 | D8 |
| ELECTRICAL 2 | D9-10 |
| ENGINE ASSEMBLY | A4 |
| ENGINE BRACKET | B1 |
| EXHAUST | A11 |
| FRAME | B3 |
| FRONT SUSPENSION WHEEL | B4-5 |
| FUEL TANK | B8 |
| GOVERNOR | C2 |
| HEADLIGHT | D7 |
| INTAKE | A9 |
| PRIMARY SHEAVE | C3 |
| REAR ARM SUSPENSION | B2 |
| REAR AXLE MOUNT WHEEL | C8 |
| SEAT | D4 |
| SECONDARY SHEAVE | C4 |
| SHIFTER CABLES | C9 |
| STARTING MOTOR | D5-6 |
| STEERING | B6-7 |
| TRANSMISSION 1 | C5-7 |



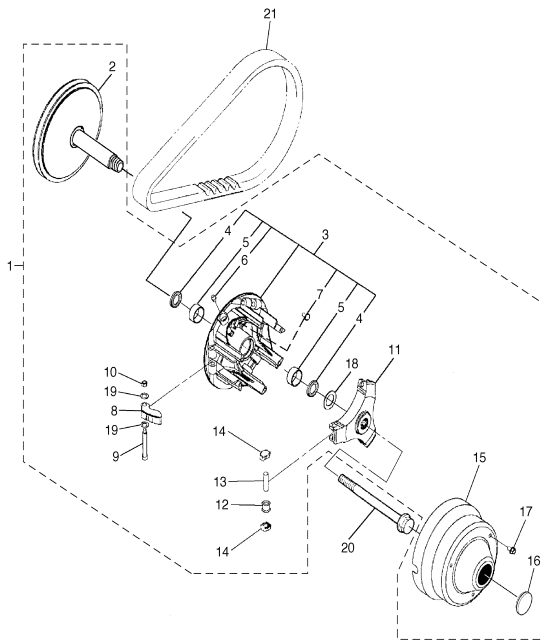
JT71010-B190

PRIMARY SHEAVE

| Ref. No. | Part Number | Description | Qty | Remarks |
|----------|-----------------|--------------------------------------|-----|---------|
| 1 | JN6-G6201-04-00 | PRIMARY FIXED SHEAVE ASSY | 1 | |
| 2 | JN6-G6210-00-00 | .. PRIMARY FIXED SHEAVE COMP. | 1 | |
| 3 | JN6-G6220-00-00 | .. PRIMARY SLIDING SHEAVE COMP. | 1 | |
| 4 | 93101-28831-00 | .. OIL SEAL | 2 | |
| 5 | 90384-27823-00 | .. BUSH, BIMETAL FORMED .. | 2 | |
| 6 | 93700-06810-00 | .. NIPPLE, GREASE | 1 | |
| 7 | 90338-04840-00 | .. PLUG | 3 | |
| 8 | JN6-G6232-01-00 | .. WEIGHT 1 | 3 | |
| 9 | 90109-06860-00 | .. BOLT | 3 | |
| 10 | 90185-06834-00 | .. NUT, SELF-LOCKING | 3 | |
| 11 | JN6-G6251-01-00 | .. SPIDER | 1 | |
| 12 | JN6-G6258-02-00 | .. COLLAR, ROLLER | 3 | |
| 13 | 93610-358A3-00 | .. PIN, DOWEL | 3 | |
| 14 | JN6-G6253-00-00 | .. SLIDER | 6 | |
| 15 | JU0-G6231-00-00 | .. CAP | 1 | |
| 16 | JU0-G6297-00-00 | .. COVER, DUST | 1 | |
| 17 | 90105-06861-00 | .. BOLT, FLANGE | 3 | |
| 18 | 90201-228K5-00 | .. WASHER, PLATE | 1 | |
| 19 | JN6-G621F-00-00 | .. SHIM, THRUST | 6 | |
| 20 | JN6-G6249-00-00 | BOLT | 1 | |
| 21 | J55-G6241-00-00 | V-BELT | 1 | |

CONTENTS

| | |
|------------------------|--------|
| ACCELERATOR | C1 |
| AIR SHROUD FAN | A8 |
| BODY | C11-12 |
| BODY 2 | D1 |
| BODY FITTING | D2 |
| BRAKE | B9-10 |
| BRAKE 2 | B11 |
| BRAKE 3 | B12 |
| BUMPER | C10 |
| CAMSHAFT VALVE | A7 |
| CARBURETOR | A10 |
| CARRIER | D3 |
| CRANKCASE | A12 |
| CRANKSHAFT PISTON | A6 |
| CYLINDER HEAD | A5 |
| ELECTRICAL 1 | D8 |
| ELECTRICAL 2 | D9-10 |
| ENGINE ASSEMBLY | A4 |
| ENGINE BRACKET | B1 |
| EXHAUST | A11 |
| FRAME | B3 |
| FRONT SUSPENSION WHEEL | B4-5 |
| FUEL TANK | B8 |
| GOVERNOR | C2 |
| HEADLIGHT | D7 |
| INTAKE | A9 |
| PRIMARY SHEAVE | C3 |
| REAR ARM SUSPENSION | B2 |
| REAR AXLE MOUNT WHEEL | C8 |
| SEAT | D4 |
| SECONDARY SHEAVE | C4 |
| SHIFTER CABLES | C9 |
| STARTING MOTOR | D5-6 |
| STEERING | B6-7 |
| TRANSMISSION 1 | C5-7 |



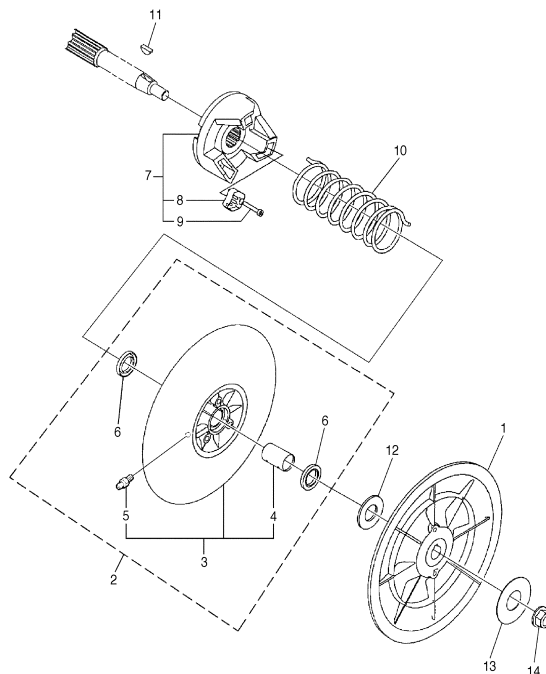
JT71010-B200

SECONDARY SHEAVE

| Ref. No. | Part Number | Description | Qty | Remarks |
|----------|-----------------|-------------------------------------|-----|---------|
| 1 | JN6-G6260-00-00 | SECONDARY FIXED SHEAVE COMP. | 1 | |
| 2 | JN6-G6270-01-00 | SECONDARY SLIDING SHEAVE COMP. | 1 | |
| 3 | JN6-G6271-02-00 | ..SECONDARY SLIDING SHEAVE .. | 1 | |
| 4 | 90384-20824-00 | .. BUSH, BIMETAL FORMED .. | 1 | |
| 5 | 93700-06809-00 | .. NIPPLE, GREASE .. | 1 | |
| 6 | 93109-20069-00 | ..OIL SEAL .. | 2 | |
| 7 | JN6-G6280-00-00 | SECONDARY SPRING SEAT COMP. | 1 | |
| 8 | JN6-E7688-00-00 | ..SHOE, RAMP .. | 3 | |
| 9 | 90110-04834-00 | ..BOLT, HEXAGON SOCKET HEAD .. | 3 | |
| 10 | 90508-45844-00 | SPRING, TORSION .. | 1 | |
| 11 | 90280-05022-00 | KEY, WOODRUFF .. | 1 | |
| 12 | 90202-20130-00 | WASHER, PLATE .. | 1 | |
| 13 | 90201-128S5-00 | WASHER, PLATE .. | 1 | |
| 14 | 95607-12200-00 | NUT, SELF-LOCKING .. | 1 | |

CONTENTS

| | |
|------------------------|--------|
| ACCELERATOR | C1 |
| AIR SHROUD FAN | A8 |
| BODY | C11-12 |
| BODY 2 | D1 |
| BODY FITTING | D2 |
| BRAKE | B9-10 |
| BRAKE 2 | B11 |
| BRAKE 3 | B12 |
| BUMPER | C10 |
| CAMSHAFT VALVE | A7 |
| CARBURETOR | A10 |
| CARRIER | D3 |
| CRANKCASE | A12 |
| CRANKSHAFT PISTON | A6 |
| CYLINDER HEAD | A5 |
| ELECTRICAL 1 | D8 |
| ELECTRICAL 2 | D9-10 |
| ENGINE ASSEMBLY | A4 |
| ENGINE BRACKET | B1 |
| EXHAUST | A11 |
| FRAME | B3 |
| FRONT SUSPENSION WHEEL | B4-5 |
| FUEL TANK | B8 |
| GOVERNOR | C2 |
| HEADLIGHT | D7 |
| INTAKE | A9 |
| PRIMARY SHEAVE | C3 |
| REAR ARM SUSPENSION | B2 |
| REAR AXLE MOUNT WHEEL | C8 |
| SEAT | D4 |
| SECONDARY SHEAVE | C4 |
| SHIFTER CABLES | C9 |
| STARTING MOTOR | D5-6 |
| STEERING | B6-7 |
| TRANSMISSION 1 | C5-7 |



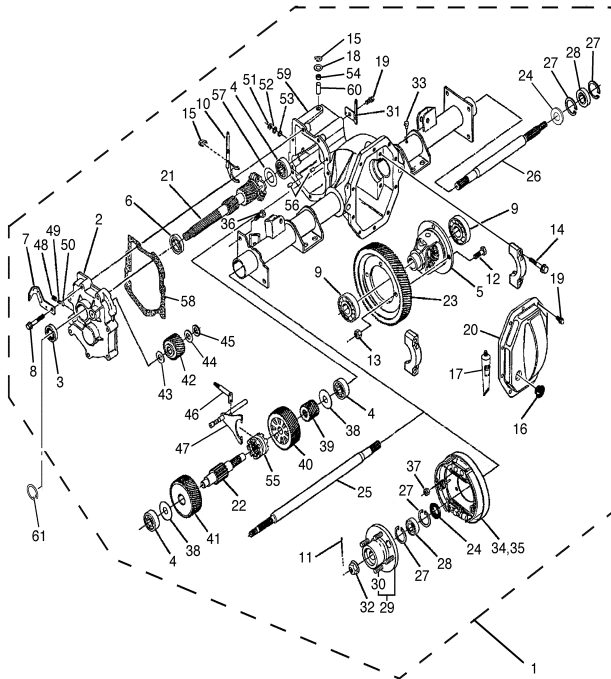
JT71010-B210

TRANSMISSION 1

| Ref. No. | Part Number | Description | Qty | Remarks |
|----------|-----------------|-----------------------------|-----|---------|
| 1 | JN6-G6300-04-00 | TRANS AXLE ASSY | 1 | |
| 2 | JN3-G6313-00-00 | .. COVER, TRANSMISSION | 1 | |
| 3 | 93102-25868-00 | .. OIL SEAL | 1 | |
| 4 | 93306-303Y6-00 | .. BEARING | 3 | |
| 5 | JN6-G6410-00-00 | .. DIFFERENTIAL ASSY. | 1 | |
| 6 | 93306-005Y4-00 | .. BEARING | 1 | |
| 7 | JN6-G6555-00-00 | .. BRACKET 2 | 1 | |
| 8 | 90105-08859-00 | .. BOLT, FLANGE | 7 | |
| 9 | 93306-007Y0-00 | .. BEARING | 2 | |
| 10 | JN3-G633E-01-00 | .. BAR 1 | 1 | |
| 11 | 91490-25025-00 | .. PIN, COTTER | 2 | |
| 12 | 90101-10854-00 | .. BOLT | 4 | |
| 13 | 90170-10840-00 | .. NUT | 4 | |
| 14 | 90105-10840-00 | .. BOLT, FLANGE | 4 | |
| 15 | JU0-F722H-00-00 | .. RETAINER | 2 | |
| 16 | JN3-G6432-00-00 | .. STOPPER | 1 | |
| 17 | JH7-G6136-00-00 | .. SEAL 1 | 1 | |
| 18 | JU0-F723F-00-00 | .. WASHER, SPECIAL | 1 | |
| 19 | 90101-08856-00 | .. BOLT | 11 | |
| 20 | JN3-G6314-00-00 | .. COVER, TRANSMISSION | 1 | |
| 21 | JN3-G6320-01-00 | .. INPUT SHAFT ASSY | 1 | |
| 22 | JN3-G633G-00-00 | .. SHAFT | 1 | |
| 23 | JN3-G6355-00-00 | .. GEAR, PRIMARY | 1 | |
| 24 | 93101-24822-00 | .. OIL SEAL | 2 | |
| 25 | JN3-G6511-00-00 | .. SHAFT, REAR AXLE 1 (L.H) | 1 | |
| 26 | JN3-G6512-00-00 | .. SHAFT, REAR AXLE 2 (R.H) | 1 | |
| 27 | 93420-44805-00 | .. CIRCLIP | 4 | |
| 28 | 93306-004X5-00 | .. BEARING | 2 | |
| 29 | JN3-G6514-00-00 | .. HUB, REAR AXLE | 2 | |
| 30 | 90114-12804-00 | .. BOLT, SERRATION | 4 | |

CONTENTS

| | |
|------------------------|--------|
| ACCELERATOR | C1 |
| AIR SHROUD FAN | A8 |
| BODY | C11-12 |
| BODY 2 | D1 |
| BODY FITTING | D2 |
| BRAKE | B9-10 |
| BRAKE 2 | B11 |
| BRAKE 3 | B12 |
| BUMPER | C10 |
| CAMSHAFT VALVE | A7 |
| CARBURETOR | A10 |
| CARRIER | D3 |
| CRANKCASE | A12 |
| CRANKSHAFT PISTON | A6 |
| CYLINDER HEAD | A5 |
| ELECTRICAL 1 | D8 |
| ELECTRICAL 2 | D9-10 |
| ENGINE ASSEMBLY | A4 |
| ENGINE BRACKET | A11 |
| EXHAUST | B1 |
| FRAME | B3 |
| FRONT SUSPENSION WHEEL | B4-5 |
| FUEL TANK | B8 |
| GOVERNOR | C2 |
| HEADLIGHT | D7 |
| INTAKE | A9 |
| PRIMARY SHEAVE | C3 |
| REAR ARM SUSPENSION | B2 |
| REAR AXLE MOUNT WHEEL | C8 |
| SEAT | D4 |
| SECONDARY SHEAVE | C4 |
| SHIFTER CABLES | C9 |
| STARTING MOTOR | D5-6 |
| STEERING | B6-7 |
| TRANSMISSION 1 | C5-7 |



JW41110-C230

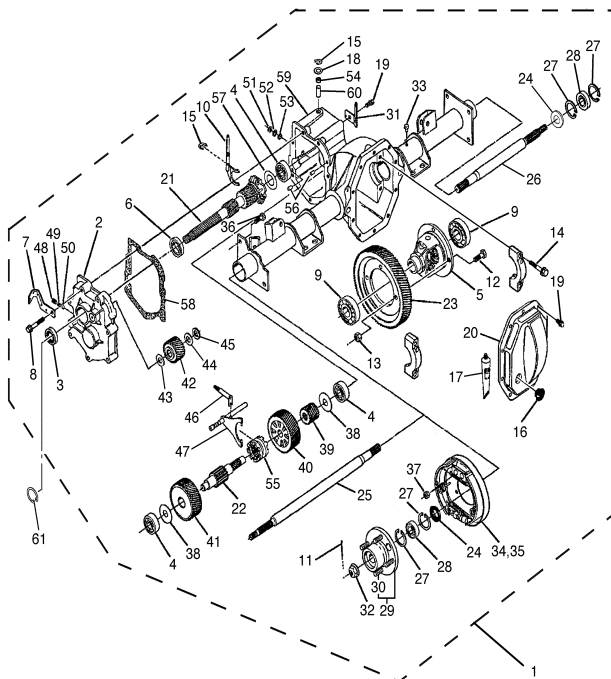
CONTINUED ON NEXT FRAME ►

TRANSMISSION 1

| Ref. No. | Part Number | Description | Qty | Remarks |
|----------|-----------------|-------------------------|-----|-------------------|
| 31 | JN3-G6556-00-00 | .BRACKET 3 | 1 | |
| 32 | 90185-16833-00 | .NUT, SELF-LOCKING | 2 | |
| 33 | JH7-G5619-00-00 | .CAP | 1 | |
| 34 | JN6-F7290-03-00 | .BACKING PLATE ASSY 2 | 1 | SEE BRAKE 2 (L.H) |
| 35 | JN6-F7280-03-00 | .BACKING PLATE ASSY 1 | 1 | SEE BRAKE 3 (R.H) |
| 36 | 90101-08855-00 | .BOLT | 8 | |
| 37 | 90170-08841-00 | .NUT | 8 | |
| 38 | 90201-178H8-00 | .WASHER, PLATE | 2 | |
| 39 | JN3-G6316-00-00 | .GEAR, PINION 1 | 1 | |
| 40 | JN3-G6326-00-00 | .GEAR, WHEEL 1 | 1 | |
| 41 | JN3-G6327-00-00 | .GEAR, WHEEL 2 | 1 | |
| 42 | JN3-G6356-00-00 | .GEAR, IDLER | 1 | |
| 43 | 90201-208H9-00 | .WASHER, PLATE | 1 | |
| 44 | 90201-208J0-00 | .WASHER, PLATE | 1 | |
| 45 | 93440-20813-00 | .CIRCLIP | 1 | |
| 46 | JN3-G638A-00-00 | .BAR, SHIFT 1 | 1 | |
| 47 | JN6-G638E-00-00 | .BAR, SHIFT 2 | 1 | |
| 48 | 90113-08803-00 | .BOLT, SET | 1 | |
| 49 | 90501-10852-00 | .SPRING, COMPRESSION | 1 | |
| 50 | 93500-06826-00 | .BALL | 1 | |
| 51 | 93410-12822-00 | .CIRCLIP | 1 | |
| 52 | 90202-12807-00 | .WASHER, PLATE | 1 | |
| 53 | 93104-11829-00 | .OIL SEAL | 1 | |
| 54 | 93109-10820-00 | .O-RING | 1 | |
| 55 | JN3-G6153-00-00 | .COLLAR, GUIDE | 1 | |
| 56 | 93606-10842-00 | .PIN, DOWEL | 2 | |
| 57 | JN3-G6344-00-00 | .SHIM, 0.76MM (0.030IN) | 1 | UR |
| | JN3-G6344-10-00 | .SHIM, 0.90MM (0.035IN) | 1 | UR |
| | JN3-G6344-20-00 | .SHIM, 1.00MM (0.040IN) | 1 | UR |
| | JN3-G6344-30-00 | .SHIM, 1.14MM (0.045IN) | 1 | UR |

CONTENTS

| | |
|------------------------|--------|
| ACCELERATOR | C1 |
| AIR SHROUD FAN | A8 |
| BODY | C11-12 |
| BODY 2 | D1 |
| BODY FITTING | D2 |
| BRAKE | B9-10 |
| BRAKE 2 | B11 |
| BRAKE 3 | B12 |
| BUMPER | C10 |
| CAMSHAFT VALVE | A7 |
| CARBURETOR | A10 |
| CARRIER | D3 |
| CRANKCASE | A12 |
| CRANKSHAFT PISTON | A6 |
| CYLINDER HEAD | A5 |
| ELECTRICAL 1 | D8 |
| ELECTRICAL 2 | D9-10 |
| ENGINE ASSEMBLY | A4 |
| ENGINE BRACKET | B1 |
| EXHAUST | A11 |
| FRAME | B3 |
| FRONT SUSPENSION WHEEL | B4-5 |
| FUEL TANK | B8 |
| GOVERNOR | C2 |
| HEADLIGHT | D7 |
| INTAKE | A9 |
| PRIMARY SHEAVE | C3 |
| REAR ARM SUSPENSION | B2 |
| REAR AXLE MOUNT WHEEL | C8 |
| SEAT | D4 |
| SECONDARY SHEAVE | C4 |
| SHIFTER CABLES | C9 |
| STARTING MOTOR | D5-6 |
| STEERING | B6-7 |
| TRANSMISSION 1 | C5-7 |



JW41110-C230

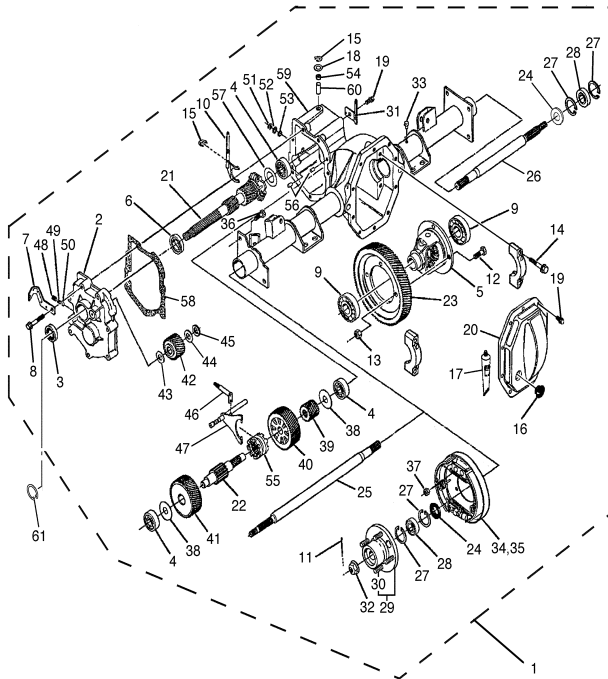
CONTINUED ON NEXT FRAME ►

TRANSMISSION 1

| Ref. No. | Part Number | Description | Qty | Remarks |
|----------|-----------------|-------------------------|-----|---------|
| 57 | JN3-G6344-40-00 | .SHIM, 1.27MM (0.050IN) | 1 | UR |
| | JN3-G6344-50-00 | .SHIM, 1.39MM (0.055IN) | 1 | UR |
| | JN3-G6344-60-00 | .SHIM, 1.52MM (0.060IN) | 1 | UR |
| | JN3-G6344-70-00 | .SHIM, 1.65MM (0.065IN) | 1 | UR |
| | JN3-G6344-80-00 | .SHIM, 0.38MM (0.015IN) | 1 | UR |
| | JN3-G6344-90-00 | .SHIM, 1.78MM (0.070IN) | 1 | UR |
| | JN3-G6344-A0-00 | .SHIM, 1.92MM (0.075IN) | 1 | UR |
| | JN3-G6344-B0-00 | .SHIM, 2.03MM (0.080IN) | 1 | UR |
| | JN3-G6344-C0-00 | .SHIM, 2.12MM (0.085IN) | 1 | UR |
| | JN3-G6344-D0-00 | .SHIM, 2.29MM (0.090IN) | 1 | UR |
| 58 | JN3-G6319-00-00 | .GASKET | 1 | |
| 59 | JN3-G6290-01-00 | CASE ASSY | 1 | |
| 60 | JU0-G6164-00-00 | .BEARING 1 | 1 | |
| 61 | 93410-25017-00 | CIRCLIP | 1 | |

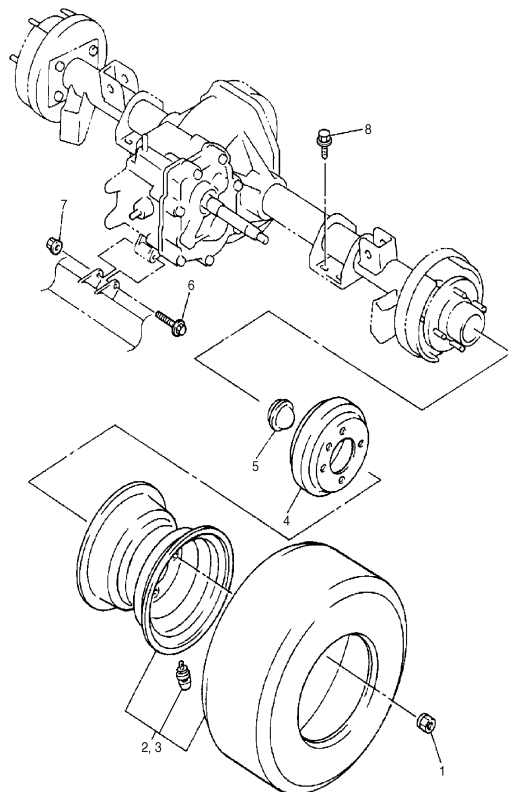
CONTENTS

| | |
|------------------------|--------|
| ACCELERATOR | C1 |
| AIR SHROUD FAN | A8 |
| BODY | C11-12 |
| BODY 2 | D1 |
| BODY FITTING | D2 |
| BRAKE | B9-10 |
| BRAKE 2 | B11 |
| BRAKE 3 | B12 |
| BUMPER | C10 |
| CAMSHAFT VALVE | A7 |
| CARBURETOR | A10 |
| CARRIER | D3 |
| CRANKCASE | A12 |
| CRANKSHAFT PISTON | A6 |
| CYLINDER HEAD | A5 |
| ELECTRICAL 1 | D8 |
| ELECTRICAL 2 | D9-10 |
| ENGINE ASSEMBLY | A4 |
| ENGINE BRACKET | B1 |
| EXHAUST | A11 |
| FRAME | B3 |
| FRONT SUSPENSION WHEEL | B4-5 |
| FUEL TANK | B8 |
| GOVERNOR | C2 |
| HEADLIGHT | D7 |
| INTAKE | A9 |
| PRIMARY SHEAVE | C3 |
| REAR ARM SUSPENSION | B2 |
| REAR AXLE MOUNT WHEEL | C8 |
| SEAT | D4 |
| SECONDARY SHEAVE | C4 |
| SHIFTER CABLES | C9 |
| STARTING MOTOR | D5-6 |
| STEERING | B6-7 |
| TRANSMISSION 1 | C5-7 |



JW41110-C230

REAR AXLE MOUNT WHEEL



| Ref. No. | Part Number | Description | Qty | Remarks |
|----------|-----------------|--------------------------------------|-----|--------------------|
| 1 | 90179-12262-00 | NUT | 8 | |
| 2 | JU7-F5100-00-00 | WHEEL ASSY (20X10-8 4PLY 224) | 1 | UR DURO TURF, LH |
| | JU7-F5100-10-00 | WHEEL ASSY (20X10-8/4/244) . | 1 | UR DURO DESERT, LH |
| 3 | JU7-F5100-00-00 | WHEEL ASSY (20X10-8 4PLY 224) | 1 | UR DURO TURF, RH |
| | JU7-F5109-10-00 | WHEEL ASSY., 2 (20X10-8/4/244) | 1 | UR DURO DESERT, RH |
| 4 | J55-G6521-10-00 | DRUM | 2 | |
| 5 | JN6-F5118-00-00 | COVER, HUB DUST | 2 | |
| 6 | 9581P-08075-00 | BOLT, FLANGE | 1 | |
| 7 | 95707-08500-00 | .NUT, FLANGE | 1 | |
| 8 | 9751P-10620-00 | BOLT, WITH WASHER | 8 | |

CONTENTS

| | |
|------------------------|--------|
| ACCELERATOR | C1 |
| AIR SHROUD FAN | A8 |
| BODY | C11-12 |
| BODY 2 | D1 |
| BODY FITTING | D2 |
| BRAKE | B9-10 |
| BRAKE 2 | B11 |
| BRAKE 3 | B12 |
| BUMPER | C10 |
| CAMSHAFT VALVE | A7 |
| CARBURETOR | A10 |
| CARRIER | D3 |
| CRANKCASE | A12 |
| CRANKSHAFT PISTON | A6 |
| CYLINDER HEAD | A5 |
| ELECTRICAL 1 | D8 |
| ELECTRICAL 2 | D9-10 |
| ENGINE ASSEMBLY | A4 |
| ENGINE BRACKET | B1 |
| EXHAUST | A11 |
| FRAME | B3 |
| FRONT SUSPENSION WHEEL | B4-5 |
| FUEL TANK | B8 |
| GOVERNOR | C2 |
| HEADLIGHT | D7 |
| INTAKE | A9 |
| PRIMARY SHEAVE | C3 |
| REAR ARM SUSPENSION | B2 |
| REAR AXLE MOUNT WHEEL | C8 |
| SEAT | D4 |
| SECONDARY SHEAVE | C4 |
| SHIFTER CABLES | C9 |
| STARTING MOTOR | D5-6 |
| STEERING | B6-7 |
| TRANSMISSION 1 | C5-7 |



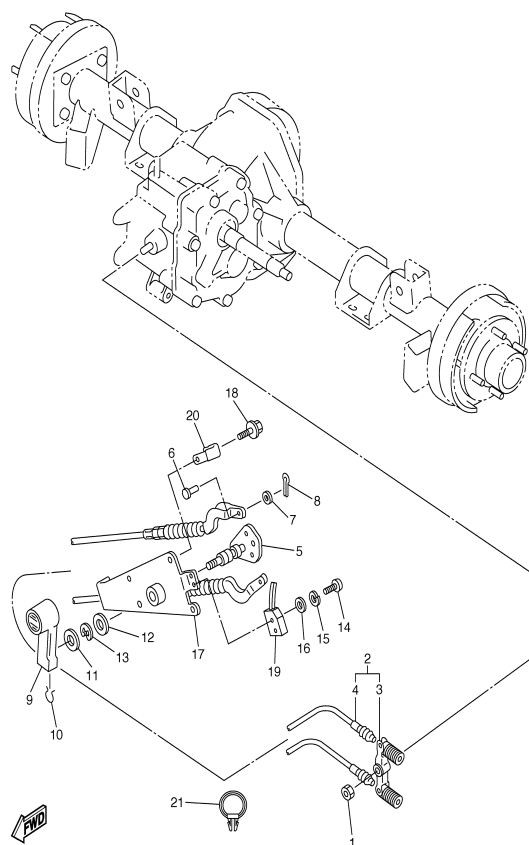
JW41110-C240

SHIFTER CABLES

| Ref. No. | Part Number | Description | Qty | Remarks |
|----------|-----------------|---------------------------|-----|---------|
| 1 | 95607-08100-00 | NUT, U | 1 | |
| 2 | JN3-G8330-00-00 | CABLE END ASSY | 1 | |
| 3 | J55-G6383-00-00 | . LEVER, SHIFT 2 | 1 | |
| 4 | JN3-G6371-00-00 | . WIRE, SHIFT | 2 | |
| 5 | JF2-46382-00-00 | LEVER, SHIFT 1 | 1 | |
| 6 | 91701-06014-00 | PIN, CLEVIS | 2 | |
| 7 | 9290P-06600-00 | WASHER | 2 | |
| 8 | 91401-20012-00 | PIN, COTTER | 2 | |
| 9 | JN3-G6381-00-00 | KNOB, SHIFT | 1 | |
| 10 | JN3-G6376-00-00 | SPRING SET | 1 | |
| 11 | 90201-208S8-00 | WASHER, PLATE | 1 | |
| 12 | 90201-198S7-00 | WASHER, PLATE | 1 | |
| 13 | 99009-19400-00 | CIRCLIP | 1 | |
| 14 | 98507-04016-00 | SCREW, PAN HEAD | 2 | |
| 15 | 92907-04100-00 | WASHER, SPRING | 2 | |
| 16 | 92907-04600-00 | WASHER | 2 | |
| 17 | JN3-G6372-00-00 | BRACKET, SHIFT WIRE | 1 | |
| 18 | 90105-06876-00 | BOLT, FLANGE | 4 | |
| 19 | JN3-82617-01-00 | SWITCH | 1 | |
| 20 | 90465-06038-00 | CLAMP | 1 | |
| 21 | 90464-19815-00 | CLAMP | 2 | |

CONTENTS

| | |
|------------------------|--------|
| ACCELERATOR | C1 |
| AIR SHROUD FAN | A8 |
| BODY | C11-12 |
| BODY 2 | D1 |
| BODY FITTING | D2 |
| BRAKE | B9-10 |
| BRAKE 2 | B11 |
| BRAKE 3 | B12 |
| BUMPER | C10 |
| CAMSHAFT VALVE | A7 |
| CARBURETOR | A10 |
| CARRIER | D3 |
| CRANKCASE | A12 |
| CRANKSHAFT PISTON | A6 |
| CYLINDER HEAD | A5 |
| ELECTRICAL 1 | D8 |
| ELECTRICAL 2 | D9-10 |
| ENGINE ASSEMBLY | A4 |
| ENGINE BRACKET | B1 |
| EXHAUST | A11 |
| FRAME | B3 |
| FRONT SUSPENSION WHEEL | B4-5 |
| FUEL TANK | B8 |
| GOVERNOR | C2 |
| HEADLIGHT | D7 |
| INTAKE | A9 |
| PRIMARY SHEAVE | C3 |
| REAR ARM SUSPENSION | B2 |
| REAR AXLE MOUNT WHEEL | C8 |
| SEAT | D4 |
| SECONDARY SHEAVE | C4 |
| SHIFTER CABLES | C9 |
| STARTING MOTOR | D5-6 |
| STEERING | B6-7 |
| TRANSMISSION 1 | C5-7 |



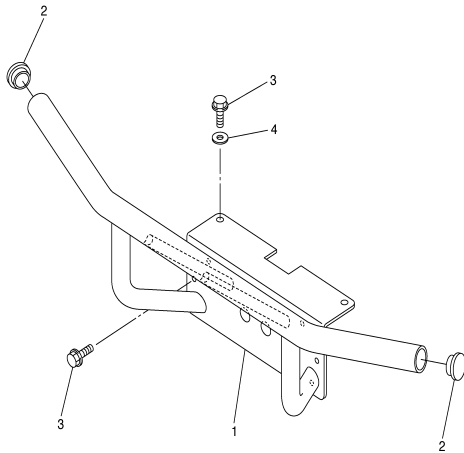
JT71010-B240

BUMPER

| Ref. No. | Part Number | Description | Qty | Remarks |
|----------|-----------------|------------------------|-----|---------|
| 1 | JU7-F845N-00-00 | BAR, CARRY FRONT | 1 | |
| 2 | 5UG-F2417-00-00 | PLUG | 2 | |
| 3 | 9581P-08016-00 | BOLT, FLANGE | 6 | |
| 4 | 90201-088P7-00 | WASHER, PLATE | 2 | |

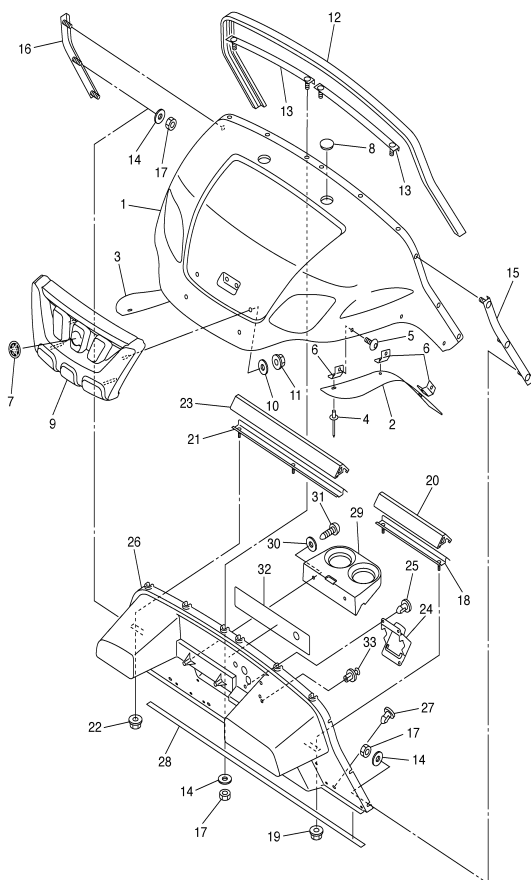
CONTENTS

| | |
|------------------------|--------|
| ACCELERATOR | C1 |
| AIR SHROUD FAN | A8 |
| BODY | C11-12 |
| BODY 2 | D1 |
| BODY FITTING | D2 |
| BRAKE | B9-10 |
| BRAKE 2 | B11 |
| BRAKE 3 | B12 |
| BUMPER | C10 |
| CAMSHAFT VALVE | A7 |
| CARBURETOR | A10 |
| CARRIER | D3 |
| CRANKCASE | A12 |
| CRANKSHAFT PISTON | A6 |
| CYLINDER HEAD | A5 |
| ELECTRICAL 1 | D8 |
| ELECTRICAL 2 | D9-10 |
| ENGINE ASSEMBLY | A4 |
| ENGINE BRACKET | B1 |
| EXHAUST | A11 |
| FRAME | B3 |
| FRONT SUSPENSION WHEEL | B4-5 |
| FUEL TANK | B8 |
| GOVERNOR | C2 |
| HEADLIGHT | D7 |
| INTAKE | A9 |
| PRIMARY SHEAVE | C3 |
| REAR ARM SUSPENSION | B2 |
| REAR AXLE MOUNT WHEEL | C8 |
| SEAT | D4 |
| SECONDARY SHEAVE | C4 |
| SHIFTER CABLES | C9 |
| STARTING MOTOR | D5-6 |
| STEERING | B6-7 |
| TRANSMISSION 1 | C5-7 |



JU71110-C260

C10



NOTE A: WHEN REPLACING "PANEL, FRONT JU7-K8114-00-00", YOU SHOULD ALSO REPLACE "LABEL, WARNING 1 JU7-K7761-00-00".

BODY

| Ref. No. | Part Number | Description | Qty | Remarks |
|----------|-----------------|---------------------------|-----|------------|
| 1 | JU7-K811A-00-00 | TRIM, UPPER COWL | 1 | |
| 2 | JR6-F1551-00-00 | FENDER, OVER | 1 | |
| 3 | JR6-F1555-00-00 | FENDER, OVER 2 | 1 | |
| 4 | 90267-48831-00 | RIVET, BLIND | 6 | |
| 5 | 90110-06836-00 | BOLT, HEXAGON SOCKET HEAD | 6 | |
| 6 | JR6-F1546-00-00 | STAY, FENDER 3 | 6 | |
| 7 | 5FU-F175B-01-00 | TUNING FORK MARK | 1 | |
| 8 | JN3-K818E-00-00 | CAP, PROTECTOR END 1 | 2 | |
| 9 | JU7-K8217-00-00 | GRILLE, FRONT | 1 | |
| 10 | 90201-05800-00 | WASHER, PLATE | 4 | |
| 11 | 95607-05200-00 | NUT, U FLANGE | 4 | |
| 12 | JF2-K811V-00-00 | PROTECTOR 1 | 1 | |
| 13 | JU0-K8261-00-00 | PLATE, BODY PROTECT 1 | 2 | |
| 14 | 90201-06829-00 | WASHER, PLATE | 10 | |
| 15 | JF2-K8262-01-00 | PLATE, BODY PROTECT 2 | 1 | |
| 16 | JF2-K8263-01-00 | PLATE, BODY PROTECT 3 | 1 | |
| 17 | 90185-06836-00 | NUT, SELF-LOCKING | 10 | |
| 18 | JF2-K8264-00-00 | PLATE, BODY PROTECT 4 | 1 | |
| 19 | 9560P-06200-00 | NUT, FLANGE | 2 | |
| 20 | JF2-K811W-00-00 | PROTECTOR 2 | 1 | |
| 21 | JF2-K8265-00-00 | PLATE, BODY PROTECT 5 | 1 | |
| 22 | 9560P-06200-00 | NUT, FLANGE | 2 | |
| 23 | JF2-K811X-00-00 | PROTECTOR 3 | 1 | |
| 24 | JF2-78273-01-00 | COVER, HOLE | 1 | |
| 25 | 90269-11042-00 | RIVET | 3 | |
| 26 | JU7-K8114-00-00 | PANEL, FRONT | 1 | SEE NOTE A |
| 27 | 90269-08066-00 | RIVET | 3 | |
| 28 | JN3-K815G-00-00 | SEAL, FRONT STORAGE | 1 | |
| 29 | JF2-K835E-00-00 | HOLDER, BEVERAGE | 1 | |

CONTENTS

| | |
|------------------------|--------|
| ACCELERATOR | C1 |
| AIR SHROUD FAN | A8 |
| BODY | C11-12 |
| BODY 2 | D1 |
| BODY FITTING | D2 |
| BRAKE | B9-10 |
| BRAKE 2 | B11 |
| BRAKE 3 | B12 |
| BUMPER | C10 |
| CAMSHAFT VALVE | A7 |
| CARBURETOR | A10 |
| CARRIER | D3 |
| CRANKCASE | A12 |
| CRANKSHAFT PISTON | A6 |
| CYLINDER HEAD | A5 |
| ELECTRICAL 1 | D8 |
| ELECTRICAL 2 | D9-10 |
| ENGINE ASSEMBLY | A4 |
| ENGINE BRACKET | B1 |
| EXHAUST | A11 |
| FRAME | B3 |
| FRONT SUSPENSION WHEEL | B4-5 |
| FUEL TANK | B8 |
| GOVERNOR | C2 |
| HEADLIGHT | D7 |
| INTAKE | A9 |
| PRIMARY SHEAVE | C3 |
| REAR ARM SUSPENSION | B2 |
| REAR AXLE MOUNT WHEEL | C8 |
| SEAT | D4 |
| SECONDARY SHEAVE | C4 |
| SHIFTER CABLES | C9 |
| STARTING MOTOR | D5-6 |
| STEERING | B6-7 |
| TRANSMISSION 1 | C5-7 |

CONTINUED ON NEXT FRAME ►

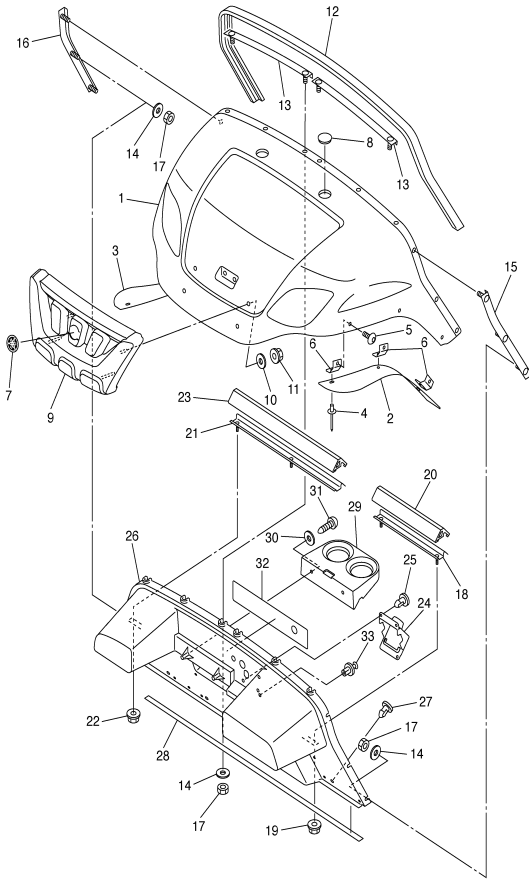


BODY

| Ref. No. | Part Number | Description | Qty | Remarks |
|----------|-----------------|------------------|-----|------------|
| 30 | 90201-068R6-00 | WASHER, PLATE | 2 | |
| 31 | 9770P-60130-00 | SCREW, TAPPING | 2 | |
| 32 | JU7-K7761-00-00 | LABEL, WARNING 1 | 1 | SEE NOTE A |
| 33 | 90269-08069-00 | RIVET | 2 | |

CONTENTS

| | |
|------------------------|--------|
| ACCELERATOR | C1 |
| AIR SHROUD FAN | A8 |
| BODY | C11-12 |
| BODY 2 | D1 |
| BODY FITTING | D2 |
| BRAKE | B9-10 |
| BRAKE 2 | B11 |
| BRAKE 3 | B12 |
| BUMPER | C10 |
| CAMSHAFT VALVE | A7 |
| CARBURETOR | A10 |
| CARRIER | D3 |
| CRANKCASE | A12 |
| CRANKSHAFT PISTON | A6 |
| CYLINDER HEAD | A5 |
| ELECTRICAL 1 | D8 |
| ELECTRICAL 2 | D9-10 |
| ENGINE ASSEMBLY | A4 |
| ENGINE BRACKET | B1 |
| EXHAUST | A11 |
| FRAME | B3 |
| FRONT SUSPENSION WHEEL | B4-5 |
| FUEL TANK | B8 |
| GOVERNOR | C2 |
| HEADLIGHT | D7 |
| INTAKE | A9 |
| PRIMARY SHEAVE | C3 |
| REAR ARM SUSPENSION | B2 |
| REAR AXLE MOUNT WHEEL | C8 |
| SEAT | D4 |
| SECONDARY SHEAVE | C4 |
| SHIFTER CABLES | C9 |
| STARTING MOTOR | D5-6 |
| STEERING | B6-7 |
| TRANSMISSION 1 | C5-7 |



NOTE A: WHEN REPLACING "PANEL, FRONT JU7-K8114-00-00", YOU SHOULD ALSO REPLACE "LABEL, WARNING 1 JU7-K7761-00-00".



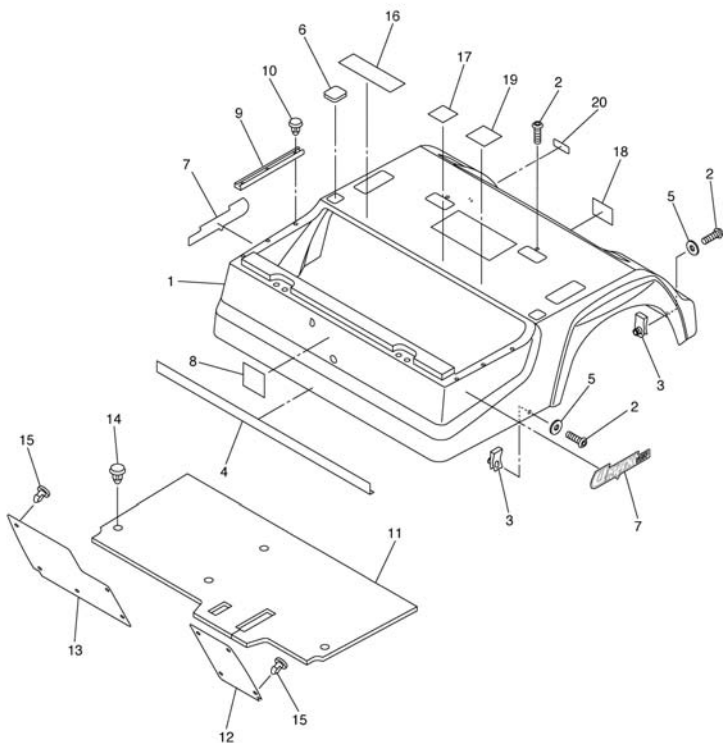
JU71110-C270

BODY 2

| Ref. No. | Part Number | Description | Qty | Remarks |
|----------|-----------------|---------------------------|-----|------------|
| 1 | JU7-K8142-00-00 | PANEL, REAR BODY | 1 | SEE NOTE A |
| 2 | 90110-06836-00 | BOLT, HEXAGON SOCKET HEAD | 6 | |
| 3 | 90183-06811-00 | NUT, SPRING | 4 | |
| 4 | JN6-K824E-00-00 | TRIM, REAR BODY 1 | 1 | |
| 5 | 90201-068R6-00 | WASHER, PLATE | 4 | |
| 6 | JU7-K8363-00-00 | PROTECTOR | 2 | |
| 7 | JU7-F1781-00-00 | EMBLEM 1 | 2 | |
| 8 | JN3-K7741-00-00 | INDICATOR 1 | 1 | SEE NOTE A |
| 9 | JU7-K8425-00-00 | SEAL, SEAT | 2 | |
| 10 | 90338-05834-00 | PLUG | 6 | |
| 11 | JN6-K8233-01-00 | MAT, MAIN FLOOR 3 | 1 | |
| 12 | JN6-K8231-01-00 | MAT, MAIN FLOOR 1 | 1 | |
| 13 | JN6-K8232-01-00 | MAT, MAIN FLOOR 2 | 1 | |
| 14 | 90269-08813-00 | RIVET | 4 | |
| 15 | 90267-63047-00 | RIVET, BLIND | 9 | |
| 16 | JN3-K8297-10-00 | PLATE, CAUTION 1 | 1 | SEE NOTE A |
| 17 | JN3-K8299-10-00 | PLATE, CAUTION | 1 | SEE NOTE A |
| 18 | JU7-K7768-00-00 | LABEL, WARNING | 1 | SEE NOTE A |
| 19 | JU7-F1696-00-00 | LABEL, CAUTION | 1 | SEE NOTE A |
| 20 | JJ3-K7765-00-00 | LABEL, WARNING 5 | 1 | SEE NOTE A |

CONTENTS

| | |
|------------------------|--------|
| ACCELERATOR | C1 |
| AIR SHROUD FAN | A8 |
| BODY | C11-12 |
| BODY 2 | D1 |
| BODY FITTING | D2 |
| BRAKE | B9-10 |
| BRAKE 2 | B11 |
| BRAKE 3 | B12 |
| BUMPER | C10 |
| CAMSHAFT VALVE | A7 |
| CARBURETOR | A10 |
| CARRIER | D3 |
| CRANKCASE | A12 |
| CRANKSHAFT PISTON | A6 |
| CYLINDER HEAD | A5 |
| ELECTRICAL 1 | D8 |
| ELECTRICAL 2 | D9-10 |
| ENGINE ASSEMBLY | A4 |
| ENGINE BRACKET | B1 |
| EXHAUST | A11 |
| FRAME | B3 |
| FRONT SUSPENSION WHEEL | B4-5 |
| FUEL TANK | B8 |
| GOVERNOR | C2 |
| HEADLIGHT | D7 |
| INTAKE | A9 |
| PRIMARY SHEAVE | C3 |
| REAR ARM SUSPENSION | B2 |
| REAR AXLE MOUNT WHEEL | C8 |
| SEAT | D4 |
| SECONDARY SHEAVE | C4 |
| SHIFTER CABLES | C9 |
| STARTING MOTOR | D5-6 |
| STEERING | B6-7 |
| TRANSMISSION 1 | C5-7 |



NOTE A: WHEN REPLACING "PANEL REAR BODY JU7-K8142-00-00", YOU MUST ALSO REPLACE "INDICATOR 1 JN3-K7741-00-00", "PLATE, CAUTION 1 JN3-K8297-10-00", "PLATE, CAUTION JN3-K8299-10-00", "LABEL, WARNING JU7-K7768-00-00", "LABEL, CAUTION JU7-F1696-00-00", AND "LABEL, WARNING 5 JJ3-K7765-00-00".

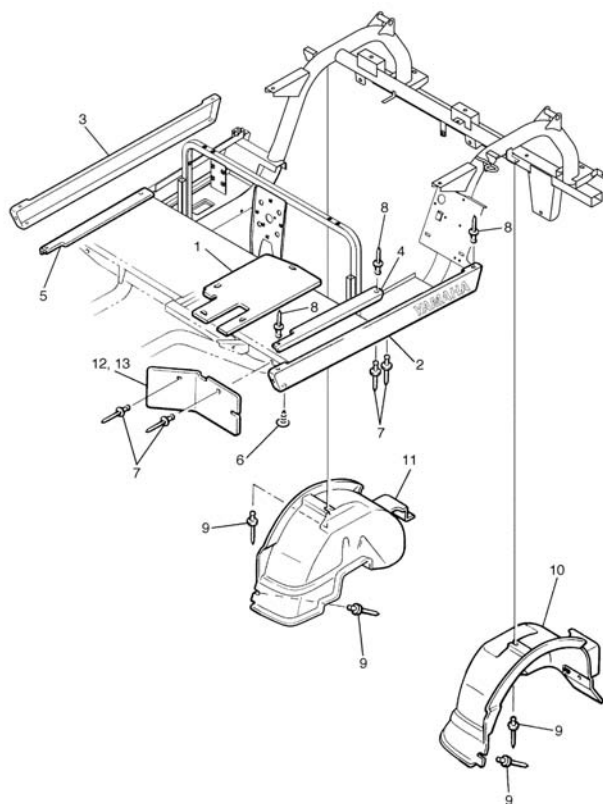


BODY FITTING

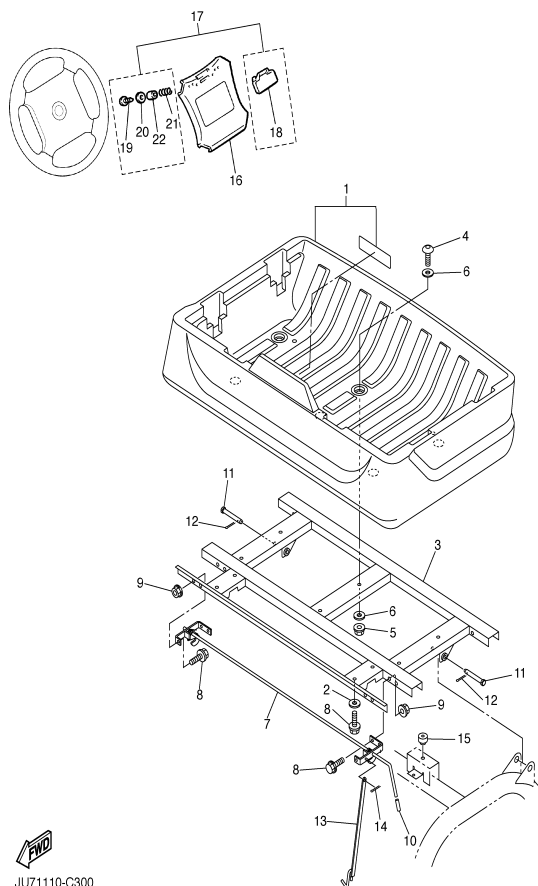
| Ref. No. | Part Number | Description | Qty | Remarks |
|----------|-----------------|--------------------------|-----|---------|
| 1 | JN6-K8271-00-00 | SERVICE LID, PEDAL | 1 | |
| 2 | JU0-K818A-00-00 | PROTECTOR, SIDE PLATE | 1 | |
| 3 | JU0-K818B-00-00 | PROTECTOR, SIDE PLATE 2 | 1 | |
| 4 | JF2-K8215-10-00 | PLATE, SIDE TRIM | 1 | |
| 5 | JF2-K821F-10-00 | PLATE, SIDE TRIM | 1 | |
| 6 | 90338-05829-00 | PLUG | 4 | |
| 7 | 90267-48831-00 | RIVET, BLIND | 8 | |
| 8 | 90267-48154-00 | RIVET, BLIND | 6 | |
| 9 | 90267-48086-00 | RIVET, BLIND | 4 | |
| 10 | JF2-K8191-01-00 | PANEL, REAR FENDER 1 | 1 | |
| 11 | JF2-K8192-01-00 | PANEL, REAR FENDER 2 | 1 | |
| 12 | JF2-K8187-00-00 | FLAP, FRONT FENDER (L.H) | 1 | |
| 13 | JF2-K8189-00-00 | FLAP, FRONT FENDER (R.H) | 1 | |

CONTENTS

| | |
|------------------------|--------|
| ACCELERATOR | C1 |
| AIR SHROUD FAN | A8 |
| BODY | C11-12 |
| BODY 2 | D1 |
| BODY FITTING | D2 |
| BRAKE | B9-10 |
| BRAKE 2 | B11 |
| BRAKE 3 | B12 |
| BUMPER | C10 |
| CAMSHAFT VALVE | A7 |
| CARBURETOR | A10 |
| CARRIER | D3 |
| CRANKCASE | A12 |
| CRANKSHAFT PISTON | A6 |
| CYLINDER HEAD | A5 |
| ELECTRICAL 1 | D8 |
| ELECTRICAL 2 | D9-10 |
| ENGINE ASSEMBLY | A4 |
| ENGINE BRACKET | B1 |
| EXHAUST | A11 |
| FRAME | B3 |
| FRONT SUSPENSION WHEEL | B4-5 |
| FUEL TANK | B8 |
| GOVERNOR | C2 |
| HEADLIGHT | D7 |
| INTAKE | A9 |
| PRIMARY SHEAVE | C3 |
| REAR ARM SUSPENSION | B2 |
| REAR AXLE MOUNT WHEEL | C8 |
| SEAT | D4 |
| SECONDARY SHEAVE | C4 |
| SHIFTER CABLES | C9 |
| STARTING MOTOR | D5-6 |
| STEERING | B6-7 |
| TRANSMISSION 1 | C5-7 |



JU71110-C290



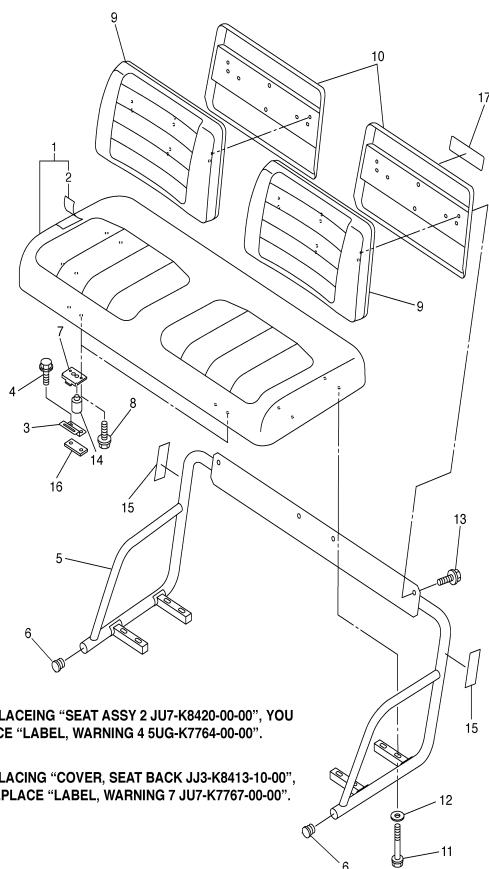
JU71110-C300

CARRIER

| Ref. No. | Part Number | Description | Qty | Remarks |
|----------|-----------------|-------------------------|-----|---------|
| 1 | JU7-K819J-00-00 | SHELL, REAR STORAGE BOX | 1 | |
| 2 | 90201-088P7-00 | WASHER, PLATE | 2 | |
| 3 | JU7-K818N-00-00 | BED, BOX | 1 | |
| 4 | 92017-10035-00 | BOLT, BUTTON HEAD | 6 | |
| 5 | 9560P-10200-00 | NUT, FLANGE | 6 | |
| 6 | 90201-10144-00 | WASHER, PLATE | 12 | |
| 7 | JU7-K8380-00-00 | LOCK ASSY | 1 | |
| 8 | 9582P-08020-00 | BOLT, FLANGE | 8 | |
| 9 | 9560P-08200-00 | NUT | 6 | |
| 10 | JJ3-K818M-00-00 | CAP, PROTECTOR END 4 | 1 | |
| 11 | 90240-13801-00 | PIN, CLEVIS | 2 | |
| 12 | 91401-30025-00 | PIN, SPLIT | 2 | |
| 13 | JU7-K8158-00-00 | ROD, INSPECTION LID | 1 | |
| 14 | 91401-20020-00 | PIN, COTTER | 1 | |
| 15 | 4XE-F4747-00-00 | DAMPER, SEAT | 2 | |
| 16 | JN3-K8357-00-00 | HOLDER 1 | 1 | |
| 17 | JN6-W001D-00-00 | SCORE CARD HOLDER KIT | 1 | |
| 18 | JN6-K8358-01-00 | ..HOLDER 2 | 1 | |
| 19 | 97707-40525-00 | ..SCREW, TAPPING | 2 | |
| 20 | 90201-048R5-00 | ..WASHER, PLATE | 2 | |
| 21 | 90502-10013-00 | ..SPRING, CONICAL | 2 | |
| 22 | 90387-046N7-00 | ..COLLAR | 2 | |

CONTENTS

| | |
|------------------------|--------|
| ACCELERATOR | C1 |
| AIR SHROUD FAN | A8 |
| BODY | C11-12 |
| BODY 2 | D1 |
| BODY FITTING | D2 |
| BRAKE | B9-10 |
| BRAKE 2 | B11 |
| BRAKE 3 | B12 |
| BUMPER | C10 |
| CAMSHAFT VALVE | A7 |
| CARBURETOR | A10 |
| CARRIER | D3 |
| CRANKCASE | A12 |
| CRANKSHAFT PISTON | A6 |
| CYLINDER HEAD | A5 |
| ELECTRICAL 1 | D8 |
| ELECTRICAL 2 | D9-10 |
| ENGINE ASSEMBLY | A4 |
| ENGINE BRACKET | B1 |
| EXHAUST | A11 |
| FRAME | B3 |
| FRONT SUSPENSION WHEEL | B4-5 |
| FUEL TANK | B8 |
| GOVERNOR | C2 |
| HEADLIGHT | D7 |
| INTAKE | A9 |
| PRIMARY SHEAVE | C3 |
| REAR ARM SUSPENSION | B2 |
| REAR AXLE MOUNT WHEEL | C8 |
| SEAT | D4 |
| SECONDARY SHEAVE | C4 |
| SHIFTER CABLES | C9 |
| STARTING MOTOR | D5-6 |
| STEERING | B6-7 |
| TRANSMISSION 1 | C5-7 |



NOTE A: WHEN REPLACING "SEAT ASSY 2 JU7-K8420-00-00", YOU MUST ALSO REPLACE "LABEL, WARNING 4 5UG-K7764-00-00".

NOTE B: WHEN REPLACING "COVER, SEAT BACK JJ3-K8413-10-00", YOU MUST ALSO REPLACE "LABEL, WARNING 7 JU7-K7767-00-00".

SEAT

| Ref. No. | Part Number | Description | Qty | Remarks |
|----------|-----------------|---------------------------|-----|------------|
| 1 | JU7-K8401-10-00 | SEAT SUB-ASSY, CUSHION .. | 1 | |
| 2 | JU7-K8404-00-00 | . COVER, SEAT | 1 | |
| 3 | JF2-K8427-00-00 | HINGE, SEAT 2 | 2 | |
| 4 | 90105-06903-00 | BOLT, FLANGE | 4 | |
| 5 | JU7-K8420-00-00 | SEAT ASSY 2 | 1 | SEE NOTE A |
| 6 | JU7-F111A-00-00 | CAP, MAIN PIPE | 2 | |
| 7 | JN3-K8426-02-00 | HINGE, SEAT 1 | 2 | |
| 8 | 90119-069UD-00 | BOLT, WITH WASHER | 4 | |
| 9 | JU7-K8402-00-00 | SEAT SUB ASSY, BACK | 2 | |
| 10 | JJ3-K8413-10-00 | COVER, SEAT BACK | 2 | SEE NOTE B |
| 11 | 90119-069UW-00 | BOLT, WITH WASHER | 8 | |
| 12 | 90201-068G0-00 | WASHER, PLATE | 8 | |
| 13 | 90119-06837-00 | BOLT, WITH WASHER | 4 | |
| 14 | JU7-F4747-00-00 | DAMPER, SEAT | 2 | |
| 15 | 5UG-K7764-00-00 | LABEL, WARNING 4 | 2 | SEE NOTE A |
| 16 | JU7-K8478-10-00 | WASHER, PLATE | 2 | |
| 17 | JU7-K7767-00-00 | LABEL, WARNING 7 | 1 | SEE NOTE B |

CONTENTS

| | |
|------------------------|--------|
| ACCELERATOR | C1 |
| AIR SHROUD FAN | A8 |
| BODY | C11-12 |
| BODY 2 | D1 |
| BODY FITTING | D2 |
| BRAKE | B9-10 |
| BRAKE 2 | B11 |
| BRAKE 3 | B12 |
| BUMPER | C10 |
| CAMSHAFT VALVE | A7 |
| CARBURETOR | A10 |
| CARRIER | D3 |
| CRANKCASE | A12 |
| CRANKSHAFT PISTON | A6 |
| CYLINDER HEAD | A5 |
| ELECTRICAL 1 | D8 |
| ELECTRICAL 2 | D9-10 |
| ENGINE ASSEMBLY | A4 |
| ENGINE BRACKET | B1 |
| EXHAUST | A11 |
| FRAME | B3 |
| FRONT SUSPENSION WHEEL | B4-5 |
| FUEL TANK | B8 |
| GOVERNOR | C2 |
| HEADLIGHT | D7 |
| INTAKE | A9 |
| PRIMARY SHEAVE | C3 |
| REAR ARM SUSPENSION | B2 |
| REAR AXLE MOUNT WHEEL | C8 |
| SEAT | D4 |
| SECONDARY SHEAVE | C4 |
| SHIFTER CABLES | C9 |
| STARTING MOTOR | D5-6 |
| STEERING | B6-7 |
| TRANSMISSION 1 | C5-7 |

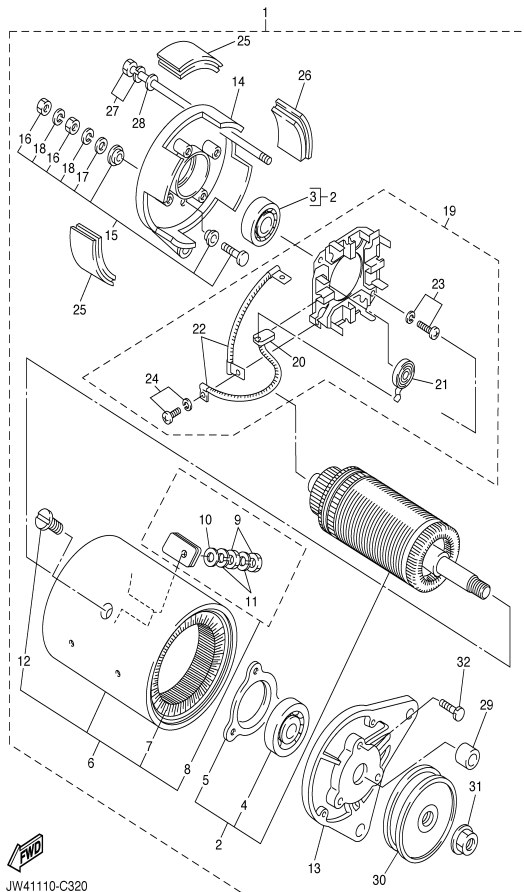


JW41110-C310

G27-A

D4

STARTING MOTOR



| Ref. No. | Part Number | Description | Qty | Remarks |
|----------|------------------|---------------------------------|-----|---------|
| 1 | JN6-H1100-03-00 | STARTER GENERATOR ASSY | 1 | |
| 2 | JN3-H1150-00-00 | .. ARMATURE ASSY | 1 | |
| 3 | J10-H1157-10-00 | .. BEARING 1 (6202 SD) | 1 | |
| 4 | J10-H1158-10-00 | .. BEARING 2 (6203 SD) | 1 | |
| 5 | J10-H1159-10-00 | .. HOLDER, BEARING | 1 | |
| 6 | JN6-H1110-10-00 | .. STATOR ASSY | 1 | |
| 7 | JN6-H1160-10-00 | .. FIELD COIL ASSY | 1 | |
| 8 | J10-81148-10-00 | .. SCREW SET 4 | 2 | |
| 9 | 9530N-06600-00 | .. NUT | 2 | |
| 10 | 9290N-06600-00 | .. WASHER | 1 | |
| 11 | 9290N-06100-00 | .. WASHER, SPRING | 2 | |
| 12 | J10-81146-10-00 | .. SCREW 2 | 4 | |
| 13 | J38-H1165-10-00 | .. BRACKET, STARTER GENERATOR 1 | 1 | |
| 14 | J10-H1166-10-00 | .. BRACKET, STARTER GENERATOR 2 | 1 | |
| 15 | J10-H1147-10-00 | .. SCREW 3 | 2 | |
| 16 | 9530N-06600-00 | .. NUT | 2 | |
| 17 | 9290N-06600-00 | .. WASHER | 1 | |
| 18 | 9290N-06100-00 | .. WASHER, SPRING | 2 | |
| 19 | JN6-H1119-00-00 | .. BRUSH HOLDER ASSY | 1 | |
| 20 | JF2-H1111-00-00 | .. BRUSH | 4 | |
| 21 | JN6-H1113-00-00 | .. SPRING, BRUSH | 4 | |
| 22 | J10-H1115-10-00 | .. WIRE, LEAD | 2 | |
| 23 | 9850N-05016-00 | .. SCREW, PAN HEAD | 2 | |
| 24 | 9850N-04010-00 | .. SCREW, PAN HEAD | 4 | |
| 25 | J10-H1129-10-00 | .. COVER, BRUSH | 3 | |
| 26 | J10-H1139-10-00 | .. COVER, BRUSH 2 | 1 | |
| 27 | J10-81145-10-00 | .. SCREW 1 | 2 | |
| 28 | 9290N-06600-00 | .. WASHER | 2 | |
| 29 | JN3-H11661-00-00 | .. SPACER | 1 | |

CONTENTS

| | |
|------------------------|--------|
| ACCELERATOR | C1 |
| AIR SHROUD FAN | A8 |
| BODY | C11-12 |
| BODY 2 | D1 |
| BODY FITTING | D2 |
| BRAKE | B9-10 |
| BRAKE 2 | B11 |
| BRAKE 3 | B12 |
| BUMPER | C10 |
| CAMSHAFT VALVE | A7 |
| CARBURETOR | A10 |
| CARRIER | D3 |
| CRANKCASE | A12 |
| CRANKSHAFT PISTON | A6 |
| CYLINDER HEAD | A5 |
| ELECTRICAL 1 | D8 |
| ELECTRICAL 2 | D9-10 |
| ENGINE ASSEMBLY | A4 |
| ENGINE BRACKET | B1 |
| EXHAUST | A11 |
| FRAME | B3 |
| FRONT SUSPENSION WHEEL | B4-5 |
| FUEL TANK | B8 |
| GOVERNOR | C2 |
| HEADLIGHT | D7 |
| INTAKE | A9 |
| PRIMARY SHEAVE | C3 |
| REAR ARM SUSPENSION | B2 |
| REAR AXLE MOUNT WHEEL | C8 |
| SEAT | D4 |
| SECONDARY SHEAVE | C4 |
| SHIFTER CABLES | C9 |
| STARTING MOTOR | D5-6 |
| STEERING | B6-7 |
| TRANSMISSION 1 | C5-7 |

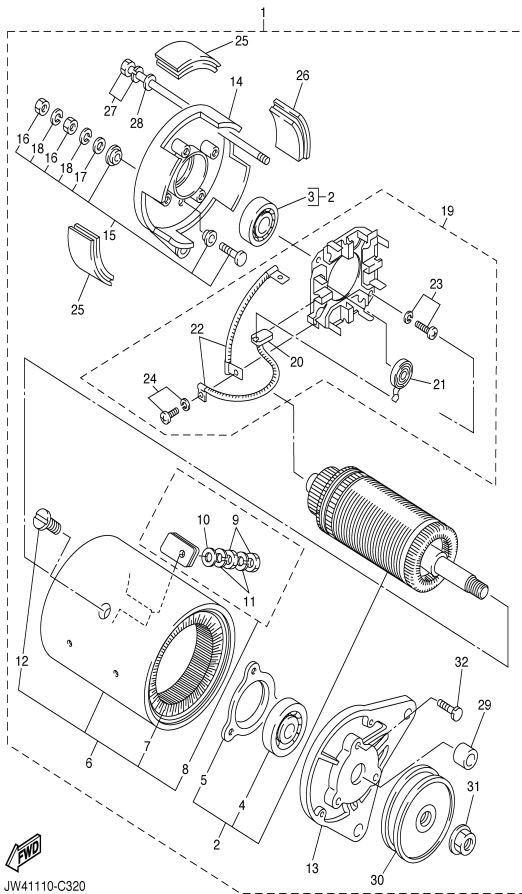
CONTINUED ON NEXT FRAME ➤

STARTING MOTOR

| Ref. No. | Part Number | Description | Qty | Remarks |
|----------|-----------------|--------------------------|-----|---------|
| 30 | JN6-H1161-00-00 | .. PULLEY | 1 | |
| 31 | 90179-16889-00 | .. NUT | 1 | |
| 32 | 9850N-05018-00 | .. SCREW, PAN HEAD | 3 | |

CONTENTS

| | |
|------------------------|--------|
| ACCELERATOR | C1 |
| AIR SHROUD FAN | A8 |
| BODY | C11-12 |
| BODY 2 | D1 |
| BODY FITTING | D2 |
| BRAKE | B9-10 |
| BRAKE 2 | B11 |
| BRAKE 3 | B12 |
| BUMPER | C10 |
| CAMSHAFT VALVE | A7 |
| CARBURETOR | A10 |
| CARRIER | D3 |
| CRANKCASE | A12 |
| CRANKSHAFT PISTON | A6 |
| CYLINDER HEAD | A5 |
| ELECTRICAL 1 | D8 |
| ELECTRICAL 2 | D9-10 |
| ENGINE ASSEMBLY | A4 |
| ENGINE BRACKET | B1 |
| EXHAUST | A11 |
| FRAME | B3 |
| FRONT SUSPENSION WHEEL | B4-5 |
| FUEL TANK | B8 |
| GOVERNOR | C2 |
| HEADLIGHT | D7 |
| INTAKE | A9 |
| PRIMARY SHEAVE | C3 |
| REAR ARM SUSPENSION | B2 |
| REAR AXLE MOUNT WHEEL | C8 |
| SEAT | D4 |
| SECONDARY SHEAVE | C4 |
| SHIFTER CABLES | C9 |
| STARTING MOTOR | D5-6 |
| STEERING | B6-7 |
| TRANSMISSION 1 | C5-7 |



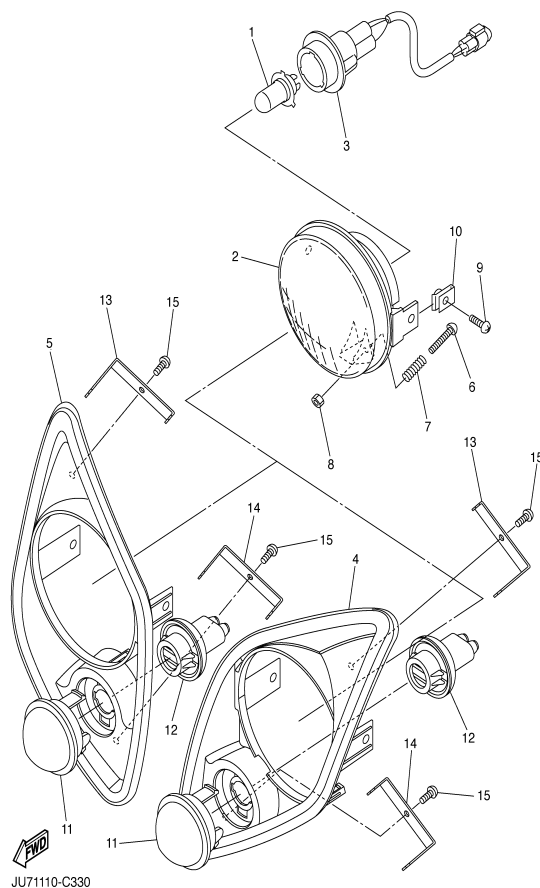
JW41110-C320

HEADLIGHT

| Ref. No. | Part Number | Description | Qty | Remarks |
|----------|-----------------|------------------------------|-----|---------|
| 1 | 5FU-H4314-00-00 | BULB, HEADLIGHT (12V-30/30W) | 2 | |
| 2 | 5FU-H4320-00-00 | LENS ASSY | 2 | |
| 3 | 5FU-H4340-00-00 | SOCKET CORD ASSY 1 | 2 | |
| 4 | JU7-H411T-00-00 | HOLDER, 1 | 1 | LH |
| 5 | JU7-H411U-00-00 | HOLDER, 2 | 1 | RH |
| 6 | 98507-03540-00 | SCREW, PAN HEAD | 2 | |
| 7 | 90501-10060-00 | SPRING, COMPRESSION | 2 | |
| 8 | 2GU-84334-00-00 | NUT, ADJUSTING | 2 | |
| 9 | 90150-05802-00 | SCREW, ROUND HEAD | 4 | |
| 10 | 90183-05008-00 | NUT, SPRING | 4 | |
| 11 | JU7-H5415-00-00 | MARK, SIGNAL LAMP | 2 | |
| 12 | JU7-H3547-00-00 | COVER, SOCKET | 2 | |
| 13 | JU7-H4118-01-00 | STAY, HEADLIGHT 1 | 2 | |
| 14 | JU7-H4119-01-00 | STAY, HEADLIGHT 2 | 2 | |
| 15 | 97707-40112-00 | SCREW, TAPPING | 4 | |

CONTENTS

| | |
|------------------------|--------|
| ACCELERATOR | C1 |
| AIR SHROUD FAN | A8 |
| BODY | C11-12 |
| BODY 2 | D1 |
| BODY FITTING | D2 |
| BRAKE | B9-10 |
| BRAKE 2 | B11 |
| BRAKE 3 | B12 |
| BUMPER | C10 |
| CAMSHAFT VALVE | A7 |
| CARBURETOR | A10 |
| CARRIER | D3 |
| CRANKCASE | A12 |
| CRANKSHAFT PISTON | A6 |
| CYLINDER HEAD | A5 |
| ELECTRICAL 1 | D8 |
| ELECTRICAL 2 | D9-10 |
| ENGINE ASSEMBLY | A4 |
| ENGINE BRACKET | B1 |
| EXHAUST | A11 |
| FRAME | B3 |
| FRONT SUSPENSION WHEEL | B4-5 |
| FUEL TANK | B8 |
| GOVERNOR | C2 |
| HEADLIGHT | D7 |
| INTAKE | A9 |
| PRIMARY SHEAVE | C3 |
| REAR ARM SUSPENSION | B2 |
| REAR AXLE MOUNT WHEEL | C8 |
| SEAT | D4 |
| SECONDARY SHEAVE | C4 |
| SHIFTER CABLES | C9 |
| STARTING MOTOR | D5-6 |
| STEERING | B6-7 |
| TRANSMISSION 1 | C5-7 |



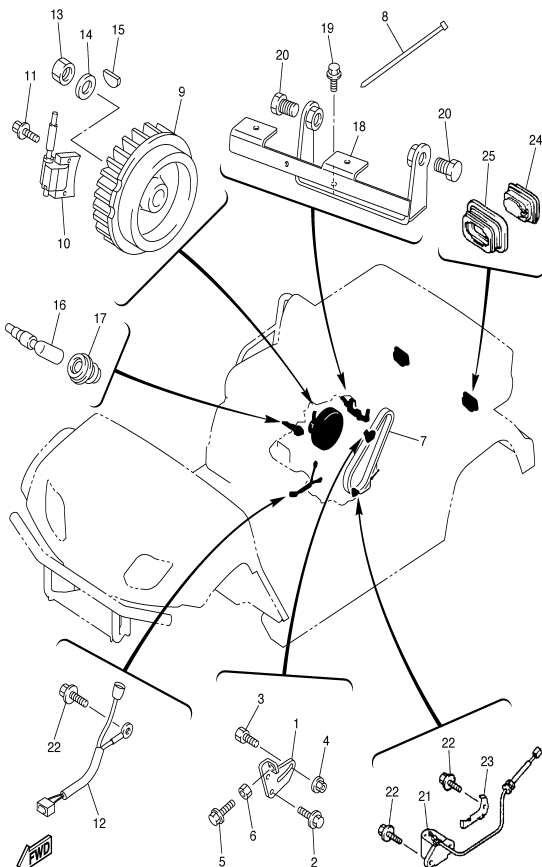
D7

ELECTRICAL 1

| Ref. No. | Part Number | Description | Qty | Remarks |
|----------|-----------------|----------------------------|-----|---------|
| 1 | JN6-H1170-00-00 | TENSIONER ASSY | 1 | |
| 2 | 9582P-08020-00 | BOLT, FLANGE | 2 | |
| 3 | 90109-08875-00 | BOLT | 1 | |
| 4 | 95707-08500-00 | .NUT, FLANGE | 1 | |
| 5 | 90101-06478-00 | BOLT | 1 | |
| 6 | 95307-06600-00 | NUT | 1 | |
| 7 | JN6-H1173-00-00 | BELT | 1 | |
| 8 | 90464-09823-00 | CLAMP | 1 | |
| 9 | JR7-85650-00-00 | ROTOR ASSY | 1 | |
| 10 | JN6-85640-01-00 | T.C.I. UNIT ASSY | 1 | |
| 11 | 95827-06025-00 | BOLT, FLANGE | 2 | |
| 12 | JN6-82318-00-00 | WIRE, SUB-LEAD | 1 | |
| 13 | 95307-18600-00 | NUT | 1 | |
| 14 | 90201-18620-00 | WASHER, PLATE | 1 | |
| 15 | 90280-04052-00 | KEY, WOODRUFF | 1 | |
| 16 | JN6-82370-00-00 | PLUG CAP ASSY | 1 | |
| 17 | JE8-82372-00-00 | SEAL, PLUG CAP | 1 | |
| 18 | JN6-H1171-00-00 | BRACKET, STARTER GENERATOR | 1 | |
| 19 | 9582P-08020-00 | BOLT, FLANGE | 2 | |
| 20 | 9581P-12025-00 | BOLT, FLANGE | 2 | |
| 21 | JN6-85720-12-00 | OIL LEVEL GAUGE ASSY | 1 | |
| 22 | 95827-06012-00 | BOLT, FLANGE | 4 | |
| 23 | JN6-85724-00-00 | CLAMP | 1 | |
| 24 | JN3-H4700-00-00 | TAILLIGHT ASSY | 2 | |
| 25 | JN3-H4718-00-00 | GROMMET | 2 | |

CONTENTS

| | |
|------------------------|--------|
| ACCELERATOR | C1 |
| AIR SHROUD FAN | A8 |
| BODY | C11-12 |
| BODY 2 | D1 |
| BODY FITTING | D2 |
| BRAKE | B9-10 |
| BRAKE 2 | B11 |
| BRAKE 3 | B12 |
| BUMPER | C10 |
| CAMSHAFT VALVE | A7 |
| CARBURETOR | A10 |
| CARRIER | D3 |
| CRANKCASE | A12 |
| CRANKSHAFT PISTON | A6 |
| CYLINDER HEAD | A5 |
| ELECTRICAL 1 | D8 |
| ELECTRICAL 2 | D9-10 |
| ENGINE ASSEMBLY | A4 |
| ENGINE BRACKET | B1 |
| EXHAUST | A11 |
| FRAME | B3 |
| FRONT SUSPENSION WHEEL | B4-5 |
| FUEL TANK | B8 |
| GOVERNOR | C2 |
| HEADLIGHT | D7 |
| INTAKE | A9 |
| PRIMARY SHEAVE | C3 |
| REAR ARM SUSPENSION | B2 |
| REAR AXLE MOUNT WHEEL | C8 |
| SEAT | D4 |
| SECONDARY SHEAVE | C4 |
| SHIFTER CABLES | C9 |
| STARTING MOTOR | D5-6 |
| STEERING | B6-7 |
| TRANSMISSION 1 | C5-7 |



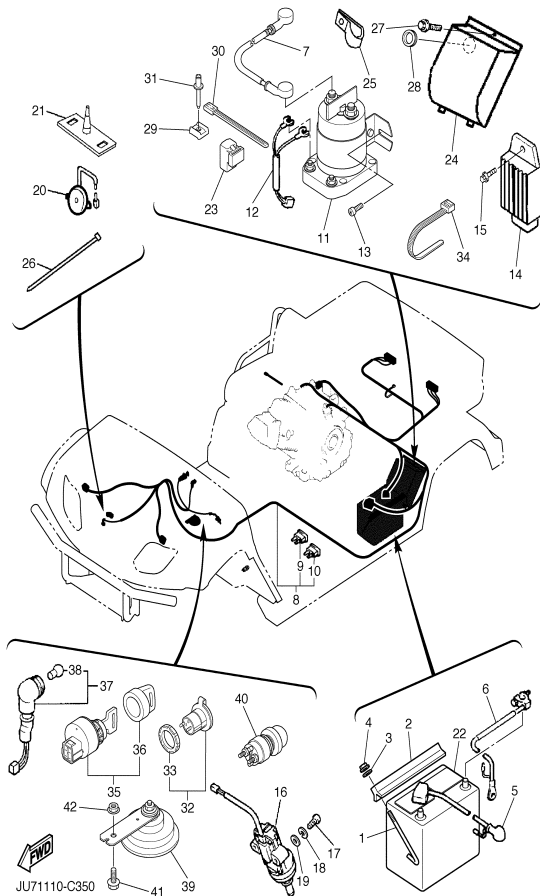
JW41110-C340

ELECTRICAL 2

| Ref. No. | Part Number | Description | Qty | Remarks |
|----------|-----------------|---------------------------|-----|---------|
| 1 | JN3-H2133-00-00 | SCREW, FITTING | 2 | |
| 2 | J55-H2136-00-00 | PLATE, BATTERY FITTING | 1 | |
| 3 | 9290P-06200-00 | WASHER | 2 | |
| 4 | 95707-06500-00 | NUT, FLANGE | 2 | |
| 5 | JU7-H2115-00-00 | WIRE, PLUS LEAD | 1 | |
| 6 | JN6-H2116-01-00 | WIRE, MINUS LEAD | 1 | |
| 7 | JN6-H2117-00-00 | WIRE, LEAD | 1 | |
| 8 | JU7-H2590-02-00 | WIRE HARNESS ASSY | 1 | |
| 9 | JN6-H2151-00-00 | . FUSE (10 A) | 2 | |
| 10 | JU7-H2151-00-00 | . FUSE (20 A) | 1 | |
| 11 | JR3-H1950-00-00 | RELAY ASSY | 1 | |
| 12 | JN6-H2105-00-00 | WIRE HARNESS | 1 | |
| 13 | 90163-06005-00 | SCREW, TAPPING | 2 | |
| 14 | JF2-81910-01-00 | VOLTAGE REGULATOR ASSY | 1 | |
| 15 | 90105-06876-00 | BOLT, FLANGE | 1 | |
| 16 | JF7-82817-20-00 | SWITCH | 1 | |
| 17 | 98507-05025-00 | SCREW, PAN HEAD | 2 | |
| 18 | 92907-05100-00 | WASHER, SPRING | 2 | |
| 19 | 92907-05600-00 | WASHER, PLATE | 2 | |
| 20 | JR1-H3383-01-00 | BUZZER | 1 | |
| 21 | JN6-H3386-01-00 | STAY, BUZZER | 1 | |
| 22 | JG5-H2110-01-00 | BATTERY ASSY (GC-24, 12V) | 1 | |
| 23 | 4U8-81950-02-00 | RELAY ASSY | 1 | |
| 24 | JN6-H1942-00-00 | COVER | 1 | |
| 25 | 90461-16802-00 | CLAMP | 1 | |
| 26 | 90464-31827-00 | CLAMP | 3 | |
| 27 | 90105-06876-00 | BOLT, FLANGE | 2 | |
| 28 | 90480-25856-00 | GROMMET | 1 | |
| 29 | 90207-05800-00 | WASHER, FINISH | 1 | |
| 30 | 90464-40825-00 | CLAMP | 6 | |

CONTENTS

| | |
|------------------------|--------|
| ACCELERATOR | C1 |
| AIR SHROUD FAN | A8 |
| BODY | C11-12 |
| BODY 2 | D1 |
| BODY FITTING | D2 |
| BRAKE | B9-10 |
| BRAKE 2 | B11 |
| BRAKE 3 | B12 |
| BUMPER | C10 |
| CAMSHAFT VALVE | A7 |
| CARBURETOR | A10 |
| CARRIER | D3 |
| CRANKCASE | A12 |
| CRANKSHAFT PISTON | A6 |
| CYLINDER HEAD | A5 |
| ELECTRICAL 1 | D8 |
| ELECTRICAL 2 | D9-10 |
| ENGINE ASSEMBLY | A4 |
| ENGINE BRACKET | B1 |
| EXHAUST | A11 |
| FRAME | B3 |
| FRONT SUSPENSION WHEEL | B4-5 |
| FUEL TANK | B8 |
| GOVERNOR | C2 |
| HEADLIGHT | D7 |
| INTAKE | A9 |
| PRIMARY SHEAVE | C3 |
| REAR ARM SUSPENSION | B2 |
| REAR AXLE MOUNT WHEEL | C8 |
| SEAT | D4 |
| SECONDARY SHEAVE | C4 |
| SHIFTER CABLES | C9 |
| STARTING MOTOR | D5-6 |
| STEERING | B6-7 |
| TRANSMISSION 1 | C5-7 |



CONTINUED ON NEXT FRAME ►

ELECTRICAL 2

| Ref. No. | Part Number | Description | Qty | Remarks |
|----------|-----------------|-------------------|-----|---------|
| 31 | 90267-489U9-00 | RIVET, BLIND | 1 | |
| 32 | 5FU-H1920-10-00 | TERMINAL ASSY | 1 | |
| 33 | 5FU-H191B-10-00 | . NUT | 1 | |
| 34 | 90464-14806-00 | CLAMP | 9 | |
| 35 | JU7-H2510-00-00 | MAIN SWITCH ASSY | 1 | |
| 36 | 5UG-H2579-00-00 | . .CAP, KEY | 1 | |
| 37 | JN6-83530-00-00 | PILOT LIGHT ASSY | 1 | |
| 38 | 123-83516-21-00 | . BULB (12V-3.4W) | 1 | |
| 39 | 4LR-83371-10-00 | HORN | 1 | |
| 40 | JR6-H270X-00-00 | SWITCH | 1 | |
| 41 | 9582P-06016-00 | BOLT, FLANGE | 1 | |
| 42 | 95707-06500-00 | NUT, FLANGE | 1 | |

CONTENTS

| | |
|------------------------|--------|
| ACCELERATOR | C1 |
| AIR SHROUD FAN | A8 |
| BODY | C11-12 |
| BODY 2 | D1 |
| BODY FITTING | D2 |
| BRAKE | B9-10 |
| BRAKE 2 | B11 |
| BRAKE 3 | B12 |
| BUMPER | C10 |
| CAMSHAFT VALVE | A7 |
| CARBURETOR | A10 |
| CARRIER | D3 |
| CRANKCASE | A12 |
| CRANKSHAFT PISTON | A6 |
| CYLINDER HEAD | A5 |
| ELECTRICAL 1 | D8 |
| ELECTRICAL 2 | D9-10 |
| ENGINE ASSEMBLY | A4 |
| ENGINE BRACKET | B1 |
| EXHAUST | A11 |
| FRAME | B3 |
| FRONT SUSPENSION WHEEL | B4-5 |
| FUEL TANK | B8 |
| GOVERNOR | C2 |
| HEADLIGHT | D7 |
| INTAKE | A9 |
| PRIMARY SHEAVE | C3 |
| REAR ARM SUSPENSION | B2 |
| REAR AXLE MOUNT WHEEL | C8 |
| SEAT | D4 |
| SECONDARY SHEAVE | C4 |
| SHIFTER CABLES | C9 |
| STARTING MOTOR | D5-6 |
| STEERING | B6-7 |
| TRANSMISSION 1 | C5-7 |

