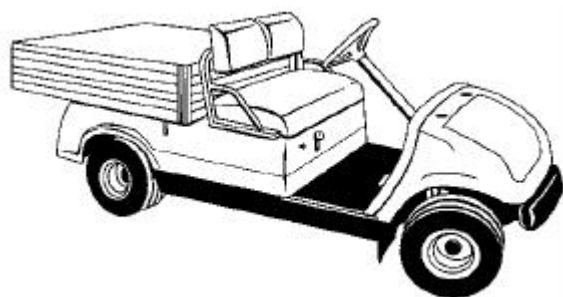


YAMAHA



PARTS CATALOG

1997 G11AR

1998 G11AS

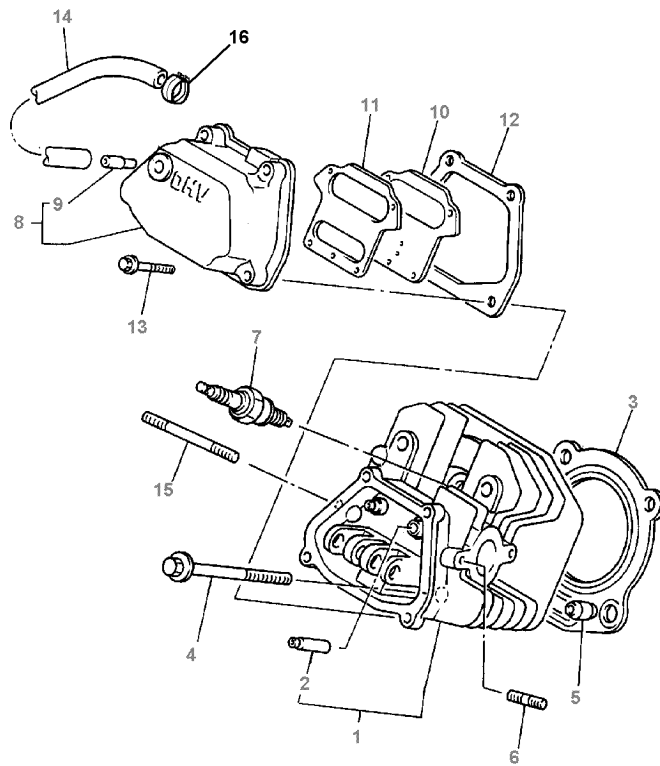
1999 G11AT

2000 G11AU

2001 G11AW

(JR31) U.S.A., CANADA, EUROPE, OTHERS

CYLINDER HEAD

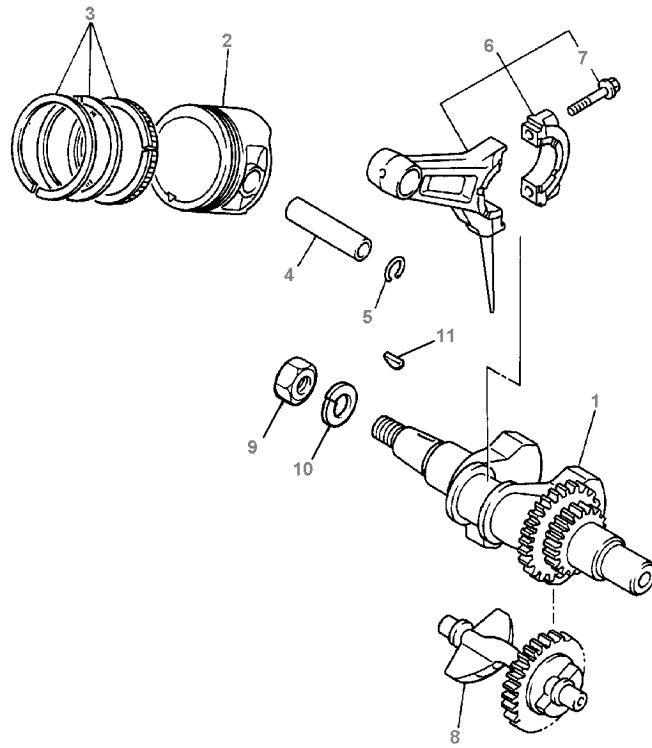


Ref. No.	Part Number	Description	Qty	Remarks
1	JN6-11102-00-00	HEAD, CYLINDER	1	
2	JN6-11133-10-00	. GUIDE, VALVE	2	
3	JN6-11181-00-00	GASKET, CYLINDER HEAD ...	1	
4	95817-10070-00	BOLT, FLANGE	4	
5	99530-14016-00	PIN, DOWEL	2	
6	95627-08618-00	BOLT, STUD	2	
7	NGK-BPR2E-S0-00	PLUG, SPARK	1	STD
8	JN6-11191-00-00	COVER, CYLINDER	1	
9	JN6-11116-00-00	. JOINT, BREATHER	1	
10	JN6-11168-00-00	COVER, BREATHER	1	
11	JN6-11169-00-00	GASKET, BREATHER	1	
12	JN6-11193-00-00	GASKET, HEAD COVER 1	1	
13	95827-06030-00	BOLT, FLANGE	4	
14	JN6-E1166-00-00	PIPE, BREATHER	1	
15	95607-08710-00	BOLT, STUD	2	
16	90464-13847-00	CLAMP	2	



JN7010-6011

CRANKSHAFT PISTON

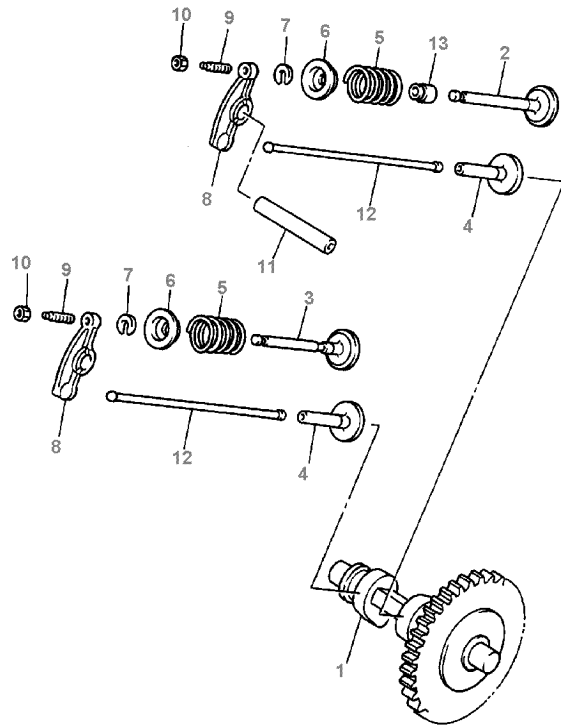


Ref. No.	Part Number	Description	Qty	Remarks
1	JN6-11400-00-00	CRANK ASSEMBLY.	1	
2	JN6-11631-00-A0	PISTON (STD)	1	STD
	JN6-11635-00-00	PISTON (0.25MM O/S)	1	AP
	JN6-11636-00-00	PISTON (0.50MM O/S)	1	AP
3	JN6-11610-00-00	PISTON RING SET (STD)	1	STD
	JN6-11610-10-00	PISTON RING SET (0.25MM O/S)	1	AP
	JN6-11610-20-00	PISTON RING SET (0.50MM O/S)	1	AP
4	447-11633-00-00	PIN, PISTON	1	
5	93450-21053-00	CIRCLIP	2	
6	JN6-11650-00-00	CONNECTING ROD ASSEMBLY	1	
7	JN6-11654-00-00	. BOLT, CONNECTING ROD ..	2	
8	JN6-11454-00-00	WEIGHT 1	1	
9	95307-18600-00	NUT, HEX.	1	
10	90201-18620-00	WASHER, PLAIN	1	
11	90280-04052-00	KEY, WOODRUFF	1	

 JN7010-6020

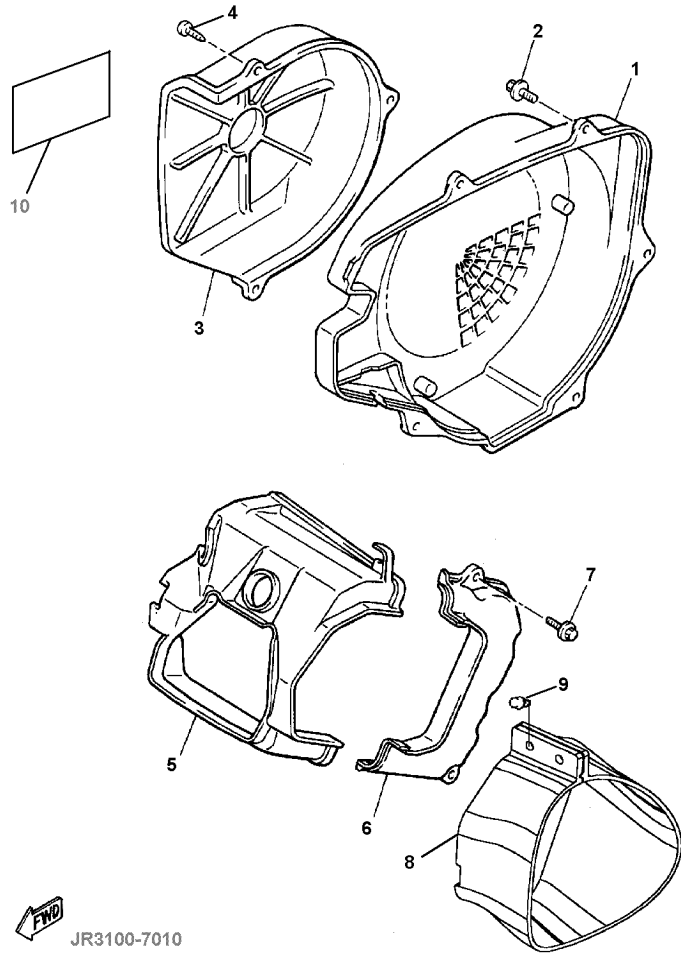
CAMSHAFT VALVE

Ref. No.	Part Number	Description	Qty	Remarks
1	JN6-12171-00-00	SHAFT, CAM	1	
2	JN6-12111-01-00	VALVE, INTAKE	1	
3	JN6-12121-00-00	VALVE, EXHAUST	1	
4	JN6-12153-00-00	LIFTER, VALVE	2	
5	90501-264A9-00	SPRING, COMPRESSION	2	
6	J38-12117-01-00	RETAINER, VALVE SPRING ..	2	
7	J38-12118-00-00	COTTER, VALVE	2	
8	JN6-12151-00-00	ARM, VALVE ROCKER	2	
9	22F-12159-00-00	SCREW, VALVE ADJUSTING ..	2	
10	90170-05302-00	NUT	2	
11	J38-12156-00-00	SHAFT, ROCKER 2	1	
12	JN6-12154-00-00	ROD, VALVE PUSH	2	
13	5H0-12119-00-00	SEAL, VALVE STEM	1	

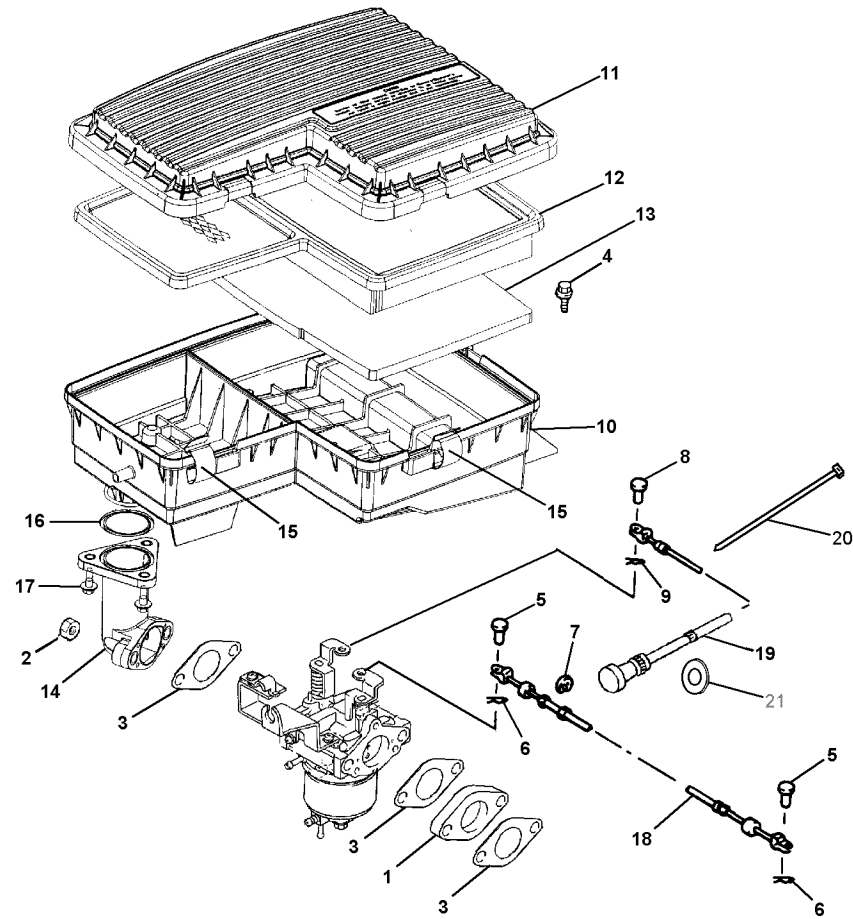


 JN7010-6030

AIR SHROUD FAN



Ref. No.	Part Number	Description	Qty	Remarks
1	JN6-12621-00-00	CASE, FAN	1	
2	95817-06020-00	BOLT, FLANGE	5	
3	JN6-12616-00-00	COVER, FAN CASE	1	
4	97707-60520-00	SCREW, TAPPING	3	
5	JN6-12651-00-00	AIR SHROUD, CYLINDER	1	
6	JN6-12652-00-00	AIR SHROUD, CYLINDER	1	
7	95817-06020-00	BOLT, FLANGE	2	
8	JN6-E2691-00-00	DUCT,	1	
9	90269-08813-00	RIVET	2	
10	JR3-2179R-00-00	PLATE, CALIF.	1	

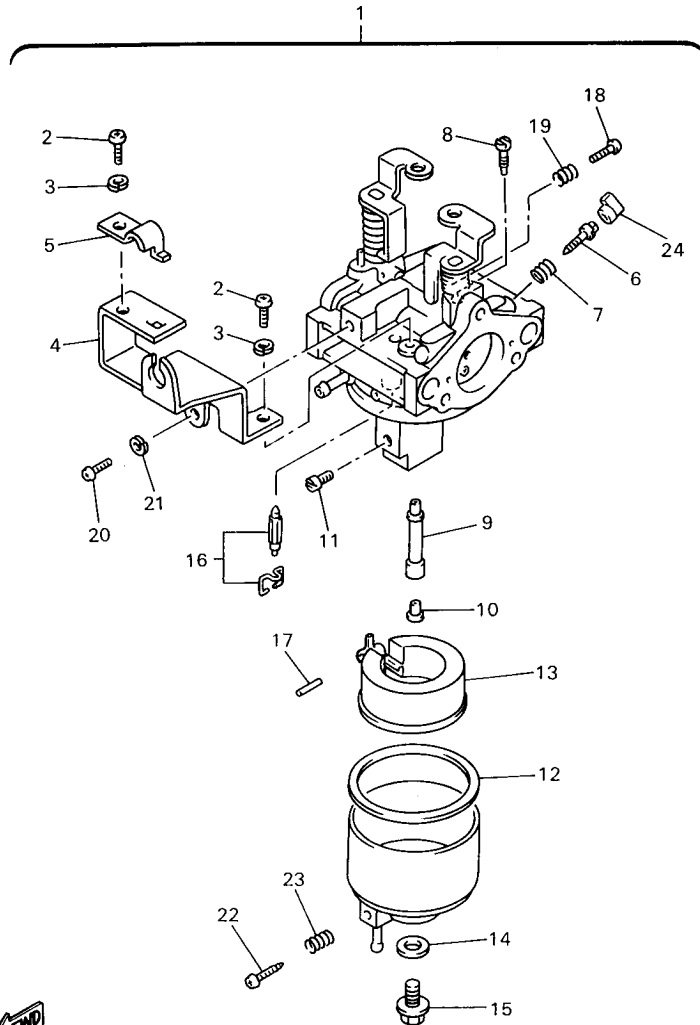


JR3100-7110

INTAKE

Ref. No.	Part Number	Description	Qty	Remarks
1	JN6-13595-00-00	JOINT	1	
2	95707-08500-00	NUT, FLANGE	2	
3	JN6-13567-00-00	GASKET	3	
4	90119-06920-00	BOLT, WITH WASHER	2	
5	91701-05010-00	PIN, CYLINDER. HEAD	2	
6	90468-10050-00	CLIP	2	
7	99080-07600-00	CIRCLIP (E)	1	
8	91701-05010-00	PIN, CYLINDER. HEAD	1	
9	90468-10050-00	CLIP	1	
10	JN6-E4411-01-00	CASE, AIR FILTER	1	
11	JN6-E4412-01-00	CAP, CASE 1	1	
12	JN6-E4450-01-00	ELEMENT ASSEMBLY.	1	
13	JN6-E445E-00-00	FILTER,	1	
14	JN6-E3586-00-00	JOINT, CARBURETOR	1	
15	JN6-E4424-00-00	CLIP, CAP FITTING	5	
16	93210-398D6-00	O-RING	1	
17	90105-06862-00	BOLT, FLANGE	3	
18	JN6-F6312-00-00	WIRE, THROTTLE	1	
19	J55-F6331-01-00	WIRE, STARTER	1	
20	90464-31827-00	CLAMP	1	
21	90201-118N2-00	WASHER, PLAIN	1	

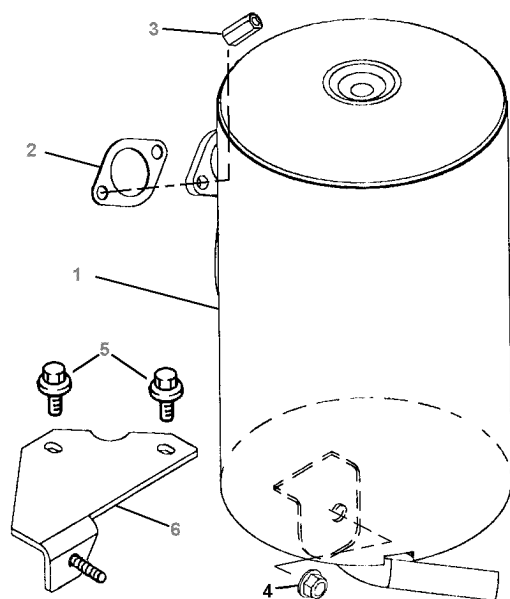
CARBURETOR



JR2010-7060

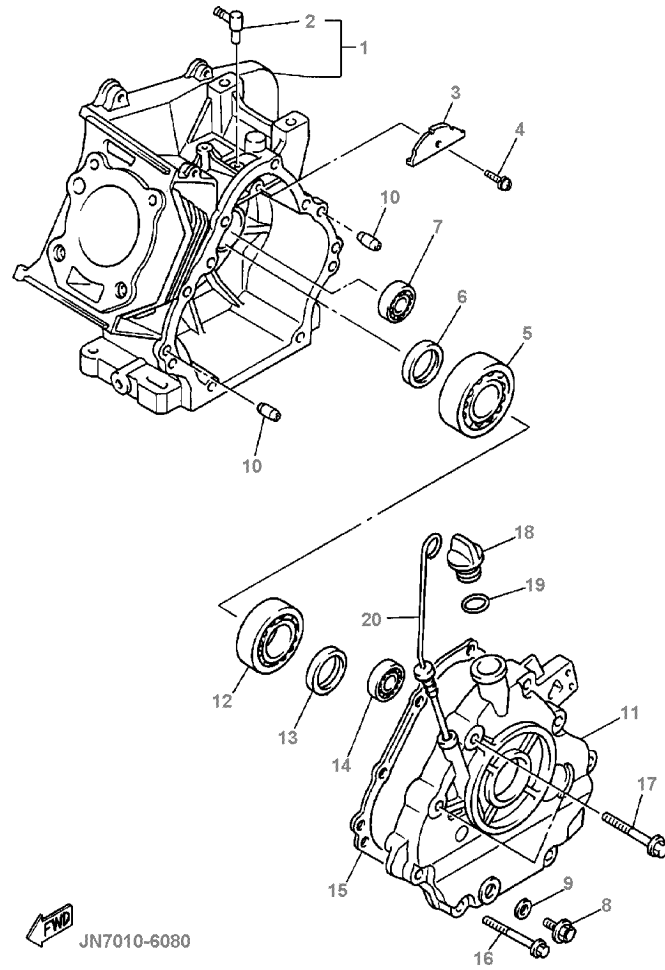
Ref. No.	Part Number	Description	Qty	Remarks
1	JN6-14101-10-00	CARBURETOR ASSEMBLY. . .	1	
2	98507-05008-00	. SCREW, PAN HEAD	2	
3	92990-05100-00	. WASHER, SPRING	2	
4	JN6-14291-00-00	. BRACKET	1	
5	J10-14227-00-00	. WASHER	1	
6	7LV-14211-00-00	. SCREW, PILOT ADJUSTING . .	1	
7	73A-14212-00-00	. SPRING	1	
8	620-1414J-24-00	. JET, PILOT	1	
9	JN6-1495H-3B-00	. NOZZLE, MAIN	1	
10	73A-1414G-00-00	. PIPE, MAIN BREED	1	
11	3G2-1423E-34-00	. JET, MAIN 1 #	1	
12	796-14184-00-00	. GASKET, FLOAT CHAMBER . .	1	
13	7KY-14185-00-00	. FLOAT	1	
14	127-14198-00-00	. GASKET	1	
15	7R1-14162-00-00	. BOLT, HOLDING	1	
16	JN5-14150-00-00	. NEEDLE ASSEMBLY	1	
17	22F-14186-00-00	. PIN, FLOAT	1	
18	1WG-14922-00-00	. SCREW, THROTTLE	1	
19	73A-14212-10-00	. SPRING	1	
20	98507-04010-00	. SCREW, PAN HEAD	1	
21	92990-05100-00	. WASHER, SPRING	1	
22	7E1-14191-00-00	. PLUG, DRAIN	1	
23	73A-14212-00-00	. SPRING	1	
24	7LV-14118-00-00	. CAP (CUT AWAY 1/8)	1	

EXHAUST



 JN6100-6021

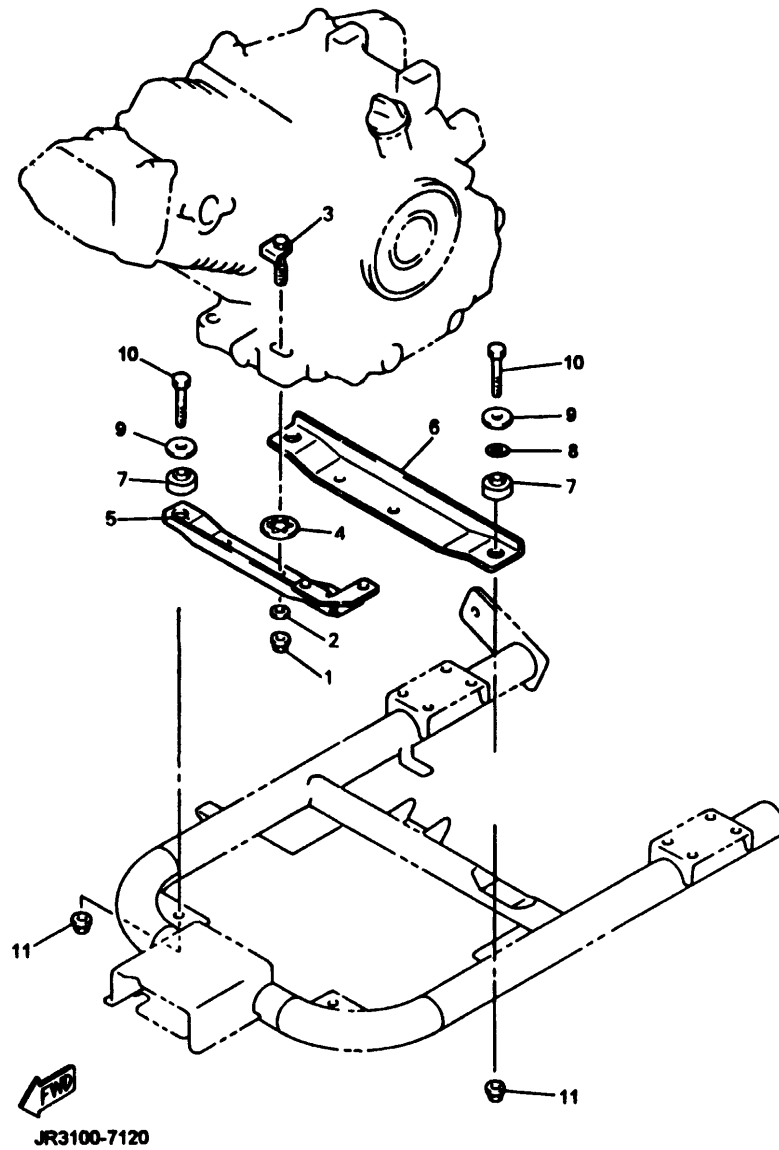
Ref. No.	Part Number	Description	Qty	Remarks
1	JN6-E4710-00-00	MUFFLER ASSEMBLY	1	
2	7KY-14613-01-00	GASKET, EXHAUST PIPE	1	
3	90179-08879-00	NUT	2	
4	90185-08841-00	NUT, U-FLANGE	1	
5	90119-08825-00	BOLT, HEX HEAD WWASHER	2	
6	JN6-F1435-10-00	BRACKET, MUFFLER	1	



CRANKCASE

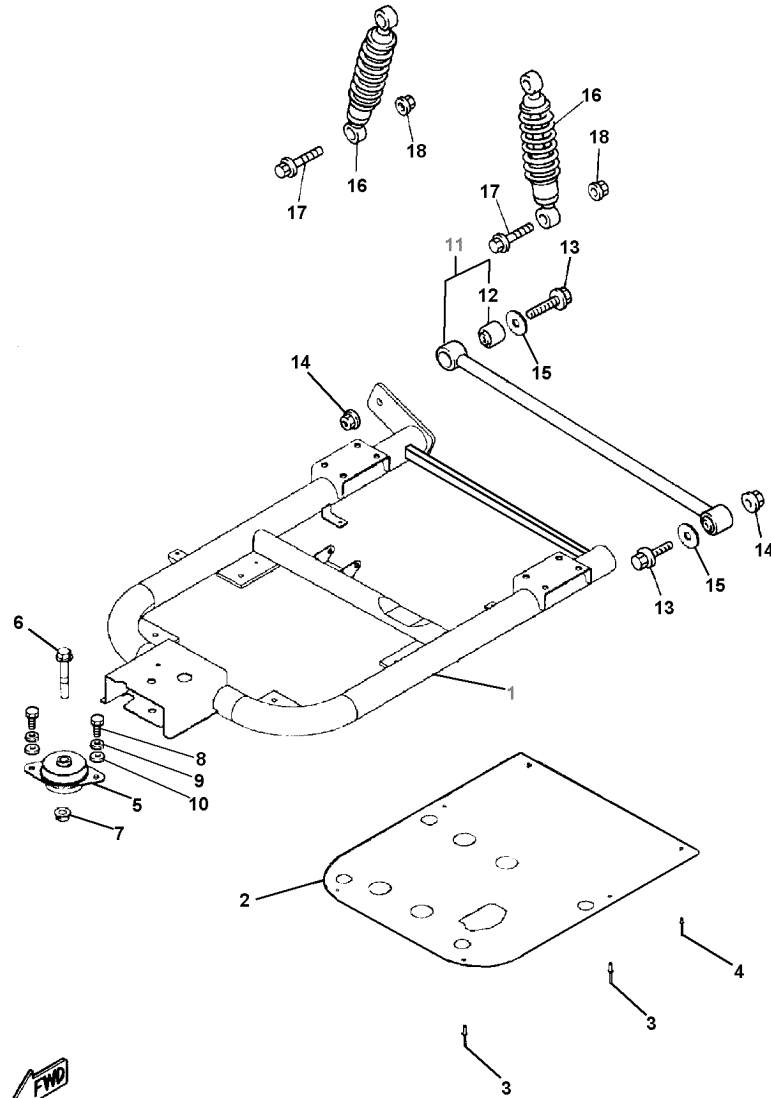
Ref. No.	Part Number	Description	Qty	Remarks
1	JN6-15100-00-00	CRANKCASE ASSEMBLY	1	
2	JN6-15155-00-00	. NOZZLE,	1	
3	JN6-15123-00-00	PLATE, BAFFLE	1	
4	90159-06107-00	SCREW, WITH WASHER	1	
5	93306-30709-00	BEARING	1	
6	93102-35191-00	OIL SEAL	1	
7	93306-20211-00	BEARING (6202SH2-C3)	1	
8	90340-12097-00	PLUG, STRAIGHT SCREW	1	
9	812-11198-00-00	GASKET	1	
10	99510-08016-00	PIN, DOWEL	2	
11	JN6-15411-00-00	COVER, CRANKCASE	1	
12	93306-20716-00	BEARING	1	
13	93102-35191-00	OIL SEAL	1	
14	93306-20211-00	BEARING (6202SH2-C3)	1	
15	JN6-15451-00-00	GASKET, CRANKCASE	1	
16	95817-08045-00	BOLT, FLANGE	6	
17	95817-10050-00	BOLT, FLANGE	2	
18	796-15363-01-00	PLUG, OIL	1	
19	93210-22344-00	O-RING	1	
20	J38-15361-00-00	GAUGE, LEVEL	1	

ENGINE MOUNT



Ref. No.	Part Number	Description	Qty	Remarks
1	95617-10200-00	NUT, SELF-LOCKING	4	
2	92907-10200-00	WASHER, PLAIN	4	
3	JN6-F1481-00-00	BOLT, ENGINE	4	
4	JN6-E5179-00-00	CLIP	4	
5	JN6-F1411-00-00	BRACKET, ENGINE	1	
6	JN6-F1419-02-00	BRACKET, ENGINE	1	
7	JR3-F1459-00-00	SPACER	4	
8	92990-08200-00	WASHER, PLAIN	2	
9	90201-088K6-00	WASHER, PLAIN	4	
10	90101-08880-00	BOLT, HEX	4	
11	90179-08885-00	NUT, U-FLANGE	4	

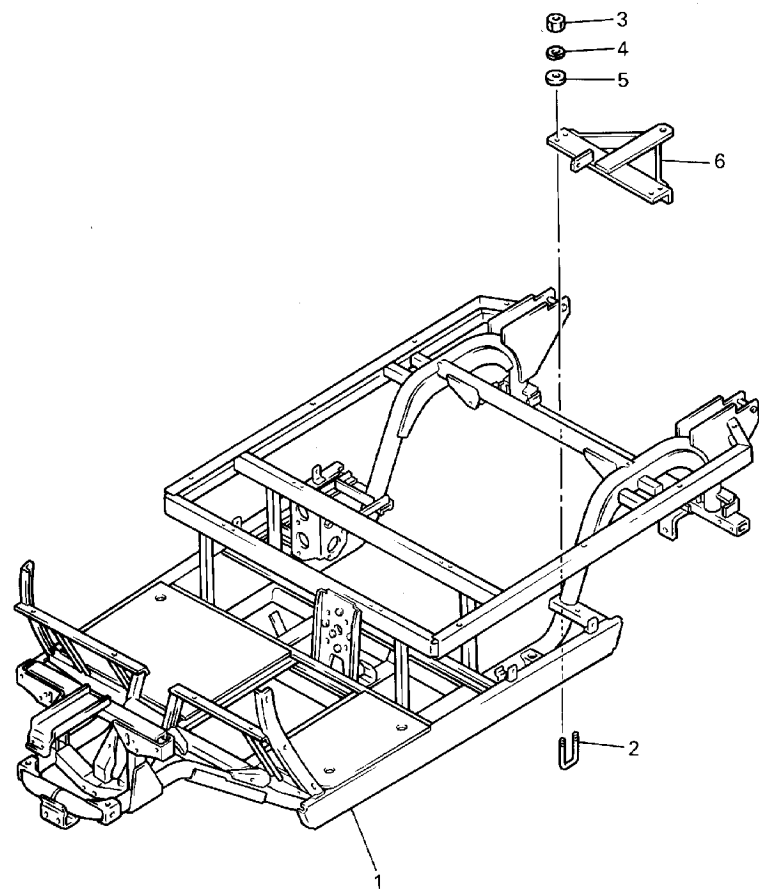
REAR ARM SUSPENSION



Ref. No.	Part Number	Description	Qty	Remarks
1	JN6-F2110-01-00	REAR ARM COMP.	1	
2	JN6-F2128-01-00	COVER,	1	
3	90267-48850-00	RIVET, BLIND	4	
4	90267-40851-00	RIVET, BLIND	2	
5	JN6-F2123-00-00	BUSHING,	1	
6	90105-13864-00	BOLT, FLANGE	1	
7	90179-13878-00	NUT	1	
8	97017-10020-00	BOLT	2	
9	92907-10100-00	WASHER, SPRING	2	
10	92907-10600-00	WASHER, PLATE	2	
11	JN6-F217G-00-00	ROD, CONNECTING	1	
12	JN6-F2124-00-00	. BUSHING,	2	
13	95817-12065-00	BOLT, FLANGE	2	
14	95617-12200-00	NUT, SELF-LOCKING	2	
15	90201-12426-00	WASHER, PLATE	2	
16	JJ3-F2210-00-00	SHOCK ABSORBER	2	
17	95817-12065-00	BOLT, FLANGE	4	
18	90185-12072-00	NUT, SELF-LOCKING	4	

JR3100-7020

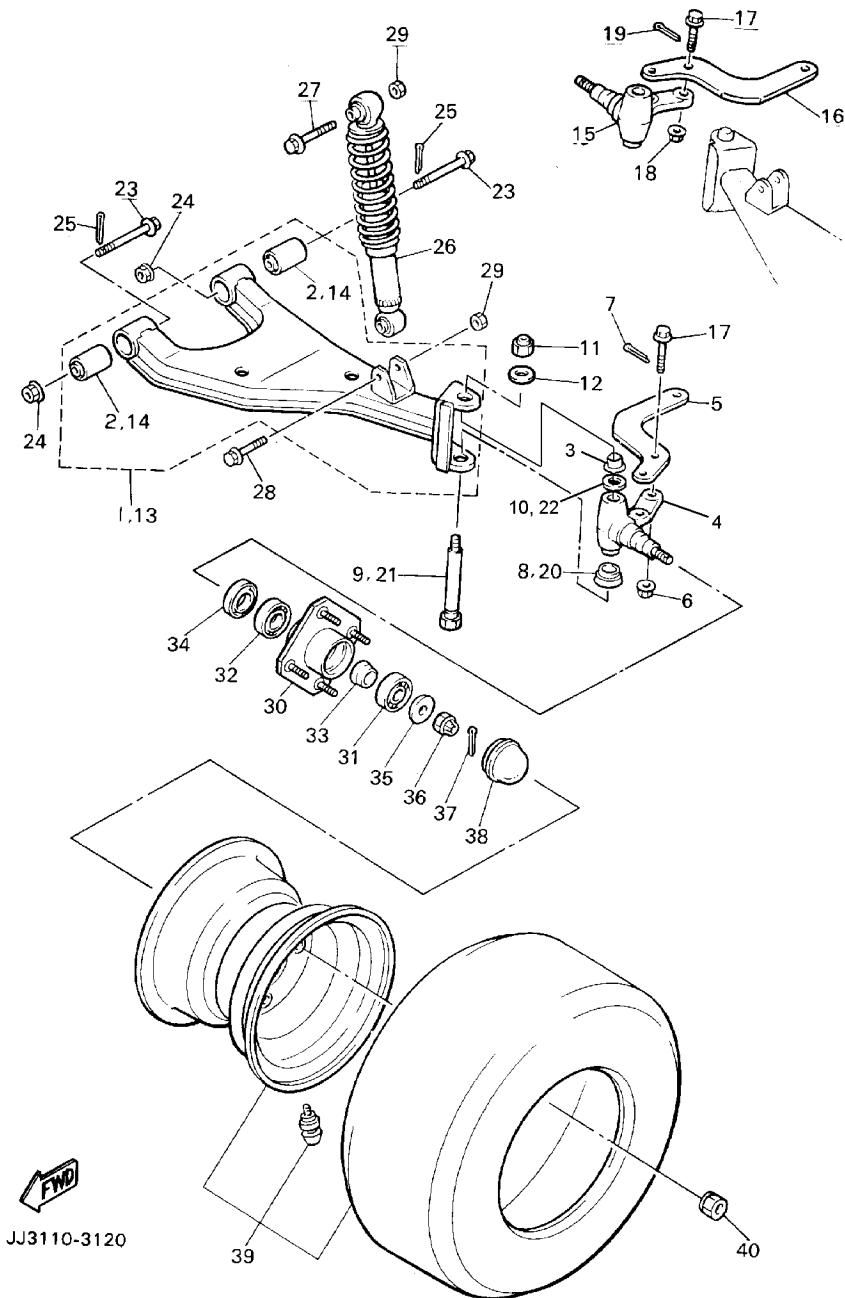
FRAME



JJ3110-6110

Ref. No.	Part Number	Description	Qty	Remarks
1	JR3-F2501-00-00	FRAME COMP.	1	
2	90109-10862-00	BOLT	2	
3	90170-10847-00	NUT, HEX	4	
4	92907-10100-00	WASHER, SPRING	4	
5	92907-10200-00	WASHER, PLAIN	4	
6	JJ3-F722B-02-00	BAR, TOW	1	

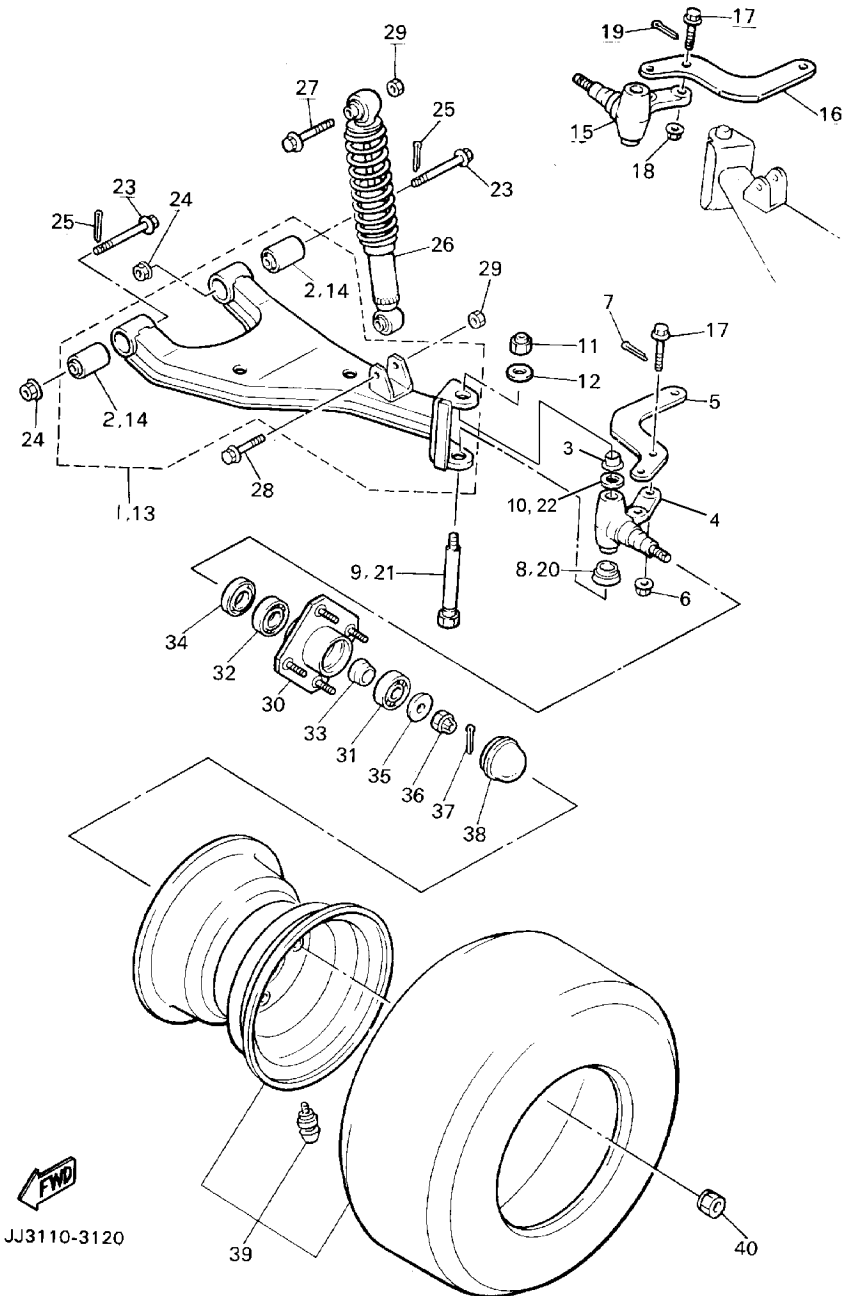
FRONT SUSPENSION WHEEL



Ref. No.	Part Number	Description	Qty	Remarks
1	JR3-F3570-00-00	FRONT LOWER ARM COMP. LEFT	1	
2	JN6-F3526-00-00	. BUSHING, ARM	2	
3	90386-15139-00	BUSH	2	
4	JR3-F3501-00-00	KNUCKLE, STEERING LEFT	1	
5	JN3-F3512-00-00	ARM, KNUCKLE	1	
6	95617-10200-00	NUT, SELF-LOCKING	2	
7	91401-25020-00	PIN, COTTER	2	
8	J38-23527-00-00	SEAL, DUST	1	
9	JJ3-F3516-00-00	PIN, STEERING KNUCKLE	1	
10	90201-156J2-00	WASHER, PLAIN	1	
11	95607-12200-00	NUT, SELF-LOCKING	2	
12	92907-12300-00	WASHER	2	
13	JR3-F3580-00-00	FRONT LOWER ARM COMP. RIGHT	1	
14	JN6-F3526-00-00	. BUSHING, ARM	2	
15	JR3-F3502-00-00	KNUCKLE, STEERING RIGHT	1	
16	JN3-F3512-00-00	ARM, KNUCKLE	1	
17	90105-10360-00	BOLT, FLANGE	4	
18	95607-10200-00	NUT, SELF-LOCKING	2	
19	91401-25020-00	PIN, COTTER	2	
20	J38-23527-00-00	SEAL, DUST	1	
21	JJ3-F3516-00-00	PIN, STEERING KNUCKLE	1	
22	90201-156J2-00	WASHER, PLAIN	1	
23	90105-10357-00	BOLT, FLANGE	4	
24	95617-10200-00	NUT, SELF-LOCKING	4	
25	91401-25020-00	PIN, COTTER	4	
26	JJ3-F3350-00-00	SHOCK ABSORBER ASSEMBLY	2	
27	97007-10065-00	BOLT	2	

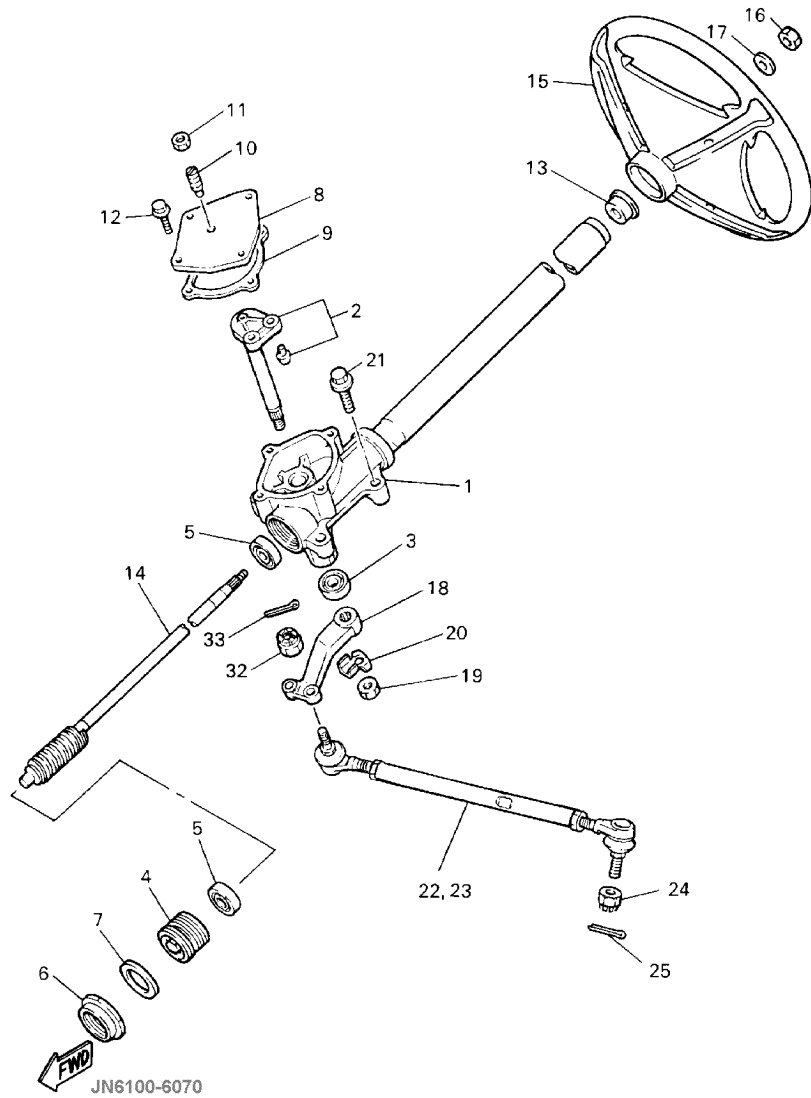
CONTINUED ON NEXT FRAME ►

FRONT SUSPENSION WHEEL



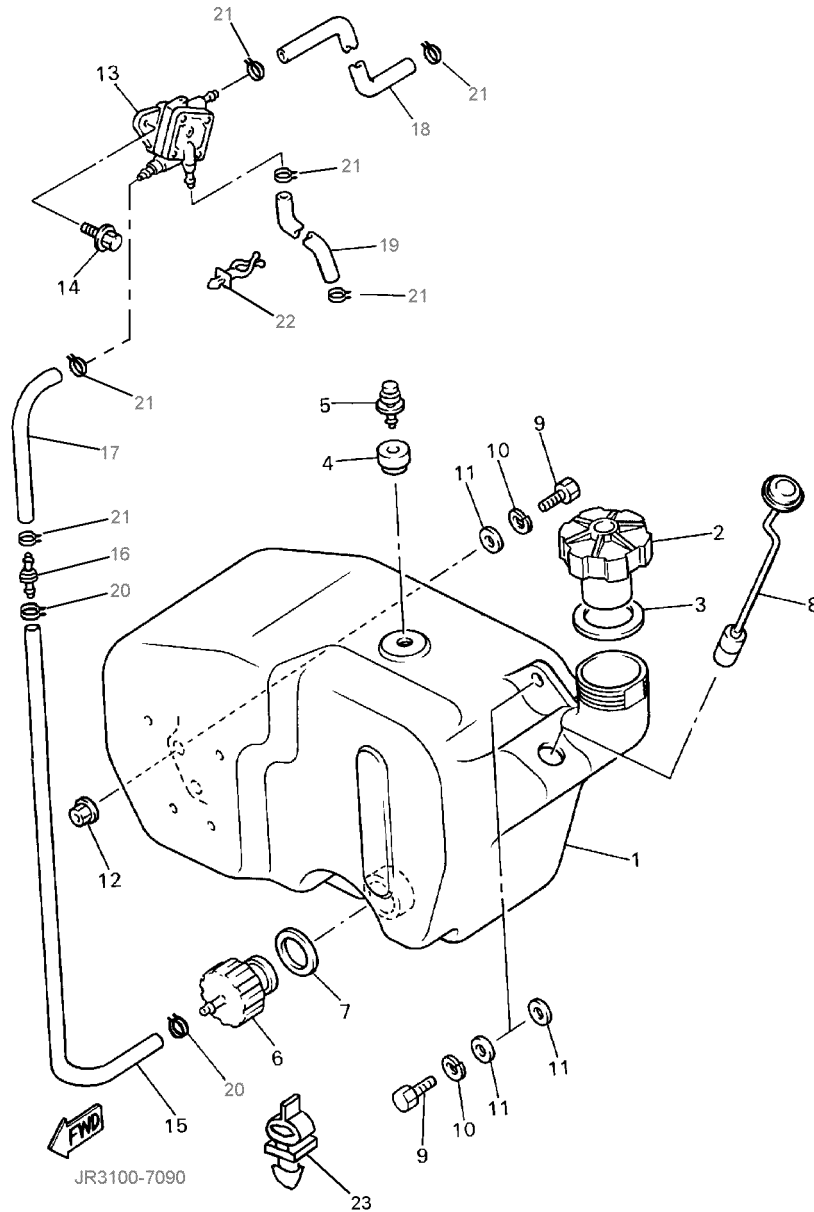
Ref. No.	Part Number	Description	Qty	Remarks
28	97017-10050-00	BOLT	2	
29	95617-10100-00	NUT, U	4	
30	JG5-WF511-00-00	HUB	2	
31	93306-204X0-00	BEARING	2	
32	93306-005Y3-00	BEARING	2	
33	90387-241M7-00	COLLAR	2	
34	93102-30083-00	SEAL, OIL	2	
35	90209-32271-00	WASHER	2	
36	95607-14100-00	NUT, U	2	
37	91401-25020-00	PIN, COTTER	2	
38	J17-25118-00-00	COVER, HUB DUST	2	
39	*---	FRONT WHEEL ASSEMBLY ..	2	
40	90179-12262-00	NUT	8	

STEERING



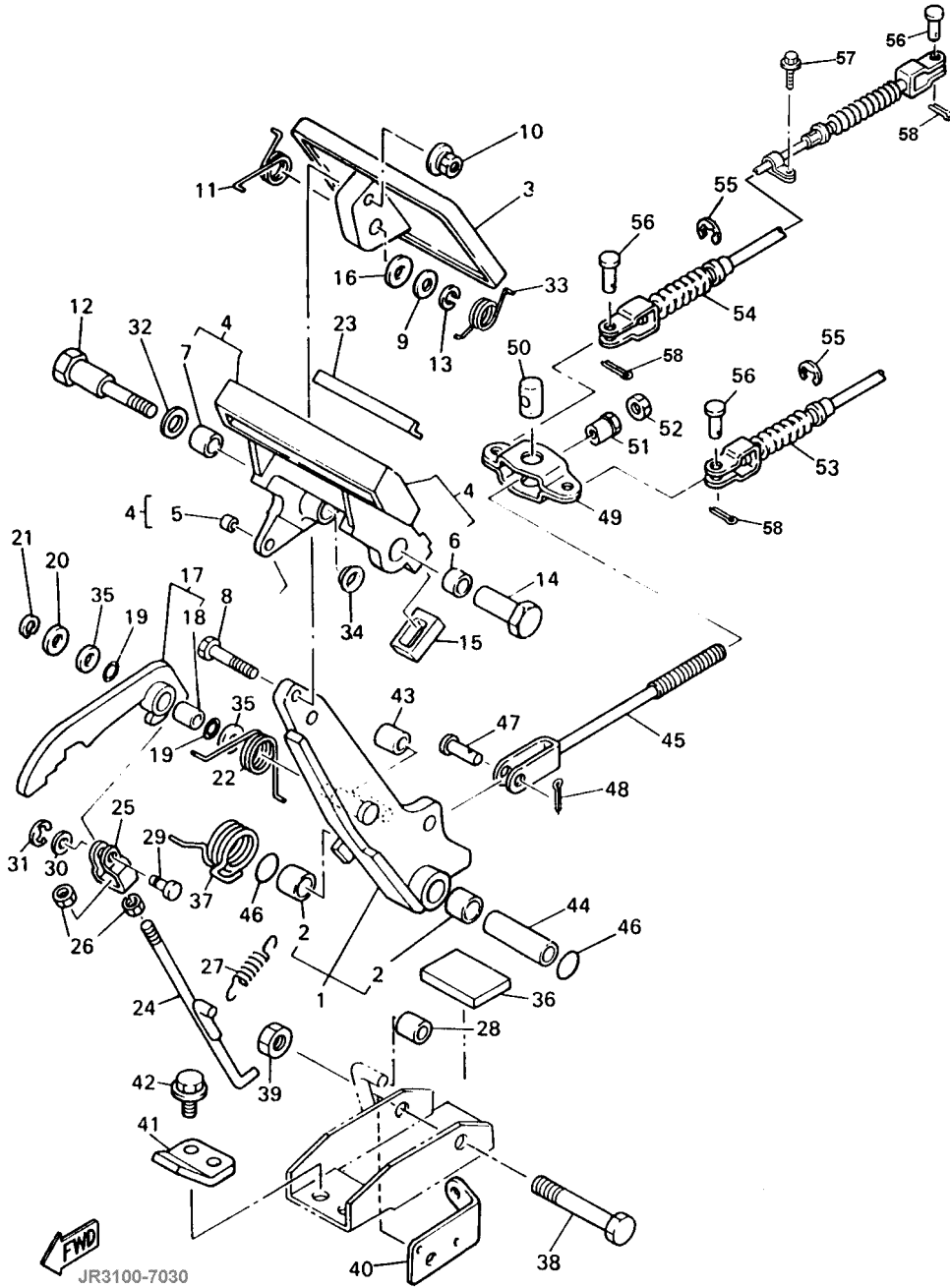
Ref. No.	Part Number	Description	Qty	Remarks
1	JG5-F3811-00-00	COLUMN, STEERING	1	
2	J38-23816-00-00	ARM, PITMAN	1	
3	93102-22314-00	SEAL, OIL	1	
4	J55-F3876-00-00	BOLT	1	
5	93332-000Y2-00	BEARING	2	
6	J10-23877-00-00	NUT	1	
7	J10-23444-00-00	WASHER	1	
8	JN3-F3818-00-00	COVER, STEERING	1	
9	J38-23462-01-00	SEAL, STEERING	1	
10	J10-23459-00-00	BOLT	1	
11	90170-08024-00	NUT, HEX.	1	
12	95817-06020-00	BOLT, FLANGE	4	
13	JN3-F3814-00-00	HOLDER, HANDLE	1	
14	J10-23840-00-00	STEERING SHAFT	1	
15	JN3-F3838-00-00	WHEEL, STEERING	1	
16	90185-12119-00	NUT, SELF-LOCKING	1	
17	92907-12200-00	WASHER, PLAIN	1	
18	J38-23826-01-00	ARM, IDLER	1	
19	95707-16300-00	NUT, NYLON	1	
20	90215-16252-00	WASHER, TONGUE	1	
21	95817-10050-00	BOLT, FLANGE	4	
22	JN3-F3830-00-00	TIE ROD ASSEMBLY, LEFT ...	1	
23	JN3-F3850-00-00	TIE ROD ASSEMBLY, RIGHT ..	1	
24	95617-10200-00	NUT, SELF-LOCKING	4	
25	91401-25020-00	PIN, COTTER	4	

FUEL TANK



Ref. No.	Part Number	Description	Qty	Remarks
1	J55-F4111-11-00	TANK, FUEL	1	
2	J24-24620-01-00	BODY CAP ASSEMBLY	1	
3	J10-24612-00-00	GASKET, CAP	1	
4	J10-21773-00-00	GROMMET	1	
5	J24-24460-01-00	RELEASE VALVE ASSEMBLY.	1	
6	8R4-24560-00-00	FILTER ASSEMBLY.	1	
7	8F3-24564-00-00	GASKET	1	
8	J38-85710-02-00	FUEL LEVEL GAUGE ASSEMBLY.	1	
9	97007-08025-00	BOLT	3	
10	92907-08100-00	WASHER, SPRING	3	
11	90201-086A3-00	WASHER, PLATE	4	
12	95617-08200-00	NUT, SELF-LOCKING (95607-08200-00)	2	
13	JN6-F4410-00-00	FUEL PUMP ASSEMBLY	1	
14	95807-06016-00	BOLT, FLANGE	2	
15	JR3-F4312-00-00	PIPE 2	1	
16	JR3-F4461-00-00	PIPE, JOINT	1	
17	JN6-F4311-00-00	PIPE, FUEL	1	
18	JN6-F4313-00-00	PIPE,	1	
19	JR3-F4314-00-00	PIPE 4	1	
20	90467-12845-00	CLIP	2	
21	90467-10846-00	CLIP	6	
22	90464-11816-00	CLAMP	1	
23	90464-12830-00	CLAMP	1	

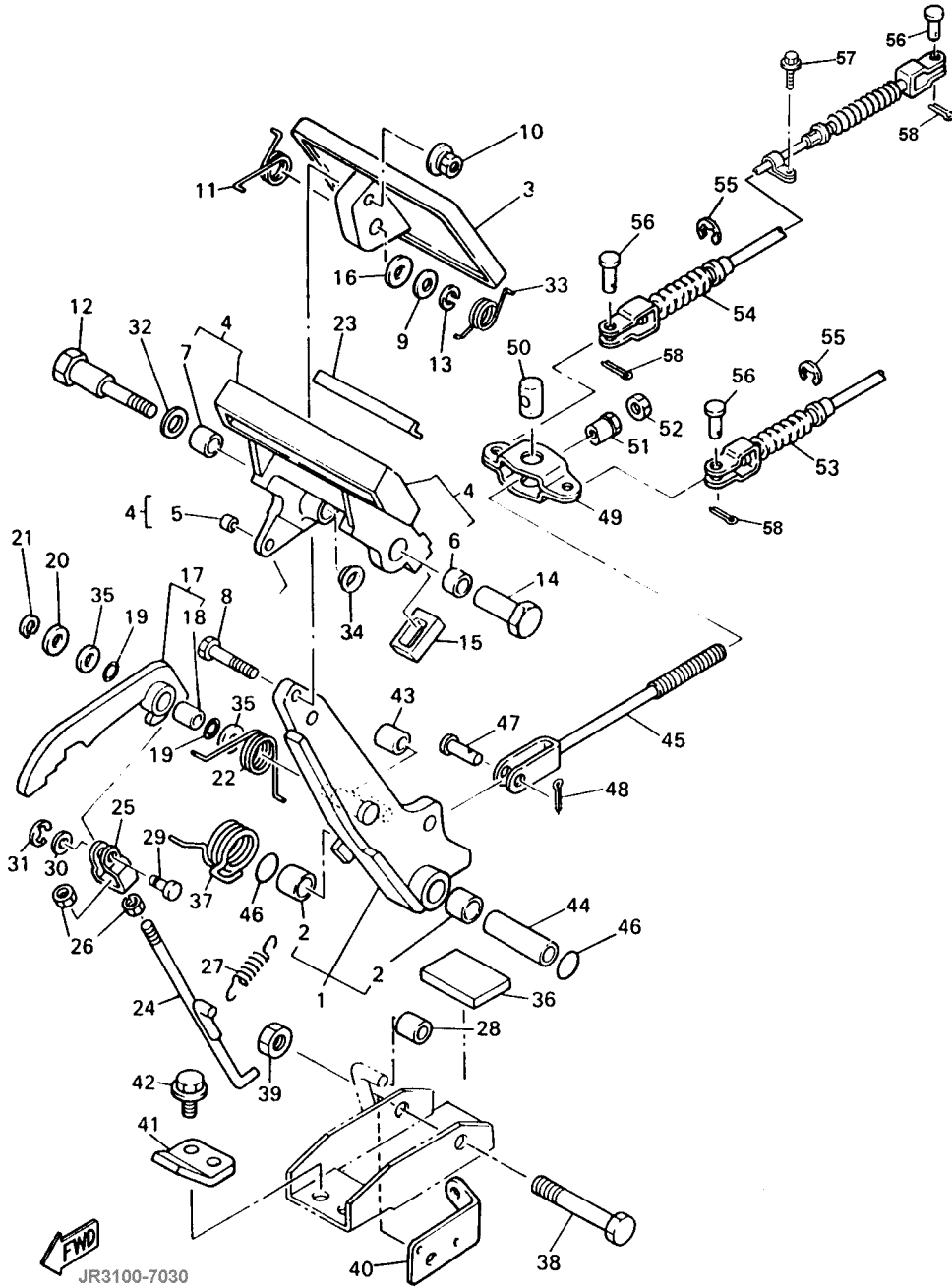
BRAKE



Ref. No.	Part Number	Description	Qty	Remarks
1	J46-27250-03-00	BRAKE ARM COMP	1	
2	90384-14080-00	. BUSH, BIMETAL	2	
3	J10-27211-00-00	PEDAL, BRAKE	1	
4	J17-25670-01-00	PARKING PEDAL COMP.	1	
5	90384-05163-00	. BUSH, BIMETAL	1	
6	90384-12164-00	. BUSH, BIMETAL	1	
7	90380-12051-00	. BUSH, SOLID	1	
8	90101-06555-00	BOLT, HEX.	1	
9	J55-27226-00-00	WASHER, LINK	1	
10	90179-07564-00	NUT	1	
11	90508-23542-00	SPRING, TORSION	1	
12	90109-08669-00	BOLT	1	
13	92907-08100-00	WASHER, SPRING	1	
14	90179-08378-00	NUT	1	
15	J17-25679-01-00	DAMPER	2	
16	92907-08200-00	WASHER	1	
17	J17-25666-02-00	SECTOR, PARKING BRAKE	1	
18	90384-10162-00	. BUSH, BIMETAL	1	
19	J17-27221-00-00	SEAL, SHAFT	2	
20	92907-10600-00	WASHER, PLATE	1	
21	99080-07600-00	CIRCLIP (E)	1	
22	90508-14548-00	SPRING, TORSION	1	
23	J17-25672-01-00	PAD, PARKING	1	
24	J17-27231-03-00	ROD, BRAKE	1	
25	J17-27232-00-00	END, ROD	1	
26	95317-06700-00	NUT	2	
27	90506-12277-00	SPRING, TENSION	1	
28	J17-25673-00-00	DAMPER, BRAKE	1	
29	J17-27228-00-00	PIN, LINK JOINT	1	

CONTINUED ON NEXT FRAME ➤

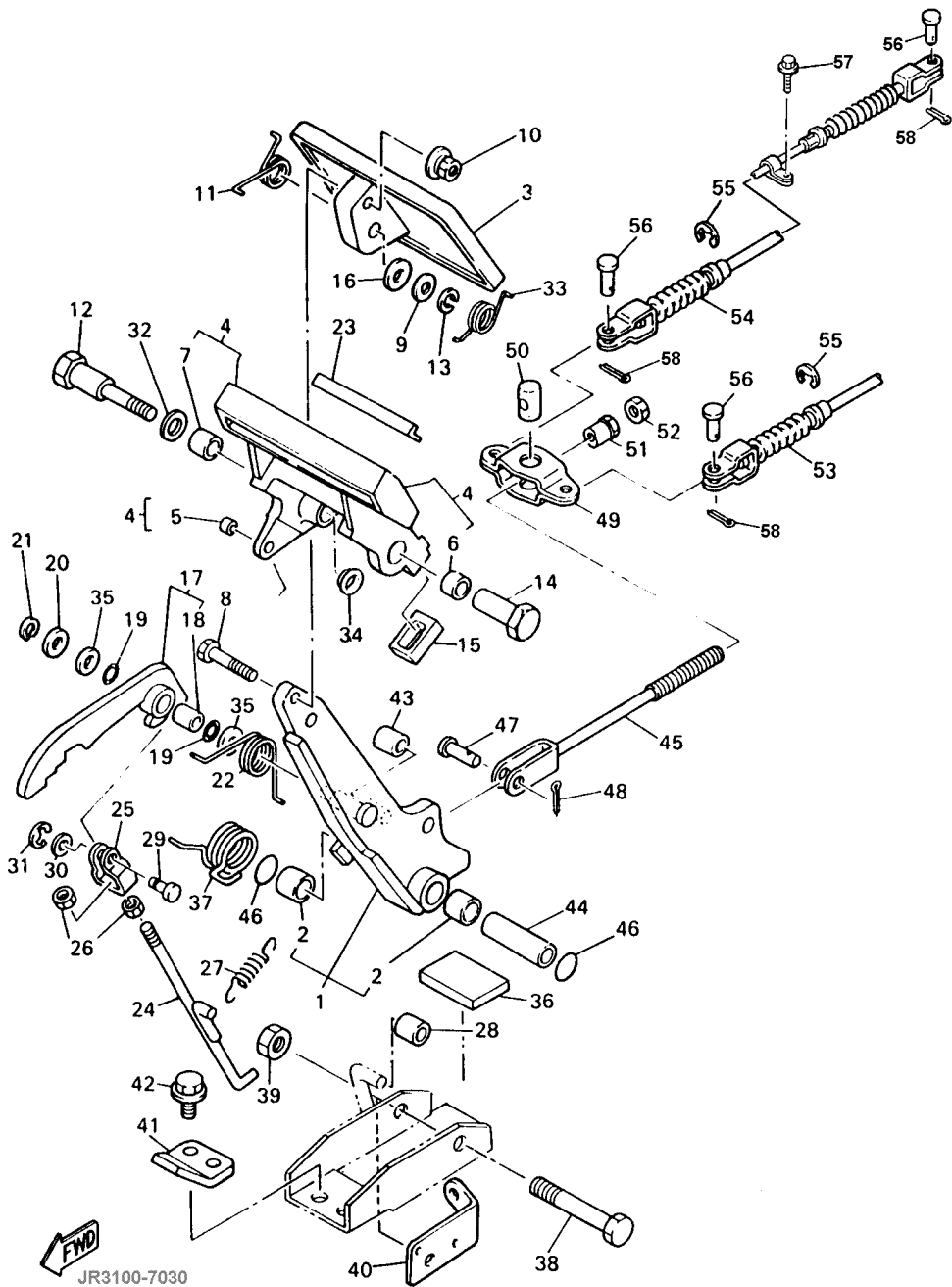
BRAKE



Ref. No.	Part Number	Description	Qty	Remarks
30	92907-05600-00	WASHER, PLATE	1	
31	99080-04600-00	CIRCLIP (E)	1	
32	90201-123F2-00	WASHER, PLAIN	1	
33	90508-26557-00	SPRING, TORSION	1	
34	90380-12105-00	BUSH, SOLID	1	
35	90201-104G8-00	WASHER, PLAIN	2	
36	JN3-F7245-00-00	PAD, BRAKE PEDAL	1	
37	90508-405A9-00	SPRING, TORSION	1	
38	90101-10447-00	BOLT, HEX.	1	
39	95617-10200-00	NUT, SELF-LOCKING	1	
40	J55-2252M-00-00	BRACKET,	1	
41	J17-27246-00-00	NAIL, BRAKE	1	
42	95807-08020-00	BOLT, FLANGE	2	
43	J17-25673-00-00	DAMPER, BRAKE	1	
44	90387-107F8-00	COLLAR	1	
45	J20-25685-00-00	ROD	1	
46	93210-132A8-00	O-RING	2	
47	91701-10022-00	PIN	1	
48	91490-30020-00	PIN, COTTER	1	
49	J10-25681-00-00	EQUALIZER, BRAKE	1	
50	90249-14129-00	PIN	1	
51	90179-08261-00	NUT	1	
52	95317-08700-00	NUT	1	
53	JJ3-F6341-00-00	WIRE, BRAKE 1	1	
54	JJ3-F6351-01-00	WIRE, BRAKE 2	1	
55	99001-09600-00	CIRCLIP	4	
56	91701-08018-00	PIN	4	
57	95817-06016-00	BOLT, FLANGE	2	
58	91490-25020-00	PIN, COTTER	4	

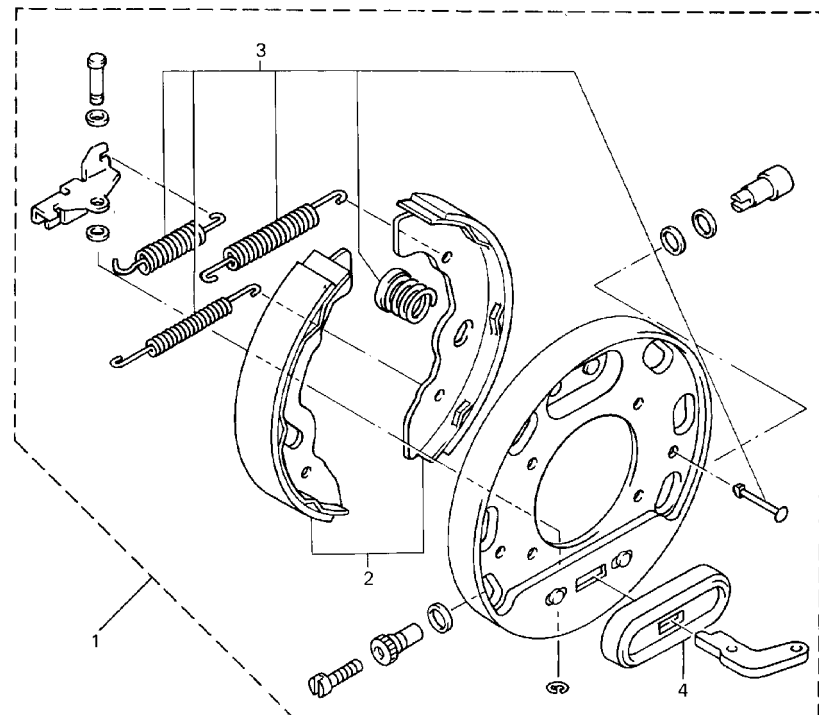
CONTINUED ON NEXT FRAME ➤

BRAKE



Ref. No.	Part Number	Description	Qty	Remarks
59	90464-19815-00	CLAMP	1	

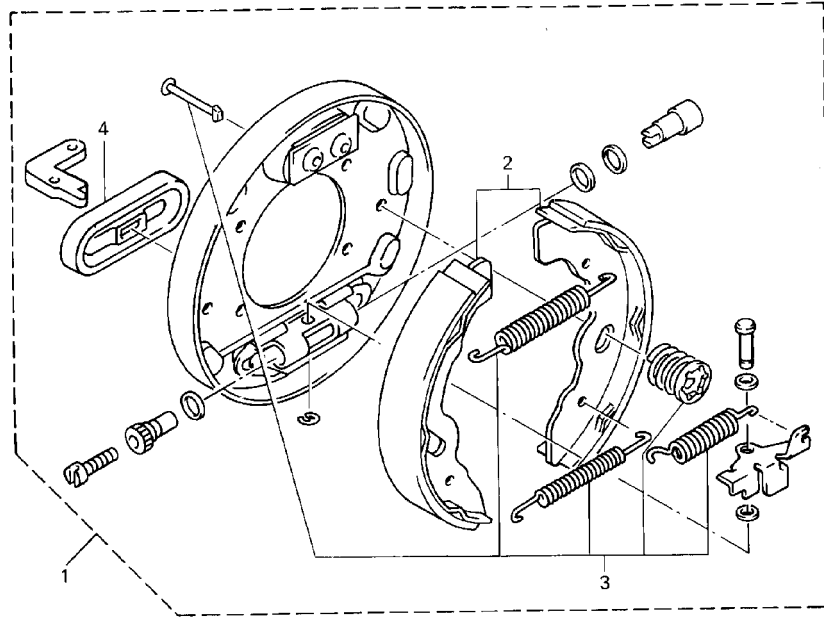
BRAKE 2



Ref. No.	Part Number	Description	Qty	Remarks
1	JN3-F7280-00-00	BACKING PLATE, (RH)	1	
2	JN3-F5340-00-00	. SHOE, BRAKE SET	1	
3	JG5-F819G-00-00	. REPAIR PARTS KIT	1	
4	JG5-F7286-00-00	. COVER, DUST	1	

 JN4100-5060

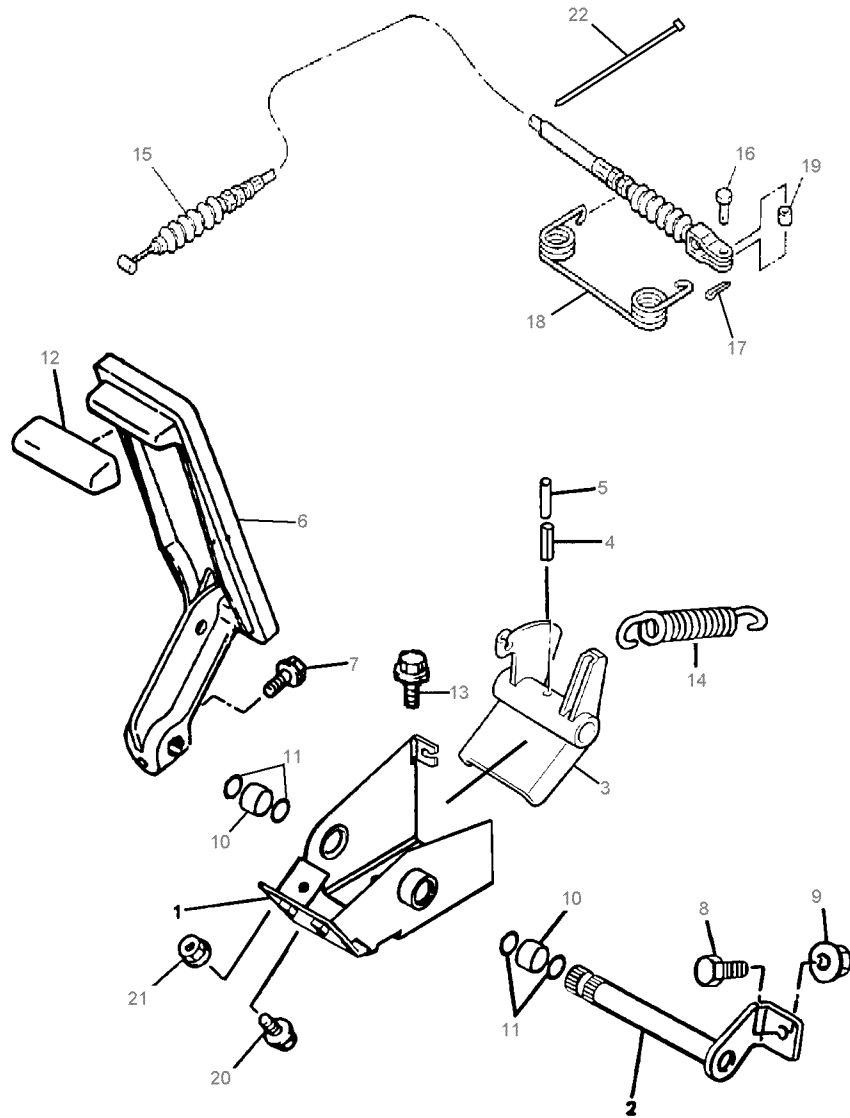
BRAKE 3



Ref. No.	Part Number	Description	Qty	Remarks
1	JN3-F7290-00-00	BACKING PLATE, LEFT	1	
2	JN3-F5330-00-00	. SHOE, BRAKE SET	1	
3	JG5-F819G-00-00	. REPAIR PARTS KIT	1	
4	JG5-F7286-00-00	. COVER, DUST	1	

 JN4100-5070

ACCELERATOR

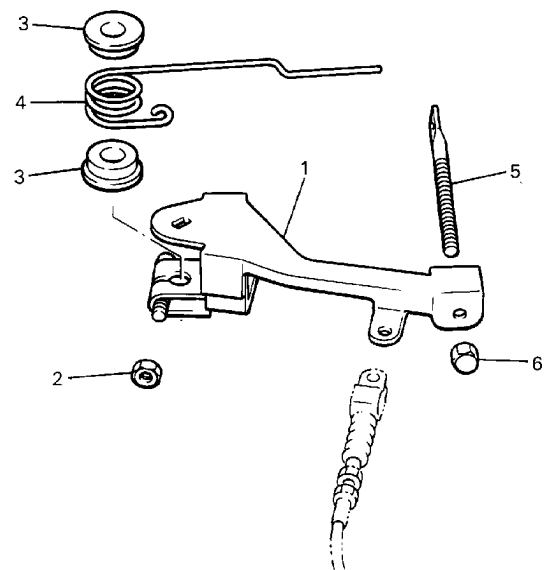


Ref. No.	Part Number	Description	Qty	Remarks
1	JN6-F7874-00-00	BRACKET, PEDAL	1	
2	J17-27853-01-00	SHAFT, PEDAL	1	
3	J38-27872-00-00	ARM, ACCELERATOR	1	
4	91609-60028-00	PIN, SPRING	1	
5	91609-35028-00	PIN, SPRING	1	
6	JF3-27871-00-00	PEDAL, ACCELERATOR	1	
7	95817-06025-00	BOLT, FLANGE	1	
8	90106-08040-00	BOLT, RD. HEX	1	
9	95707-08500-00	NUT, FLANGE	1	
10	90384-14080-00	BUSH, BIMETAL	2	
11	93210-14104-00	O-RING	4	
12	JN3-F7854-00-00	COVER, PEDAL	1	
13	95817-08016-00	BOLT, FLANGE	3	
14	90506-26282-00	SPRING, TENSION	1	
15	JJ3-F6311-00-00	WIRE, THROTTLE	1	
16	91702-05012-00	PIN	1	
17	90468-10050-00	CLIP	1	
18	90508-16460-00	SPRING, TORSION	1	
19	90560-05001-00	SPACER	1	
20	95817-06025-00	BOLT, FLANGE	1	
21	95707-06500-00	NUT, FLANGE	1	
22	90464-40825-00	CLAMP	2	



JN6100-6121

GOVERNOR

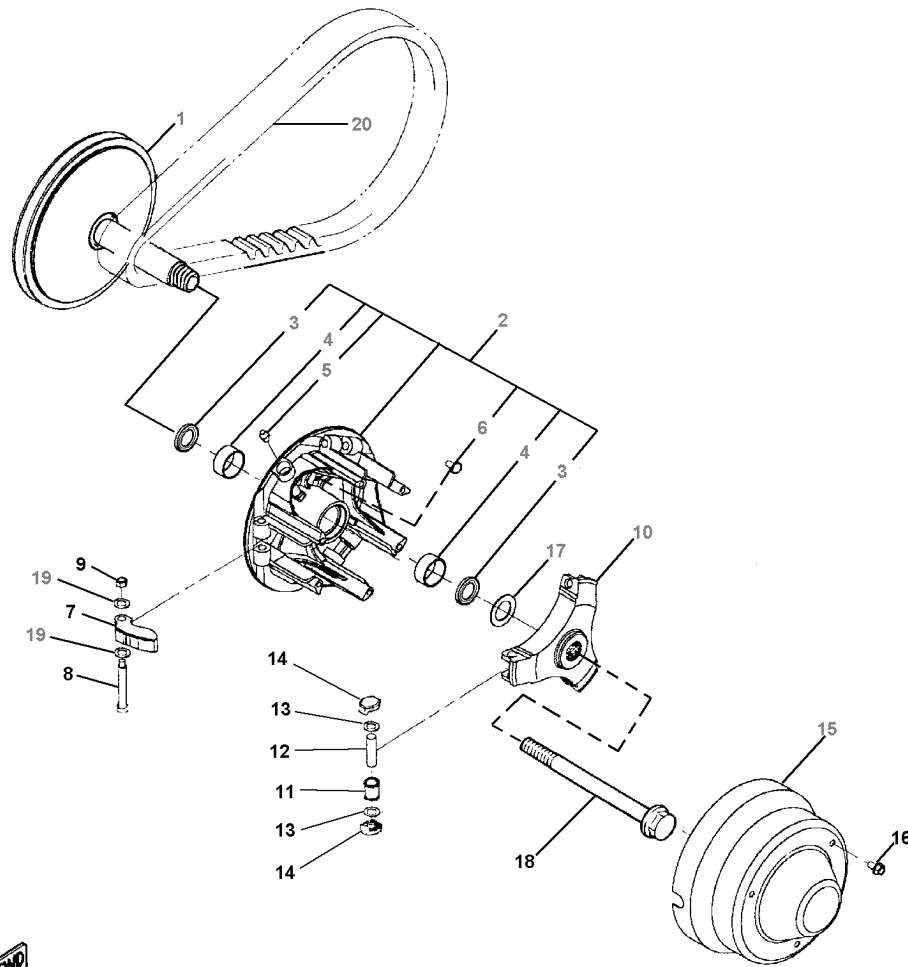


Ref. No.	Part Number	Description	Qty	Remarks
1	J38-27951-00-00	LEVER, SPEED	1	
2	95317-06600-00	NUT (95307-06600-00)	1	
3	90386-08141-00	BUSH	2	
4	90508-40678-00	SPRING, TORSION	1	
5	J38-27959-00-00	SCREW, ADJUSTING	1	
6	95607-06200-00	NUT, SELF U-FLANGE	1	



JN6100-6131

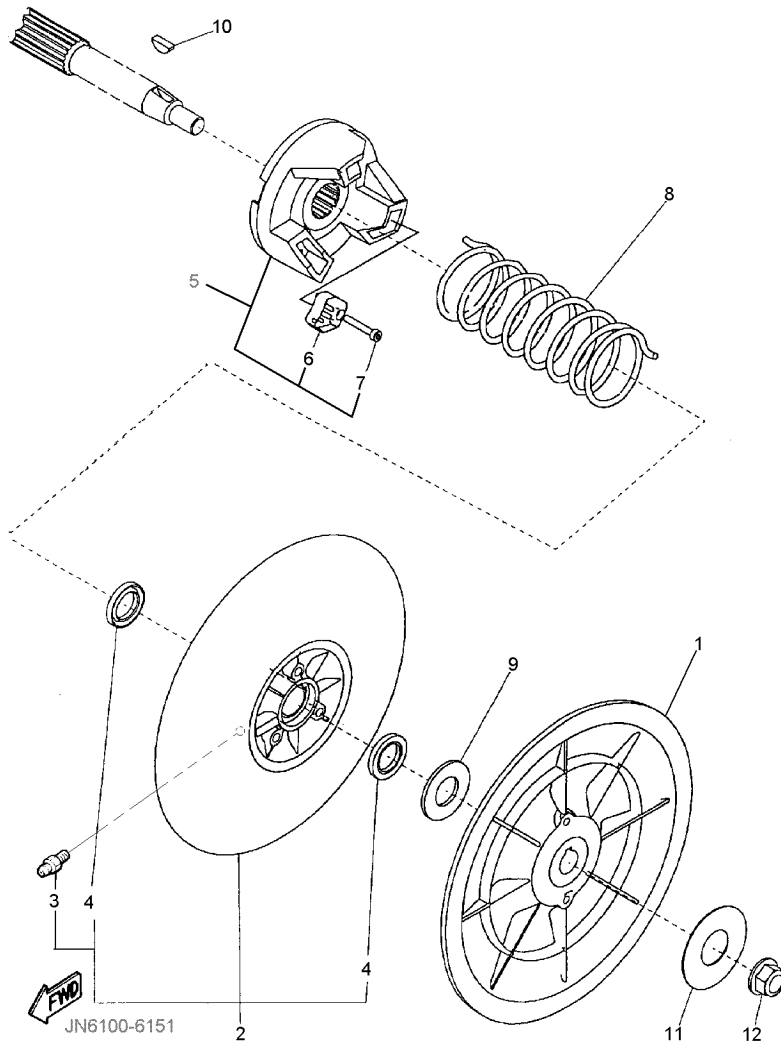
PRIMARY CLUTCH



Ref. No.	Part Number	Description	Qty	Remarks
1	JN6-G6210-00-00	PRIMARY FIXED SHEAVE	1	
2	JN6-G6220-00-00	PRIMARY SLIDING SHEAVE	1	
3	93101-28831-00	. SEAL, OIL	2	
4	90384-27823-00	. BUSH, BIMETAL	2	
5	93700-06810-00	. NIPPLE, GREASE	1	
6	90338-04840-00	. PLUG	3	
7	JN6-G6232-00-00	WEIGHT,	3	
8	90109-06860-00	BOLT	3	
9	90185-06834-00	NUT, SELF-LOCKING	3	
10	JN6-G6251-00-00	SPIDER	1	
11	JN6-G6258-00-00	COLLAR, ROLLER	3	
12	93610-358A3-00	PIN, DOWEL	3	
13	90201-098J1-00	WASHER, PLAIN	6	
14	JN6-G6253-00-00	SLIDER	6	
15	JN6-G6231-00-00	CAP	1	
16	90105-06861-00	BOLT, FLANGE	3	
17	90201-228K5-00	WASHER, PLAIN	1	
18	JN6-G6249-00-00	BOLT	1	
19	JN6-G621F-00-00	SHIM, THRUST	6	
20	J55-G6241-00-00	BELT	1	

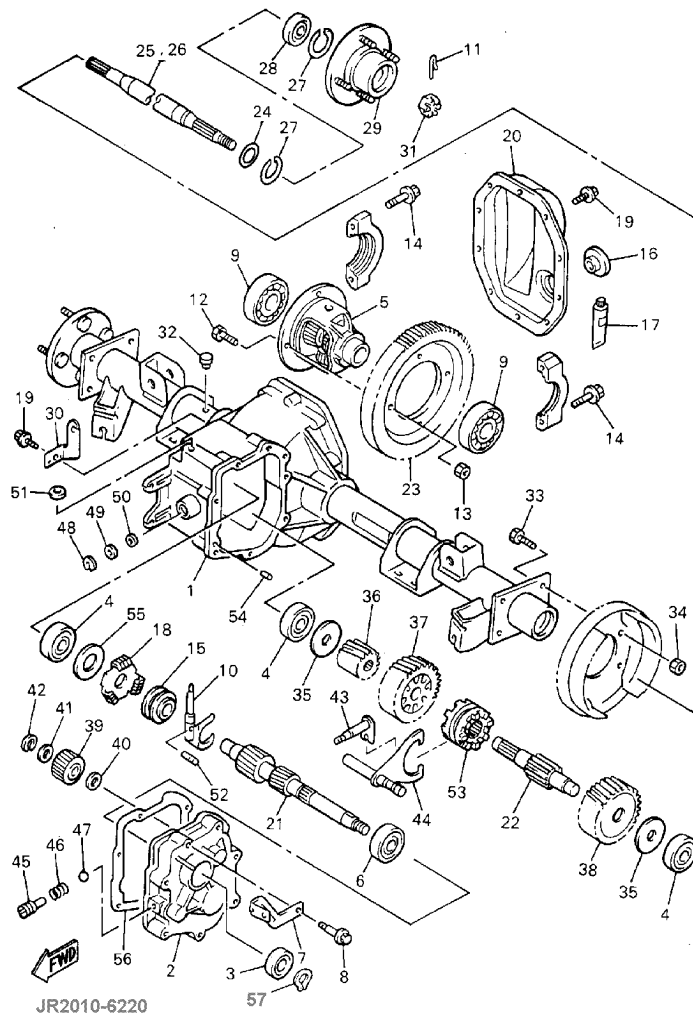
FWD JN6100-6140

SECONDARY SHEAVE



Ref. No.	Part Number	Description	Qty	Remarks
1	JN6-G6260-00-00	SECONDARY FIXED SHEAVE .	1	
2	JN6-G6270-00-00	SECONDARY SLIDING SHEAVE	1	
3	93700-06809-00	. NIPPLE, GREASE	1	
4	93102-20309-00	. SEAL, OIL	2	
5	JN6-G6280-00-00	SECONDARY SPRING SEAT ..	1	
6	JN6-E7688-00-00	. SHOE, RAMP	3	
7	90110-04834-00	. BOLT, HEX. SOCKET	3	
8	90508-45849-00	SPRING, TORSION	1	L=135mm 1. 5
9	90202-20130-00	WASHER, PLAIN	1	
10	90280-05022-00	KEY, WOODRUFF	1	
11	90201-12588-00	WASHER, PLATE	1	
12	95607-12200-00	NUT, SELF-LOCKING	1	

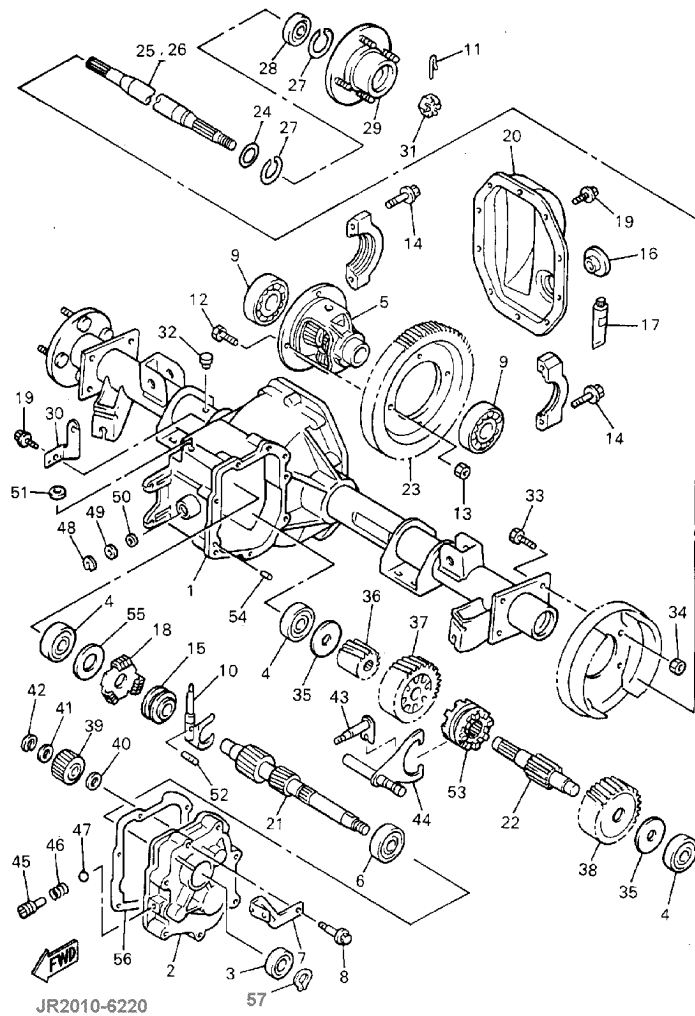
TRANSMISSION 1



Ref. No.	Part Number	Description	Qty	Remarks
1	JR3-G6290-00-00	CASE ASSEMBLY	1	
2	JN3-G6313-00-00	COVER, TRANSMISSION	1	
3	93102-25868-00	SEAL, OIL	1	
4	93306-303Y6-00	BEARING	3	
5	JN3-G6410-00-00	DIFFERENTIAL ASSEMBLY. ..	1	
6	93306-005Y4-00	BEARING	1	
7	JN6-G6555-00-00	BRACKET,	1	
8	90105-08859-00	BOLT, FLANGE	7	
9	93306-007Y0-00	BEARING	2	
10	JN3-G633E-00-00	BAR,	1	
11	90252-36801-00	PIN, SPLIT	2	
12	90101-10854-00	BOLT, HEX.	4	
13	90170-10840-00	NUT, HEX.	4	
14	90105-10840-00	BOLT, FLANGE	4	
15	JN3-G6368-00-00	COLLAR, IDLER	1	
16	JN3-G6432-00-00	STOPPER	1	
17	ACC-QUICK-GS-KT	SEALANT	1	
18	JN3-G6336-00-00	PLATE, 1	1	
19	90101-08856-00	BOLT, HEX.	11	
20	JN3-G6314-00-00	COVER, TRANSMISSION	1	
21	JR3-G6321-00-00	SHAFT, INPUT	1	
22	JN3-G633G-00-00	SHAFT	1	
23	JN3-G6355-00-00	GEAR, PRIMARY	1	
24	93101-31836-00	SEAL, OIL	2	
25	JR3-G6511-00-00	SHAFT, RR. AXLE	1	
26	JR3-G6512-00-00	SHAFT, RR. AXLE	1	
27	93420-52806-00	CIRCLIP	4	
28	93306-205X2-00	BEARING	2	
29	JR3-G6514-00-00	HUB, RR. AXLE	2	

CONTINUED ON NEXT FRAME ►

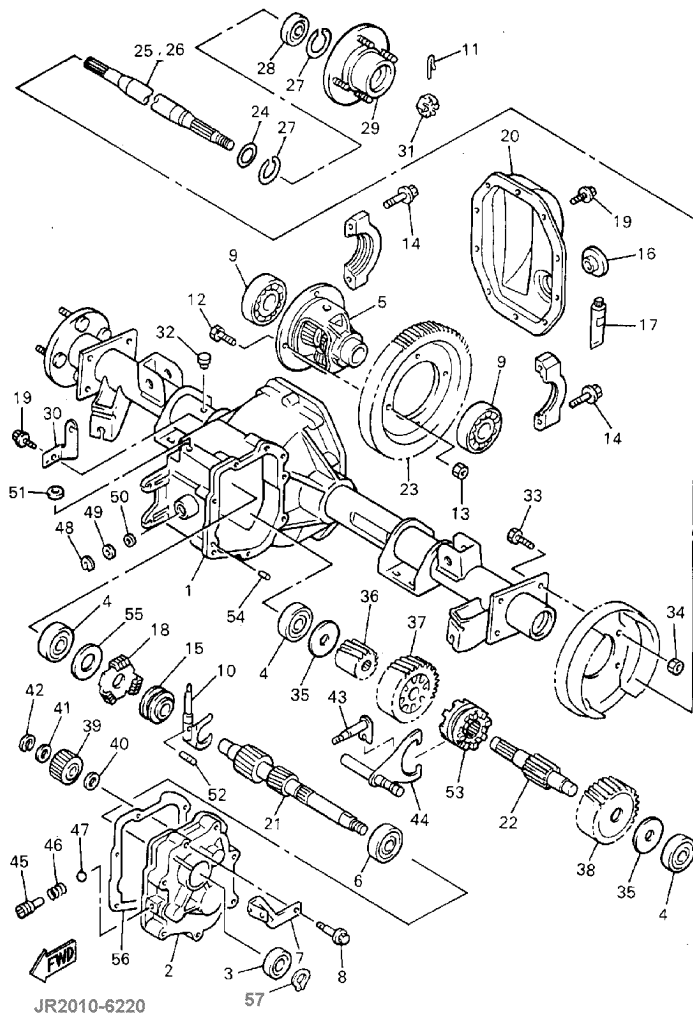
TRANSMISSION 1



Ref. No.	Part Number	Description	Qty	Remarks
30	JN3-G6556-00-00	BRACKET,	1	
31	90185-19842-00	NUT, SELF-LOCKING	2	
32	JH7-G5619-00-00	CAP	1	
33	90101-08855-00	BOLT, HEX.	8	
34	90170-08841-00	NUT, HEX.	8	
35	90201-178H8-00	WASHER, PLAIN	2	
36	JN3-G6316-00-00	GEAR, PINION	1	
37	JR3-G6326-00-00	GEAR, WHEEL 1	1	
38	JN3-G6327-00-00	GEAR, WHEEL	1	
39	JN3-G6356-00-00	GEAR, IDLER	1	
40	90201-208H9-00	WASHER, PLAIN	1	
41	90201-208J0-00	WASHER, PLAIN	1	
42	93440-20813-00	CIRCLIP	1	
43	JN3-G638A-00-00	BAR, SHIFT	1	
44	JN3-G638E-00-00	BAR, SHIFT	1	
45	90113-08803-00	BOLT, SET	1	
46	90501-10852-00	SPRING, COMPRESSION	1	
47	93500-06826-00	BALL	1	
48	93410-12822-00	CIRCLIP	1	
49	90202-12807-00	WASHER, PLAIN	1	
50	93104-11829-00	SEAL, OIL	1	
51	93109-10820-00	SEAL, OIL	1	
52	JN3-G6249-00-00	BOLT	1	
53	JN3-G6153-00-00	COLLAR, GUIDE	1	
54	93606-10842-00	PIN, DOWEL	2	
55	JN3-G6344-00-00	SHIM	1	0. 76mm (0. 030in)
	JN3-G6344-10-00	SHIM	1	0. 90mm (0. 035IN)
	JN3-G6344-20-00	SHIM	1	1. 0mm (0. 040IN)
	JN3-G6344-30-00	SHIM	1	1. 14mm (0. 045IN)

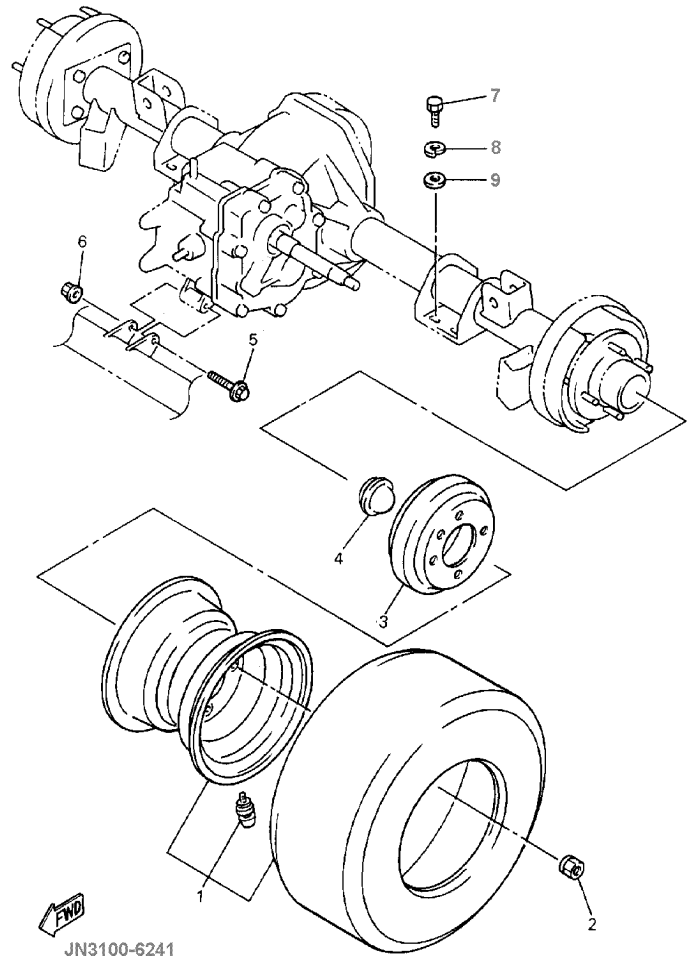
CONTINUED ON NEXT FRAME ►

TRANSMISSION 1



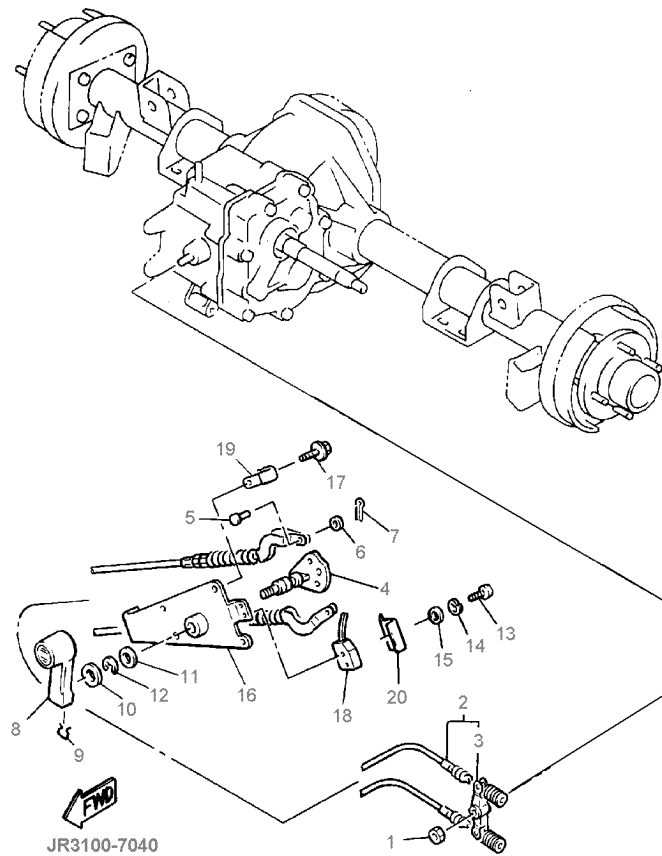
Ref. No.	Part Number	Description	Qty	Remarks
55	JN3-G6344-40-00	SHIM	1	1. 27mm (0. 050IN)
	JN3-G6344-50-00	SHIM	1	1. 39mm (0. 055IN)
	JN3-G6344-60-00	SHIM	1	1. 52mm (0. 060IN)
	JN3-G6344-70-00	SHIM	1	1. 65mm (0. 065IN)
	JN3-G6344-80-00	SHIM	1	0. 38mm (0. 015IN)
	JN3-G6344-90-00	SHIM	1	1. 78mm (0. 070IN)
	JN3-G6344-A0-00	SHIM	1	1. 92mm (0. 075IN)
	JN3-G6344-B0-00	SHIM	1	2. 03mm (0. 080IN)
	JN3-G6344-C0-00	SHIM	1	2. 12mm (0. 085)
	JN3-G6344-D0-00	SHIM	1	2. 29mm (0. 090IN)
56	JN3-G6319-00-00	GASKET	1	
57	93410-25017-00	CIRCLIP	1	

REAR AXLE MOUNT WHEEL



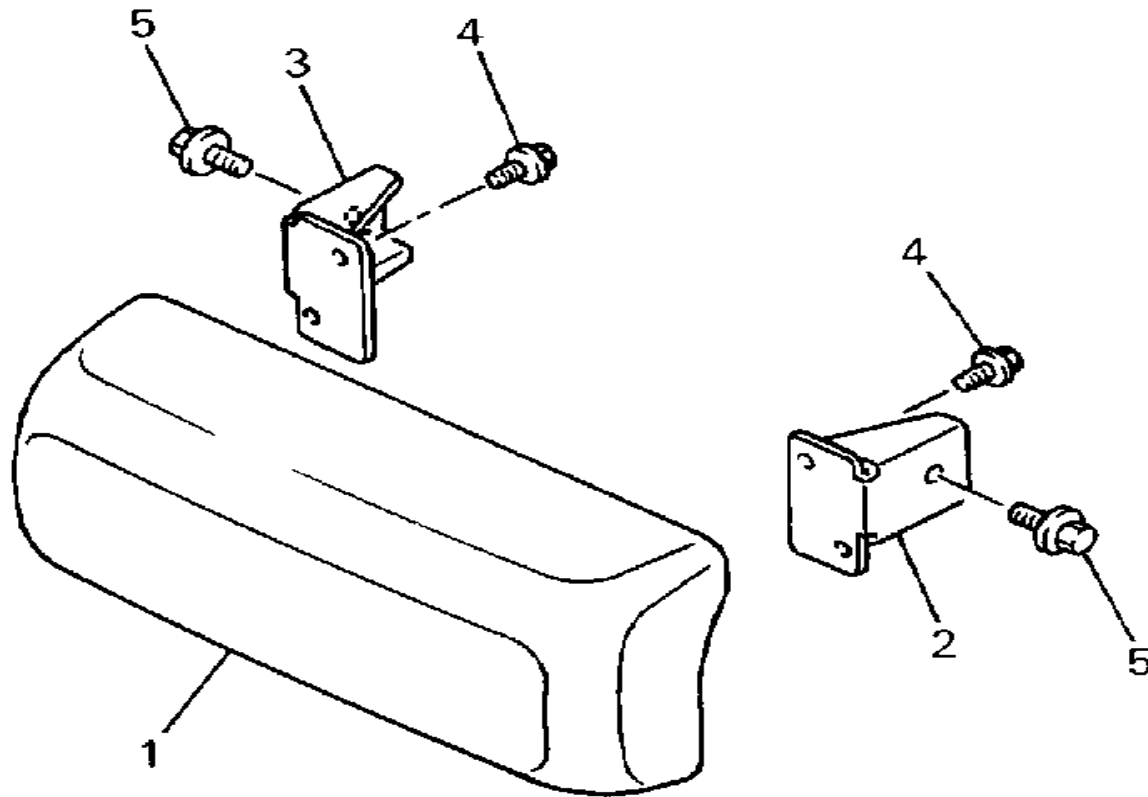
Ref. No.	Part Number	Description	Qty	Remarks
2	90179-12262-00	NUT	8	
3	J55-G6521-00-00	DRUM	2	
4	J17-25118-00-00	COVER, HUB DUST	2	
5	95817-08075-00	BOLT, FLANGE	1	
6	95707-08500-00	NUT, FLANGE	1	
7	97017-10020-00	BOLT	8	
8	92907-10100-00	WASHER, SPRING	8	
9	90201-102G9-00	WASHER, PLATE	8	

SHIFTER CABLES



Ref. No.	Part Number	Description	Qty	Remarks
1	95617-08100-00	NUT, U	1	
2	JN3-G8330-00-00	CABLE, SHIFT	2	
3	J55-G6383-00-00	. LEVER, SHIFT	1	
4	JF2-46382-00-00	LEVER, SHIFT	1	
5	91702-06014-00	PIN	2	
6	92907-06600-00	WASHER, PLATE	2	
7	91490-20015-00	PIN, COTTER	2	
8	JN3-G6381-00-00	KNOB, SHIFT	1	
9	JN3-G6376-00-00	SPRING SET	1	
10	90201-201L9-00	WASHER, PLAIN	1	
11	90201-19551-00	WASHER, PLAIN	1	
12	99009-19400-00	CIRCLIP	1	
13	98507-04016-00	SCREW, PAN HEAD	2	
14	92907-04100-00	WASHER, SPRING	2	
15	92907-04600-00	WASHER	2	
16	JN3-G6372-00-00	BRACKET, SHIFT	1	
17	95817-06016-00	BOLT, FLANGE	4	
18	JN3-82617-01-00	SWITCH	1	
19	90465-06038-00	CLAMP	1	
20	JJ3-G6394-00-00	JOINT	1	

BUMPER

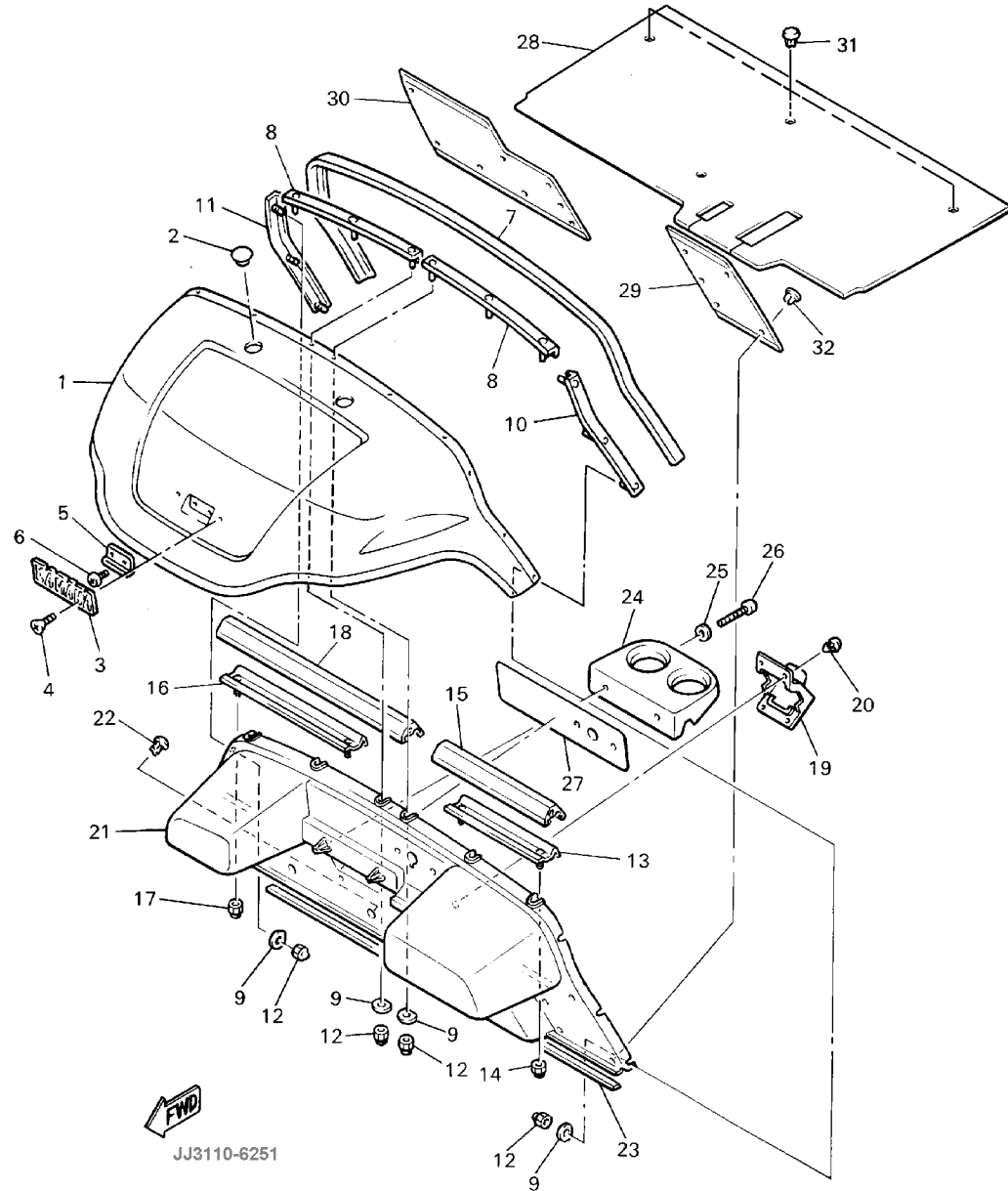


Ref. No.	Part Number	Description	Qty	Remarks
1	JN3-K7510-00-00	FRONT BUMPER COMP.	1	
2	JN3-K8164-00-00	STAY, FR. BUMPER	1	
3	JN3-K8165-00-00	STAY, FR. BUMPER	1	
4	95817-06016-00	BOLT, FLANGE	4	
5	95817-08016-00	BOLT, FLANGE	2	



JR3100-7050

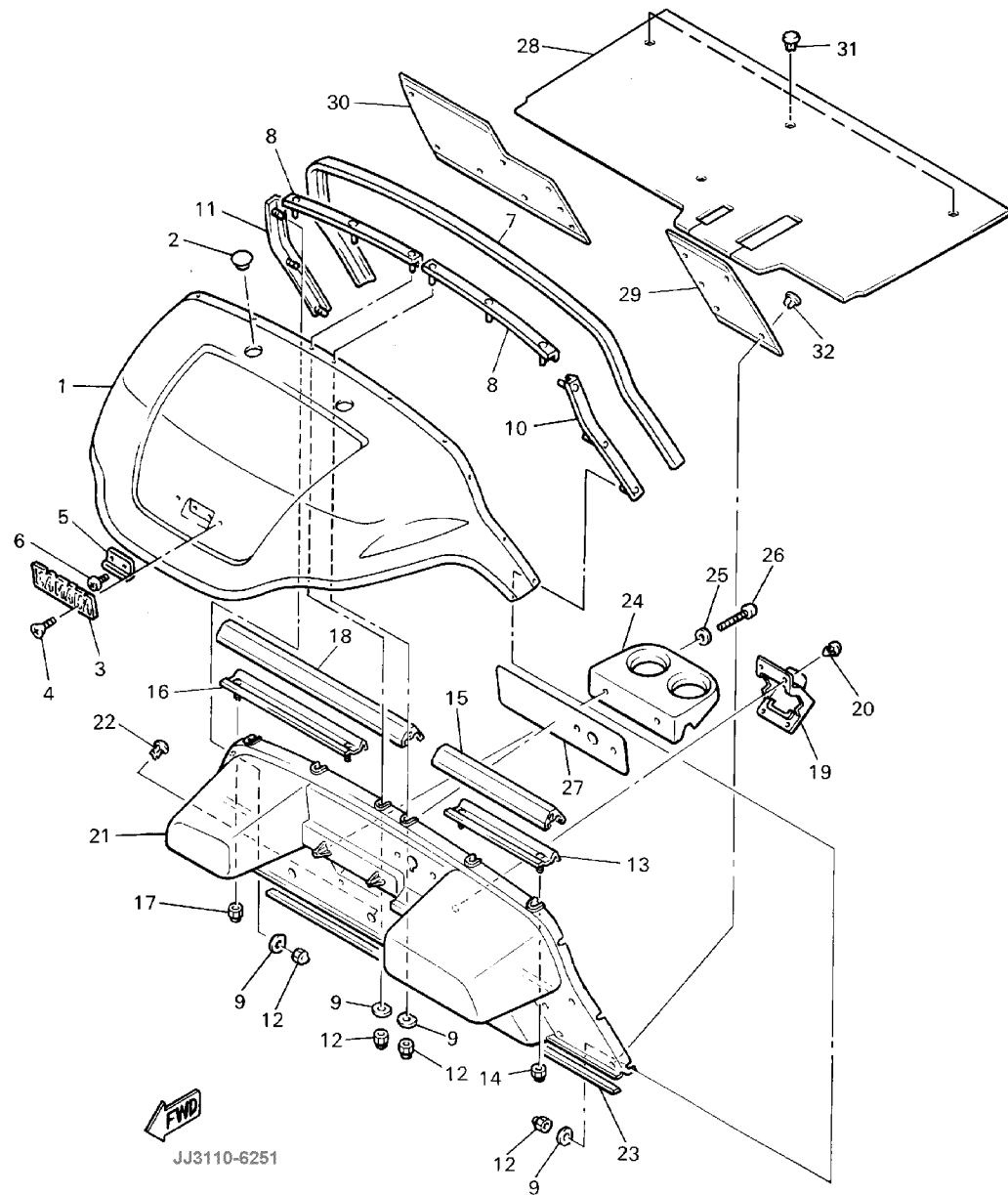
BODY



Ref. No.	Part Number	Description	Qty	Remarks
1	JN3-K8115-20-00	COWL, FRONT	1	GRAY
2	JN3-K818E-00-00	CAP, PROTECTOR	2	
3	JN6-F4161-00-00	EMBLEM,	1	
4	90162-04002-00	SCREW, OVAL C	2	
5	JF2-K811G-00-00	BOLT, COWL FITTING	1	
6	98980-06016-00	SCREW, BINDING	2	
7	JF2-K811V-00-00	PROTECTOR,	1	
8	JF2-K8261-00-00	PLATE, BODY PROTECTOR	2	
9	JN3-K8117-00-00	PLATE,	12	
10	JF2-K8262-00-00	PLATE, BODY PROTECTOR	1	
11	JF2-K8263-00-00	PLATE, BODY PROTECTOR	1	
12	90185-06836-00	NUT, SELF LOCKING	12	
13	JF2-K8264-00-00	PLATE, BODY PROTECTOR	1	
14	95607-06200-00	NUT, SELF U-FLANGE	2	
15	JF2-K811W-00-00	PROTECTOR 2	1	
16	JF2-K8265-00-00	PLATE, BODY PROTECTOR 5	1	
17	95607-06200-00	NUT, SELF U-FLANGE	2	
18	JF2-K811X-00-00	PROTECTOR 3	1	
19	JF2-78273-00-00	COVER, HOLE	1	
20	90269-11042-00	RIVET	4	
21	JF2-K8114-02-00	PANEL, FRONT	1	
22	90269-08069-00	RIVET	3	
23	JN3-K815G-00-00	SEAL, FRONT STORAGE	1	
24	JF2-K835E-00-00	HOLDER, BEVERAGE	1	
25	90201-060A3-00	WASHER, PLATE	2	
26	97707-60130-00	SCREW, PAN HEAD	2	
27	JJ3-K7761-00-00	LABEL, WARNING 8	1	
28	JN6-K8233-00-00	MAT, MAIN FLOOR 3	1	
29	JN6-K8231-00-00	MAT, MAIN FLOOR	1	

CONTINUED ON NEXT FRAME ➤

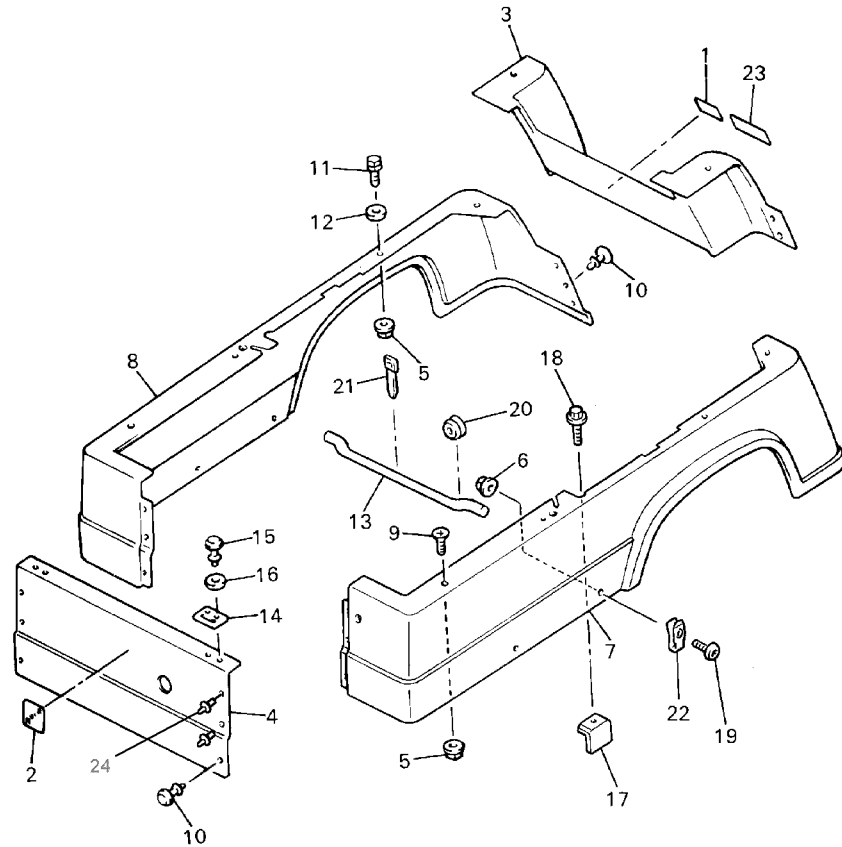
BODY



JJ3110-6251

Ref. No.	Part Number	Description	Qty	Remarks
30	JN6-K8232-00-00	MAT, MAIN FLOOR	1	
31	90269-08813-00	RIVET	4	
32	90267-63047-00	RIVET, BLIND	9	

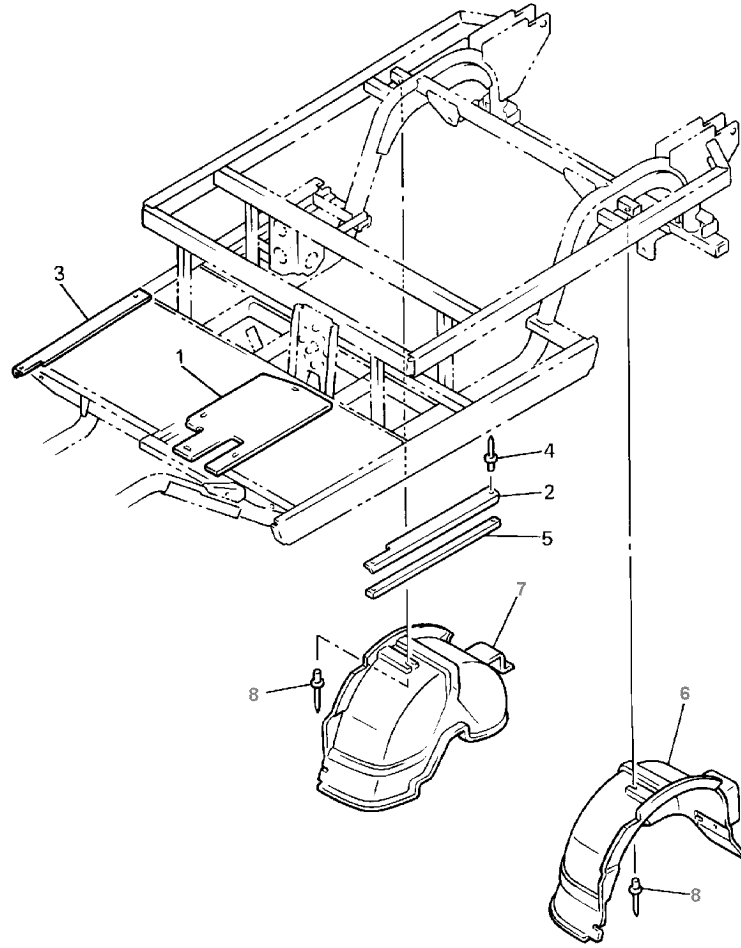
BODY 2



JJ3110-6260

Ref. No.	Part Number	Description	Qty	Remarks
1	JJ3-K7765-00-00	LABEL, WARNING 5	1	
2	JN3-K7741-00-00	INDICATOR,	1	
3	JJ3-K8142-11-00	PANEL, REAR BODY	1	
4	JJ3-K8141-10-00	PANEL, INTERMEDIATE BODY	1	
5	90183-06810-00	NUT, SPRING	10	
6	90183-06811-00	NUT, SPRING	4	
7	JJ3-K8111-12-00	PANEL, BODY SHELL	1	
8	JJ3-K8112-12-00	PANEL, BODY SHELL	1	
9	90151-06040-00	SCREW, COUNTERSUNK	2	
10	90267-62841-00	RIVET, BLIND	6	
11	90119-06915-00	BOLT, WITH WASHER	8	
12	90201-065F3-00	WASHER, PLATE	8	
13	JJ3-K8226-00-00	ROD, SEAT STOPPER	1	
14	JJ3-K8427-01-00	HINGE, SEAT 2	2	
15	90267-64834-00	RIVET, BLIND	4	
16	90201-08681-00	WASHER, PLATE	4	
17	JJ3-K814H-00-00	HOOK, BODY LOCK	2	
18	90119-08903-00	BOLT, WITH WASHER	2	
19	90110-06200-00	BOLT, HEXAGON SOCKET HEAD	4	
20	90480-13018-00	GROMMET	1	
21	90464-10814-00	CLAMP	1	
22	JJ3-K8167-01-00	BUMPER, RUBBER 1	2	
23	JJ3-K7768-00-00	LABEL, WARNING	1	
24	90267-36853-00	RIVET, BLIND	4	

BODY FITTING

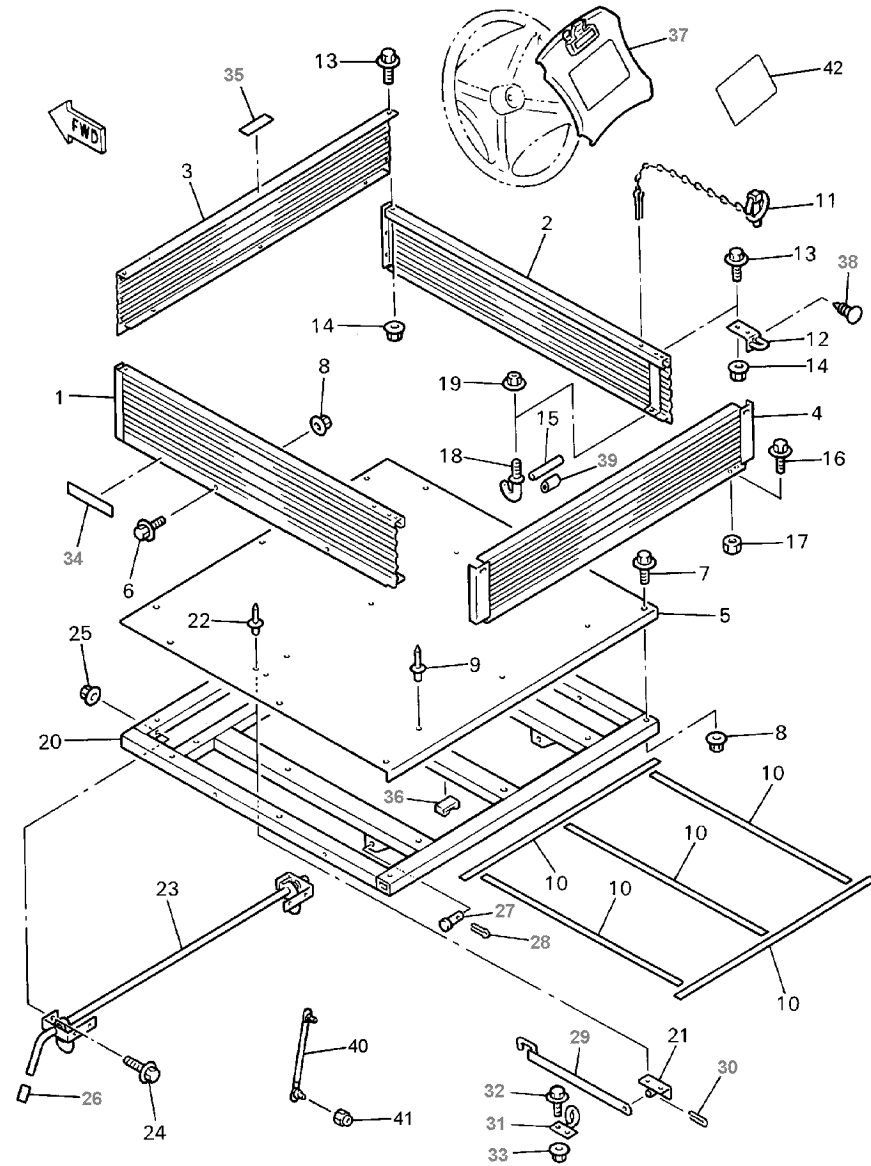


Ref. No.	Part Number	Description	Qty	Remarks
1	JN6-K8271-00-00	SERVICE LID	1	
2	JF2-K8215-10-00	PLATE, SIDE TRIM	1	
3	JF2-K821F-10-00	PLATE, SIDE TRIM	1	
4	90267-48154-00	RIVET, BLIND	4	
5	JJ3-K8124-00-00	REINFORCEMENT 4	2	
6	JJ3-K8191-00-00	PANEL, REAR FENDER 1	1	
7	JJ3-K8192-00-00	PANEL, REAR FENDER 2	1	
8	90267-48101-00	RIVET, BLIND	6	



JR3100-7060

CARRIER

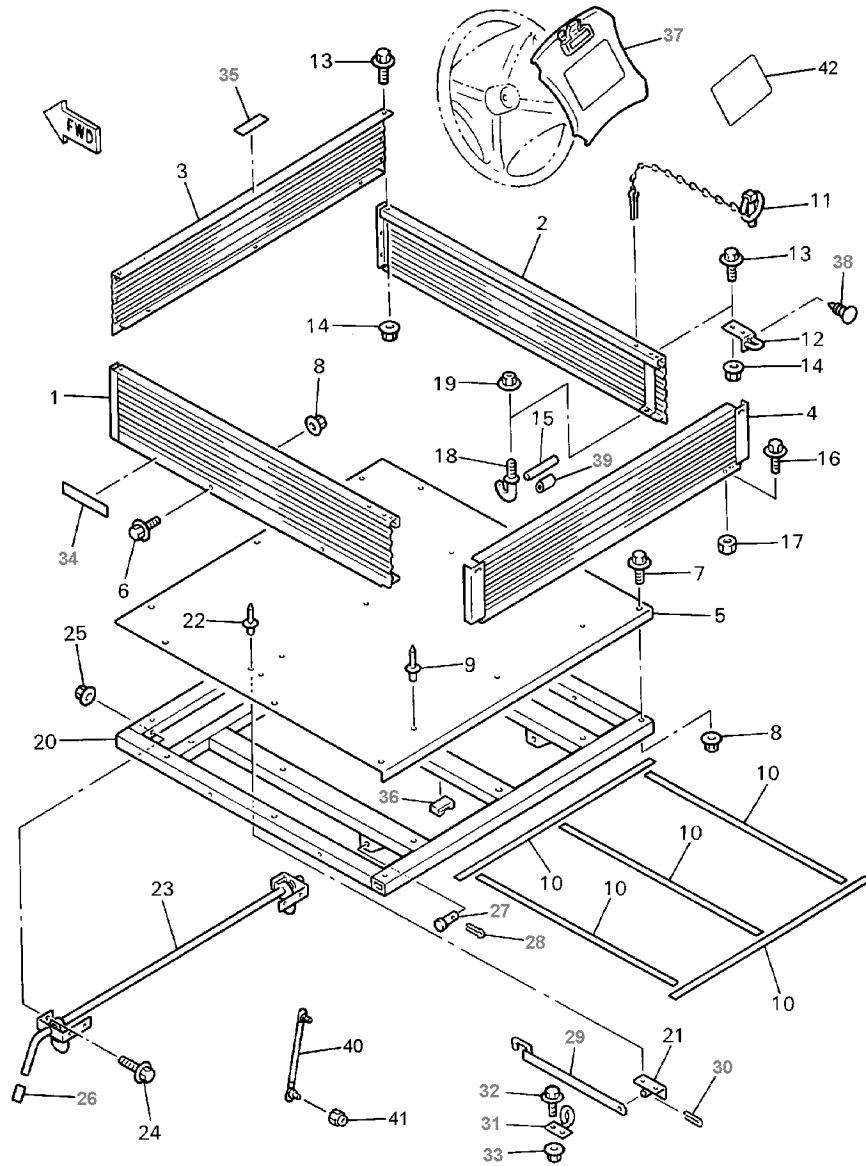


JJ3110-6282

Ref. No.	Part Number	Description	Qty	Remarks
1	JJ3-K810F-00-00	SIDE PANEL COMP. (L. H.) . . .	1	
2	JJ3-K810G-00-00	SIDE PANEL COMP. (R. H.) ..	1	
3	JJ3-K7782-00-00	PANEL, DASH 2	1	
4	JJ3-K810N-00-00	REAR STORAGE LID COMP. . .	1	
5	JJ3-K8117-00-00	PLATE 1	1	
6	90119-08038-00	BOLT, WITH WASHER	19	
7	90119-08925-00	BOLT, WITH WASHER	2	
8	95617-08200-00	NUT, SELF-LOCKING (95607-08200-00)	21	
9	90267-64844-00	RIVET, BLIND	6	
10	JJ3-K821A-00-00	PAD, BODY MOUNTING 1	5	
11	JJ3-K8156-00-00	STOPPER, LOCK	2	
12	JJ3-K8317-00-00	RING, HOOK	2	
13	90119-06908-00	BOLT, WITH WASHER	6	
14	95607-06200-00	NUT, SELF U-FLANGE	6	
15	JJ3-K8384-00-00	BOLT	2	
16	97017-06020-00	BOLT	4	
17	95380-06700-00	NUT	4	
18	JJ3-K8385-00-00	BOLT 2	2	
19	95617-08200-00	NUT, SELF-LOCKING (95607-08200-00)	2	
20	JJ3-K818N-00-00	BED, BOX	1	
21	JJ3-K8376-00-00	SUPPORT 2	1	
22	90267-64844-00	RIVET, BLIND	2	
23	JJ3-K8380-02-00	LOCK ASSEMBLY	1	
24	95807-08020-00	BOLT, FLANGE	6	
25	95617-08200-00	NUT, SELF-LOCKING (95607-08200-00)	6	
26	JJ3-K818M-00-00	CAP, PROTECTOR END 4	1	
27	90240-13808-00	PIN, CLEVIS	2	

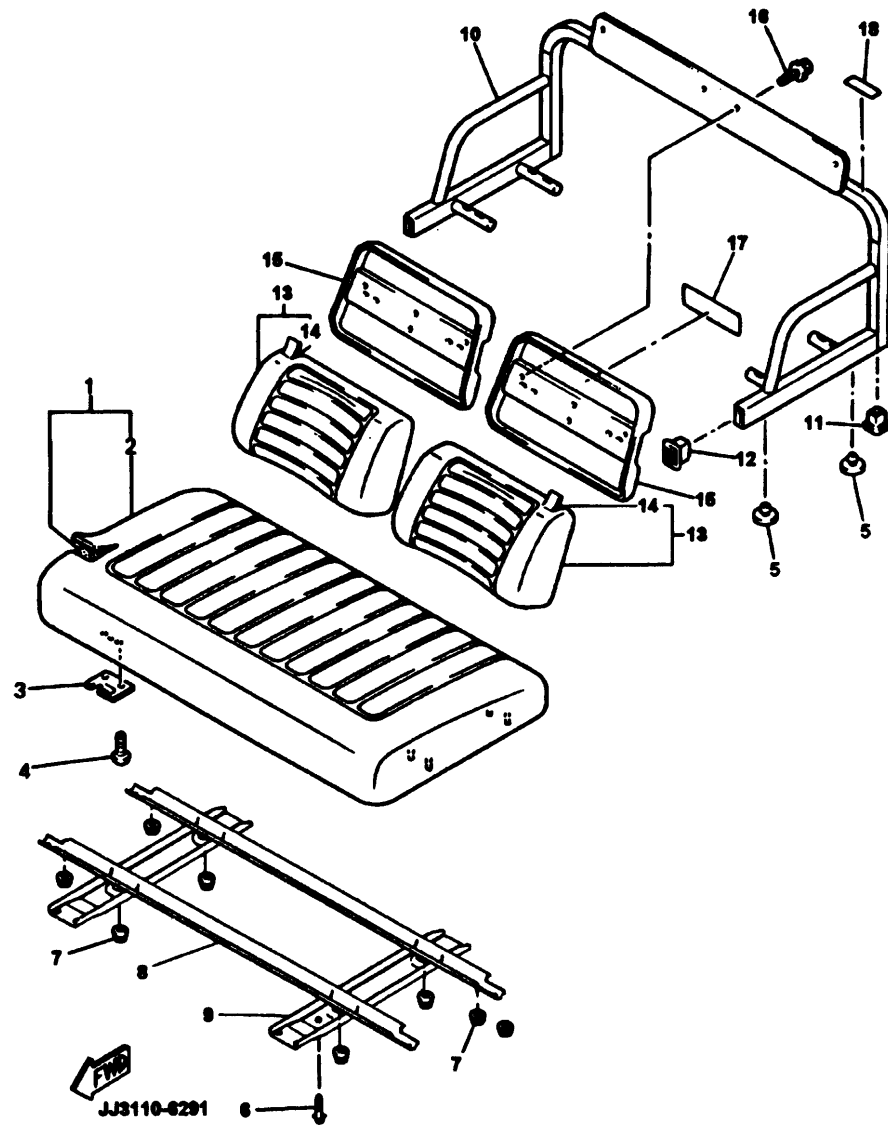
CONTINUED ON NEXT FRAME ►

CARRIER



JJ3110-6282

Ref. No.	Part Number	Description	Qty	Remarks
28	91490-30030-00	PIN, COTTER	2	
29	JJ3-K8158-01-00	ROD, INSPECTION LID	1	
30	91490-20025-00	PIN, SPLIT	1	
31	JJ3-K8369-00-00	PIN, LEVER	1	
32	90119-06908-00	BOLT, WITH WASHER	2	
33	95607-06200-00	NUT, SELF U-FLANGE	2	
34	JJ3-K7764-01-00	LABEL, WARNING 4	1	
35	JJ3-K7766-01-00	LABEL, WARNING 6	1	
36	JJ3-K815H-00-00	DAMPER, LOCK	1	
37	JN3-K8370-00-00	HOLDER ASSEMBLY	1	
38	90338-05830-00	PLUG	4	
39	JR3-K8316-00-00	DAMPER	2	
40	JJ3-K7588-00-00	DAMPER 1	1	
41	95617-08200-00	NUT, SELF-LOCKING (95607-08200-00)	2	
42	JN3-K7762-01-00	LABEL, WARNING	1	

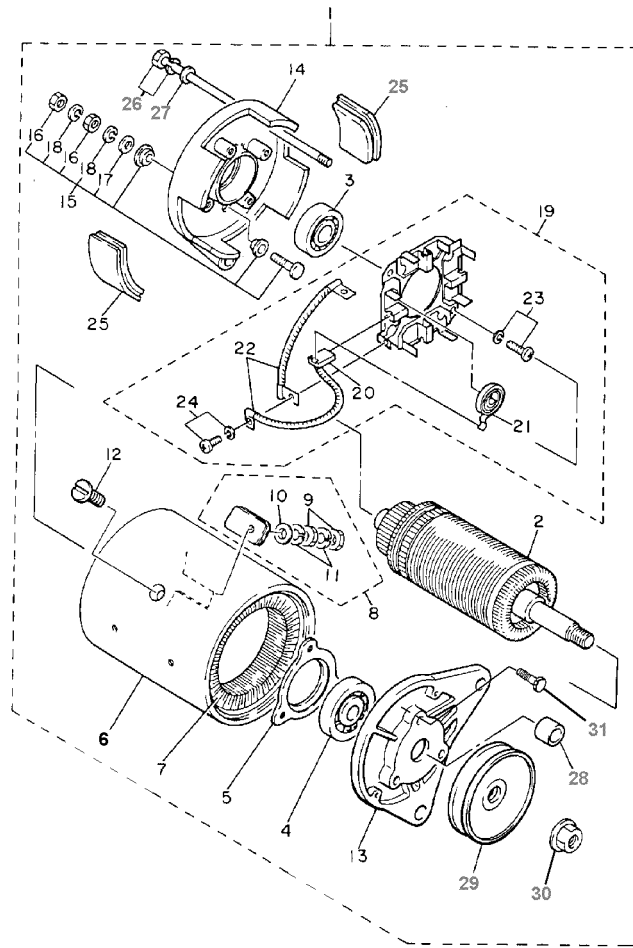


SEAT

Ref. No.	Part Number	Description	Qty	Remarks
1	JN6-K8401-00-00	CUSHION SEAT	1	
2	JN6-K8404-09-00	. COVER, SEAT	1	
3	JN3-K8426-00-00	HINGE, SEAT MALE	2	
4	97580-05412-00	BOLT, HEX	4	
5	JJ3-K8433-00-00	DAMPER, SEAT SUPPORT ...	4	
6	90167-04815-00	SCREW, P/H TAPPING	4	
7	90185-08839-00	NUT, SELF LOCKING	12	
8	JN6-K8121-00-00	REINFORCEMENT	2	
9	JN6-K8122-00-00	REINFORCEMENT	2	
10	JJ3-K8420-20-00	SEAT ASSEMBLY 2	1	
11	JJ3-K818E-00-00	CAP, PROTECTOR END 1	2	
12	JJ3-K8139-00-00	CAP, END	2	
13	JR3-K8402-00-00	SEAT SUB ASSEMBLY, BACK	2	
14	JJ3-K841G-09-00	. COVER, SEAT BACK 2	2	
15	JJ3-K8413-00-00	COVER, SEAT BACK	2	
16	90119-06915-00	BOLT, WITH WASHER	4	
17	JJ3-K7762-00-00	LABEL, WARNING 2	1	
18	JJ3-K7763-00-00	LABEL, WARNING 3	2	

STARTER GENERATOR

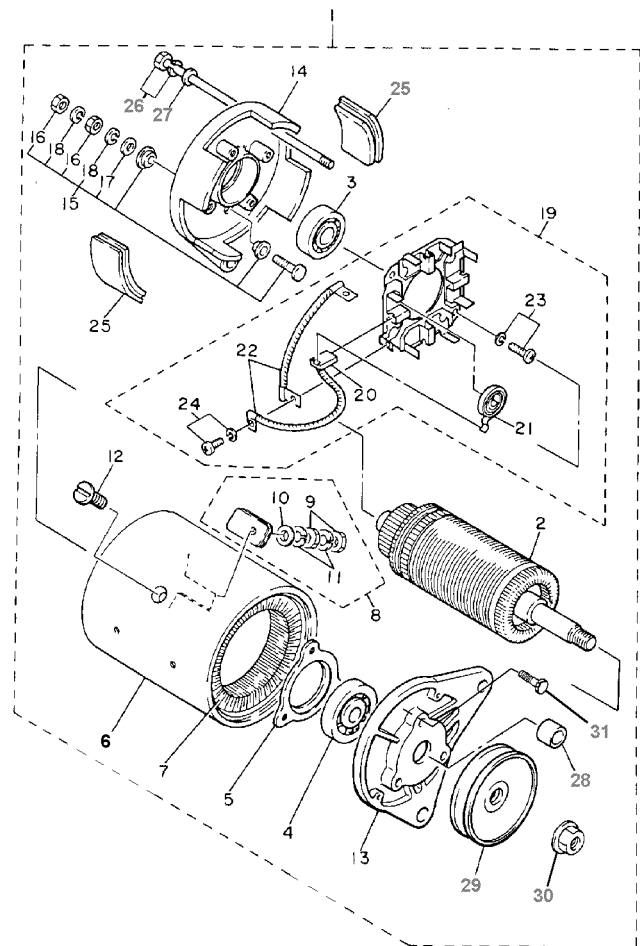
Ref. No.	Part Number	Description	Qty	Remarks
1	JN6-H1100-00-00	STARTER GENERATOR	1	
2	JN3-H1150-00-00	. ARMATURE ASSEMBLY	1	
3	J10-81157-10-00	. BEARING 1 (6202 SD)	1	
4	J10-81158-10-00	. BEARING 2 (6203 SD)	1	
5	J10-81159-10-00	. HOLDER, BEARING	1	
6	JN6-H1110-10-00	. STATOR ASSEMBLY	1	
7	JN6-H1160-10-00	. FIELD COIL ASSEMBLY	1	
8	J10-81148-10-00	. SCREW	2	
9	95380-06600-00	. NUT	4	
10	92990-06600-00	. WASHER, PLATE	2	
11	92995-06100-00	. WASHER, SPRING	4	
12	J10-81146-10-00	. SCREW	4	
13	J38-81165-10-00	. BRACKET, STARTER GENERATOR	1	
14	J10-81166-10-00	. BRACKET, STARTER GENERATOR		STARTER GENERATOR 21
15	J10-81147-10-00	. SCREW	2	
16	95380-06600-00	. NUT	4	
17	92990-06600-00	. WASHER, PLATE	2	
18	92995-06100-00	. WASHER, SPRING	4	
19	JF2-81119-00-00	. BRUSH HOLDER ASSEMBLY	1	
20	JF2-81111-00-00	. BRUSH	4	
21	J38-81113-10-00	. SPRING, BRUSH	4	
22	J10-81115-10-00	. WIRE, LEAD	2	
23	98507-05016-00	. SCREW, PAN HEAD	2	
24	98580-04010-00	. SCREW, PAN HEAD	4	
25	J10-81129-10-00	. COVER, BRUSH	4	
26	J10-81145-10-00	. SCREW	2	
27	92990-06600-00	. WASHER, PLATE	2	



JN6100-6231

CONTINUED ON NEXT FRAME ►

STARTER GENERATOR

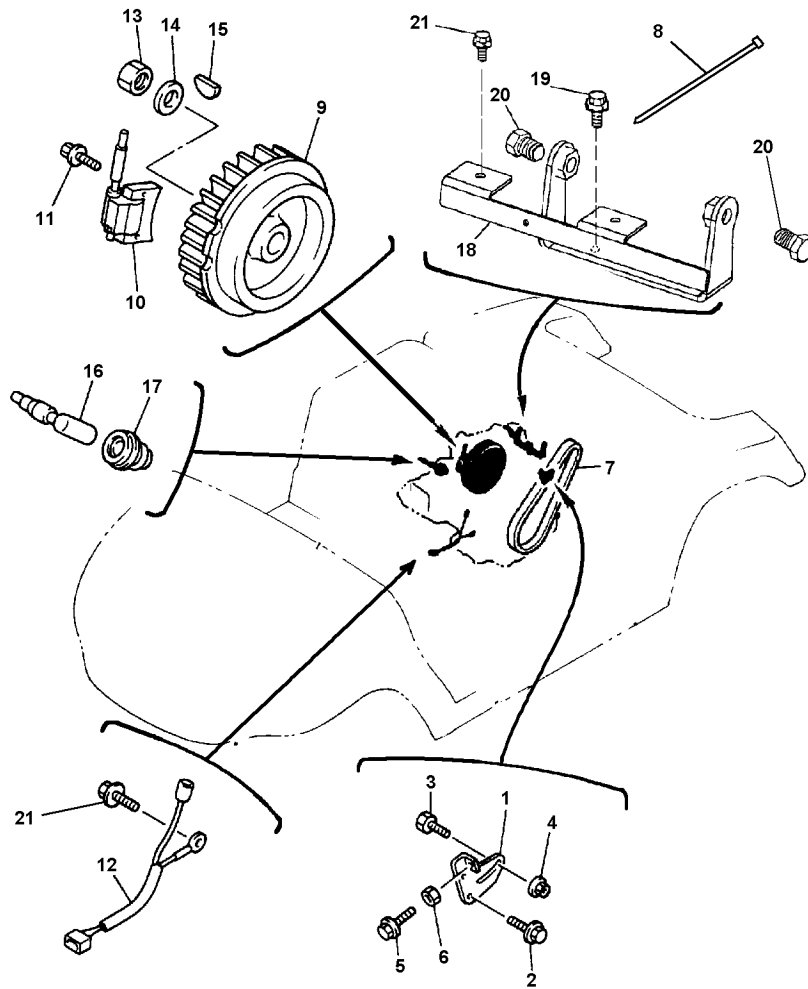


Ref. No.	Part Number	Description	Qty	Remarks
28	JN3-H1661-00-00	. SPACER	1	
29	JN3-H1161-00-00	. PULLEY	2	
30	90179-16889-00	. NUT, FLANGE	1	
31	98507-05018-00	. SCREW, PAN HEAD	3	



JN6100-6231

ELECTRICAL 1

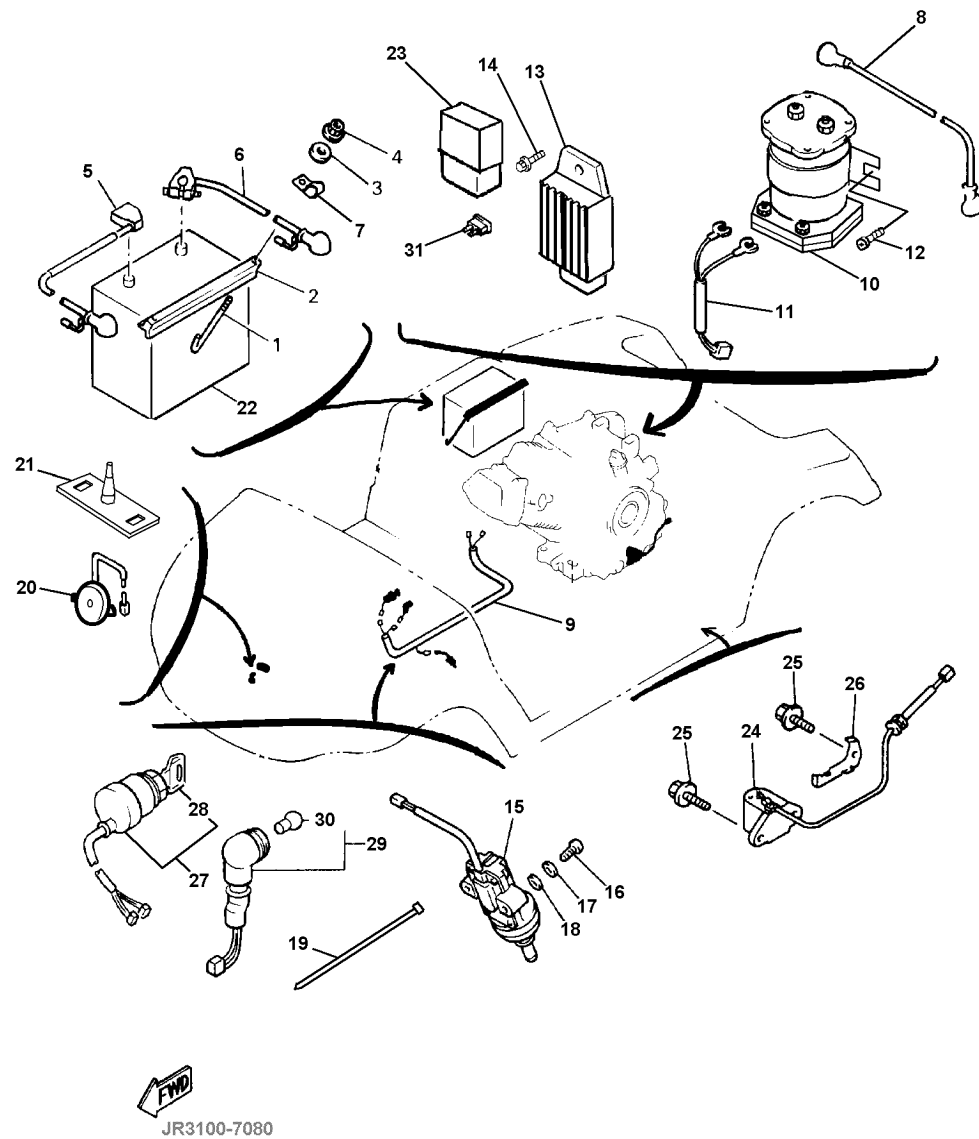


Ref. No.	Part Number	Description	Qty	Remarks
1	JN2-81170-00-00	TENSIONER ASSEMBLY	1	
2	95827-08020-00	BOLT, FLANGE	2	
3	90109-087A5-00	BOLT	1	
4	95707-08500-00	NUT, FLANGE	1	
5	90101-06478-00	BOLT, HEX.	1	
6	95317-06600-00	NUT (95307-06600-00)	1	
7	JN6-H1173-00-00	BELT	1	
8	90464-09823-00	CLAMP	1	
	JN6-85650-00-00	ROTOR ASSEMBLY.	1	
10	JN6-85640-00-00	T.C.I. UNIT	1	
11	95827-06025-00	BOLT, FLANGE	2	
12	JN6-82318-00-00	WIRE, SUB-LEAD	1	
13	95307-18600-00	NUT, HEX.	1	
14	90201-18620-00	WASHER, PLAIN	1	
15	90280-04052-00	KEY, WOODRUFF	1	
16	8K1-82370-20-00	PLUG CAP ASSEMBLY (WITH RESISTOR)	1	
17	JE8-82372-00-00	SEAL, PLUG CAP	1	
18	JN6-H1171-00-00	BRACKET, STARTER GENERATOR	1	
19	95827-08020-00	BOLT, FLANGE	2	
20	95827-12025-00	BOLT, FLANGE	2	
21	95807-06016-00	BOLT, FLANGE	3	



JR3100-7100

ELECTRICAL 2

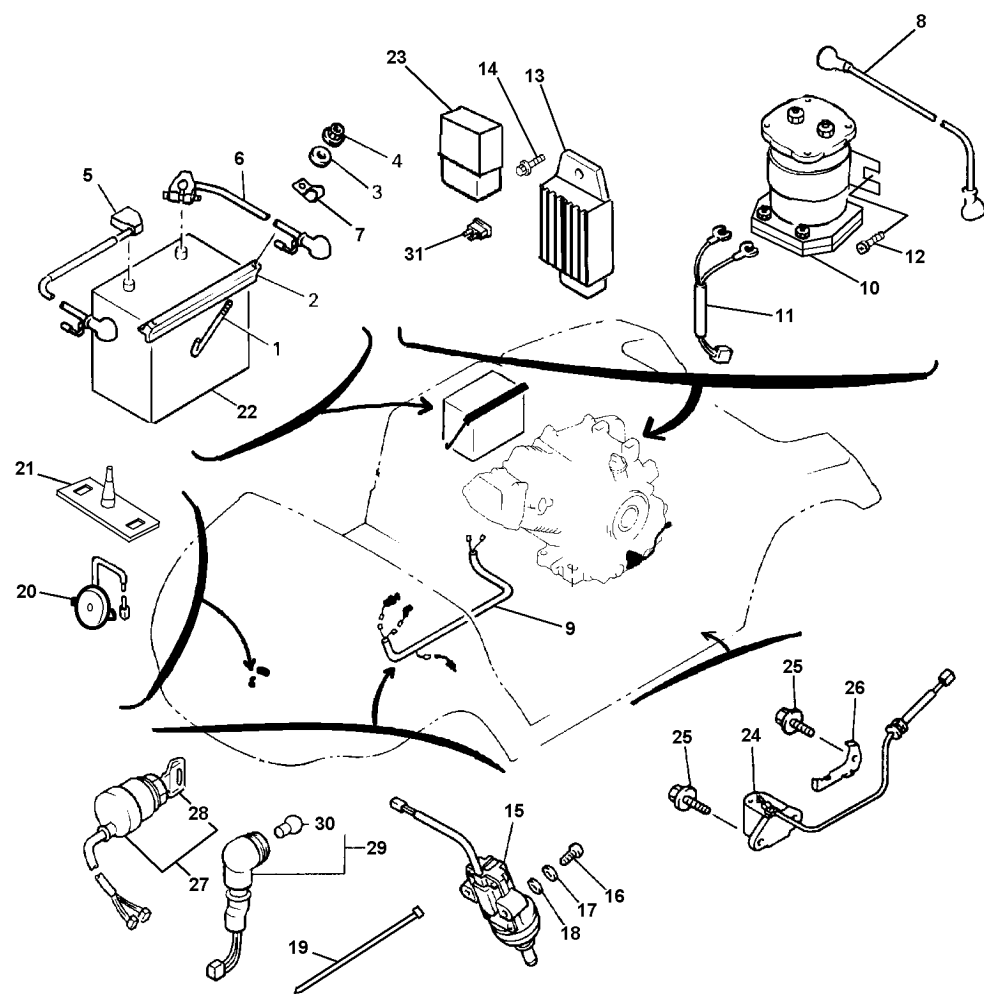


Ref. No.	Part Number	Description	Qty	Remarks
1	JN3-H2133-00-00	SCREW, FITTING	2	
2	J55-H2136-00-00	PLATE, BATTERY	1	
3	92907-06200-00	WASHER	2	
4	95707-06500-00	NUT, FLANGE	2	
5	JR3-H2115-00-00	WIRE, PLUS LEAD	1	
6	JR3-H2116-00-00	WIRE, MINUS LEAD	1	
7	90461-08031-00	CLAMP	2	
8	JR3-H2117-00-00	WIRE, LEAD	1	
9	JR3-H2590-00-00	WIRE HARNESS	1	WITH FUSE
10	JR3-H1950-00-00	RELAY ASSEMBLY.	1	
11	JN6-H2105-00-00	HARNESS, WIRE	1	
12	90163-06005-00	SCREW, HEX. T	2	
13	JF2-81910-01-00	VOLTAGE REGULATOR	1	
14	95817-06016-00	BOLT, FLANGE	1	
15	JF7-82817-20-00	SWITCH, ACCELERATOR STOP	1	
16	98507-05025-00	SCREW, PAN HEAD	2	
17	92907-05100-00	WASHER, SPRING	2	
18	92907-05600-00	WASHER, PLATE	2	
19	90464-31827-00	CLAMP	6	
20	JR1-H3383-00-00	BUZZER	1	
21	JN6-H3386-00-00	STAY, BUZZER	1	
23	4U8-81950-02-00	RELAY ASSEMBLY. (4U8-81950-00)	1	
24	JN6-85720-10-00	OIL LEVEL GAUGE	1	
25	95817-06012-00	BOLT, FLANGE	4	
26	JN6-85724-00-00	CLAMP, OIL LEVEL	1	
27	JN8-82510-00-00	MAIN SWITCH	1	
28	J44-82511-00-00	. KEY, MAIN SWITCH	1	
29	JN6-83530-00-00	PILOT LAMP A	1	

CONTINUED ON NEXT FRAME ►

ELECTRICAL 2

Ref. No.	Part Number	Description	Qty	Remarks
30	123-83516-21-XX	. BULB, (12V-3. 4W)	1	
31	42X-82151-00-00	FUSE (10A-BL)	1	



 JR3100-7080