

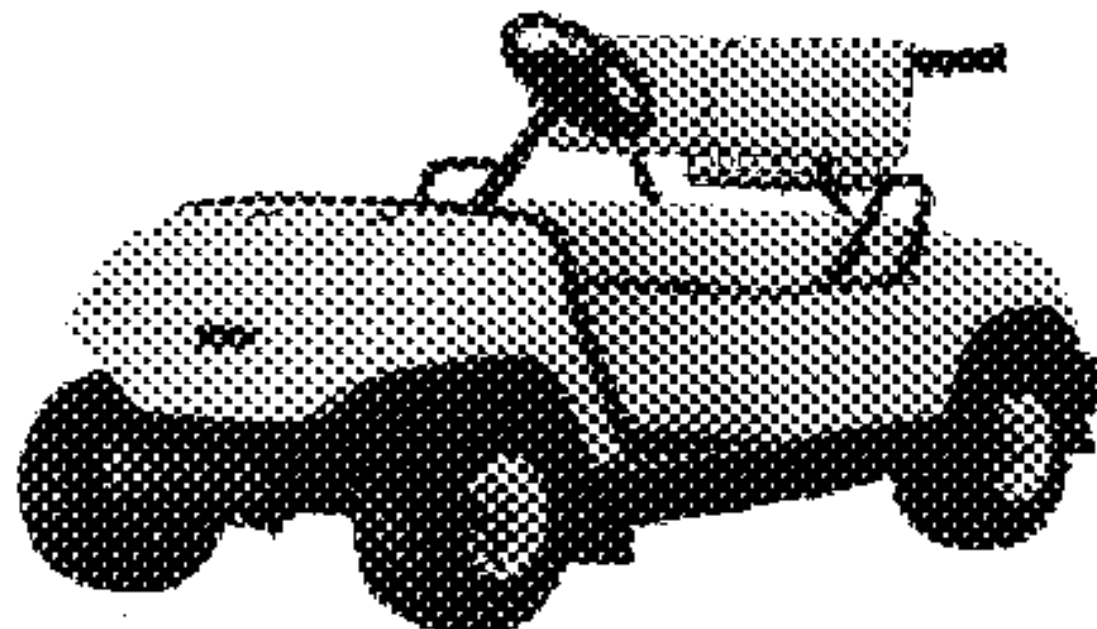
# PARTS CATALOGUE

## MODEL YEAR 1996

### G14-AP (JN31)

|                   |                          |
|-------------------|--------------------------|
| Frame Serial No.  | JN3-100101 and following |
| Engine Serial No. | JN3-100101 and following |

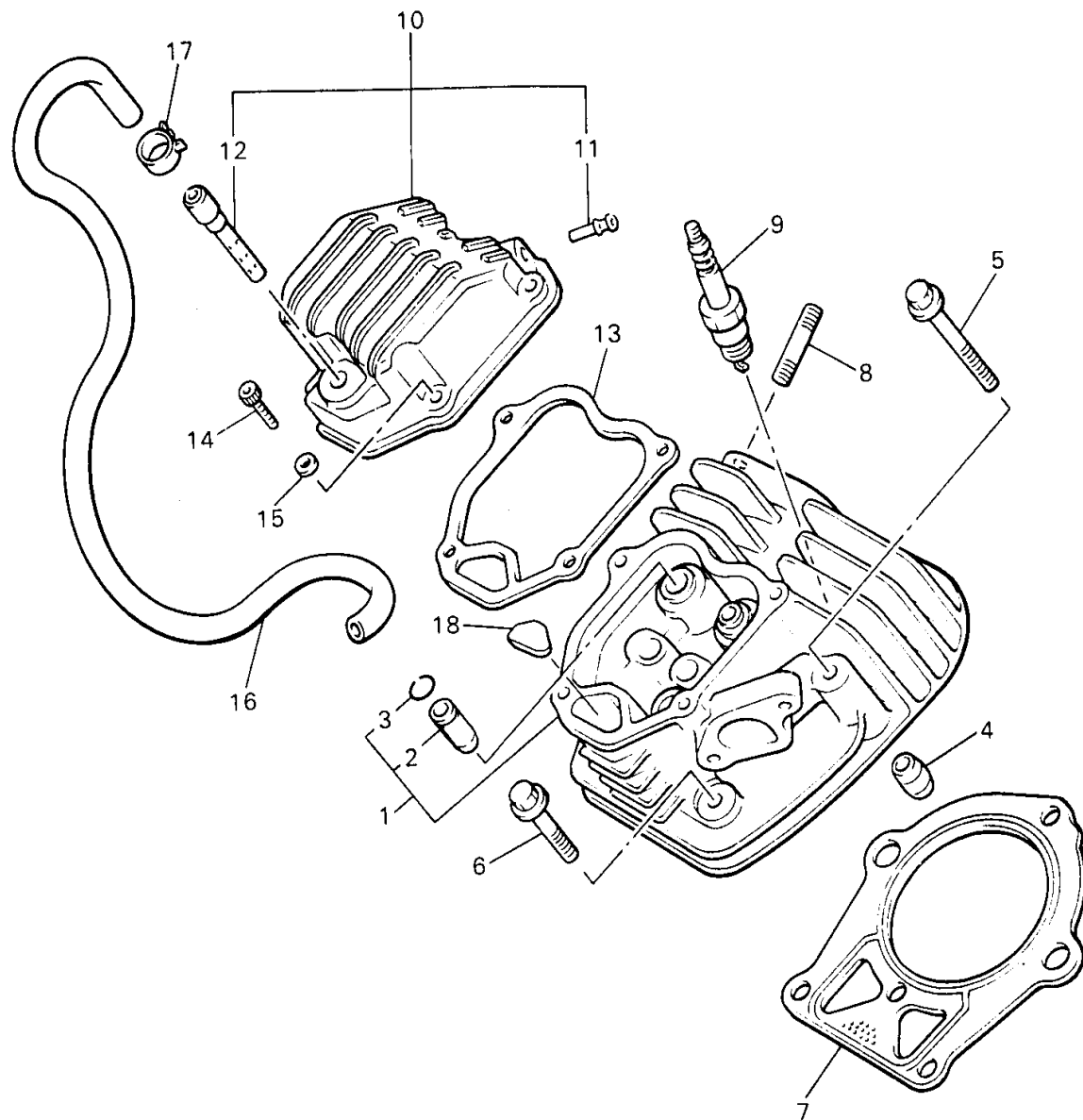
| PUBLICATION     | PART NUMBER     | REMARKS |
|-----------------|-----------------|---------|
| OWNER'S MANUAL  | LIT-19626-00-70 |         |
| ASSEMBLY MANUAL | ---             |         |
| SERVICE MANUAL  | LIT-19616-00-70 |         |
| COUNTRY CLUB    | LIT-1001J-14-96 |         |



**YAMAHA**  
**GENUINE**  
 Parts & Accessories



# CYLINDER HEAD

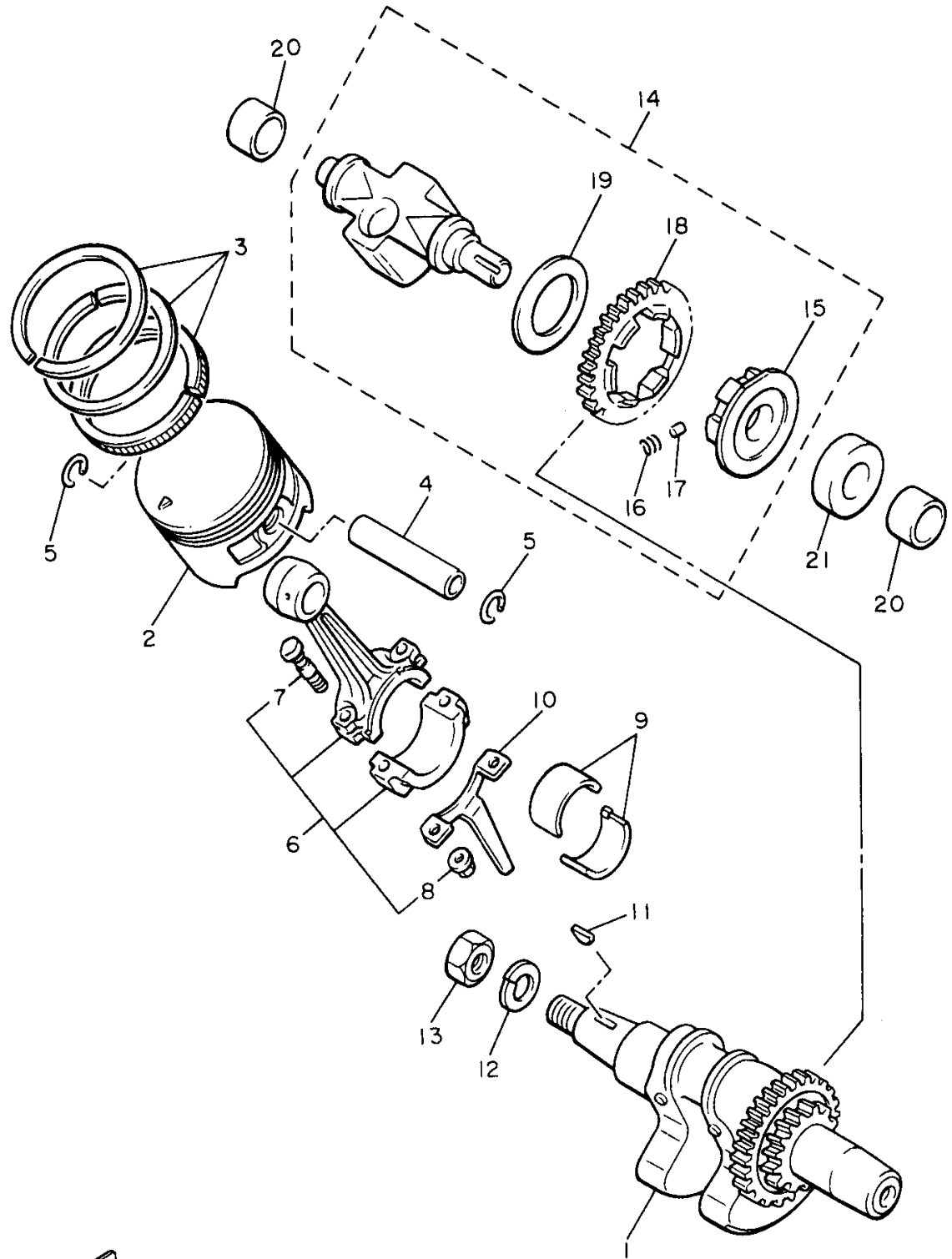


| Ref. No. | Part Number     | Description                 | Qty | Remarks |
|----------|-----------------|-----------------------------|-----|---------|
| 1        | JN5-11102-00-00 | CYLINDER HEAD ASSEMBLY      | 1   |         |
| 2        | 7KY-11133-10-00 | . GUIDE, INTAKE VALVE       | 2   |         |
| 3        | 93440-10085-00  | . CIRCLIP                   | 2   |         |
| 4        | 99510-12016-00  | PIN, DOWEL                  | 2   |         |
| 5        | 95817-08070-00  | BOLT, FLANGE                | 3   |         |
| 6        | 95817-08045-00  | BOLT, FLANGE                | 3   |         |
| 7        | JN5-11181-00-00 | GASKET, CYLINDER HEAD 1     | 1   |         |
| 8        | 95617-08618-00  | BOLT, STUD (95627-08618-00) | 2   |         |
| 9        | NGK-BPR2E-S0-00 | PLUG, SPARK                 | 1   | STD     |
|          | NGK-BR4ES-00-00 | PLUG, SPARK (NGK BR4ES)     | 1   | UR AP   |
| 10       | JN5-11191-00-00 | COVER, CYLINDER HEAD 1      | 1   |         |
| 11       | J38-11116-00-00 | . JOINT, BREATHER           | 1   |         |
| 12       | JN5-11116-00-00 | . JOINT, BREATHER           | 1   |         |
| 13       | JN3-11193-00-00 | GASKET, HEAD COVER 1        | 1   |         |
| 14       | 91317-06025-00  | BOLT                        | 4   |         |
| 15       | 92907-06600-00  | WASHER, PLATE               | 4   |         |
| 16       | 90445-130F8-00  | HOSE                        | 1   |         |
| 17       | 90467-12052-00  | CLIP                        | 2   |         |
| 18       | JN5-11163-00-00 | ELEMENT                     | 1   |         |



JN5010-4010

# CRANKSHAFT - PISTON

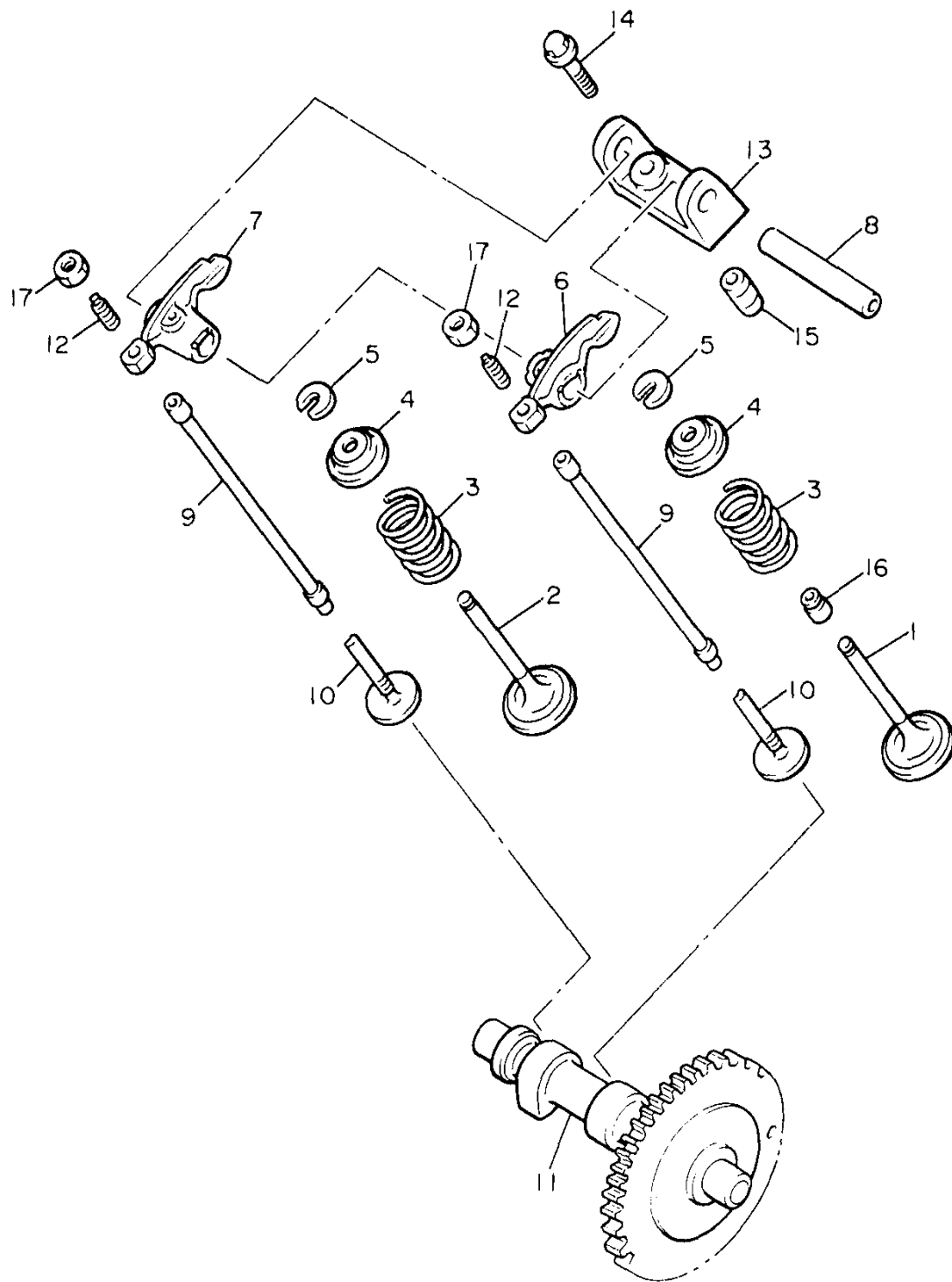


| Ref. No. | Part Number     | Description                  | Qty | Remarks    |
|----------|-----------------|------------------------------|-----|------------|
| 1        | J38-11400-00-00 | CRANKSHAFT ASSEMBLY          | 1   |            |
| 2        | JN5-11631-00-96 | PISTON (STD)                 | 1   | STD        |
|          | JN5-11635-00-00 | PISTON (0.25MM O/S)          | 1   | AP         |
|          | JN5-11636-00-00 | PISTON (0.50MM O/S)          | 1   | AP         |
| 3        | JN5-11610-00-00 | PISTON RING SET (STD)        | 1   | STD        |
|          | JN5-11610-10-00 | PISTON RING SET (0.25MM O/S) | 1   | AP         |
|          | JN5-11610-20-00 | PISTON RING SET (0.50MM O/S) | 1   | AP         |
| 4        | 7A9-11633-00-00 | PIN, PISTON                  | 1   |            |
| 5        | 93450-19047-00  | CIRCLIP                      | 2   |            |
| 6        | J38-11650-00-00 | CONNECTING ROD ASSEMBLY      | 1   |            |
| 7        | J38-11654-00-00 | . BOLT, CONNECTING ROD       | 2   |            |
| 8        | 90179-08327-00  | . NUT                        | 2   |            |
| 9        | J38-11656-00-00 | BEARING, CON-ROD             | 2   | UR (BROWN) |
|          | J38-11656-10-00 | BEARING, CON-ROD             | 2   | UR (BLACK) |
|          | J38-11656-20-00 | BEARING, CON-ROD             | 2   | UR (BLUE)  |
| 10       | J38-11657-00-00 | SPLASHER, OIL                | 1   |            |
| 11       | 90280-16053-00  | KEY, WOODRUFF                | 1   |            |
| 12       | 92907-16100-00  | WASHER                       | 1   |            |
| 13       | 90170-16182-00  | NUT                          | 1   |            |
| 14       | J38-Y1149-00-00 | BALANCER ASSEMBLY            | 1   |            |
| 15       | J38-11496-00-00 | . BOSS, BUFFER               | 1   |            |
| 16       | 90501-21133-00  | . SPRING, COMPRESSION        | 6   |            |
| 17       | 93605-10090-00  | . PIN, DOWEL                 | 3   |            |
| 18       | J38-11531-00-00 | . GEAR, BALANCE WT           | 1   |            |
| 19       | 90201-201G9-00  | . WASHER, PLATE              | 1   |            |
| 20       | 90387-155R3-00  | COLLAR                       | 2   |            |
| 21       | 90387-152M7-00  | COLLAR                       | 1   |            |



J38100-7020

# CAMSHAFT - VALVE

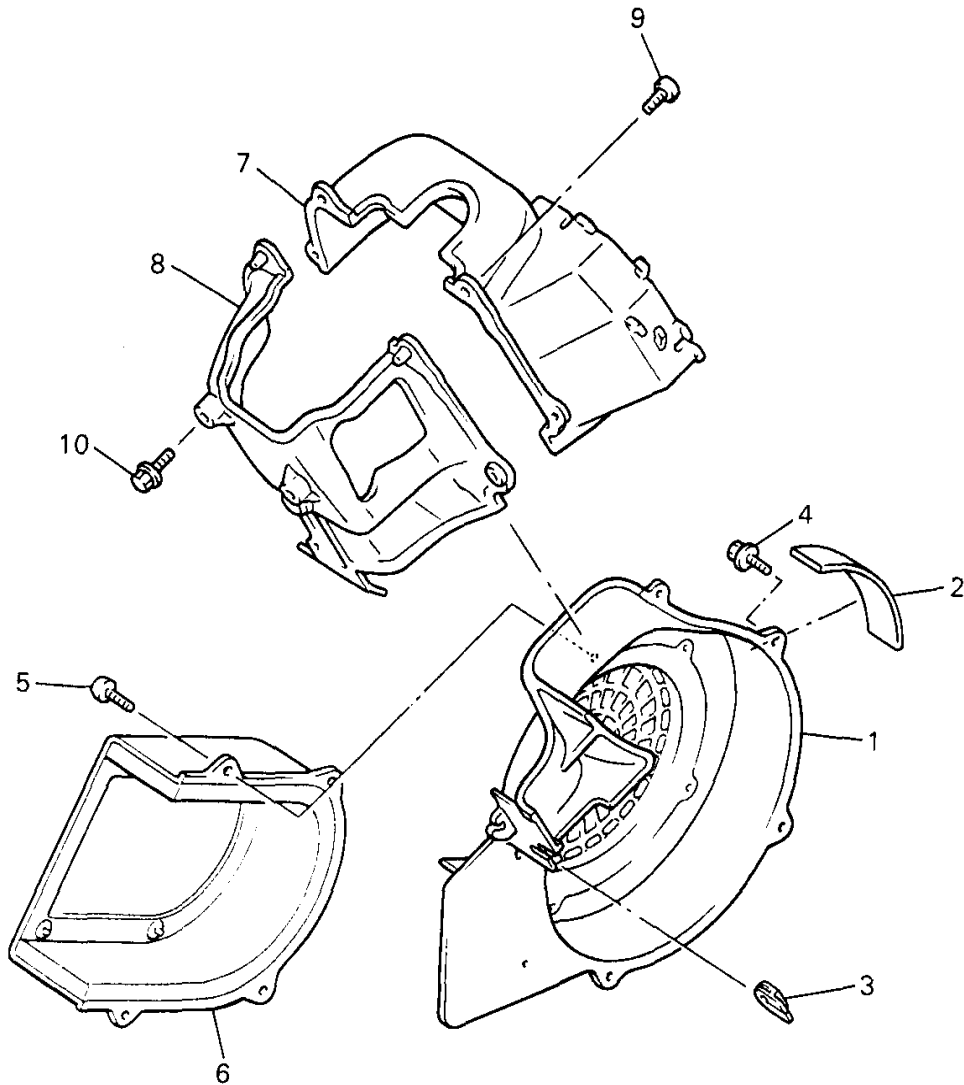


| Ref. No. | Part Number     | Description               | Qty | Remarks |
|----------|-----------------|---------------------------|-----|---------|
| 1        | J38-12111-01-00 | VALVE, INTAKE .....       | 1   |         |
| 2        | J38-12121-01-00 | VALVE, EXHAUST .....      | 1   |         |
| 3        | 90501-264A9-00  | SPRING, COMPRESSION ..... | 2   |         |
| 4        | J38-12117-01-00 | RETAINER, VALVE SPRING .. | 2   |         |
| 5        | J38-12118-00-00 | COTTER, VALVE .....       | 2   |         |
| 6        | J38-12151-01-00 | ARM, VALVE ROCKER .....   | 1   |         |
| 7        | J38-12161-01-00 | ARM, VALVE ROCKER 2 ..... | 1   |         |
| 8        | J38-12156-00-00 | SHAFT, ROCKER 2 .....     | 1   |         |
| 9        | J38-12154-00-00 | ROD, VALVE PUSH .....     | 2   |         |
| 10       | J38-12153-00-00 | LIFTER, VALVE .....       | 2   |         |
| 11       | J38-12171-00-00 | CAMSHAFT 1 .....          | 1   |         |
| 12       | J38-12159-00-00 | SCREW, VALVE ADJUSTING .. | 2   |         |
| 13       | J38-12152-00-00 | SUPPORT, ROCKER ARM ..... | 1   |         |
| 14       | 95817-06030-00  | BOLT, FLANGE .....        | 2   |         |
| 15       | 91810-09014-00  | PIN, DOWEL .....          | 2   |         |
| 16       | 5H0-12119-00-00 | SEAL, VALVE STEM .....    | 1   |         |
| 17       | 90170-06128-00  | NUT .....                 | 2   |         |



J38100-8030

# AIR SHROUD - FAN

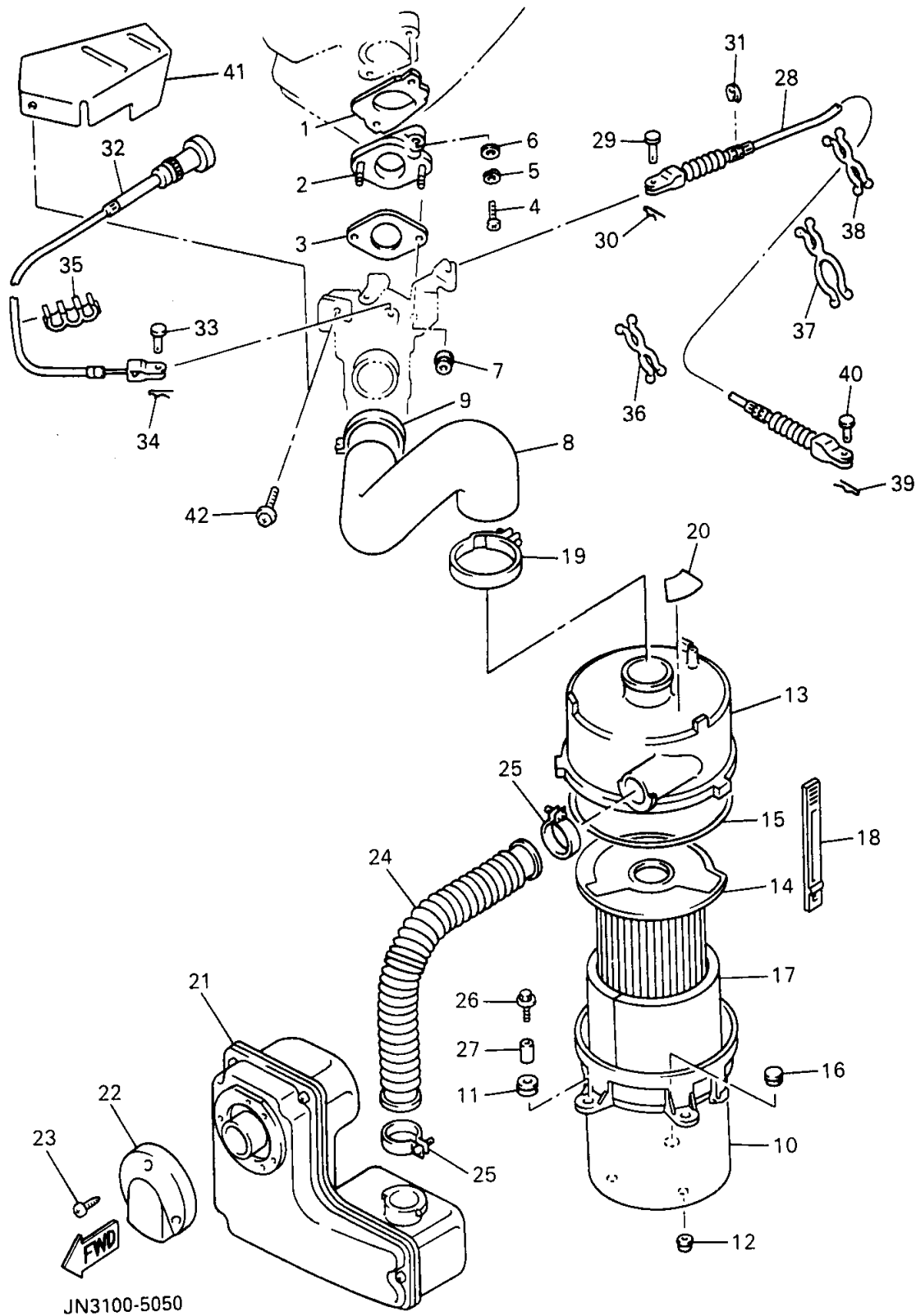


| Ref. No. | Part Number     | Description                | Qty | Remarks |
|----------|-----------------|----------------------------|-----|---------|
| 1        | JN5-12621-00-00 | CASE, FAN .....            | 1   |         |
| 2        | JN5-12659-00-00 | DAMPER, AIR SHROUD 2 ....  | 1   |         |
| 3        | 90480-20280-00  | GROMMET .....              | 1   |         |
| 4        | 95817-06020-00  | BOLT, FLANGE .....         | 5   |         |
| 5        | 97707-60520-00  | SCREW, TAPPING .....       | 4   |         |
| 6        | J38-12640-00-00 | FAN CASE COVER COMP. ....  | 1   |         |
| 7        | J38-12651-02-00 | AIR SHROUD, CYLINDER 1 ... | 1   |         |
| 8        | JN5-12652-00-00 | AIR SHROUD, CYLINDER 2 ... | 1   |         |
| 9        | 97707-60516-00  | SCREW, TAPPING .....       | 4   |         |
| 10       | 90109-06513-00  | BOLT .....                 | 4   |         |



JN3100-5040

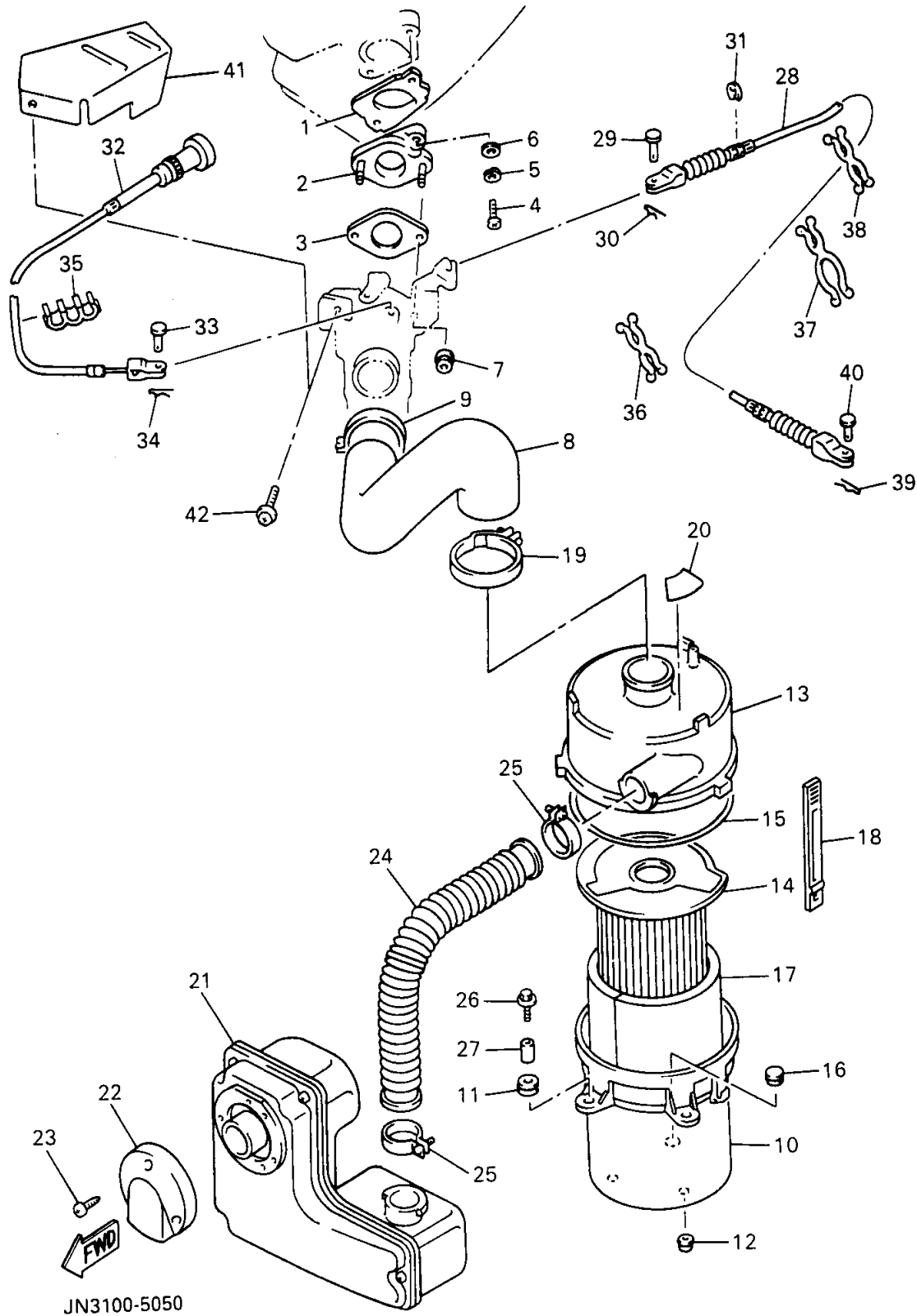
# INTAKE



| Ref. No. | Part Number     | Description                      | Qty | Remarks |
|----------|-----------------|----------------------------------|-----|---------|
| 1        | J38-13556-01-00 | GASKET, MANIFOLD                 | 1   |         |
| 2        | J38-13596-00-00 | JOINT, CARBURETOR 2              | 1   |         |
| 3        | J38-13557-01-00 | GASKET                           | 1   |         |
| 4        | 98517-06030-00  | SCREW, PAN HEAD (98507-06030-00) | 2   |         |
| 5        | 92907-06100-00  | WASHER, SPRING                   | 2   |         |
| 6        | 92907-06600-00  | WASHER, PLATE                    | 2   |         |
| 7        | 95607-06200-00  | NUT, SELF U-FLANGE               | 2   |         |
| 8        | J38-14453-01-00 | JOINT, AIR CLEANER 1             | 1   |         |
| 9        | 90460-53239-00  | CLAMP, HOSE                      | 1   |         |
| 10       | J10-14411-01-00 | CASE, air cleaner 1              | 1   |         |
| 11       | 90480-13238-00  | GROMMET                          | 2   |         |
| 12       | 90480-14239-00  | GROMMET                          | 2   |         |
| 13       | JN3-14412-00-00 | CAP, CLEANER CASE 1              | 1   |         |
| 14       | JF7-14450-01-00 | ELEMENT ASSEMBLY, AIR CLEANER    | 1   |         |
| 15       | JN3-14452-00-00 | SEAL                             | 1   |         |
| 16       | 90480-14100-00  | GROMMET                          | 1   |         |
| 17       | J10-14417-00-00 | COVER 1                          | 1   |         |
| 18       | J45-14436-00-00 | HOOK                             | 3   |         |
| 19       | 90460-43053-00  | CLAMP, HOSE                      | 1   |         |
| 20       | JN3-K7761-00-00 | LABEL, WARNING 1                 | 1   |         |
| 21       | JN5-1446A-00-00 | SURGE TANK ASSEMBLY              | 1   |         |
| 22       | JN3-14417-00-00 | COVER 1                          | 1   |         |
| 23       | 97780-50130-00  | SCREW, TAPPING                   | 3   |         |
| 24       | JN3-14437-00-00 | DUCT                             | 1   |         |
| 25       | 90460-33087-00  | CLAMP, HOSE                      | 2   |         |
| 26       | 90119-06097-00  | BOLT, WITH WASHER                | 2   |         |
| 27       | 90387-06026-00  | COLLAR                           | 2   |         |

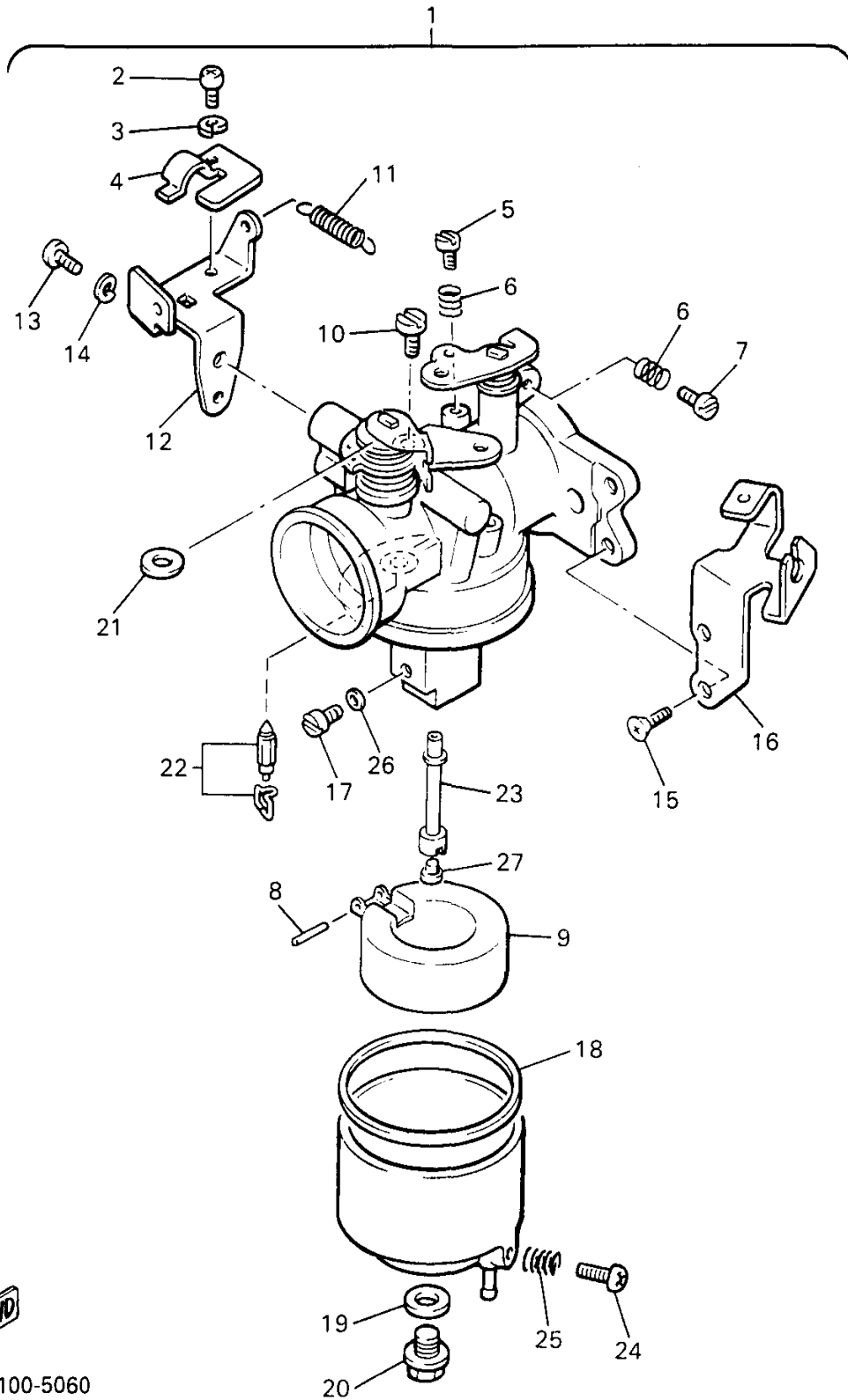
CONTINUED ON NEXT FRAME ►

# INTAKE



| Ref. No. | Part Number     | Description         | Qty | Remarks |
|----------|-----------------|---------------------|-----|---------|
| 28       | J38-26312-00-00 | CABLE, THROTTLE 2   | 1   |         |
| 29       | 91701-05010-00  | PIN, CYLINDER. HEAD | 1   |         |
| 30       | 90468-10050-00  | CLIP                | 1   |         |
| 31       | 99080-07600-00  | CIRCLIP (E)         | 1   |         |
| 32       | JF2-F6331-01-00 | CABLE, STARTER 1    | 1   |         |
| 33       | 91701-05010-00  | PIN, CYLINDER. HEAD | 1   |         |
| 34       | 90468-10050-00  | CLIP                | 1   |         |
| 35       | 90468-07179-00  | CLIP                | 1   |         |
| 36       | 90464-10038-00  | CLAMP               | 1   |         |
| 37       | 90464-26114-00  | CLAMP               | 1   |         |
| 38       | 90464-14134-00  | CLAMP               | 2   |         |
| 39       | 90468-10050-00  | CLIP                | 1   |         |
| 40       | 91701-05010-00  | PIN, CYLINDER. HEAD | 1   |         |
| 41       | JG5-E4283-00-00 | COVER, CARBURETOR 1 | 1   |         |
| 42       | 90159-05132-00  | SCREW, WITH WASHER  | 2   |         |

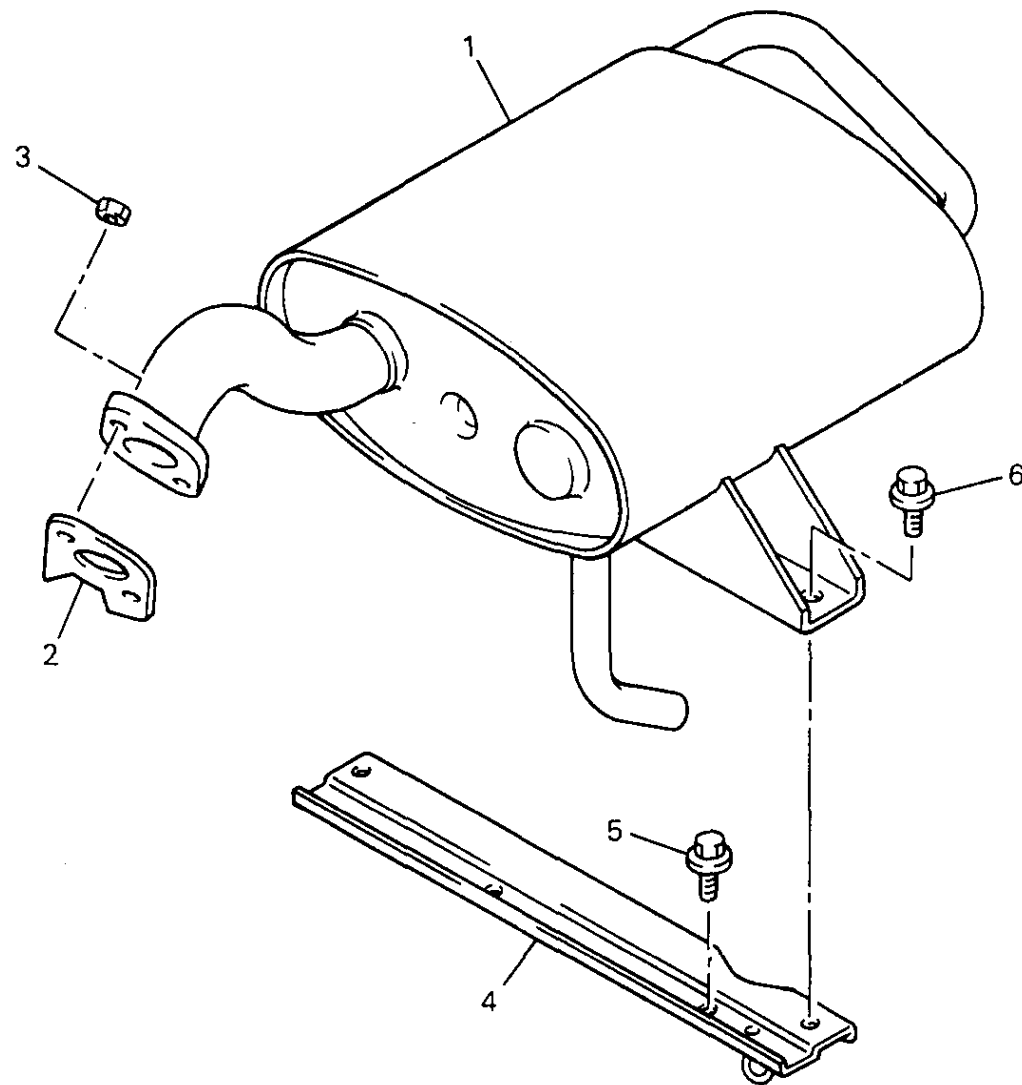
# CARBURETOR



JN3100-5060

| Ref. No. | Part Number     | Description                     | Qty | Remarks |
|----------|-----------------|---------------------------------|-----|---------|
| 1        | JN3-14101-00-00 | CARBURETOR ASSEMBLY 1           | 1   |         |
| 2        | 98507-05008-00  | . SCREW, PAN HEAD               | 1   |         |
| 3        | 92990-05100-00  | . WASHER, SPRING                | 1   |         |
| 4        | J38-14243-00-00 | . PLATE                         | 1   |         |
| 5        | 75G-14211-00-00 | . SCREW, PILOT ADJUSTING        | 1   |         |
| 6        | 620-14212-00-00 | . SPRING, PILOT ADJUSTING       | 2   |         |
| 7        | J10-14122-00-00 | . SCREW, THROTTLE               | 1   |         |
| 8        | 22F-14186-00-00 | . PIN, FLOAT                    | 1   |         |
| 9        | J38-14185-00-00 | . FLOAT                         | 1   |         |
| 10       | 620-14142-60-00 | . JET, PILOT (# 60)             | 1   |         |
| 11       | J38-14133-00-00 | . SPRING, THROTTLE STOP         | 1   |         |
| 12       | JG5-14581-00-00 | . BRACKET                       | 1   |         |
| 13       | 98580-06010-00  | . SCREW, PAN HEAD (92503-06010) | 1   |         |
| 14       | 92995-06100-00  | . WASHER, SPRING                | 1   |         |
| 15       | 98707-05008-00  | . SCREW, FLAT HEAD              | 2   |         |
| 16       | JG5-14291-00-00 | . BRACKET 1                     | 1   |         |
| 17       | 3G2-1423A-71-00 | . JET, MAIN (#102.5)            | 1   |         |
| 18       | 796-14184-00-00 | . GASKET, FLOAT CHAMBER         | 1   |         |
| 19       | 127-14198-00-00 | . GASKET                        | 1   |         |
| 20       | 7R1-14162-00-00 | . BOLT, HOLDING                 | 1   |         |
| 21       | J10-14597-00-00 | . WASHER                        | 1   |         |
| 22       | JN5-14150-00-00 | . NEEDLE ASSEMBLY               | 1   |         |
| 23       | JH2-1495J-7A-00 | . NOZZLE, MAIN                  | 1   |         |
| 24       | 7E1-14191-00-00 | . PLUG, DRAIN                   | 1   |         |
| 25       | 73A-14212-00-00 | . SPRING                        | 1   |         |
| 26       | JH2-14153-00-00 | . WASHER, MAIN JET              | 1   |         |
| 27       | 73A-1414G-00-00 | . PIPE, MAIN BREED              | 1   |         |

# EXHAUST

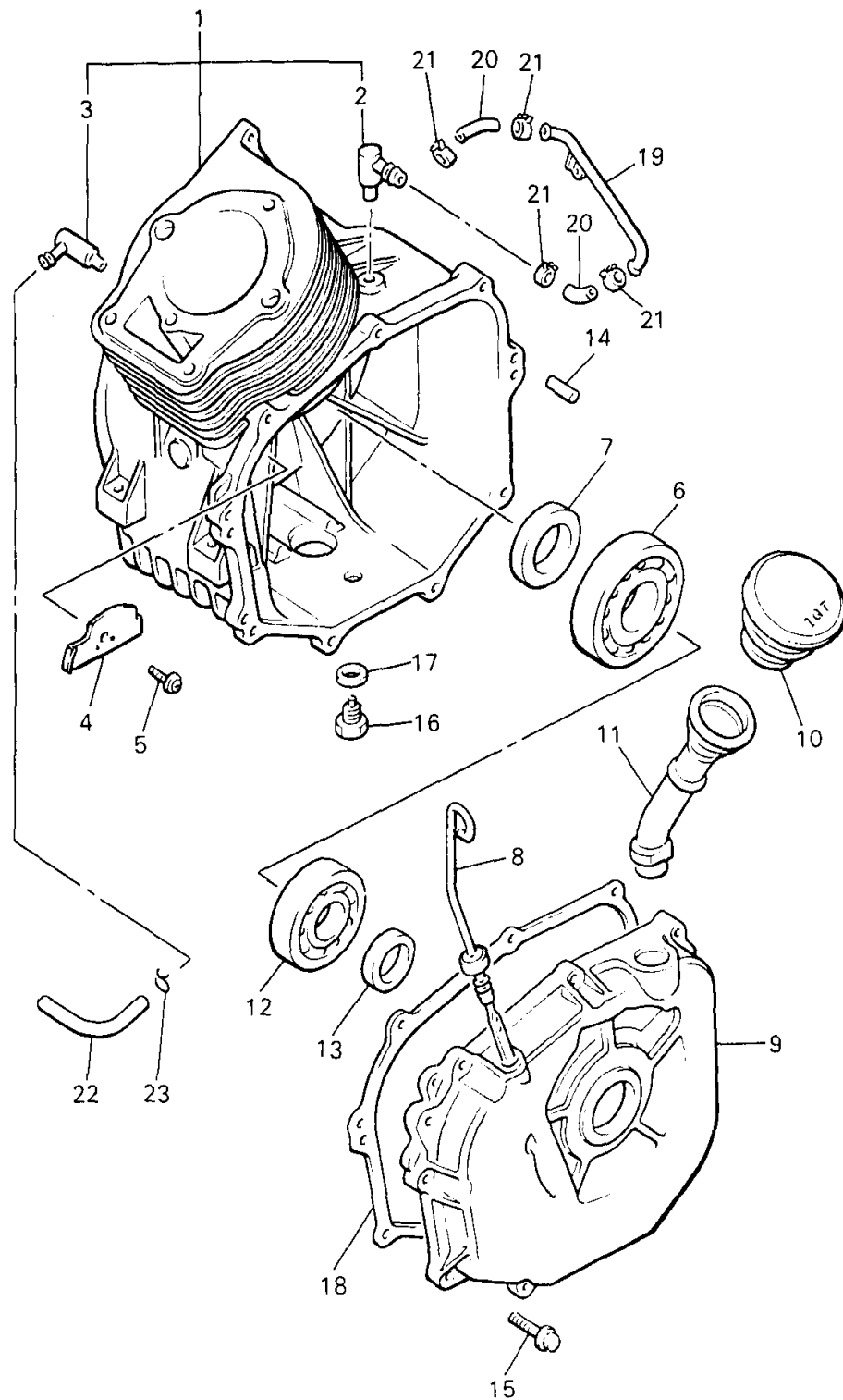


| Ref. No. | Part Number     | Description          | Qty | Remarks |
|----------|-----------------|----------------------|-----|---------|
| 1        | JN3-E4710-00-00 | MUFFLER ASSEMBLY 1   | 1   |         |
| 2        | J38-14613-01-00 | GASKET, EXHAUST PIPE | 1   |         |
| 3        | 95337-08600-00  | NUT (95307-08600-00) | 2   |         |
| 4        | JN3-E4771-00-00 | STAY, MUFFLER 1      | 1   |         |
| 5        | 95027-10020-00  | BOLT, FLANGE         | 2   |         |
| 6        | 90119-08119-00  | BOLT, WITH WASHER    | 2   |         |



JN3100-5070

# CRANKCASE

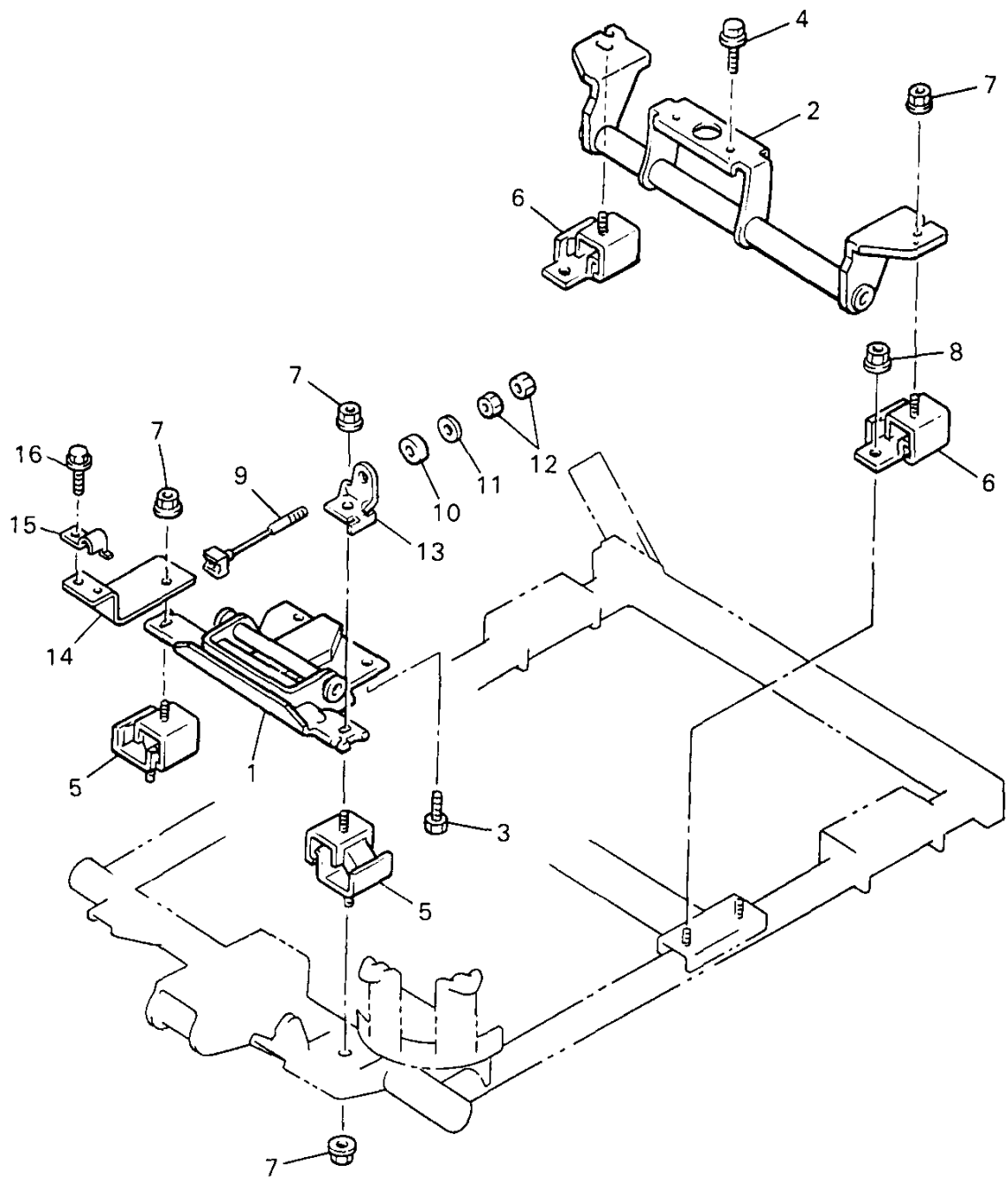


| Ref. No. | Part Number     | Description               | Qty | Remarks |
|----------|-----------------|---------------------------|-----|---------|
| 1        | JN5-15100-00-00 | CRANKCASE ASSEMBLY        | 1   |         |
| 2        | J38-15148-00-00 | . NOZZLE 2                | 1   |         |
| 3        | J38-15155-00-00 | . NOZZLE 3                | 1   |         |
| 4        | JN5-13610-00-00 | REED VALVE ASSEMBLY       | 1   |         |
| 5        | 90159-05117-00  | SCREW, w/washer           | 1   |         |
| 6        | 93306-30709-00  | BEARING                   | 1   |         |
| 7        | 93102-35191-00  | OIL SEAL                  | 1   |         |
| 8        | J38-15361-00-00 | GAUGE, LEVEL              | 1   |         |
| 9        | J38-15411-01-00 | COVER, CRANKCASE 1        | 1   |         |
| 10       | J38-15363-00-00 | PLUG, OIL                 | 1   |         |
| 11       | J38-15112-00-00 | PIPE, OIL                 | 1   |         |
| 12       | 93306-30630-00  | BEARING                   | 1   |         |
| 13       | 93102-30195-00  | OIL SEAL                  | 1   |         |
| 14       | 99510-08012-00  | PIN, DOWEL                | 2   |         |
| 15       | 95817-08035-00  | BOLT, FLANGE              | 9   |         |
| 16       | 97007-12020-00  | BOLT                      | 1   |         |
| 17       | 812-11198-00-00 | GASKET                    | 1   |         |
| 18       | J38-15451-02-00 | GASKET, CRANKCASE COVER 1 | 1   |         |
| 19       | J38-13161-00-00 | PIPE, DELIVERY 1          | 1   |         |
| 20       | 90445-110E6-00  | HOSE                      | 2   |         |
| 21       | 90467-10008-00  | CLIP                      | 4   |         |
| 22       | 90445-09304-00  | HOSE                      | 1   |         |
| 23       | 90467-08017-00  | CLIP                      | 1   |         |



JN3100-5080

# ENGINE BRACKET

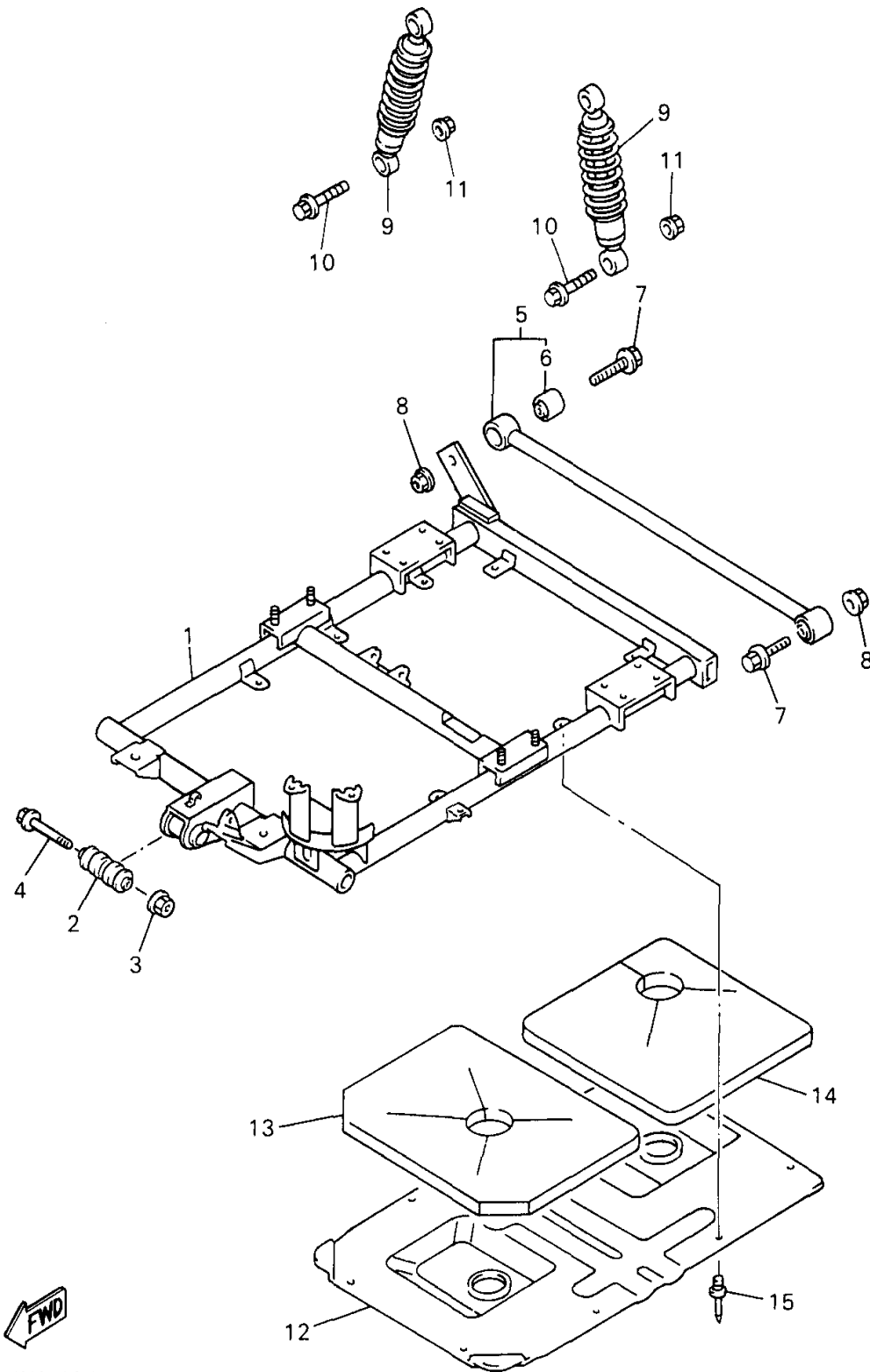


| Ref. No. | Part Number     | Description          | Qty | Remarks |
|----------|-----------------|----------------------|-----|---------|
| 1        | J38-21411-02-00 | BRACKET, ENGINE 1    | 1   |         |
| 2        | JN3-F1419-00-00 | BRACKET, ENGINE 2    | 1   |         |
| 3        | 95817-10025-00  | BOLT, FLANGE         | 2   |         |
| 4        | 95027-10040-00  | BOLT, FLANGE         | 2   |         |
| 5        | J38-21486-00-00 | DAMPER 2             | 2   |         |
| 6        | J38-21488-00-00 | DAMPER               | 2   |         |
| 7        | 95617-10200-00  | NUT, SELF-LOCKING    | 6   |         |
| 8        | 95707-08500-00  | NUT, FLANGE          | 4   |         |
| 9        | JN3-F217J-00-00 | TENSIONER 1          | 1   |         |
| 10       | J17-2214F-00-00 | DAMPER 1             | 1   |         |
| 11       | 90201-06778-00  | WASHER, PLATE        | 1   |         |
| 12       | 95317-06600-00  | NUT (95307-06600-00) | 2   |         |
| 13       | J38-2141A-00-00 | BRACKET 1            | 1   |         |
| 14       | JF2-2142G-00-00 | STAY 1               | 1   |         |
| 15       | JF2-2142H-00-00 | STAY 2               | 1   |         |
| 16       | 95807-06016-00  | BOLT, FLANGE         | 1   |         |



JN3100-5090

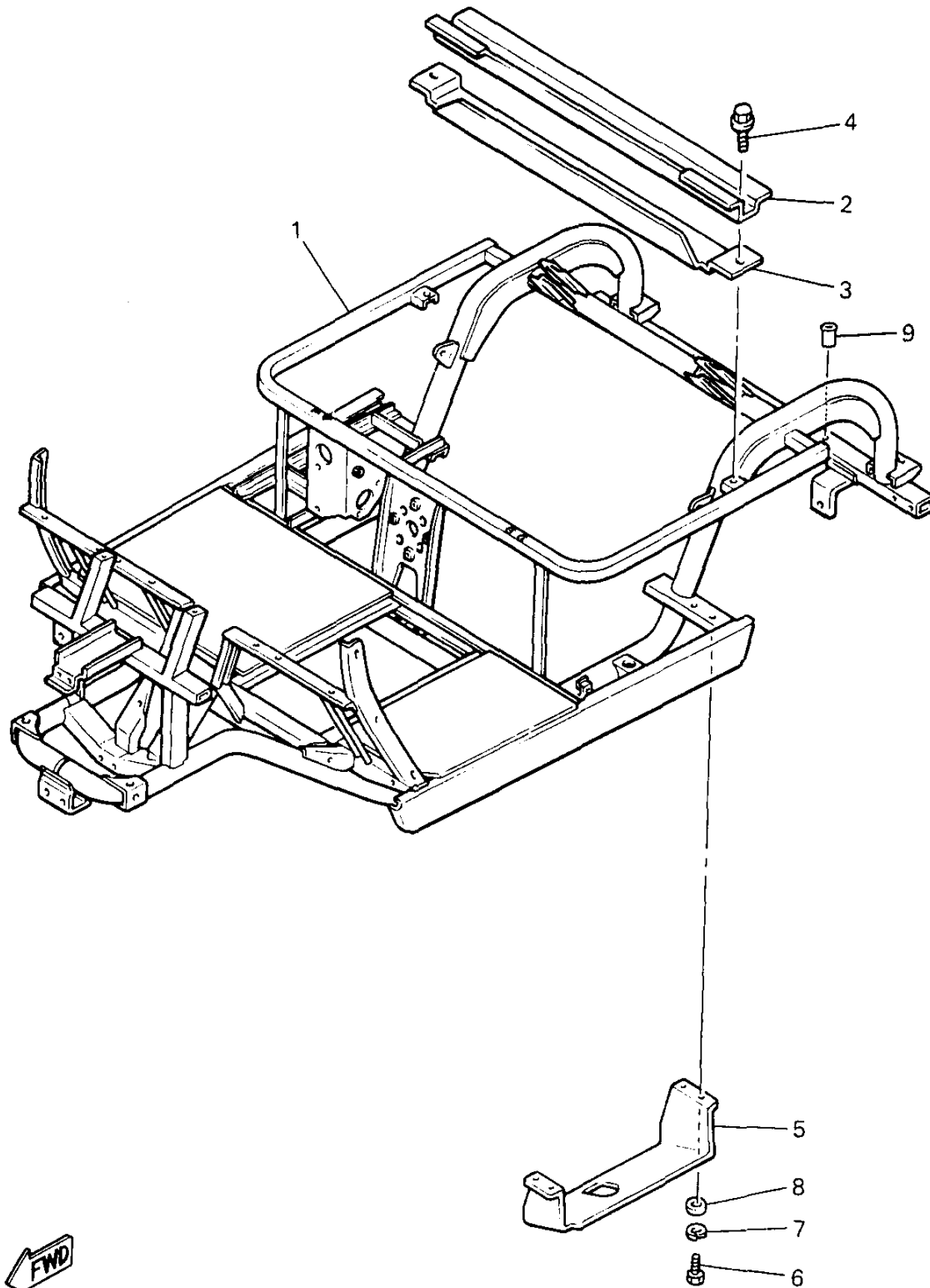
# REAR ARM - SUSPENSION



JN3100-5100

| Ref. No. | Part Number     | Description              | Qty | Remarks |
|----------|-----------------|--------------------------|-----|---------|
| 1        | JN3-F2110-00-00 | REAR ARM COMP. ....      | 1   |         |
| 2        | JN3-22123-00-00 | BUSH 1 .....             | 1   |         |
| 3        | 95617-12200-00  | NUT, SELF-LOCKING .....  | 1   |         |
| 4        | 90105-12743-00  | BOLT, WASHER BASED ..... | 1   |         |
| 5        | JF2-22172-00-00 | ARM, REAR 2 .....        | 1   |         |
| 6        | J50-22124-00-00 | . BUSH 2 .....           | 2   |         |
| 7        | 95817-12065-00  | BOLT, FLANGE .....       | 2   |         |
| 8        | 95617-12200-00  | NUT, SELF-LOCKING .....  | 2   |         |
| 9        | JN3-F2210-00-00 | SHOCK ABSORBER .....     | 2   |         |
| 10       | 95817-10055-00  | BOLT, FLANGE .....       | 4   |         |
| 11       | 95617-10200-00  | NUT, SELF-LOCKING .....  | 4   |         |
| 12       | J38-22128-00-00 | COVER, THRUST 1 .....    | 1   |         |
| 13       | JN3-F211E-00-00 | PANEL, INNER 1 .....     | 1   |         |
| 14       | JN3-F211G-00-00 | PANEL, INNER 2 .....     | 1   |         |
| 15       | 90267-40131-00  | RIVET, BLIND .....       | 9   |         |

# FRAME

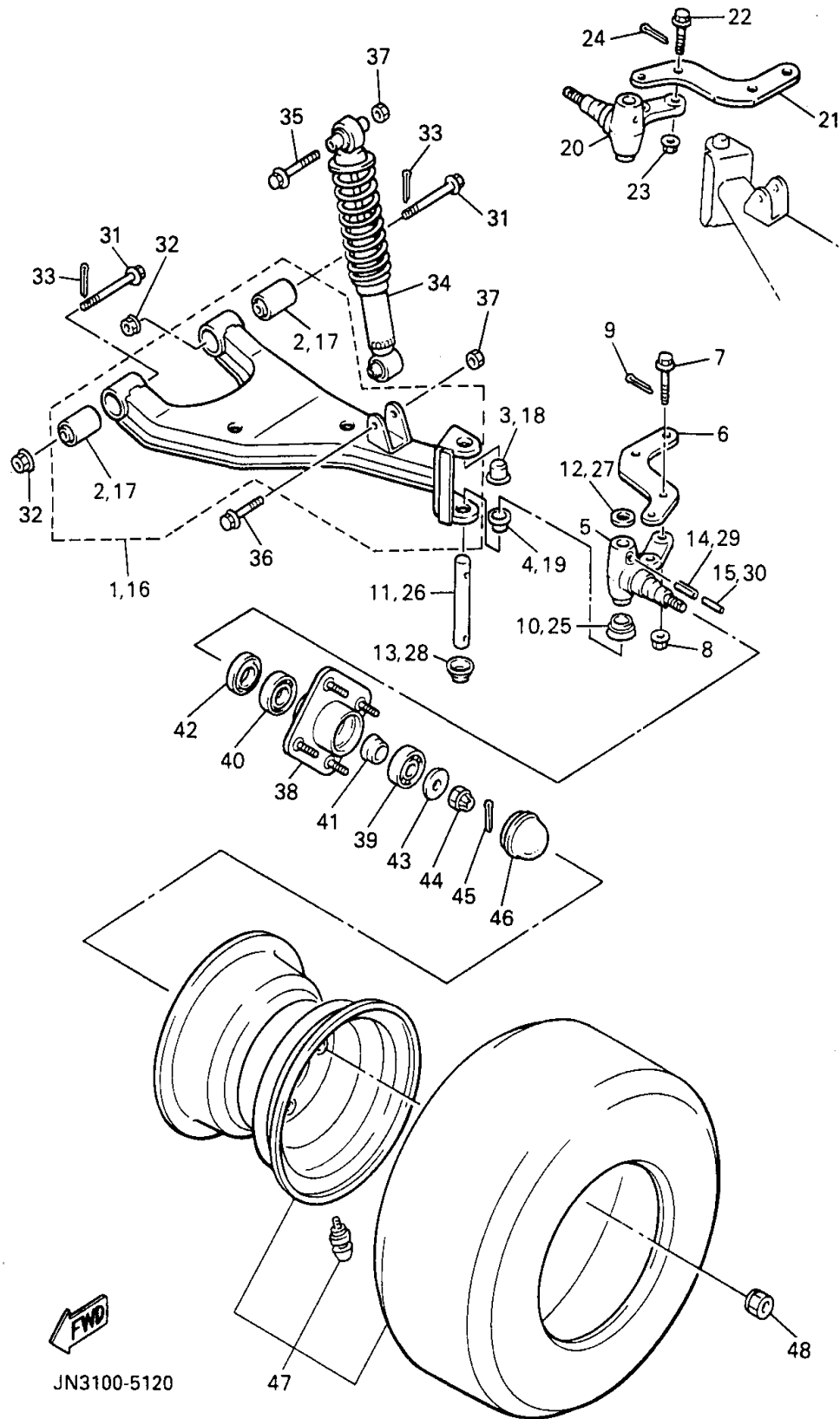


| Ref. No. | Part Number     | Description               | Qty | Remarks |
|----------|-----------------|---------------------------|-----|---------|
| 1        | JN3-F2501-00-00 | FRAME COMP. ....          | 1   |         |
| 2        | JN3-F254R-00-00 | SUPPORT, BODY MOUNTING .  | 1   |         |
| 3        | JF2-K8266-00-00 | PLATE, BODY PROTECT 6 ... | 1   |         |
| 4        | 95817-08016-00  | BOLT, FLANGE .....        | 2   |         |
| 5        | JN3-F2592-00-00 | PLATE 1 .....             | 1   |         |
| 6        | 97007-05012-00  | BOLT .....                | 4   |         |
| 7        | 92907-05100-00  | WASHER, SPRING .....      | 4   |         |
| 8        | 92907-05600-00  | WASHER, PLATE .....       | 4   |         |
| 9        | 90179-06874-00  | NUT .....                 | 2   |         |



JN3100-5110

# FRONT SUSPENSION - WHEEL

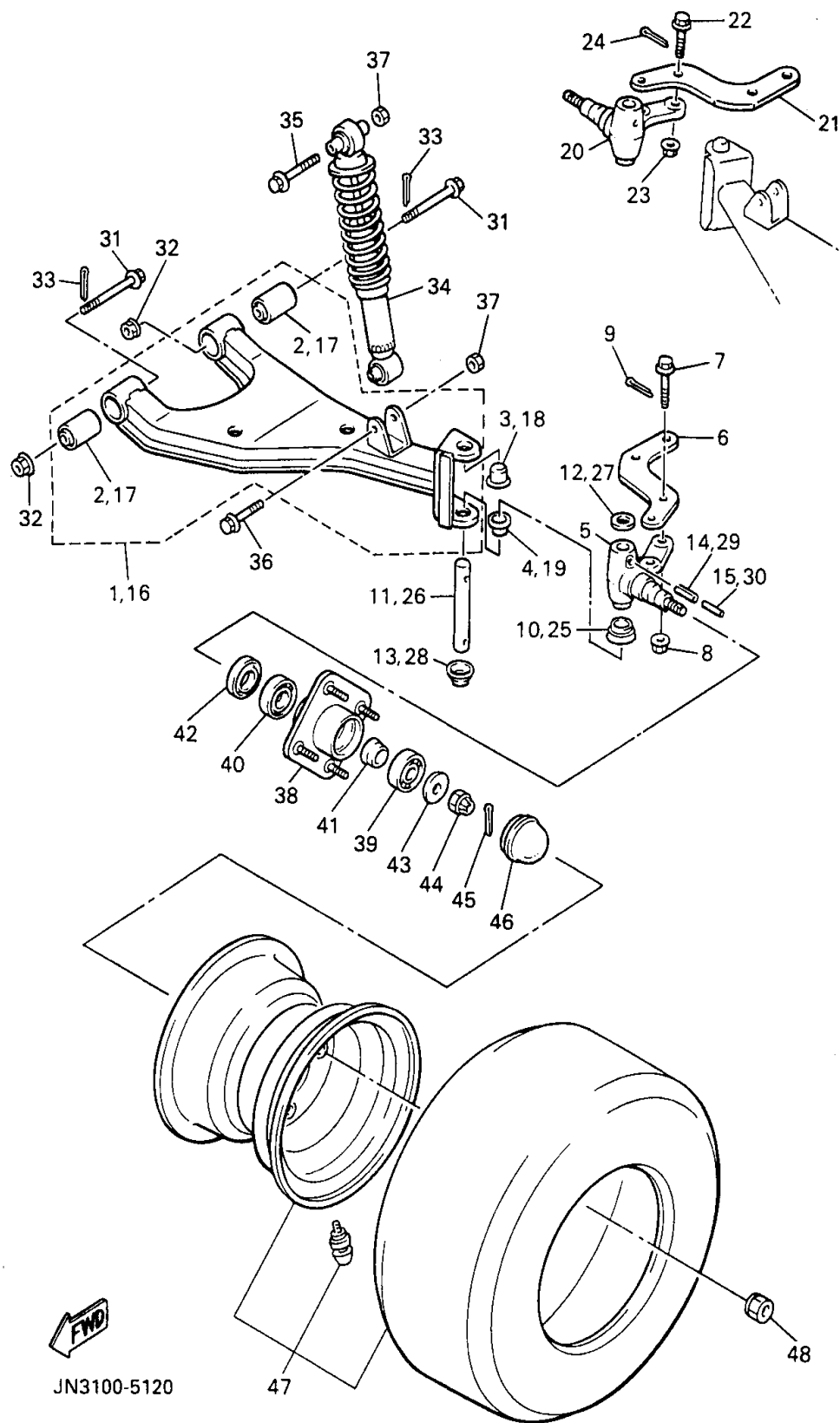


| Ref. No. | Part Number     | Description                   | Qty | Remarks |
|----------|-----------------|-------------------------------|-----|---------|
| 1        | JN3-F3570-00-00 | FRONT LOWER ARM COMP. (LEFT)  | 1   |         |
| 2        | J38-23526-00-00 | . BUSH                        | 2   |         |
| 3        | 90338-17225-00  | PLUG                          | 1   |         |
| 4        | 90386-15139-00  | BUSH                          | 1   |         |
| 5        | J38-23511-01-00 | KNUCKLE, STEERING 1           | 1   |         |
| 6        | JN3-F3512-00-00 | ARM, KNUCKLE                  | 1   |         |
| 7        | 90105-10360-00  | BOLT, FLANGE                  | 2   |         |
| 8        | 95617-10200-00  | NUT, SELF-LOCKING             | 2   |         |
| 9        | 91490-25020-00  | PIN, COTTER                   | 2   |         |
| 10       | J38-23527-00-00 | SEAL, DUST                    | 1   |         |
| 11       | J38-23516-00-00 | PIN, STEERING KNUCKLE         | 1   |         |
| 12       | 90201-156J2-00  | WASHER, PLAIN                 | 1   |         |
| 13       | J38-23528-00-00 | SEAL, DUST                    | 1   |         |
| 14       | 91609-60028-00  | PIN, SPRING                   | 1   |         |
| 15       | 91609-35028-00  | PIN, SPRING                   | 1   |         |
| 16       | JN3-F3580-00-00 | FRONT LOWER ARM COMP. (RIGHT) | 1   |         |
| 17       | J38-23526-00-00 | . BUSH                        | 2   |         |
| 18       | 90338-17225-00  | PLUG                          | 1   |         |
| 19       | 90386-15139-00  | BUSH                          | 1   |         |
| 20       | J38-23521-01-00 | KNUCKLE, STEERING 2           | 1   |         |
| 21       | JN3-F3512-00-00 | ARM, KNUCKLE                  | 1   |         |
| 22       | 90105-10360-00  | BOLT, FLANGE                  | 2   |         |
| 23       | 95617-10200-00  | NUT, SELF-LOCKING             | 2   |         |
| 24       | 91490-25020-00  | PIN, COTTER                   | 2   |         |
| 25       | J38-23527-00-00 | SEAL, DUST                    | 1   |         |
| 26       | J38-23516-00-00 | PIN, STEERING KNUCKLE         | 1   |         |
| 27       | 90201-156J2-00  | WASHER, PLAIN                 | 1   |         |

CONTINUED ON NEXT FRAME ►

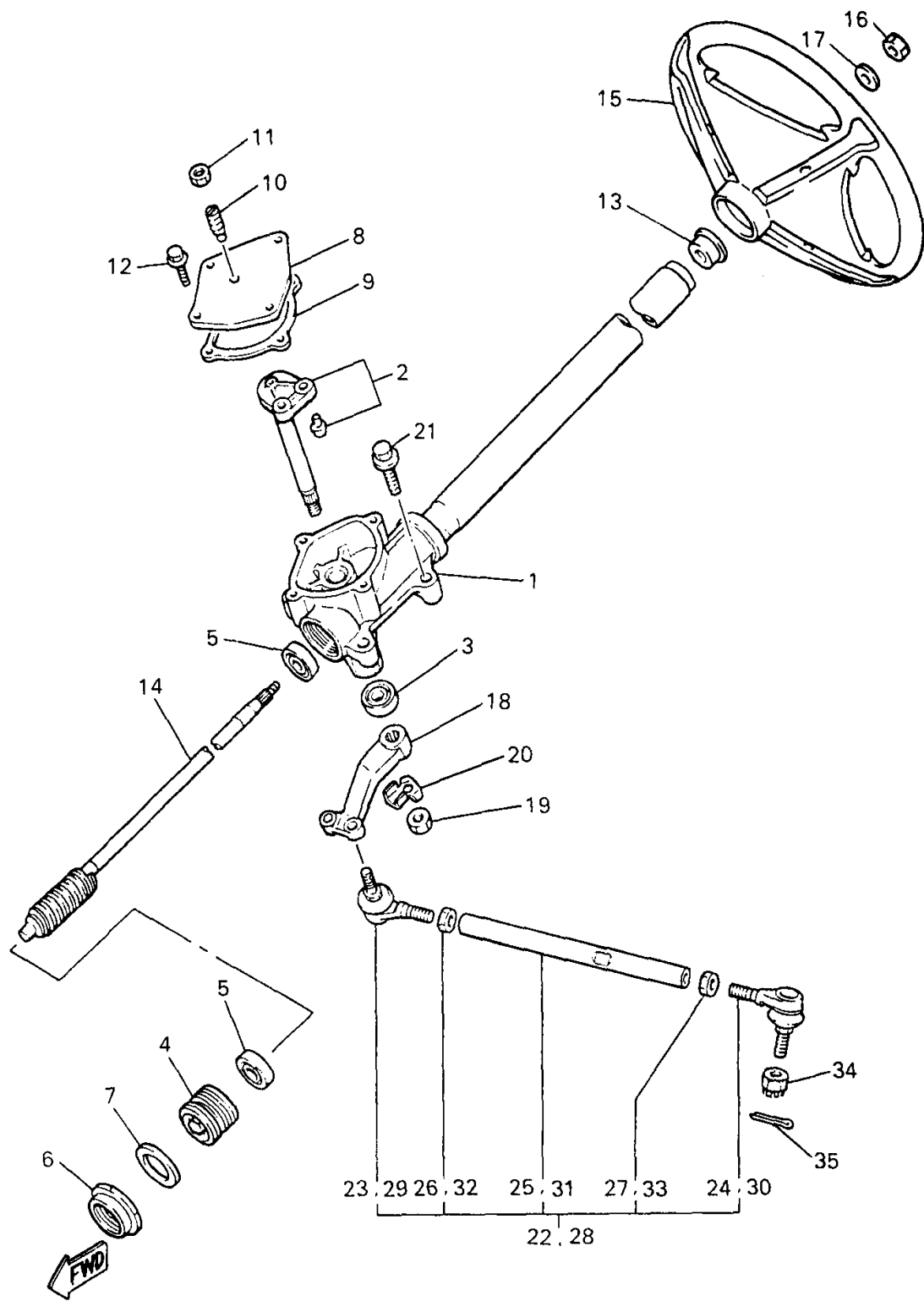
JN3100-5120

# FRONT SUSPENSION - WHEEL



| Ref. No. | Part Number     | Description             | Qty | Remarks |
|----------|-----------------|-------------------------|-----|---------|
| 28       | J38-23528-00-00 | SEAL, DUST .....        | 1   |         |
| 29       | 91609-60028-00  | PIN, SPRING .....       | 1   |         |
| 30       | 91609-35028-00  | PIN, SPRING .....       | 1   |         |
| 31       | 90105-10357-00  | BOLT, FLANGE .....      | 4   |         |
| 32       | 95617-10200-00  | NUT, SELF-LOCKING ..... | 4   |         |
| 33       | 91490-25020-00  | PIN, COTTER .....       | 4   |         |
| 34       | JN3-F3350-00-00 | CUSHION ASSEMBLY. ....  | 2   |         |
| 35       | 95807-10065-00  | BOLT, FLANGE .....      | 2   |         |
| 36       | 95817-10050-00  | BOLT, FLANGE .....      | 2   |         |
| 37       | 95617-10200-00  | NUT, SELF-LOCKING ..... | 4   |         |
| 38       | JG5-WF511-00-00 | HUB .....               | 2   |         |
| 39       | 93306-204X0-00  | BEARING .....           | 2   |         |
| 40       | 93306-005Y3-00  | BEARING .....           | 2   |         |
| 41       | 90387-241M7-00  | COLLAR .....            | 2   |         |
| 42       | 93102-30083-00  | SEAL, OIL .....         | 2   |         |
| 43       | 90209-32271-00  | WASHER .....            | 2   |         |
| 44       | 95607-14100-00  | NUT, U .....            | 2   |         |
| 45       | 91490-25020-00  | PIN, COTTER .....       | 2   |         |
| 46       | J17-25118-00-00 | COVER, HUB DUST .....   | 2   |         |
| 47       | UNA-VAILA-BL-EI | 0 0 .....               |     |         |
| 48       | 90179-12262-00  | NUT .....               | 8   |         |

# STEERING



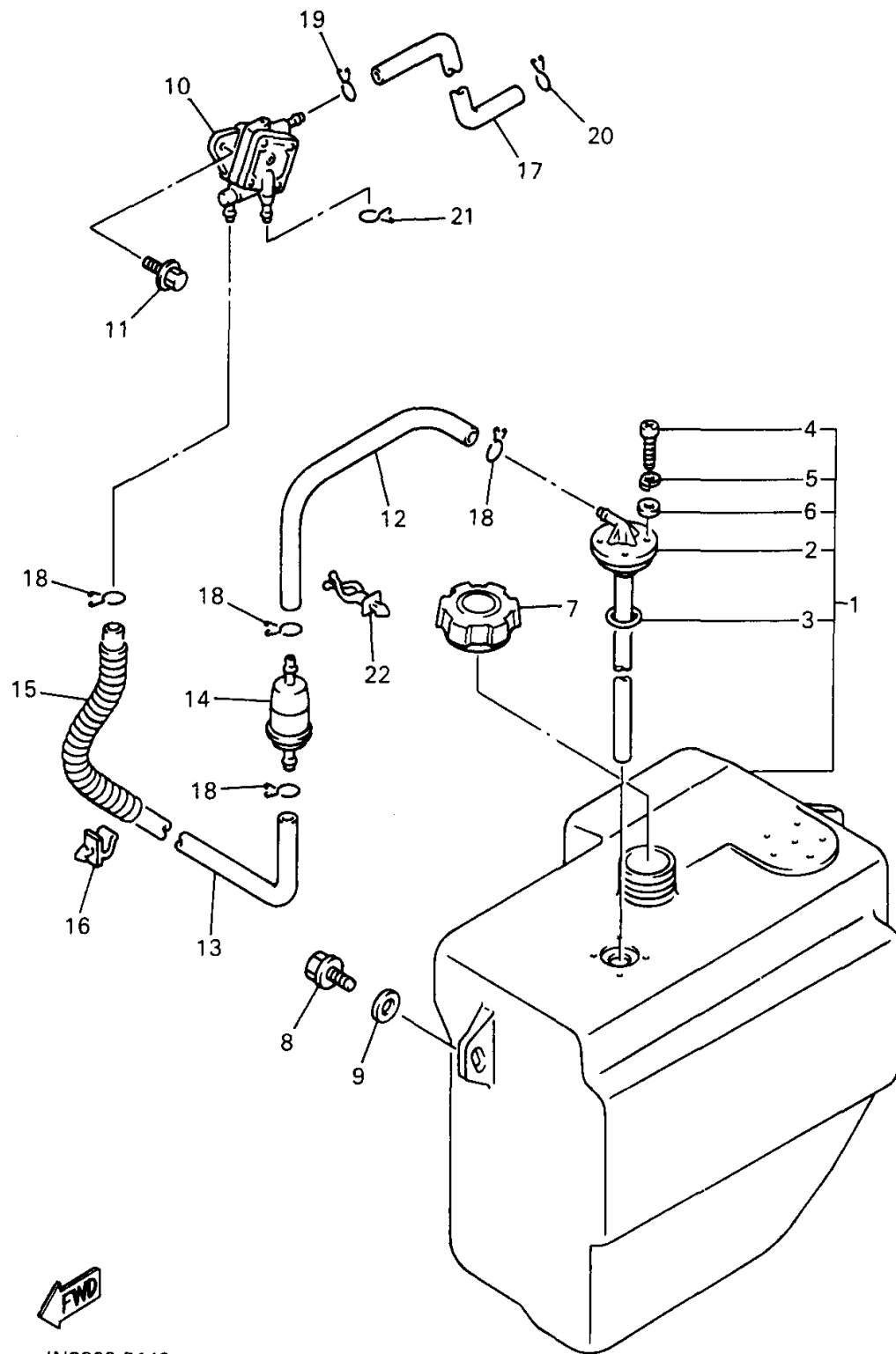
| Ref. No. | Part Number     | Description                         | Qty | Remarks |
|----------|-----------------|-------------------------------------|-----|---------|
| 1        | JG5-F3811-00-00 | COLUMN, STEERING                    | 1   |         |
| 2        | J38-23816-00-00 | ARM, PITMAN                         | 1   |         |
| 3        | 93102-22314-00  | SEAL, OIL                           | 1   |         |
| 4        | J55-F3876-00-00 | BOLT                                | 1   |         |
| 5        | 93332-000Y2-00  | BEARING                             | 2   |         |
| 6        | J10-23877-00-00 | NUT                                 | 1   |         |
| 7        | J10-23444-00-00 | WASHER                              | 1   |         |
| 8        | JN3-F3818-00-00 | COVER, STEERING                     | 1   |         |
| 9        | J38-23462-00-00 | SEAL, STEERING<br>(J38-23462-01-00) | 1   |         |
| 10       | J10-23459-00-00 | BOLT                                | 1   |         |
| 11       | 90170-08024-00  | NUT, HEX.                           | 1   |         |
| 12       | 95817-06020-00  | BOLT, FLANGE                        | 4   |         |
| 13       | JN3-F3814-00-00 | HOLDER, HANDLE                      | 1   |         |
| 14       | J10-23840-00-00 | STEERING SHAFT                      | 1   |         |
| 15       | JN3-F3838-00-00 | WHEEL, STEERING                     | 1   |         |
| 16       | 90185-12119-00  | NUT, SELF-LOCKING                   | 1   |         |
| 17       | 92907-12200-00  | WASHER, PLAIN                       | 1   |         |
| 18       | J38-23826-01-00 | ARM, IDLER                          | 1   |         |
| 19       | 95707-16300-00  | NUT, NYLON                          | 1   |         |
| 20       | 90215-16252-00  | WASHER, TONGUE                      | 1   |         |
| 21       | 95817-10050-00  | BOLT, FLANGE                        | 4   |         |
| 22       | JN3-F3830-00-00 | TIE ROD ASSEMBLY, LEFT              | 1   |         |
| 23       | UNA-VAILA-BL-EI | 0 0                                 |     |         |
| 24       | UNA-VAILA-BL-EI | 0 0                                 |     |         |
| 25       | UNA-VAILA-BL-EI | 0 0                                 |     |         |
| 26       | UNA-VAILA-BL-EI | 0 0                                 |     |         |
| 27       | UNA-VAILA-BL-EI | 0 0                                 |     |         |
| 28       | JN3-F3850-00-00 | TIE ROD ASSEMBLY, RIGHT             | 1   |         |

CONTINUED ON NEXT FRAME ►

JN3300-5130



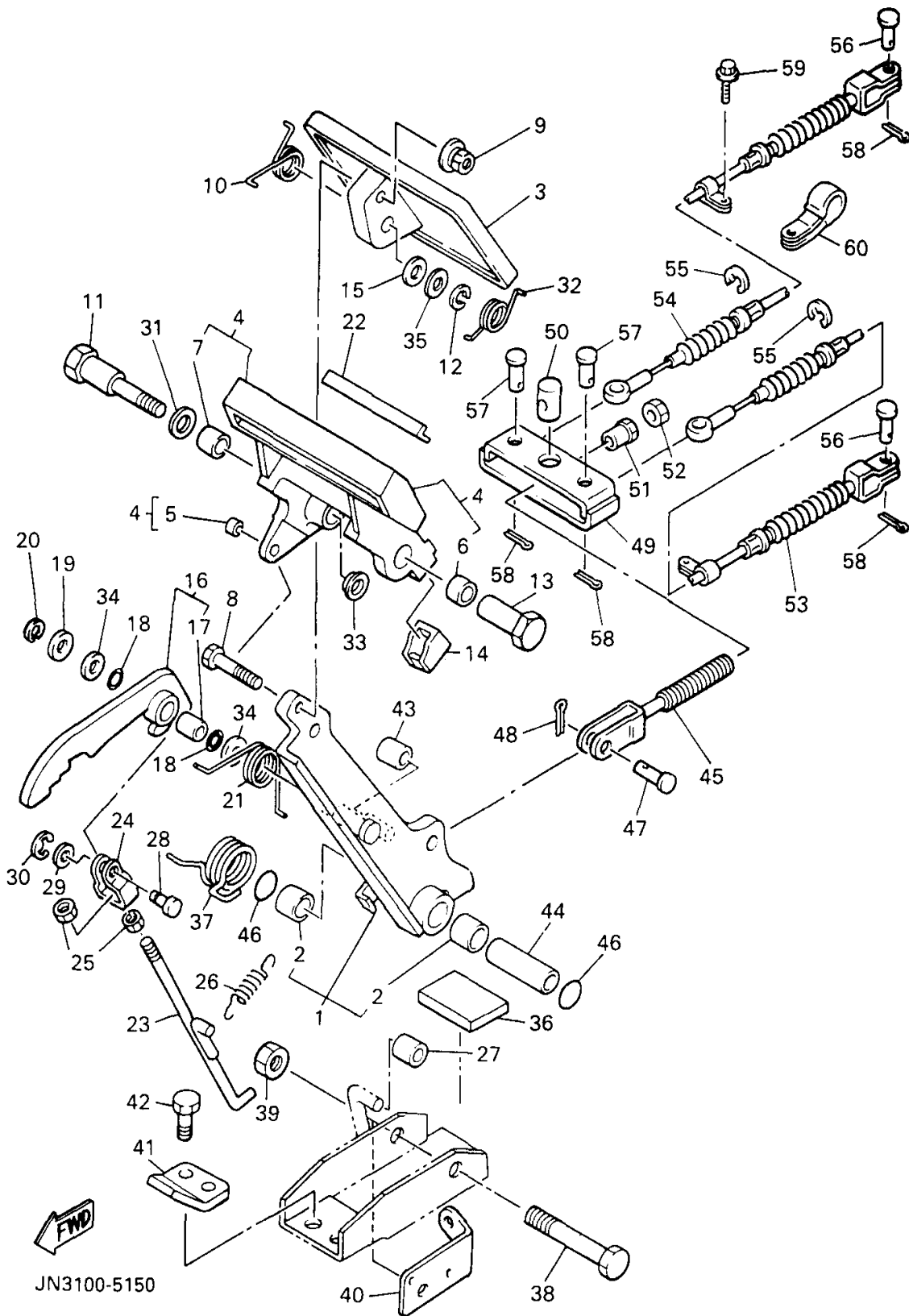
# FUEL TANK



JN3300-5140

| Ref. No. | Part Number     | Description              | Qty | Remarks |
|----------|-----------------|--------------------------|-----|---------|
| 1        | JN3-F4110-00-00 | FUEL TANK COMP. ....     | 1   |         |
| 2        | UNA-VAILA-BL-EI | 0 0 .....                |     |         |
| 3        | UNA-VAILA-BL-EI | 0 0 .....                |     |         |
| 4        | UNA-VAILA-BL-EI | 0 0 .....                |     |         |
| 5        | UNA-VAILA-BL-EI | 0 0 .....                |     |         |
| 6        | UNA-VAILA-BL-EI | 0 0 .....                |     |         |
| 7        | JH2-24610-00-00 | CAP ASSEMBLY .....       | 1   |         |
| 8        | 95807-08020-00  | BOLT, FLANGE .....       | 3   |         |
| 9        | 90560-08066-00  | SPACER .....             | 3   |         |
| 10       | JF2-24410-20-00 | FUEL PUMP ASSEMBLY ..... | 1   |         |
| 11       | 95807-06016-00  | BOLT, FLANGE .....       | 2   |         |
| 12       | JN3-F4311-00-00 | PIPE, FUEL 1 .....       | 1   |         |
| 13       | JN3-F4312-00-00 | PIPE 2 .....             | 1   |         |
| 14       | JN3-F4560-00-00 | FILTER ASSEMBLY. ....    | 1   |         |
| 15       | JN3-F4327-00-00 | PROTECTOR, PIPE .....    | 1   |         |
| 16       | 90464-11074-00  | CLAMP .....              | 2   |         |
| 17       | 90445-093J2-00  | HOSE .....               | 1   |         |
| 18       | 90467-11009-00  | CLIP .....               | 4   |         |
| 19       | 90467-08017-00  | CLIP .....               | 1   |         |
| 20       | 90467-08017-00  | CLIP .....               | 1   |         |
| 21       | 90467-09006-00  | CLIP .....               | 1   |         |
| 22       | 90464-11816-00  | CLAMP .....              | 1   |         |

# BRAKE

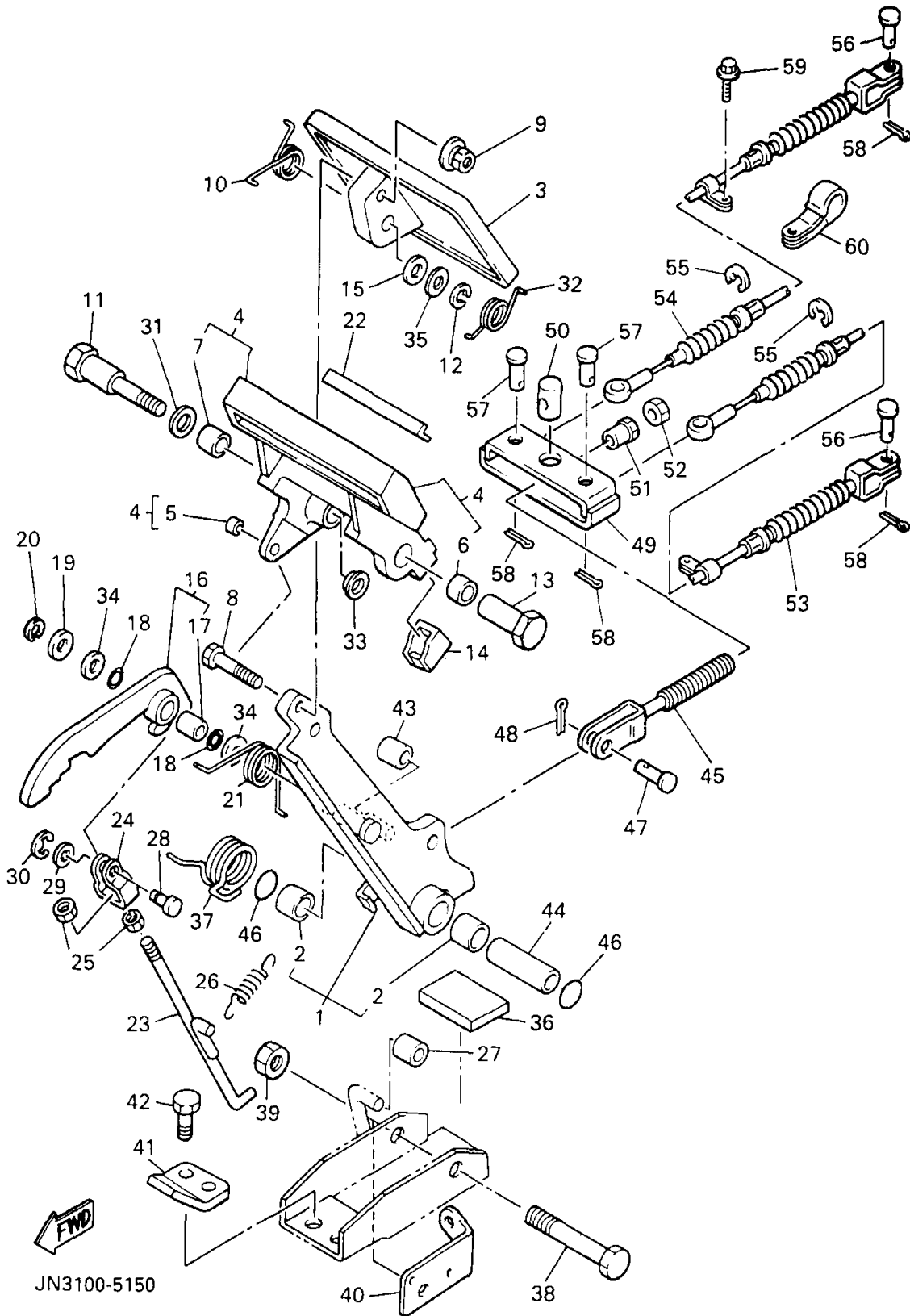


JN3100-5150

| Ref. No. | Part Number     | Description           | Qty | Remarks |
|----------|-----------------|-----------------------|-----|---------|
| 1        | J46-27250-03-00 | BRAKE ARM COMP        | 1   |         |
| 2        | 90384-14080-00  | . BUSH, BIMETAL       | 2   |         |
| 3        | J10-27211-00-00 | PEDAL, BRAKE          | 1   |         |
| 4        | J17-25670-01-00 | PARKING PEDAL COMP.   | 1   |         |
| 5        | 90384-05163-00  | . BUSH, BIMETAL       | 1   |         |
| 6        | 90384-12164-00  | . BUSH, BIMETAL       | 1   |         |
| 7        | 90380-12051-00  | . BUSH, SOLID         | 1   |         |
| 8        | 90101-06555-00  | BOLT, HEX.            | 1   |         |
| 9        | 90179-07564-00  | NUT                   | 1   |         |
| 10       | 90508-23542-00  | SPRING, TORSION       | 1   |         |
| 11       | 90109-08669-00  | BOLT                  | 1   |         |
| 12       | 92907-08100-00  | WASHER, SPRING        | 1   |         |
| 13       | 90179-08378-00  | NUT                   | 1   |         |
| 14       | J17-25679-01-00 | DAMPER                | 2   |         |
| 15       | 92907-08200-00  | WASHER                | 1   |         |
| 16       | J17-W2561-02-00 | SECTOR, PARKING BRAKE | 1   |         |
| 17       | 90384-10162-00  | . BUSH, BIMETAL       | 1   |         |
| 18       | J17-27221-00-00 | SEAL, SHAFT           | 2   |         |
| 19       | 92907-10600-00  | WASHER, PLATE         | 1   |         |
| 20       | 99080-07600-00  | CIRCLIP (E)           | 1   |         |
| 21       | 90508-14548-00  | SPRING, TORSION       | 1   |         |
| 22       | J17-25672-01-00 | PAD, PARKING          | 1   |         |
| 23       | J17-27231-03-00 | ROD, BRAKE            | 1   |         |
| 24       | J17-27232-00-00 | END, ROD              | 1   |         |
| 25       | 95307-06700-00  | NUT                   | 2   |         |
| 26       | 90506-12277-00  | SPRING, TENSION       | 1   |         |
| 27       | J17-25673-00-00 | DAMPER, BRAKE         | 1   |         |
| 28       | J17-27228-00-00 | PIN, LINK JOINT       | 1   |         |
| 29       | 92907-05600-00  | WASHER, PLATE         | 1   |         |

CONTINUED ON NEXT FRAME ➤

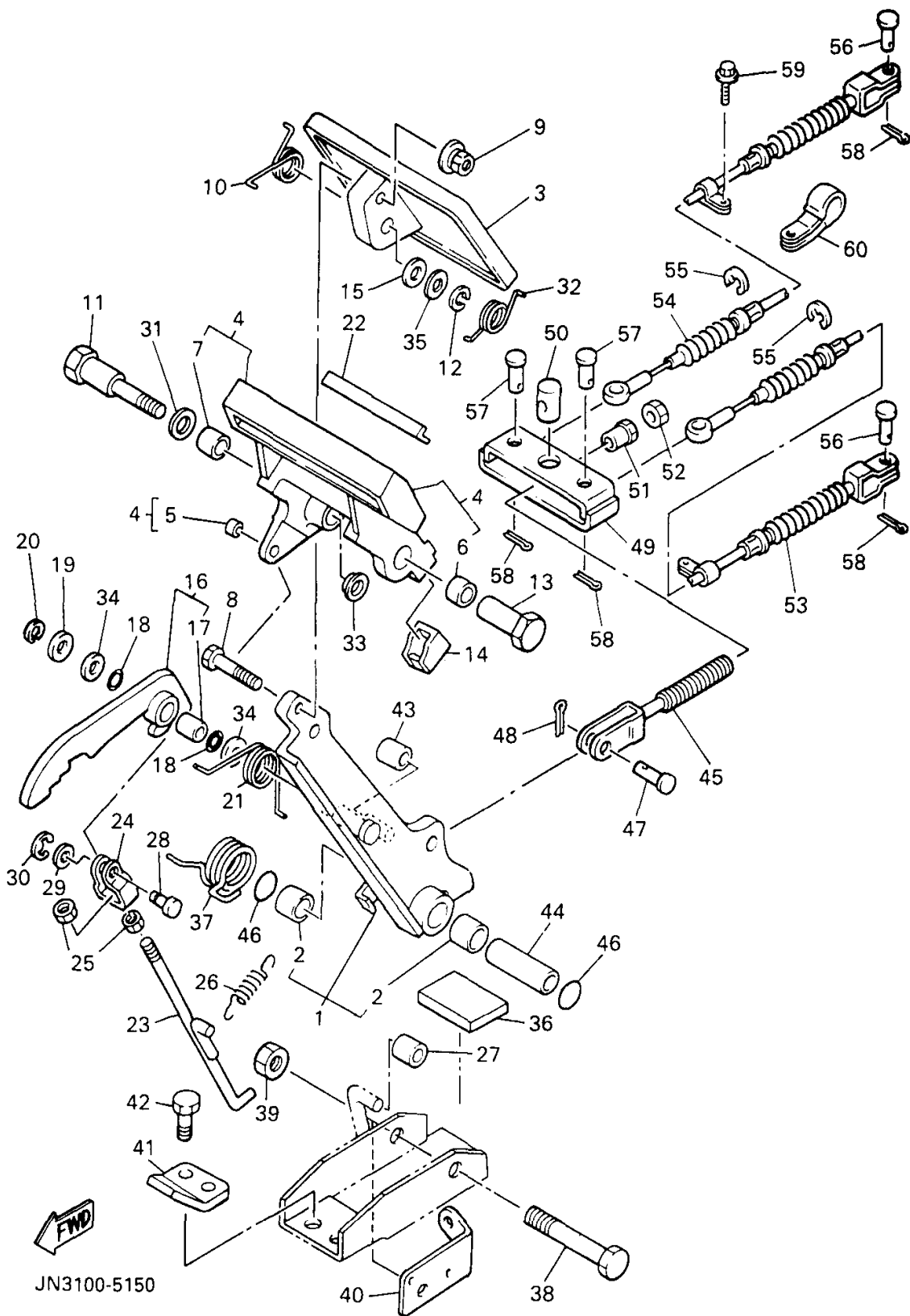
# BRAKE



| Ref. No. | Part Number     | Description       | Qty | Remarks |
|----------|-----------------|-------------------|-----|---------|
| 30       | 99080-04600-00  | CIRCLIP (E)       | 1   |         |
| 31       | 90201-123F2-00  | WASHER, PLAIN     | 1   |         |
| 32       | 90508-26557-00  | SPRING, TORSION   | 1   |         |
| 33       | 90380-12105-00  | BUSH, SOLID       | 1   |         |
| 34       | 90201-104G8-00  | WASHER, PLAIN     | 2   |         |
| 35       | J55-27226-00-00 | WASHER, LINK      | 1   |         |
| 36       | JN3-F7245-00-00 | PAD, BRAKE PEDAL  | 1   |         |
| 37       | 90508-405A9-00  | SPRING, TORSION   | 1   |         |
| 38       | 90101-10447-00  | BOLT, HEX.        | 1   |         |
| 39       | 95617-10200-00  | NUT, SELF-LOCKING | 1   |         |
| 40       | J55-2252M-00-00 | BRACKET,          | 1   |         |
| 41       | J17-27246-00-00 | NAIL, BRAKE       | 1   |         |
| 42       | 95807-08020-00  | BOLT, FLANGE      | 2   |         |
| 43       | J17-25673-00-00 | DAMPER, BRAKE     | 1   |         |
| 44       | 90387-107F8-00  | COLLAR            | 1   |         |
| 45       | JF2-25685-00-00 | ROD               | 1   |         |
| 46       | 93210-132A8-00  | O-RING            | 2   |         |
| 47       | 91701-10022-00  | PIN               | 1   |         |
| 48       | 91490-30020-00  | PIN, COTTER       | 1   |         |
| 49       | JF2-25681-00-00 | EQUALIZER, BRAKE  | 1   |         |
| 50       | 90249-14129-00  | PIN               | 1   |         |
| 51       | 90179-08261-00  | NUT               | 1   |         |
| 52       | 95307-08700-00  | NUT               | 1   |         |
| 53       | JF2-F6341-10-00 | WIRE, BRAKE 1     | 1   |         |
| 54       | JF2-F6351-10-00 | WIRE, BRAKE       | 1   |         |
| 55       | 99001-09600-00  | CIRCLIP           | 4   |         |
| 56       | 91701-08018-00  | PIN               | 2   |         |
| 57       | 91701-08026-00  | PIN               | 2   |         |
| 58       | 91490-25020-00  | PIN, COTTER       | 4   |         |

CONTINUED ON NEXT FRAME ➤

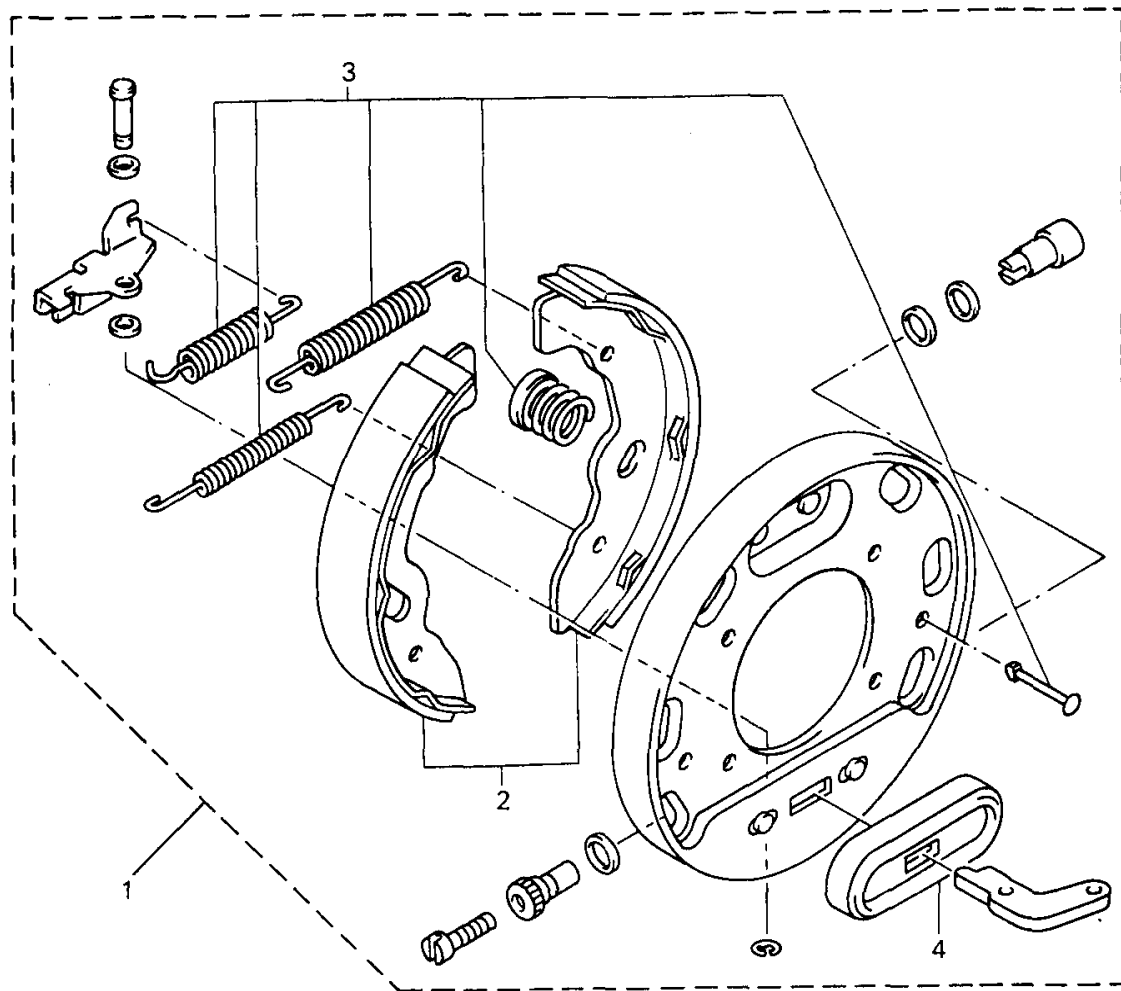
# BRAKE



| Ref. No. | Part Number    | Description        | Qty | Remarks |
|----------|----------------|--------------------|-----|---------|
| 59       | 95807-06016-00 | BOLT, FLANGE ..... | 2   |         |
| 60       | 90461-08133-00 | CLAMP .....        | 1   |         |

JN3100-5150

## BRAKE 2



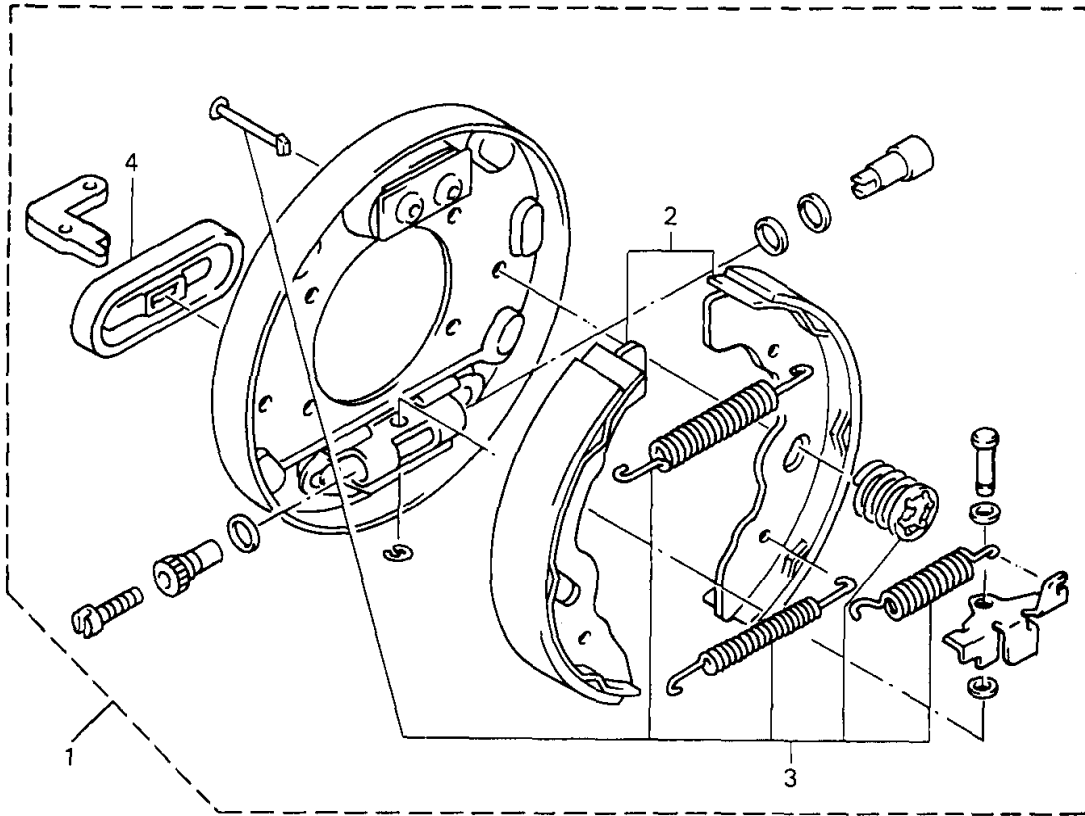
| Ref. No. | Part Number     | Description         | Qty | Remarks |
|----------|-----------------|---------------------|-----|---------|
| 1        | JN3-F7280-00-00 | BACKING PLATE, (RH) | 1   |         |
| 2        | JN3-F5340-00-00 | . SHOE, BRAKE SET   | 1   |         |
| 3        | JG5-F819G-00-00 | . REPAIR PARTS KIT  | 1   |         |
| 4        | JG5-F7286-00-00 | . COVER, DUST       | 1   |         |



JN4100-5060

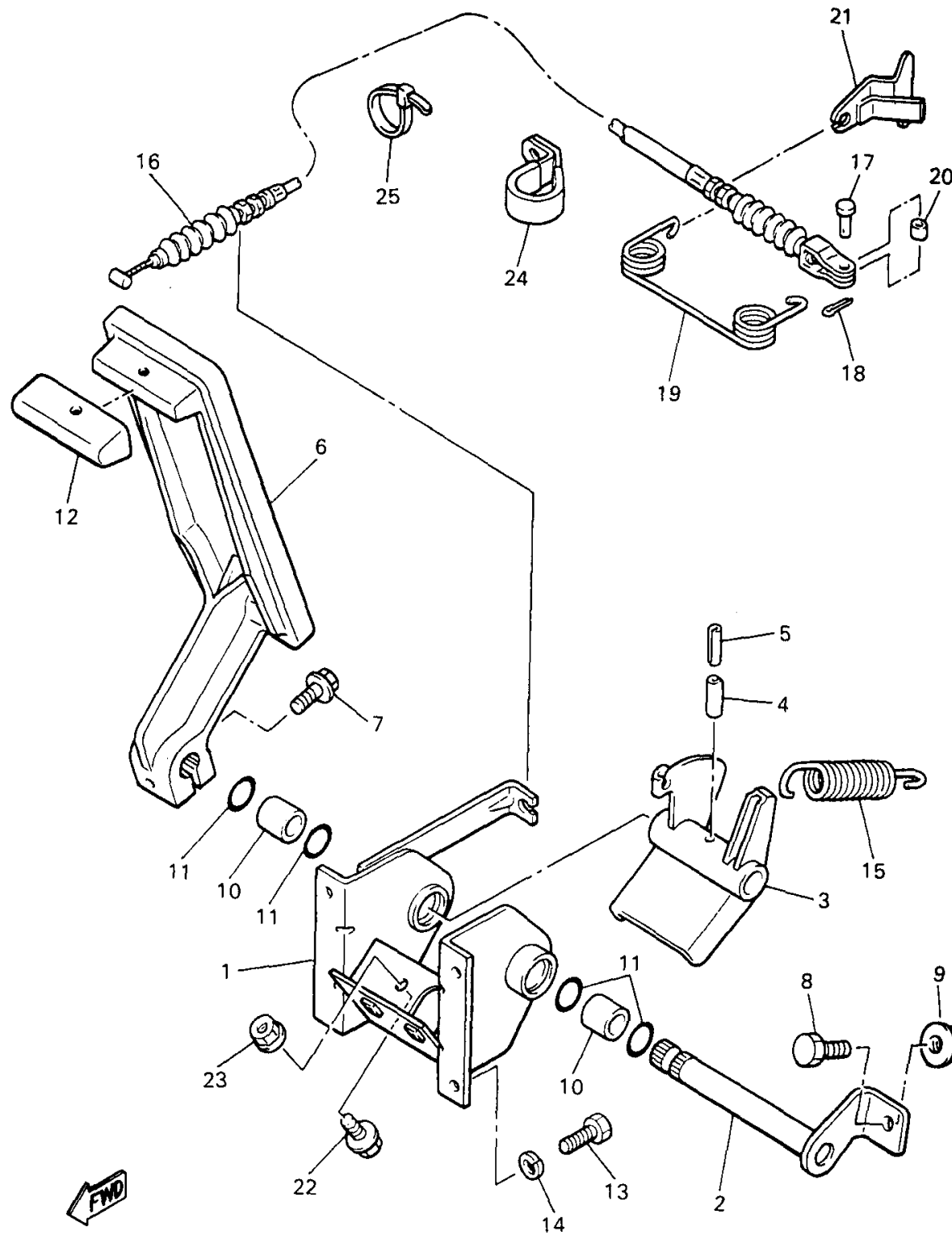
## BRAKE 3

| Ref. No. | Part Number     | Description         | Qty | Remarks |
|----------|-----------------|---------------------|-----|---------|
| 1        | JN3-F7290-00-00 | BACKING PLATE, LEFT | 1   |         |
| 2        | JN3-F5330-00-00 | . SHOE, BRAKE SET   | 1   |         |
| 3        | JG5-F819G-00-00 | . REPAIR PARTS KIT  | 1   |         |
| 4        | JG5-F7286-00-00 | . COVER, DUST       | 1   |         |



JN4100-5070

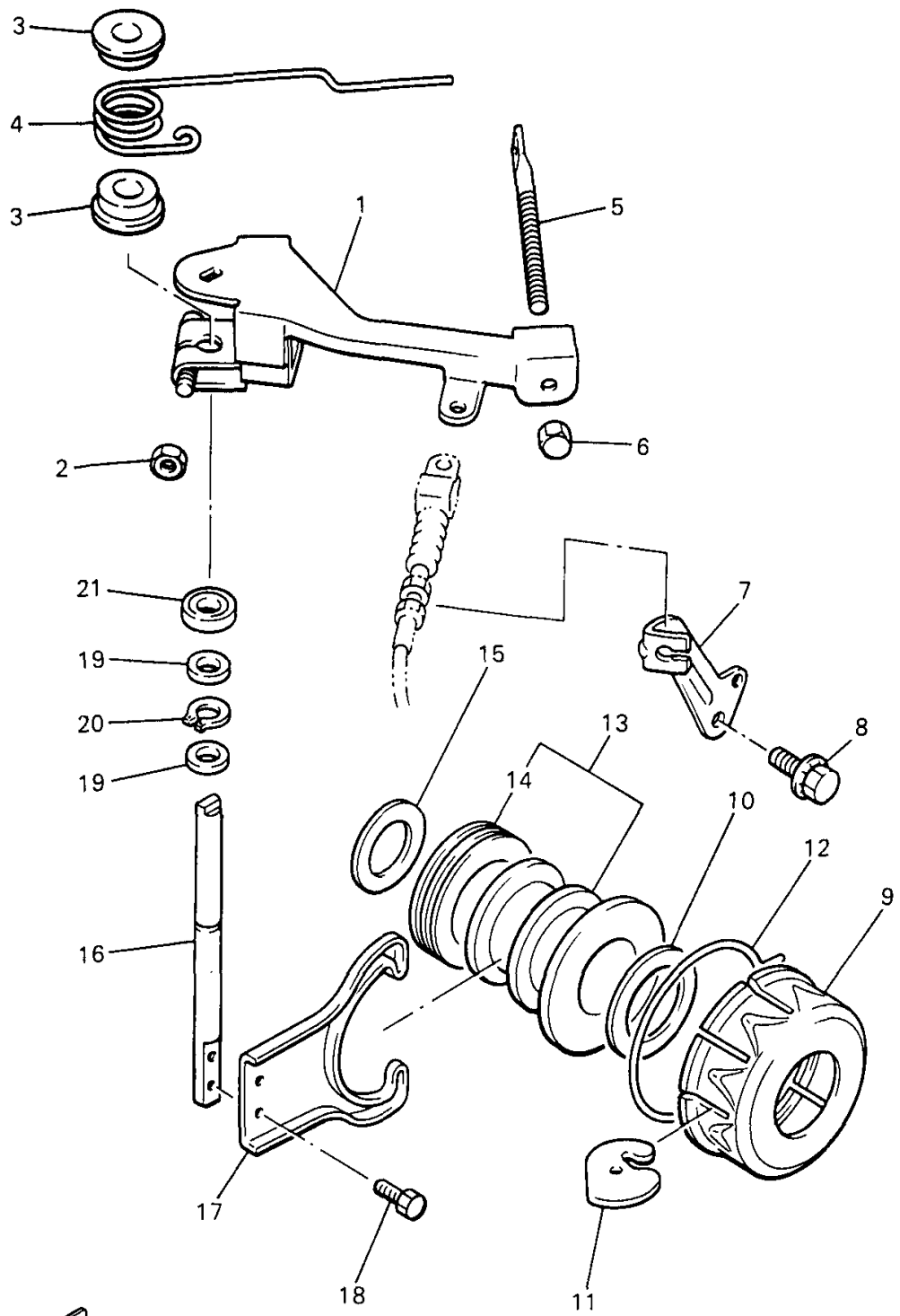
# ACCELERATOR



JN3300-5180

| Ref. No. | Part Number     | Description                      | Qty | Remarks |
|----------|-----------------|----------------------------------|-----|---------|
| 1        | JN3-27874-00-00 | BRACKET, ACCELERATOR PEDAL ..... | 1   |         |
| 2        | J17-27853-01-00 | SHAFT, PEDAL .....               | 1   |         |
| 3        | J38-27872-00-00 | ARM, ACCELERATOR .....           | 1   |         |
| 4        | 91609-60028-00  | PIN, SPRING .....                | 1   |         |
| 5        | 91609-35028-00  | PIN, SPRING .....                | 1   |         |
| 6        | JF3-27871-00-00 | PEDAL, ACCELERATOR .....         | 1   |         |
| 7        | 95817-06025-00  | BOLT, FLANGE .....               | 1   |         |
| 8        | 90106-08040-00  | BOLT, RD. HEX .....              | 1   |         |
| 9        | 95707-08500-00  | NUT, FLANGE .....                | 1   |         |
| 10       | 90384-14080-00  | BUSH, BIMETAL .....              | 2   |         |
| 11       | 93210-14104-00  | O-RING .....                     | 4   |         |
| 12       | JN3-F7854-00-00 | COVER, PEDAL .....               | 1   |         |
| 13       | 97007-06016-00  | BOLT .....                       | 4   |         |
| 14       | 92907-06100-00  | WASHER, SPRING .....             | 4   |         |
| 15       | 90506-26282-00  | SPRING, TENSION .....            | 1   |         |
| 16       | JN3-F6311-00-00 | WIRE, THROTTLE .....             | 1   |         |
| 17       | 91702-05012-00  | PIN .....                        | 1   |         |
| 18       | 90468-10050-00  | CLIP .....                       | 1   |         |
| 19       | 90508-16460-00  | SPRING, TORSION .....            | 1   |         |
| 20       | 90560-05001-00  | SPACER .....                     | 1   |         |
| 21       | J38-27981-00-00 | BRACKET, THROTTLE .....          | 1   |         |
| 22       | 95817-06025-00  | BOLT, FLANGE .....               | 1   |         |
| 23       | 95707-06500-00  | NUT, FLANGE .....                | 1   |         |
| 24       | 90465-08334-00  | CLAMP .....                      | 1   |         |
| 25       | 90601-200U1-00  | BAND .....                       | 1   |         |

# GOVERNOR

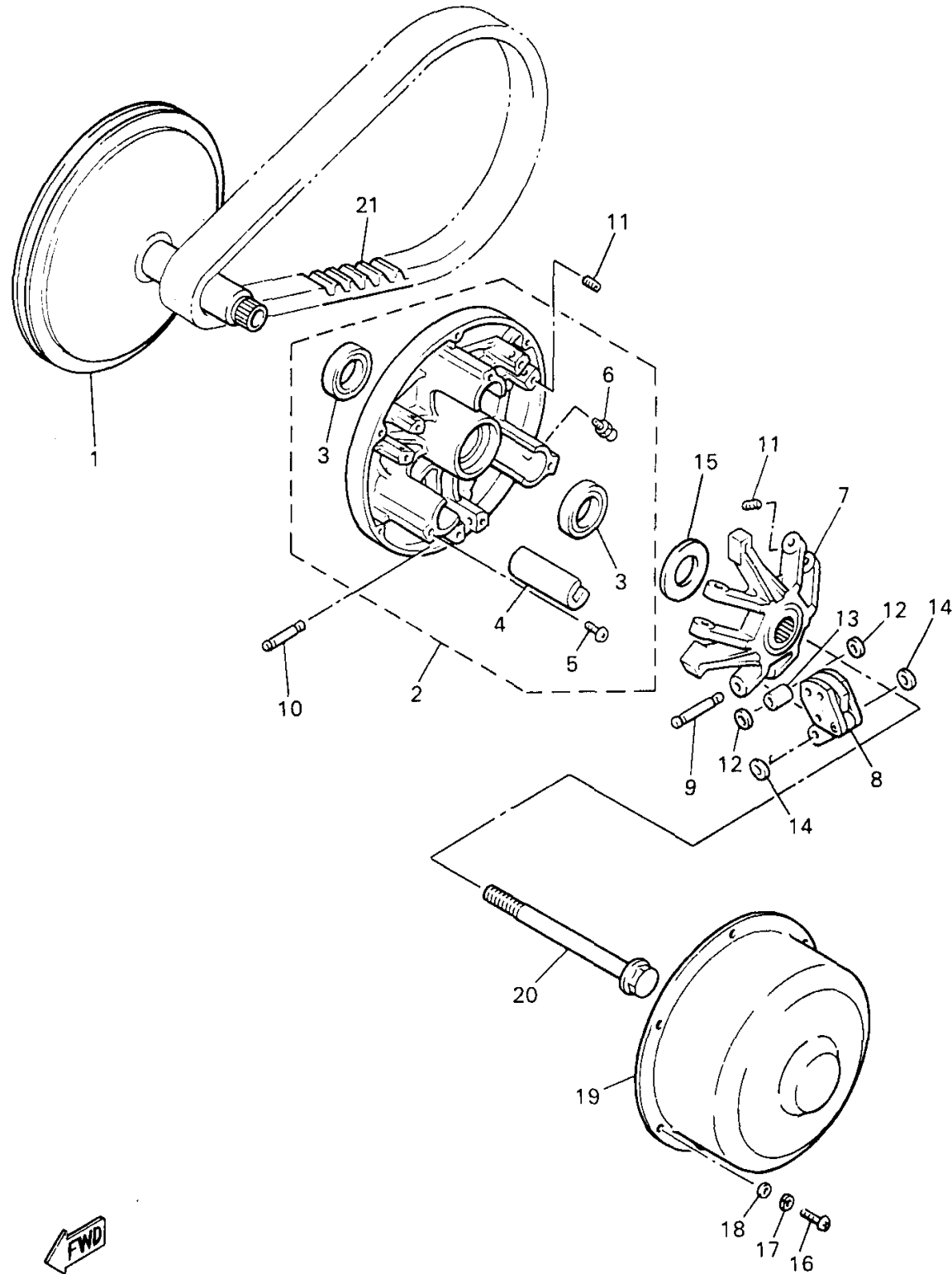


| Ref. No. | Part Number     | Description                | Qty | Remarks |
|----------|-----------------|----------------------------|-----|---------|
| 1        | J38-27951-00-00 | LEVER, SPEED .....         | 1   |         |
| 2        | 95317-06600-00  | NUT (95307-06600-00) ..... | 1   |         |
| 3        | 90386-08141-00  | BUSH .....                 | 2   |         |
| 4        | 90508-40678-00  | SPRING, TORSION .....      | 1   |         |
| 5        | J38-27959-00-00 | SCREW, ADJUSTING .....     | 1   |         |
| 6        | 95607-06200-00  | NUT, SELF U-FLANGE .....   | 1   |         |
| 7        | J38-27982-00-00 | BRACKET, WIRE .....        | 1   |         |
| 8        | 95817-08016-00  | BOLT, FLANGE .....         | 1   |         |
| 9        | J10-27912-00-00 | RETAINER .....             | 1   |         |
| 10       | 90387-21690-00  | COLLAR .....               | 1   |         |
| 11       | J10-27913-00-00 | WEIGHT .....               | 12  |         |
| 12       | J10-27911-00-00 | HOLDER .....               | 1   |         |
| 13       | J10-27927-00-00 | LIFTER .....               | 1   |         |
| 14       | 93342-22502-00  | . BEARING, THRUST .....    | 1   |         |
| 15       | 90201-20275-00  | WASHER, PLATE .....        | 1   |         |
| 16       | J38-27921-00-00 | SHAFT, GOVERNOR .....      | 1   |         |
| 17       | J10-27922-00-00 | FORK, GOVERNOR .....       | 1   |         |
| 18       | 91317-04008-00  | BOLT .....                 | 2   |         |
| 19       | 90202-08110-00  | WASHER, PLATE .....        | 2   |         |
| 20       | 99009-06600-00  | CIRCLIP .....              | 1   |         |
| 21       | 93109-08050-00  | OIL SEAL .....             | 1   |         |



JN3100-5190

# PRIMARY SHEAVE

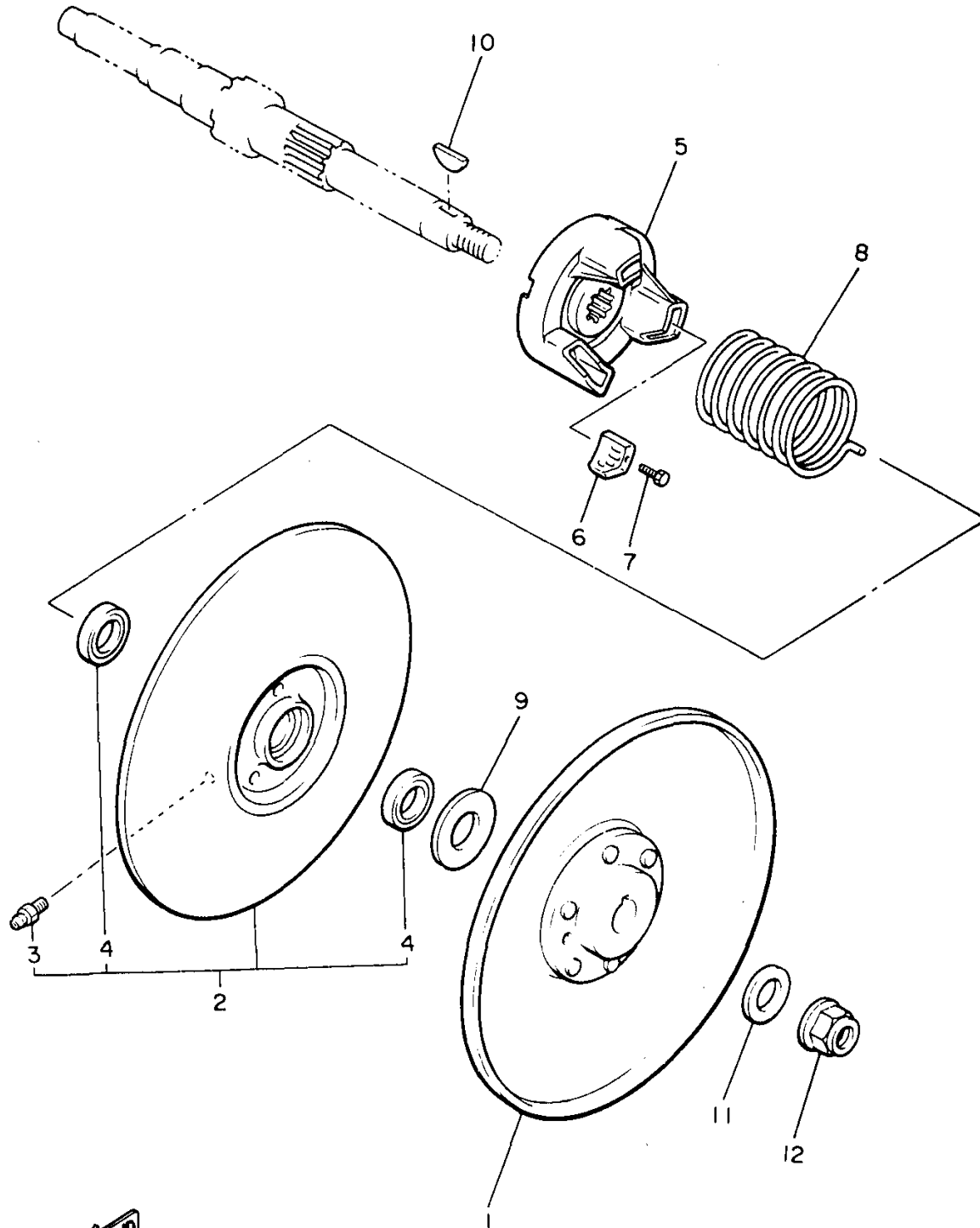


| Ref. No. | Part Number     | Description                  | Qty | Remarks |
|----------|-----------------|------------------------------|-----|---------|
| 1        | J38-46210-01-00 | PRIMARY FIXED SHEAVE COMP.   | 1   |         |
| 2        | J38-46220-00-00 | PRIMARY SLIDING SHEAVE COMP. | 1   |         |
| 3        | 93102-28348-00  | . OIL SEAL                   | 2   |         |
| 4        | J38-46253-00-00 | . SLIDER                     | 3   |         |
| 5        | 98907-05008-00  | . SCREW, BIND                | 3   |         |
| 6        | 93700-06M03-00  | . NIPPLE, GREASE             | 1   |         |
| 7        | J38-46251-00-00 | SPIDER                       | 1   |         |
| 8        | JN5-46205-00-00 | WEIGHT LINK ASSEMBLY         | 3   |         |
| 9        | J38-46236-00-00 | PIN, WEIGHT                  | 3   |         |
| 10       | J38-46237-00-00 | PIN, WEIGHT 2                | 3   |         |
| 11       | 90113-04050-00  | BOLT, SET                    | 12  |         |
| 12       | 90202-07164-00  | WASHER, PLATE                | 6   |         |
| 13       | 90387-076U6-00  | COLLAR                       | 3   |         |
| 14       | 90202-07186-00  | WASHER, PLATE                | 6   |         |
| 15       | 90201-286R9-00  | WASHER, PLATE                | 1   |         |
| 16       | 98507-05010-00  | SCREW, PAN HEAD              | 6   |         |
| 17       | 92907-05100-00  | WASHER, SPRING               | 6   |         |
| 18       | 92907-05600-00  | WASHER, PLATE                | 6   |         |
| 19       | J38-46231-00-00 | CAP                          | 1   |         |
| 20       | J38-46249-00-00 | BOLT                         | 1   |         |
| 21       | J55-G6241-00-00 | BELT                         | 1   |         |



JN3100-5200

## SECONDARY SHEAVE

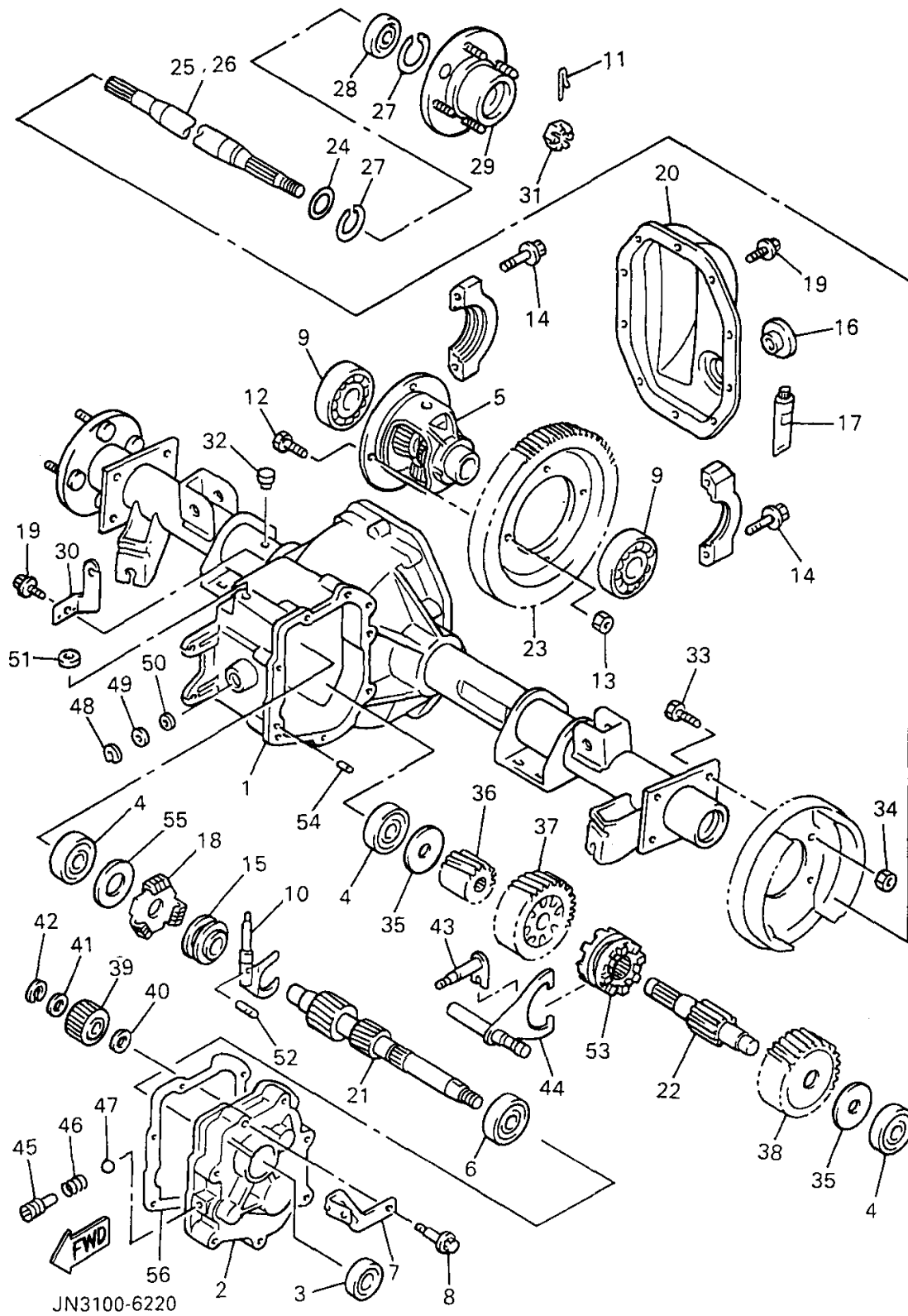


| Ref. No. | Part Number     | Description                            | Qty | Remarks |
|----------|-----------------|--|-----|---------|
| 1        | J55-G6260-00-00 | SECONDARY FIXED SHEAVE<br>COMP. ....   | 1   |         |
| 2        | JN3-G6270-00-00 | SECONDARY SLIDING SHEAVE<br>COMP. .... | 1   |         |
| 3        | 93700-06M03-00  | . NIPPLE, GREASE ....                  | 1   |         |
| 4        | 93102-20309-00  | . SEAL, OIL ....                       | 2   |         |
| 5        | JH2-46284-00-00 | SEAT, SECONDARY SPRING .               | 1   |         |
| 6        | JF7-17688-00-00 | SHOE, RAMP ....                        | 3   |         |
| 7        | 91317-04025-00  | BOLT ....                              | 3   |         |
| 8        | 90508-40842-00  | SPRING, TORSION ....                   | 1   |         |
| 9        | 90202-20130-00  | WASHER, PLAIN ....                     | 1   |         |
| 10       | 90280-05022-00  | KEY, WOODRUFF ....                     | 1   |         |
| 11       | 90201-12588-00  | WASHER, PLATE ....                     | 1   |         |
| 12       | 95617-12200-00  | NUT, SELF-LOCKING ....                 | 1   |         |



JN3300-5210

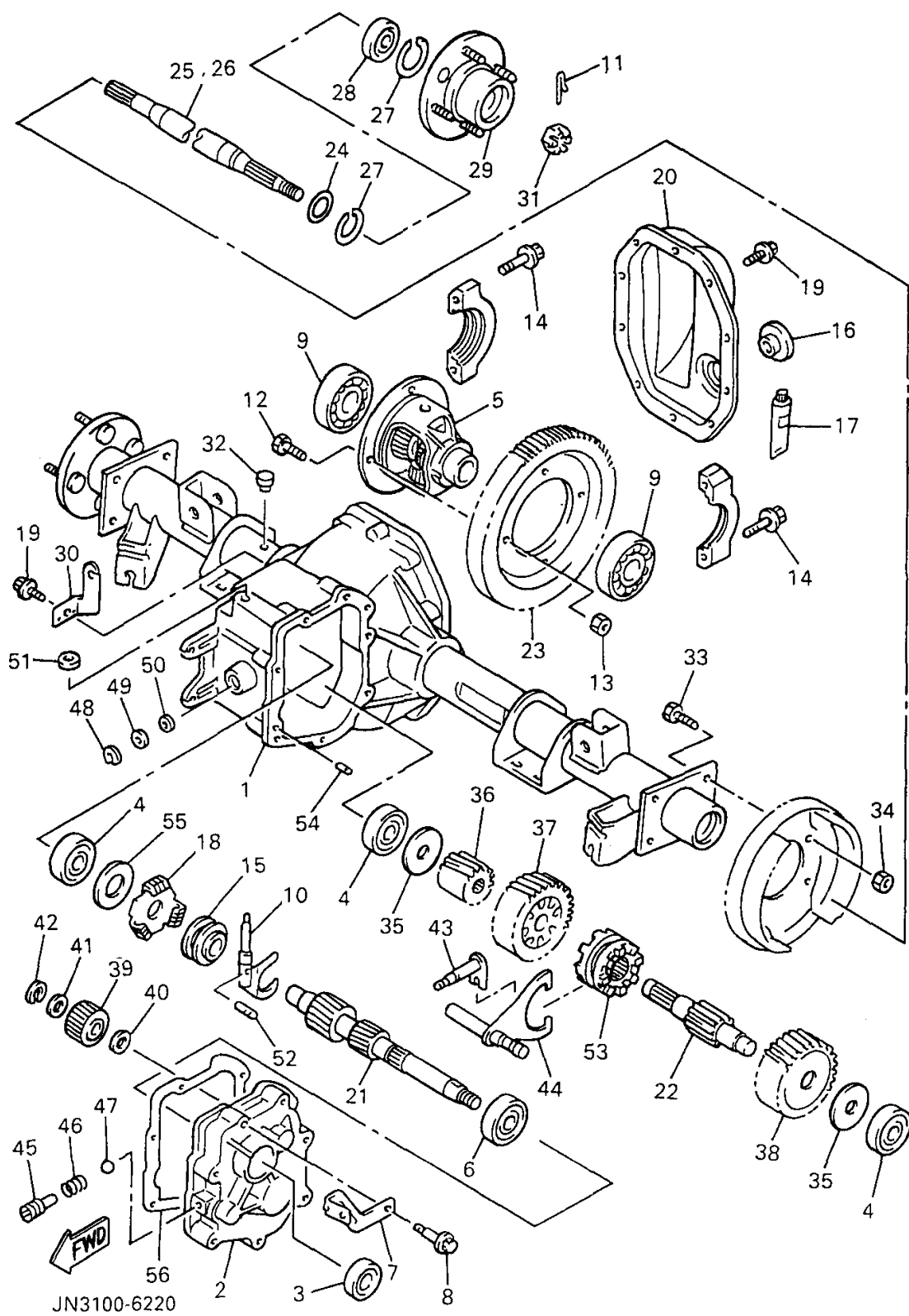
# TRANS AXLE



| Ref. No. | Part Number     | Description            | Qty | Remarks |
|----------|-----------------|------------------------|-----|---------|
| 1        | JN3-G6290-00-00 | CASE ASSEMBLY          | 1   |         |
| 2        | JN3-G6313-00-00 | COVER, TRANSMISSION    | 1   |         |
| 3        | 93102-25868-00  | SEAL, OIL              | 1   |         |
| 4        | 93306-303Y6-00  | BEARING                | 3   |         |
| 5        | JN3-G6410-00-00 | DIFFERENTIAL ASSEMBLY. | 1   |         |
| 6        | 93306-005Y4-00  | BEARING                | 1   |         |
| 7        | JN3-G6555-00-00 | BRACKET                | 1   |         |
| 8        | 90105-08859-00  | BOLT, FLANGE           | 7   |         |
| 9        | 93306-007Y0-00  | BEARING                | 2   |         |
| 10       | JN3-G633E-00-00 | BAR,                   | 1   |         |
| 11       | 91490-25030-00  | PIN, COTTER            | 2   |         |
| 12       | 90101-10854-00  | BOLT, HEX.             | 4   |         |
| 13       | 90170-10840-00  | NUT, HEX.              | 4   |         |
| 14       | 90105-10840-00  | BOLT, FLANGE           | 4   |         |
| 15       | JN3-G6368-00-00 | COLLAR, IDLER          | 1   |         |
| 16       | JN3-G6432-00-00 | STOPPER                | 1   |         |
| 17       | ACC-QUICK-GS-KT | SEALANT                | 1   |         |
| 18       | JN3-G6336-00-00 | PLATE, 1               | 1   |         |
| 19       | 90101-08856-00  | BOLT, HEX.             | 11  |         |
| 20       | JN3-G6314-00-00 | COVER, TRANSMISSION    | 1   |         |
| 21       | JN3-G6321-00-00 | SHAFT, INPUT           | 1   |         |
| 22       | JN3-G633G-00-00 | SHAFT                  | 1   |         |
| 23       | JN3-G6355-00-00 | GEAR, PRIMARY          | 1   |         |
| 24       | 93101-24822-00  | SEAL, OIL              | 2   |         |
| 25       | JN3-G6511-00-00 | SHAFT, RR. AXLE        | 1   |         |
| 26       | JN3-G6512-00-00 | SHAFT, RR. AXLE        | 1   |         |
| 27       | 93420-44805-00  | CIRCLIP                | 4   |         |
| 28       | 93306-004X5-00  | BEARING                | 2   |         |
| 29       | JN3-G6514-00-00 | HUB, RR. AXLE          | 2   |         |

CONTINUED ON NEXT FRAME ➤

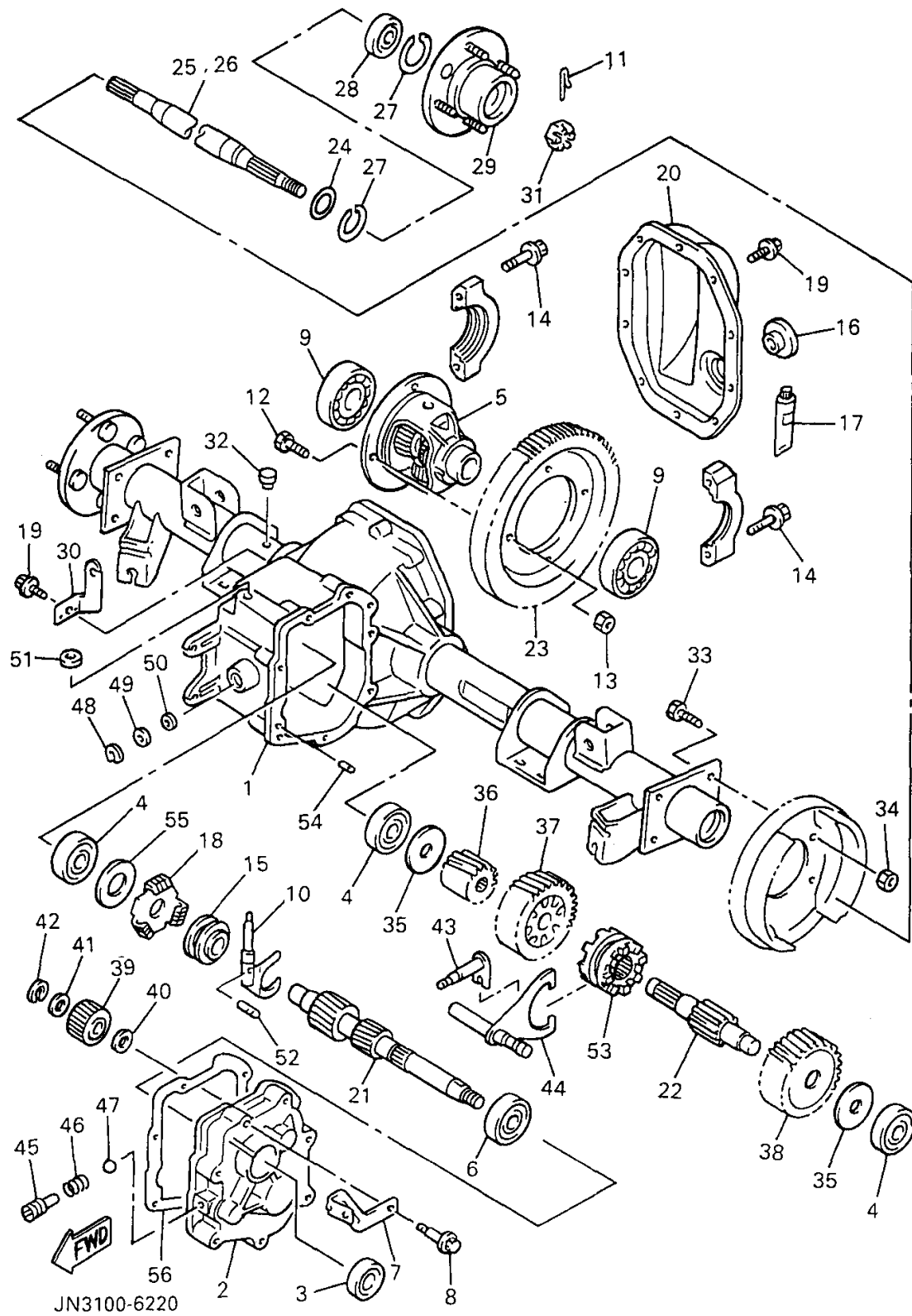
# TRANS AXLE



| Ref. No. | Part Number     | Description               | Qty | Remarks |
|----------|-----------------|---------------------------|-----|---------|
| 30       | JN3-G6556-00-00 | BRACKET, .....            | 1   |         |
| 31       | 90185-16833-00  | NUT, SELF-LOCKING .....   | 2   |         |
| 32       | JH7-G5619-00-00 | CAP .....                 | 1   |         |
| 33       | 90101-08855-00  | BOLT, HEX. ....           | 8   |         |
| 34       | 90170-08841-00  | NUT, HEX. ....            | 8   |         |
| 35       | 90201-178H8-00  | WASHER, PLAIN .....       | 2   |         |
| 36       | JN3-G6316-00-00 | GEAR, PINION .....        | 1   |         |
| 37       | JN3-G6326-00-00 | GEAR, WHEEL .....         | 1   |         |
| 38       | JN3-G6327-00-00 | GEAR, WHEEL .....         | 1   |         |
| 39       | JN3-G6356-00-00 | GEAR, IDLER .....         | 1   |         |
| 40       | 90201-208H9-00  | WASHER, PLAIN .....       | 1   |         |
| 41       | 90201-208J0-00  | WASHER, PLAIN .....       | 1   |         |
| 42       | 93440-20813-00  | CIRCLIP .....             | 1   |         |
| 43       | JN3-G638A-00-00 | BAR, SHIFT .....          | 1   |         |
| 44       | JN3-G638E-00-00 | BAR, SHIFT .....          | 1   |         |
| 45       | 90113-08803-00  | BOLT, SET .....           | 1   |         |
| 46       | 90501-10852-00  | SPRING, COMPRESSION ..... | 1   |         |
| 47       | 93500-06826-00  | BALL .....                | 1   |         |
| 48       | 93410-12822-00  | CIRCLIP .....             | 1   |         |
| 49       | 90202-12807-00  | WASHER, PLAIN .....       | 1   |         |
| 50       | 93104-11829-00  | SEAL, OIL .....           | 1   |         |
| 51       | 93104-09828-00  | SEAL, OIL .....           | 1   |         |
| 52       | JN3-G6249-00-00 | BOLT .....                | 1   |         |
| 53       | JN3-G6153-00-00 | COLLAR, GUIDE .....       | 1   |         |
| 54       | 93606-10842-00  | PIN, DOWEL .....          | 2   |         |
| 55       | JN3-G6344-00-00 | SHIM .....                | 1   | UR      |
|          | JN3-G6344-10-00 | SHIM .....                | 1   | UR      |
|          | JN3-G6344-20-00 | SHIM .....                | 1   | UR      |
|          | JN3-G6344-30-00 | SHIM .....                | 1   | UR UN   |

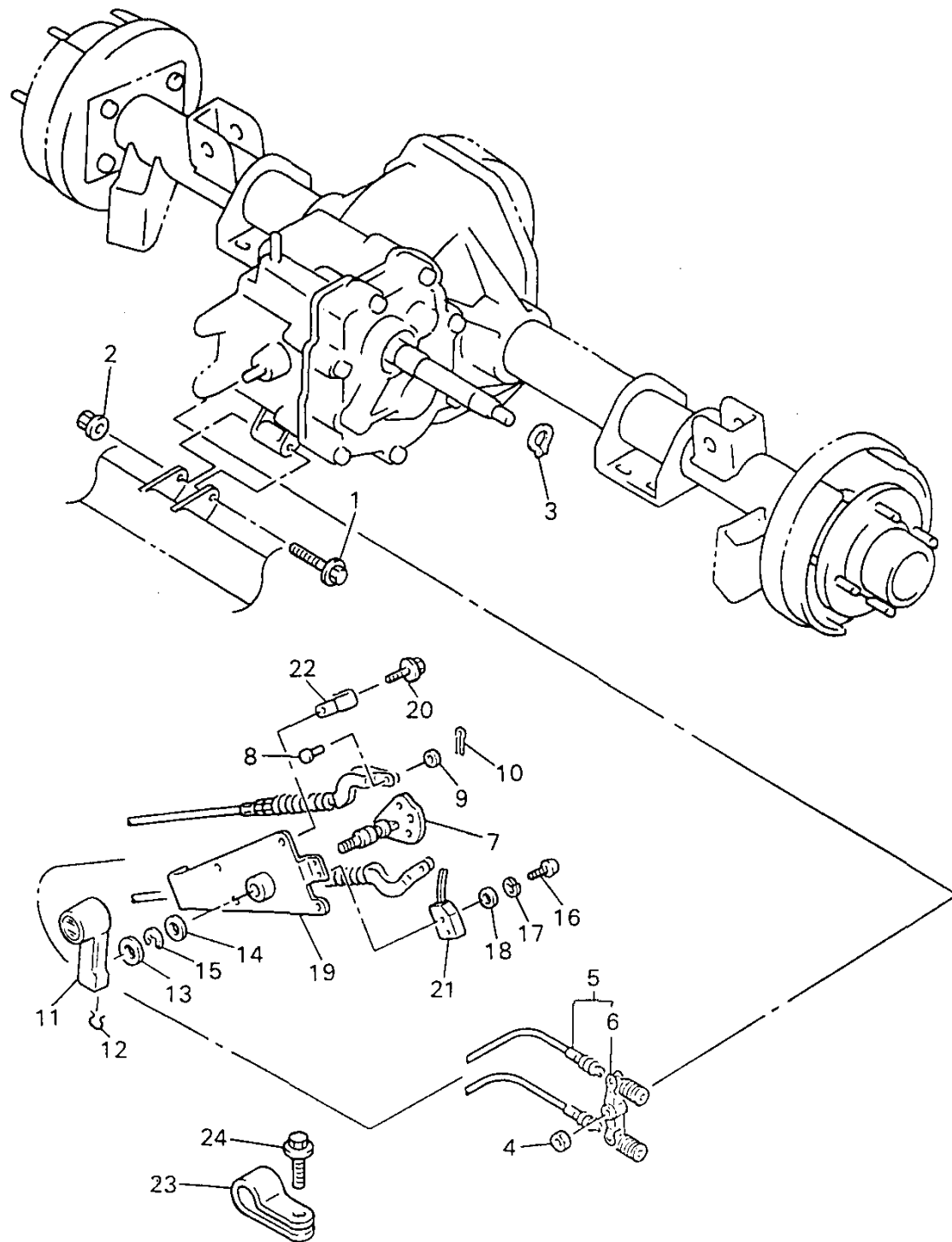
CONTINUED ON NEXT FRAME ➤

# TRANS AXLE



| Ref. No. | Part Number     | Description  | Qty | Remarks |
|----------|-----------------|--------------|-----|---------|
| 55       | JN3-G6344-40-00 | SHIM .....   | 1   | UR UN   |
|          | JN3-G6344-50-00 | SHIM .....   | 1   | UR UN   |
|          | JN3-G6344-60-00 | SHIM .....   | 1   | UR UN   |
|          | JN3-G6344-70-00 | SHIM .....   | 1   | UR UN   |
|          | JN3-G6344-80-00 | SHIM .....   | 1   | UR UN   |
| 56       | JN3-G6319-00-00 | GASKET ..... | 1   |         |

# SHIFTING LEVER

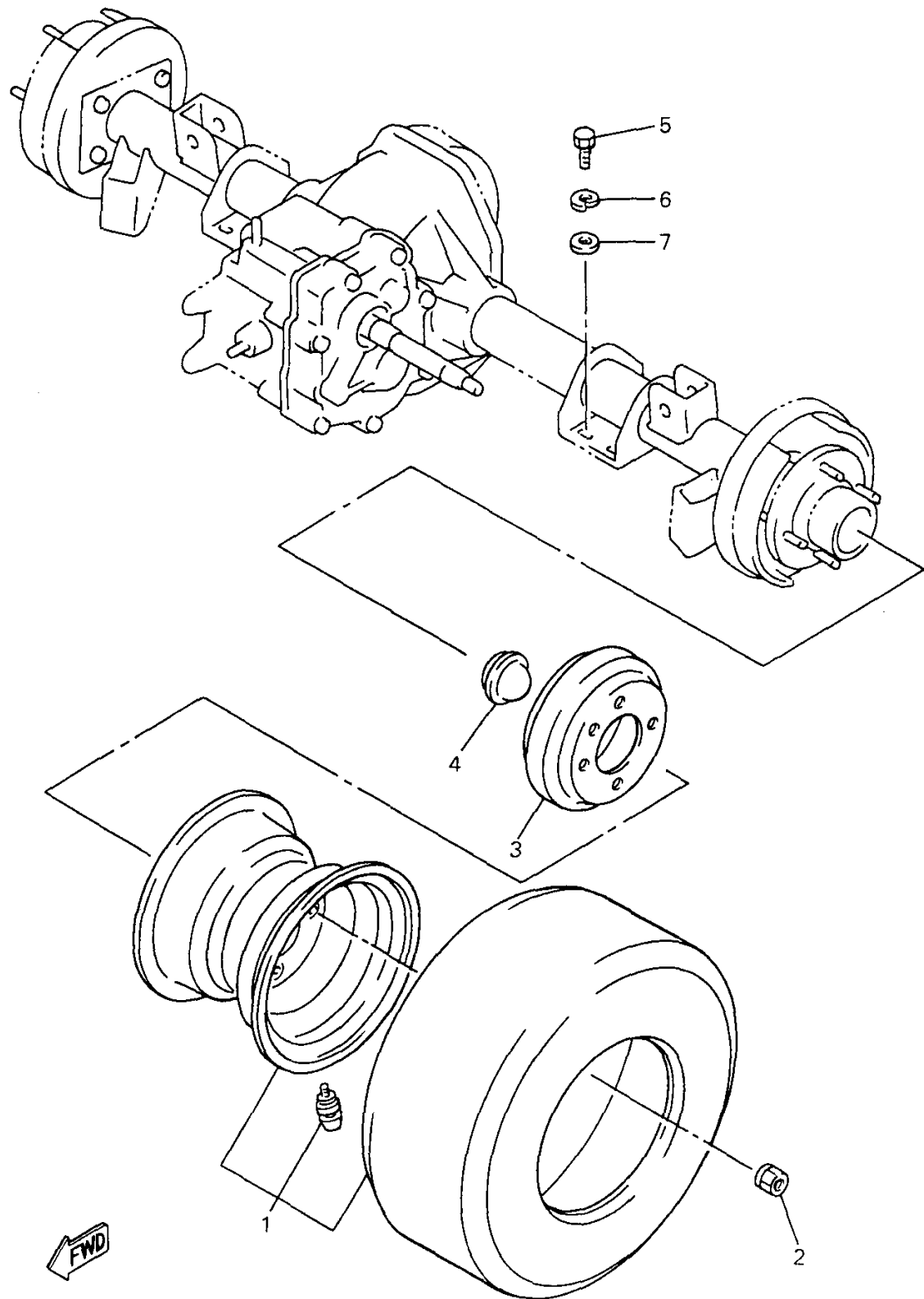


| Ref. No. | Part Number     | Description           | Qty | Remarks |
|----------|-----------------|-----------------------|-----|---------|
| 1        | 95817-08075-00  | BOLT, FLANGE .....    | 1   |         |
| 2        | 95707-08500-00  | NUT, FLANGE .....     | 1   |         |
| 3        | 93410-25017-00  | CIRCLIP .....         | 1   |         |
| 4        | 95607-08100-00  | NUT, U .....          | 1   |         |
| 5        | JN3-G8330-00-00 | CABLE, SHIFT .....    | 1   |         |
| 6        | J55-G6383-00-00 | . LEVER, SHIFT .....  | 1   |         |
| 7        | JF2-46382-00-00 | LEVER, SHIFT .....    | 1   |         |
| 8        | 91702-06014-00  | PIN .....             | 2   |         |
| 9        | 92907-06600-00  | WASHER, PLATE .....   | 2   |         |
| 10       | 91490-20025-00  | PIN, SPLIT .....      | 2   |         |
| 11       | JN3-G6381-00-00 | KNOB, SHIFT .....     | 1   |         |
| 12       | JN3-G6376-00-00 | SPRING SET .....      | 1   |         |
| 13       | 90201-201L9-00  | WASHER, PLAIN .....   | 1   |         |
| 14       | 90201-19551-00  | WASHER, PLAIN .....   | 1   |         |
| 15       | 99009-19400-00  | CIRCLIP .....         | 1   |         |
| 16       | 98507-04016-00  | SCREW, PAN HEAD ..... | 2   |         |
| 17       | 92907-04100-00  | WASHER, SPRING .....  | 2   |         |
| 18       | 92907-04600-00  | WASHER .....          | 2   |         |
| 19       | JN3-G6372-00-00 | BRACKET, SHIFT .....  | 1   |         |
| 20       | 95817-06016-00  | BOLT, FLANGE .....    | 4   |         |
| 21       | JN3-82617-00-00 | SWITCH .....          | 1   |         |
| 22       | 90465-06038-00  | CLAMP .....           | 1   |         |
| 23       | 90461-08133-00  | CLAMP .....           | 1   |         |
| 24       | 95807-06016-00  | BOLT, FLANGE .....    | 1   |         |



JN3100-6230

# REAR WHEEL

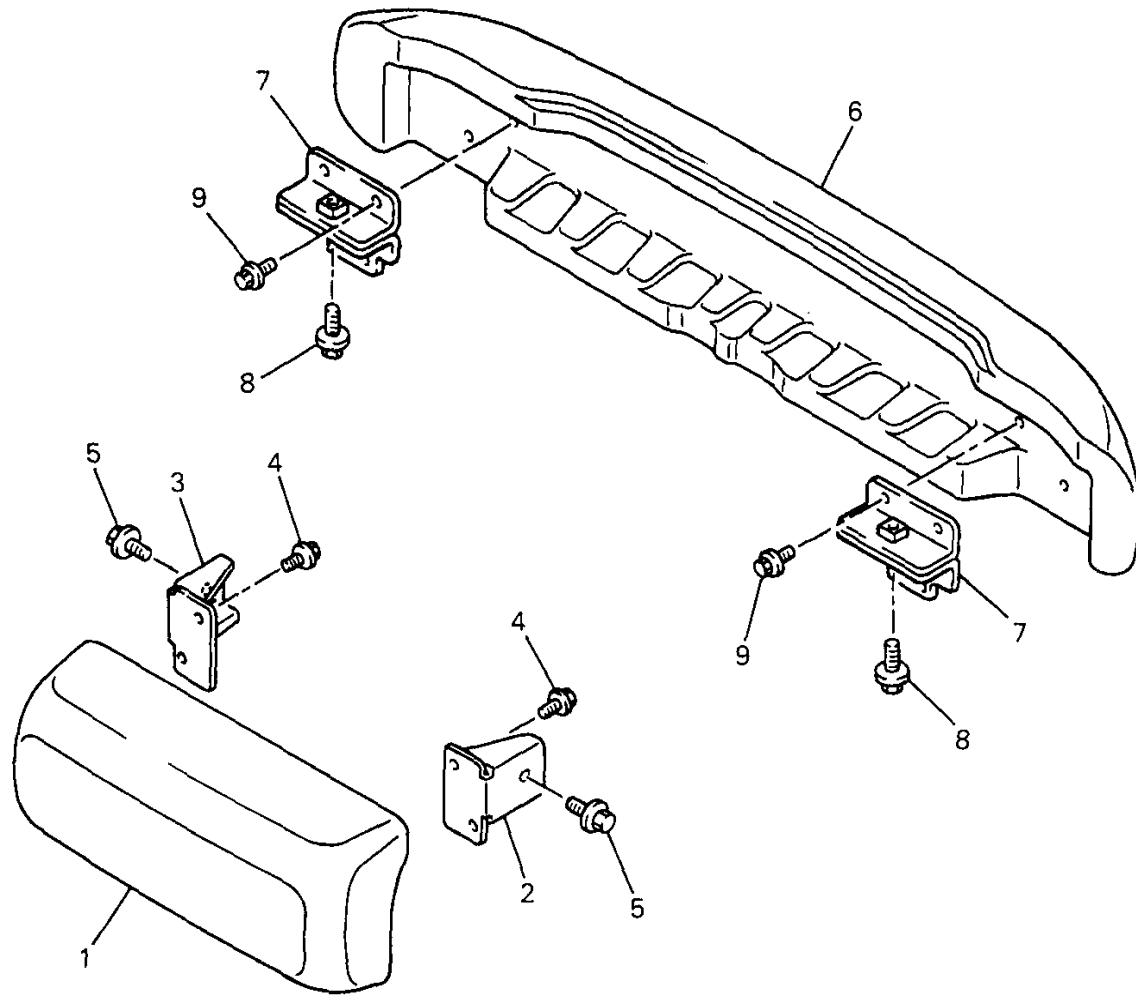


| Ref. No. | Part Number | Description | Qty | Remarks |
|----------|-------------|-------------|-----|---------|
|----------|-------------|-------------|-----|---------|

|   |                 |                       |   |  |
|---|-----------------|-----------------------|---|--|
| 1 | UNA-VAILA-BL-EI | 0 0 .....             |   |  |
| 2 | 90179-12262-00  | NUT .....             | 8 |  |
| 3 | J55-G6521-00-00 | DRUM .....            | 2 |  |
| 4 | J17-25118-00-00 | COVER, HUB DUST ..... | 2 |  |
| 5 | 97017-10020-00  | BOLT .....            | 8 |  |
| 6 | 92907-10100-00  | WASHER, SPRING .....  | 8 |  |
| 7 | 92907-10600-00  | WASHER, PLATE .....   | 8 |  |

JN3100-6240

# BUMPER



| Ref. No. | Part Number     | Description             | Qty | Remarks |
|----------|-----------------|-------------------------|-----|---------|
| 1        | JN3-K7510-00-00 | FRONT BUMPER COMP. .... | 1   |         |
| 2        | JN3-K8164-00-00 | STAY, FR. BUMPER .....  | 1   |         |
| 3        | JN3-K8165-00-00 | STAY, FR. BUMPER .....  | 1   |         |
| 4        | 95817-06016-00  | BOLT, FLANGE .....      | 4   |         |
| 5        | 95817-08020-00  | BOLT, FLANGE .....      | 2   |         |
| 6        | JN3-K7540-00-00 | REAR BUMPER .....       | 1   |         |
| 7        | JN3-K8174-00-00 | STAY, RR. BUMPER .....  | 2   |         |
| 8        | 95817-10020-00  | BOLT, FLANGE .....      | 2   |         |
| 9        | 95817-06016-00  | BOLT, FLANGE .....      | 4   |         |

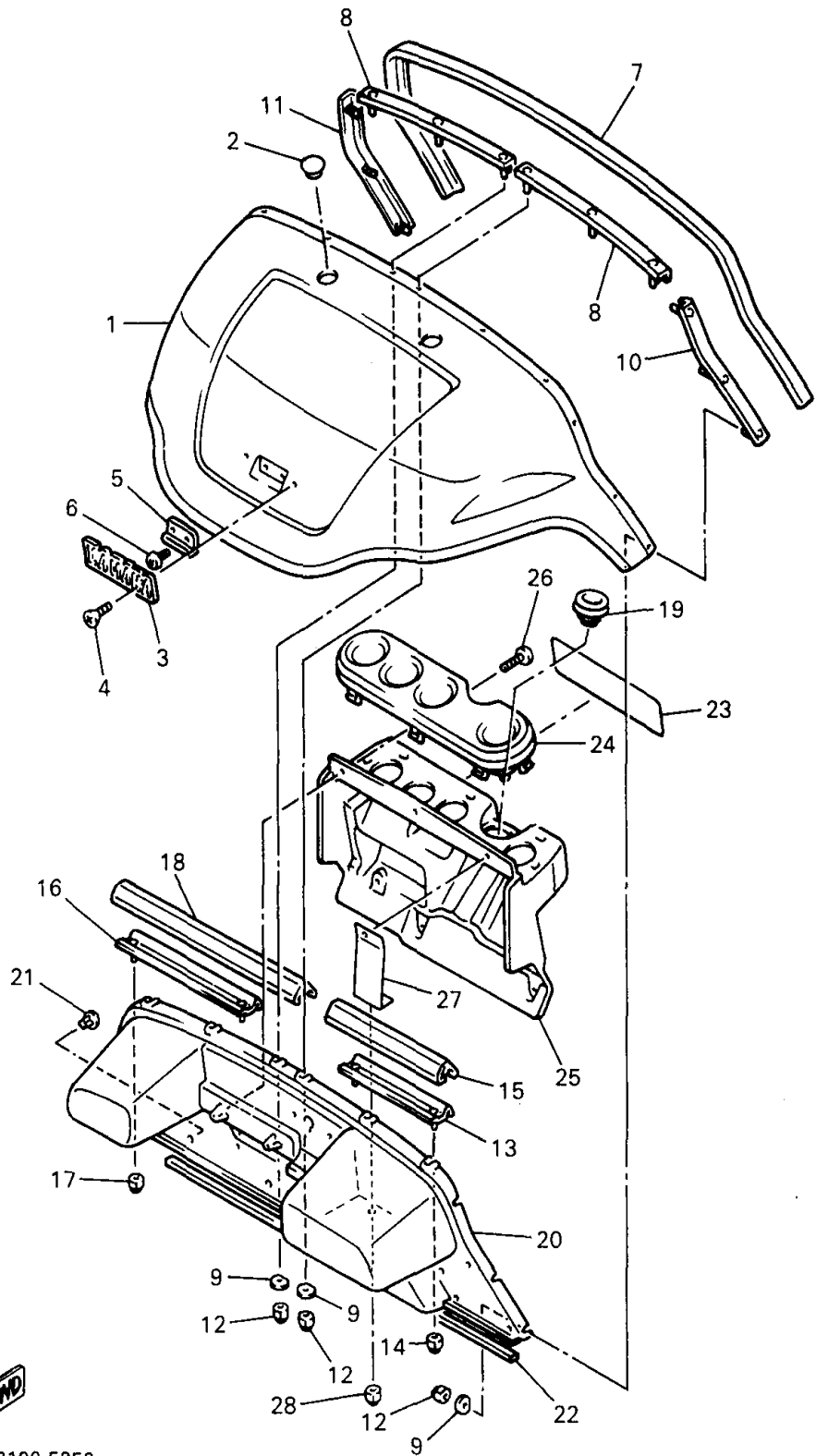


JN3100-5240

# BODY

| Ref. No. | Part Number     | Description               | Qty | Remarks           |
|----------|-----------------|---------------------------|-----|-------------------|
| 1        | JN3-K8115-00-00 | COWL, FRONT .....         | 1   | STD (IVORY) (09E) |
|          | JN3-K8115-10-00 | COWL, FRONT .....         | 1   | UR (RED) (391)    |
|          | JN3-K8115-20-00 | COWL, FRONT .....         | 1   | UR (GRAY) (483)   |
|          | JN3-K8115-30-00 | COWL, FRONT .....         | 1   | UR (GREEN) (519)  |
| 2        | JN3-K818E-00-00 | CAP, PROTECTOR .....      | 2   |                   |
| 3        | J38-24161-00-00 | EMBLEM 1 .....            | 1   |                   |
| 4        | 90162-04002-00  | SCREW, OVAL C .....       | 2   |                   |
| 5        | JF2-K811G-00-00 | BOLT, COWL FITTING .....  | 1   |                   |
| 6        | 98980-06016-00  | SCREW, BINDING .....      | 2   |                   |
| 7        | JF2-K811V-00-00 | PROTECTOR, .....          | 1   |                   |
| 8        | JF2-K8261-00-00 | PLATE, BODY PROTECTOR ..  | 2   |                   |
| 9        | JN3-K8117-00-00 | PLATE, .....              | 12  |                   |
| 10       | JF2-K8262-00-00 | PLATE, BODY PROTECTOR ..  | 1   |                   |
| 11       | JF2-K8263-00-00 | PLATE, BODY PROTECTOR ..  | 1   |                   |
| 12       | 95380-06800-00  | NUT .....                 | 12  |                   |
| 13       | JN3-K8264-00-00 | PLATE, BODY PROTECT 4 ... | 1   |                   |
| 14       | 95607-06200-00  | NUT, SELF U-FLANGE .....  | 2   |                   |
| 15       | JN3-K811W-00-00 | PROTECTOR 2 .....         | 1   |                   |
| 16       | JN3-K8265-00-00 | PLATE, BODY PROTECT 5 ... | 1   |                   |
| 17       | 95607-06200-00  | NUT, SELF U-FLANGE .....  | 2   |                   |
| 18       | JN3-K811X-00-00 | PROTECTOR 3 .....         | 1   |                   |
| 19       | JN3-K8273-00-00 | COVER, HOLE .....         | 1   |                   |
| 20       | JF2-K8114-02-00 | PANEL, FRONT .....        | 1   |                   |
| 21       | 90269-08069-00  | RIVET .....               | 3   |                   |
| 22       | JN3-K815G-00-00 | SEAL, FRONT STORAGE ..... | 1   |                   |
| 23       | JN3-K7768-00-00 | LABEL, WARNING .....      | 1   |                   |
| 24       | JN3-K835E-00-00 | HOLDER, BEVERAGE .....    | 1   |                   |
| 25       | JN3-K835G-00-00 | HOUSING, HOLDER .....     | 1   |                   |
| 26       | 97707-60130-00  | SCREW, PAN HEAD .....     | 6   |                   |

CONTINUED ON NEXT FRAME ➤

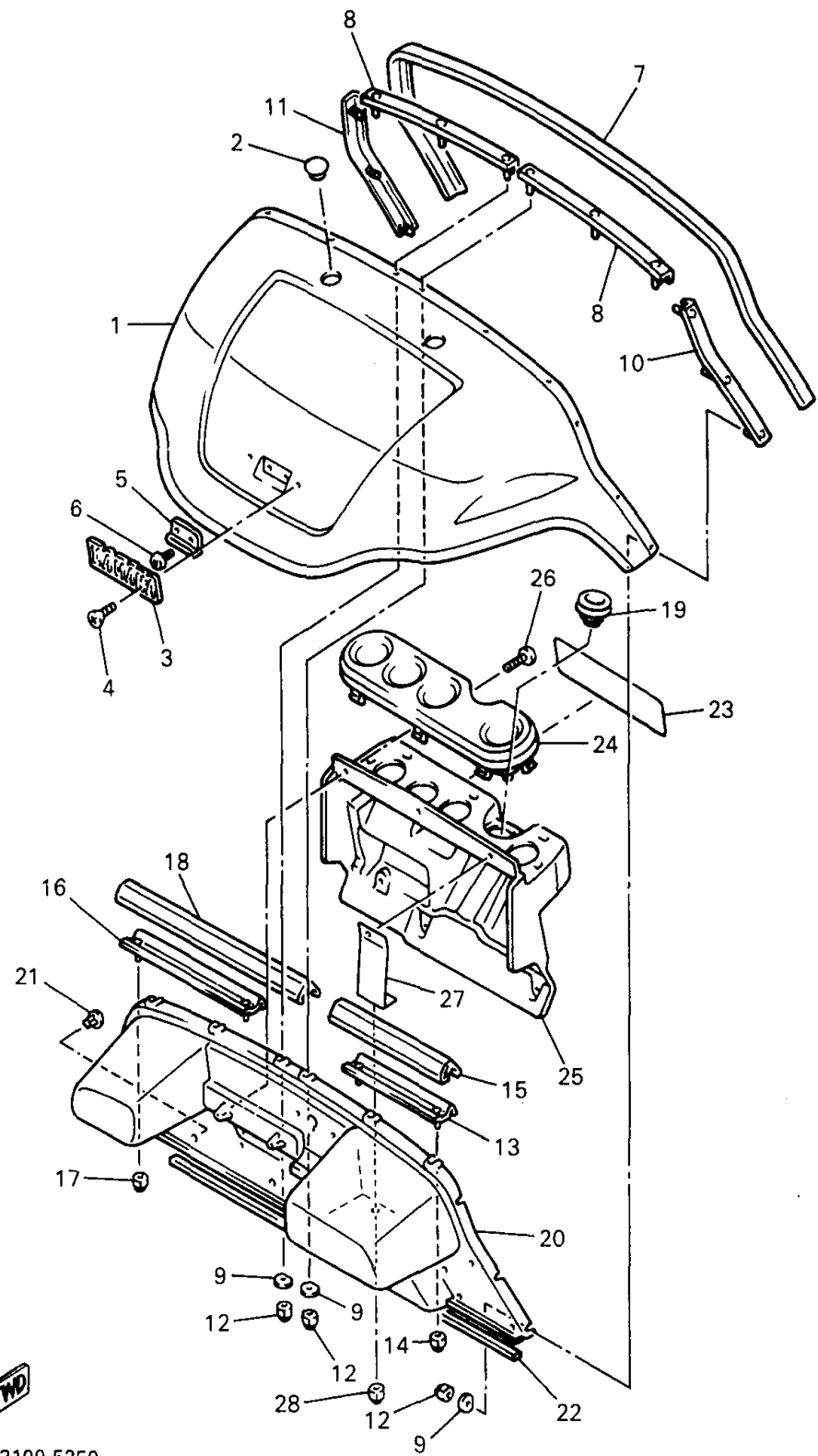


JN3100-5250



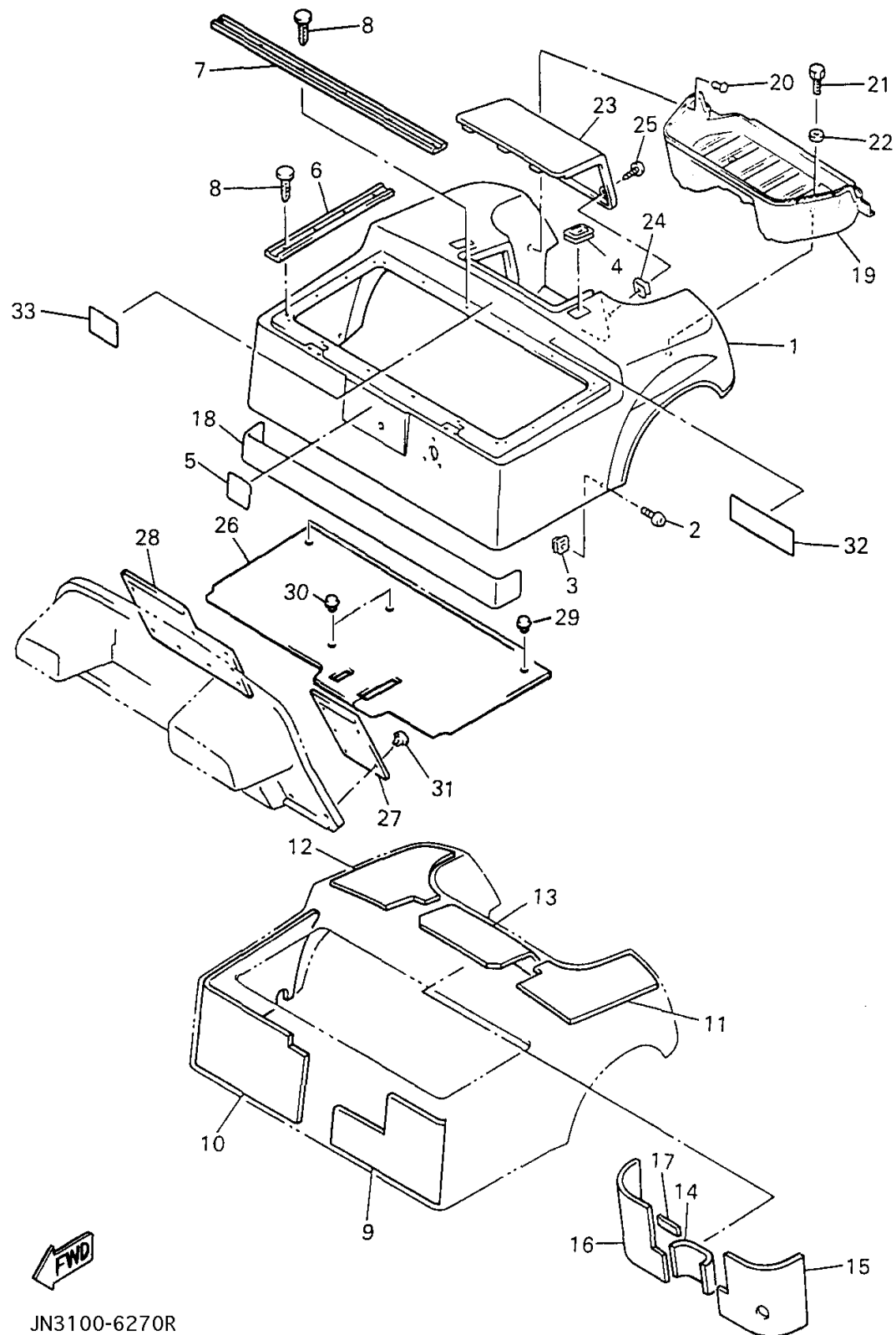
# BODY

| Ref. No. | Part Number     | Description              | Qty | Remarks |
|----------|-----------------|--------------------------|-----|---------|
| 27       | JN3-K8182-00-00 | PLATE 2 .....            | 1   |         |
| 28       | 95607-06200-00  | NUT, SELF U-FLANGE ..... | 1   |         |



JN3100-5250

# BODY 2



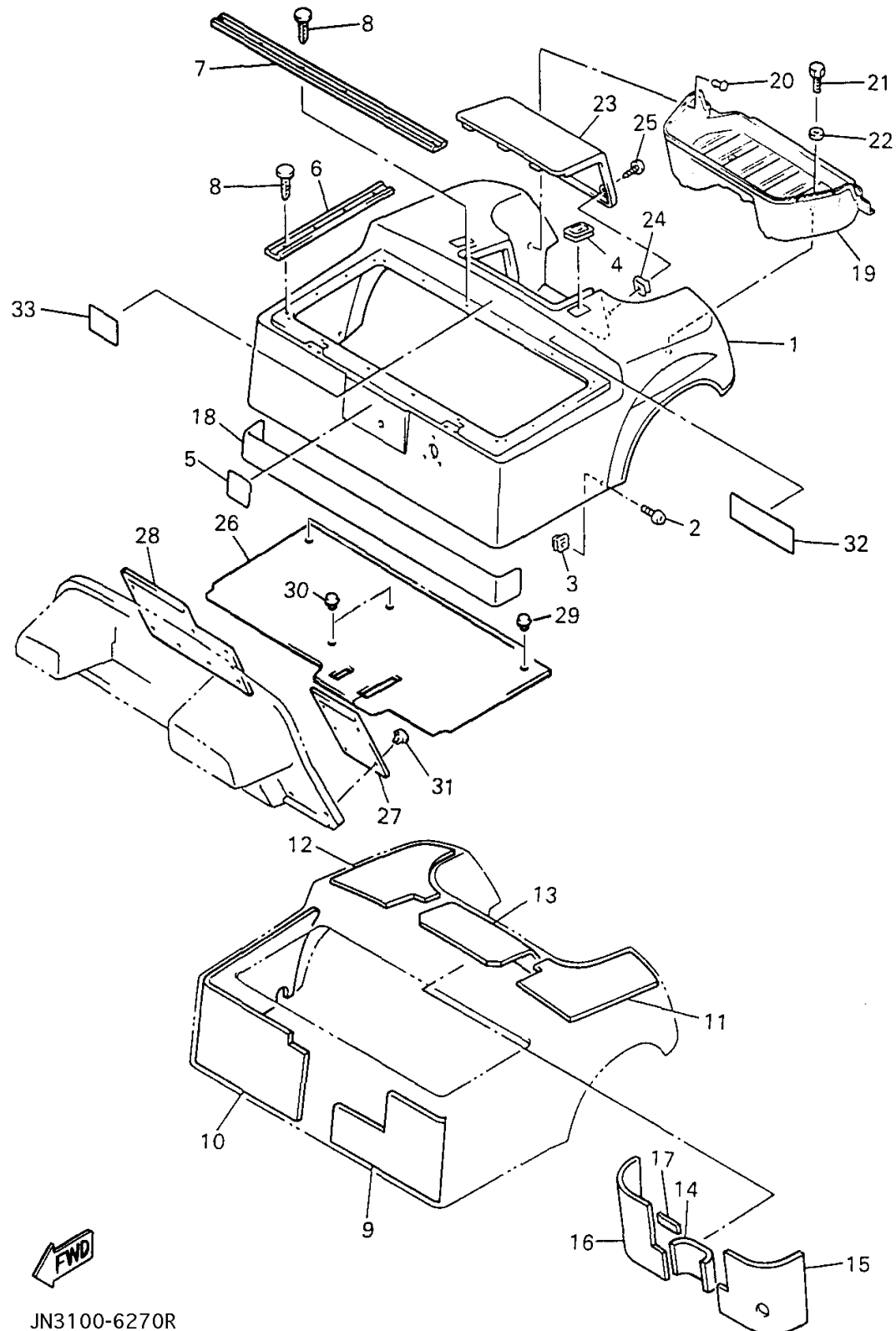
| Ref. No. | Part Number     | Description                     | Qty | Remarks           |
|----------|-----------------|---------------------------------|-----|-------------------|
| 1        | JN3-K8142-00-00 | PANEL, REAR BODY .....          | 1   | STD (IVORY) (09E) |
|          | JN3-K8142-10-00 | PANEL, REAR BODY .....          | 1   | UR (RED) (391)    |
|          | JN3-K8142-20-00 | PANEL, REAR BODY .....          | 1   | UR (GRAY) (483)   |
|          | JN3-K8142-30-00 | PANEL, REAR BODY .....          | 1   | UR (GREEN) (519)  |
| 2        | 90110-06200-00  | BOLT, HEXAGON SOCKET HEAD ..... | 2   |                   |
| 3        | 90183-06811-00  | NUT, SPRING .....               | 2   |                   |
| 4        | JN3-K8363-00-00 | PROTECTOR .....                 | 2   |                   |
| 5        | JN3-K7741-00-00 | INDICATOR, .....                | 1   |                   |
| 6        | JN3-K8425-00-00 | SEAL, SEAT .....                | 2   |                   |
| 7        | JN3-K842A-00-00 | SEAL, SEAT .....                | 2   |                   |
| 8        | 90338-05834-00  | PLUG .....                      | 20  |                   |
| 9        | JN3-K8251-00-00 | PAD, SILENCER 1 .....           | 1   |                   |
| 10       | JN3-K8252-00-00 | PAD, SILENCER 2 .....           | 1   |                   |
| 11       | JN3-K8253-00-00 | PAD, SILENCER 3 .....           | 1   |                   |
| 12       | JN3-K8254-00-00 | PAD, SILENCER 4 .....           | 1   |                   |
| 13       | JN3-K8255-00-00 | PAD, SILENCER 5 .....           | 1   |                   |
| 14       | JN3-K8256-00-00 | PAD, SILENCER 6 .....           | 1   |                   |
| 15       | JN3-K8258-00-00 | PAD, SILENCER 8 .....           | 1   |                   |
| 16       | JN3-K8259-00-00 | PAD, SILENCER 9 .....           | 1   |                   |
| 17       | JN3-K825E-00-00 | PAD, SILENCER 1 .....           | 1   |                   |
| 18       | JN3-K814N-00-00 | PLATE, ORNAMENT .....           | 1   | AP                |
| 19       | JF2-K8237-00-00 | COVER, REAR FLOOR .....         | 1   |                   |
| 20       | 90269-08069-00  | RIVET .....                     | 7   |                   |
| 21       | 90119-06823-00  | BOLT, HEX. W/WASHER .....       | 2   |                   |
| 22       | 90201-068G7-00  | WASHER, PLAIN .....             | 2   |                   |
| 23       | JN3-K8151-00-00 | PANEL, INSPECTION .....         | 1   |                   |
| 24       | 90183-06035-00  | NUT, SPRING .....               | 2   |                   |
| 25       | 97707-50012-00  | SCREW, TAPPING .....            | 2   |                   |

CONTINUED ON NEXT FRAME ►



JN3100-6270R

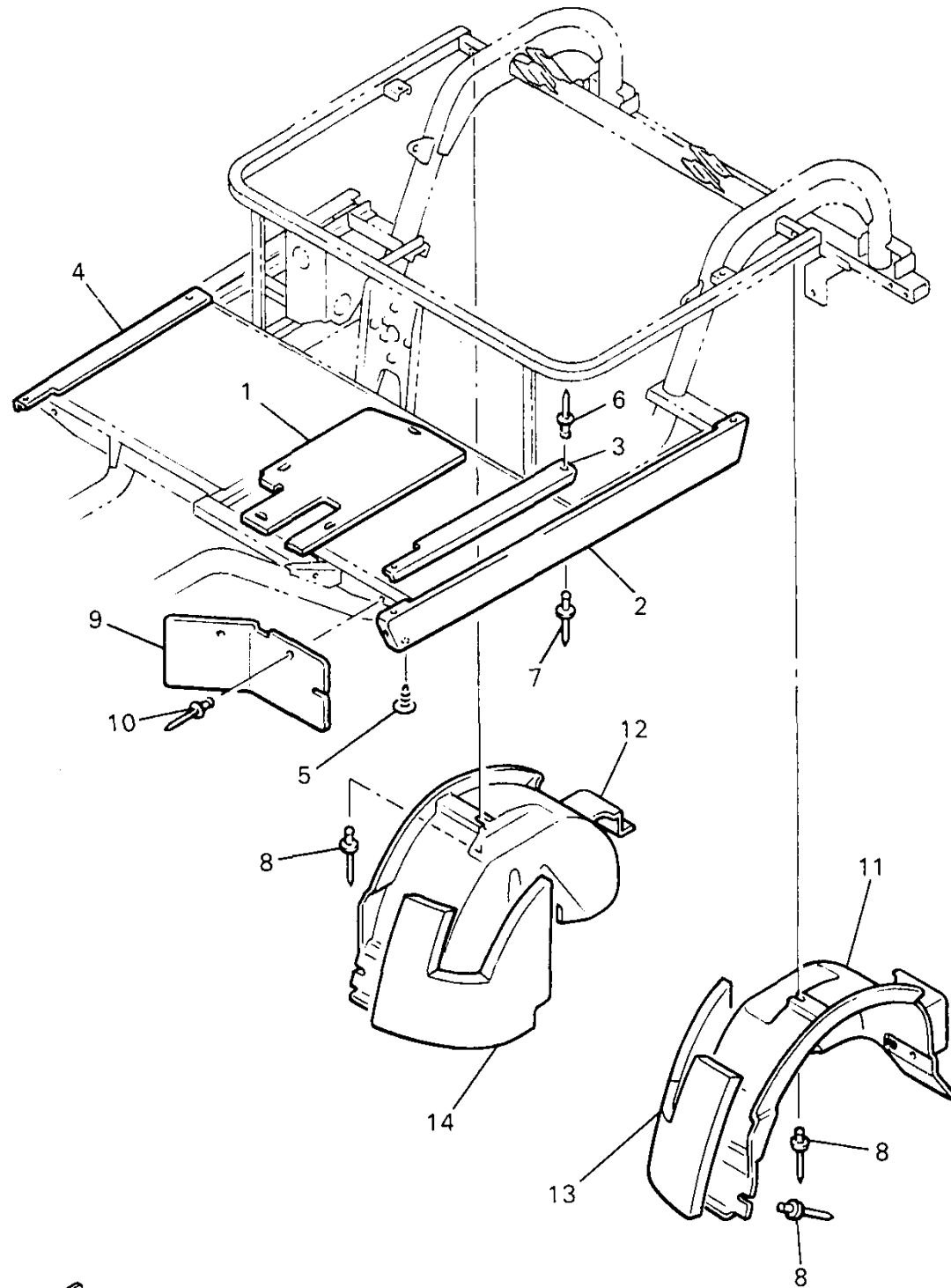
## BODY 2



JN3100-6270R

| Ref. No. | Part Number     | Description                            | Qty | Remarks |
|----------|-----------------|--|-----|---------|
| 26       | JF2-K8233-11-00 | MAT, MAIN FLOOR 3<br>(JF2-K8233-10-00) | 1   |         |
| 27       | JF2-K8231-10-00 | MAT, MAIN FLOOR 1                      | 1   |         |
| 28       | JF2-K8232-10-00 | MAT, MAIN FLOOR 2                      | 1   |         |
| 29       | 90269-08813-00  | RIVET                                  | 2   |         |
| 30       | 90269-07809-00  | RIVET                                  | 2   |         |
| 31       | 90267-63047-00  | RIVET, BLIND                           | 13  |         |
| 32       | JN3-K8297-00-00 | PLATE, CAUTION                         | 1   |         |
| 33       | JN3-K8299-00-00 | PLATE, CAUTION                         | 1   |         |

# BODY FITTING



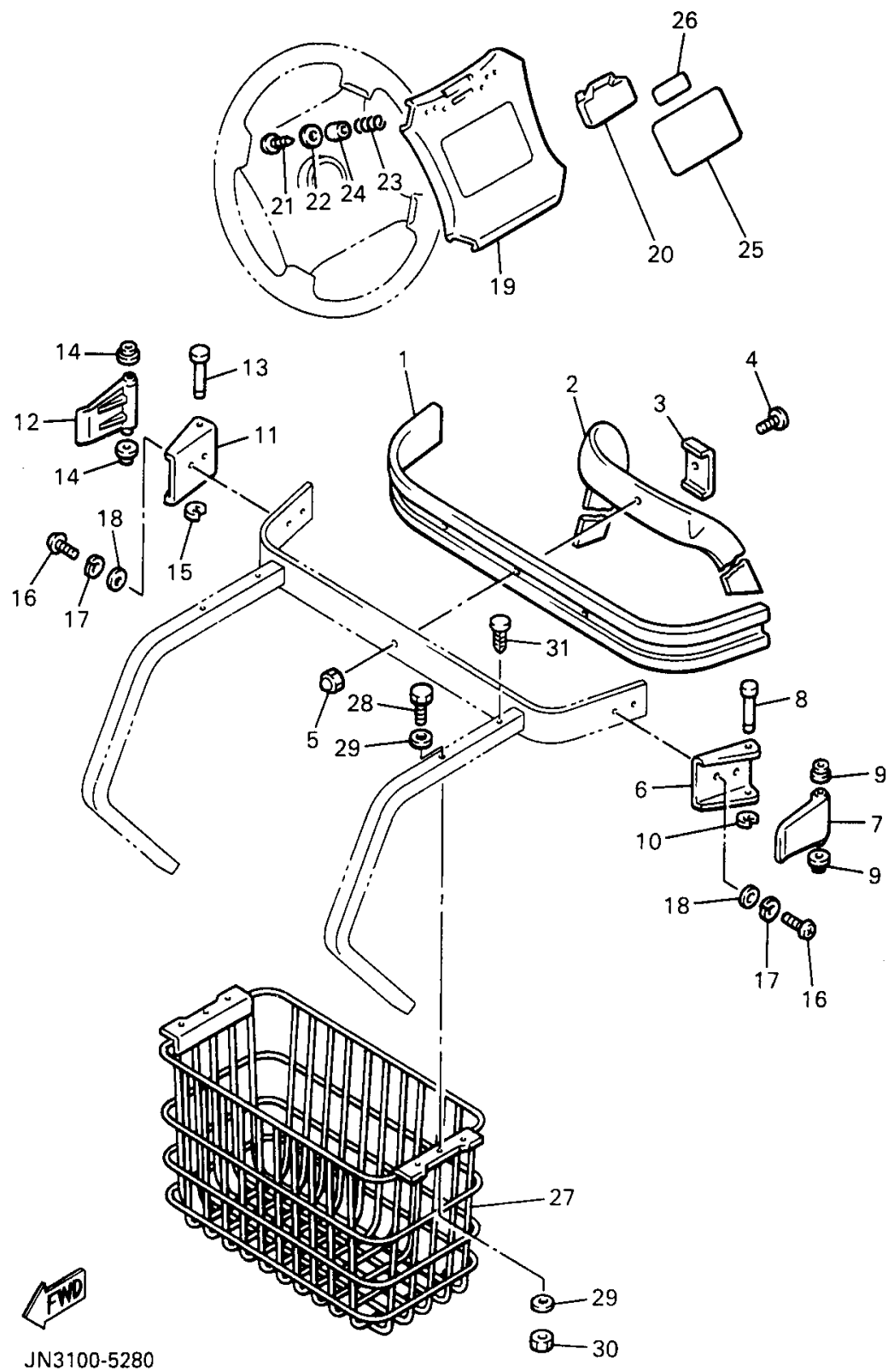
| Ref. No. | Part Number     | Description                   | Qty | Remarks |
|----------|-----------------|-------------------------------|-----|---------|
| 1        | JF2-K8271-00-00 | SERVICE LID, PEDAL            | 1   |         |
| 2        | JF2-K818A-00-00 | PROTECTOR, SIDE               | 2   |         |
| 3        | JF2-K8215-10-00 | PLATE, SIDE TRIM              | 1   |         |
| 4        | JF2-K821F-10-00 | PLATE, SIDE TRIM              | 1   |         |
| 5        | 90338-05829-00  | PLUG                          | 6   |         |
| 6        | 90267-48154-00  | RIVET, BLIND                  | 4   |         |
| 7        | 90267-48831-00  | RIVET, BLIND (90267-48101-00) | 4   |         |
| 8        | 90267-48086-00  | RIVET, BLIND                  | 4   |         |
| 9        | JF2-K8187-00-00 | FLAP, FRONT FENDER (L.H)      | 2   |         |
| 10       | 90267-48831-00  | RIVET, BLIND (90267-48101-00) | 4   |         |
| 11       | JF2-K8191-00-00 | PANEL, REAR FENDER            | 1   |         |
| 12       | JF2-K8192-00-00 | PANEL, REAR FENDER            | 1   |         |
| 13       | JN3-K825F-00-00 | PAD, SILENCER 2               | 1   |         |
| 14       | JN3-K825G-00-00 | PAD, SILENCER 3               | 1   |         |



JN3100-5270



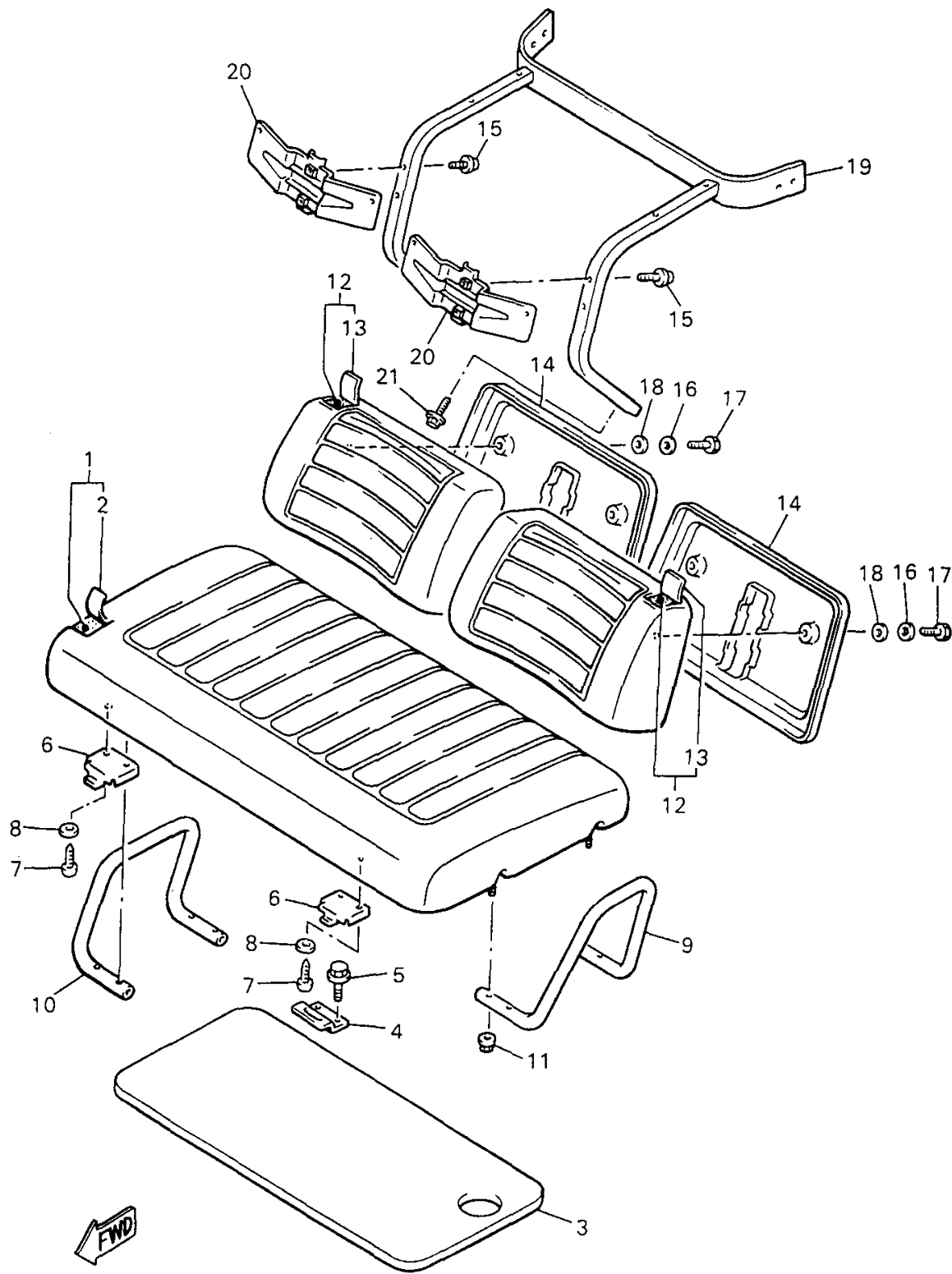
# CARRIER



| Ref. No. | Part Number    | Description         | Qty | Remarks |
|----------|----------------|---------------------|-----|---------|
| 29       | 90201-08103-00 | WASHER, PLAIN ..... | 8   |         |
| 30       | 95680-08100-00 | NUT, U .....        | 2   |         |
| 31       | 90338-09828-00 | PLUG .....          | 2   |         |

JN3100-5280

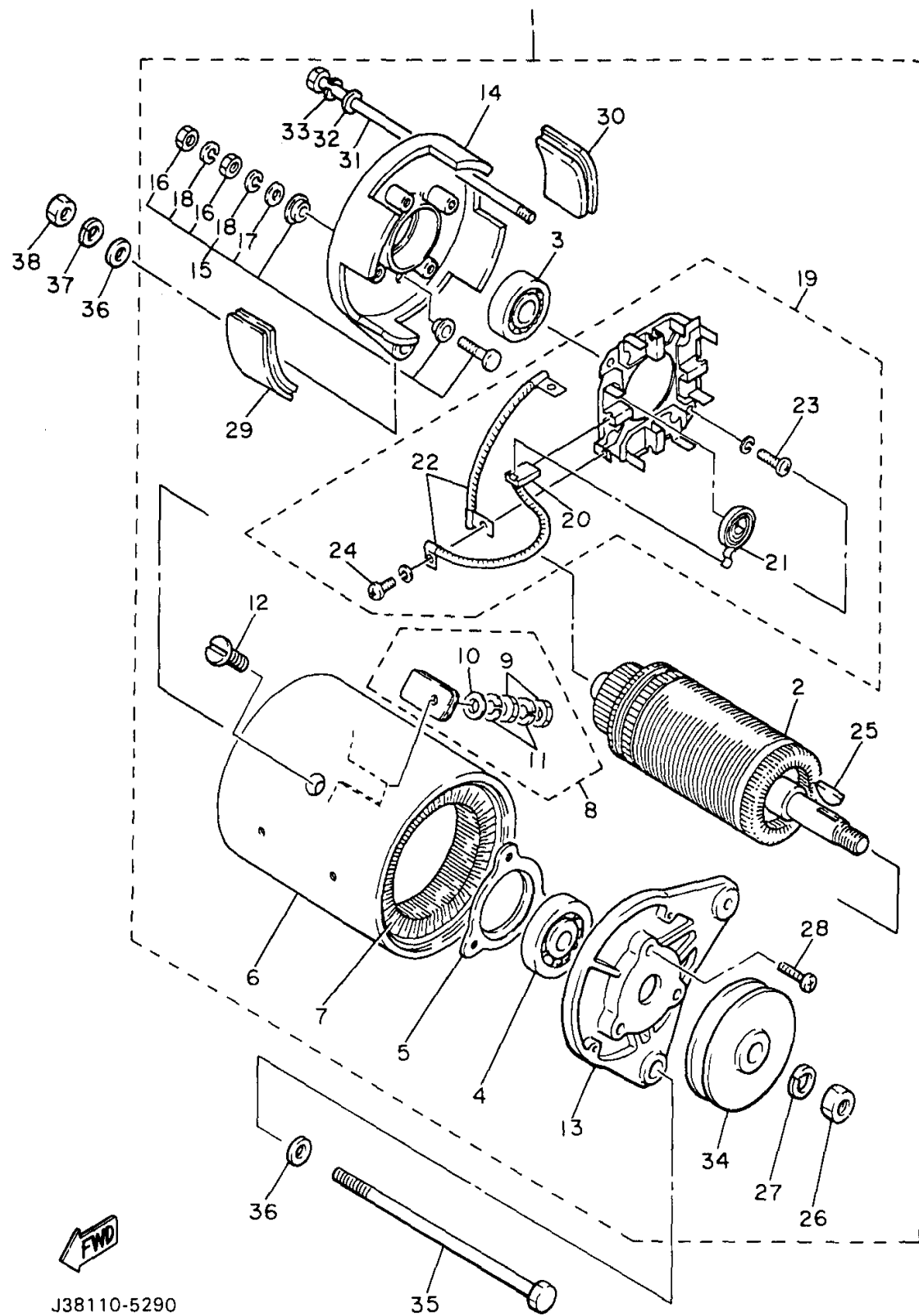
# SEAT



JN3100-6300

| Ref. No. | Part Number     | Description                        | Qty | Remarks |
|----------|-----------------|------------------------------------|-----|---------|
| 1        | JN3-K8401-00-00 | SEAT SUB-ASSEMBLY, CUSHION         | 1   |         |
| 2        | JN3-K8404-09-00 | . COVER, SEAT                      | 1   |         |
| 3        | JN3-K825A-00-00 | PAD, SILENCER 0                    | 1   |         |
| 4        | JF2-K8427-00-00 | HINGE, SEAT FEMALE                 | 2   |         |
| 5        | 90105-06903-00  | BOLT, WASHER BASED                 | 4   |         |
| 6        | JN3-K8426-00-00 | HINGE, SEAT MALE                   | 2   |         |
| 7        | 97780-50125-00  | SCREW, TAPPING                     | 4   |         |
| 8        | 90204-05804-00  | WASHER, SPG                        | 4   |         |
| 9        | JN3-K8361-00-00 | ARM REST                           | 1   |         |
| 10       | JN3-K8362-00-00 | ARM REST 2                         | 1   |         |
| 11       | 95617-08200-00  | NUT, SELF-LOCKING (95607-08200-00) | 8   |         |
| 12       | JN3-K8402-00-00 | BACK, SEAT SUB.                    | 2   |         |
| 13       | JN3-K841G-09-00 | . COVER, SEAT BACK                 | 1   |         |
| 14       | JN3-K8413-00-00 | COVER, SEAT BACK                   | 2   |         |
| 15       | 90119-08820-00  | BOLT, HEX. W/WASHER                | 4   |         |
| 16       | 90201-068G0-00  | WASHER, PLAIN                      | 4   |         |
| 17       | 95880-06025-00  | BOLT, FLANGE                       | 4   |         |
| 18       | 90201-068G6-00  | WASHER, PLAIN                      | 4   |         |
| 19       | JN3-K8423-00-00 | SUPPORT, SEAT BACK                 | 1   |         |
| 20       | JN3-K842H-00-00 | RETAINER, SEAT                     | 2   |         |
| 21       | 95817-08045-00  | BOLT, FLANGE                       | 4   |         |

# STARTER GENERATOR

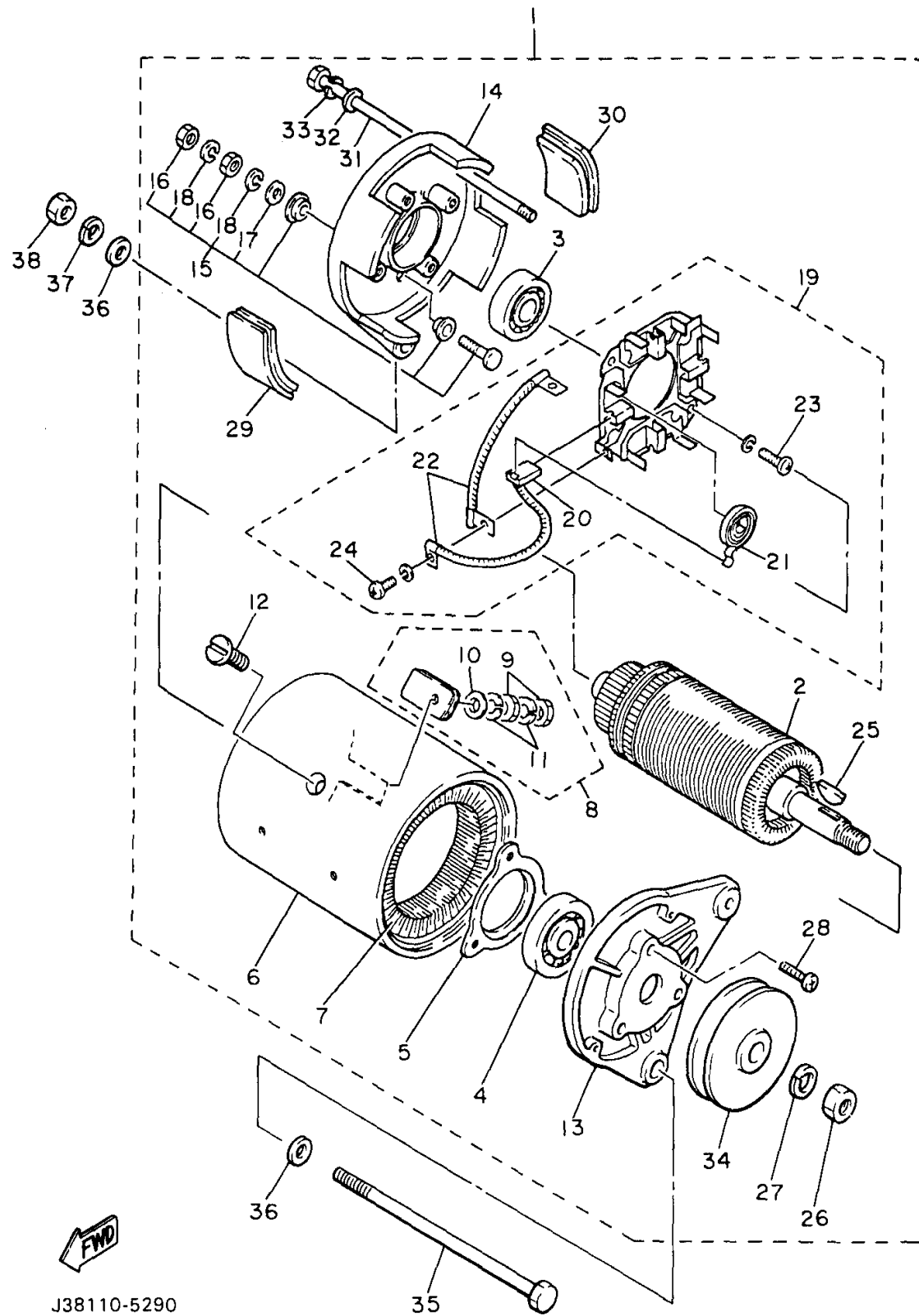


J38110-5290

| Ref. No. | Part Number     | Description                                  | Qty | Remarks |
|----------|-----------------|--|-----|---------|
| 1        | J38-81100-11-00 | STARTER GENERATOR ASSEMBLY (JF2-H1100-00-00) | 1   |         |
| 2        | J10-81150-10-00 | . ARMATURE ASSEMBLY                          | 1   |         |
| 3        | J10-81157-10-00 | . BEARING 1 (6202 SD)                        | 1   |         |
| 4        | J10-81158-10-00 | . BEARING 2 (6203 SD)                        | 1   |         |
| 5        | J10-81159-10-00 | . HOLDER, BEARING                            | 1   |         |
| 6        | J38-81110-10-00 | . STATOR ASSEMBLY                            | 1   |         |
| 7        | J38-81160-10-00 | . FIELD COIL ASSEMBLY                        | 1   |         |
| 8        | J10-81148-10-00 | . SCREW                                      | 2   |         |
| 9        | 95380-06600-00  | .. NUT                                       | 4   |         |
| 10       | 92990-06600-00  | .. WASHER, PLATE                             | 2   |         |
| 11       | 92995-06100-00  | .. WASHER, SPRING                            | 4   |         |
| 12       | J10-81146-10-00 | . SCREW                                      | 4   |         |
| 13       | J38-81165-10-00 | . BRACKET, STARTER GENERATOR                 | 1   |         |
| 14       | J10-81166-10-00 | . BRACKET, STARTER GENERATOR                 | 1   |         |
| 15       | J10-81147-10-00 | . SCREW                                      | 2   |         |
| 16       | 95380-06600-00  | .. NUT                                       | 4   |         |
| 17       | 92990-06600-00  | .. WASHER, PLATE                             | 2   |         |
| 18       | 92995-06100-00  | .. WASHER, SPRING                            | 4   |         |
| 19       | JF2-81119-00-00 | . BRUSH HOLDER ASSEMBLY                      | 1   |         |
| 20       | JF2-81111-00-00 | .. BRUSH                                     | 4   |         |
| 21       | J38-81113-10-00 | .. SPRING, BRUSH                             | 4   |         |
| 22       | J10-81115-10-00 | .. WIRE, LEAD                                | 2   |         |
| 23       | 98507-05016-00  | .. SCREW, PAN HEAD                           | 2   |         |
| 24       | 98580-04010-00  | .. SCREW, PAN HEAD                           | 4   |         |
| 25       | J38-81163-10-00 | . KEY  | 1   |         |
| 26       | 95317-14600-00  | . NUT  | 1   |         |
| 27       | 92901-14100-00  | . WASHER, SPRING                             | 1   |         |

CONTINUED ON NEXT FRAME ►

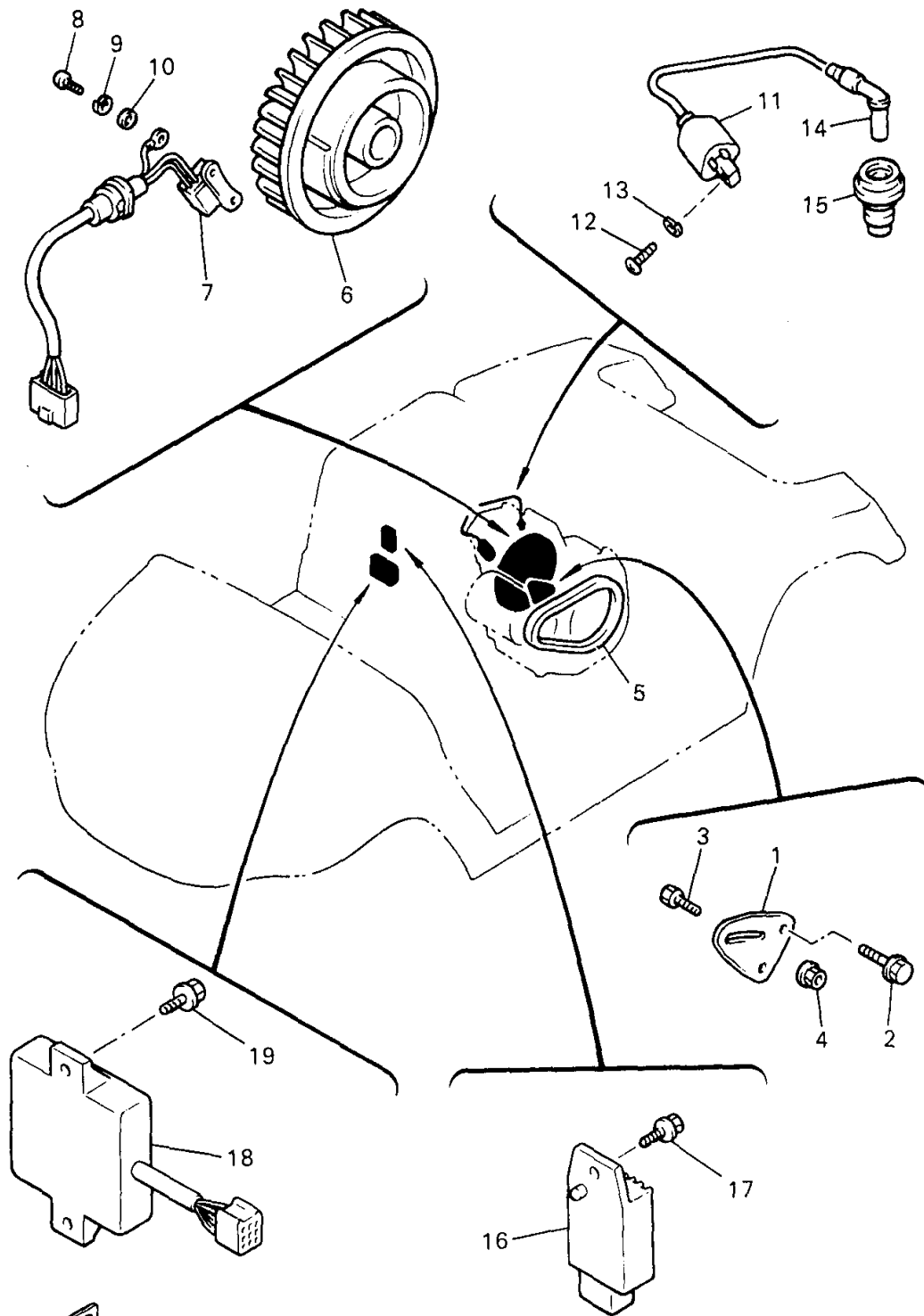
# STARTER GENERATOR



J38110-5290

| Ref. No. | Part Number     | Description       | Qty | Remarks |
|----------|-----------------|-------------------|-----|---------|
| 28       | 98507-05018-00  | . SCREW, PAN HEAD | 3   |         |
| 29       | J10-81129-10-00 | . COVER, BRUSH    | 3   |         |
| 30       | J10-81129-10-00 | . COVER, BRUSH    | 1   |         |
| 31       | J10-81145-10-00 | . SCREW           | 2   |         |
| 32       | 92990-06600-00  | . WASHER, PLATE   | 2   |         |
| 33       | 92995-06100-00  | . WASHER, SPRING  | 2   |         |
| 34       | J38-81161-10-00 | . PULLEY          | 1   |         |
| 35       | 90101-12545-00  | BOLT              | 1   |         |
| 36       | 92907-12600-00  | WASHER            | 2   |         |
| 37       | 92907-12100-00  | WASHER            | 1   |         |
| 38       | 95307-12600-00  | NUT               | 1   |         |

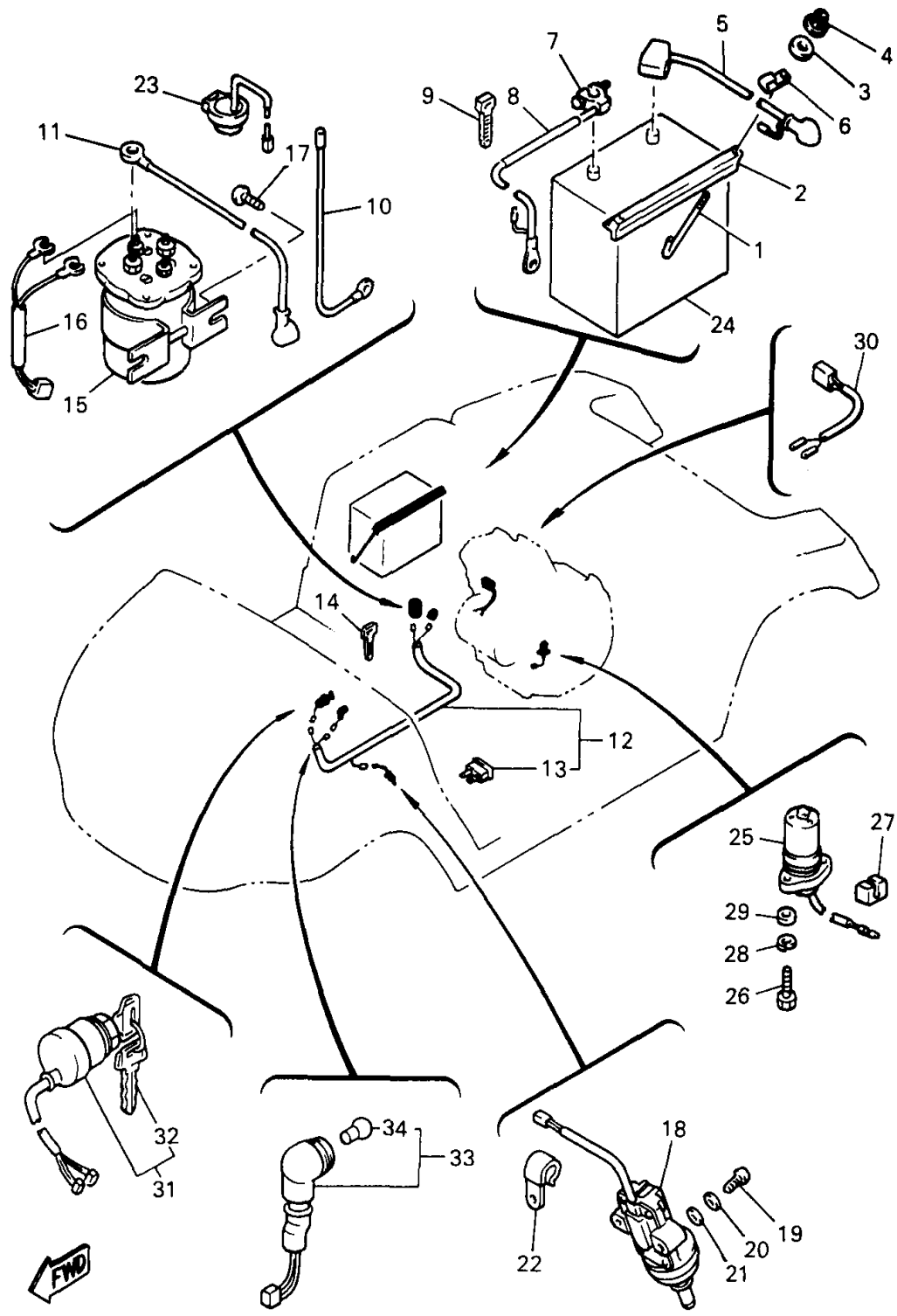
# ELECTRICAL 1



| Ref. No. | Part Number     | Description                                | Qty | Remarks |
|----------|-----------------|--|-----|---------|
| 1        | J38-81170-00-00 | TENSIONER ASSEMBLY .....                   | 1   |         |
| 2        | 95817-08025-00  | BOLT, FLANGE .....                         | 2   |         |
| 3        | 90109-087A5-00  | BOLT .....                                 | 1   |         |
| 4        | 95707-08600-00  | NUT, FLANGE .....                          | 1   |         |
| 5        | J55-H1173-00-00 | BELT .....                                 | 1   |         |
| 6        | JF2-81350-00-00 | ROTOR ASSEMBLY .....                       | 1   |         |
| 7        | JF2-85580-00-00 | COIL, PULSER .....                         | 1   |         |
| 8        | 98507-05016-00  | SCREW, PAN HEAD .....                      | 2   |         |
| 9        | 92907-05100-00  | WASHER, SPRING .....                       | 2   |         |
| 10       | 92907-05600-00  | WASHER, PLATE .....                        | 2   |         |
| 11       | JF2-82310-00-00 | IGNITION COIL ASSEMBLY ...                 | 1   |         |
| 12       | 98507-05020-00  | SCREW, PAN HEAD .....                      | 2   |         |
| 13       | 92907-05100-00  | WASHER, SPRING .....                       | 2   |         |
| 14       | 8K1-82370-20-00 | PLUG CAP ASSEMBLY<br>(WITH RESISTOR) ..... | 1   |         |
| 15       | J38-82372-00-00 | SEAL, plug cap .....                       | 1   |         |
| 16       | JF2-81910-01-00 | VOLTAGE REGULATOR .....                    | 1   |         |
| 17       | 95807-06016-00  | BOLT, FLANGE .....                         | 1   |         |
| 18       | JN3-82305-00-00 | IGNITOR UNIT ASSEMBLY ...                  | 1   |         |
| 19       | 95817-06020-00  | BOLT, FLANGE .....                         | 2   |         |

JN3100-5310

# ELECTRICAL 2

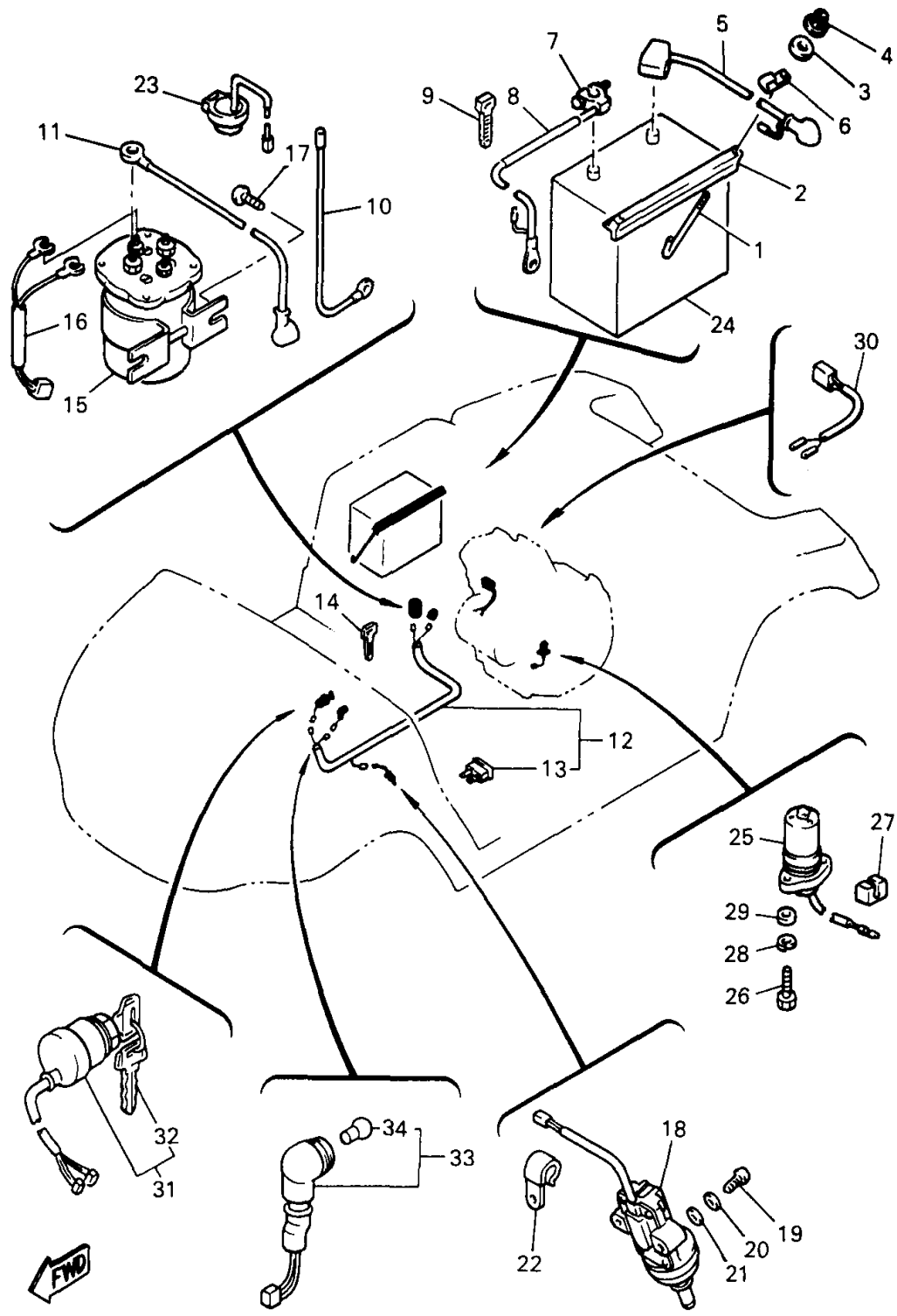


JN3300-5320

| Ref. No. | Part Number     | Description              | Qty | Remarks |
|----------|-----------------|--------------------------|-----|---------|
| 1        | JN3-H2133-00-00 | SCREW, FITTING           | 2   |         |
| 2        | J55-H2136-00-00 | PLATE, BATTERY           | 1   |         |
| 3        | 92907-06200-00  | WASHER                   | 2   |         |
| 4        | 95707-06500-00  | NUT, FLANGE              | 2   |         |
| 5        | JF2-H2115-11-00 | WIRE, PLUS LEAD          | 1   |         |
| 6        | 90461-08031-00  | CLAMP                    | 1   |         |
| 7        | JF2-H2116-02-00 | WIRE, MINUS LEAD         | 1   |         |
| 8        | JF2-82139-00-00 | TUBE                     | 1   |         |
| 9        | 90464-13080-00  | CLAMP                    | 1   |         |
| 10       | JG5-H232Y-00-00 | WIRE, EARTH LEAD         | 1   |         |
| 11       | JF2-H2117-02-00 | WIRE, LEAD               | 1   |         |
| 12       | JN3-82590-00-00 | WIRE HARNESS ASSEMBLY    | 1   |         |
| 13       | 42X-82151-00-00 | FUSE (10A-BL)            | 2   |         |
| 14       | 90464-23041-00  | CLAMP                    | 1   |         |
| 15       | JF2-H1950-00-00 | RELAY ASSEMBLY           | 1   |         |
| 16       | JF2-82105-00-00 | WIRE HARNESS             | 1   |         |
| 17       | 90163-06005-00  | SCREW, HEX. T            | 2   |         |
| 18       | JF7-82817-20-00 | SWITCH, ACCELERATOR STOP | 1   |         |
| 19       | 98507-05025-00  | SCREW, PAN HEAD          | 2   |         |
| 20       | 92907-05100-00  | WASHER, SPRING           | 2   |         |
| 21       | 92907-05600-00  | WASHER, PLATE            | 2   |         |
| 22       | 90465-08028-00  | CLAMP                    | 1   |         |
| 23       | JN3-83383-00-00 | BUZZER                   | 1   |         |
| 24       | UNA-VAILA-BL-EI | 0 0                      |     |         |
| 25       | JH2-85720-01-00 | OIL LEVEL GAUGE ASSEMBLY | 1   |         |
| 26       | 97080-06020-00  | BOLT                     | 2   |         |
| 27       | J38-82598-00-00 | GROMMET                  | 1   |         |
| 28       | 92995-06100-00  | WASHER, SPRING           | 2   |         |
| 29       | 92990-06600-00  | WASHER, PLATE            | 2   |         |

CONTINUED ON NEXT FRAME ►

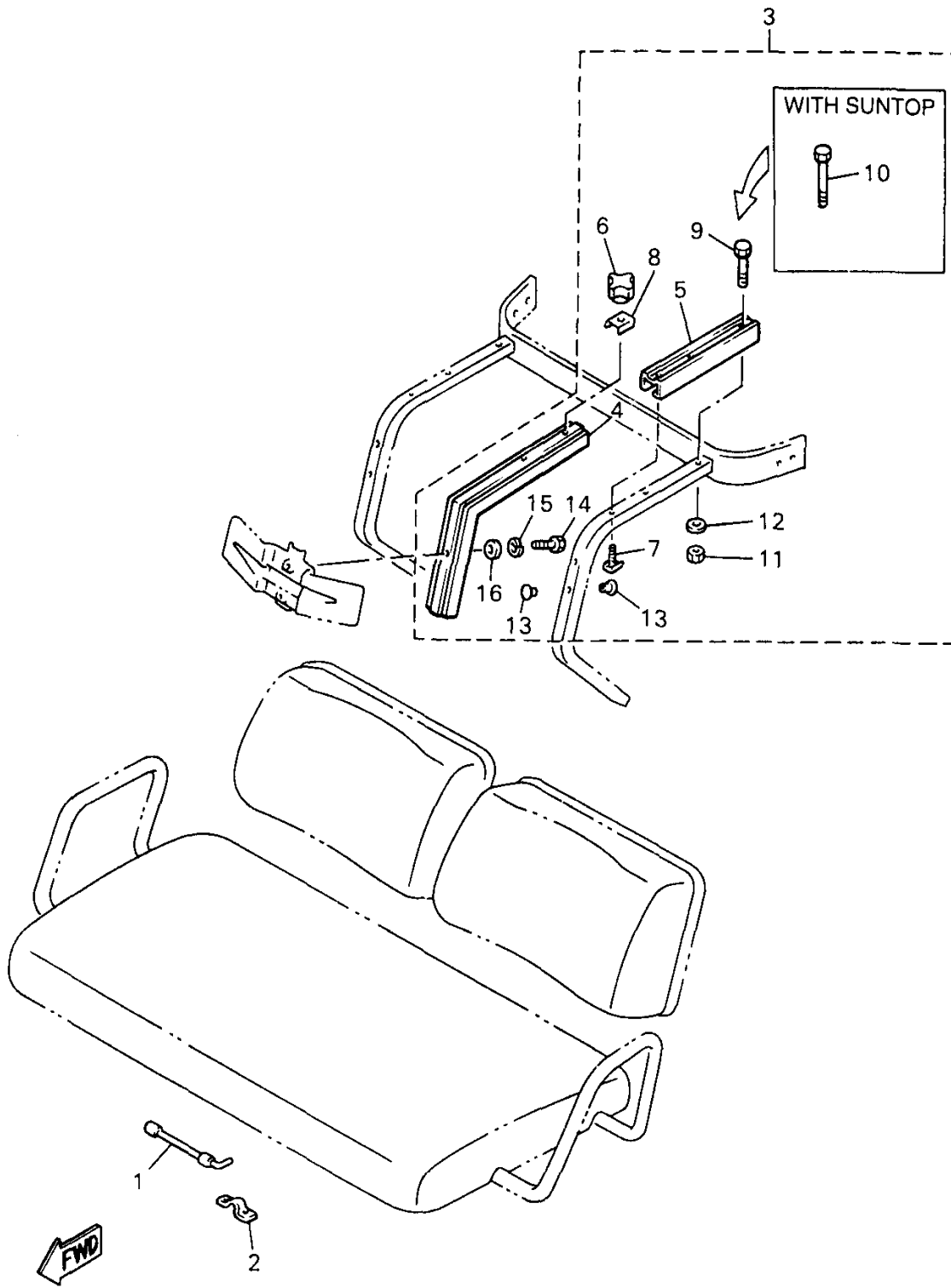
# ELECTRICAL 2



| Ref. No. | Part Number     | Description                             | Qty | Remarks |
|----------|-----------------|---|-----|---------|
| 30       | JF2-82318-00-00 | WIRE, SUB-LEAD .....                    | 1   |         |
| 31       | JN3-82510-00-00 | MAIN SWITCH ASSEMBLY ...                | 1   |         |
| 32       | J44-82511-00-YY | . KEY, MAIN SWITCH (J44825110000) ..... | 1   |         |
| 33       | JF2-83530-00-00 | PILOT LIGHT ASSEMBLY ....               | 1   |         |
| 34       | 123-83516-21-XX | . BULB, (12V-3. 4W) .....               | 1   |         |

JN3300-5320

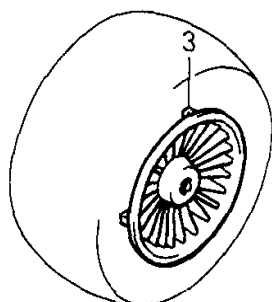
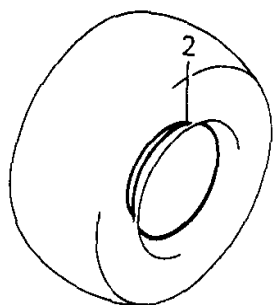
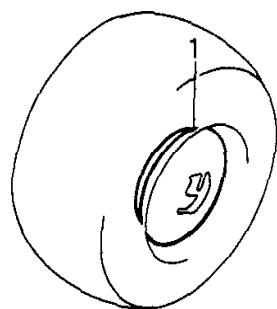
# SEAT (ALTERNATE)



JN3100-5331

| Ref. No. | Part Number     | Description            | Qty | Remarks |
|----------|-----------------|------------------------|-----|---------|
| 1        | JN3-K8421-00-00 | SUPPORT, SEAT          | 1   |         |
| 2        | JF2-K8422-00-00 | BRACKET, SEAT SUPPORT  | 1   |         |
| 3        | JN3-K8450-00-00 | SEAT ADJUSTER ASSEMBLY | 1   |         |
| 4        | JN3-K845A-00-00 | . MEMBER, SLIDE SEAT   | 1   |         |
| 5        | JN3-K8451-00-00 | . FRAME, SLIDE SEAT    | 1   |         |
| 6        | JN3-K8452-00-00 | . SEAT-ADJUSTER        | 1   |         |
| 7        | JN3-K8459-00-00 | . REINFORCEMENT,       | 1   |         |
| 8        | JN3-K845E-00-00 | . REINFORCEMENT,       | 1   |         |
| 9        | 97004-08045-00  | . BOLT, HEXAGON        | 2   |         |
| 10       | 97004-08070-00  | . BOLT, HEXAGON        | 2   |         |
| 11       | 95680-08100-00  | . NUT, U               | 2   |         |
| 12       | 92990-08200-00  | . WASHER, PLAIN        | 2   |         |
| 13       | 90338-09828-00  | . PLUG                 | 4   |         |
| 14       | 97004-08020-00  | . BOLT, HEX. HEAD      | 2   |         |
| 15       | 92990-08100-00  | . WASHER               | 2   |         |
| 16       | 92990-08600-00  | . WASHER, PLATE        | 2   |         |

# HUB-CAP (ALTERNATE)



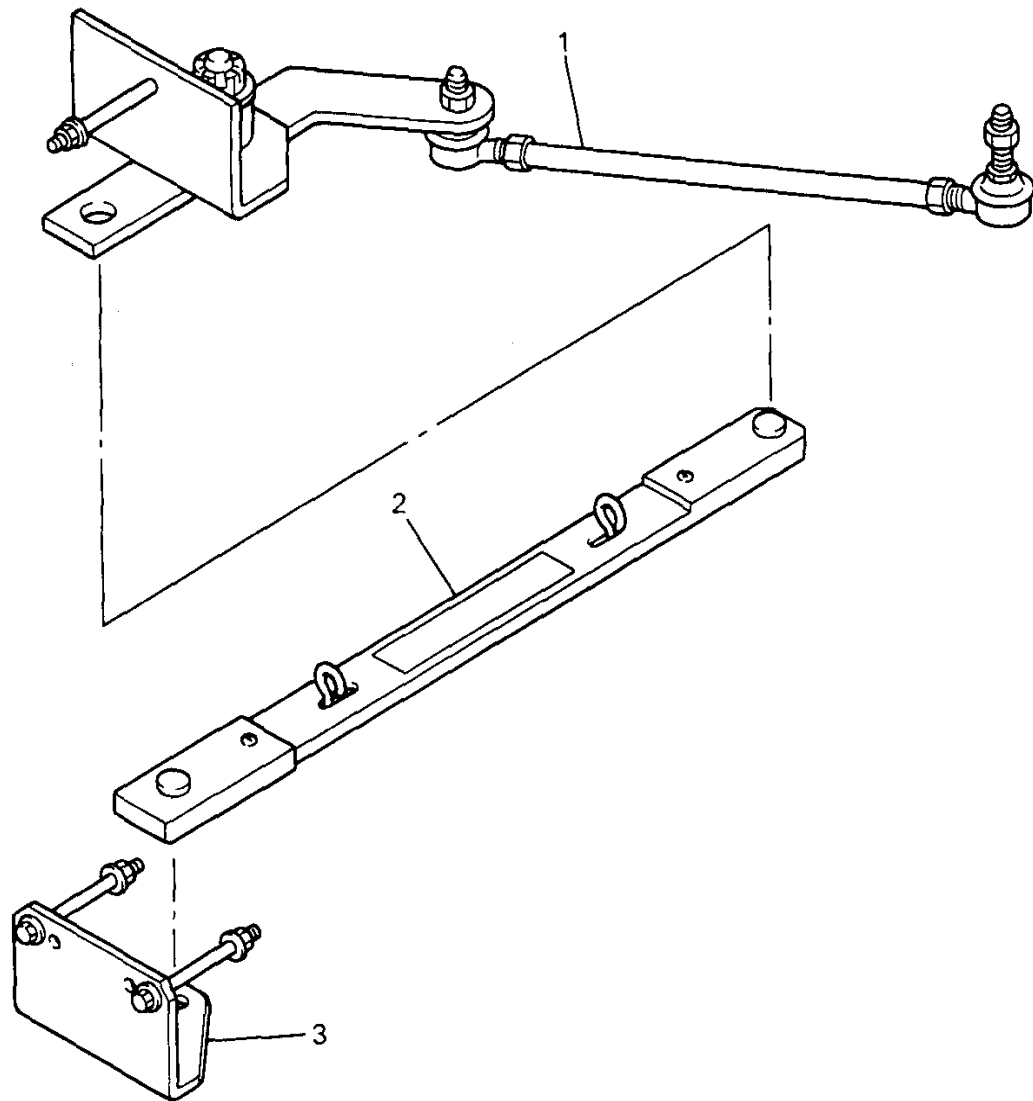
| Ref. No. | Part Number     | Description              | Qty | Remarks |
|----------|-----------------|--------------------------|-----|---------|
| 1        | JG5-F512K-00-00 | HUB-CAP, YAMAHA LOGO ... | 4   |         |
| 2        | JG5-F512L-00-00 | HUB-CAP, PLAIN .....     | 4   |         |
| 3        | JG5-F512M-00-00 | HUB-CAP, MAG-STYLE ..... | 4   |         |



JN3100-5340

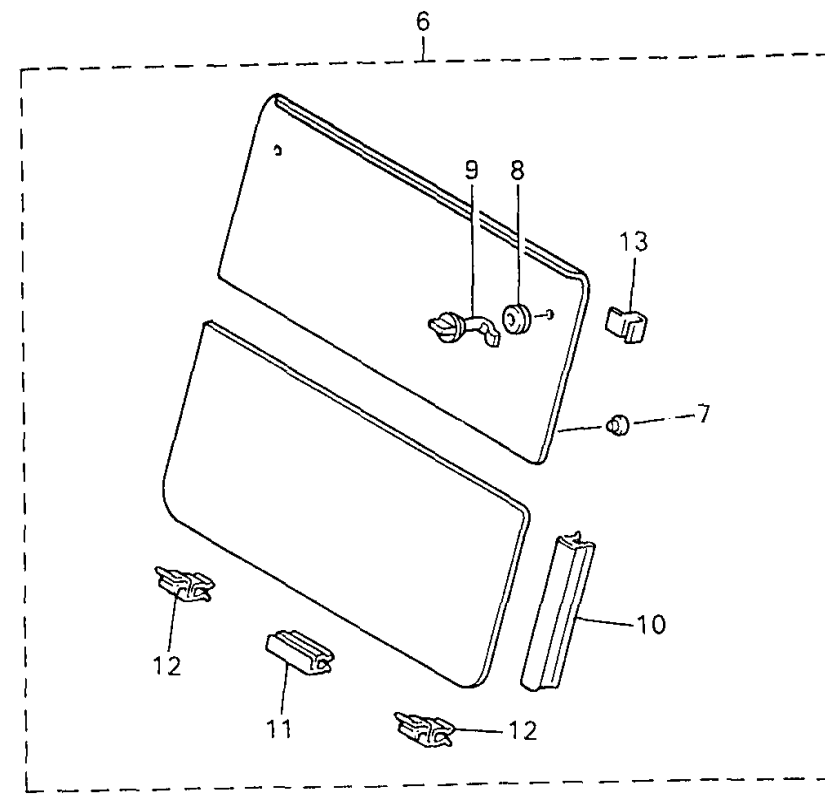
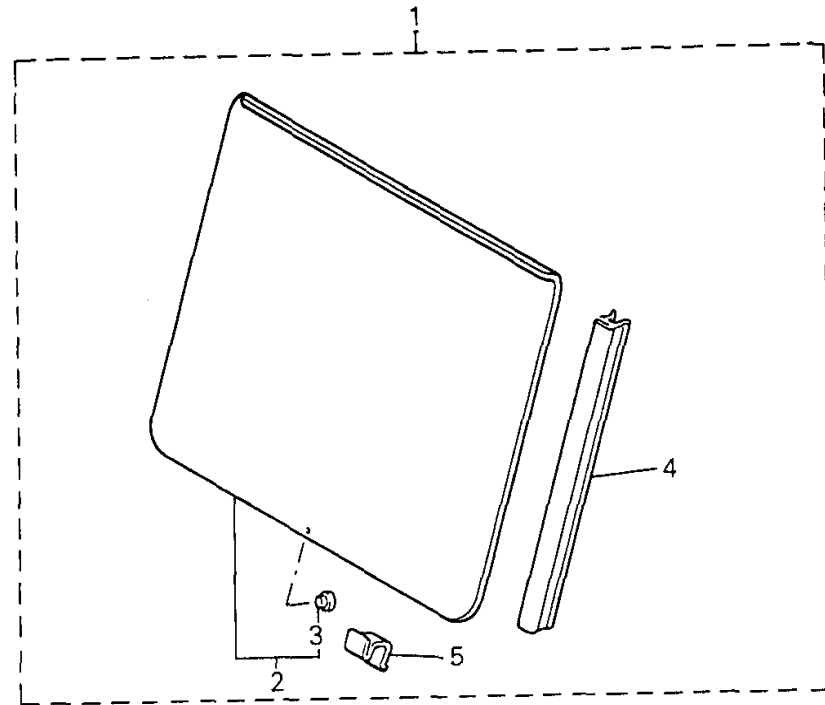
## DRAW BAR (ALTERNATE)

| Ref. No. | Part Number     | Description         | Qty     | Remarks |
|----------|-----------------|---------------------|---------|---------|
| 1        | JN3-F389K-00-00 | ARM PIVOT ASSEMBLY  | ..... 1 |         |
| 2        | JN3-F389J-00-00 | DRAW BAR ASSEMBLY   | ..... 1 |         |
| 3        | JF2-F3802-00-00 | REAR HITCH ASSEMBLY | ..... 1 |         |



JN3100-5350

# WINDSHIELD (ALTERNATE)

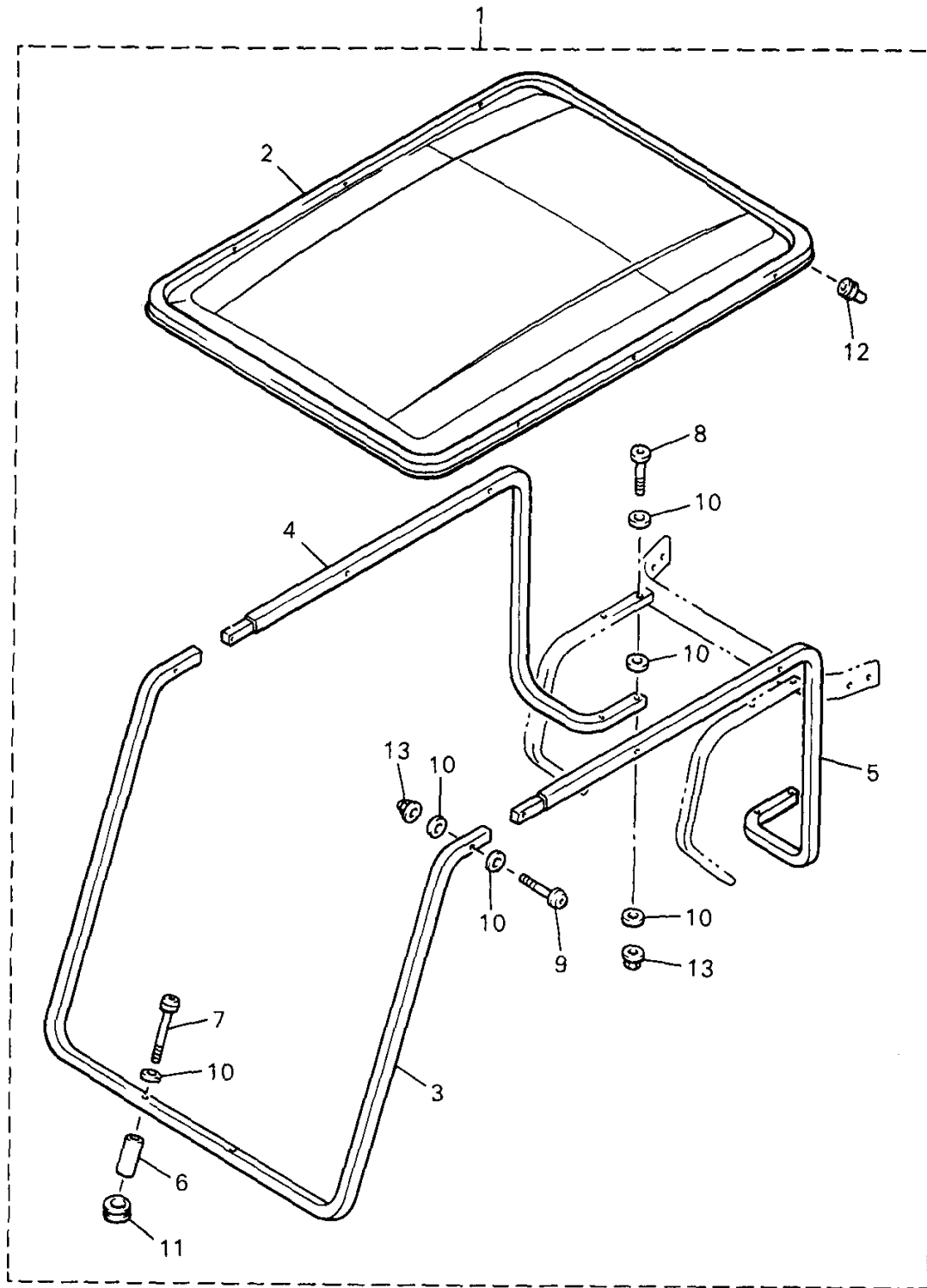


| Ref. No. | Part Number     | Description                          | Qty | Remarks |
|----------|-----------------|--------------------------------------|-----|---------|
| 1        | JN3-K7200-00-00 | WINDSHIELD ASSEMBLY. (CLEAR)         | 1   | UR AP   |
|          | JN3-K7200-10-00 | WINDSHIELD ASSEMBLY. (TINTED)        | 1   | UR AP   |
| 2        | JN3-K7210-00-00 | . WINDSHIELD COMP (CLEAR)            | 1   | UR      |
| 3        | JN3-K7238-00-00 | . . DAMPER, WINDSHIELD               | 1   |         |
| 4        | JN3-K838C-00-00 | . HOLDER SHIELD                      | 2   |         |
| 5        | JN3-K722A-00-00 | . FASTENER                           | 2   |         |
| 6        | JN3-K7200-20-00 | WINDSHIELD ASSEMBLY. (HINGED, CLEAR) | 1   | UR AP   |
|          | JN3-K7200-30-00 | WINDSHIELD ASSEMBLY. (HINGED, TINTE) | 1   | UR AP   |
| 7        | JN3-K7238-00-00 | . DAMPER, WINDSHIELD                 | 6   |         |
| 8        | 90480-10854-00  | . GROMMET                            | 2   |         |
| 9        | JN3-K7223-00-00 | . FASTENER                           | 1   |         |
| 10       | JN3-K838A-00-00 | . RETAINER                           | 2   |         |
| 11       | JN3-K722A-00-00 | . FASTENER                           | 1   |         |
| 12       | JN3-K7222-00-00 | . BRACKET, WINDSHIELD                | 2   |         |
| 13       | JN3-K7721-00-00 | . BRACKET,                           | 1   |         |

JN3100-6370



## SUN ROOF (ALTERNATE)



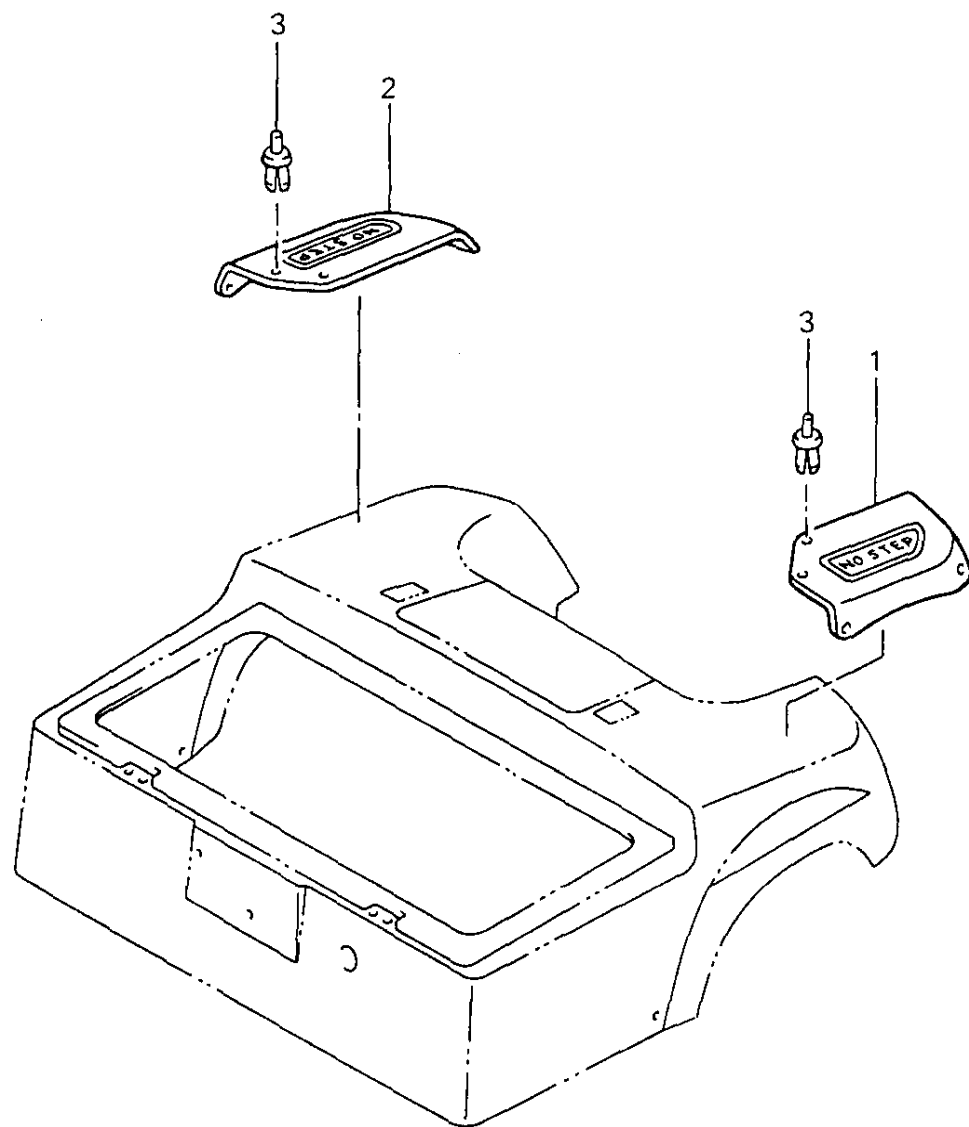
| Ref. No. | Part Number     | Description               | Qty | Remarks |
|----------|-----------------|---------------------------|-----|---------|
| 1        | JN3-K8310-10-00 | SUN ROOF ASSEMBLY .....   | 1   | UR AP   |
| 2        | JN3-K8314-00-00 | . COVER, SUNROOF .....    | 1   |         |
| 3        | JN3-K8312-00-00 | . SUPPORT, ROOF .....     | 1   |         |
| 4        | JN3-K831A-00-00 | . SUPPORT, ROOF .....     | 1   |         |
| 5        | JN3-K8313-00-00 | . SUPPORT, ROOF .....     | 1   |         |
| 6        | 90387-088J4-00  | . COLLAR .....            | 2   |         |
| 7        | 9580L-08085-00  | . BOLT .....              | 2   |         |
| 8        | 9580L-08070-00  | . BOLT .....              | 4   |         |
| 9        | 9580L-08045-00  | . BOLT .....              | 6   |         |
| 10       | 90201-088E5-00  | . WASHER, PLATE .....     | 24  |         |
| 11       | JN3-K832F-00-00 | . GROMMET, ROOF .....     | 2   |         |
| 12       | JN3-K832G-00-00 | . GROMMET, ROOF .....     | 2   |         |
| 13       | 90185-08827-00  | . NUT, SELF-LOCKING ..... | 10  |         |



JN3100-5370

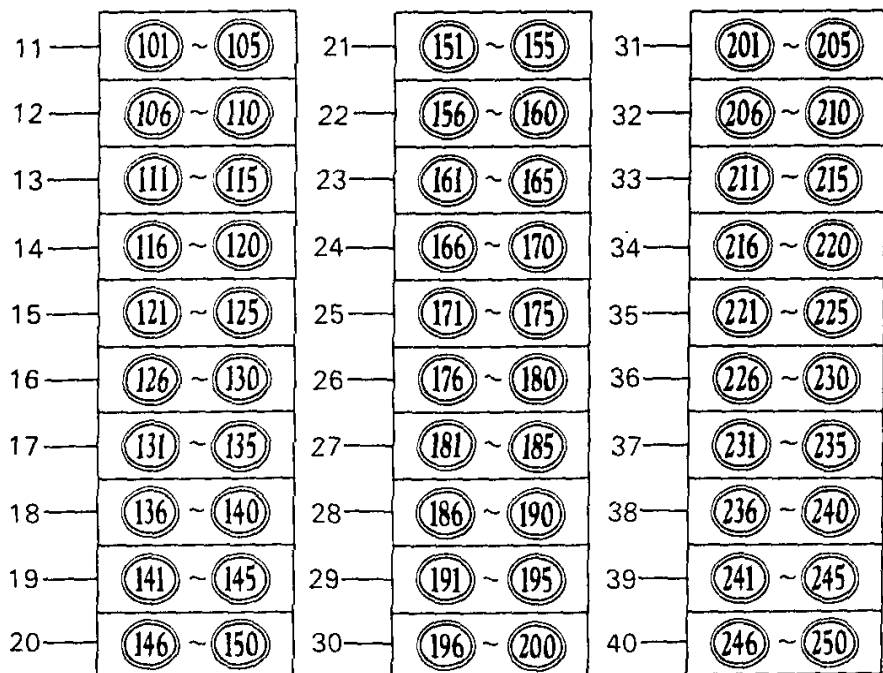
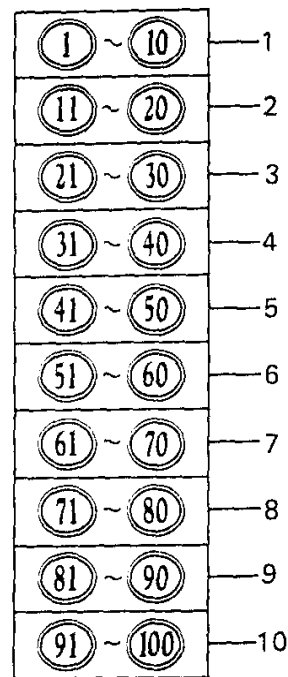
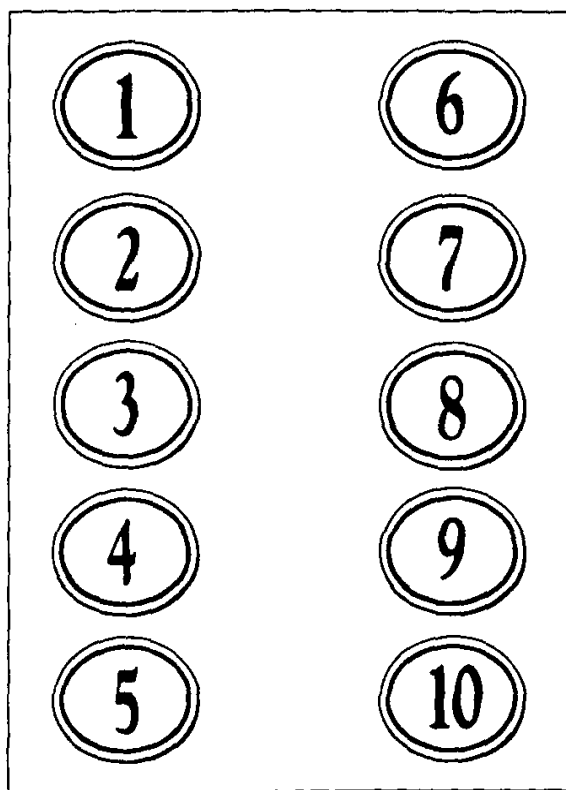
# SIDE MAT (ALTERNATE)

| Ref. No. | Part Number     | Description                | Qty | Remarks |
|----------|-----------------|----------------------------|-----|---------|
| 1        | JN3-K8243-00-00 | MAT, BODY SIDE LEFT .....  | 1   |         |
| 2        | JN3-K8244-00-00 | MAT, BODY SIDE RIGHT ..... | 1   |         |
| 3        | 90269-07810-00  | RIVET .....                | 10  |         |



JN3100-6390

# FLEET NUMBER (ALTERNATE)



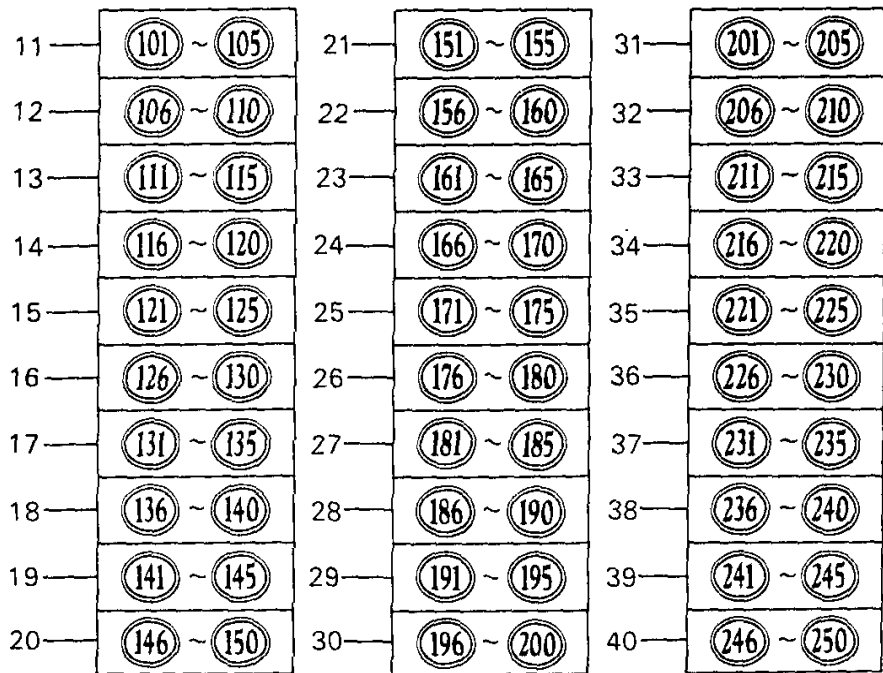
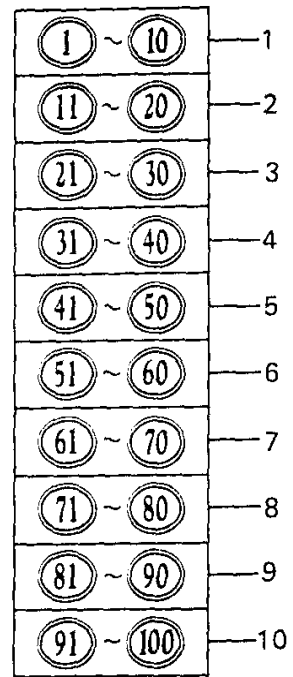
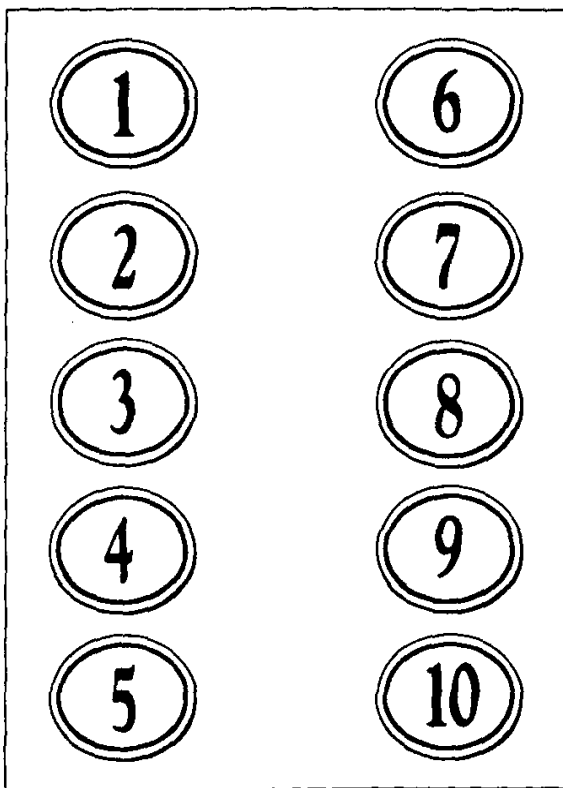
| Ref. No. | Part Number     | Description         | Qty | Remarks |
|----------|-----------------|---------------------|-----|---------|
| 1        | JG5-K810T-10-00 | FLEET, NUMBER ..... | 1   |         |
| 2        | JG5-K810T-20-00 | FLEET, NUMBER ..... | 1   |         |
| 3        | JG5-K810T-30-00 | FLEET, NUMBER ..... | 1   |         |
| 4        | JG5-K810T-40-00 | FLEET, NUMBER ..... | 1   |         |
| 5        | JG5-K810T-50-00 | FLEET, NUMBER ..... | 1   |         |
| 6        | JG5-K810T-60-00 | FLEET, NUMBER ..... | 1   |         |
| 7        | JG5-K810T-70-00 | FLEET, NUMBER ..... | 1   |         |
| 8        | JG5-K810T-80-00 | FLEET, NUMBER ..... | 1   |         |
| 9        | JG5-K810T-90-00 | FLEET, NUMBER ..... | 1   |         |
| 10       | JG5-K810T-00-00 | FLEET, NUMBER ..... | 1   |         |
| 11       | JG5-K810U-A0-00 | FLEET, NUMBER ..... | 1   |         |
| 12       | JG5-K810U-10-00 | FLEET, NUMBER ..... | 1   |         |
| 13       | JG5-K810U-E0-00 | FLEET, NUMBER ..... | 1   |         |
| 14       | JG5-K810U-20-00 | FLEET, NUMBER ..... | 1   |         |
| 15       | JG5-K810U-F0-00 | FLEET, NUMBER ..... | 1   |         |
| 16       | JG5-K810U-30-00 | FLEET, NUMBER ..... | 1   |         |
| 17       | JG5-K810U-G0-00 | FLEET, NUMBER ..... | 1   |         |
| 18       | JG5-K810U-40-00 | FLEET, NUMBER ..... | 1   |         |
| 19       | JG5-K810U-H0-00 | FLEET, NUMBER ..... | 1   |         |
| 20       | JG5-K810U-50-00 | FLEET, NUMBER ..... | 1   |         |
| 21       | JG5-K810U-J0-00 | FLEET, NUMBER ..... | 1   |         |
| 22       | JG5-K810U-60-00 | FLEET, NUMBER ..... | 1   |         |
| 23       | JG5-K810U-K0-00 | FLEET, NUMBER ..... | 1   |         |
| 24       | JG5-K810U-70-00 | FLEET, NUMBER ..... | 1   |         |
| 25       | JG5-K810U-L0-00 | FLEET, NUMBER ..... | 1   |         |
| 26       | JG5-K810U-80-00 | FLEET, NUMBER ..... | 1   |         |
| 27       | JG5-K810U-M0-00 | FLEET, NUMBER ..... | 1   |         |
| 28       | JG5-K810U-90-00 | FLEET, NUMBER ..... | 1   |         |
| 29       | JG5-K810U-N0-00 | FLEET, NUMBER ..... | 1   |         |

CONTINUED ON NEXT FRAME ►

JN3100-6400

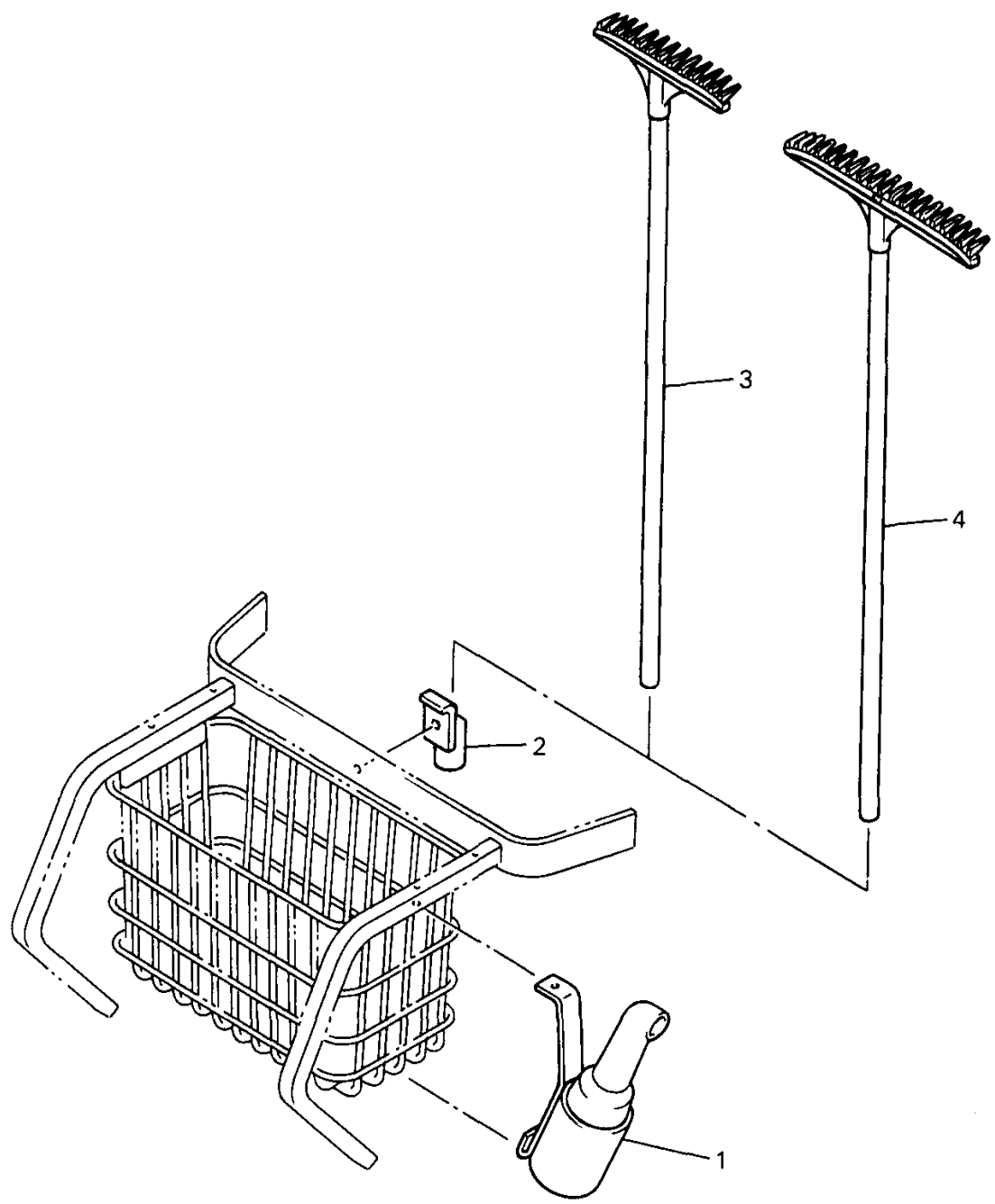
# FLEET NUMBER (ALTERNATE)

| Ref. No. | Part Number     | Description         | Qty | Remarks |
|----------|-----------------|---------------------|-----|---------|
| 30       | JG5-K810U-00-00 | FLEET, NUMBER ..... | 1   |         |
| 31       | JG5-K810V-A0-00 | FLEET, NUMBER ..... | 1   |         |
| 32       | JG5-K810V-10-00 | FLEET, NUMBER ..... | 1   |         |
| 33       | JG5-K810V-E0-00 | FLEET, NUMBER ..... | 1   |         |
| 34       | JG5-K810V-20-00 | FLEET, NUMBER ..... | 1   |         |
| 35       | JG5-K810V-F0-00 | FLEET, NUMBER ..... | 1   |         |
| 36       | JG5-K810V-30-00 | FLEET, NUMBER ..... | 1   |         |
| 37       | JG5-K810V-G0-00 | FLEET, NUMBER ..... | 1   |         |
| 38       | JG5-K810V-40-00 | FLEET, NUMBER ..... | 1   |         |
| 39       | JG5-K810V-H0-00 | FLEET, NUMBER ..... | 1   |         |
| 40       | JG5-K810V-50-00 | FLEET, NUMBER ..... | 1   |         |



JN3100-6400

# SAND BOTTLE (ALTERNATE)

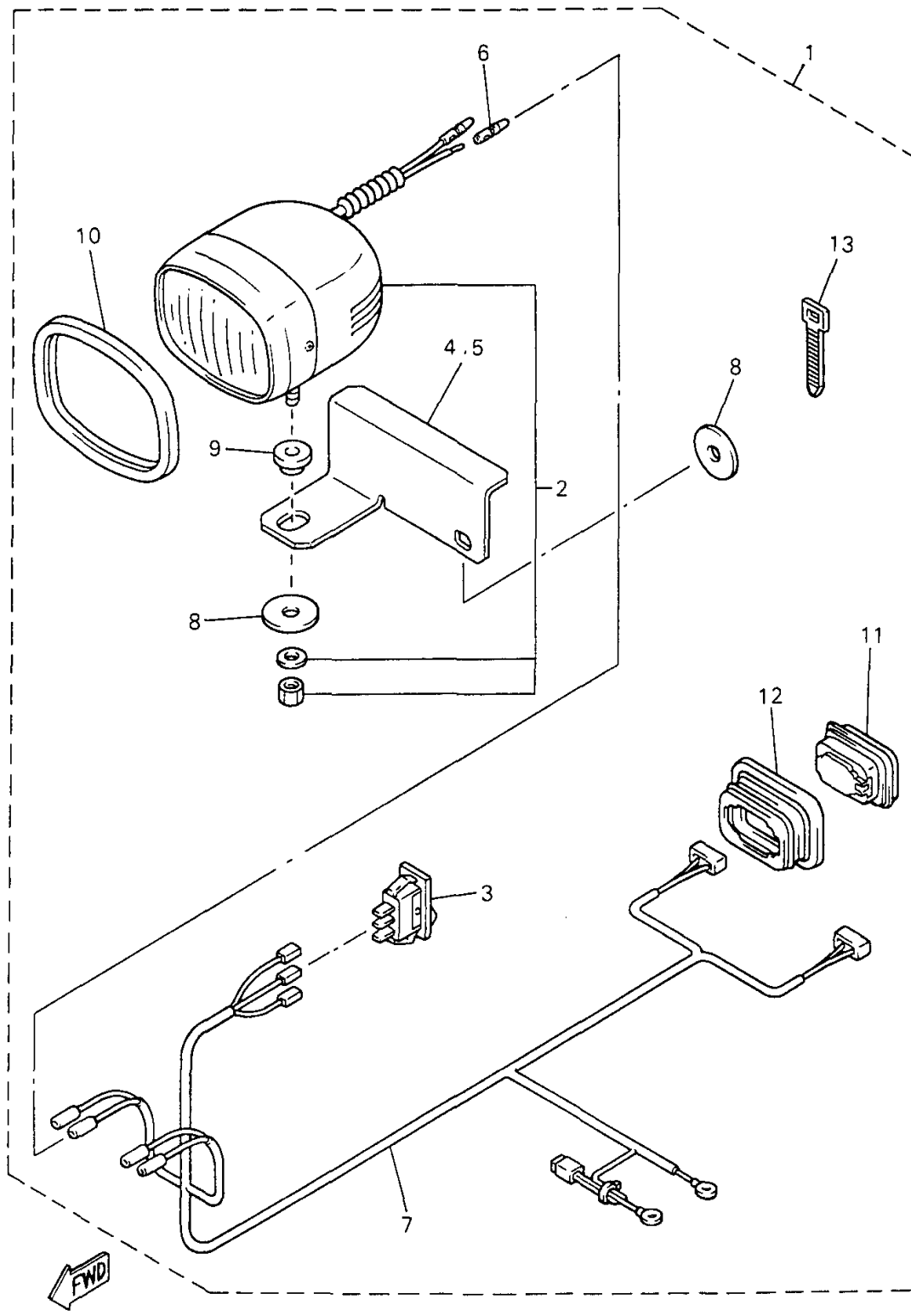


| Ref. No. | Part Number     | Description              | Qty | Remarks |
|----------|-----------------|--------------------------|-----|---------|
| 1        | JN3-K8309-00-00 | SAND BOTTLE ASSEMBLY ... | 1   |         |
| 2        | JG5-K834G-00-00 | HOLDER, RAKE .....       | 1   |         |
| 3        | JG5-K834H-00-00 | RAKE, SAND .....         | 1   |         |
| 4        | JG5-K834J-00-00 | RAKE, SAND .....         | 1   |         |



JN3100-5410

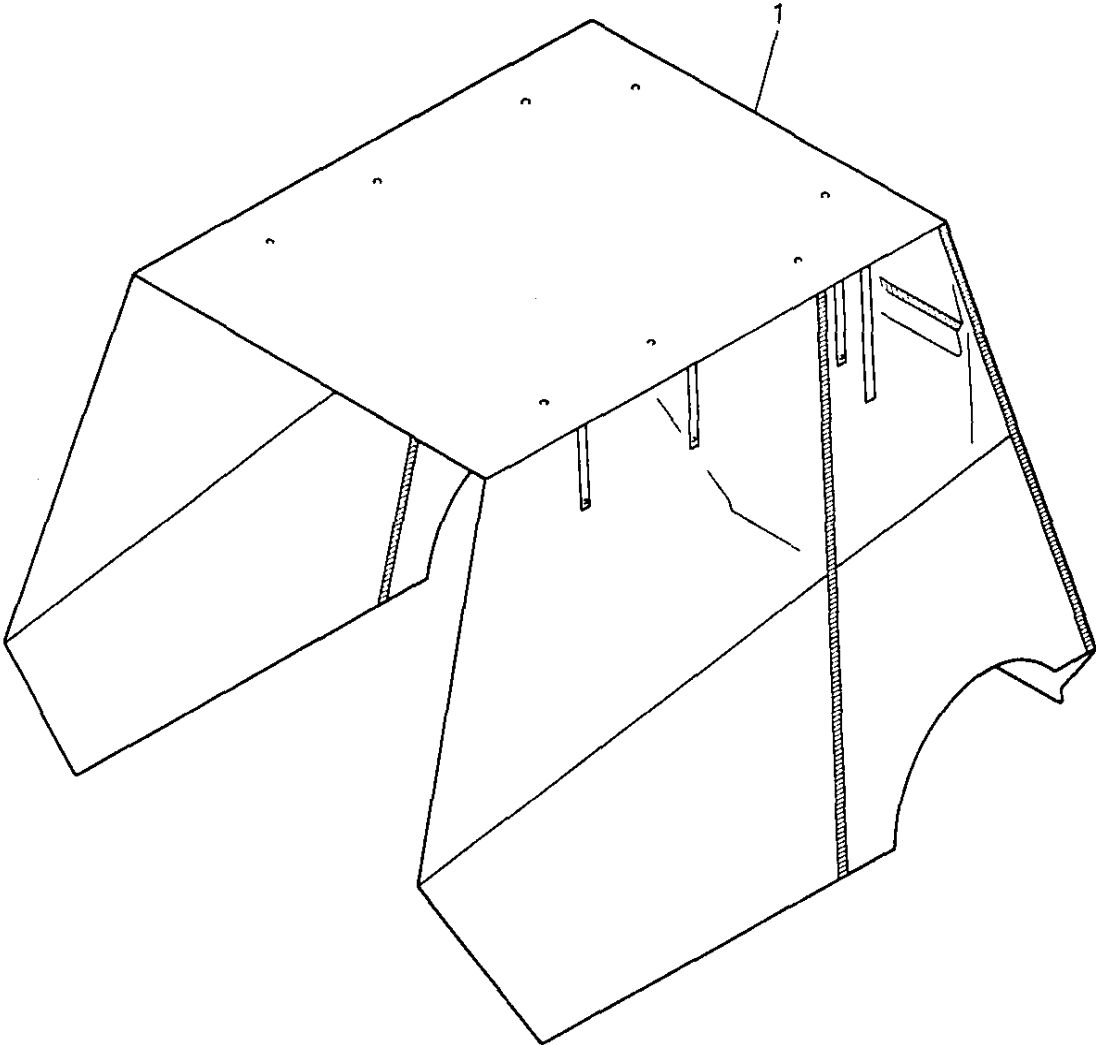
# HEADLIGHT (ALTERNATE)



JN3100-6420

| Ref. No. | Part Number     | Description                     | Qty | Remarks |
|----------|-----------------|---------------------------------|-----|---------|
| 1        | JN3-H430A-00-00 | HEADLIGHT UNIT ASSEMBLY .       | 1   |         |
| 2        | JN3-H4300-00-00 | . HEAD LIGHT UNIT . . . . .     | 2   |         |
| 3        | UNA-VAILA-BL-EI | 0 0 . . . . .                   |     |         |
| 4        | JN3-H4118-00-00 | . STAY, HEAD LIGHT . . . . .    | 1   |         |
| 5        | JN3-H4119-00-00 | . STAY, HEAD LIGHT . . . . .    | 1   |         |
| 6        | 9E212-10401-00  | . TERMINAL, WIRE . . . . .      | 2   |         |
| 7        | JN3-H4159-00-00 | . CORD, HEADLIGHT . . . . .     | 1   |         |
| 8        | 90201-108G2-00  | . WASHER, PLAIN . . . . .       | 4   |         |
| 9        | JN3-H4366-00-00 | . DAMPER, HEAD . . . . .        | 2   |         |
| 10       | JN3-K7165-00-00 | . TRIM, . . . . .               | 2   |         |
| 11       | JN3-H4700-00-00 | . TAIL LIGHT ASSEMBLY . . . . . | 2   |         |
| 12       | JN3-H4718-00-00 | . GROMMET, TAIL . . . . .       | 2   |         |
| 13       | 90464-14806-00  | . CLAMP . . . . .               | 25  |         |

# ENCLOSURE (ALTERNATE)



| Ref. No. | Part Number     | Description     | Qty | Remarks |
|----------|-----------------|-----------------|-----|---------|
| 1        | JN3-K832U-00-00 | ENCLOSURE ..... | 1   |         |



JN3100-6440

|          |                |              |
|----------|----------------|--------------|
| GOLF CAR | DATE: 05/23/95 | BUL: G95-002 |
|----------|----------------|--------------|

## G14A TRANSMISSION CHANGES

### INTRODUCTION

A new Dana Transmission Rear Axle Assembly will be used beginning with May production of the G14A gas car.

Performance specifications are unchanged from previous gas car models. Service changes are shown in Specifications section.

Parts used in the new system are not interchangeable with previous G14A models. See Parts Information section of this bulletin for details.

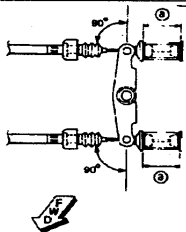
Overhaul and repair information will be provided in a future Service Manual Supplement.

### AFFECTED UNITS

G14AM            JN3-119642 ~

**Note: This Bulletin does not apply to Electric model cars.**

### SPECIFICATIONS

| ITEM                    | DESCRIPTION  |
|-------------------------|--|
| Lubricant / Capacity    | SAE 90 Gear oil / 415cc (0.44 US QT)   |
| Shift stroke adjustment | a = 16 ± 1.0mm<br> |

### TIGHTENING TORQUE

| Part to tighten         | Nm  | m·kg | ft·lb | Remarks  |
|-------------------------|-----|------|-------|--|
| Cover plate, rear       | 23  | 2.3  | 17    | Use Yamaha Quick Gasket or silicone sealant.                 |
| Ring gear               | 55  | 5.5  | 40    |  |
| Gear box cover          | 23  | 2.3  | 17    | Use new gasket   |
| Shift arm nut           | 15  | 1.5  | 11    |  |
| Brake backing plate     | 23  | 2.3  | 17    |  |
| Rear axle hub nut       | 145 | 14.5 | 105   | Self-locking nut. Replace if removed.                        |
| Shift fork detent screw | ⇒   | ⇒    | ⇒     | Adjust detent screw to give 8~14 in. / lbs. of shift torque. |

PAGE 1 OF 3

# YAMAHA Service News

May 1996

Volume 2 Issue 10

News YOU can USE..



## G19E MAC charger technical assistance

**T**he G19E is a nifty new car that also has a nifty new type of battery charger. It's a programmed constant voltage / constant current charger that will take the worry out of golf car battery charging.

For questions regarding what the LED lights are trying to tell you, feel free to call us at Golf Car Service at 800-345-5545. If you have any questions about technical aspects of the unit or need to order any parts, feel free to call MAC representatives and speak with them directly.

MAC Chargers  
(Motor Appliance Corporation)

**800-622-3406**

|                |                 |
|----------------|-----------------|
| Tom Lloyd      | Service Manager |
| Robert Welsh   | Technician      |
| Glen Robertson | Technician      |

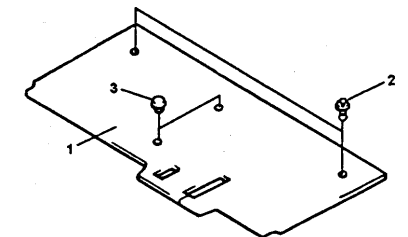
## G14 Floor mat changes

**W**hen ordering floor mats for a G14 or for a 1993 or later G8 (JF2-K8233-10), order two additional new rivets (90269-08813-00) for each mat from YPAD.

The new lower floor mat you receive, JF2-K8233-11, is the same mat, but with two additional places to install rivets.

The new rivets are the reusable type, to ease removal for opening the service lid. Rivet holes are already in the floorpan, so installation is quick and easy.

**NOTE:** If you wish to install the new rivets in the existing center locations, drill out the two floorpan holes from 7.0mm to 8.0mm and order 4 of the new rivets, instead of 2. Don't forget to apply rust proof paint to the new edges of the drilled holes.



| Ref No. | Part No.        | Description     | Qty | Remarks                           |
|---------|-----------------|-----------------|-----|-----------------------------------|
| 1       | JF2-K8233-11-00 | Mat, main floor | 3   | 1 Replaces "10" mat               |
| 2       | 90269-08813-00  | Rivet           | 2   | New rivets for 2 corner locations |
| 3       | 90269-07809-00  | Rivet           | 2   | Standard for 2 center locations   |

Later production G14's are fitted with the new mat and four rivets. The floor panels, mat holes and rivets have been commonized so that one type of rivet is used.

### INSIDE

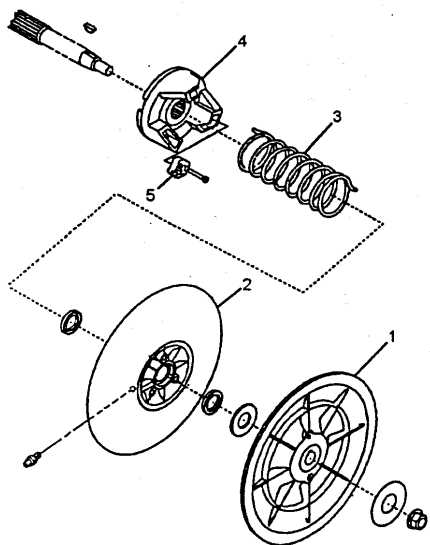
- New secondary clutch for G16A
- New primary clutch for G16A
- Fuel tank pick-up parts available
- G16A/E and G19E Service Manuals
- G19E Controller plug
- G16A Engine breather hose clamps
- Warranty parts; Tag 'em or trash 'em
- G16A Fuel system changes

## New secondary clutch for G16A

**O**ur new secondary clutch sheaves are made in Canada by guys that are real savvy about belt clutches.

The most obvious change is the aluminum fixed sheave.

The material for both sheaves was changed to a much harder aluminum material. And, with the harder material came a "modular" mold, capable of handling the harder material on a very consistent basis. The result is that the sheaves require no additional finish machining, leaving the hard "as cast" chilled layer that minimizes friction and wear.



| Ref No. | Part No.        | Description              | Qty |
|---------|-----------------|--------------------------|-----|
| 1       | JN6-G6260-00-00 | Secondary Fixed Sheave   | 1   |
| 2       | JN6-G6270-00-00 | Secondary Sliding Sheave | 1   |
| 3       | 90508-45844-00  | Spring, Torsion          | 1   |
| 4       | JN6-G6280-00-00 | Secondary Spring Seat    | 1   |
| 5       | JN6-E7688-00-00 | Ramp Shoe                | 3   |

See microfiche and the upcoming Country Club Parts Books for complete parts listings for primary and secondary clutches.

News YOU can USE..



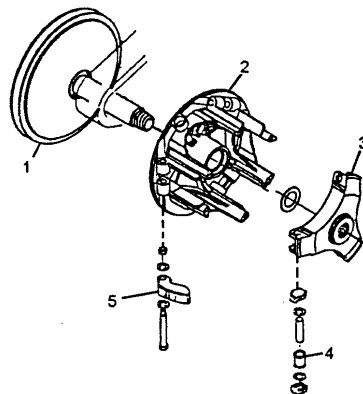
## New primary clutch for G16A

**M**ade by Comet to exacting YAMAHA specifications, this new clutch is American made, has less moving parts and increased reliability.

The sliding sheave bushings and seals appear almost identical to the previous models, but are improved. Greasing maintenance (grease the fitting once a year) stays the same. The sliding sheave is a new much harder material, just like the new secondary clutch.

The new Spider assembly slides into the sliding sheave and the assembly threads onto the fixed sheave. A special tool is required for Spider removal. (U.S. dealers will receive a letter and the tools this spring.)

Component service and exchange is simplified. Use engine assembly grease (like Lubriplate™) to ease assembly of spider weights and rollers. Use Teflon™ spray on the slider surfaces.



| Ref No. | Part No.        | Description            | Qty |
|---------|-----------------|------------------------|-----|
| 1       | JN6-G6210-00-00 | Primary Fixed sheave   | 1   |
| 2       | JN6-G6220-00-00 | Primary Sliding Sheave | 1   |
| 3       | JN6-G6251-00-00 | Spider                 | 1   |
| 4       | JN6-G6258-00-00 | Roller Collar          | 3   |
| 5       | JN6-G6232-00-00 | Weight 1               | 3   |

News YOU can USE..



## Fuel tank pickup tube parts now available for G14A/16A

**I**ndividual parts are available if needed to replace the fuel pick-up tube, O-ring or hardware. Future parts lists will include this information. For now you get it here, or you can find it in the G16A Parts Catalog, in the Optional Fuel Gauge section, Figure 44.



| Ref No. | Part No.        | Description     | Qty |
|---------|-----------------|-----------------|-----|
| 1       | JN3-F4300-00-00 | Fuel pipe joint | 1   |
| 2       | 93210-228C4-00  | O-ring          | 1   |
| 3       | 98507-05014-00  | Screw, pan head | 4   |
| 4       | 92907-05100-00  | Washer, lock    | 4   |
| 5       | 92907-05600-00  | Washer, plain   | 4   |

## G16A/E and G19E Service Manuals

**"T**he longer we have to work on them, the better the manuals will be." This is always true with new products.

We took the cars apart and put them back together. We did things to them and then asked our service personnel to fix them (Boy, that was fun).

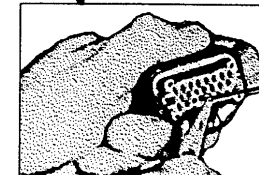
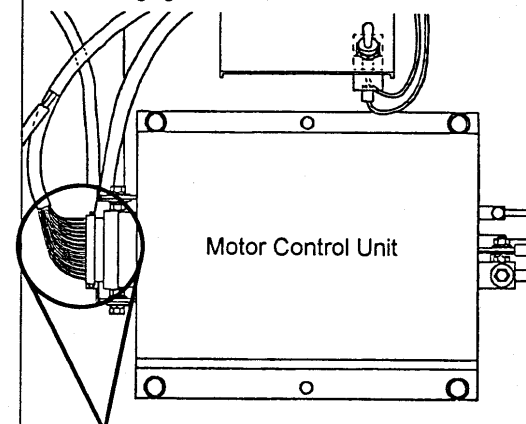
Look for these new Service Manual Supplements by the first of May. They will be provided in a separate binder that will go along side your G14A/E manual. Mr. Ed will provide details to you by letter very soon.

## G19E controller plug

**T**rouble shooting the G19 is an easy proposition if you understand that the control unit performs more functions than any previous model. For instance, the control unit now controls the forward/reverse switching and the reverse buzzer functions. The key to isolating problems is eliminating other components and wiring connections during your troubleshooting tests.

You may need to disconnect the large multiple connector at the control unit to verify circuits.

**CAUTION:** The female terminals inside the wire harness side of the connector are easily damaged by probing with common tester pins. You can easily create new electrical problems in the system by damaging one of these connectors.



Use care when probing the controller connectors. Do not push tester pins into the slots. Instead, carefully touch the ends with a fine wire

attached to a test clip as shown. A little extra time during these tests is well spent in the long run in preventing future problems.

Before reinstalling the connector, check for presence of light mechanical lubricant in the connectors. If dry, lubricate the plug terminals and pins with STONER E805 Lubricant (800-227-5538) or equivalent.

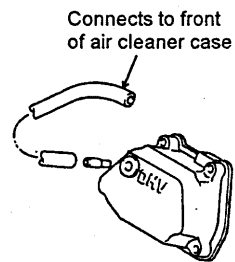
News YOU can USE..



## Hose clamps added to G16A engine breather hose

**W**e added two hose clamps to the breather hose that connects the valve cover to the front side of the new air cleaner case.

The purpose of the hose is to allow the engine to breathe and direct any crankcase fumes back into the engine, via the air cleaner case.

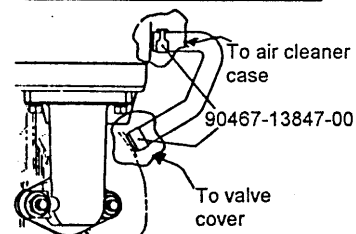


We noticed that the hose is a snug fit anyway, but we feel the clamps are good insurance. Someone may think that a hose without a clamp must not be that important, which is certainly *not* the case. If the hose is not connected, two bad things happen. The engine breathes into the environment. And, our engine gets a gulp of unfiltered air from the hole opened up in the air cleaner case hose fitting. Both situations are bad news.

Several early production G16A cars (JN3-000101~006700) were designed, produced and delivered without the hose clamps. Cars from JN3-006701 have the clamps installed.

*It is not necessary to run out and add the hose clamps to cars you have already delivered, or add them to current vehicles you may have.* Warranty repair or update is not required. However, during future service we recommend that you update those cars by adding the hose clamps.

| Part Number    | Description |
|----------------|-------------|
| 90464-13847-00 | Clamp       |



## Warranty parts; Tag 'em or trash 'em

**I**t takes time for you to locate warranty claim parts, box them up and get them to the Post Office. Once they get here, they are extremely valuable to us in showing our engineers how a part failed. They say a picture is worth a thousand words...You can just imagine what an actual failed part can do.

The most critical component of a sample part, however, is the warranty parts tag. It tells us many things vital to our investigation. The serial number alone tells us when the car was produced, sold, which batch the part came in so we know when it was made, etc. The rounds/hours on the car tell us how the part held up compared to our test units...We could go on and on. What's important to you is that without the tag the warranty request may not get paid. It is not necessary to tag individual parts from the same claim. Just secure all the parts for a single claim in one bag and tag the bag!

Warranty parts tags are free so order some today.

LIT-13795-00-92 G/C Warr Parts Tag 25 pack

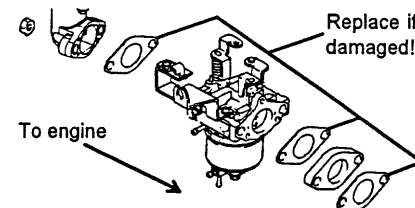
## G16A Fuel system changes

**T**he air cleaner case is much simpler to service and acts as a carburetor tamper protector.

The carburetor fuel float height is fixed and needs no adjustment, ever.

The pilot screw is set at 1½ turns out. The jet sizes are different from G14A.

The carburetor body uses gaskets on both sides, as well as another one between the phenolic block and the cylinder head. If you remove the air box assembly for any reason, you release the tension on these gaskets, so check them carefully and replace if damaged!



GOLF CAR

DATE: 10/10/95

BUL: G95-005

## G14A/E

### ACCELERATOR STOP BOLT ADJUSTMENT

#### INTRODUCTION

**PROBLEM:** Some units were shipped from the factory with an incorrect adjustment of the accelerator pedal stop bolt. This misadjustment may cause premature failure of the stop switch. If the stop switch does fail, the vehicle will not run.

**REMEDY:** During predelivery or routine service of any affected unit, inspect the stop bolt height adjustment.

If readjustment is necessary, use the revised stop bolt height specification in this bulletin rather than the one in the service manual.

#### DEALER ACTION SUMMARY

**INSPECT:** All affected units.

**ADJUST:** Any affected unit that has an improper accelerator stop bolt adjustment.

Accelerator stop bolt adjustment may also require adjustment of the following:

- Brake Pedal Freeplay
- Parking Brake Release Timing
- Throttle cable 1 (G14A)
- Throttle Position Sensor (G14E)

Refer to the G14A/E Service Manual for complete service instructions. The Service Information section of this bulletin covers the key adjustment points.

**WARRANTY:** Service Per Bulletin

Submit a separate warranty request for any units that require stop switch replacement or any other parts.

#### AFFECTED UNITS

G14AM JN3-100101 ~ 199999  
G14AP JN3-200101 ~ 202800

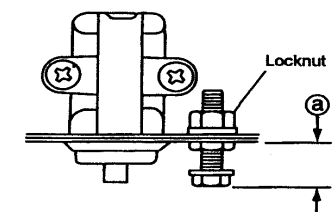
G14EM JN4-100101 ~ 199999  
G14EP JN4-200101 ~ 201200

#### SERVICE INFORMATION

1. Turn the main switch to "OFF," and remove the key.

2. Remove the service lid to gain access to the brake and accelerator pedal adjustments.

3. Adjust the accelerator stop bolt height. A small machinist's ruler works well for getting under the accelerator bracket to take the measurement.



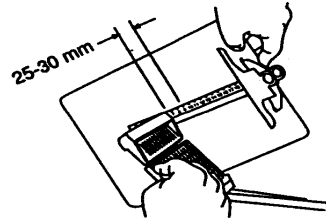
Accelerator pedal stop bolt height **a**  
18.00 ~ 18.4mm (0.70 ~ 0.72 in)

PAGE 1 OF 3

## SERVICE INFORMATION (continued)

4. Check the brake pedal freeplay. Adjust if out of specification.

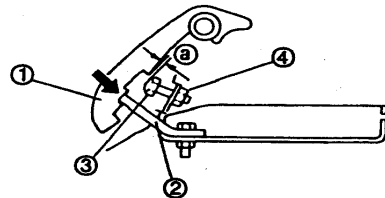
Brake Pedal Free Play:  
25 ~ 30mm (0.98 ~ 1.18 in)



5. Check the parking brake release gap. Adjust if out of specification

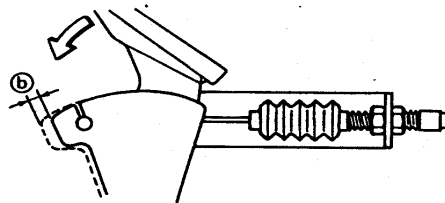
- Apply the brake, hook the stopper ② at the second notch on the ratchet ①.
- Adjust freeplay (release timing) ③

Freeplay (Release Timing) ③  
1.0mm (0.04 in)



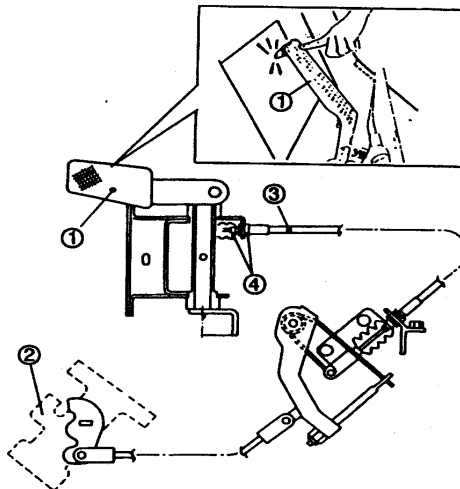
6. Check throttle cable 1 freeplay. Adjust if out of specification.

Freeplay ( Throttle Cable 1) ①  
0.2 ~ 0.5mm (0.008 ~ 0.020 in)



7. Check throttle cable 1 adjustment (G14A).

- Depress the accelerator pedal ① to the floor.
- While keeping the pedal in this position, check that the throttle valve in the carburetor ② is fully open.
- If not, adjust throttle cable 1 ③ by turning the adjusting nuts ④ in or out.



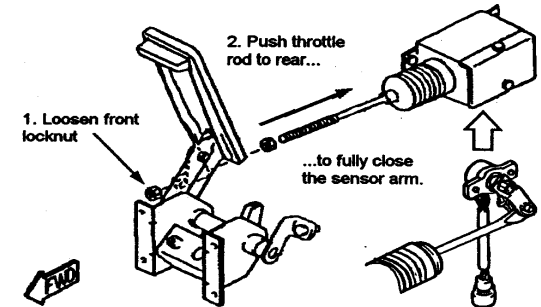
PAGE 2 OF 3

© 1995 YAMAHA MOTOR MANUFACTURING CORPORATION of AMERICA

## SERVICE INFORMATION (continued)

8. Throttle Rod Adjustment (G14E)

- Loosen the front locknut that secures the accelerator rod to the pedal. Push the throttle rod to the rear to fully close the throttle position sensor.
- Retighten the locknuts. Be careful not to twist the accelerator rod when tightening.
- Check for smooth operation of the accelerator pedal. If binding occurs, loosen accelerator rod locknuts and repeat step 1 and 2 above.



## WARRANTY INFORMATION

The warranty labor allowance for this procedure is 0.3 hours. The problem code is 90ME.

To receive credit submit a warranty request following standard Service-Per-Bulletin procedures.

ROUTE TO:



PAGE 3 OF 3

© 1995 YAMAHA MOTOR MANUFACTURING CORPORATION of AMERICA

|          |                |              |
|----------|----------------|--------------|
| GOLF CAR | DATE: 10/10/95 | BUL: G95-007 |
|----------|----------------|--------------|

## G14A

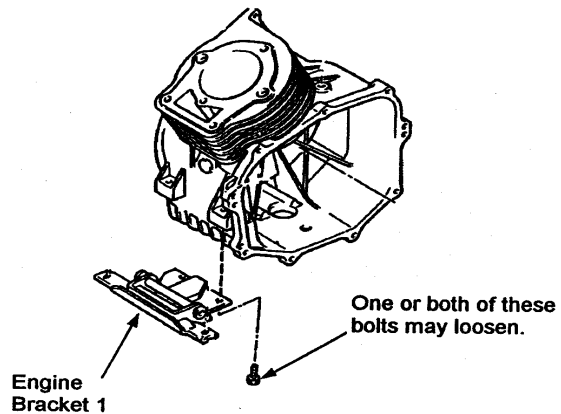
### LOOSE ENGINE BRACKET 1

#### INTRODUCTION

**PROBLEM:** Some units may experience repeat starter generator belt looseness and excessive engine vibration.

**REMEDY:** Install flat washers under the bolts, apply locking agent to the threads and retorque to specifications.

**CAUSE:** The bolts that hold the engine bracket 1 to the engine case may loosen.



#### DEALER ACTION SUMMARY

Perform the service procedure in this bulletin on all units that experience repeat starter generator belt looseness or excessive engine vibration.

File standard warranty for this procedure.

Refer to the Service Procedure section of this bulletin.

**NOTE:** This bulletin applies only to the units in the affected range shown below. Later units were modified at the factory.

#### AFFECTED UNITS

|       |                     |       |                     |
|-------|---------------------|-------|---------------------|
| G14AM | JN3-100101 ~ 199999 | G14AP | JN3-200101 ~ 201299 |
|-------|---------------------|-------|---------------------|

PAGE 1 OF 2

© 1995 YAMAHA MOTOR MANUFACTURING CORPORATION of AMERICA

#### SERVICE INFORMATION

1. Gain access to the engine bracket bolts using one of the two following methods:

a. Drill out the rivets in the lower pan to gain direct access to the bolts. When repairs are complete, reinstall the lower pan with new rivets.

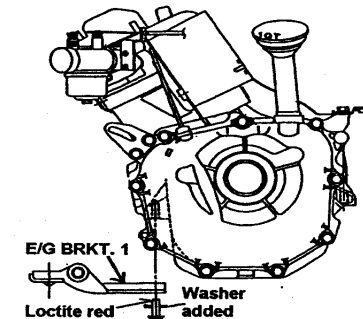
b. Remove the starter generator, the front engine mounts and lift the engine up to gain access to the bolts.

2. Remove the 2 bolts that thread into the crankcase. If missing, replace them with new ones.

3. Install standard 10mm flat washers under each bolt.

4. Apply red Loctite™ to the threads and torque to specification.

5. Reassemble using the reverse steps of "a" or "b" above.



Engine Bracket 1 bolt torque:  
25 ft.lb.(300~400 kgf-cm)

#### PARTS INFORMATION

| Part Number            | Description        | Remarks   | Dealer Cost |
|------------------------|--------------------|---|-------------|
| 90201-118K4-00         | Washer, flat       | Or use any 10mm flat washer with minimum thickness of 1.5mm | \$1.07      |
| 90267-40131            | Rivet, blind       | For lower pan if removed                                    | \$0.45      |
| Loctite™ Thread Locker | Loctite, 262 (red) | Stud and bearing mount (or equivalent)                      | Local       |

#### WARRANTY INFORMATION

Submit a normal warranty request. The Problem Code is 70.

The warranty allowance for this procedure is 0.5 hours. Use Job Code 6038.

PAGE 2 OF 2

ROUTE TO:

|   |   |  |   |
|---|---|--|---|
| <input checked="" type="checkbox"/> SERVICE | <input checked="" type="checkbox"/> PARTS | <input checked="" type="checkbox"/> WARRANTY | <input checked="" type="checkbox"/> SALES |
|---|---|--|---|

© 1995 YAMAHA MOTOR MANUFACTURING CORPORATION of AMERICA