



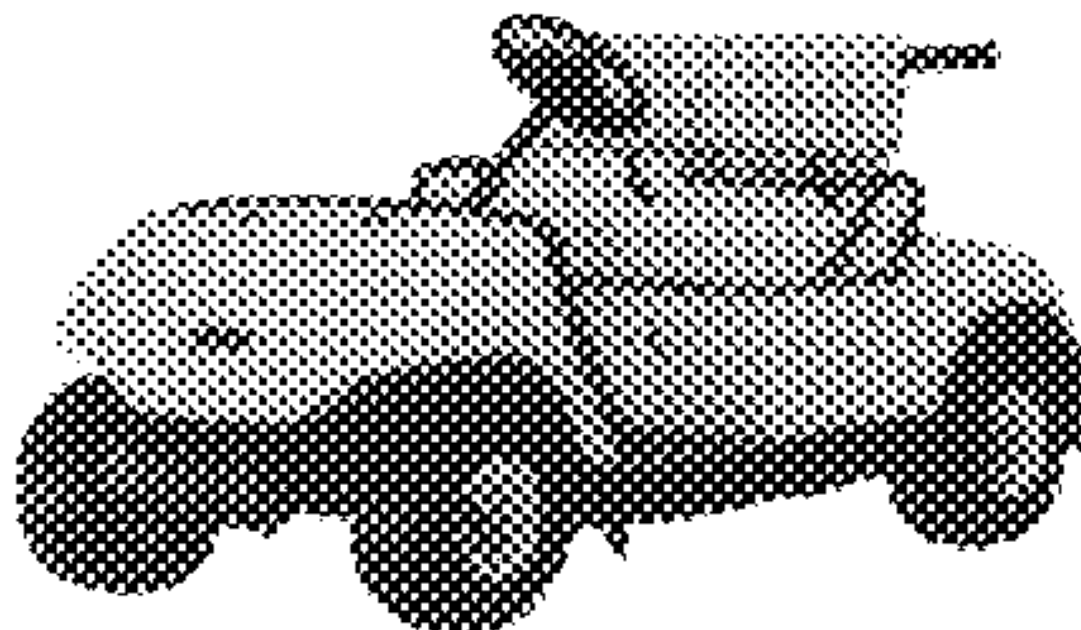
PARTS CATALOGUE

MODEL YEAR 1995

G14-EM (JN41)

Frame Serial No.	JN4-100101 and following
Engine Serial No.	---

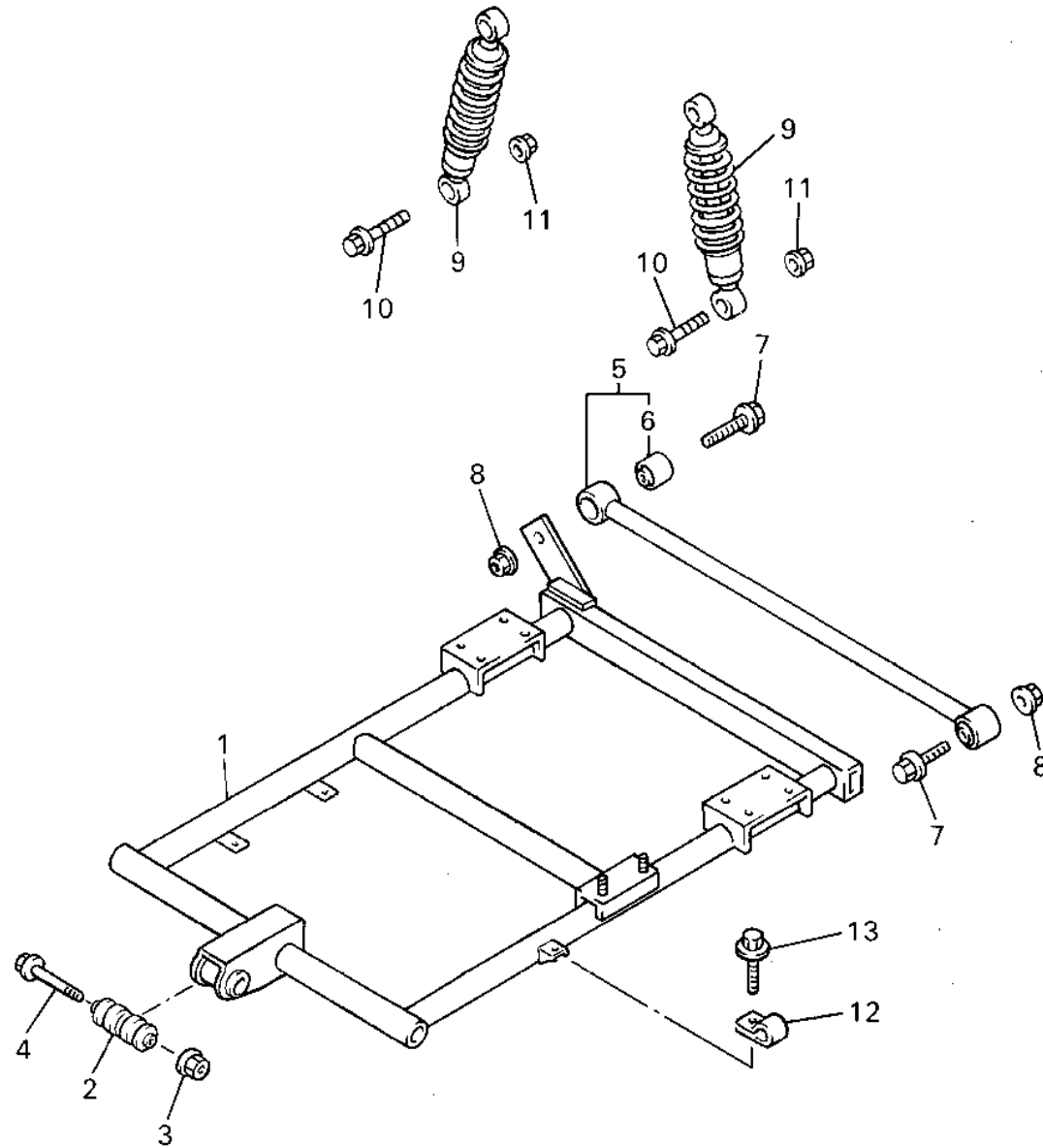
PUBLICATION	PART NUMBER	REMARKS
OWNER'S MANUAL	LIT-19626-00-70	ORDER FROM YMMC
ASSEMBLY	LIT-19666-00-70	ORDER FROM YMMC
SERVICE MANUAL	LIT-19616-00-70	ORDER FROM YMMC
COUNTRY CLUB	LIT-1001J-14-95	ORDER FROM YPAD



YAMAHA
ONLINE
 Parts & Accessories



REAR ARM - SUSPENSION

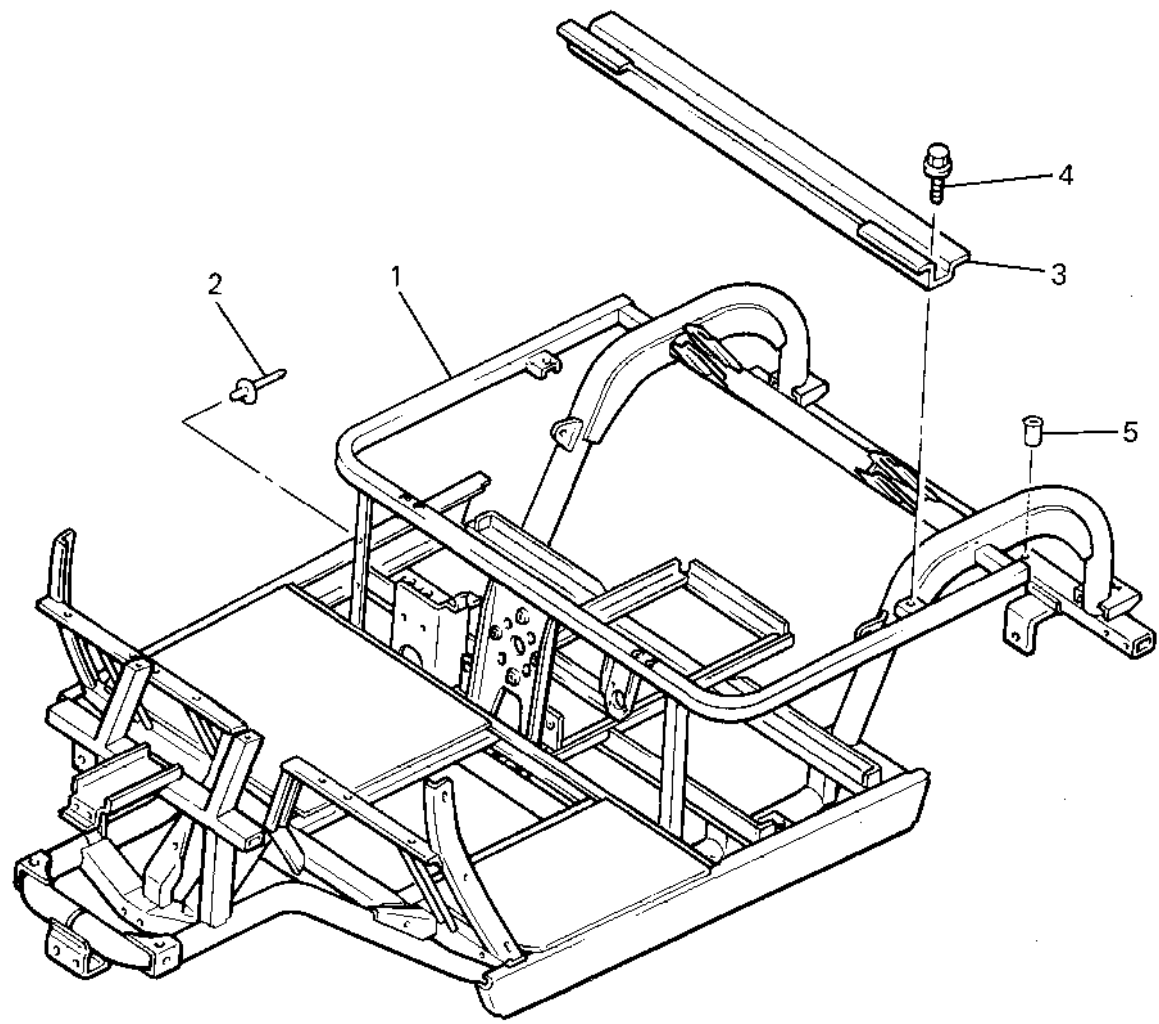


Ref. No.	Part Number	Description	Qty	Remarks
1	JN4-F2110-00-00	REAR ARM COMP.	1	
2	JN3-22123-00-00	BUSH 1	1	
3	95617-12200-00	NUT, SELF-LOCKING	1	
4	90105-12743-00	BOLT, WASHER BASED	1	
5	JF2-22172-00-00	ARM, REAR 2	1	
6	J50-22124-00-00	. BUSH 2	2	
7	95817-12065-00	BOLT, FLANGE	2	
8	95617-12200-00	NUT, SELF-LOCKING	2	
9	JN4-F2210-00-00	SHOCK ABSORBER	2	
10	95817-10055-00	BOLT, FLANGE	4	
11	95617-10200-00	NUT, SELF-LOCKING	4	
12	90462-20186-00	CLAMP	2	
13	95807-06016-00	BOLT, FLANGE	2	



JN4100-5010

FRAME

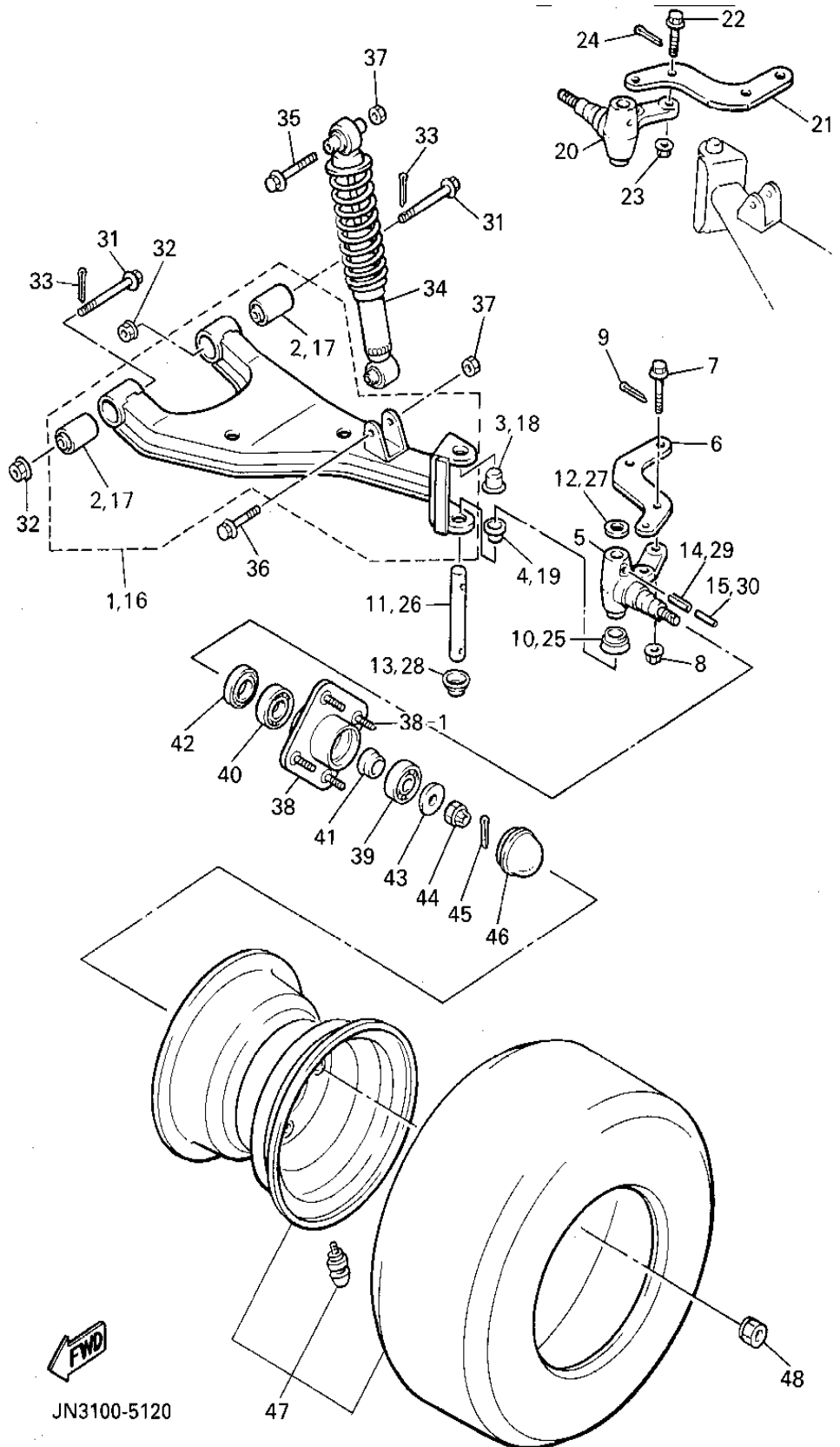


Ref. No.	Part Number	Description	Qty	Remarks
1	JN4-F2501-00-00	FRAME COMP.	1	
2	90267-48120-00	RIVET, BLIND	2	
3	JN3-F254R-00-00	SUPPORT, BODY MOUNTING .	1	
4	95817-08016-00	BOLT, FLANGE	2	
5	90179-06874-00	NUT	2	



JN4100-5020

FRONT SUSPENSION - WHEEL



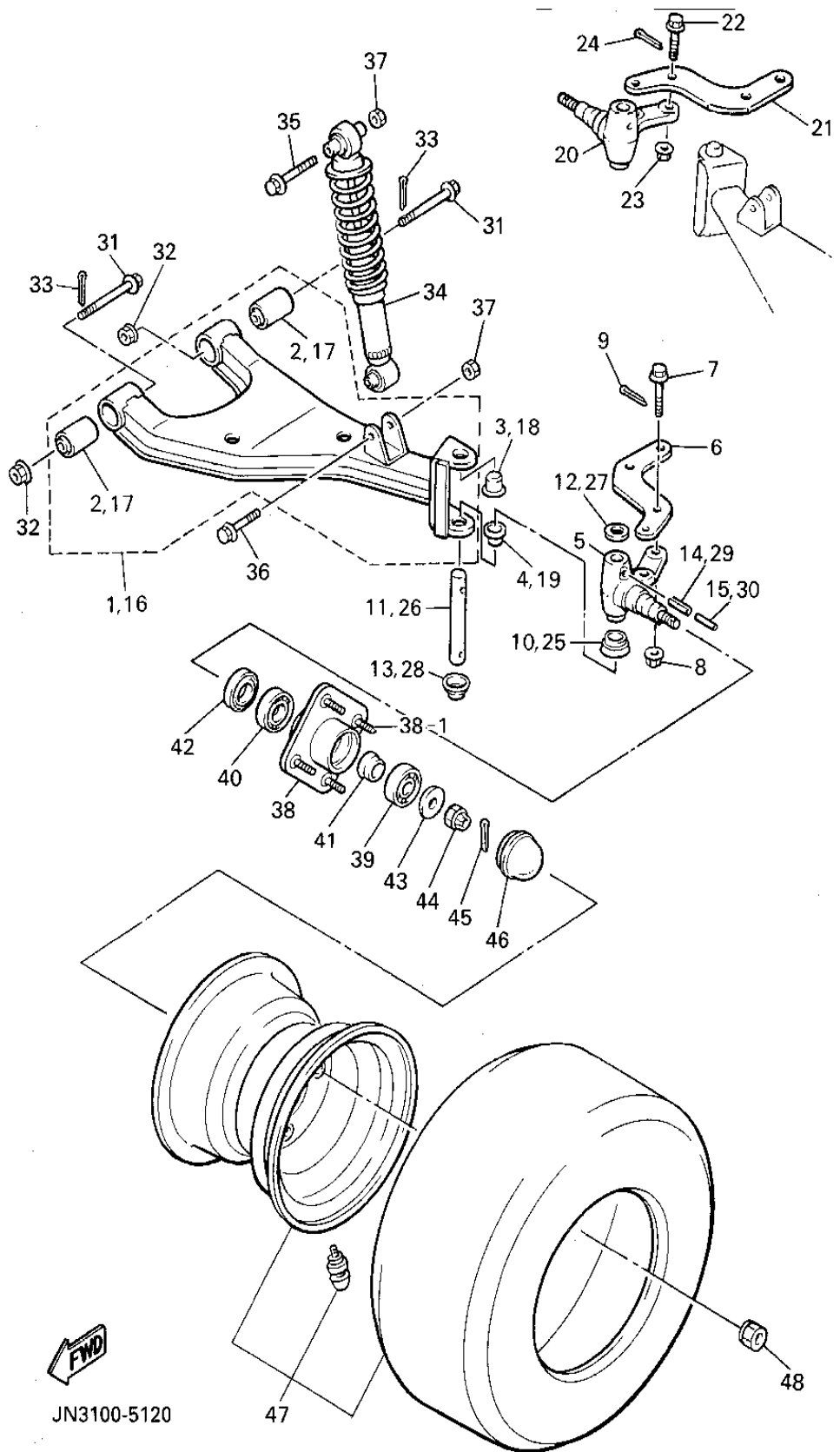
Ref. No.	Part Number	Description	Qty	Remarks
1	JN3-F3570-00-00	FRONT LOWER ARM COMP. (LEFT)	1	
2	J38-23526-00-00	. BUSH	2	
3	90338-17225-00	PLUG	1	
4	90386-15139-00	BUSH	1	
5	J38-23511-01-00	KNUCKLE, STEERING 1	1	
6	JN3-F3512-00-00	ARM, KNUCKLE	1	
7	90105-10360-00	BOLT, FLANGE	2	
8	95617-10200-00	NUT, SELF-LOCKING	2	
9	91401-25020-00	PIN, COTTER	2	
10	J38-23527-00-00	SEAL, DUST	1	
11	J38-23516-00-00	PIN, STEERING KNUCKLE	1	
12	90201-156J2-00	WASHER, PLAIN	1	
13	J38-23528-00-00	SEAL, DUST	1	
14	91609-60028-00	PIN, SPRING	1	
15	91609-35028-00	PIN, SPRING	1	
16	JN3-F3580-00-00	FRONT LOWER ARM COMP. (RIGHT)	1	
17	J38-23526-00-00	. BUSH	2	
18	90338-17225-00	PLUG	1	
19	90386-15139-00	BUSH	1	
20	J38-23521-01-00	KNUCKLE, STEERING 2	1	
21	JN3-F3512-00-00	ARM, KNUCKLE	1	
22	90105-10360-00	BOLT, FLANGE	2	
23	95617-10200-00	NUT, SELF-LOCKING	2	
24	91401-25020-00	PIN, COTTER	2	
25	J38-23527-00-00	SEAL, DUST	1	
26	J38-23516-00-00	PIN, STEERING KNUCKLE	1	
27	90201-156J2-00	WASHER, PLAIN	1	

CONTINUED ON NEXT FRAME ►



JN3100-5120

FRONT SUSPENSION - WHEEL

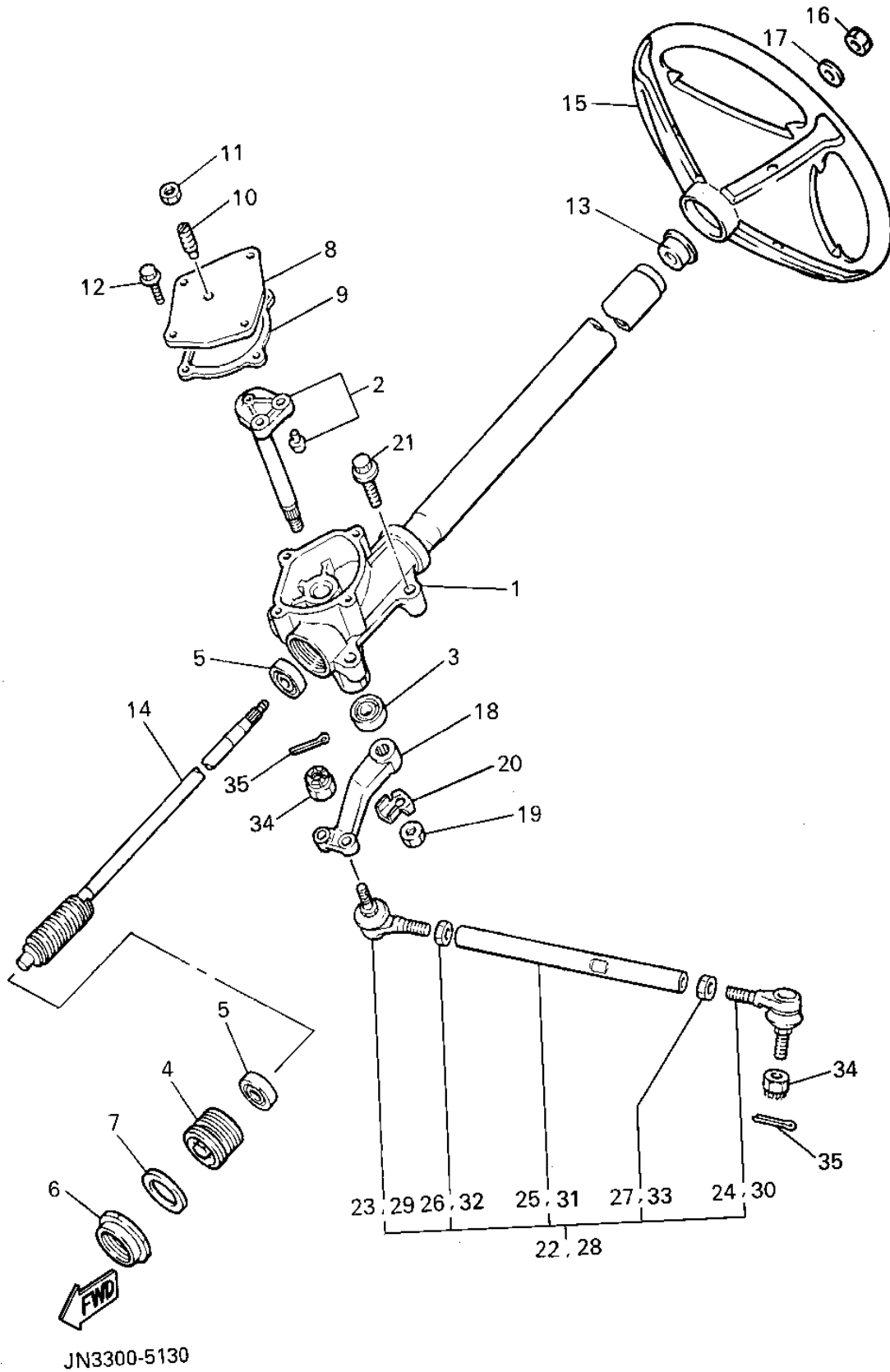


Ref. No.	Part Number	Description	Qty	Remarks
28	J38-23528-00-00	SEAL, DUST	1	
29	91609-60028-00	PIN, SPRING	1	
30	91609-35028-00	PIN, SPRING	1	
31	90105-10357-00	BOLT, FLANGE	4	
32	95617-10200-00	NUT, SELF-LOCKING	4	
33	91401-25020-00	PIN, COTTER	4	
34	JN4-F3350-00-00	CUSHION ASSEMBLY. (JN4-F3350-10-00)	2	
35	95807-10065-00	BOLT, FLANGE	2	
36	95817-10050-00	BOLT, FLANGE	2	
37	95617-10200-00	NUT, SELF-LOCKING	4	
38	JG5-WF511-00-00	HUB	2	
39	93306-204X0-00	BEARING	2	
40	93306-005Y3-00	BEARING	2	
41	90387-241M7-00	COLLAR	2	
42	93102-30083-00	SEAL, OIL	2	
43	90209-32271-00	WASHER	2	
44	95607-14100-00	NUT, U	2	
45	91401-25020-00	PIN, COTTER	2	
46	J17-25118-00-00	COVER, HUB DUST	2	
47	JG5-F5100-30-00	FRONT WHEEL ASSEMBLY (JG5-F5100-30-00)	2	LM
48	90179-12262-00	NUT	8	
38-1	90114-12800-00	. BOLT, RIBBED NECK	8	



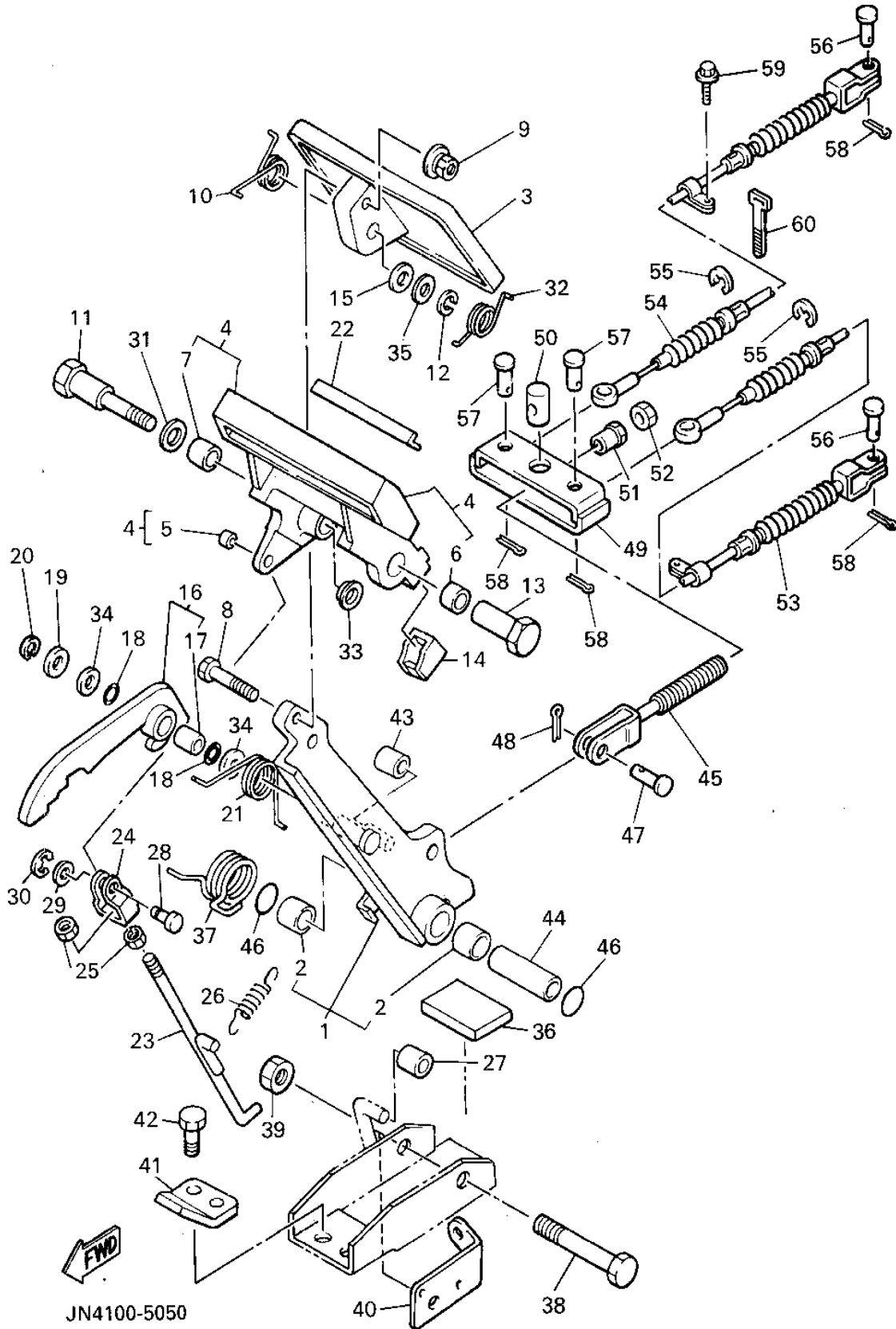
JN3100-5120

STEERING



Ref. No.	Part Number	Description	Qty	Remarks
29	J38-23845-01-00	. JOINT, UNIVERSAL 2	1	
30	J38-23841-01-00	. JOINT, UNIVERSAL 1	1	
31	*---	. FRONT WHEEL ASSEMBLY	1	N/A
32	90170-12054-00	. NUT	1	
33	90170-12055-00	. NUT	1	
34	95617-10200-00	NUT, SELF-LOCKING	4	
35	91401-25020-00	PIN, COTTER	4	
	JN4-PARTS-BO-AR	ASSEMBLY HARDWARE	14	OPTIONAL PART

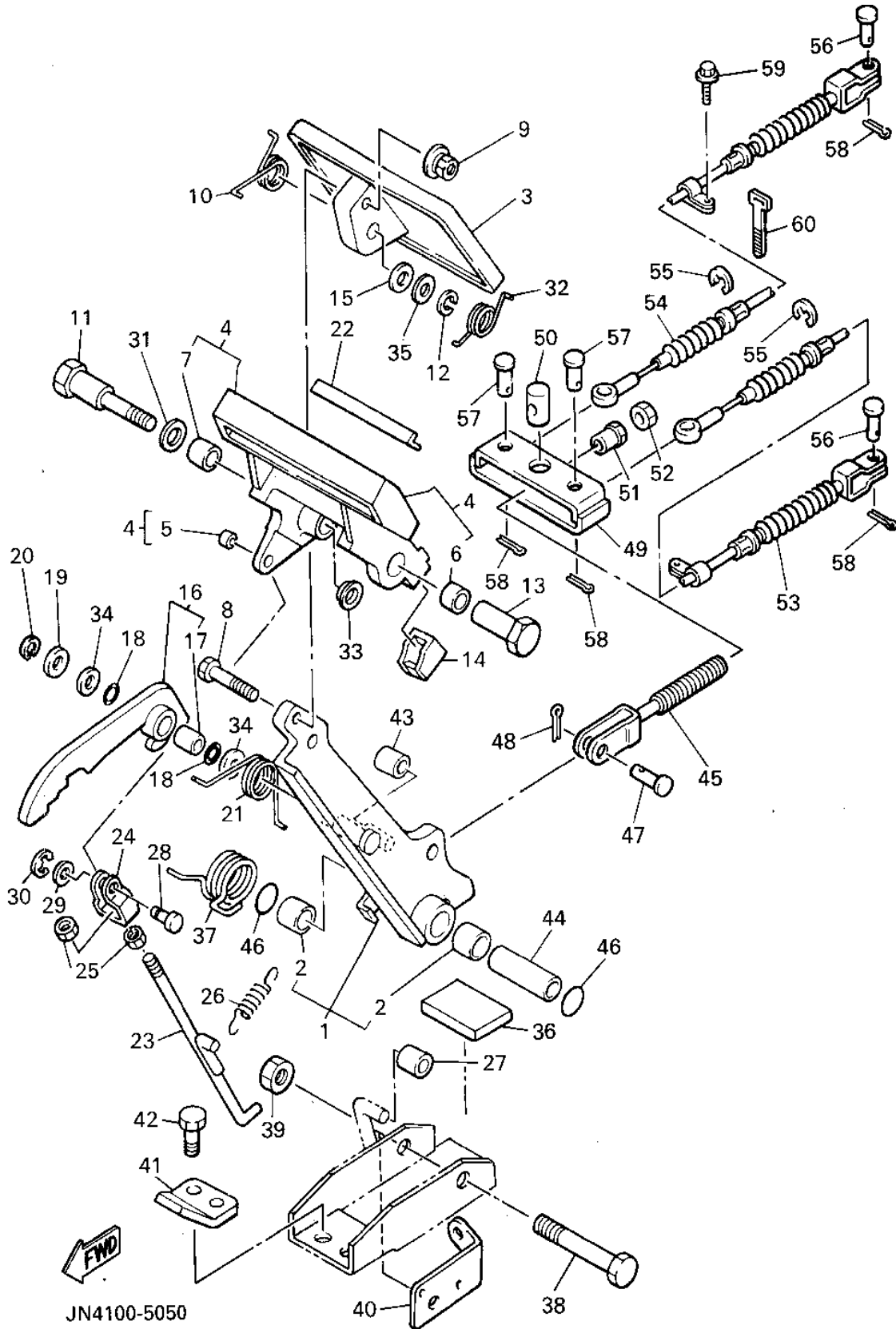
BRAKE



Ref. No.	Part Number	Description	Qty	Remarks
1	J46-27250-03-00	BRAKE ARM COMP	1	
2	90384-14080-00	. BUSH, BIMETAL	2	
3	J10-27211-00-00	PEDAL, BRAKE	1	
4	J17-25670-01-00	PARKING PEDAL COMP.	1	
5	90384-05163-00	. BUSH, BIMETAL	1	
6	90384-12164-00	. BUSH, BIMETAL	1	
7	90380-12051-00	. BUSH, SOLID	1	
8	90101-06555-00	BOLT, HEX.	1	
9	90179-07564-00	NUT	1	
10	90508-23542-00	SPRING, TORSION	1	
11	90109-08669-00	BOLT	1	
12	92907-08100-00	WASHER, SPRING	1	
13	90179-08378-00	NUT	1	
14	J17-25679-01-00	DAMPER	2	
15	92907-08200-00	WASHER	1	
16	J17-W2561-02-00	SECTOR, PARKING BRAKE	1	
17	90384-10162-00	. BUSH, BIMETAL	1	
18	J17-27221-00-00	SEAL, SHAFT	2	
19	92907-10600-00	WASHER, PLATE	1	
20	99080-07600-00	CIRCLIP (E)	1	
21	90508-14548-00	SPRING, TORSION	1	
22	J17-25672-01-00	PAD, PARKING	1	
23	J17-27231-02-00	ROD, BRAKE	1	
24	J17-27232-00-00	END, ROD	1	
25	95307-06700-00	NUT	2	
26	90506-12277-00	SPRING, TENSION	1	
27	J17-25673-00-00	DAMPER, BRAKE	1	
28	J17-27228-00-00	PIN, LINK JOINT	1	
29	92907-05600-00	WASHER, PLATE	1	

CONTINUED ON NEXT FRAME ➤

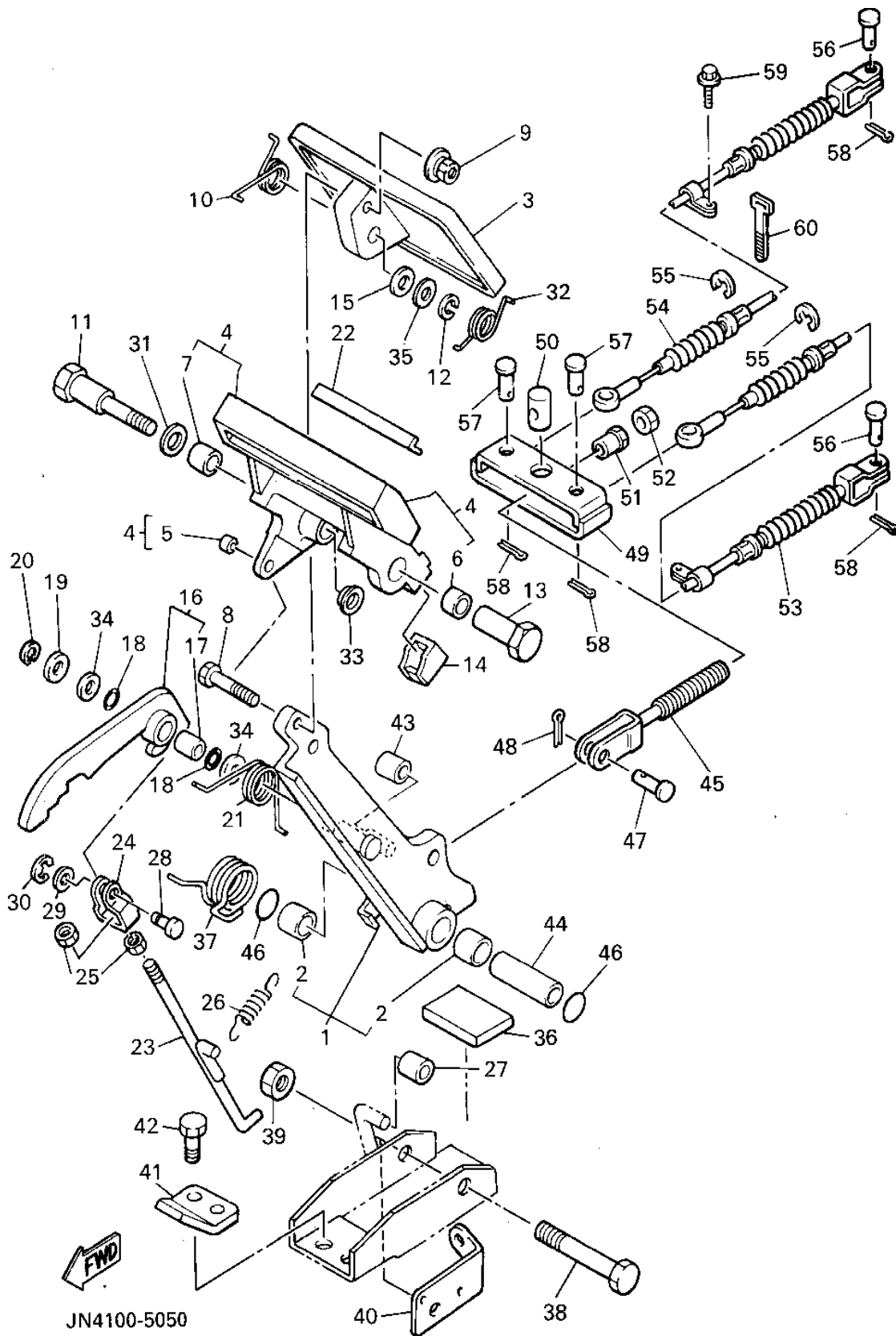
BRAKE



Ref. No.	Part Number	Description	Qty	Remarks
30	99080-04600-00	CIRCLIP (E)	1	
31	90201-123F2-00	WASHER, PLAIN	1	
32	90508-26557-00	SPRING, TORSION	1	
33	90380-12105-00	BUSH, SOLID	1	
34	90201-104G8-00	WASHER, PLAIN	2	
35	J55-27226-00-00	WASHER, LINK	1	
36	JN3-F7245-00-00	PAD, BRAKE PEDAL	1	
37	90508-405A9-00	SPRING, TORSION	1	
38	90101-10447-00	BOLT, HEX.	1	
39	95617-10200-00	NUT, SELF-LOCKING	1	
40	J55-2252M-00-00	BRACKET,	1	
41	J17-27246-00-00	NAIL, BRAKE	1	
42	95807-08020-00	BOLT, FLANGE	2	
43	J17-25673-00-00	DAMPER, BRAKE	1	
44	90387-107F8-00	COLLAR	1	
45	JF2-25685-00-00	ROD	1	
46	93210-132A8-00	O-RING	2	
47	91701-10022-00	PIN	1	
48	91490-30020-00	PIN, COTTER	1	
49	JF2-25681-00-00	EQUALIZER, BRAKE	1	
50	90249-14129-00	PIN	1	
51	90179-08261-00	NUT	1	
52	95307-08700-00	NUT	1	
53	JF2-F6341-10-00	WIRE, BRAKE 1	1	
54	JF2-F6351-10-00	WIRE, BRAKE	1	
55	99001-09600-00	CIRCLIP	4	
56	91701-08018-00	PIN	2	
57	91701-08026-00	PIN	2	
58	91490-25020-00	PIN, COTTER	4	

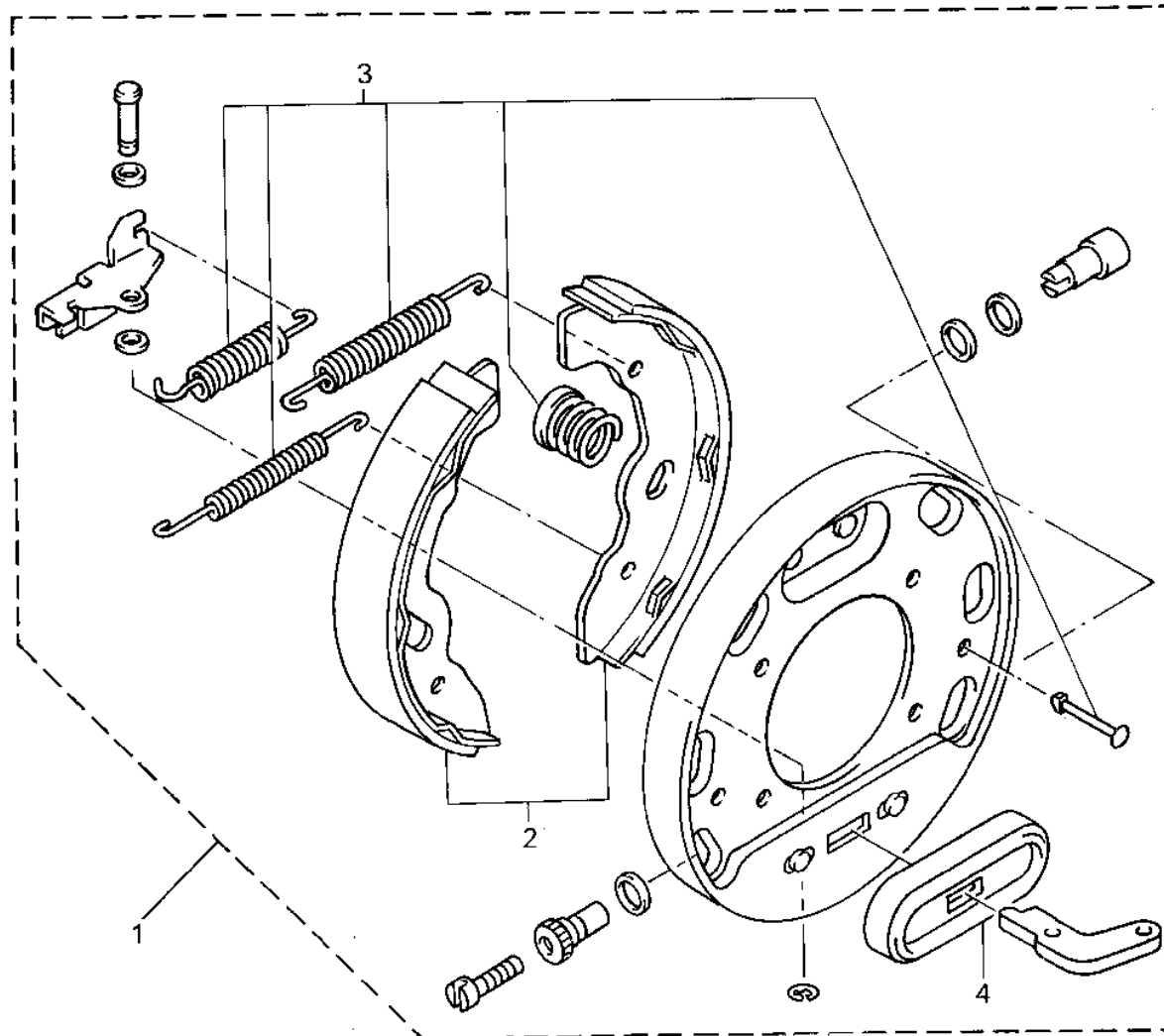
CONTINUED ON NEXT FRAME ➤

BRAKE



Ref. No.	Part Number	Description	Qty	Remarks
59	95807-06016-00	BOLT, FLANGE	2	
60	JF2-82591-00-00	BAND	1	

BRAKE 2

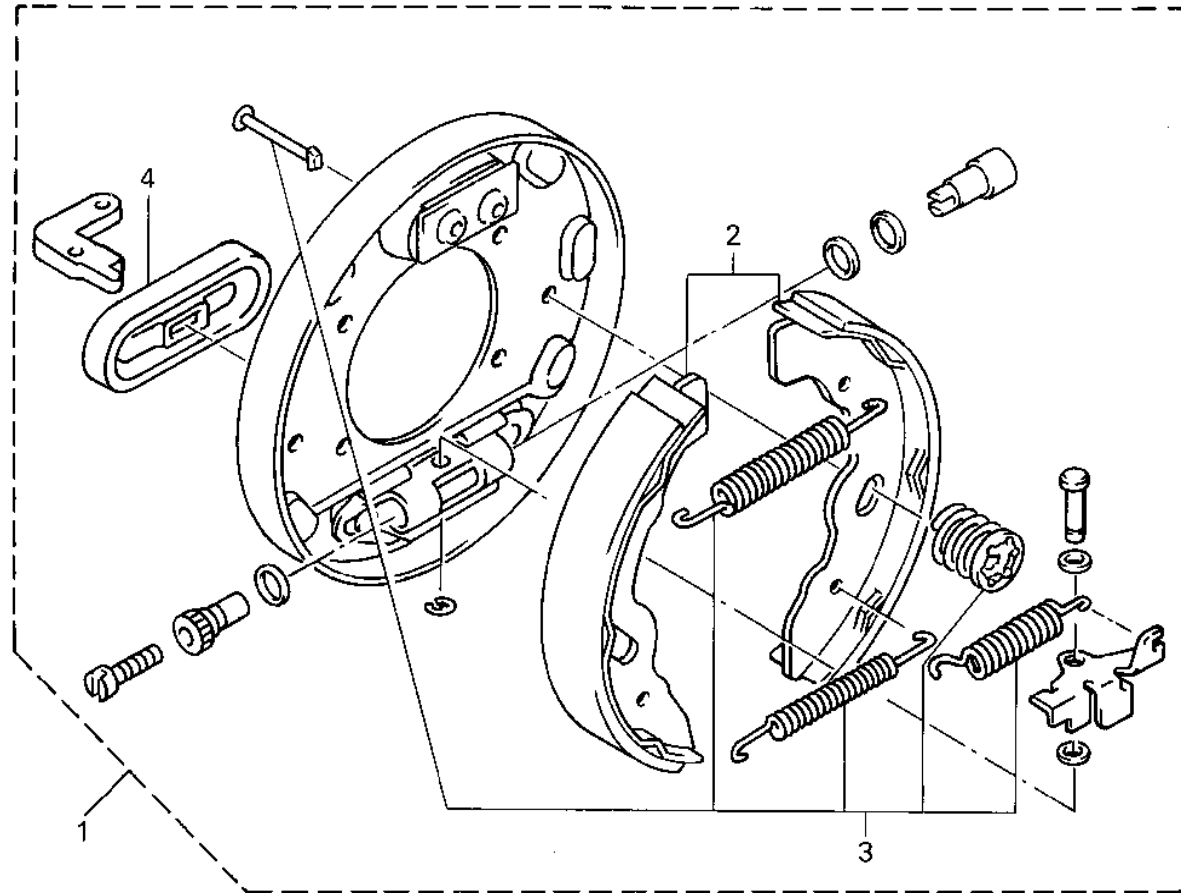


Ref. No.	Part Number	Description	Qty	Remarks
1	JN3-F7280-00-00	BACKING PLATE, (RH)	1	
2	JN3-F5341-00-00	. BRAKE SHOE SET - RT	1	
3	JG5-F819G-00-00	. REPAIR PARTS KIT	1	
4	JG5-F7286-00-00	. COVER, DUST	1	



JN4100-5060

BRAKE 3

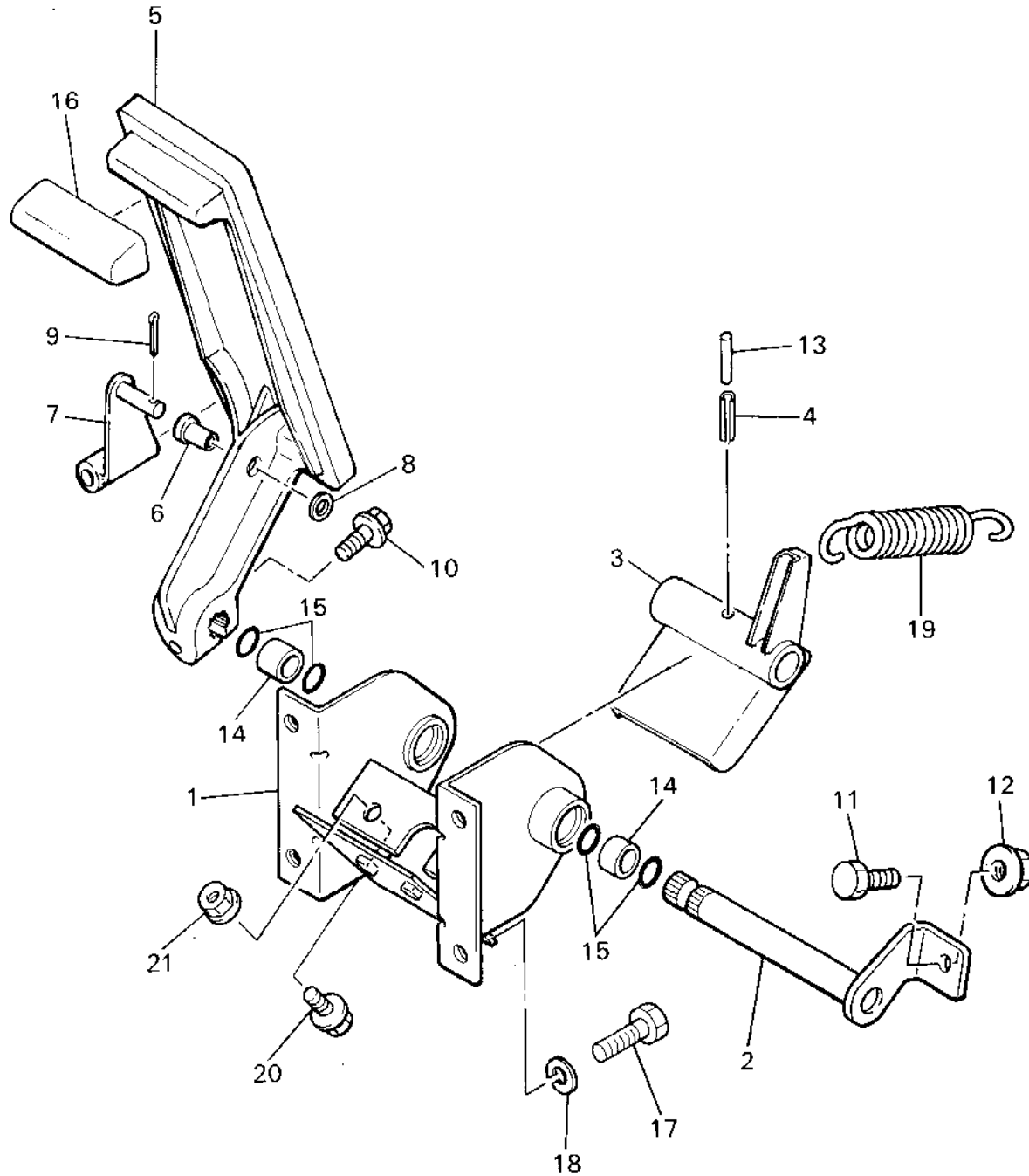


Ref. No.	Part Number	Description	Qty	Remarks
1	JN3-F7290-00-00	BACKING PLATE, LEFT	1	
2	JN3-F5331-00-00	. BRAKE SHOE SET - LT	1	
3	JG5-F819G-00-00	. REPAIR PARTS KIT	1	
4	JG5-F7286-00-00	. COVER, DUST	1	



JN4100-5070

ACCELERATOR

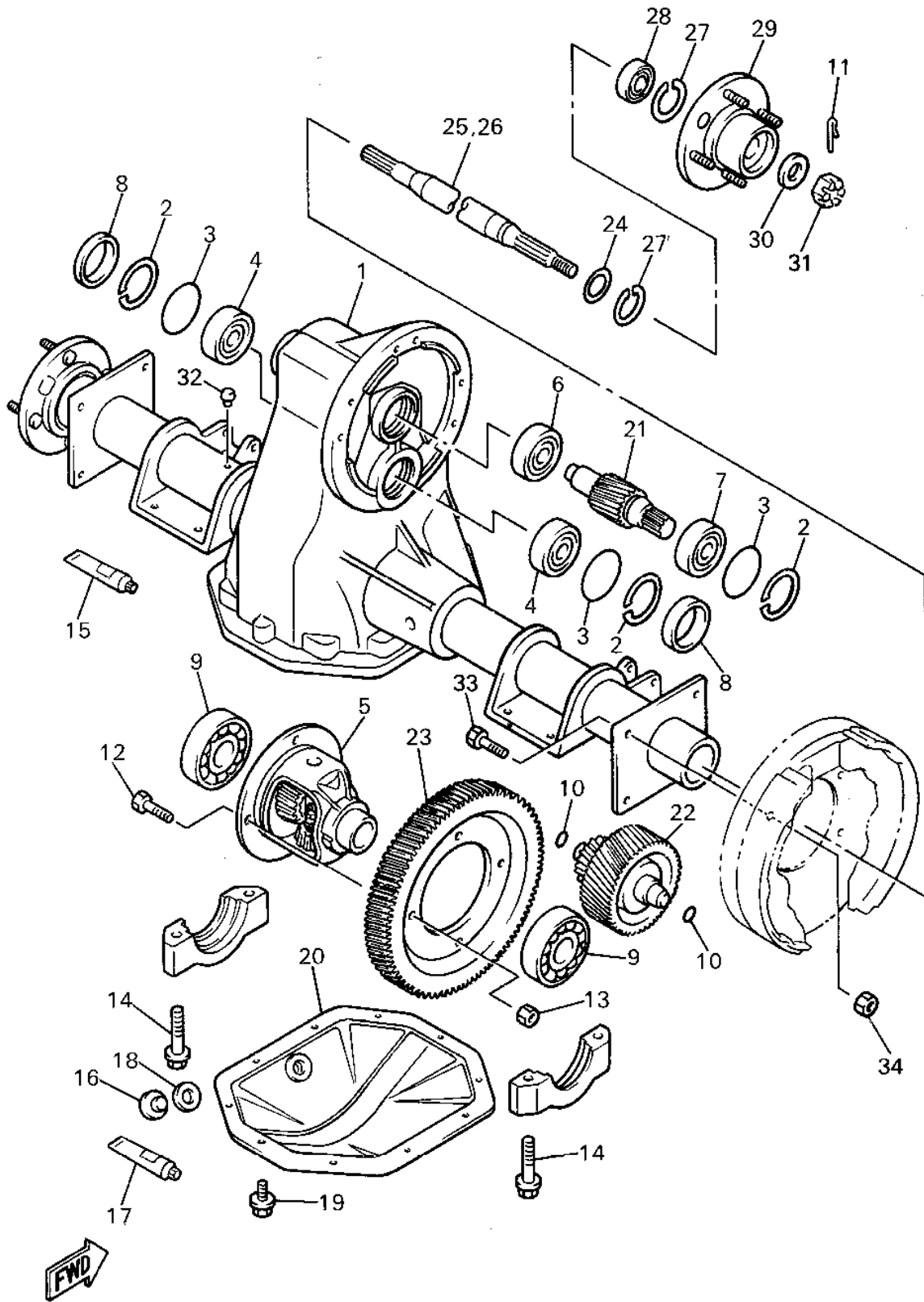


Ref. No.	Part Number	Description	Qty	Remarks
1	JN4-27874-00-00	BRACKET, ACCELERATOR		
		PEDAL	1	
2	J17-27853-01-00	SHAFT, PEDAL	1	
3	J22-27872-00-00	ARM, ACCELERATOR	1	
4	91609-60028-00	PIN, SPRING	1	
5	JF3-27871-00-00	PEDAL, ACCELERATOR	1	
6	90381-06033-00	BUSH, SOLID	1	
7	J14-27815-00-00	LEVER, CRANK	1	
8	92907-06600-00	WASHER, PLATE	1	
9	91490-20025-00	PIN, SPLIT	1	
10	95807-06025-00	BOLT, FLANGE	1	
11	90106-08040-00	BOLT, RD. HEX	1	
12	95707-08500-00	NUT, FLANGE	1	
13	91609-35028-00	PIN, SPRING	1	
14	90384-14080-00	BUSH, BIMETAL	2	
15	93210-14104-00	O-RING	4	
16	JN3-F7854-00-00	COVER, PEDAL	1	
17	97007-06016-00	BOLT	4	
18	92907-06100-00	WASHER, SPRING	4	
19	90506-26282-00	SPRING, TENSION	1	
20	95807-06025-00	BOLT, FLANGE	1	
21	95707-06500-00	NUT, FLANGE	1	



JN4100-5080

TRANSAXLE

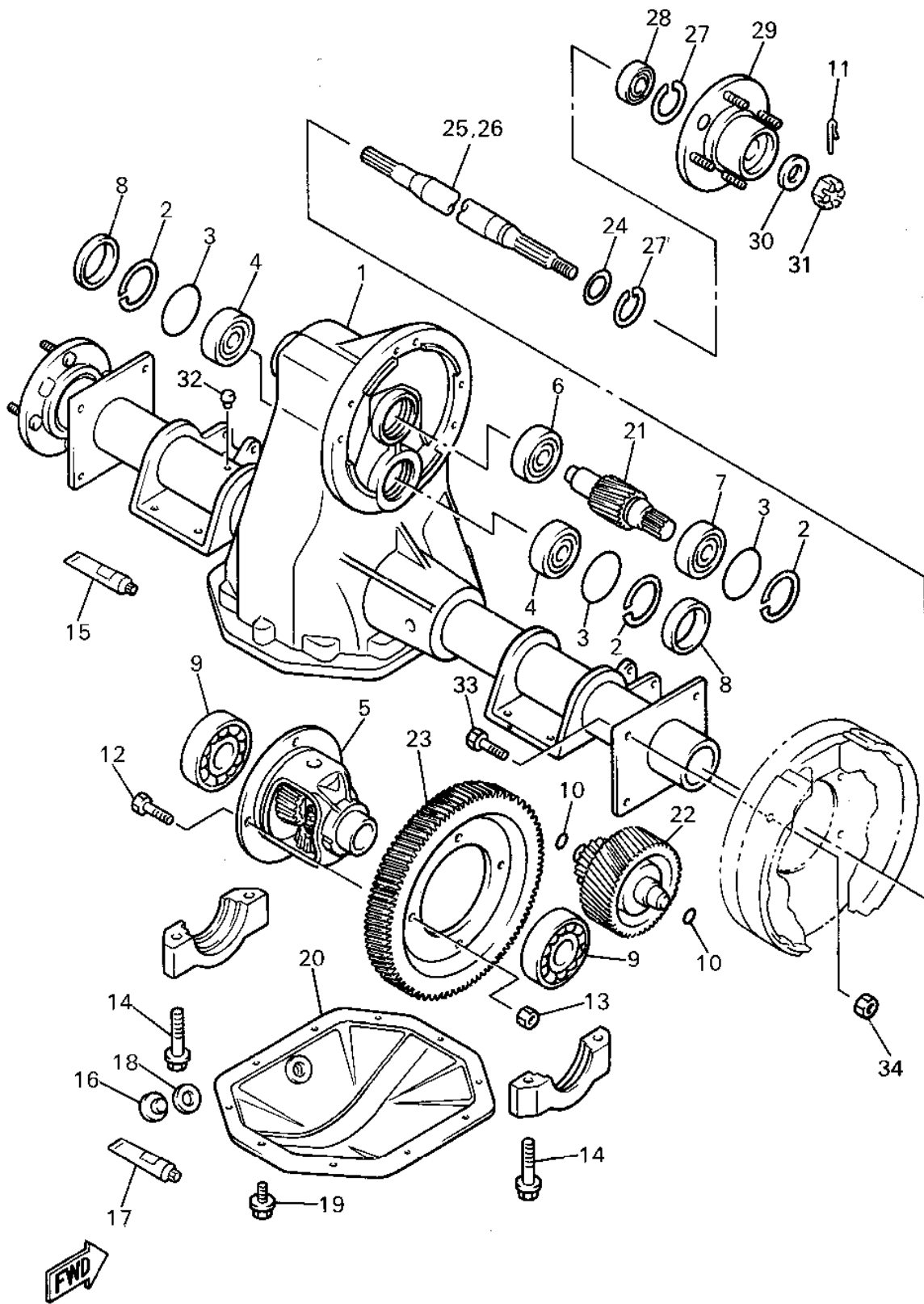


Ref. No.	Part Number	Description	Qty	Remarks
1	JN4-G6310-00-00	CASE ASSEMBLY.	1	
2	93420-50804-00	CIRCLIP	3	
3	93210-478B8-00	RING	3	
4	93306-303Y6-00	BEARING	2	
5	JH7-G6410-00-00	DIFFERENTIAL ASSEMBLY ...	1	
6	93306-203X1-00	BEARING	1	
7	93306-005Y1-00	BEARING	1	
8	JH7-G3396-00-00	PLUG, BLIND	2	
9	93306-007Y0-00	BEARING	2	
10	93210-148B9-00	O-RING	2	
11	91490-25030-00	PIN, COTTER	2	
12	90101-10854-00	BOLT, HEX.	4	
13	90170-10840-00	NUT, HEX.	4	
14	90105-10840-00	BOLT, FLANGE	4	
15	ACC-11001-31-00	SEALANT 2 (JH7-G6137-00-00)	1	
16	JH7-G5341-00-00	PLUG, DRAIN	1	
17	ACC-11001-05-01	SEALANT 1 (JH7-G6136-00-00)	1	
18	90201-158E0-00	WASHER, PLATE	1	
19	90101-08856-00	BOLT, HEX.	10	
20	JH7-G6312-00-00	CASE, TRANSMISSION 2	1	
21	JH7-G6321-00-00	SHAFT, INPUT	1	
22	JH7-G6350-00-00	COUNTER GEAR	1	
23	JH7-G6421-00-00	GEAR, RING	1	
24	93101-24822-00	SEAL, OIL	2	
25	JF3-G6512-00-00	SHAFT, REAR AXLE 2 (RH) ...	1	
26	JF3-G6511-00-00	SHAFT, REAR AXLE 1 (L.H) ..	1	
27	93420-44805-00	CIRCLIP	4	
28	93306-004X5-00	BEARING	2	
29	JH7-G6514-00-00	HUB, REAR AXLE	2	

CONTINUED ON NEXT FRAME ►

JH7110-3220

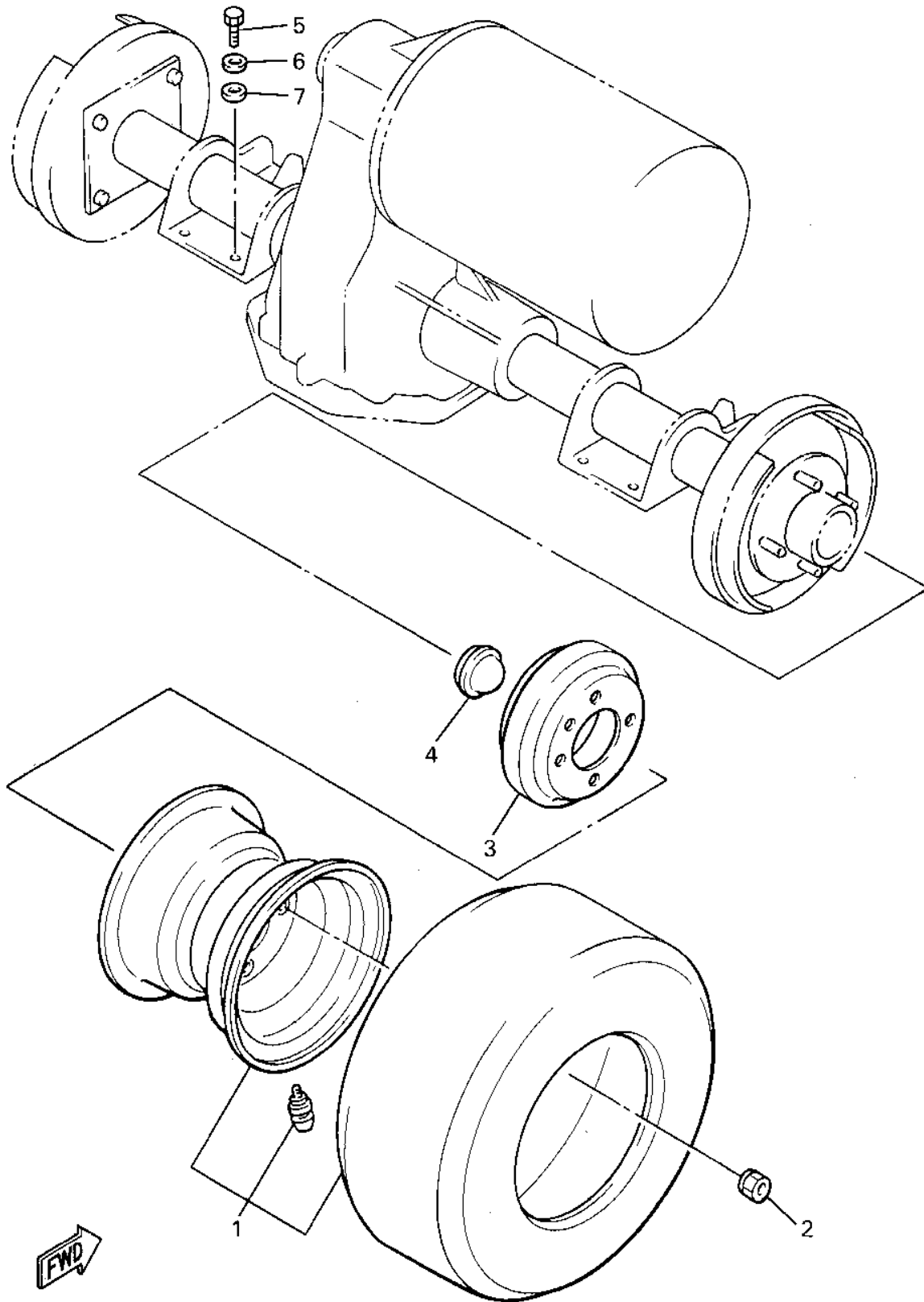
TRANSAXLE



Ref. No.	Part Number	Description	Qty	Remarks
30	90201-198E1-00	WASHER	2	
31	90171-16813-00	NUT	2	
32	JH7-G5619-00-00	CAP	1	
33	90101-08855-00	BOLT, HEX.	8	
34	90170-08841-00	NUT, HEX.	8	

JH7110-3220

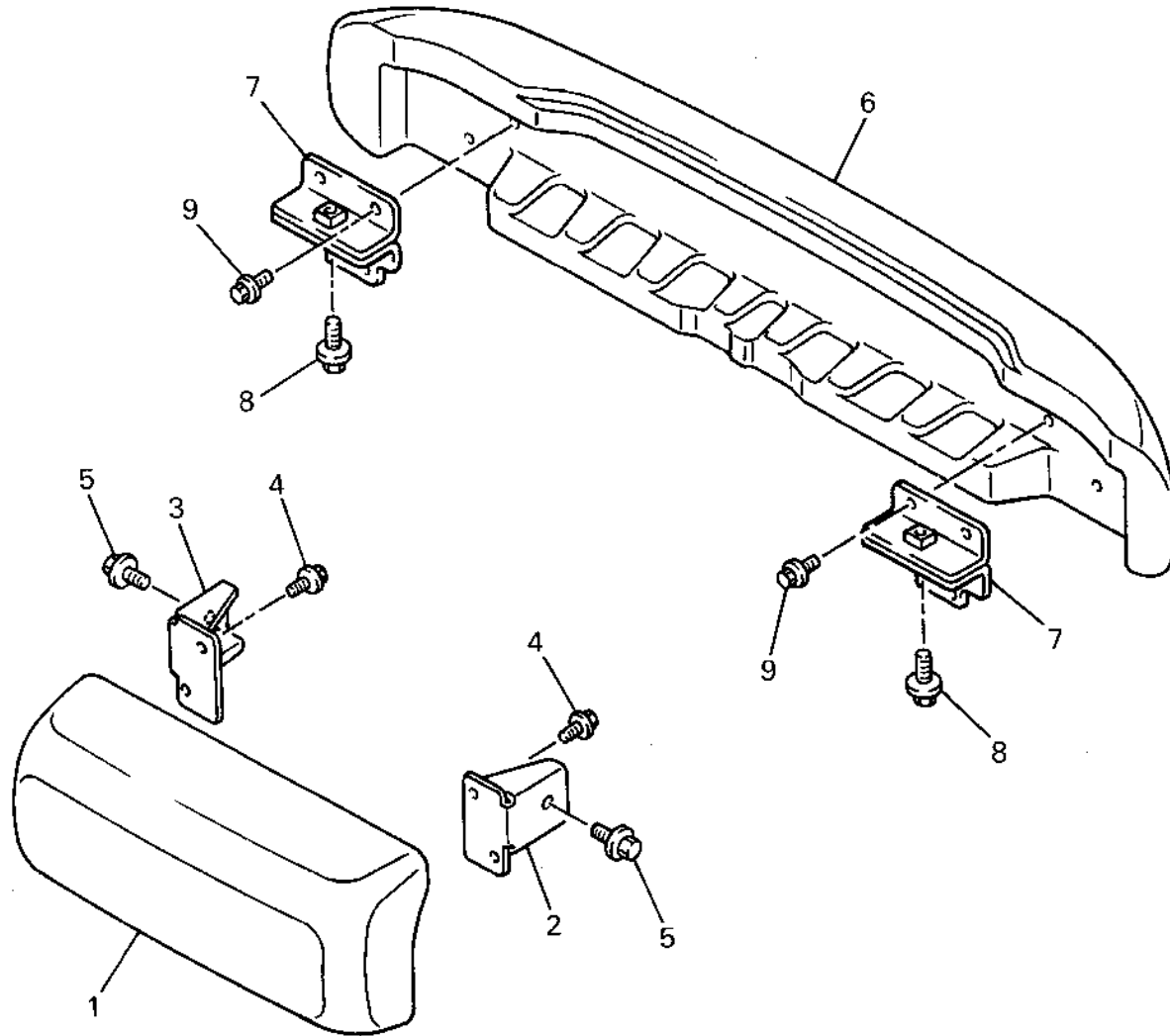
REAR WHEEL



Ref. No.	Part Number	Description	Qty	Remarks
1	JG5-F5100-30-00	FRONT WHEEL ASSEMBLY (JG5-F5100-30-00)	2	LM
2	90179-12262-00	NUT	8	
3	J55-G6521-00-00	DRUM	2	
4	J17-25118-00-00	COVER, HUB DUST	2	
5	97017-10020-00	BOLT	8	
6	92907-10100-00	WASHER, SPRING	8	
7	92907-10600-00	WASHER, PLATE	8	

JN4100-5100

BUMPER

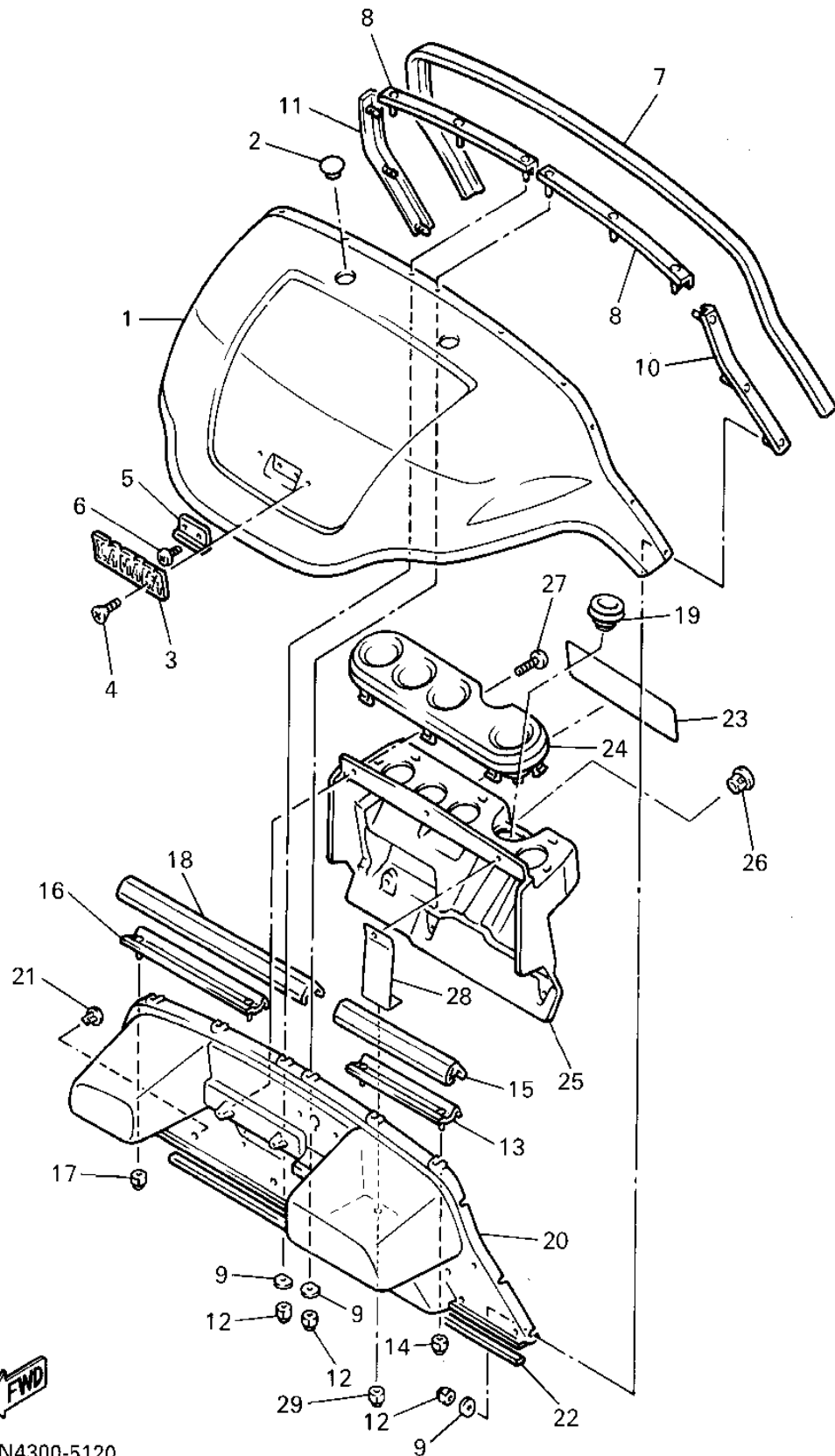


Ref. No.	Part Number	Description	Qty	Remarks
1	JN3-K7510-00-00	FRONT BUMPER COMP.	1	
2	JN3-K8164-00-00	STAY, FR. BUMPER	1	
3	JN3-K8165-00-00	STAY, FR. BUMPER	1	
4	95817-06016-00	BOLT, FLANGE	4	
5	95817-08020-00	BOLT, FLANGE	2	
6	JN3-K7540-00-00	REAR BUMPER	1	
7	JN3-K8174-00-00	STAY, RR. BUMPER	2	
8	95817-10020-00	BOLT, FLANGE	2	
9	95817-06016-00	BOLT, FLANGE	4	
	JN4-PARTS-BO-AR	ASSEMBLY HARDWARE	14	OPTIONAL PART



JN3100-5240

BODY

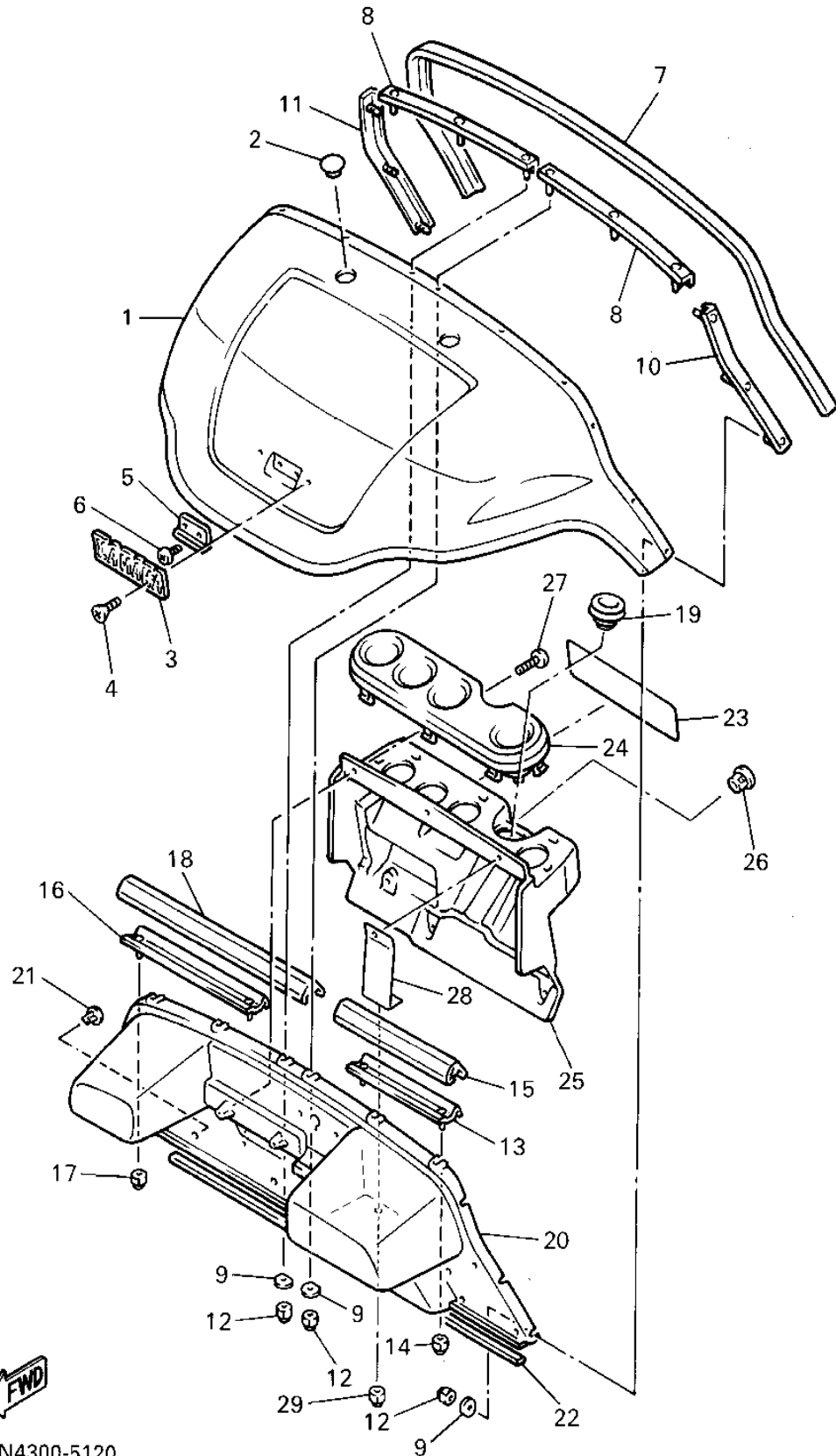


JN4300-5120

Ref. No.	Part Number	Description	Qty	Remarks
1	JN3-K8115-00-00	COWL, FRONT	1	
2	JN3-K818E-00-00	CAP, PROTECTOR	2	
3	J38-24161-00-00	EMBLEM 1	1	
4	90162-04002-00	SCREW, OVAL C	2	
5	JF2-K811G-00-00	BOLT, COWL FITTING	1	
6	98980-06016-00	SCREW, BINDING	2	
7	JF2-K811V-00-00	PROTECTOR,	1	
8	JF2-K8261-00-00	PLATE, BODY PROTECTOR	2	
9	JN3-K8117-00-00	PLATE,	12	
10	JF2-K8262-00-00	PLATE, BODY PROTECTOR	1	
11	JF2-K8263-00-00	PLATE, BODY PROTECTOR	1	
12	95380-06800-00	NUT	12	
13	JN3-K8264-00-00	PLATE, BODY PROTECT 4	1	
14	95607-06200-00	NUT, SELF U-FLANGE	2	
15	JN3-K811W-00-00	PROTECTOR 2	1	
16	JN3-K8265-00-00	PLATE, BODY PROTECT 5	1	
17	95607-06200-00	NUT, SELF U-FLANGE	2	
18	JN3-K811X-00-00	PROTECTOR 3	1	
19	JN3-K8273-00-00	COVER, HOLE	1	
20	JF2-K8114-02-00	PANEL, FRONT	1	
21	90269-08069-00	RIVET	3	
22	JN3-K815G-00-00	SEAL, FRONT STORAGE	1	
23	JN4-K7768-00-00	LABEL, WARNING 8	1	
24	JN3-K835E-00-00	HOLDER, BEVERAGE	1	
25	JN3-K835G-00-00	HOUSING, HOLDER	1	
26	90338-14827-00	PLUG	1	
27	97707-60130-00	SCREW, PAN HEAD	6	
28	JN3-K8182-00-00	PLATE 2	1	
29	95607-06200-00	NUT, SELF U-FLANGE	1	

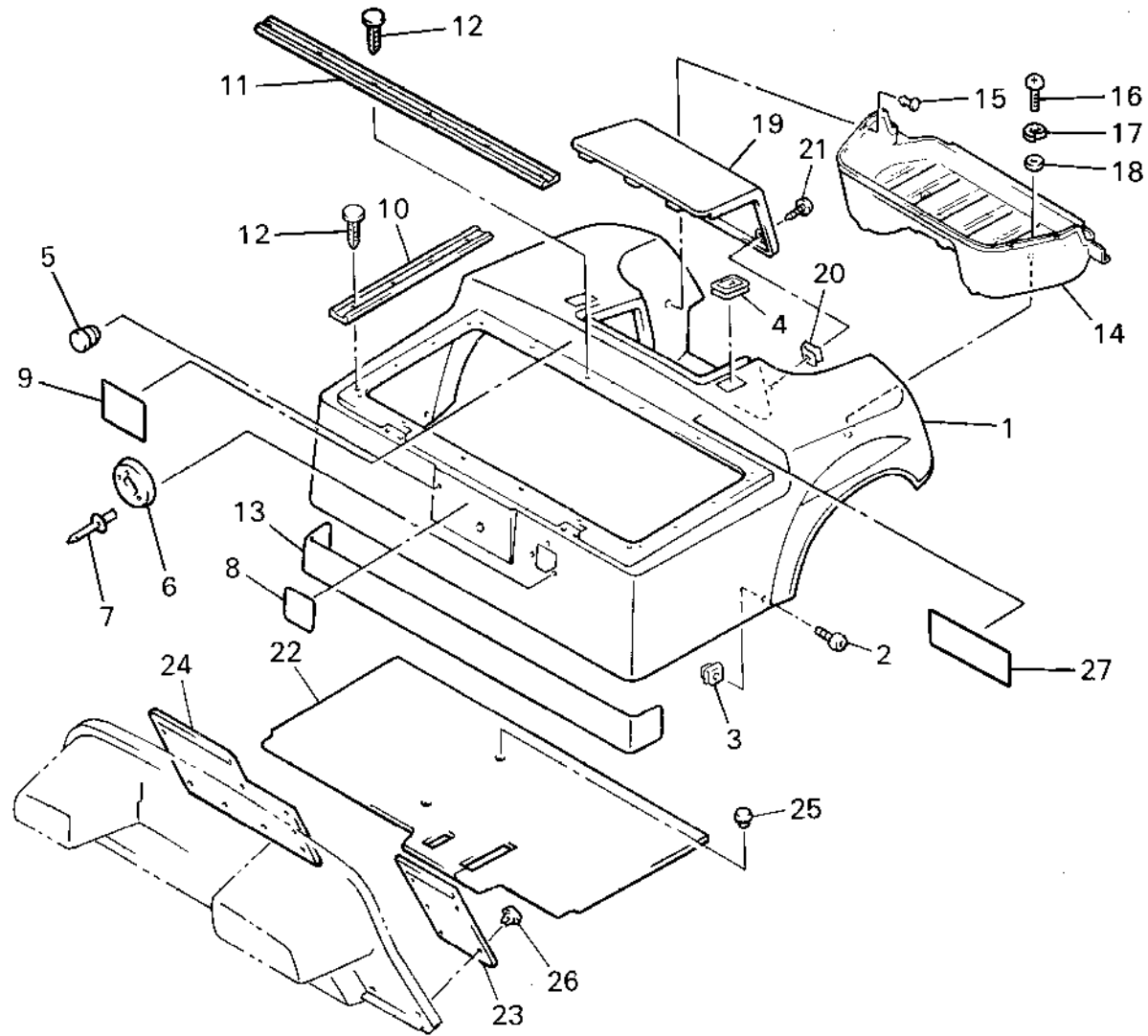
CONTINUED ON NEXT FRAME ➤

BODY



JN4300-5120

Ref. No.	Part Number	Description	Qty	Remarks
29	PNT-84000-K0-9E	PAINT -IVORY WHITE (QUART)		OPTIONAL PART
	PNT-84000-T0-9E	PAINT -IVORY WHITE (T-UP) ..		OPTIONAL PART
	PNT-94000-S4-83	PAINT -KINGSTON GRAY (SPRAY)		OPTIONAL PART
	PNT-94000-S5-19	PAINT -COASTA TEAL (SPRAY)		OPTIONAL PART
	PNT-94000-SP-9E	PAINT -IVORY WHITE (SPRAY)		OPTIONAL PART
	PNT-94000-T3-91	PAINT -SUNFEST RED (T-UP) .		OPTIONAL PART
	PNT-94000-T4-83	PAINT -KINGSTON GRAY (T-UP)		OPTIONAL PART
	PNT-94000-T5-19	PAINT -COASTA TEAL (T-UP) .		OPTIONAL PART
	PNT-F7174-SP-RD	PAINT -SUNFEST RED (SPRAY)		OPTIONAL PART
1-1	JN3-K8115-10-00	COWL, FRONT	1	
1-2	JN3-K8115-20-00	COWL, FRONT	1	
1-3	JN3-K8115-30-00	COWL, FRONT	1	



BODY 2

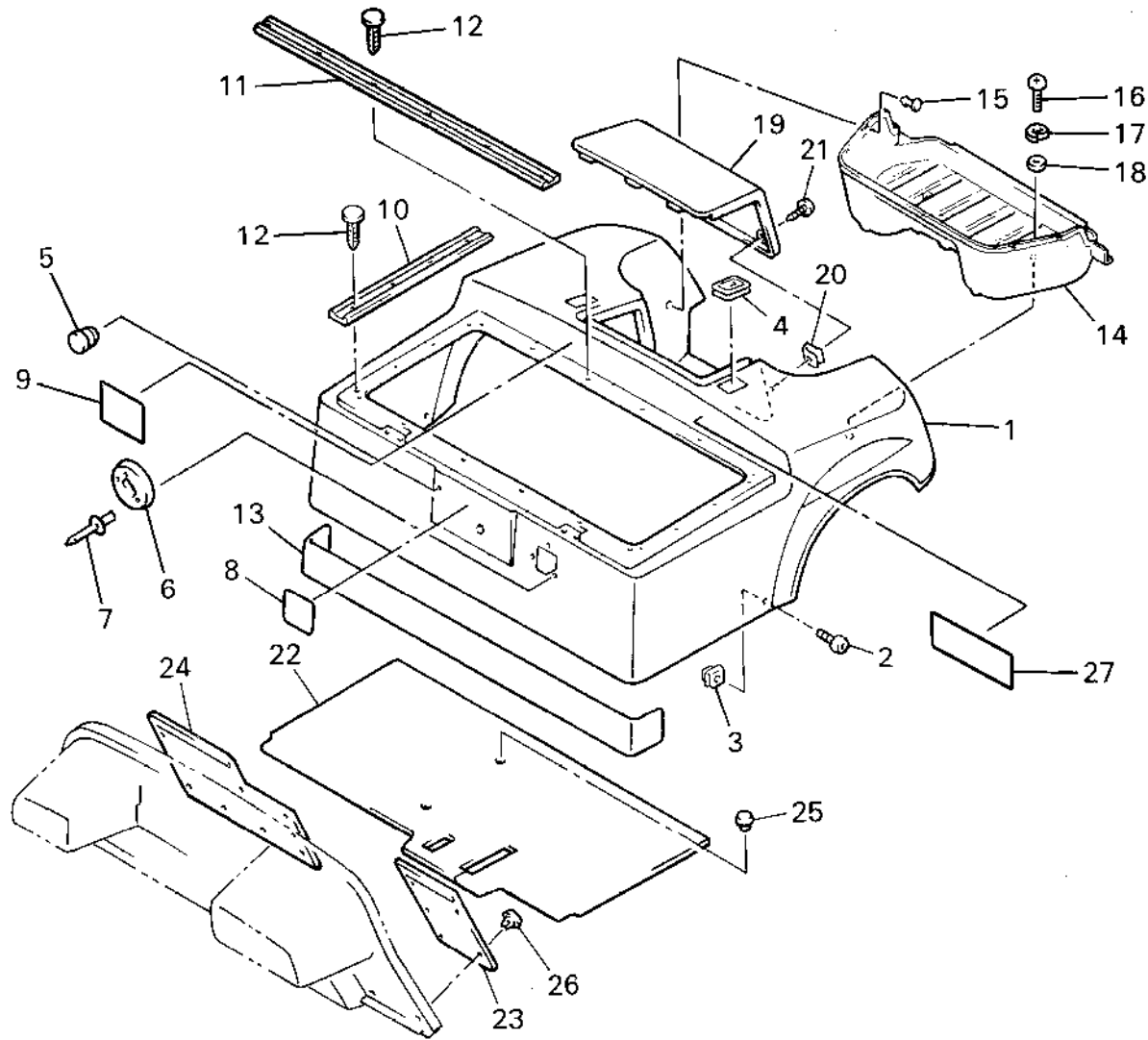
Ref. No.	Part Number	Description	Qty	Remarks
1	JN4-K8142-00-00	PANEL, REAR BODY	1	
2	90110-06200-00	BOLT, HEXAGON SOCKET HEAD	2	
3	90183-06811-00	NUT, SPRING	2	
4	JN3-K8363-00-00	PROTECTOR	2	
5	90338-11831-00	PLUG	1	
6	JN4-K827A-00-00	GUIDE, 1	1	
7	90267-60840-00	RIVET, BLIND	3	
8	JN3-K7741-00-00	INDICATOR,	1	
9	JN4-K7765-00-00	LABEL, WARNING	1	
10	JN3-K8425-00-00	SEAL, SEAT	2	
11	JN3-K842A-00-00	SEAL, SEAT	2	
12	90338-05834-00	PLUG	20	
13	JN3-K814N-00-00	PLATE, ORNAMENT	1	AP
14	JF2-K8237-00-00	COVER, REAR FLOOR	1	
15	90269-08069-00	RIVET	7	
16	98580-06020-00	SCREW	2	
17	92995-06100-00	WASHER, SPRING	2	
18	92990-06200-00	WASHER	2	
19	JN3-K8151-00-00	PANEL, INSPECTION	1	
20	90183-06035-00	NUT, SPRING	2	
21	97707-50012-00	SCREW, TAPPING	2	
22	JF2-K8233-10-00	MAT, MAIN FLOOR 3	1	
23	JF2-K8231-10-00	MAT, MAIN FLOOR 1	1	
24	JF2-K8232-10-00	MAT, MAIN FLOOR 2	1	
25	90269-07809-00	RIVET	2	
26	90267-63047-00	RIVET, BLIND	13	
27	JN4-K8297-00-00	PLATE, CAUTION	1	
	JN4-PARTS-BO-AR	ASSEMBLY HARDWARE	14	OPTIONAL PART

CONTINUED ON NEXT FRAME ►



JN4100-5130

BODY 2

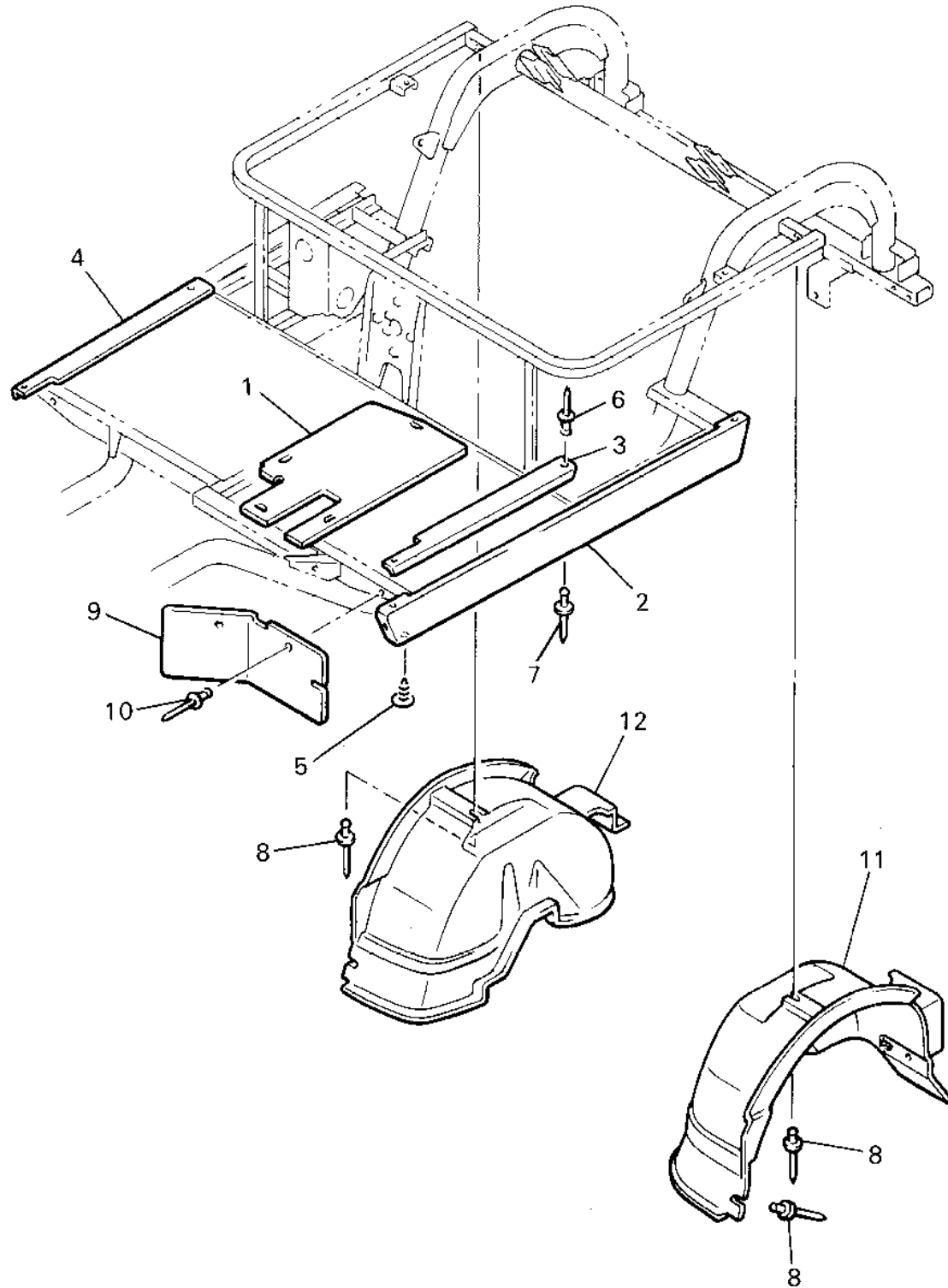


Ref. No.	Part Number	Description	Qty	Remarks
27	PNT-84000-K0-9E	PAINT -IVORY WHITE (QUART)		OPTIONAL PART
	PNT-84000-T0-9E	PAINT -IVORY WHITE (T-UP) ..		OPTIONAL PART
	PNT-94000-S4-83	PAINT -KINGSTON GRAY (SPRAY)		OPTIONAL PART
	PNT-94000-S5-19	PAINT -COASTA TEAL (SPRAY)		OPTIONAL PART
	PNT-94000-SP-9E	PAINT -IVORY WHITE (SPRAY)		OPTIONAL PART
	PNT-94000-T3-91	PAINT -SUNFEST RED (T-UP) .		OPTIONAL PART
	PNT-94000-T4-83	PAINT -KINGSTON GRAY (T-UP)		OPTIONAL PART
	PNT-94000-T5-19	PAINT -COASTA TEAL (T-UP) .		OPTIONAL PART
	PNT-F7174-SP-RD	PAINT -SUNFEST RED (SPRAY)		OPTIONAL PART
1-1	JN4-K8142-10-00	PANEL, REAR BODY	1	
1-2	JN4-K8142-20-00	PANEL, REAR BODY	1	
1-3	JN4-K8142-30-00	PANEL, REAR BODY	1	



JN4100-5130

BODY FITTING

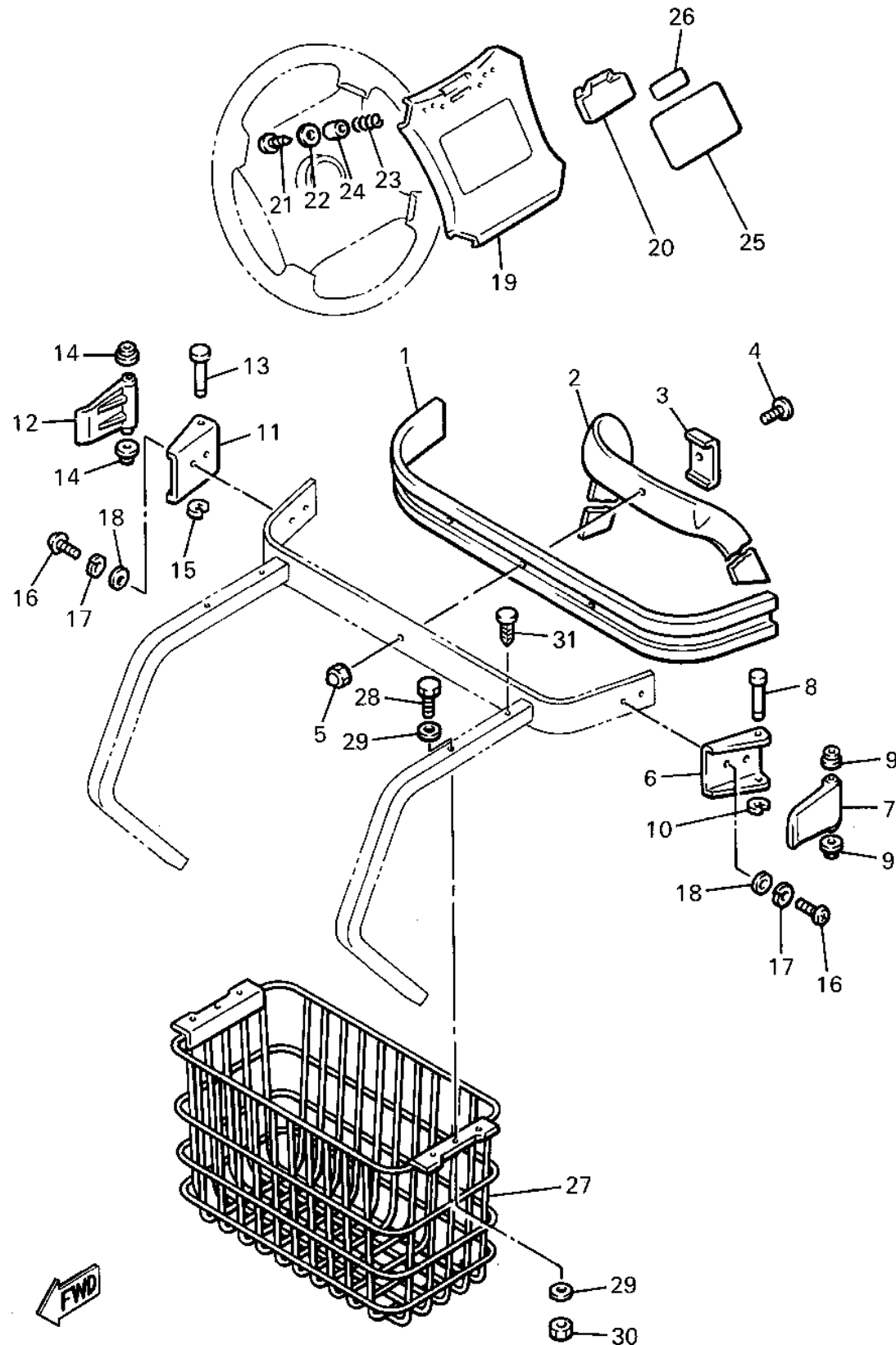


Ref. No.	Part Number	Description	Qty	Remarks
1	JF2-K8271-00-00	SERVICE LID, PEDAL	1	
2	JF2-K818A-00-00	PROTECTOR, SIDE	2	
3	JF2-K8215-10-00	PLATE, SIDE TRIM	1	
4	JF2-K821F-10-00	PLATE, SIDE TRIM	1	
5	90338-05829-00	PLUG	6	
6	90267-48154-00	RIVET, BLIND	4	
7	90267-48831-00	RIVET, BLIND (90267-48101-00)	4	
8	90267-48086-00	RIVET, BLIND	4	
9	JF2-K8187-00-00	FLAP, FRONT FENDER (L.H)	2	
10	90267-48831-00	RIVET, BLIND (90267-48101-00)	4	
11	JF2-K8191-00-00	PANEL, REAR FENDER	1	
12	JF2-K8192-00-00	PANEL, REAR FENDER	1	



JN4100-5140

CARRIER



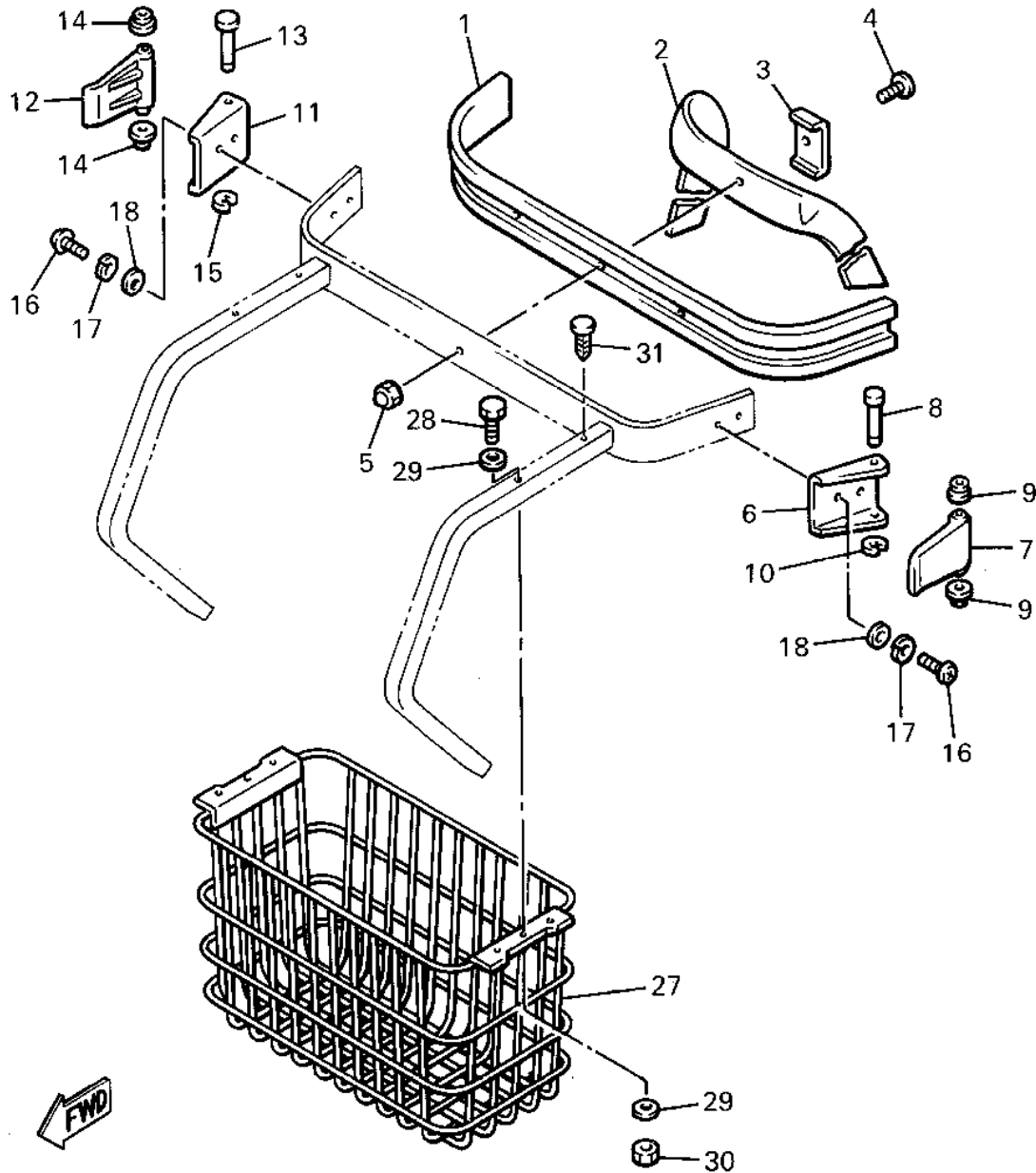
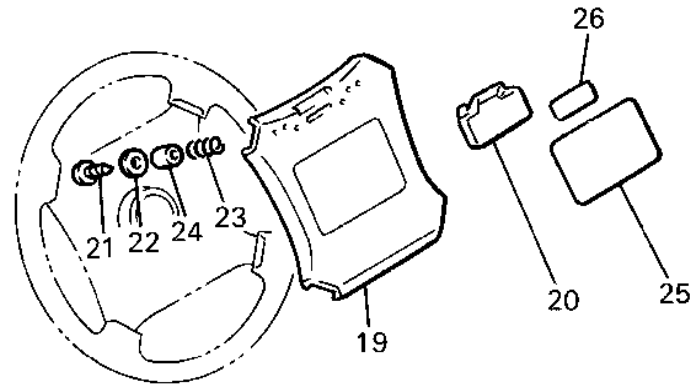
Ref. No.	Part Number	Description	Qty	Remarks
1	JF2-K8356-00-00	PAD, BAG SUPPORT	1	
2	JF2-K8355-00-00	BAND	1	
3	J38-78367-00-00	PLATE, ANCHOR	1	
4	98980-06016-00	SCREW, BINDING	1	
5	95380-06800-00	NUT	1	
6	J17-78157-01-00	BASE, LOCK	1	
7	J17-78368-01-00	LEVER, LOCK	1	
8	J17-78369-00-00	PIN, LEVER	1	
9	90386-06108-00	BUSH	2	
10	99080-05600-00	CIRCLIP	1	
11	J17-78157-01-00	BASE, LOCK	1	
12	J17-78368-01-00	LEVER, LOCK	1	
13	J17-78369-00-00	PIN, LEVER	1	
14	90386-06108-00	BUSH	2	
15	99080-05600-00	CIRCLIP	1	
16	98580-06010-00	SCREW, PAN HEAD (92503-06010)	4	
17	92995-06100-00	WASHER, SPRING	4	
18	92990-06200-00	WASHER	4	
19	JN3-K8357-00-00	HOLDER,	1	
20	J55-K8358-00-00	HOLDER 2	1	
21	97707-40625-00	SCREW, TAPPING	2	
22	90201-044H9-00	WASHER, PLAIN	2	
23	90502-10013-00	SPRING, CONICAL	2	
24	90387-046N7-00	COLLAR	2	
25	JN3-K7762-01-00	LABEL, WARNING	1	
26	JN3-K7141-00-00	EMBLEM 1	1	
27	JN3-K8340-00-00	LUGGAGE RACK	1	
28	90111-08803-00	BOLT, HEX. SOCKET	2	

CONTINUED ON NEXT FRAME ►

JN3100-5280

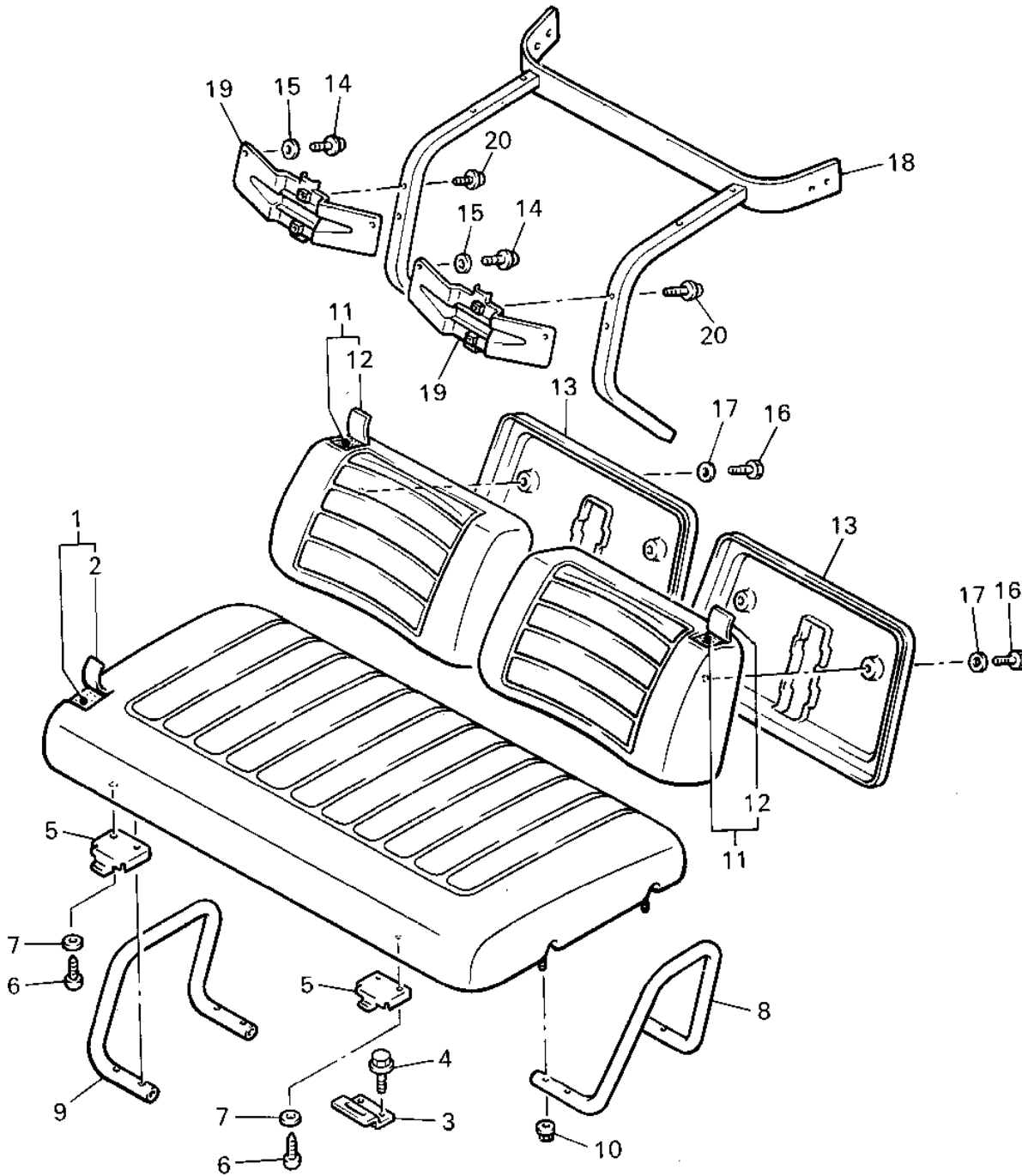
CARRIER

Ref. No.	Part Number	Description	Qty	Remarks
29	90201-08103-00	WASHER, PLAIN	8	
30	95680-08100-00	NUT, U	2	
31	90338-09828-00	PLUG	4	



JN3100-5280

SEAT

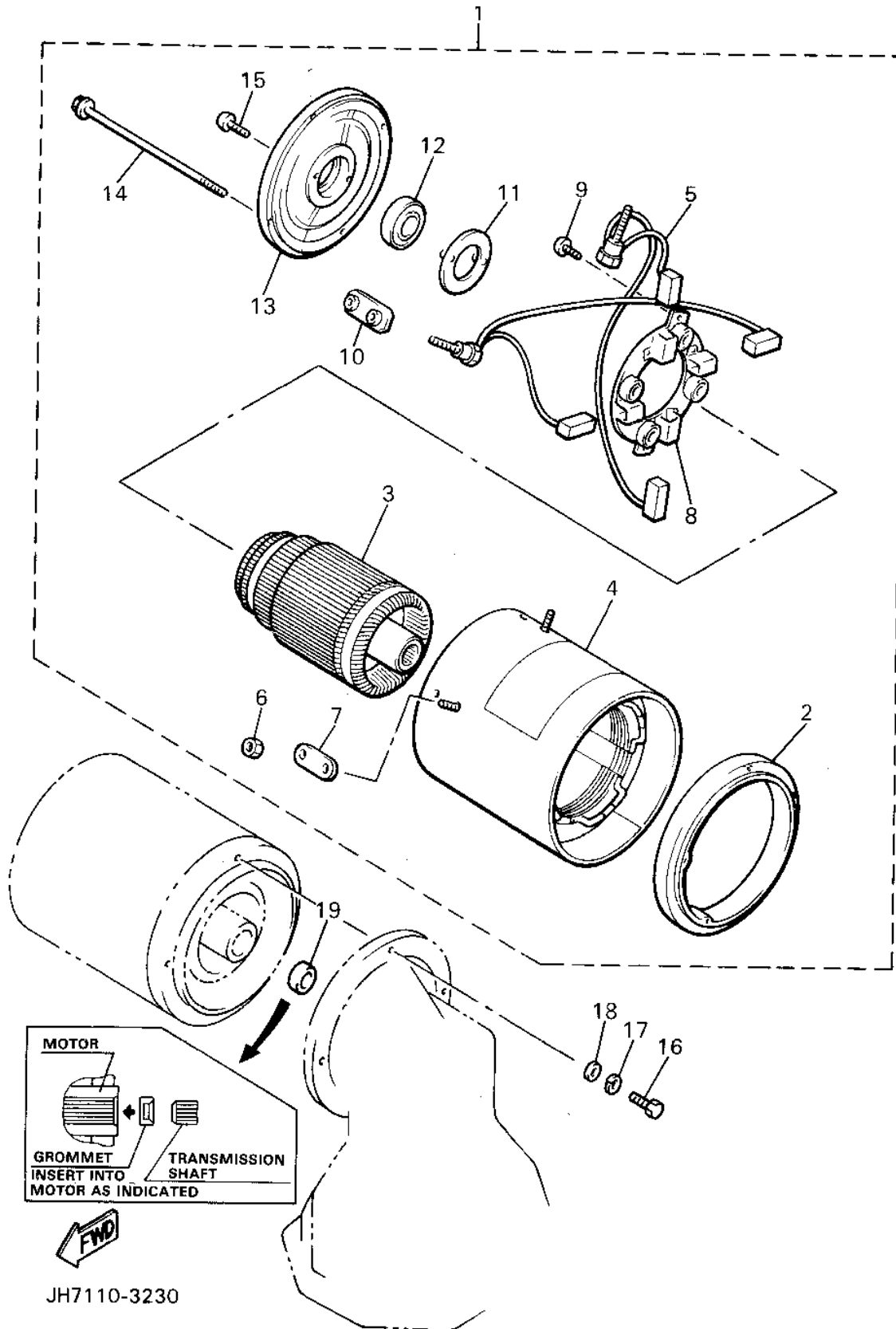


Ref. No.	Part Number	Description	Qty	Remarks
1	JN3-K8401-00-00	SEAT SUB-ASSEMBLY, CUSHION	1	
2	JN3-K8404-09-00	. COVER, SEAT	1	
3	JF2-K8427-00-00	HINGE, SEAT FEMALE	2	
4	90105-06903-00	BOLT, WASHER BASED	4	
5	JN3-K8426-00-00	HINGE, SEAT MALE	2	
6	97780-50125-00	SCREW, TAPPING	4	
7	90204-05804-00	WASHER, SPG	4	
8	JN3-K8361-00-00	ARM REST	1	
9	JN3-K8362-00-00	ARM REST 2	1	
10	95617-08200-00	NUT, SELF-LOCKING (95607-08200-00)	8	
11	JN3-K8402-00-00	BACK, SEAT SUB.	2	
12	JN3-K841G-09-00	. COVER, SEAT BACK	1	
13	JN3-K8413-00-00	COVER, SEAT BACK	2	
14	90119-08820-00	BOLT, HEX. W/WASHER	4	
15	90201-068G0-00	WASHER, PLAIN	4	
16	95880-06025-00	BOLT, FLANGE	4	
17	90201-068G6-00	WASHER, PLAIN	4	
18	JN3-K8423-00-00	SUPPORT, SEAT BACK	1	
19	JN3-K842H-00-00	RETAINER, SEAT	2	
20	95817-08045-00	BOLT, FLANGE	4	
	JN4-PARTS-BO-AR	ASSEMBLY HARDWARE	14	OPTIONAL PART



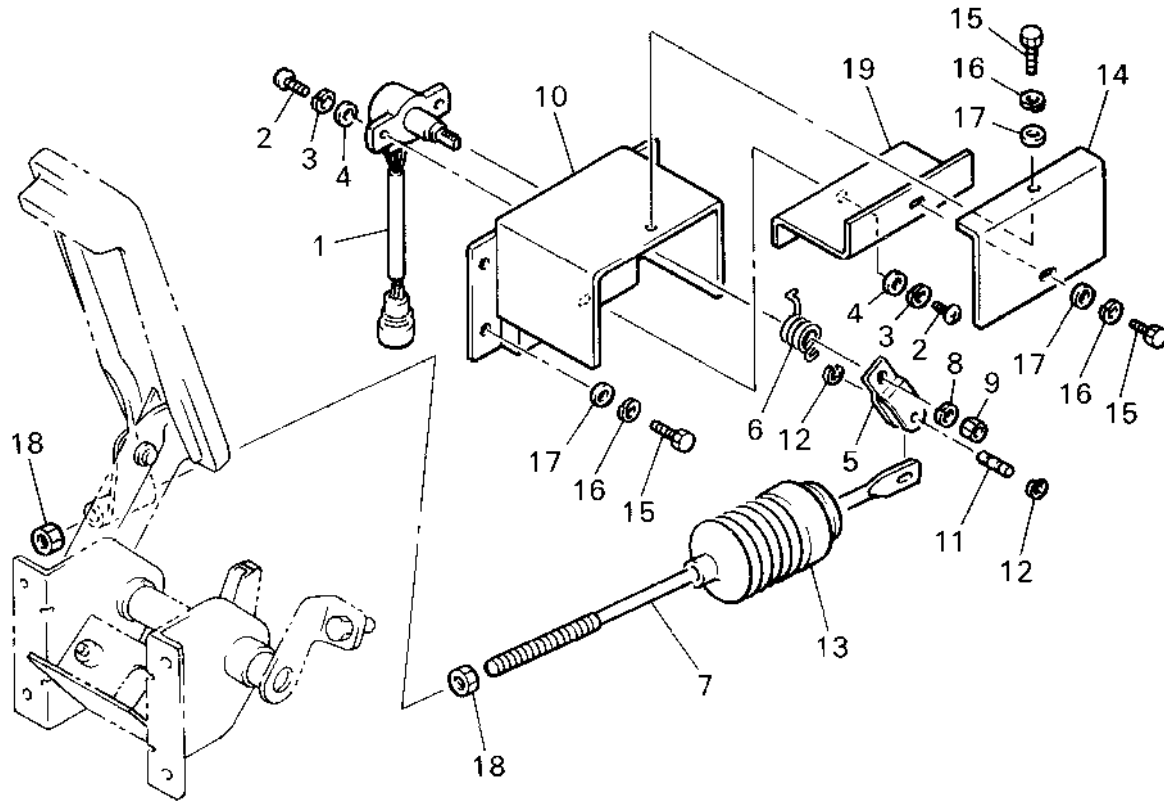
JN4300-5160

ELECTRIC MOTOR



Ref. No.	Part Number	Description	Qty	Remarks
1	JH7-H1890-10-00	MOTOR ASSEMBLY	1	
2	JH7-H183J-00-00	. BRACKET, FRONT	1	
3	JH7-H1850-00-00	. ARMATURE ASSEMBLY	1	
4	JH7-H1810-10-00	. STATOR ASSEMBLY	1	
5	JH7-H1801-00-00	. BRUSH SET	1	
6	JH7-H1872-00-00	. NUT, SPECIAL	4	
7	J51-H1843-00-00	. WASHER 1	2	
8	JH7-H1840-00-00	. BRUSH HOLDER ASSEMBLY	1	
9	JH7-H1848-00-00	. SCREW, BRUSH HOLDER ...	2	
10	JG6-H1824-00-00	. WASHER 2	2	
11	JH7-H1856-00-00	. BEARING	1	
12	J56-H1857-00-00	. RETAINER	1	
13	JH7-H1822-00-00	. BRACKET, STARTING MOTOR	1	
14	JG6-H1828-00-00	. BOLT 2	4	
15	JH7-H1846-00-00	. SCREW	2	
16	90101-06857-00	BOLT	3	
17	90215-06811-00	WASHER, LOCK	3	
18	90201-068E2-00	WASHER, PLATE	3	
19	JH7-H1829-00-00	GROMMET	1	

CONTROLLER 1

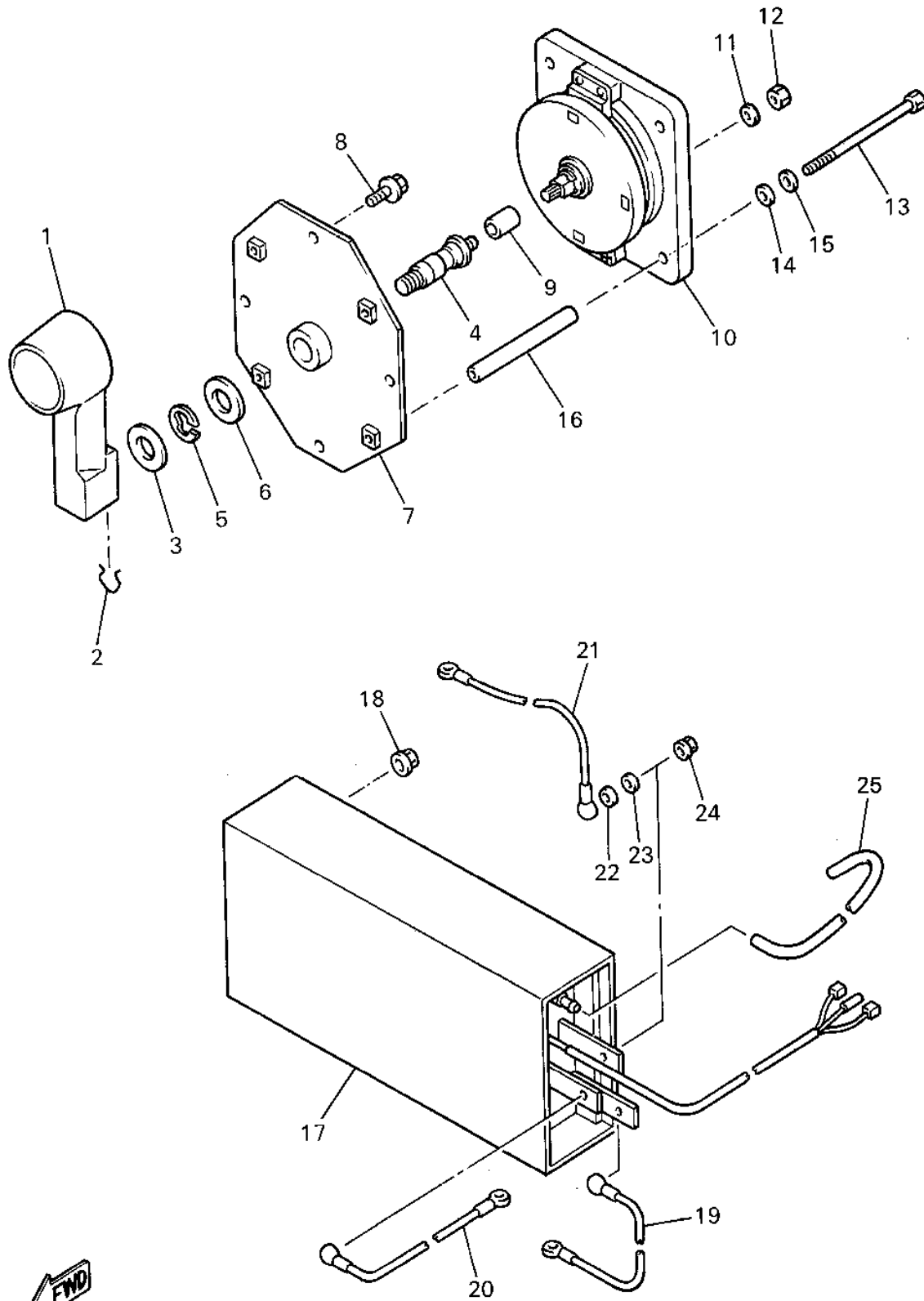


Ref. No.	Part Number	Description	Qty	Remarks
1	JN4-85885-00-00	THROTTLE SENSOR ASSEMBLY	1	
2	98507-05016-00	SCREW, PAN HEAD	3	
3	92907-05100-00	WASHER, SPRING	3	
4	92907-05600-00	WASHER, PLATE	3	
5	JF3-2625H-00-00	ARM, THROTTLE	1	
6	JF3-27825-00-00	SPRING, RETURN	1	
7	JN4-F7241-00-00	ROD, JOINT	1	
8	92907-06100-00	WASHER, SPRING	1	
9	95317-06600-00	NUT (95307-06600-00)	1	
10	JF3-27981-00-00	BRACKET, THROTTLE	1	
11	JF3-27813-00-00	PIN, PEDAL CRANK	1	
12	99080-04600-00	CIRCLIP (E)	2	
13	JN4-F7486-00-00	COVER 1	1	
14	JF3-27487-00-00	COVER 2	1	
15	97007-05016-00	BOLT	6	
16	92907-05100-00	WASHER, SPRING	6	
17	92907-05600-00	WASHER, PLATE	6	
18	95307-08700-00	NUT	2	
19	JF3-27445-00-00	PLATE 1	1	



JN4100-5180

CONTROLLER 2

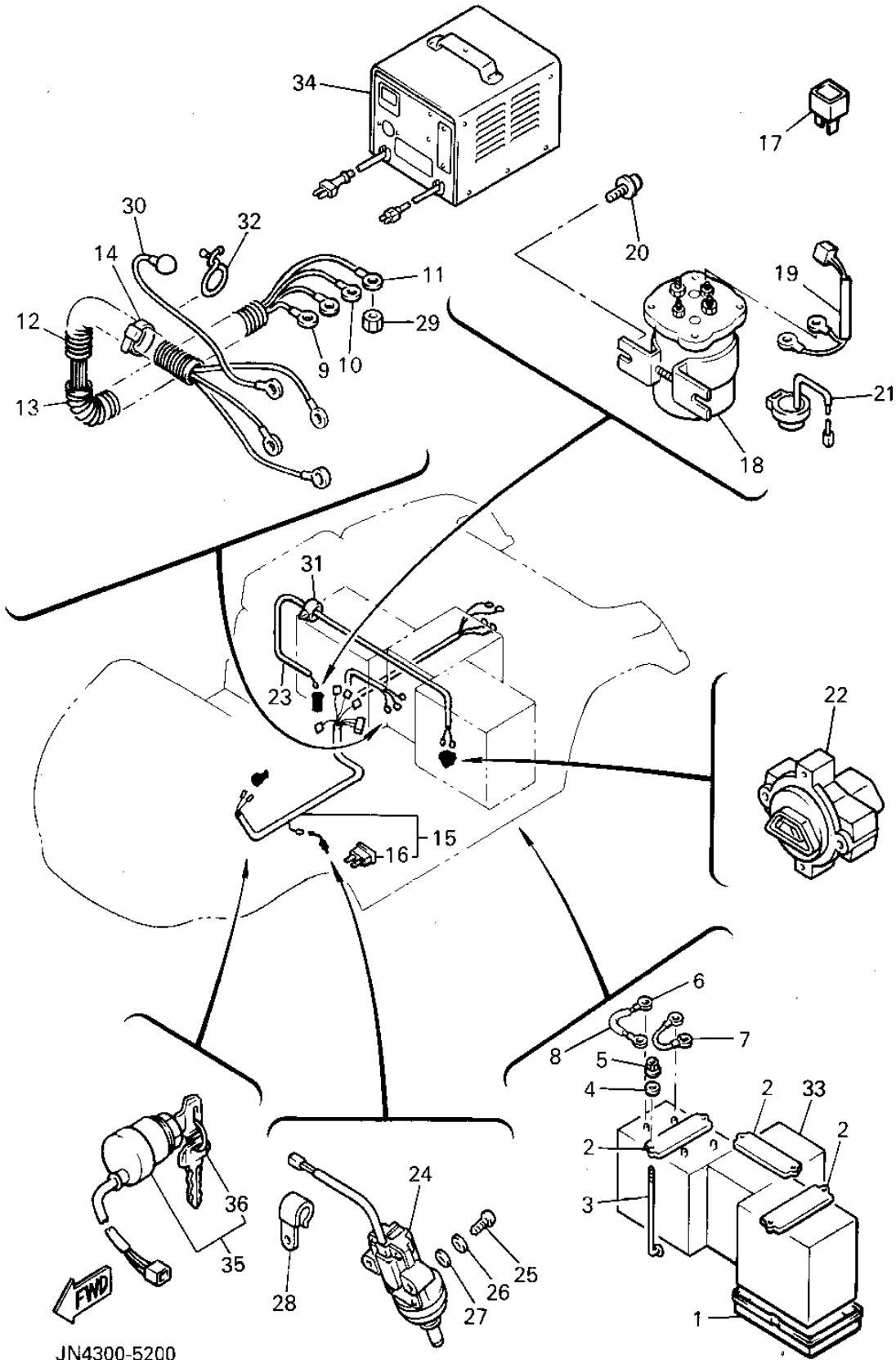


Ref. No.	Part Number	Description	Qty	Remarks
1	JN3-G6381-00-00	KNOB, SHIFT	1	
2	JN3-G6376-00-00	SPRING SET	1	
3	90201-201L9-00	WASHER, PLAIN	1	
4	JF3-46392-00-00	BAR 1	1	
5	99009-19400-00	CIRCLIP	1	
6	90201-19551-00	WASHER, PLAIN	1	
7	JN4-G6372-00-00	BRACKET, SHIFT	1	
8	95807-06016-00	BOLT, FLANGE	4	
9	J41-46394-00-00	JOINT	1	
10	JN4-82917-00-00	F/R SELECT SWITCH ASSEMBLY	1	
11	92907-06100-00	WASHER, SPRING	4	
12	95317-06600-00	NUT (95307-06600-00)	4	
13	97007-06100-00	BOLT, HEXAGON	4	
14	92907-06200-00	WASHER	4	
15	92907-06100-00	WASHER, SPRING	4	
16	90387-061W6-00	COLLAR	4	
17	JN4-86510-00-00	MOTOR CONTROL UNIT ASSEMBLY	1	
18	95707-06500-00	NUT, FLANGE	4	
19	JN4-86521-00-00	WIRE 1	1	
20	JN4-86522-00-00	WIRE 2	1	
21	JN4-86523-00-00	WIRE 3	1	
22	97007-05012-00	BOLT	3	
23	92907-05600-00	WASHER, PLATE	3	
24	95707-05500-00	NUT, FLANGE	3	
25	90446-12375-00	HOSE	1	



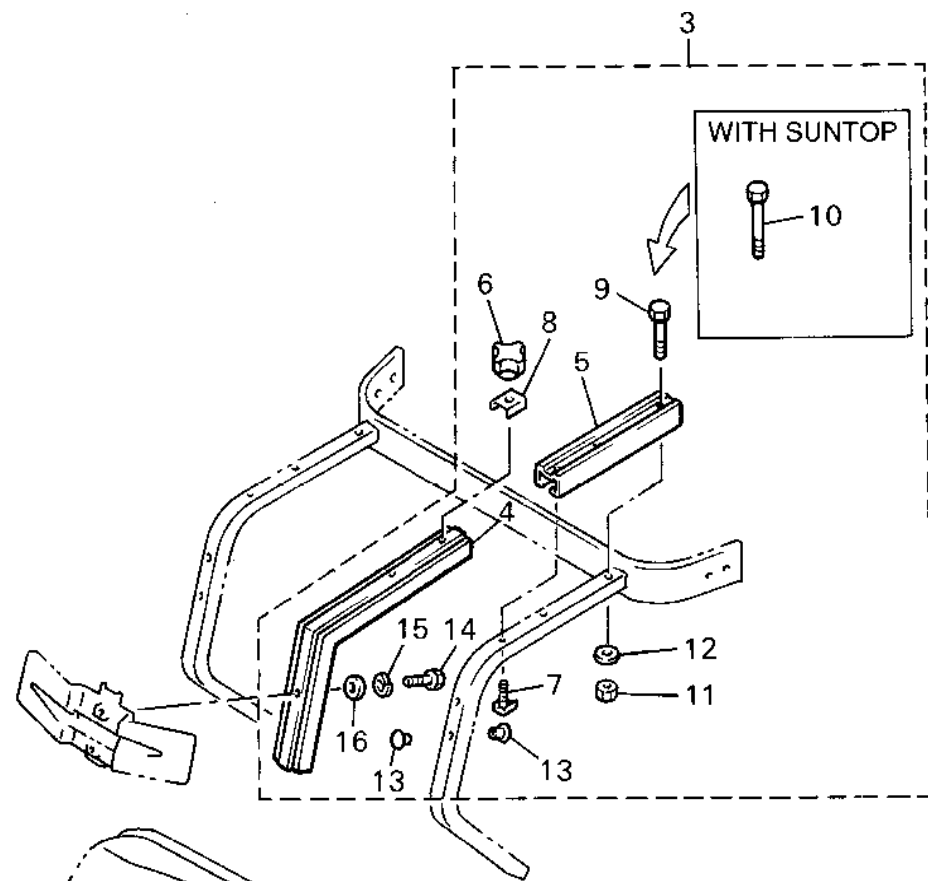
JN4100-5190

ELECTRICAL 1

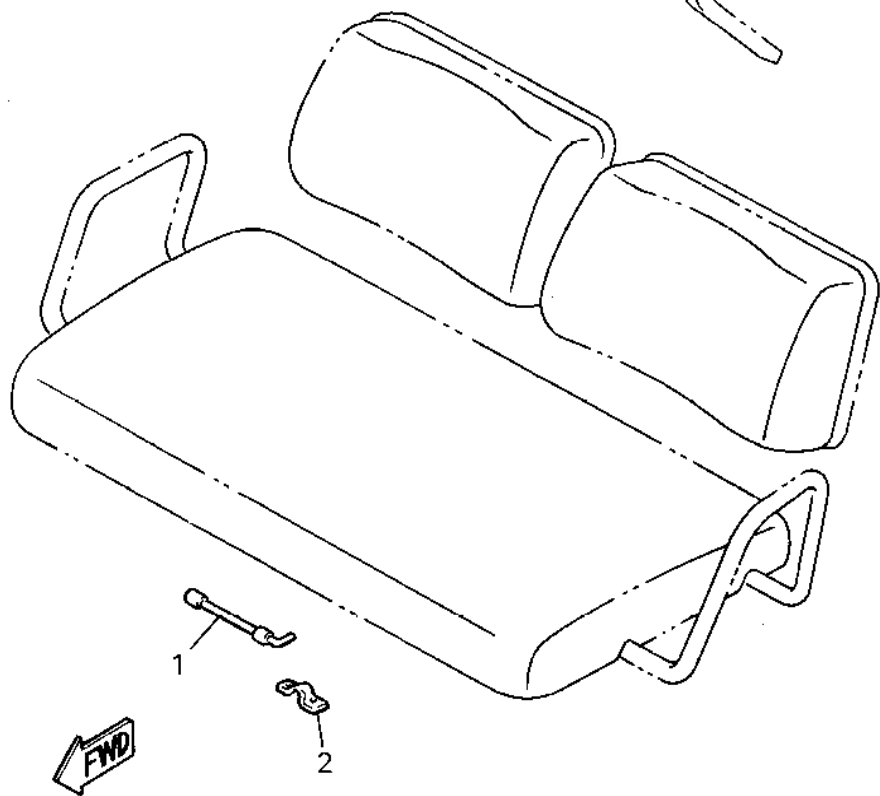


Ref. No.	Part Number	Description	Qty	Remarks
30	JN4-H6527-00-00	WIRE 7	1	
31	90464-20181-00	CLAMP	4	
32	*---	FRONT WHEEL ASSEMBLY	1	LM
	90464-23041-00	CLAMP	2	
33	*---	FRONT WHEEL ASSEMBLY	6	LM
35	JN3-82510-00-00	MAIN SWITCH ASSEMBLY	1	
36	J44-82511-00-00	. KEY, MAIN SWITCH	1	
	JN4-PARTS-BO-AR	ASSEMBLY HARDWARE	14	OPTIONAL PART

ALTERNATE (SEAT)

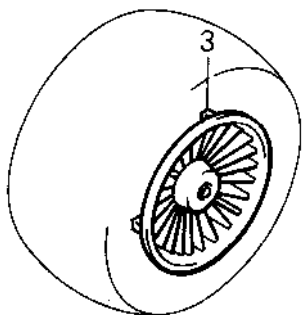
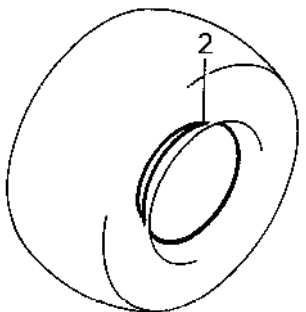
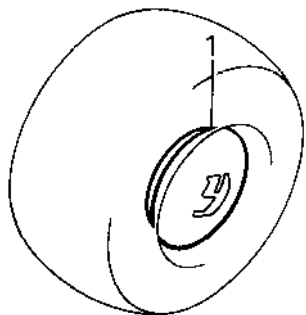


Ref. No.	Part Number	Description	Qty	Remarks
1	JN3-K8421-00-00	SUPPORT, SEAT	1	
2	JF2-K8422-00-00	BRACKET, SEAT SUPPORT ..	1	
3	JN3-K8450-00-00	SEAT ADJUSTER ASSEMBLY .	1	
4	JN3-K845A-00-00	. MEMBER, SLIDE SEAT	1	
5	JN3-K8451-00-00	. FRAME, SLIDE SEAT	1	
6	JN3-K8452-00-00	. SEAT-ADJUSTER	1	
7	JN3-K8459-00-00	. REINFORCEMENT,	1	
8	JN3-K845E-00-00	. REINFORCEMENT,	1	
9	97004-08045-00	. BOLT, HEXAGON	2	
10	97004-08070-00	. BOLT, HEXAGON	2	
11	95604-08100-00	. NUT, U	2	
12	92990-08200-00	. WASHER, PLAIN	2	
13	90338-09828-00	. PLUG	4	
14	97004-08020-00	. BOLT, HEX. HEAD	2	
15	92990-08100-00	. WASHER	2	
16	92990-08600-00	. WASHER, PLATE	2	



JN3100-5331

ALTERNATE (HUB-CAP)

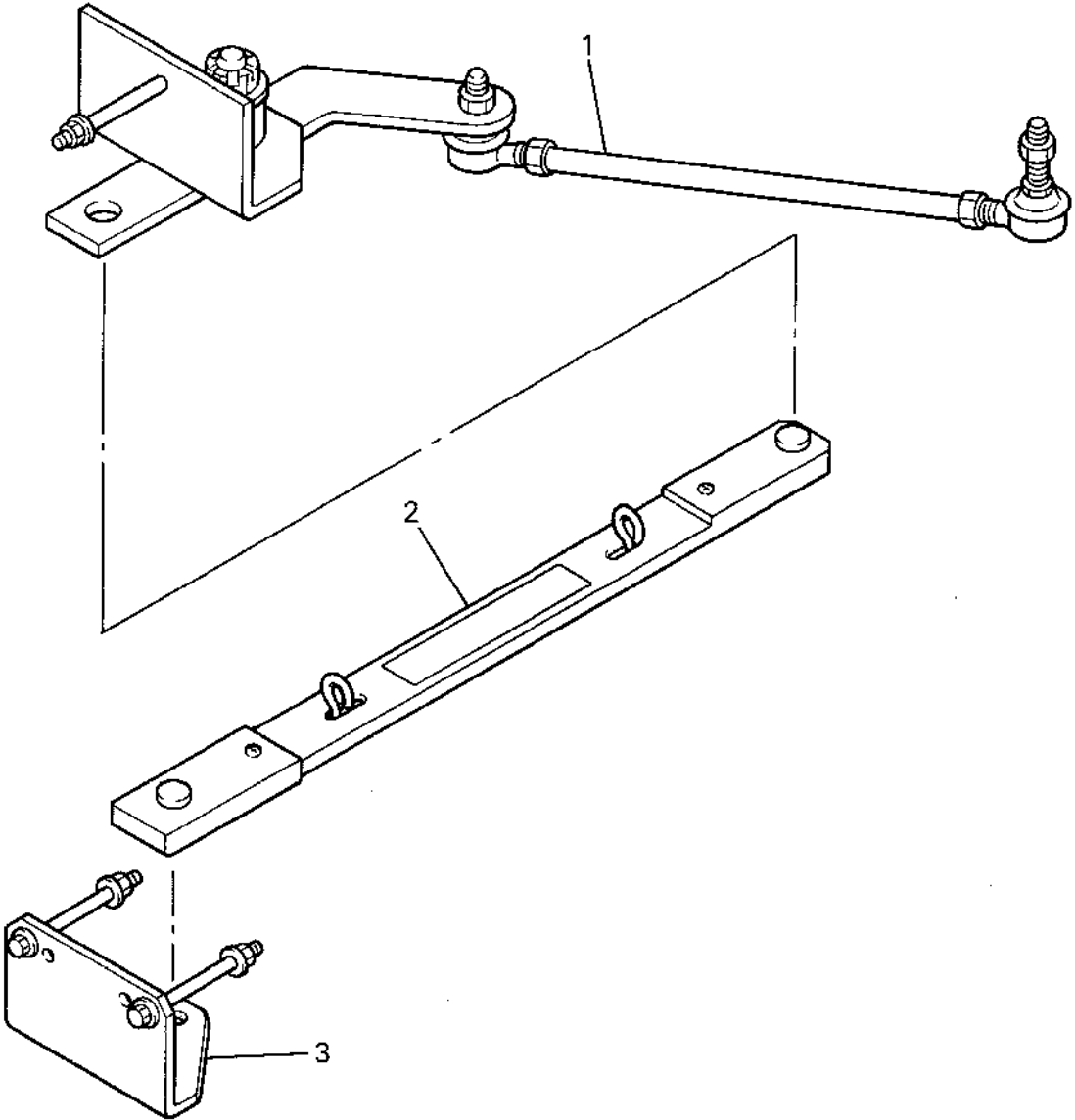


Ref. No.	Part Number	Description	Qty	Remarks
1	JG5-F512K-00-00	HUB-CAP, YAMAHA LOGO ...	4	
2	JG5-F512L-00-00	HUB-CAP, PLAIN	4	
3	JG5-F512M-00-00	HUB-CAP, MAG-STYLE	4	



JN3100-5340

ALTERNATE (DRAW BAR)

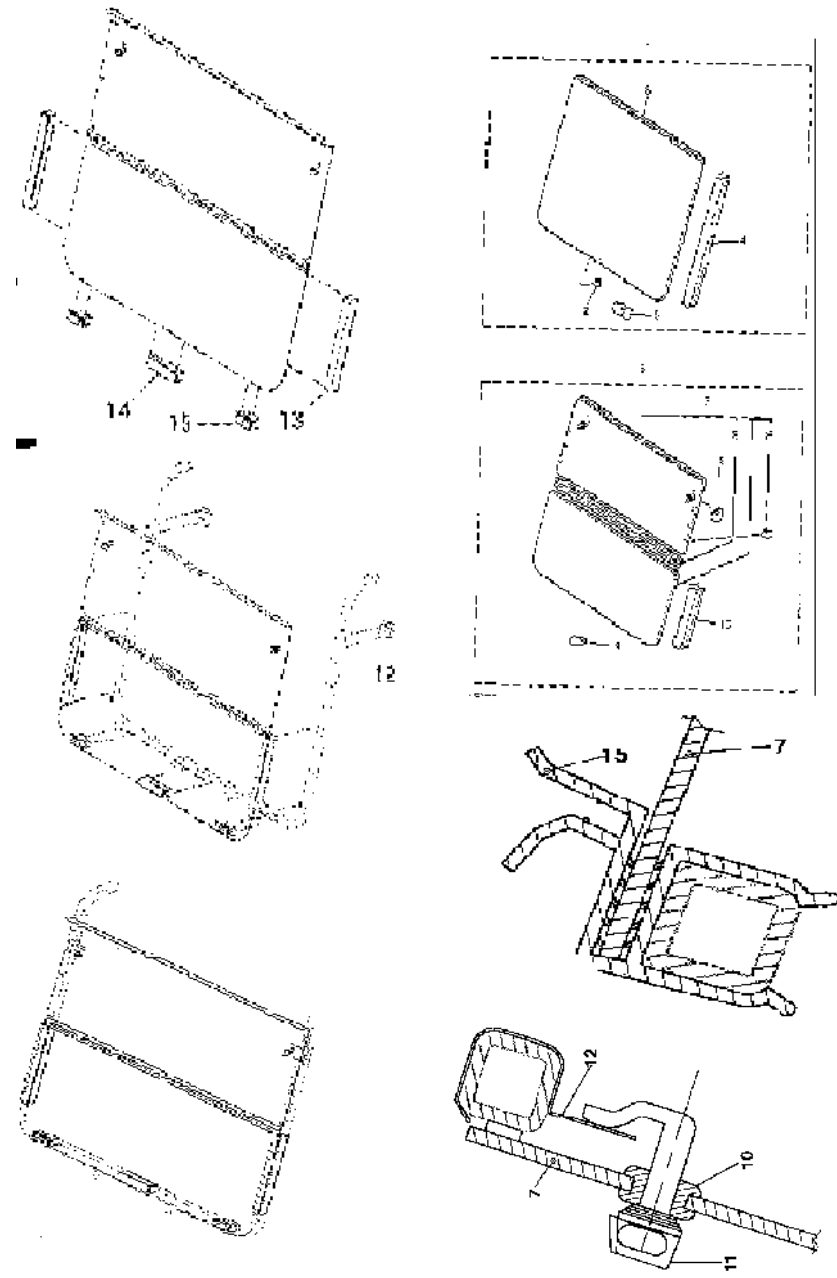


Ref. No.	Part Number	Description	Qty	Remarks
1	JN3-F389K-00-00	ARM PIVOT ASSEMBLY 1	
2	JN3-F389J-00-00	DRAW BAR ASSEMBLY 1	
3	JF2-F3802-00-00	REAR HITCH ASSEMBLY 1	



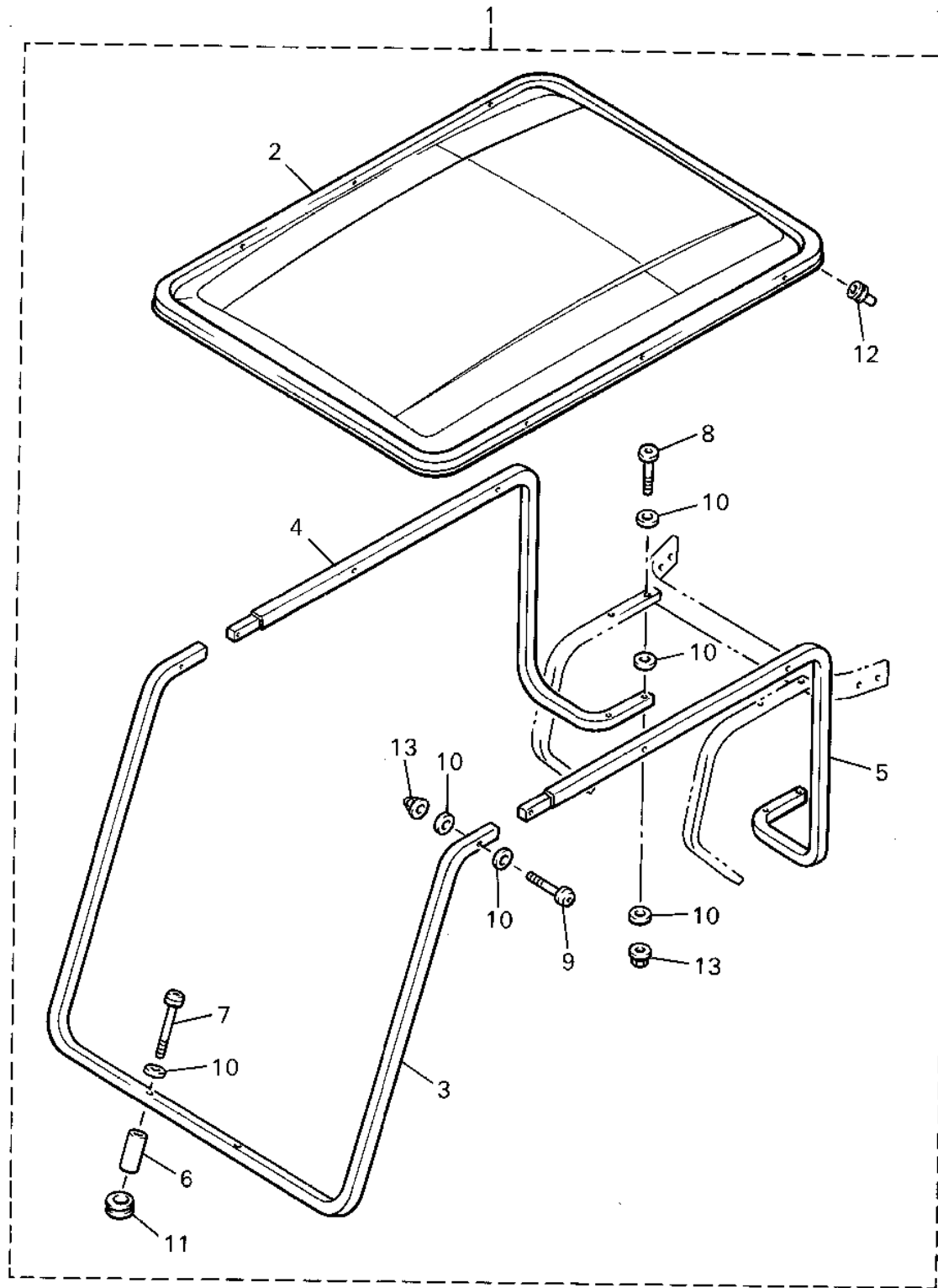
JN3100-5350

ALTERNATE (WINDSHIELD)



Ref. No.	Part Number	Description	Qty	Remarks
1	JN3-K7200-00-00	WINDSHIELD ASSEMBLY. (CLEAR)	1	
2	JN3-K7238-00-00	. DAMPER, WINDSHIELD	1	
3	JN3-K7211-00-00	. WINDSHIELD	1	
4	JN3-K838C-00-00	. HOLDER SHIELD	2	
5	JN3-K722A-00-00	. FASTENER	2	
6	JN3-K7200-20-00	WINDSHIELD ASSEMBLY. (HINGED, CLEAR)	1	
7	JN3-K7211-20-00	. WINDSHIELD COMP. (CLEAR)	1	
8	JN3-K7238-00-00	.. DAMPER, WINDSHIELD	6	
9	JN3-K721F-00-00	.. HINGE,	1	
10	90480-10854-00	.. GROMMET	2	
11	JN3-K7223-00-00	.. FASTENER	1	
12	JN3-K7721-00-00	. BRACKET,	2	
13	JN3-K838A-00-00	. RETAINER	2	
14	JN3-K722A-00-00	. FASTENER	1	
15	JN3-K7222-00-00	. BRACKET, WINDSHIELD	2	

ALTERNATE (SUNROOF)



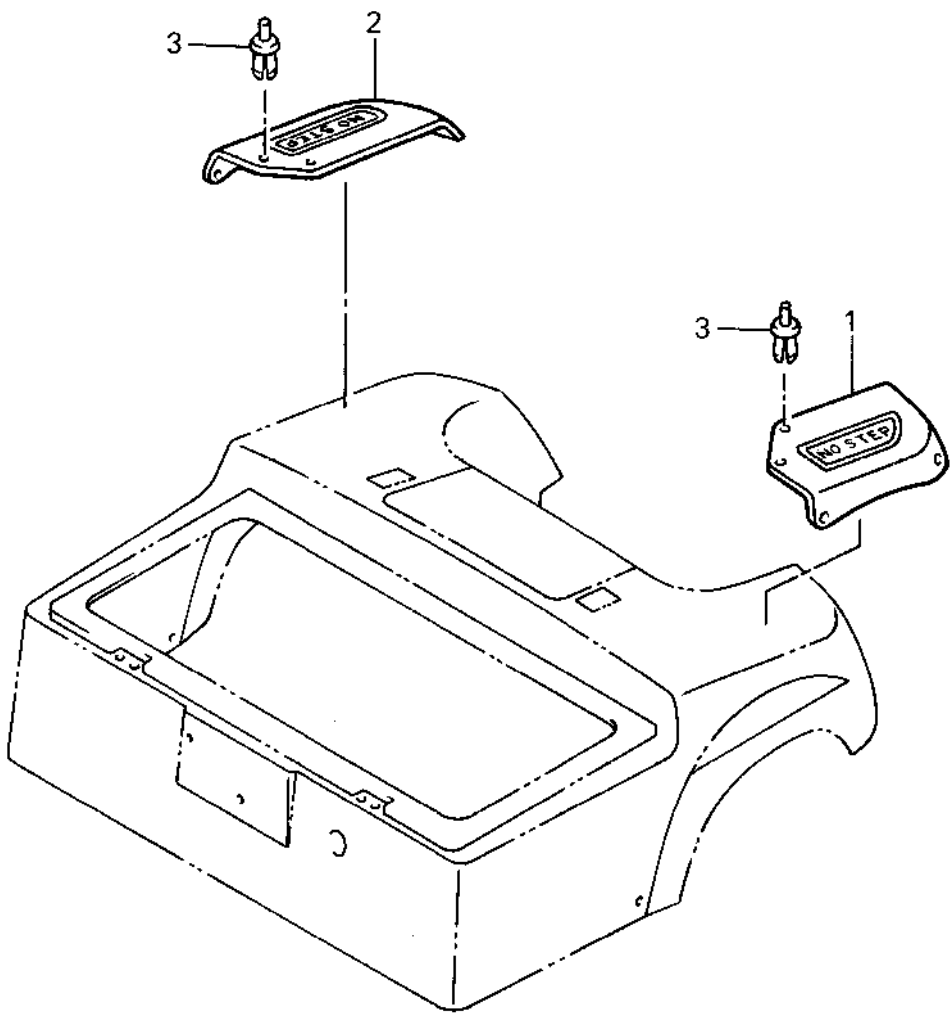
Ref. No.	Part Number	Description	Qty	Remarks
1	JN3-K8310-00-00	SUN ROOF ASSEMBLY	1	
2	JN3-K8314-00-00	. COVER, SUNROOF	1	
3	JN3-K8312-00-00	. SUPPORT, ROOF	1	
4	JN3-K831A-00-00	. SUPPORT, ROOF	1	
5	JN3-K8313-00-00	. SUPPORT, ROOF	1	
6	90387-088J4-00	. COLLAR	2	
7	92017-08085-00	. BOLT, HEX	2	
8	92017-08070-00	. BOLT, HEX	4	
9	92017-08045-00	. BOLT, HEX	6	
10	90201-087F0-00	. WASHER, PLATE	24	
11	JN3-K832F-00-00	. GROMMET, ROOF	2	
12	JN3-K832G-00-00	. GROMMET, ROOF	2	
13	90185-08089-00	. NUT, SELF-LOCKING	10	



JN3100-5370

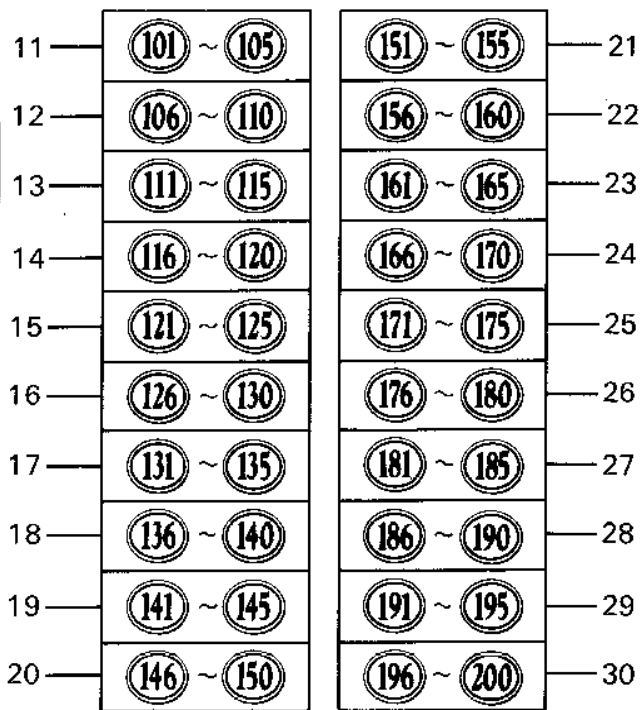
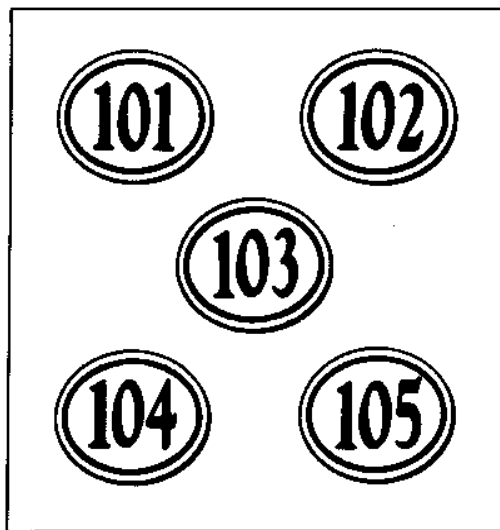
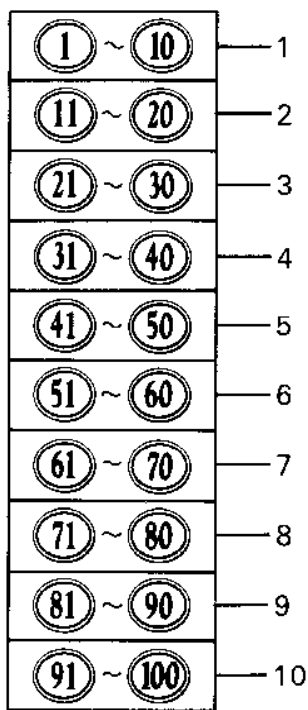
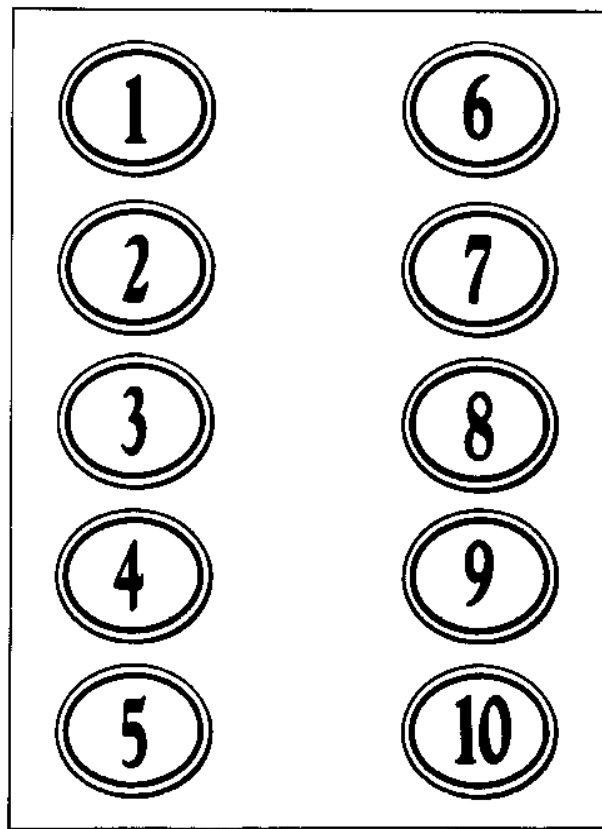
ALTERNATE (SIDE MAT)

Ref. No.	Part Number	Description	Qty	Remarks
1	JN3-K8243-00-00	MAT, BODY SIDE LEFT	1	
2	JN3-K8244-00-00	MAT, BODY SIDE RIGHT	1	
3	90267-63047-00	RIVET, BLIND	10	



JN3100-5380

ALTERNATE (FLEET NUMBER)

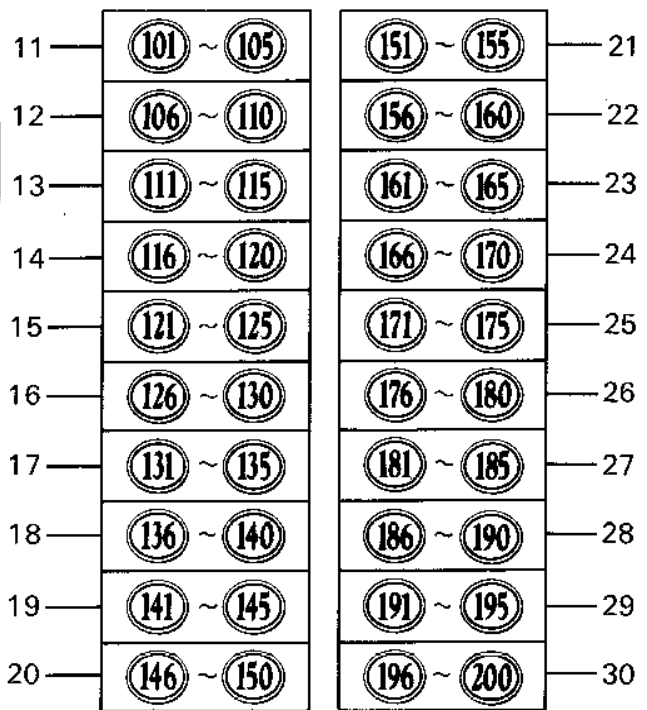
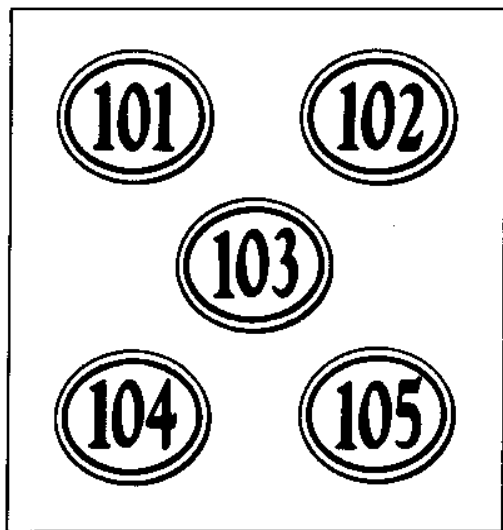
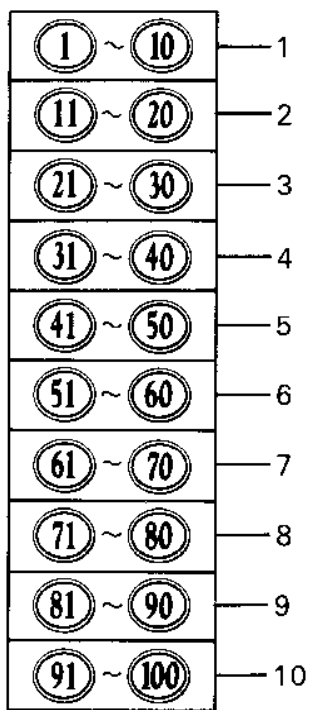
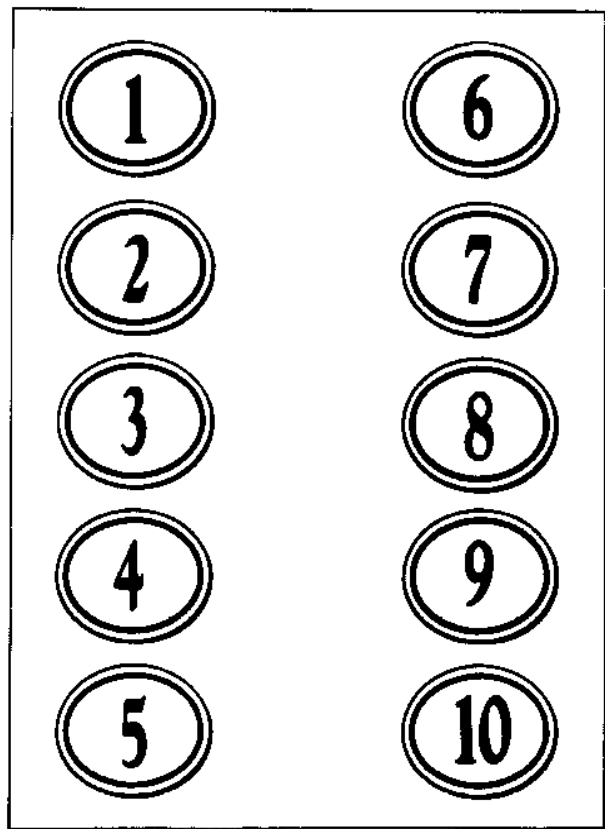


JN3100-5390

Ref. No.	Part Number	Description	Qty	Remarks
1	JG5-K810T-10-00	FLEET, NUMBER	1	
2	JG5-K810T-20-00	FLEET, NUMBER	1	
3	JG5-K810T-30-00	FLEET, NUMBER	1	
4	JG5-K810T-40-00	FLEET, NUMBER	1	
5	JG5-K810T-50-00	FLEET, NUMBER	1	
6	JG5-K810T-60-00	FLEET, NUMBER	1	
7	JG5-K810T-70-00	FLEET, NUMBER	1	
8	JG5-K810T-80-00	FLEET, NUMBER	1	
9	JG5-K810T-90-00	FLEET, NUMBER	1	
10	JG5-K810T-00-00	FLEET, NUMBER	1	
11	JG5-K810U-A0-00	FLEET, NUMBER	1	
12	JG5-K810U-10-00	FLEET, NUMBER	1	
13	JG5-K810U-E0-00	FLEET, NUMBER	1	
14	JG5-K810U-20-00	FLEET, NUMBER	1	
15	JG5-K810U-F0-00	FLEET, NUMBER	1	
16	JG5-K810U-30-00	FLEET, NUMBER	1	
17	JG5-K810U-G0-00	FLEET, NUMBER	1	
18	JG5-K810U-40-00	FLEET, NUMBER	1	
19	JG5-K810U-H0-00	FLEET, NUMBER	1	
20	JG5-K810U-50-00	FLEET, NUMBER	1	
21	JG5-K810U-J0-00	FLEET, NUMBER	1	
22	JG5-K810U-60-00	FLEET, NUMBER	1	
23	JG5-K810U-K0-00	FLEET, NUMBER	1	
24	JG5-K810U-70-00	FLEET, NUMBER	1	
25	JG5-K810U-L0-00	FLEET, NUMBER	1	
26	JG5-K810U-80-00	FLEET, NUMBER	1	
27	JG5-K810U-M0-00	FLEET, NUMBER	1	
28	JG5-K810U-90-00	FLEET, NUMBER	1	
29	JG5-K810U-N0-00	FLEET, NUMBER	1	

CONTINUED ON NEXT FRAME ➤

ALTERNATE (FLEET NUMBER)

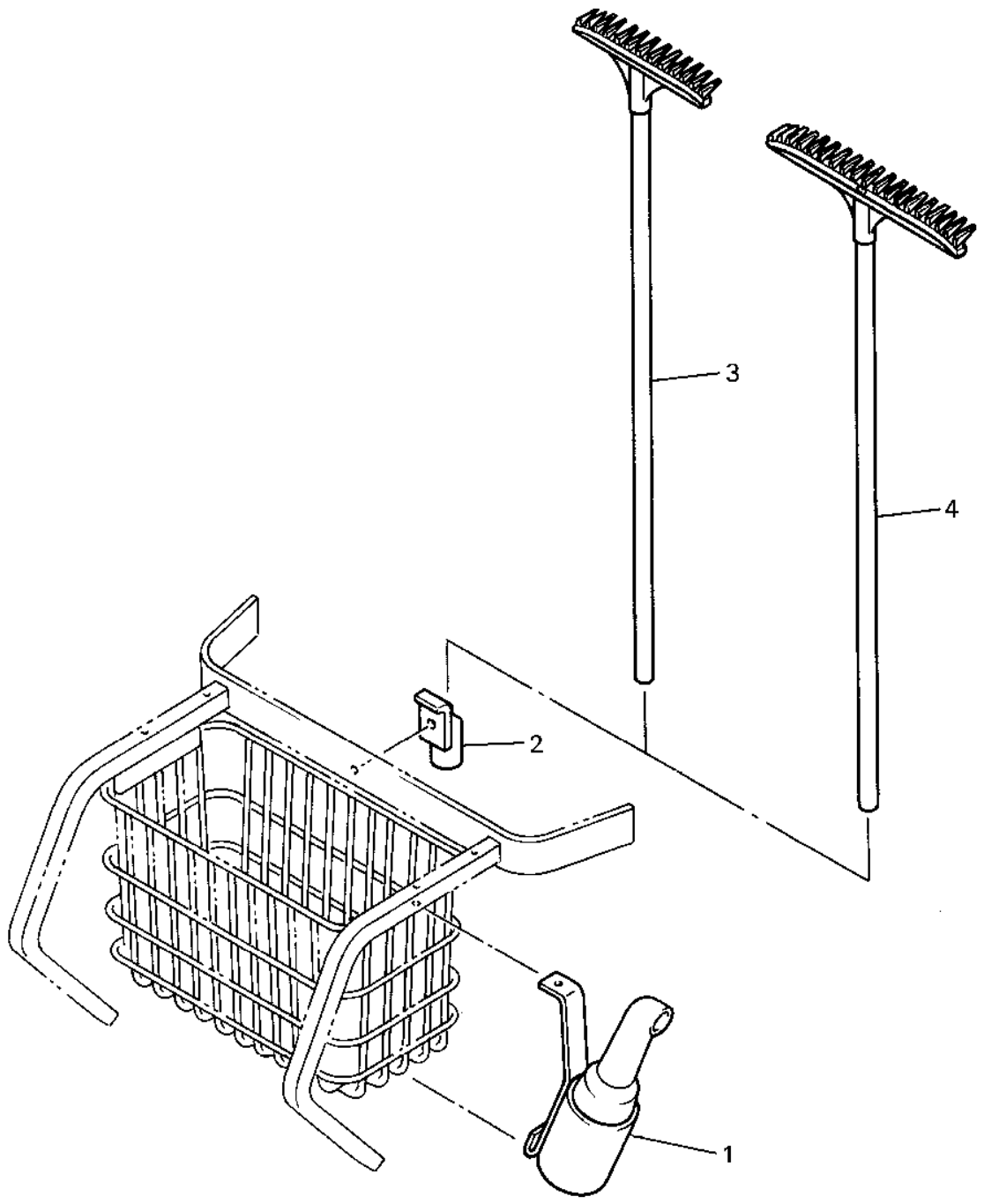


JN3100-5390

Ref. No.	Part Number	Description	Qty	Remarks
----------	-------------	-------------	-----	---------

30	JG5-K810U-00-00	FLEET, NUMBER	1	
----	-----------------	---------------------	---	--

ALTERNATE (SAND BOTTLE)



Ref. No.	Part Number	Description	Qty	Remarks
1	JN3-K8309-00-00	SAND BOTTLE ASSEMBLY ...	1	
2	JG5-K834G-00-00	HOLDER, RAKE	1	
3	JG5-K834H-00-00	RAKE, SAND	1	
4	JG5-K834J-00-00	RAKE, SAND	1	

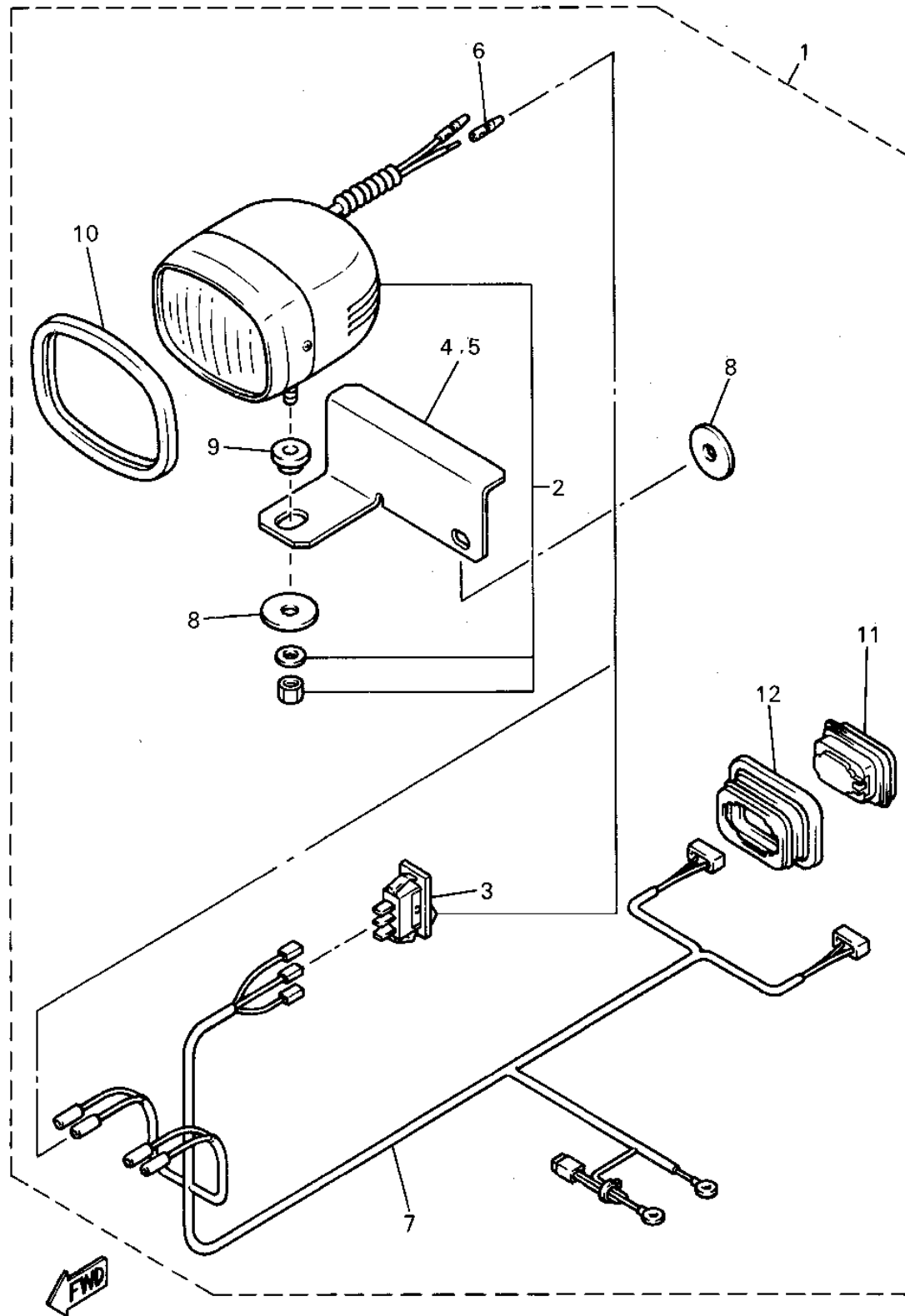


JN3100-5410

ALTERNATE (ENCLOSURE)

Ref. No.	Part Number	Description	Qty	Remarks
1	JN3-K832U-00-00	ENCLOSURE	1	

ALTERNATE (HEADLIGHT)



Ref. No.	Part Number	Description	Qty	Remarks
1	JN3-H430A-00-00	HEADLIGHT UNIT ASSEMBLY	1	
2	JN3-H4300-00-00	. HEAD LIGHT UNIT	2	
3	JN3-H3976-00-00	. . SWITCH, HANDLE	1	
4	JN3-H4118-00-00	. STAY, HEAD LIGHT	1	
5	JN3-H4119-00-00	. STAY, HEAD LIGHT	1	
6	90890-05159-00	. TERMINAL, WIRE (9E2121040100)	2	
7	JN3-H4159-00-00	. CORD, HEADLIGHT	1	
8	90201-108G2-00	. WASHER, PLAIN	4	
9	JN3-H4366-00-00	. DAMPER, HEAD	2	
10	JN3-K7165-00-00	. TRIM,	2	
11	JN3-H4700-00-00	. TAIL LIGHT ASSEMBLY	2	
12	JN3-H4718-00-00	. GROMMET, TAIL	1	

JN3100-5400

ALTERNATE (BATTERY GAUGE)

Ref. No.	Part Number	Description	Qty	Remarks
1	JN4-H350C-00-00	ENERGY GAUGE	1	
2	JN4-H351C-00-00	. GAUGE 1	1	
3	JN3-H3559-00-00	. COVER, METRE	1	
4	95027-06016-00	. BOLT, FLANGE	3	
5	95607-06200-00	. NUT, SELF U-FLANGE	3	
6	90465-11M10-00	. CLAMP	10	
7	JN4-H350D-00-00	INTEGRATED GAUGE	1	
8	JN4-H351D-00-00	. GAUGE 2	1	
9	JN3-H3559-00-00	. COVER, METRE	1	
10	95607-06016-00	. BOLT, STUD	3	
11	95607-06200-00	. NUT, SELF U-FLANGE	3	
12	90465-11M10-00	. CLAMP	15	