



PARTS CATALOGUE

MODEL YEAR 1994

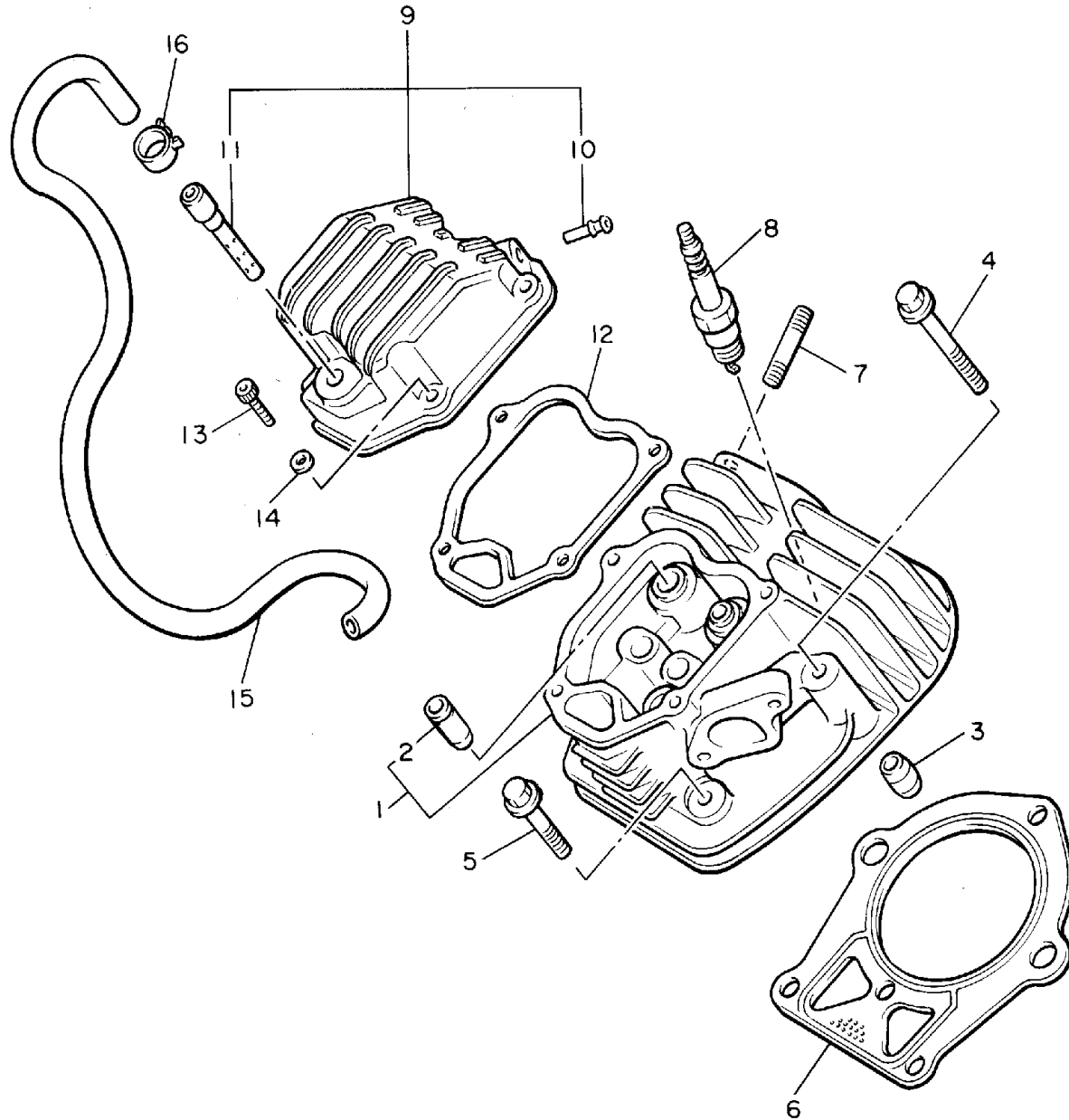
G9-AK (JG52)

Frame Serial No.	JG 5-300101 and following
Engine Serial No.	JG 5-300101 and following

PUBLICATION	PART NUMBER	REMARKS
OWNER'S MANUAL	LIT-19626-00-52	
ASSEMBLY	LIT-19666-00-43	
COUNTRY CLUB	LIT-1001J-G9-94	
SERVICE MANUAL	LIT-19616-G9-00	



CYLINDER

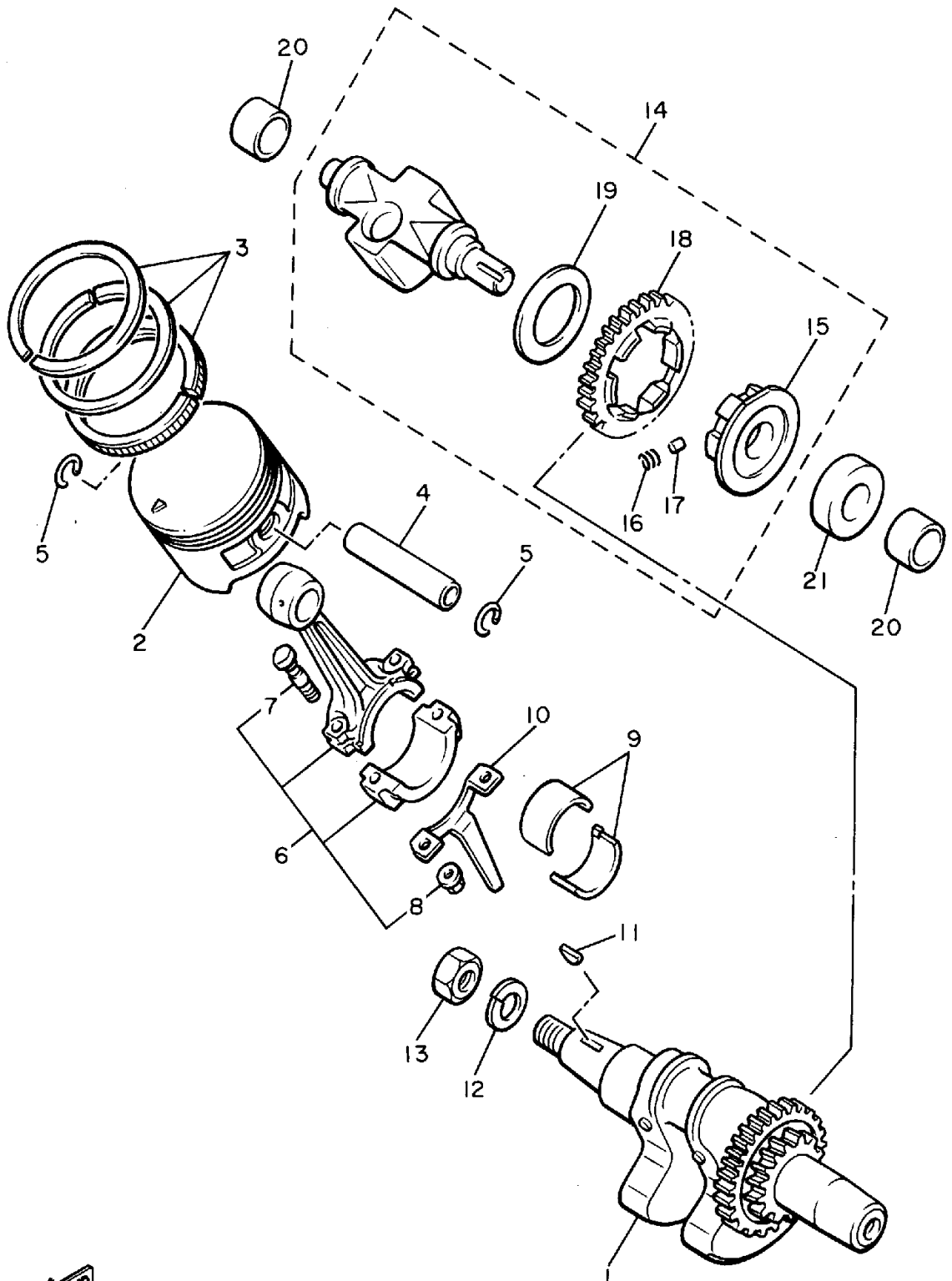


Ref. No.	Part Number	Description	Qty	Remarks
1	J38-11102-00-00	CYLINDER HEAD ASSEMBLY .	1	
2	J38-11133-09-00	. GUIDE, INTAKE VALVE	2	
3	99510-12016-00	PIN, DOWEL	2	
4	95811-08070-00	BOLT, FLANGE	3	
5	95811-08045-00	BOLT, FLANGE (JN5)	3	
6	J38-11181-00-00	GASKET, CYLINDER HEAD 1 .	1	
7	95612-08618-00	BOLT, STUD	2	
8	NGK-B5ES0-00-00	PLUG, SPARK (NGK B5ES) . . .	1	
9	J38-11191-00-00	COVER, CYLINDER HEAD 1 . .	1	
10	J38-11116-00-00	. JOINT, BREATHER	2	
11	J38-24461-00-00	. PIPE, JOINT	1	
12	J38-11193-01-00	GASKET, HEAD COVER 1	1	
13	91316-06025-00	BOLT	4	
14	92990-06600-00	WASHER, PLATE	4	
15	90445-130F8-00	HOSE	1	
16	90467-12052-00	CLIP	2	



J50100-9010

CRANKSHAFT - PISTON

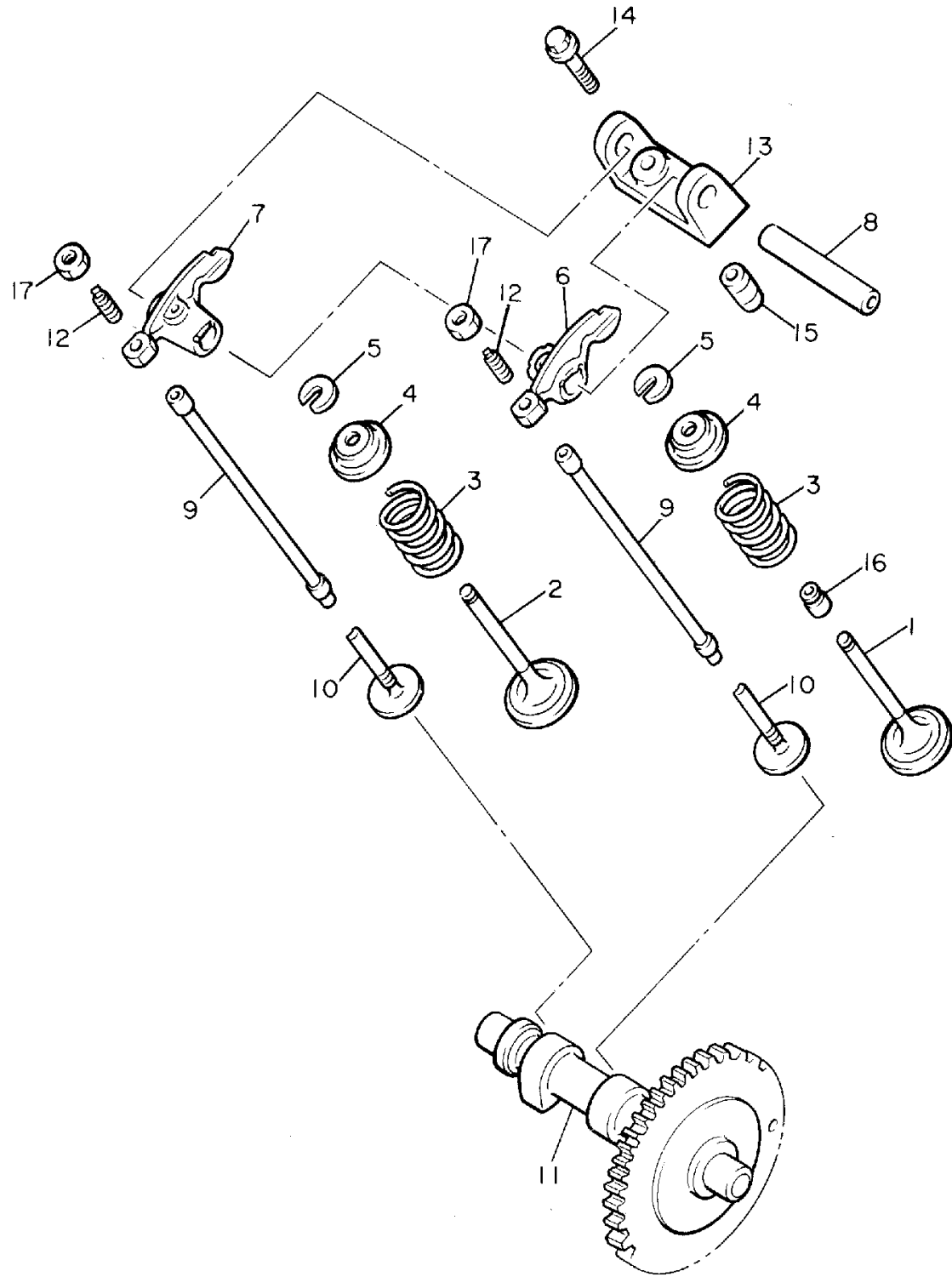


Ref. No.	Part Number	Description	Qty	Remarks
1	J38-11400-00-00	CRANKSHAFT ASSEMBLY ...	1	
2	J38-11631-01-A0	PISTON (STD)	1	STD
	J38-11635-01-00	PISTON (0.25MM O/S)	1	AP
	J38-11636-01-00	PISTON (0.50MM O/S)	1	AP
3	J38-11610-00-00	PISTON RING SET (STD)	1	STD
	J38-11610-10-00	PISTON RING SET (0.25MM O/S)	1	AP
	J38-11610-20-00	PISTON RING SET (0.50MM O/S)	1	AP
4	7A9-11633-00-00	PIN, PISTON	1	
5	93450-19047-00	CIRCLIP	2	
6	J38-11650-00-00	CONNECTING ROD ASSEMBLY	1	
7	J38-11654-00-00	. BOLT, CONNECTING ROD ..	2	
8	90179-08327-00	. NUT	2	
9	J38-11656-00-00	BEARING, CON-ROD	2	UR BROWN
	J38-11656-10-00	BEARING, CON-ROD	2	UR BLACK
	J38-11656-20-00	BEARING, CON-ROD	2	UR BLUE
10	J38-11657-00-00	SPLASHER, OIL	1	
11	90280-16053-00	KEY, WOODRUFF	1	
12	92901-16100-00	WASHER, SPRING	1	
13	90170-16182-00	NUT	1	
14	J38-11500-00-00	BALANCER ASSEMBLY	1	
15	J38-11496-00-00	. BOSS, BUFFER	1	
16	90501-21133-00	. SPRING, COMPRESSION	6	
17	93605-10090-00	. PIN, DOWEL	3	
18	J38-11531-00-00	. GEAR, BALANCE WT	1	
19	90201-201G9-00	. WASHER, PLATE	1	
20	90387-155R3-00	COLLAR	2	
21	90387-152M7-00	COLLAR	1	



J38100-7020

CAMSHAFT - VALVE



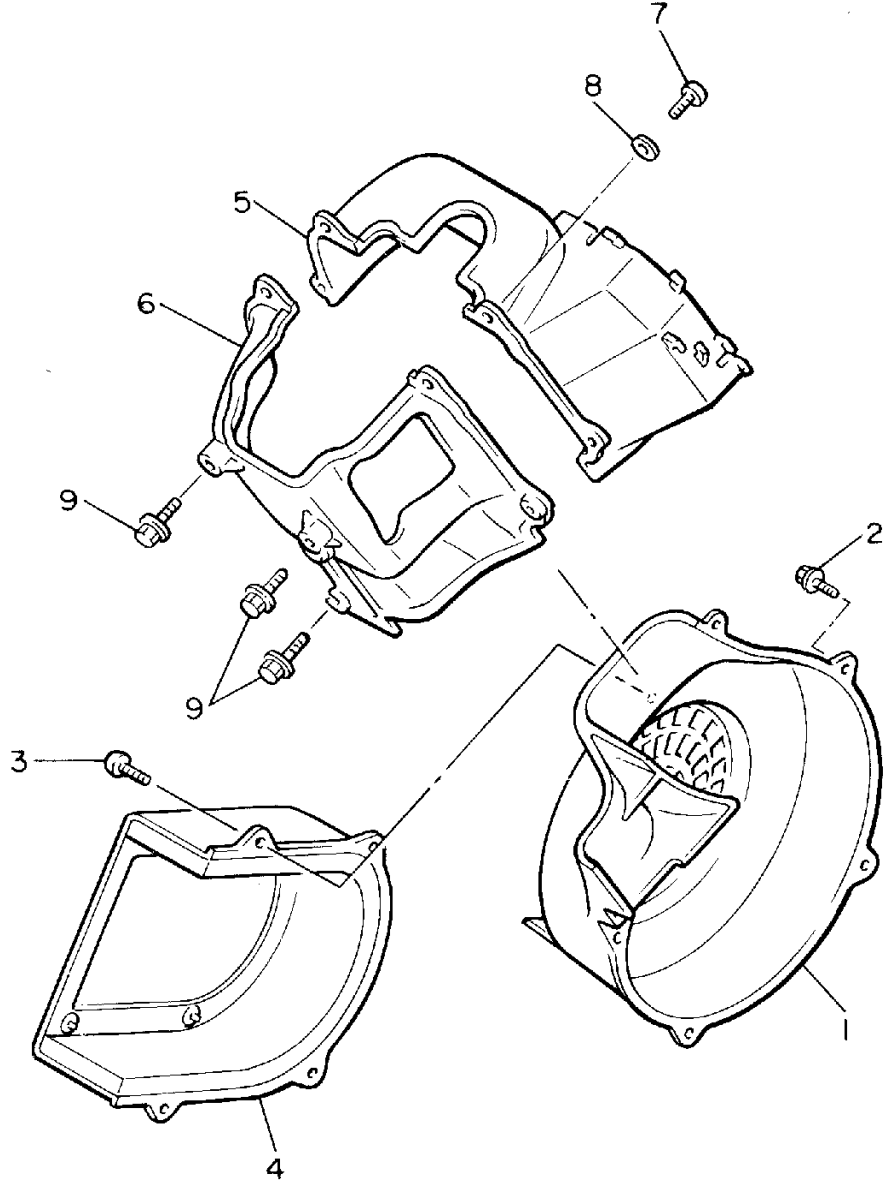
Ref. No.	Part Number	Description	Qty	Remarks
1	J38-12111-01-00	VALVE, INTAKE	1	
2	J38-12121-01-00	VALVE, EXHAUST	1	
3	90501-264A9-00	SPRING, COMPRESSION	2	
4	J38-12117-01-00	RETAINER, VALVE SPRING ..	2	
5	J38-12118-00-00	COTTER, VALVE	2	
6	J38-12151-01-00	ARM, VALVE ROCKER	1	
7	J38-12161-01-00	ARM, VALVE ROCKER 2	1	
8	J38-12156-00-00	SHAFT, ROCKER 2	1	
9	J38-12154-00-00	ROD, VALVE PUSH	2	
10	J38-12153-00-00	LIFTER, VALVE	2	
11	J38-12171-00-00	CAMSHAFT 1	1	
12	J38-12159-00-00	SCREW, VALVE ADJUSTING ..	2	
13	J38-12152-00-00	SUPPORT, ROCKER ARM	1	
14	95811-06030-00	BOLT, FLANGE	2	
15	91810-09014-00	PIN, DOWEL	2	
16	5H0-12119-00-00	SEAL, VALVE STEM	1	
17	90170-06128-00	NUT	2	



J38100-8030

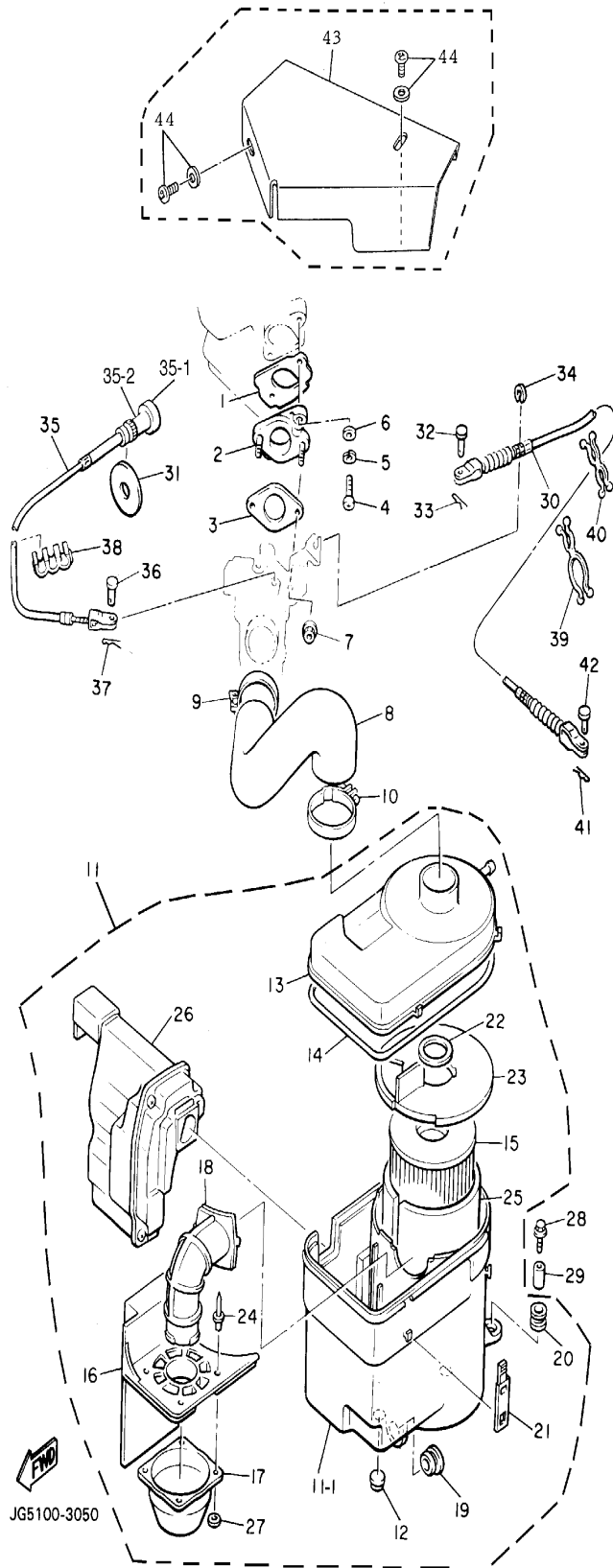
AIR SHROUD - FAN

Ref. No.	Part Number	Description	Qty	Remarks
1	J38-12621-01-00	CASE, FAN	1	
2	95811-06020-00	BOLT, FLANGE	5	
3	97780-60116-00	SCREW, TAPPING	4	
4	J38-12640-00-00	FAN CASE COVER COMP. ...	1	
5	J38-12651-01-00	AIR SHROUD, CYLINDER 1 ...	1	
6	J38-12652-00-00	AIR SHROUD, CYLINDER 2 ...	1	
7	98503-06014-00	SCREW, PAN HEAD (92502-06016)	4	
8	92990-06600-00	WASHER, PLATE	4	
9	90109-06513-00	BOLT	4	



J50100-9040

INTAKE

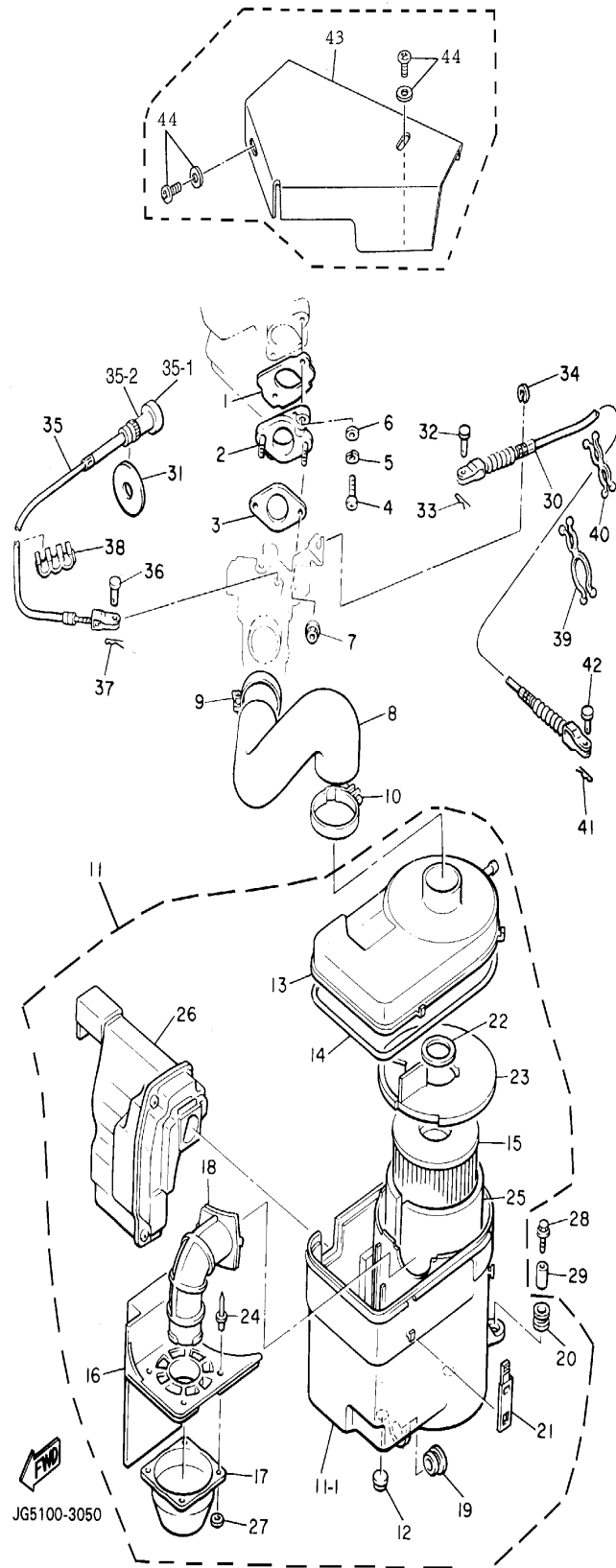


JG5100-3050

Ref. No.	Part Number	Description	Qty	Remarks
1	J38-13556-01-00	GASKET, MANIFOLD	1	
2	J38-13596-00-00	JOINT, CARBURETOR 2	1	
3	J38-13557-01-00	GASKET	1	
4	98580-06030-00	SCREW PAN HEAD	2	
5	92995-06100-00	WASHER, SPRING	2	
6	92990-06600-00	WASHER, PLATE	2	
7	95601-06200-00	NUT, U FLANGE	2	
8	J38-14453-01-00	JOINT, AIR CLEANER 1	1	
9	90460-43053-00	CLAMP, HOSE	1	
10	90460-53239-00	CLAMP, HOSE	1	
11	J38-14410-01-00	AIR CLEANER ASSEMBLY 1	1	
12	90480-14100-00	. GROMMET	2	
13	J38-14412-02-00	. CAP, CLEANER CASE 1	1	
14	50M-14462-01-00	. SEAL	1	
15	J38-14450-00-00	. ELEMENT ASSEMBLY, AIR CLEANER	1	
16	J38-14484-00-00	. PLATE, CLEANER CASE FITTING	1	
17	J38-14479-00-00	. FUNNEL	1	
18	J38-14419-00-00	. PIPE	1	
19	90480-18277-00	. GROMMET	1	
20	90480-13238-00	. GROMMET	2	
21	J10-14436-00-00	. HOOK	4	
22	J38-14416-00-00	. GASKET, AIR CLEANER	1	
23	J38-1441F-01-00	. PARTITION, AIR CLEANER CASE	1	
24	90267-40073-00	. RIVET, BLIND	4	
25	J10-14417-00-00	. COVER 1	1	
26	J38-1446A-01-00	. SURGE TANK ASSEMBLY	1	
27	92990-04200-00	. WASHER, PLAIN	4	

CONTINUED ON NEXT FRAME ►

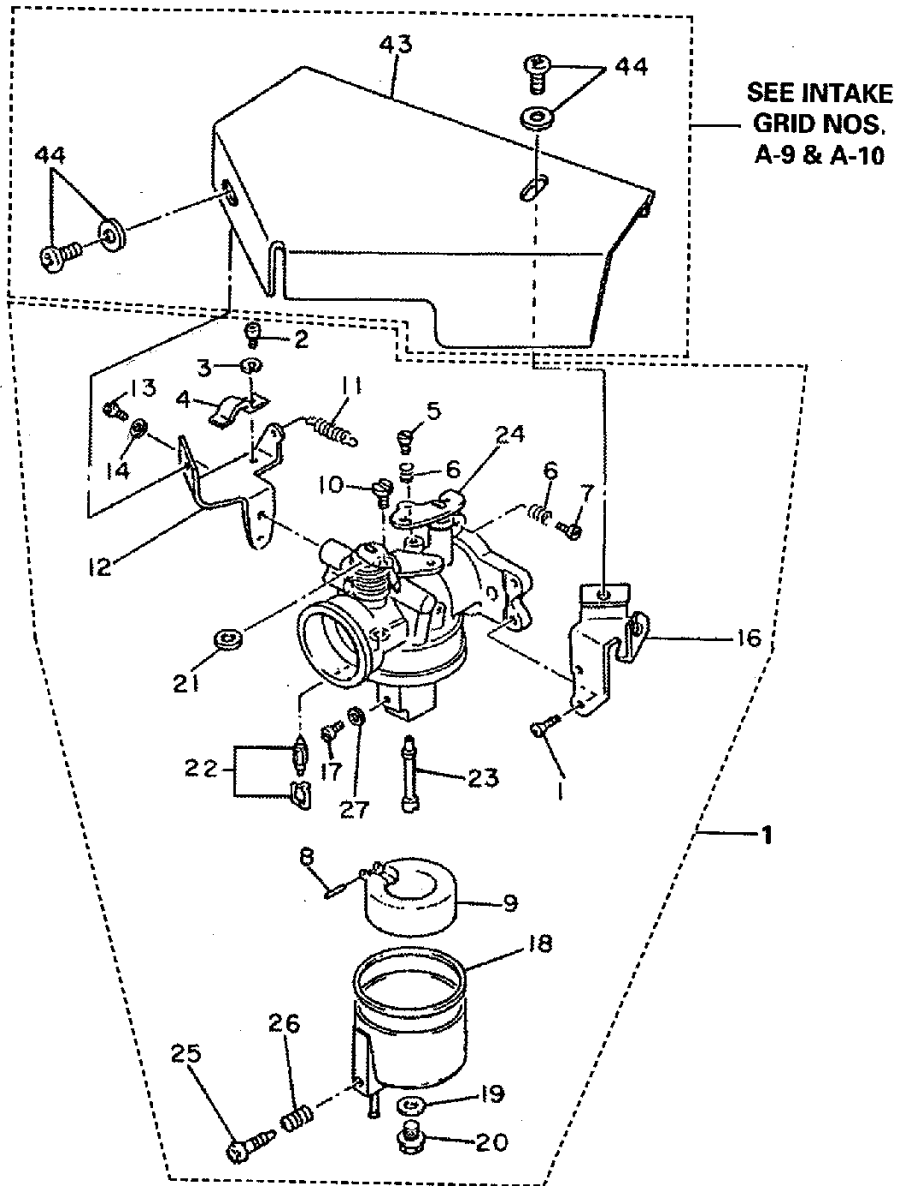
INTAKE



JG5100-3050

Ref. No.	Part Number	Description	Qty	Remarks
28	90119-06097-00	BOLT, WITH WASHER	2	
29	90387-07390-00	COLLAR	2	
30	J38-26312-00-00	CABLE, THROTTLE 2	1	
31	90201-114E6-00	WASHER, PLATE	1	
32	91701-05010-00	PIN, CYLINDER. HEAD	1	
33	90468-10050-00	CLIP	1	
34	99080-07600-00	CIRCLIP (E)	1	
35	JF2-F6331-01-00	CABLE, STARTER 1	1	YPAD
36	91701-05010-00	PIN, CYLINDER. HEAD	1	
37	90468-10050-00	CLIP	1	
38	90468-07179-00	CLIP	1	
39	90464-26114-00	CLAMP	1	
40	90464-16115-00	CLAMP	2	
41	90468-10050-00	CLIP	1	
42	91701-05010-00	PIN, CYLINDER. HEAD	1	
43	JG5-E4283-00-00	COVER, CARBURETOR 1	1	
44	90159-05132-00	SCREW, WITH WASHER	1	
	90159-05132-00	SCREW, WITH WASHER	2	INCLUDED WITH PART NUMBER JG5-CARBK-IT-94
	JG5-14291-00-00	BRACKET 1	1	INCLUDED WITH PART NUMBER JG5-CARBK-IT-94
	JG5-14581-00-00	BRACKET	1	INCLUDED WITH PART NUMBER JG5-CARBK-IT-94
	JG5-CARBK-IT-94	CARB. COVER KIT- 4		OPTIONAL PART
	JG5-E4283-00-00	COVER, CARBURETOR 1	1	INCLUDED WITH PART NUMBER JG5-CARBK-IT-94
11-1	J38-14411-01-00	. CASE, AIR CLEANER 1	1	

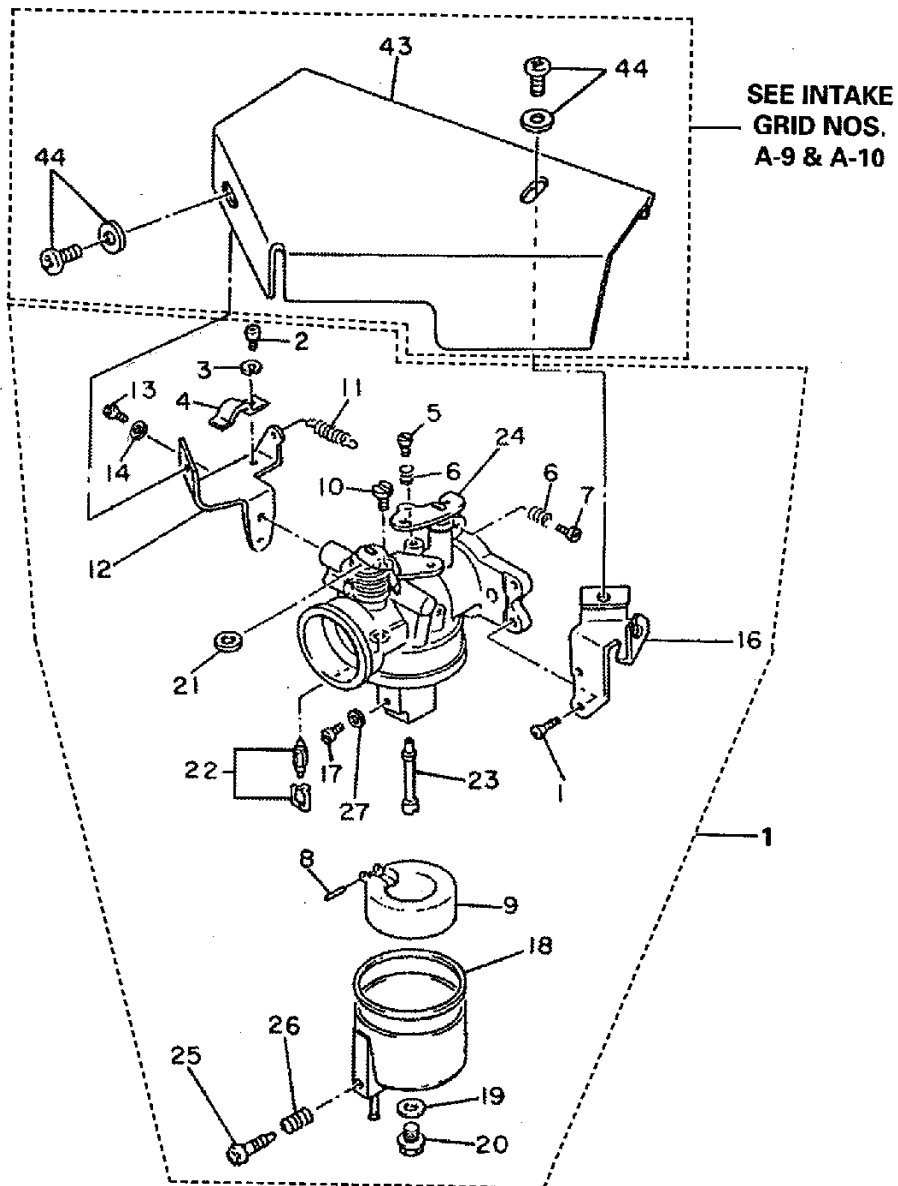
CARBURETOR



Ref. No.	Part Number	Description	Qty	Remarks
1	J38-14101-02-00	CARBURETOR ASSEMBLY 1	1	
2	98580-05010-00	. SCREW, PAN HEAD	1	
3	92990-05100-00	. WASHER, SPRING	1	
4	J38-14243-00-00	. PLATE	1	
5	75G-14211-00-00	. SCREW, PILOT ADJUSTING	1	
6	620-14212-00-00	. SPRING, PILOT ADJUSTING	2	
7	J10-14122-00-00	. SCREW, THROTTLE	1	
8	22F-14186-00-00	. PIN, FLOAT	1	
9	J38-14185-00-00	. FLOAT	1	
10	620-14142-67-00	. JET, PILOT (#67.5)	1	AP FOR HIGH LAND
	620-14142-72-00	. JET, PILOT (#72.5)	1	STD
11	J38-14133-00-00	. SPRING, THROTTLE STOP	1	
12	JG5-14581-00-00	. BRACKET	1	
13	98580-06010-00	. SCREW, PAN HEAD (92503-06010)	1	
14	92995-06100-00	. WASHER, SPRING	1	
15	98701-05008-00	. SCREW, FLAT HEAD	2	
16	JG5-14291-00-00	. BRACKET 1	1	
17	3G2-1423E-41-00	. JET, MAIN (#103.8)	1	AP FOR HIGH LAND
	3G2-1423E-42-00	. JET, MAIN (#106.3)	1	STD
18	796-14184-00-00	. GASKET, FLOAT CHAMBER	1	
19	127-14198-00-00	. GASKET	1	
20	7R1-14162-00-00	. BOLT, HOLDING	1	
21	J10-14597-00-00	. WASHER	1	
22	J38-14150-00-00	. NEEDLE ASSEMBLY	1	
23	J38-14141-00-00	. NOZZLE, MAIN	1	
24	J38-14202-09-00	. THROTTLE LEVER COMP	1	
25	7E1-14191-00-00	. PLUG, DRAIN	1	
26	73A-14212-00-00	. SPRING	1	

CONTINUED ON NEXT FRAME ►

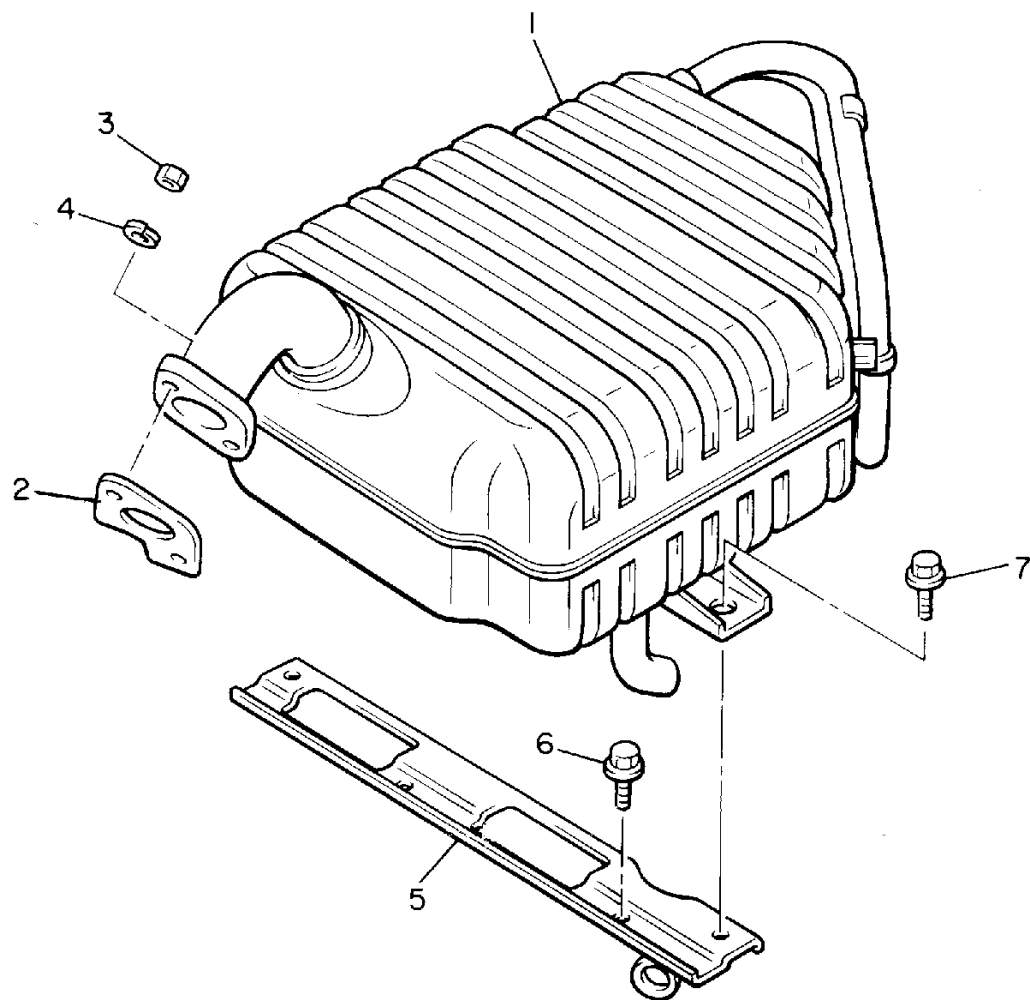
CARBURETOR



Ref. No.	Part Number	Description	Qty	Remarks
27	J10-14131-00-00	. SPRING, THROTTLE	1	OPTIONAL PART
	J10-14535-00-00	. BUSHING, THROTTLE SHAFT	1	OPTIONAL PART
	J10-14582-00-00	. ARM, CHOKE	1	OPTIONAL PART
	J38-14218-00-00	. SPRING, LOWER CHOKE	1	OPTIONAL PART
	J38-14589-00-00	. SPRING, UPPER CHOKE	1	OPTIONAL PART
	JH2-14153-00-00	. WASHER, MAIN JET	1	

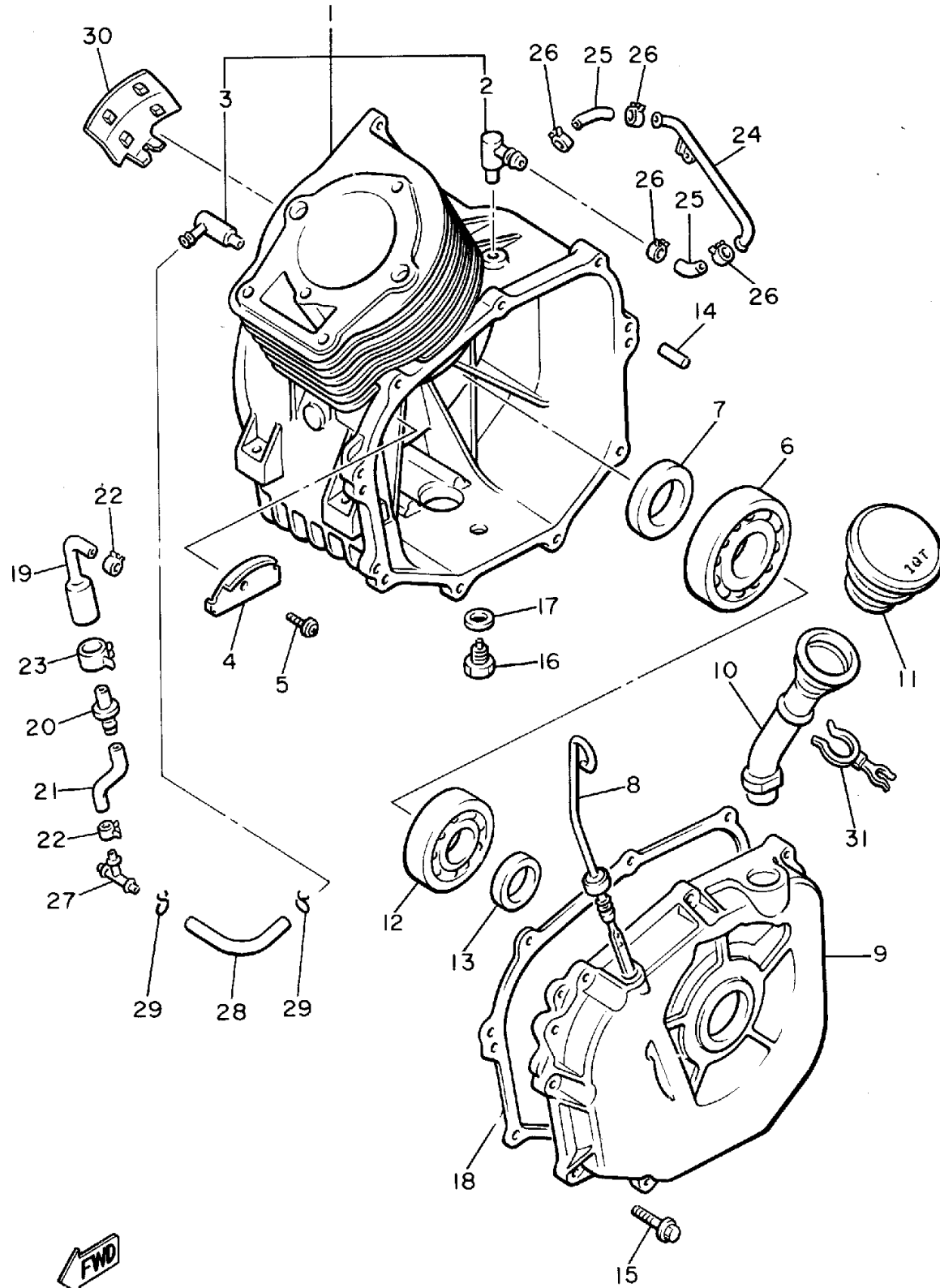
EXHAUST

Ref. No.	Part Number	Description	Qty	Remarks
1	J55-E4710-01-00	MUFFLER ASSEMBLY 1	1	YPAD
2	J38-14613-01-00	GASKET, EXHAUST PIPE	1	
3	95380-08600-00	NUT	2	
4	92990-08100-00	WASHER	2	
5	J38-14771-00-00	STAY, MUFFLER 1	1	
6	95026-10020-00	BOLT, FLANGE	2	
7	90119-08119-00	BOLT, WITH WASHER	2	



J55100-9070

CRANKCASE



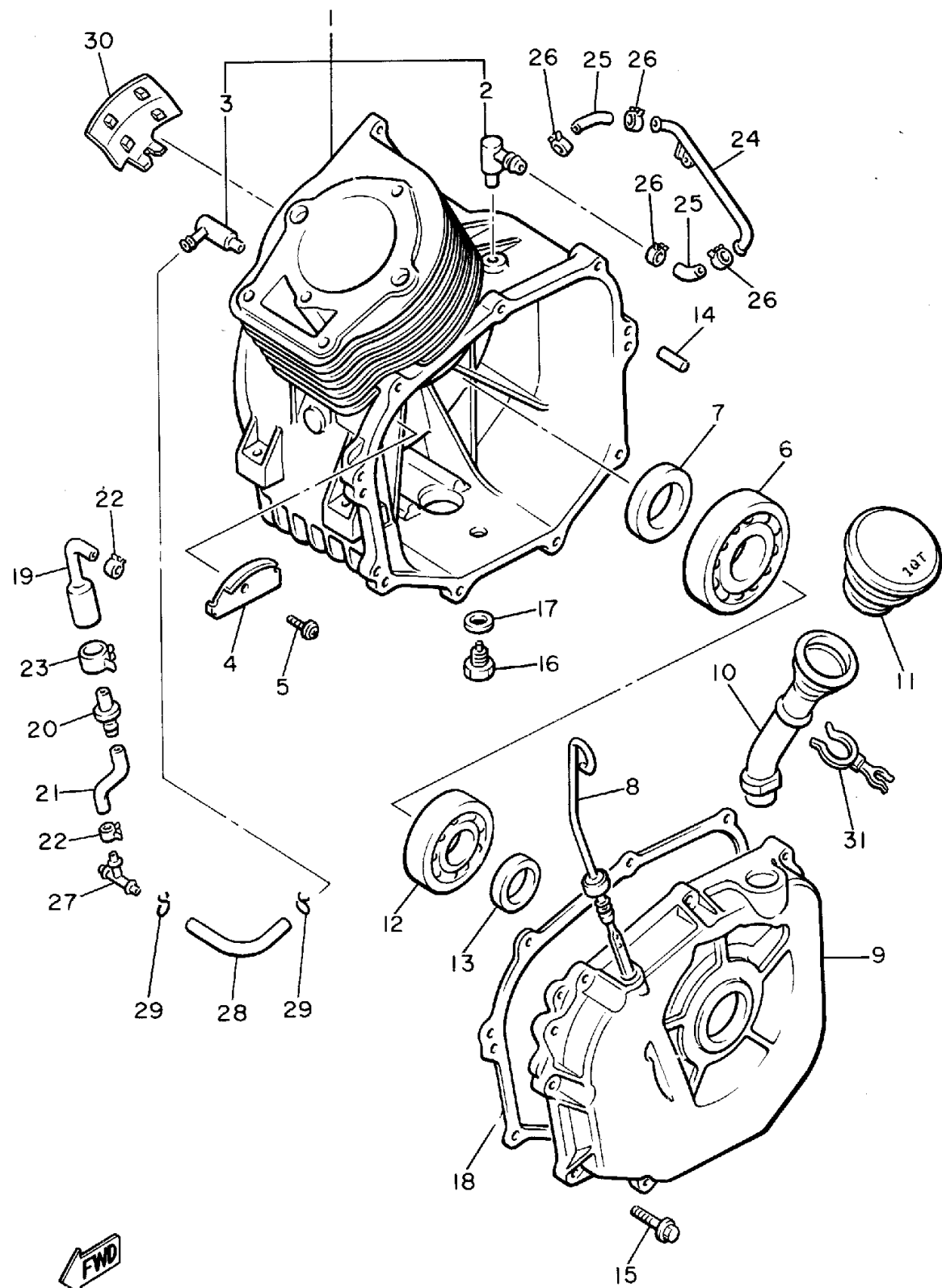
Ref. No.	Part Number	Description	Qty	Remarks
1	J38-15100-02-00	CRANKCASE ASSEMBLY	1	
2	J38-15148-00-00	. NOZZLE 2	1	
3	J38-15155-00-00	. NOZZLE 3	1	
4	J38-15123-00-00	PLATE, BUFFLE 1	1	
5	90159-05117-00	SCREW, w/washer	1	
6	93306-30709-00	BEARING	1	
7	93102-35191-00	OIL SEAL	1	
8	J38-15361-00-00	GAUGE, LEVEL	1	
9	J38-15411-01-00	COVER, CRANKCASE 1	1	
10	J38-15112-00-00	PIPE, OIL	1	
11	J38-15363-00-00	PLUG, OIL	1	
12	93306-30630-00	BEARING	1	
13	93102-30195-00	OIL SEAL	1	
14	93608-12063-00	PIN, DOWEL	2	
15	95811-08035-00	BOLT, FLANGE (95821-08035)	9	
16	97001-12020-00	BOLT	1	
17	812-11198-00-00	GASKET	1	
18	J38-15451-01-00	GASKET,	1	
19	J38-14388-00-00	VALVE, VACUUM CONTROL	1	
20	J38-13115-00-00	CONNECTOR, SUCTION PIPE	1	
21	90445-113E4-00	HOSE	1	
22	90467-10008-00	CLIP	2	
23	90468-08104-00	CLIP	1	
24	J38-13161-00-00	PIPE, DELIVERY 1	1	
25	90445-110E6-00	HOSE	2	
26	90467-10008-00	CLIP	4	
27	807-24376-00-00	PIPE, JOINT 1	1	
28	90445-09073-00	HOSE	1	
29	90467-08017-00	CLIP	2	

CONTINUED ON NEXT FRAME ►



J38100-7080

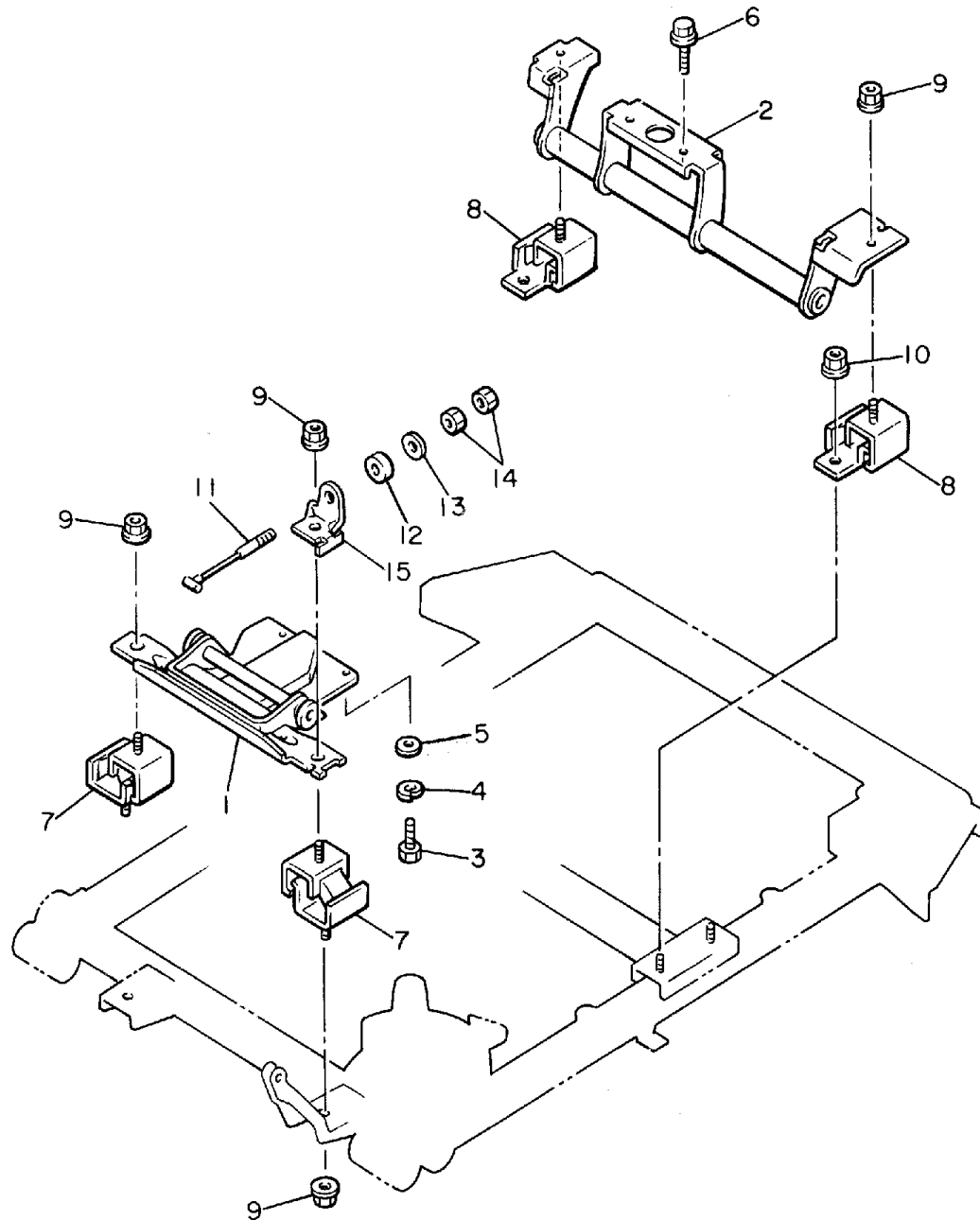
CRANKCASE



Ref. No.	Part Number	Description	Qty	Remarks
30	J38-11355-00-00	SEAL, CYLINDER 1	1	
31	90464-15093-00	CLAMP	1	

J38100-7080

ENGINE BRACKET

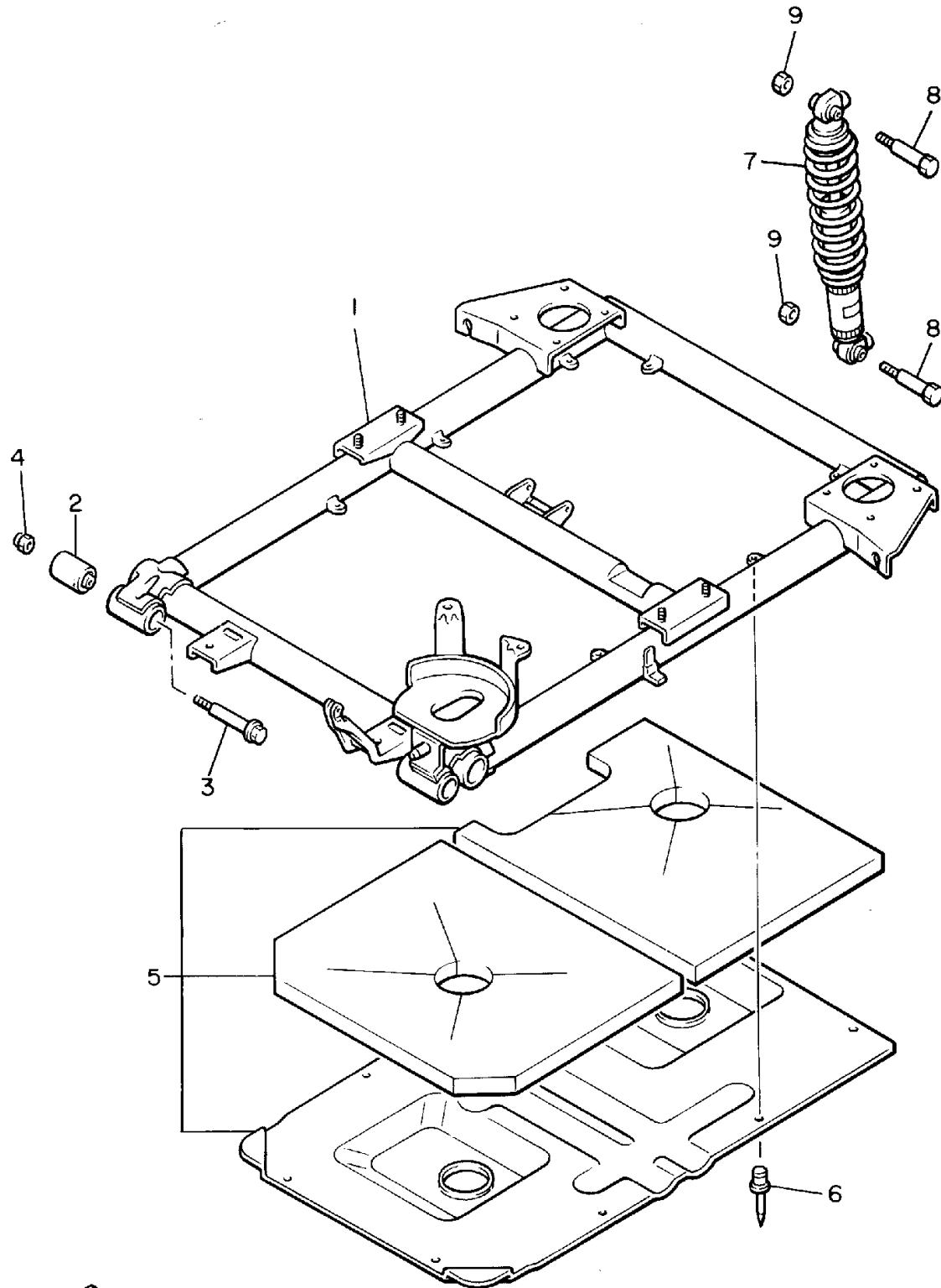


Ref. No.	Part Number	Description	Qty	Remarks
1	J38-21411-02-00	BRACKET, ENGINE 1	1	
2	J55-F1419-00-00	BRACKET, ENGINE 2	1	YPAD
3	97011-10025-00	BOLT	2	
4	92901-10100-00	WASHER, SPRING	2	
5	92990-10600-00	WASHER, PLATE	2	
6	95021-10040-00	BOLT, FLANGE	2	
7	J38-21486-00-00	DAMPER 2	2	
8	J38-21488-00-00	DAMPER	2	
9	95701-10500-00	NUT, FLANGE (95702-10500) ..	6	
10	95701-08500-00	NUT, FLANGE	4	
11	J31-2217J-01-00	TENSIONER 1	1	
12	J17-2214F-00-00	DAMPER 1	1	
13	90201-06778-00	WASHER, PLATE	1	
14	95380-06600-00	NUT	2	
15	J38-2141A-00-00	BRACKET 1	1	



J38100-8090

REAR ARM - SUSPENSION

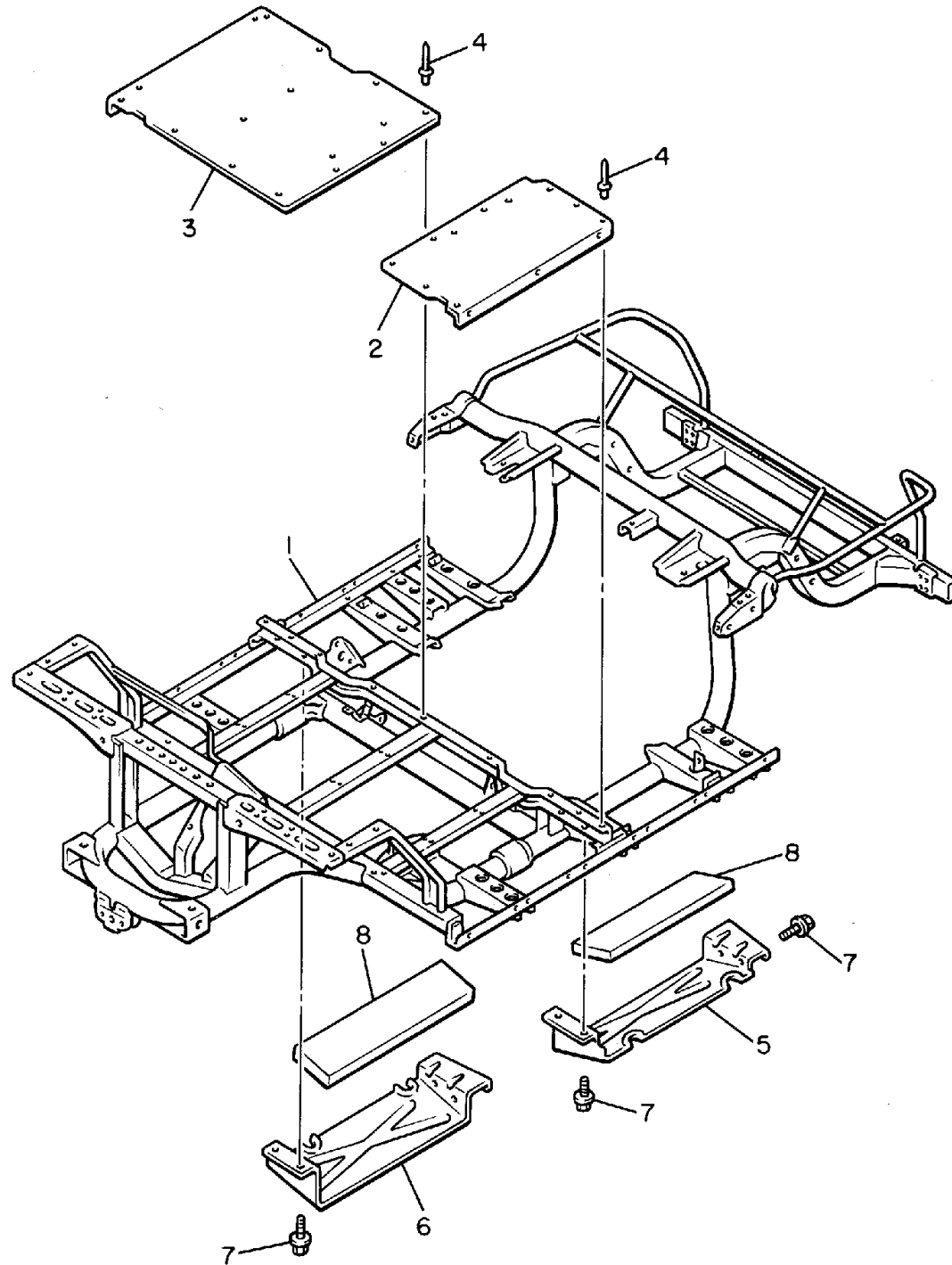


Ref. No.	Part Number	Description	Qty	Remarks
1	J55-F2110-W0-00	REAR ARM COMP.	1	YPAD
2	J10-22123-00-00	BUSH 1	2	
3	90105-10359-00	BOLT, WASHER BASED	2	
4	90185-10115-00	NUT, SELF-LOCKING	2	
5	J55-F2130-00-00	ARM SUB COMP 1	1	YPAD
6	90267-40127-00	RIVET, BLIND	9	
7	JG5-F2210-00-00	SHOCK ABSORBER ASSEMBLY,	2	YPAD
8	97012-10050-00	BOLT (97002-10050-00)	4	
9	95601-10100-00	NUT, U (95602-10100-00)	4	



JG5100-3100

FRAME

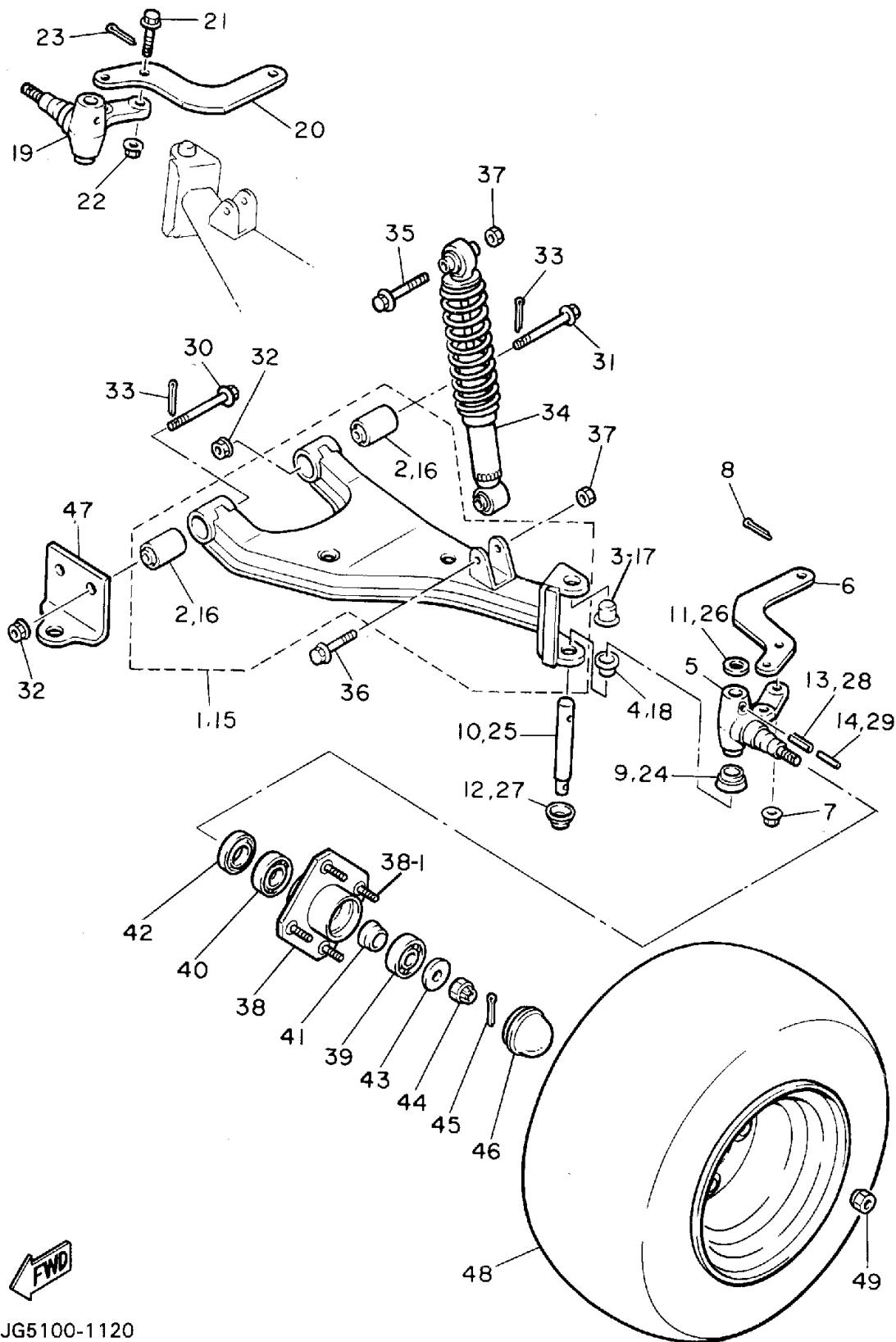


Ref. No.	Part Number	Description	Qty	Remarks
1	JG5-F2501-02-00	FRAME COMP.	1	YPAD
2	J55-F2571-00-00	PANEL 1	1	YPAD
3	J55-F2572-00-00	PANEL 2	1	YPAD
4	90267-40054-00	RIVET, BLIND	20	
5	J38-22592-00-00	PLATE 1	1	
6	J38-22593-00-00	PLATE 2	1	
7	95811-06010-00	BOLT, FLANGE	8	
8	J55-K825H-00-00	PAD, SILENCER 4	2	YPAD



JA3300-8110

FRONT SUSPENSION - WHEEL



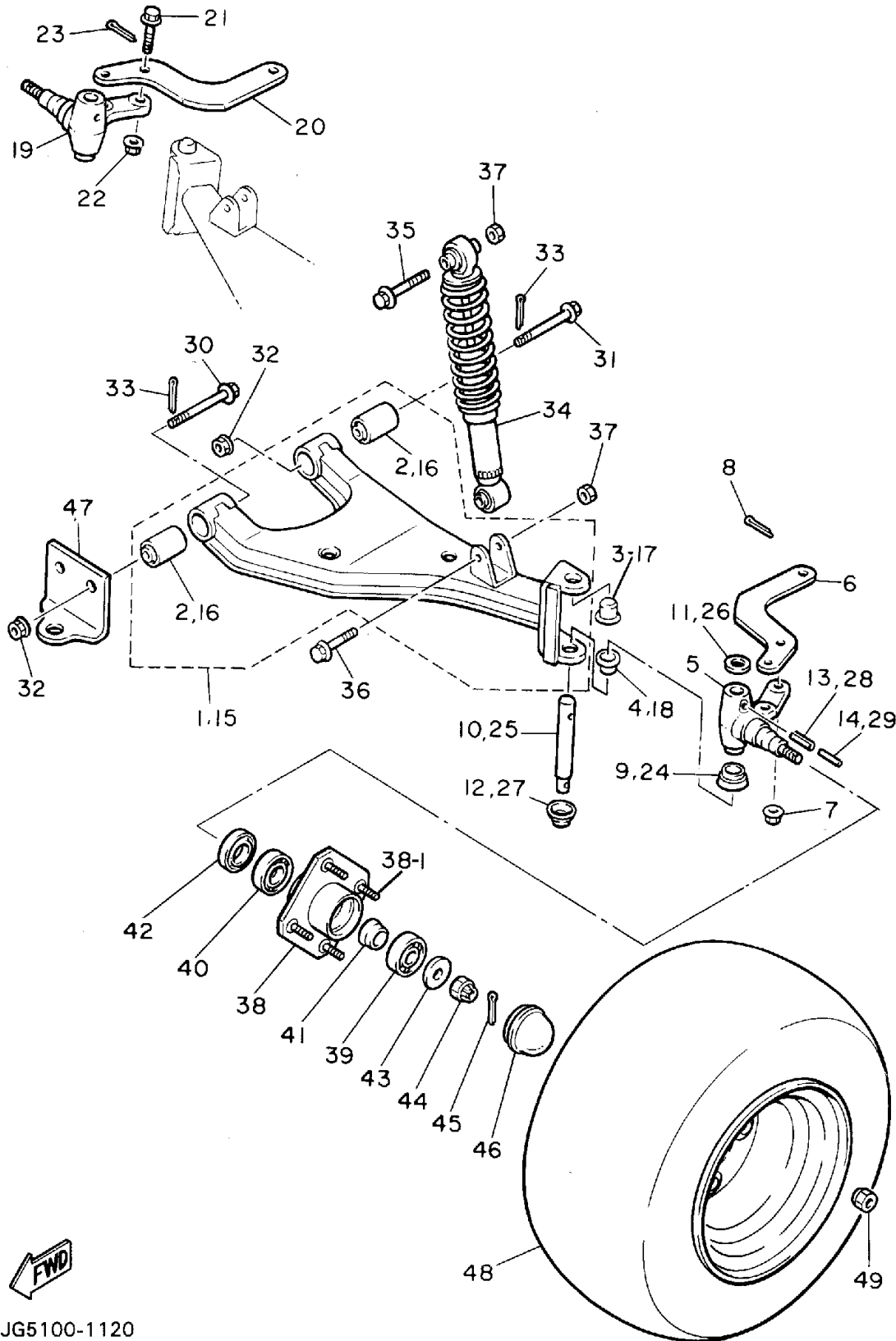
Ref. No.	Part Number	Description	Qty	Remarks
1	J55-F3570-00-00	FRONT LOWER ARM SUB-ASSEMBLY (L.H)	1	YPAD
2	J38-23526-00-00	. BUSH	2	
3	90338-17225-00	PLUG	1	
4	90386-15139-00	BUSH	1	
5	J38-23511-01-00	KNUCKLE, STEERING 1	1	
6	J38-23512-02-00	ARM, KNUCKLE 1	1	
7	90185-10115-00	NUT, SELF-LOCKING	2	
8	91401-25020-00	PIN, COTTER	2	
9	J38-23527-00-00	SEAL, DUST	1	
10	J38-23516-00-00	PIN, STEERING KNUCKLE	1	YPAD
11	90201-156J2-00	WASHER, PLAIN	1	
12	J38-23528-00-00	SEAL, DUST	1	
13	91609-60028-00	PIN, SPRING	1	
14	91609-35028-00	PIN, SPRING	1	
15	J55-F3580-00-00	FRONT LOWER ARM SUB-ASSEMBLY (R.H)	1	YPAD
16	J38-23526-00-00	. BUSH	2	
17	90338-17225-00	PLUG	1	
18	90386-15139-00	BUSH	1	
19	J38-23521-01-00	KNUCKLE, STEERING 2	1	
20	J38-23512-02-00	ARM, KNUCKLE 1	1	
21	90105-10360-00	BOLT, FLANGE	2	
22	90185-10115-00	NUT, SELF-LOCKING	2	
23	91401-25020-00	PIN, COTTER	2	
24	J38-23527-00-00	SEAL, DUST	1	
25	J38-23516-00-00	PIN, STEERING KNUCKLE	1	YPAD
26	90201-156J2-00	WASHER, PLAIN	1	
27	J38-23528-00-00	SEAL, DUST	1	

CONTINUED ON NEXT FRAME ►



JG5100-1120

FRONT SUSPENSION - WHEEL

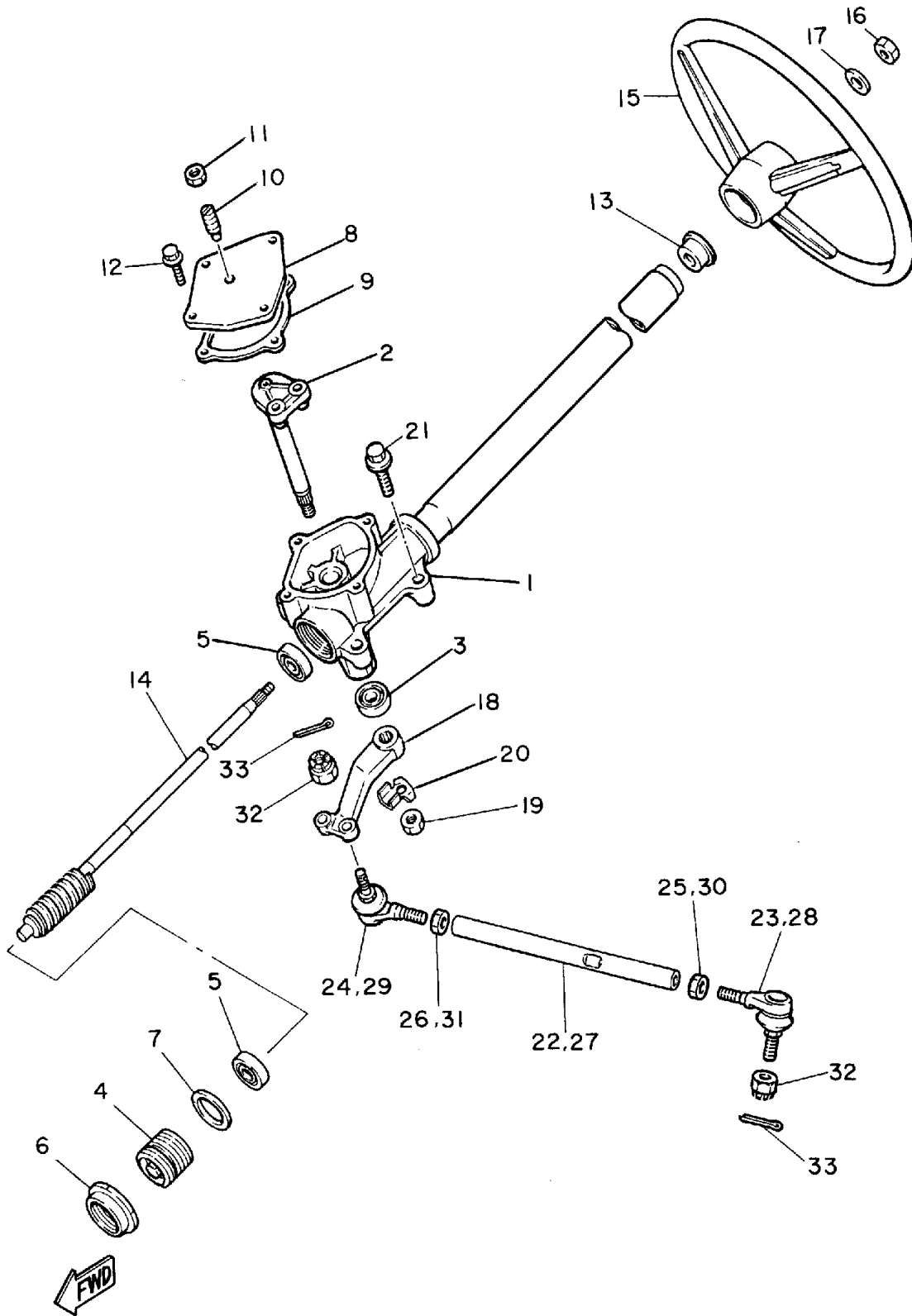


Ref. No.	Part Number	Description	Qty	Remarks
28	91609-60028-00	PIN, SPRING	1	
29	91609-35028-00	PIN, SPRING	1	
30	90105-10357-00	BOLT, FLANGE	2	
31	90105-10357-00	BOLT, FLANGE	2	
32	90185-10115-00	NUT, SELF-LOCKING	4	
33	91401-25020-00	PIN, COTTER	4	
34	JG5-F3350-00-00	SHOCK ABSORBER ASSEMBLY	2	YPAD
35	97002-10065-00	BOLT	2	
36	97012-10050-00	BOLT (97002-10050-00)	2	
37	95601-10100-00	NUT, U (95602-10100-00)	4	
38	JG5-WF511-00-00	HUB	2	
39	93306-20437-00	BEARING	2	
40	93306-00511-00	BEARING	2	
41	90387-241M7-00	COLLAR	2	
42	93102-30083-00	SEAL, OIL	2	
43	90209-32271-00	WASHER	2	
44	95601-14100-00	NUT, U (95602-14100-00)	2	
45	91401-25020-00	PIN, COTTER	2	
46	J17-25118-00-00	COVER, HUB DUST	2	
47	ABA-JF287-00-00	BRACKET 1 ASSEMBLY	1	
48	JG5-F5100-10-00	REAR WHEEL ASSEMBLY	2	LM
49	90179-12262-00	NUT	8	
38-1	90114-12800-00	. BOLT, RIBBED NECK	8	



JG5100-1120

STEERING

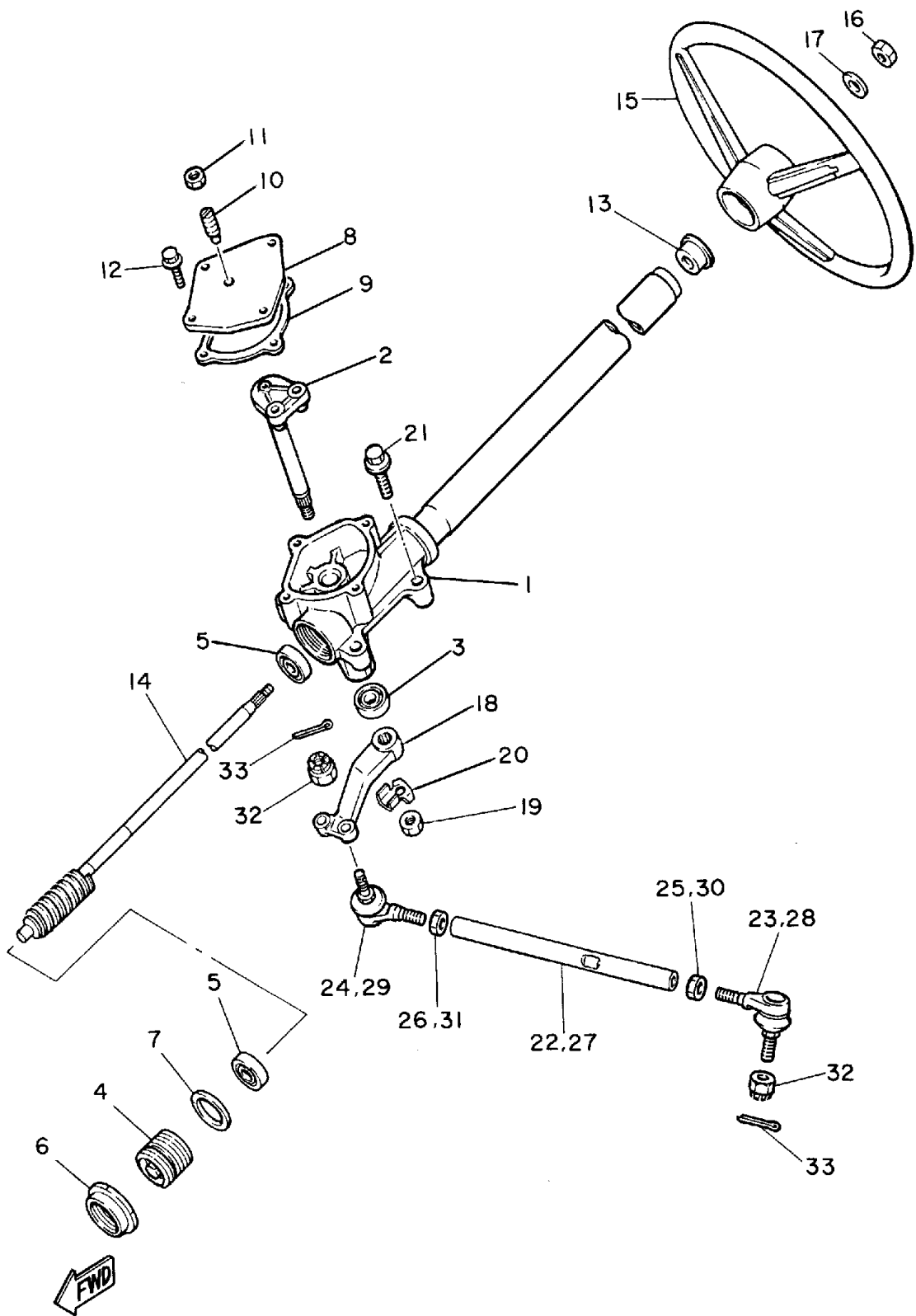


J41110-5040

Ref. No.	Part Number	Description	Qty	Remarks
1	JG5-F3811-00-00	COLUMN, STEERING	1	YPAD
2	J38-23816-00-00	ARM, PITMAN	1	
3	93102-22314-00	SEAL, OIL	1	
4	J55-F3876-00-00	BOLT	1	YPAD
5	93332-00010-00	BEARING	2	
6	J10-23877-00-00	NUT	1	
7	J10-23444-00-00	WASHER	1	
8	J55-23818-00-00	COVER, STEERING	1	
9	J38-23462-00-00	SEAL, STEERING (J38-23462-01-00)	1	
10	J10-23459-00-00	BOLT	1	
11	90170-08024-00	NUT, HEX.	1	
12	95811-06020-00	BOLT, FLANGE	4	
13	J38-23814-00-00	HOLDER, HANDLE UPPER	1	
14	J10-23840-00-00	STEERING SHAFT	1	
15	JF2-F3838-00-00	WHEEL, STEERING	1	YPAD
16	90185-12119-00	NUT, SELF-LOCKING	1	
17	92990-12200-00	WASHER, PLAIN	1	
18	J38-23826-01-00	ARM, IDLER	1	
19	95701-16300-00	NUT, FLANGE	1	
20	90215-16252-00	WASHER, TONGUE	1	
21	95811-10050-00	BOLT, FLANGE (95812-10050-00)	4	
22	J38-23831-02-00	ROD, TIE	1	YPAD
23	J38-23841-01-00	JOINT, UNIVERSAL 1	1	YPAD
24	J38-23845-01-00	JOINT, UNIVERSAL 2	1	YPAD
25	90170-12055-00	NUT	1	
26	90170-12054-00	NUT	1	
27	J38-23837-02-00	ROD, TIE 2	1	YPAD

CONTINUED ON NEXT FRAME ►

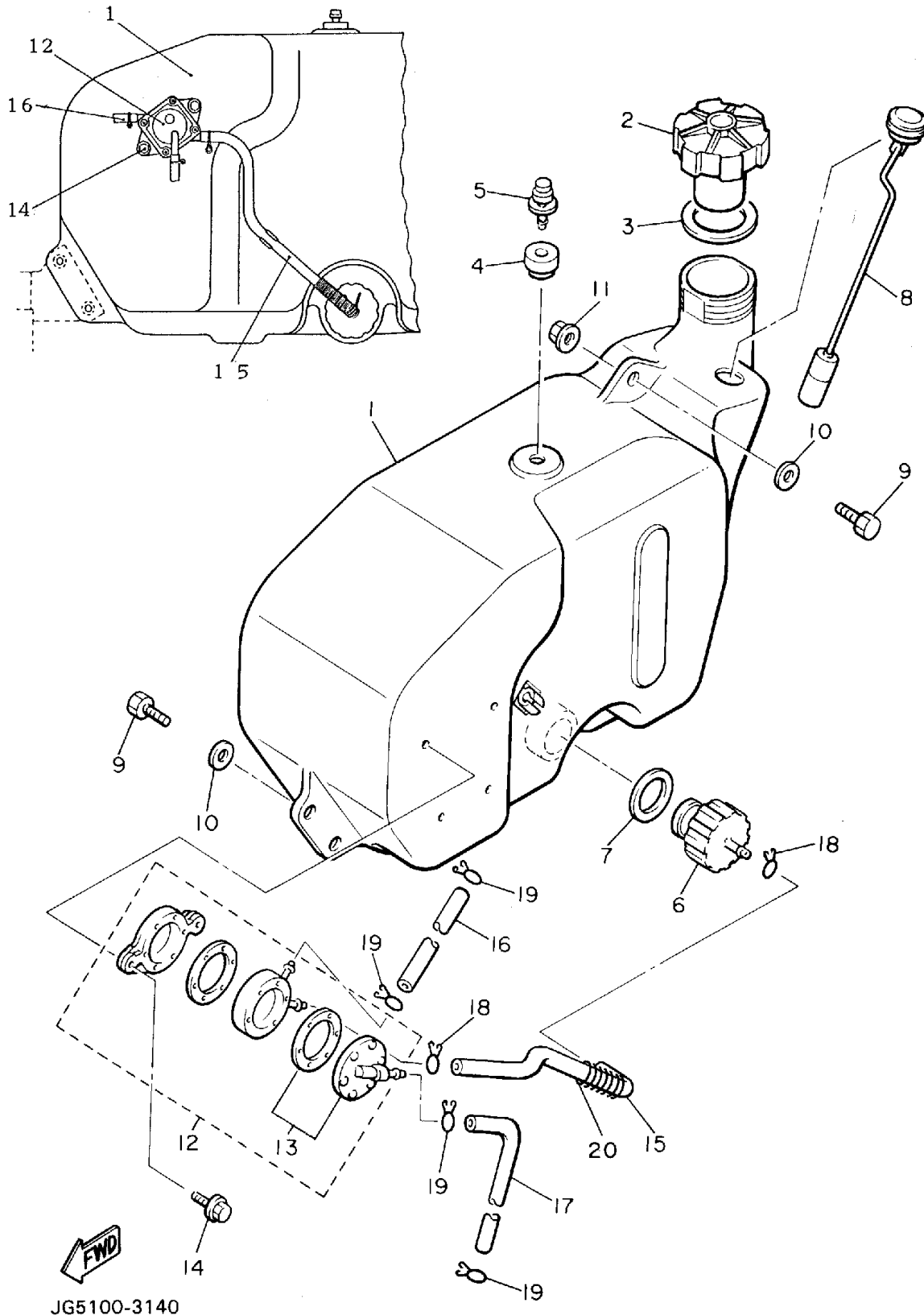
STEERING



Ref. No.	Part Number	Description	Qty	Remarks
28	J38-23841-01-00	JOINT, UNIVERSAL 1	1	YPAD
29	J38-23845-01-00	JOINT, UNIVERSAL 2	1	YPAD
30	90170-12055-00	NUT	1	
31	90170-12054-00	NUT	1	
32	95601-10100-00	NUT, U (95602-10100-00)	4	
33	91401-25020-00	PIN, COTTER	4	
	G9A-PARTS-BO-AR	ASSEMBLY HARDWARE	OPTIONAL PARTG9A

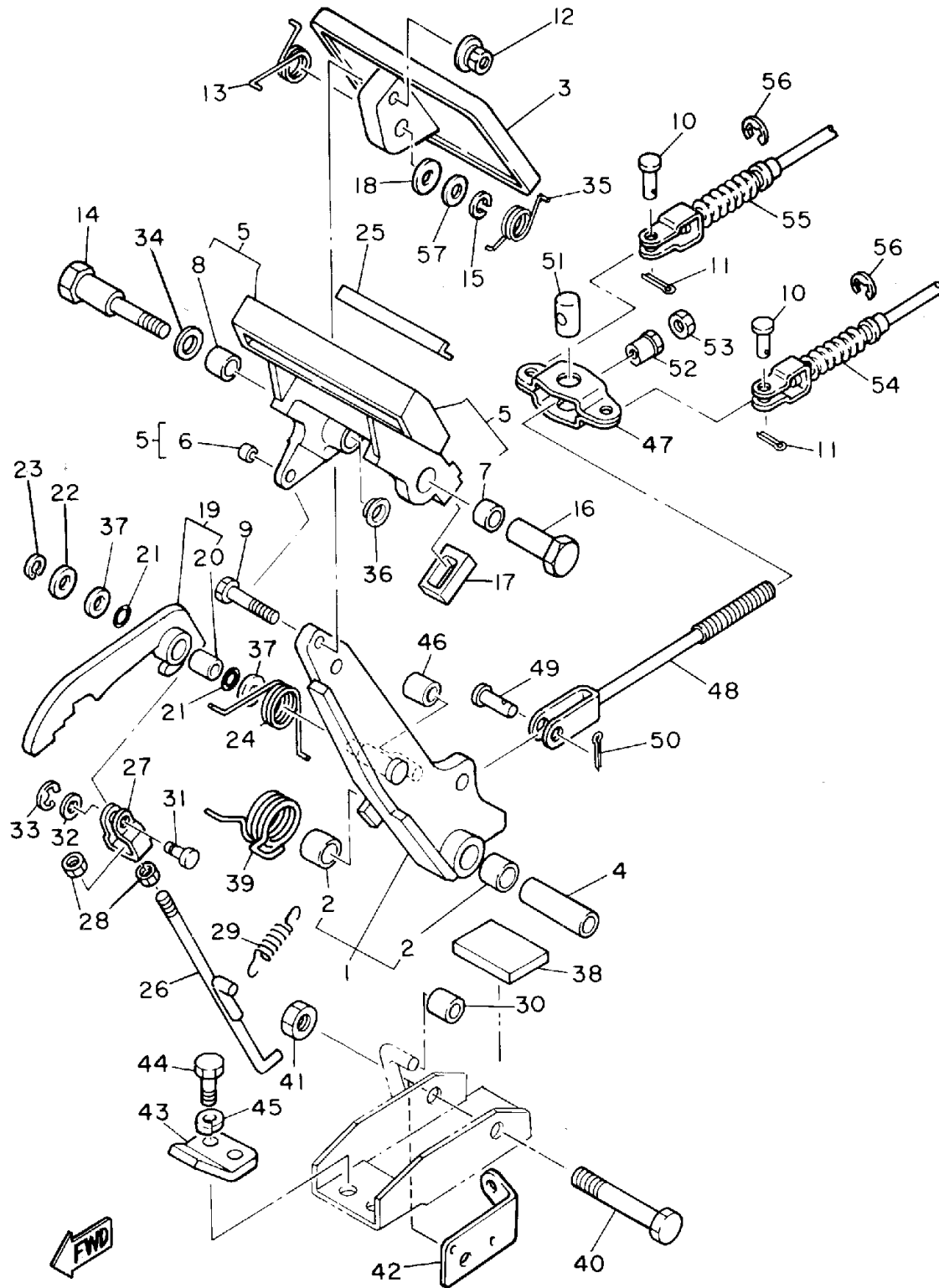
J41110-5040

FUEL TANK



Ref. No.	Part Number	Description	Qty	Remarks
1	J55-F4111-11-00	TANK, FUEL	1	YPAD
2	J24-24620-01-00	BODY CAP ASSEMBLY	1	
3	J10-24612-00-00	GASKET, CAP	1	
4	J10-21773-00-00	GROMMET	1	
5	J24-24460-01-00	RELEASE VALVE ASSEMBLY.	1	
6	8R4-24560-00-00	FILTER ASSEMBLY.	1	
7	8F3-24564-00-00	GASKET	1	
8	J38-85710-02-00	FUEL LEVEL GAUGE ASSEMBLY.	1	
9	97502-08425-00	BOLT	3	
10	90201-08748-00	WASHER, PLATE	3	
11	95701-08500-00	NUT, FLANGE	1	
12	JG5-24410-00-00	FUEL PUMP ASSEMBLY	1	
13	J38-24452-10-00	. COVER	1	
14	95811-06014-00	BOLT, FLANGE	2	
15	JG5-24311-00-00	PIPE, FUEL 1	1	
16	90445-09252-00	HOSE	1	
17	90445-09085-00	HOSE	1	
18	90467-11009-00	CLIP	2	
19	90467-08017-00	CLIP	4	
20	90501-08707-00	SPRING	1	

BRAKE

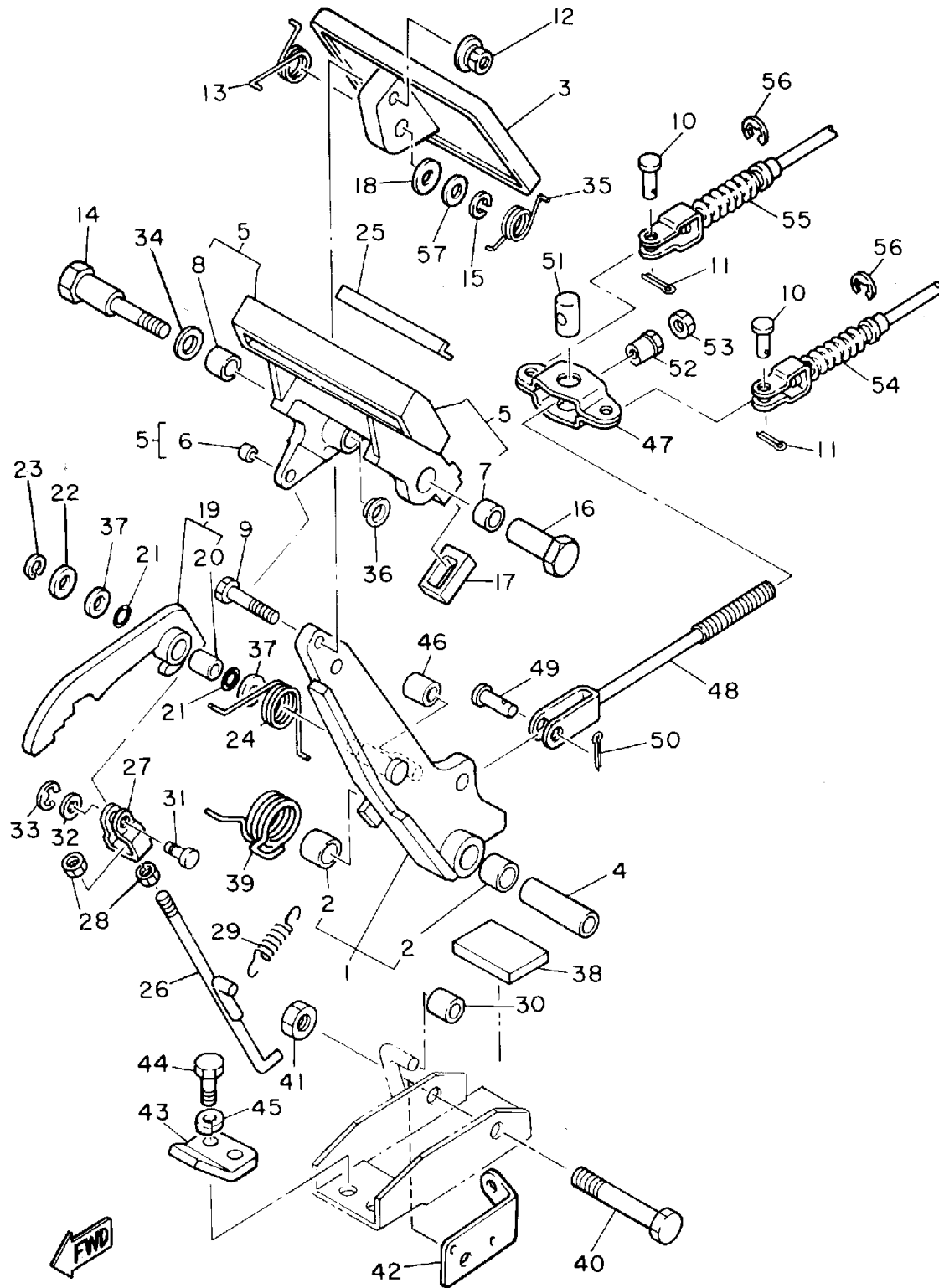


JG5100-3150

Ref. No.	Part Number	Description	Qty	Remarks
1	J17-27250-02-00	BRAKE ARM COMP.	1	
2	90384-14080-00	. BUSH, BIMETAL	2	
3	J10-27211-00-00	PEDAL, BRAKE	1	
4	90387-107F8-00	COLLAR	1	
5	J17-25670-01-00	PARKING PEDAL COMP.	1	
6	90384-05163-00	. BUSH, BIMETAL	1	
7	90384-12164-00	. BUSH, BIMETAL	1	
8	90380-12051-00	. BUSH, SOLID	1	
9	90101-06555-00	BOLT, HEX.	1	
10	91701-08018-00	PIN	4	
11	91490-25020-00	PIN, COTTER	4	
12	90179-07564-00	NUT	1	
13	90508-23542-00	SPRING, TORSION	1	
14	90109-08669-00	BOLT	1	
15	92902-08100-00	WASHER, SPRING	1	
16	90179-08378-00	NUT	1	
17	J17-25679-01-00	DAMPER	2	
18	92990-08200-00	WASHER, PLAIN	1	
19	J17-W2561-00-00	SECTOR, PARKING BRAKE ..	1	
20	90384-10162-00	. BUSH, BIMETAL	1	
21	J17-27221-00-00	SEAL, SHAFT	2	
22	92990-10600-00	WASHER, PLATE	1	
23	99080-07600-00	CIRCLIP (E)	1	
24	90508-14548-00	SPRING, TORSION	1	
25	J17-25672-00-00	PAD, PARKING PEDAL	1	
26	J17-27231-02-00	ROD, BRAKE	1	
27	J17-27232-00-00	END, ROD	1	
28	95380-06700-00	NUT	2	
29	90506-12277-00	SPRING, TENSION	1	

CONTINUED ON NEXT FRAME ►

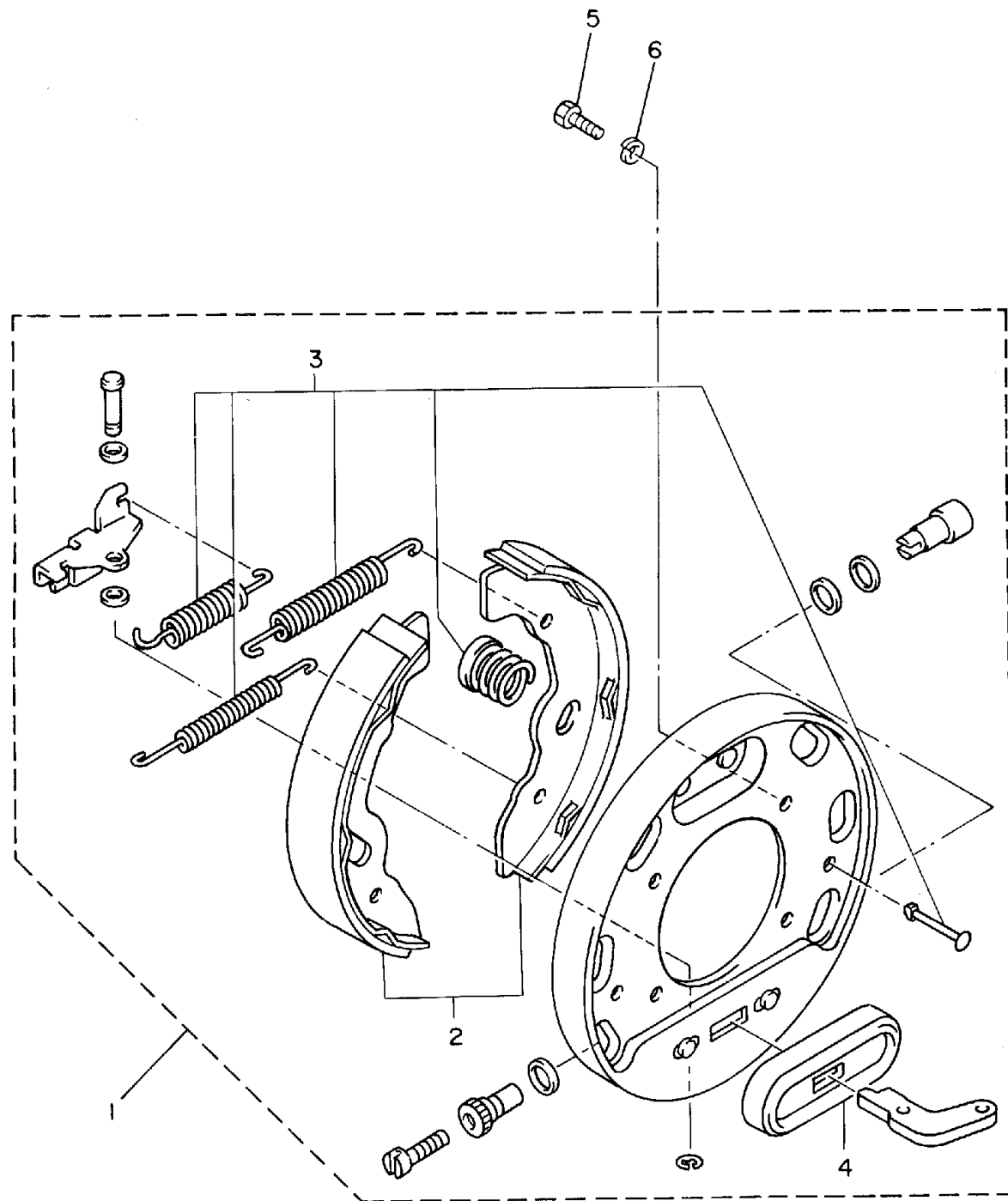
BRAKE



JG5100-3150

Ref. No.	Part Number	Description	Qty	Remarks
30	J17-25673-00-00	DAMPER, BRAKE	1	
31	J17-27228-00-00	PIN, LINK JOINT	1	
32	92901-05600-00	WASHER, PLATE	1	
33	99080-04600-00	CIRCLIP (E)	1	
34	90201-123F2-00	WASHER, PLAIN	1	
35	90508-26557-00	SPRING, TORSION	1	
36	90380-12105-00	BUSH, SOLID	1	
37	90201-104G8-00	WASHER, PLAIN	2	
38	J17-27245-00-00	PAD, BRAKE PEDAL	1	
39	90508-40543-00	SPRING, TORSION	1	
40	90101-10447-00	BOLT, HEX.	1	
41	95601-10100-00	NUT, U (95602-10100-00)	1	
42	J55-2252M-00-00	BRACKET,	1	
43	J17-27246-00-00	NAIL, BRAKE	1	
44	97313-08020-00	BOLT, HEXAGON	2	
45	92902-08100-00	WASHER, SPRING	2	
46	J17-25673-00-00	DAMPER, BRAKE	1	
47	J10-25681-00-00	EQUALIZER, BRAKE	1	
48	J20-25685-00-00	ROD	1	
49	91701-10022-00	PIN	1	
50	91490-30020-00	PIN, COTTER	1	
51	90249-14129-00	PIN	1	
52	90179-08261-00	NUT	1	
53	95303-08700-00	NUT	1	
54	J55-F6341-00-00	CABLE, BRAKE	1	YPAD
55	J55-F6351-00-00	CABLE, BRAKE	1	YPAD
56	99001-09600-00	CIRCLIP	4	
57	J55-27226-00-00	WASHER, LINK	1	

BRAKE 2

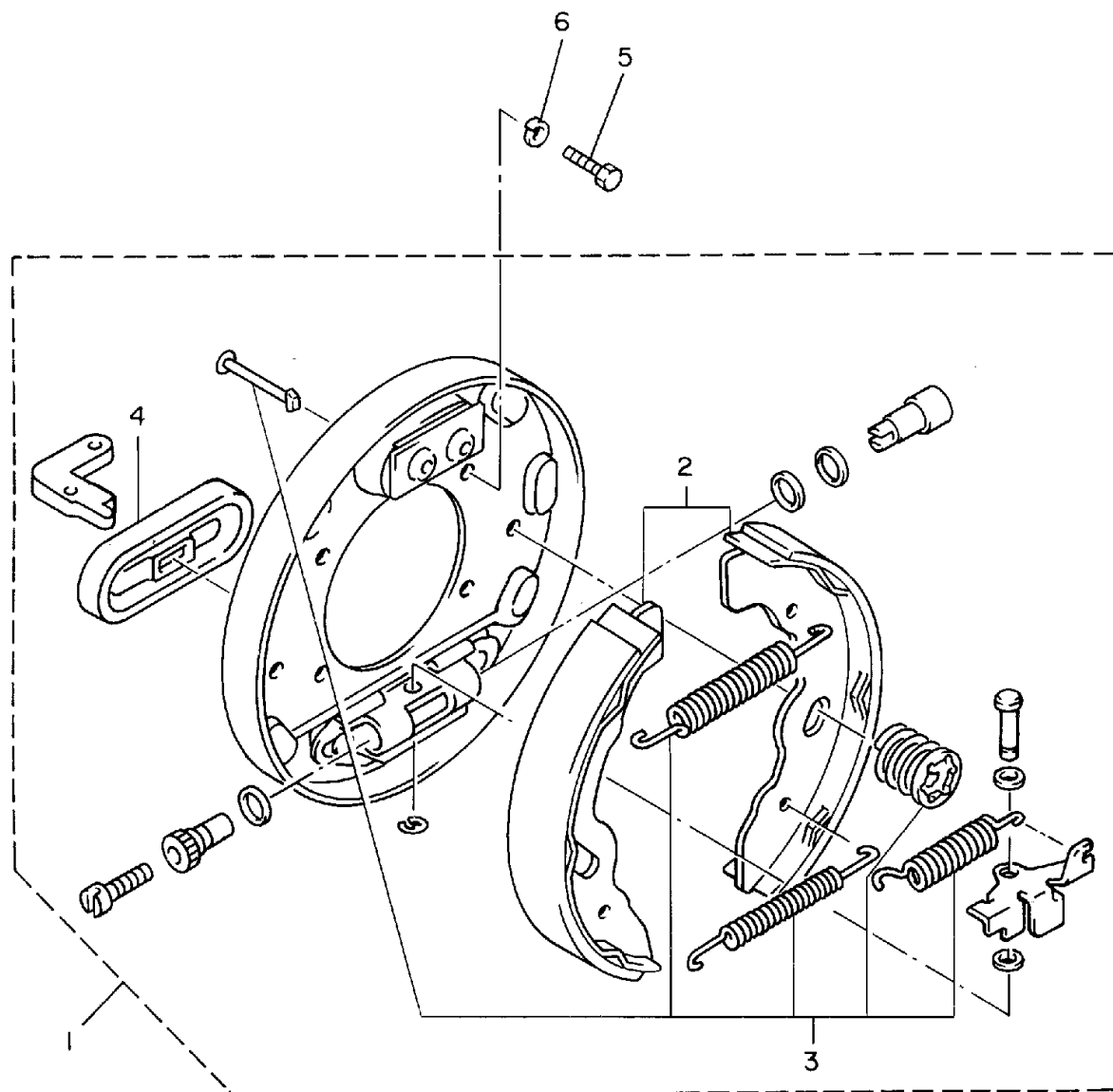


Ref. No.	Part Number	Description	Qty	Remarks
1	JG5-F7280-00-00	BACKING PLATE ASSEMBLY 1 (R.H)	2	YPAD
2	JG5-F5330-00-00	. BRAKE SHOE SET	1	
3	JG5-F819G-00-00	. REPAIR PARTS KIT	1	
4	JG5-F7286-00-00	. COVER, DUST	1	YPAD
5	97011-08016-00	BOLT	4	
6	92902-08100-00	WASHER, SPRING	4	



JG5100-3160

BRAKE 3

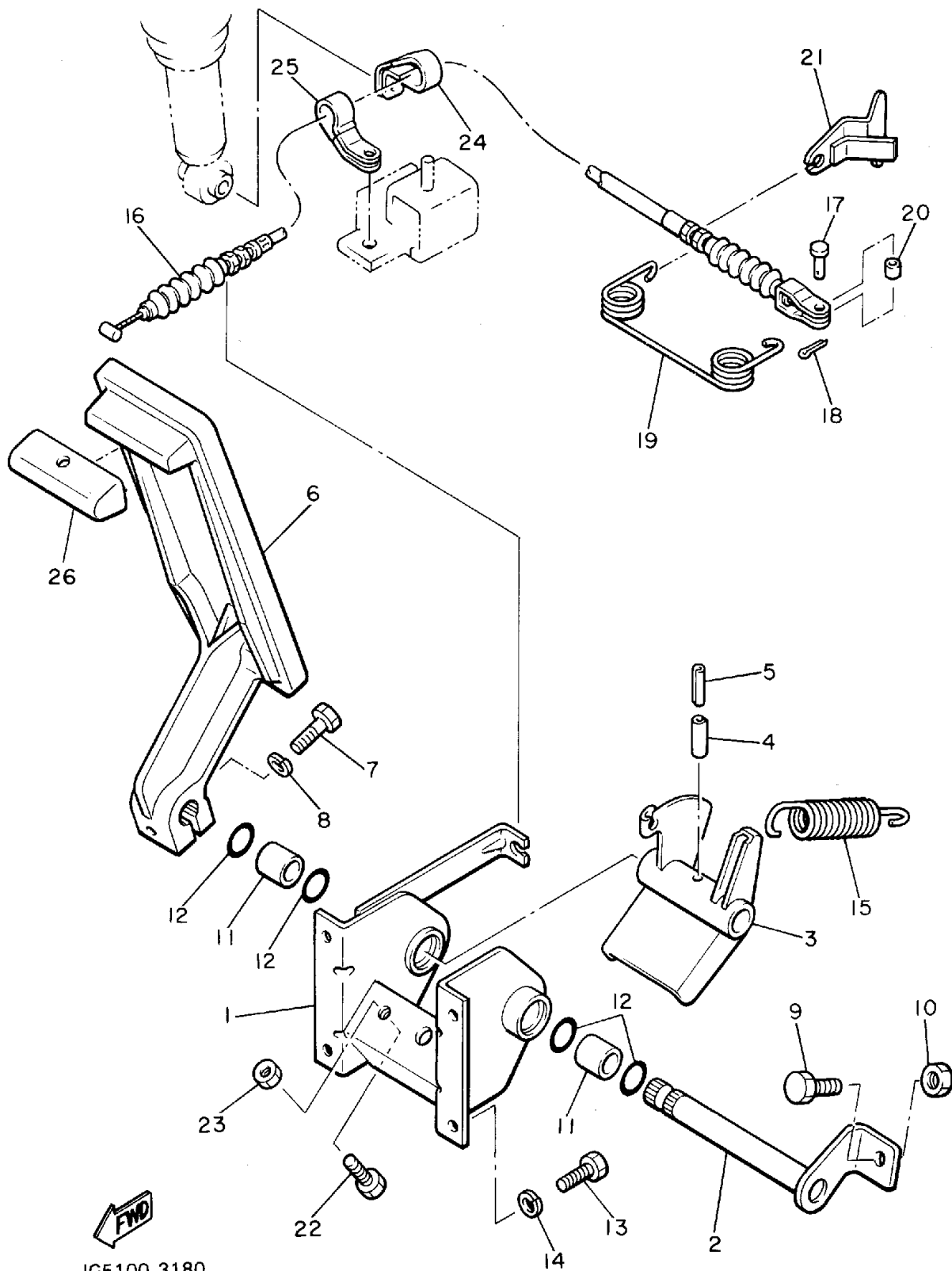


Ref. No.	Part Number	Description	Qty	Remarks
1	JG5-F7290-00-00	BACKING PLATE ASSEMBLY (L.H)	2	YPAD
2	JG5-F5330-00-00	. BRAKE SHOE SET	1	
3	JG5-F819G-00-00	. REPAIR PARTS KIT	1	
4	JG5-F7286-00-00	. COVER, DUST	1	YPAD
5	97011-08016-00	BOLT	4	
6	92902-08100-00	WASHER, SPRING	4	



JG5100-3170

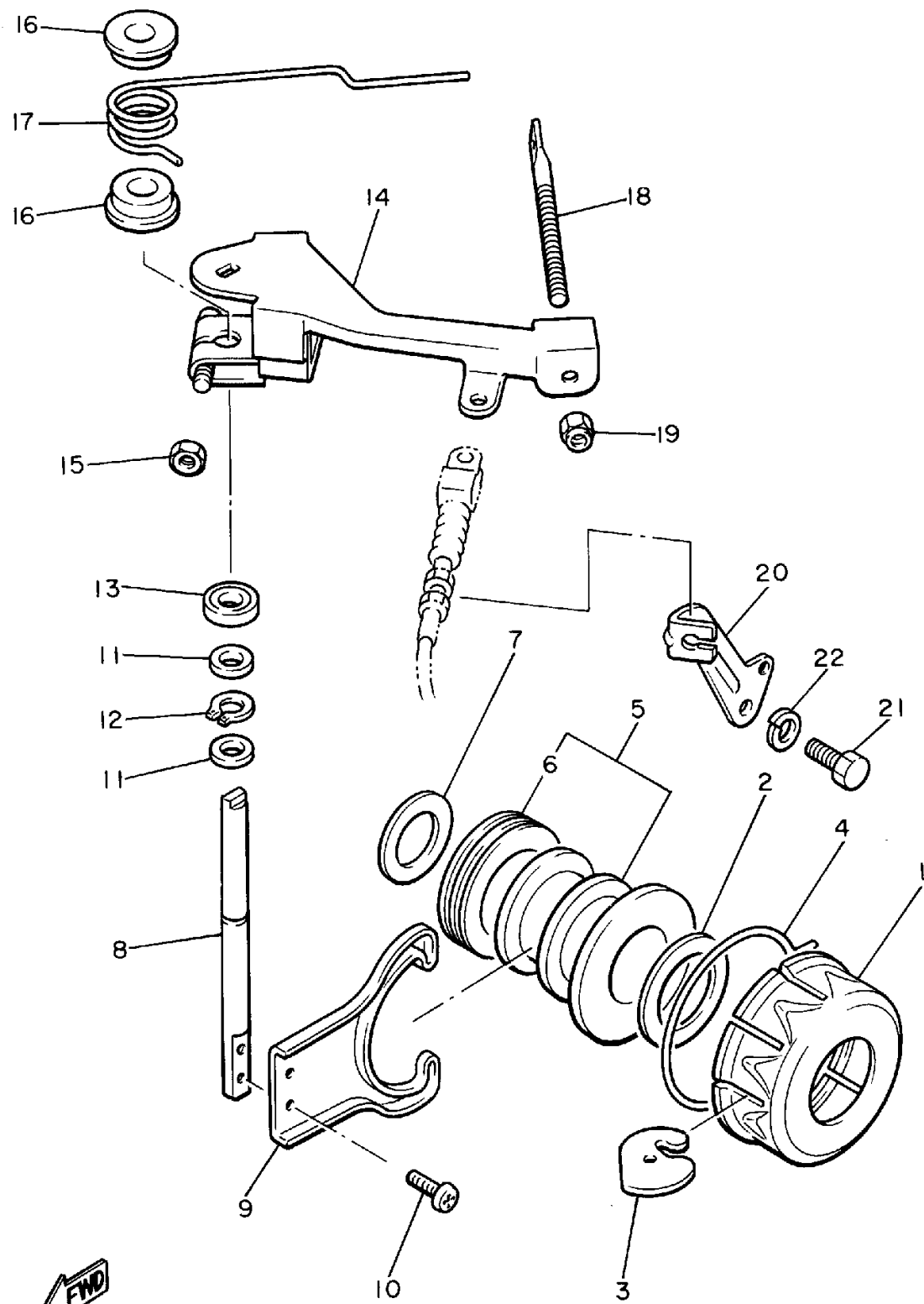
ACCELERATOR



JG5100-3180

Ref. No.	Part Number	Description	Qty	Remarks
1	J38-27874-00-00	BRACKET, ACCELERATOR PEDAL	1	
2	J17-27853-00-00	SHAFT, PEDAL 1	1	
3	J38-27872-00-00	ARM, ACCELERATOR	1	
4	91609-60028-00	PIN, SPRING	1	
5	91609-35028-00	PIN, SPRING	1	
6	JF3-27871-00-00	PEDAL, ACCELERATOR	1	
7	97011-06025-00	BOLT (97001-06025)	1	
8	92995-06100-00	WASHER, SPRING	1	
9	90106-08040-00	BOLT, RD. HEX	1	
10	95303-08700-00	NUT	1	
11	90384-14080-00	BUSH, BIMETAL	2	
12	93210-14104-00	O-RING	4	
13	97011-06016-00	BOLT	4	
14	92995-06100-00	WASHER, SPRING	4	
15	90506-26282-00	SPRING, TENSION	1	
16	J55-F6311-00-00	CABLE, THROTTLE 1	1	YPAD
17	91702-05012-00	PIN	1	
18	90468-10050-00	CLIP	1	
19	90508-16460-00	SPRING, TORSION	1	
20	90560-05001-00	SPACER	1	
21	J38-27981-00-00	BRACKET, THROTTLE	1	
22	97011-06025-00	BOLT (97001-06025)	1	
23	95380-06700-00	NUT	1	
24	90461-08048-00	CLAMP	1	
25	90461-08106-00	CLAMP	1	
26	JF2-27854-00-00	COVER, PEDAL	1	

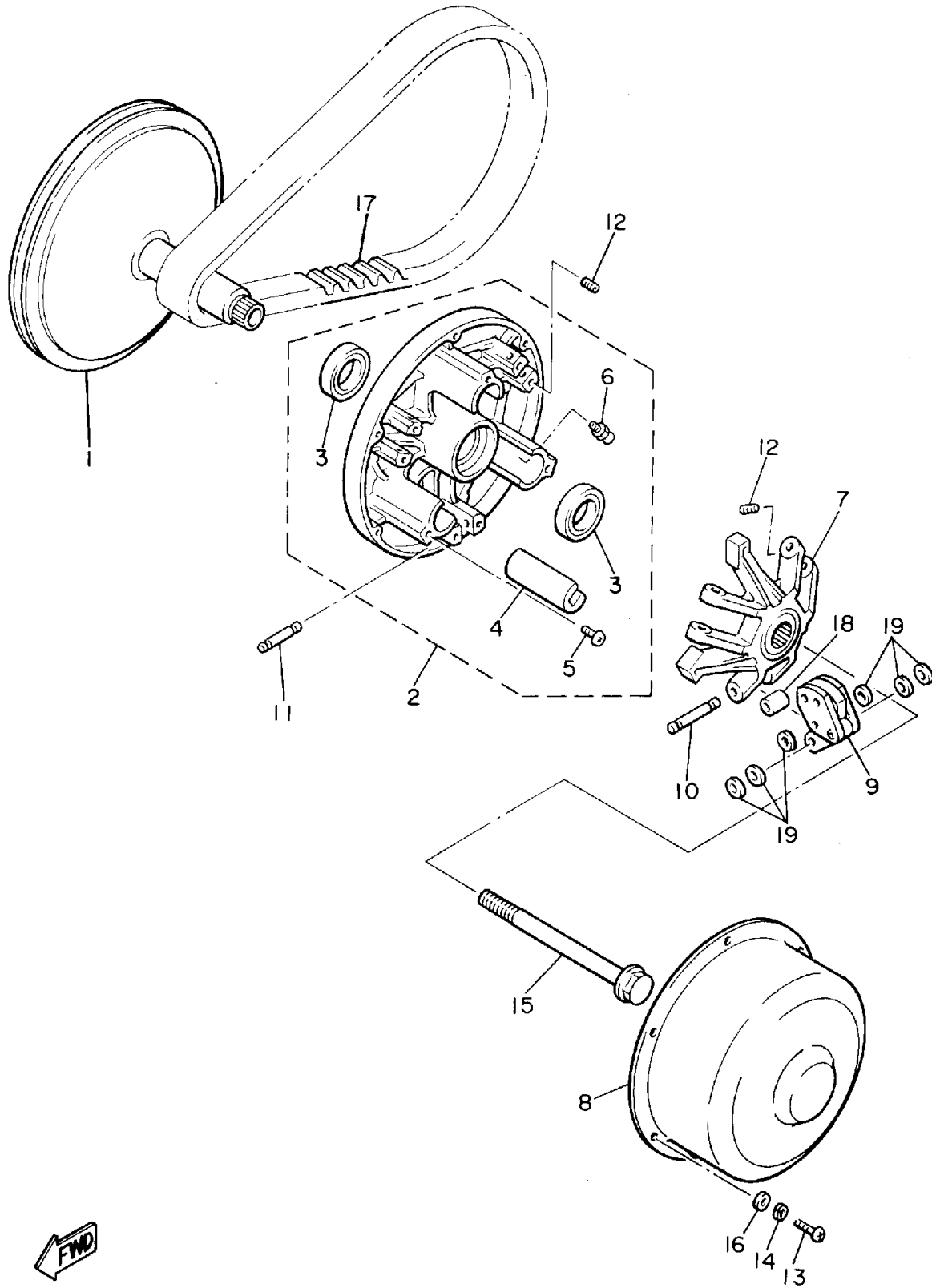
GOVERNOR



Ref. No.	Part Number	Description	Qty	Remarks
1	J10-27912-00-00	RETAINER	1	
2	90387-21690-00	COLLAR	1	
3	J10-27913-00-00	WEIGHT	12	
4	J10-27911-00-00	HOLDER	1	
5	J10-27927-00-00	LIFTER	1	
6	93342-22502-00	. BEARING, THRUST	1	
7	90201-20275-00	WASHER, PLATE	1	
8	J38-27921-00-00	SHAFT, GOVERNOR	1	
9	J10-27922-00-00	FORK, GOVERNOR	1	
10	91316-04008-00	BOLT	2	
11	90202-08110-00	WASHER, PLATE	2	
12	99009-06600-00	CIRCLIP	1	
13	93109-08050-00	OIL SEAL	1	
14	J38-27951-00-00	LEVER, SPEED	1	
15	95380-06600-00	NUT	1	
16	90386-08141-00	BUSH	2	
17	90508-40678-00	SPRING, TORSION	1	
18	J38-27959-00-00	SCREW, ADJUSTING	1	
19	95701-06300-00	NUT, NYLON	1	
20	J38-27982-00-00	BRACKET, WIRE	1	
21	97011-08016-00	BOLT	1	
22	92902-08100-00	WASHER, SPRING	1	

J38110-5180

PRIMARY SHEAVE

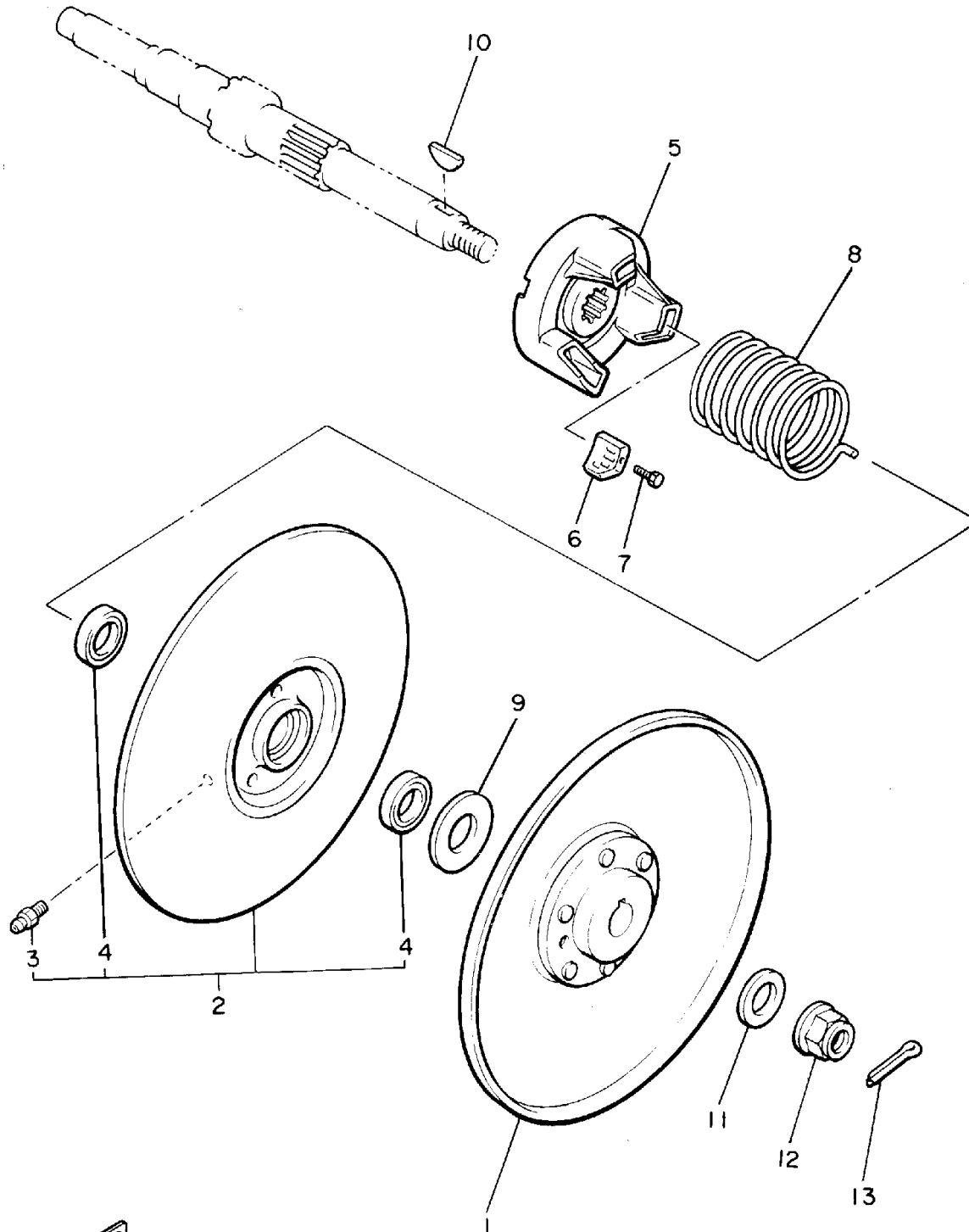


Ref. No.	Part Number	Description	Qty	Remarks
1	J38-46210-00-00	PRIMARY FIXED	1	
2	J38-46220-00-00	PRIMARY SLIDING SHEAVE COMP.	1	
3	93102-28348-00	. OIL SEAL	2	
4	J38-46253-00-00	. SLIDER	3	
5	98901-05008-00	. SCREW, BIND	3	
6	93700-06004-00	. NIPPLE, GREASE	1	
7	J38-46251-00-00	SPIDER	1	
8	J38-46231-00-00	CAP	1	
9	J38-46205-01-00	WEIGHT LINK ASSEMBLY	3	
10	J38-46236-00-00	PIN, WEIGHT	3	
11	J38-46237-00-00	PIN, WEIGHT 2	3	
12	90113-04050-00	BOLT, SET	12	
13	98580-05010-00	SCREW, PAN HEAD	6	
14	92990-05100-00	WASHER, SPRING	6	
15	J38-46249-00-00	BOLT	1	
16	90202-07164-00	WASHER, PLATE	6	
17	J55-G6241-00-00	BELT	1	YPAD
18	90387-076U6-00	COLLAR	3	
19	90202-07186-00	WASHER, PLATE	6	



J55100-9190

SECONDARY SHEAVE

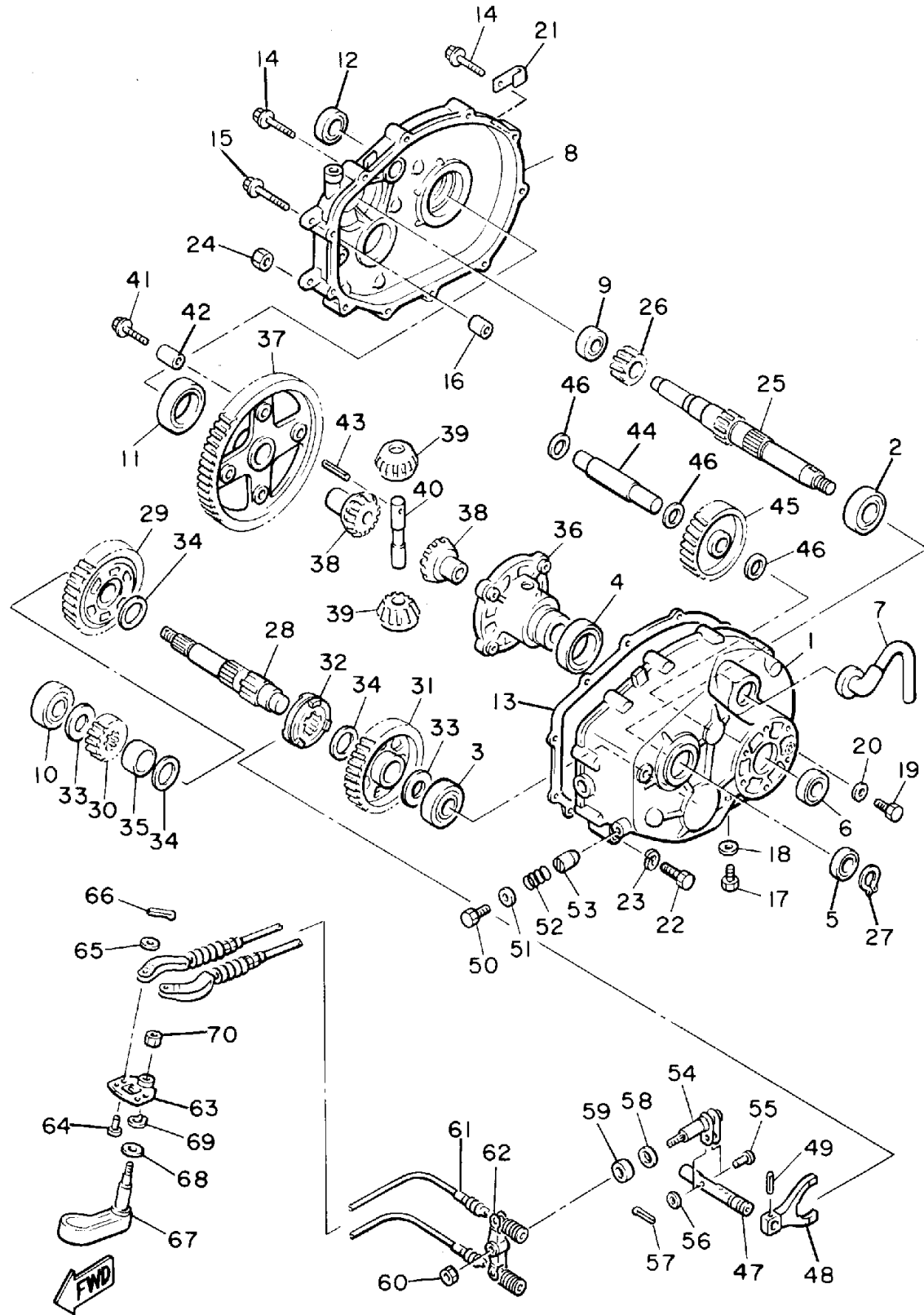


Ref. No.	Part Number	Description	Qty	Remarks
1	J55-G6260-00-00	SECONDARY FIXED SHEAVE COMP.	1	YPAD
2	J55-G6270-02-00	SECONDARY SLIDING SHEAVE COMP.	1	YPAD
3	93700-06004-00	. NIPPLE, GREASE	1	
4	93102-20309-00	. SEAL, OIL	2	
5	JH2-46284-00-00	SEAT, SECONDARY SPRING .	1	
6	JF7-17688-00-00	SHOE, RAMP	3	
7	90110-04207-00	BOLT (91316-04025-00)	3	
8	90508-45679-00	SPRING, TORSION	1	
9	90202-20130-00	WASHER, PLAIN	1	
10	90280-05022-00	KEY, WOODRUFF	1	
11	90201-12588-00	WASHER, PLATE	1	
12	95601-12200-00	NUT, SELF-LOCKING	1	
13	91401-25030-00	PIN, COTTER	1	



IG5100-3210

TRANSMISSION 1

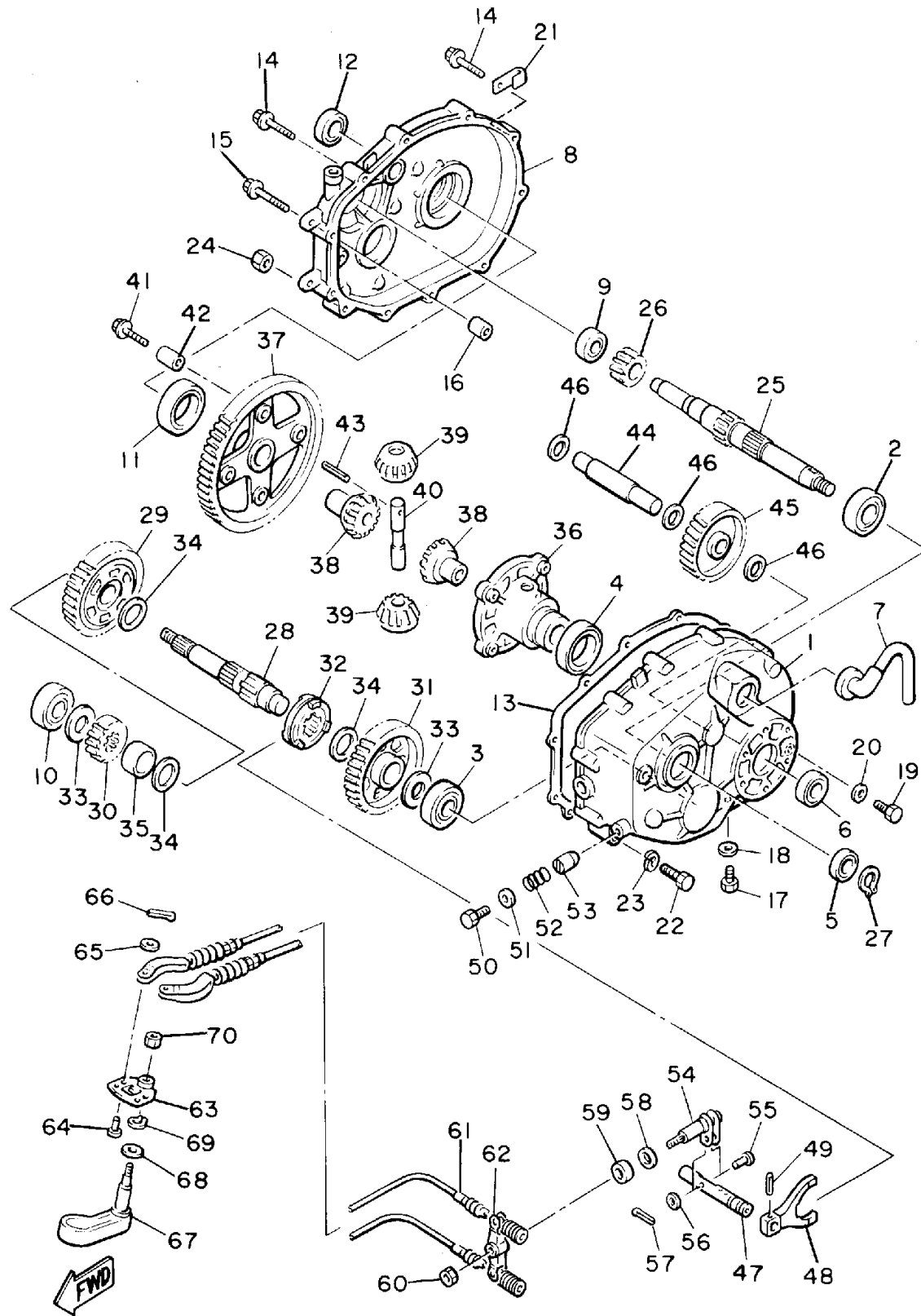


J55100-9210

Ref. No.	Part Number	Description	Qty	Remarks
1	J38-46311-00-00	CASE, TRANSMISSION 1	1	
2	93306-20541-00	BEARING (B6205)	1	
3	93306-20421-00	BEARING	1	
4	93306-00803-00	BEARING (B6008)	1	
5	93102-25017-00	OIL SEAL	1	
6	93102-22189-00	OIL SEAL	1	
7	835-47559-00-00	CAP 2	1	
8	J38-46312-01-00	CASE, TRANSMISSION 2	1	
9	93306-20324-00	BEARING	1	
10	93306-20421-00	BEARING	1	
11	93306-00803-00	BEARING (B6008)	1	
12	93102-22189-00	OIL SEAL	1	
13	J38-46319-01-00	GASKET	1	
14	95811-08040-00	BOLT, FLANGE	8	
15	95811-08050-00	BOLT, FLANGE (95812-08050)	2	
16	99510-12016-00	PIN, DOWEL	2	
17	90340-14036-00	PLUG, STRAIGHT SCRW	1	
18	90430-14043-00	GASKET	1	
19	90101-08344-00	BOLT	1	
20	90201-08087-00	WASHER, PLATE	1	
21	90465-06100-00	CLAMP	1	
22	97022-08075-00	BOLT	1	
23	92902-08100-00	WASHER, SPRING	1	
24	95333-08600-00	NUT	1	
25	J38-46321-02-00	SHAFT, INPUT	1	
26	J38-46331-01-00	GEAR, INPUT 1	1	
27	93410-25017-00	CIRCLIP	1	
28	J38-46351-00-00	SHAFT, COUNTER	1	
29	J38-46361-01-00	GEAR, COUNTER 1	1	

CONTINUED ON NEXT FRAME ➤

TRANSMISSION 1

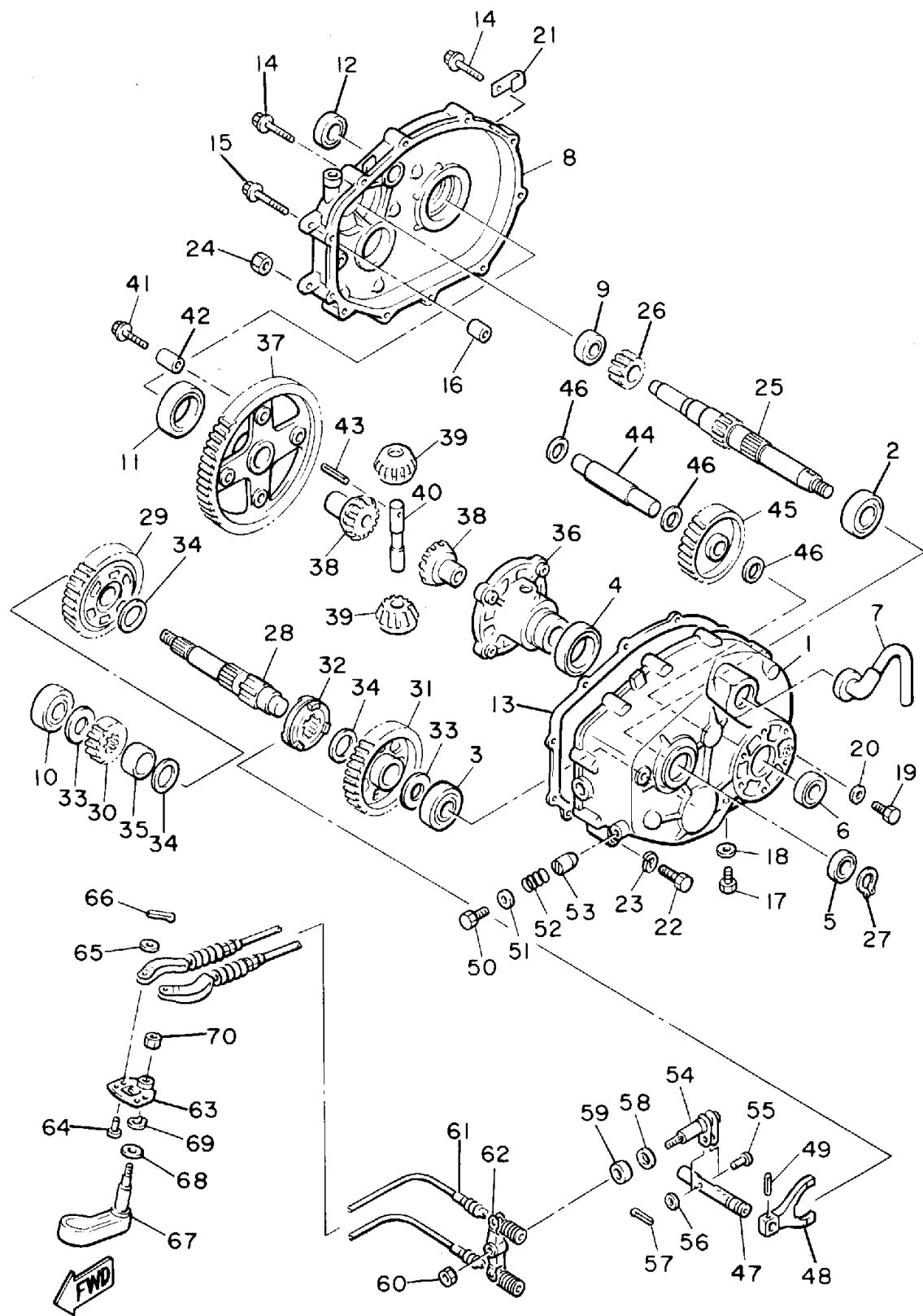


J55100-9210

Ref. No.	Part Number	Description	Qty	Remarks
30	J38-46362-00-00	GEAR, COUNTER 2	1	
31	J38-46363-00-00	GEAR, REVERSE	1	
32	J38-4636A-00-00	DOG, CLUTCH	1	
33	90201-204K8-00	WASHER, PLATE	2	
34	90201-257J2-00	WASHER, PLATE	3	
35	90387-252M8-00	COLLAR	1	
36	J38-46411-01-00	CASE, DIFFERENTIAL	1	
37	J38-46421-01-00	GEAR, RING	1	
38	J38-46414-00-00	GEAR, DIFFERENTIAL SIDE	2	
39	J38-46415-00-00	PINION, DIFFERENTIAL	2	
40	J38-46417-02-00	PIN, DIFFERENTIAL	1	
41	90105-08390-00	BOLT, WASHER BASED	4	
42	91812-16001-00	PIN, DOWEL	2	
43	91609-40040-00	PIN, SPRING	1	
44	J38-46348-00-00	SHAFT 2	1	
45	J38-46356-00-00	GEAR, IDLER	1	
46	90201-17713-00	WASHER, PLATE	3	
47	J38-4633A-00-00	BAR, SHIFT FORK GUIDE	1	
48	J38-46338-00-00	FORK, SHIFT	1	
49	91609-40020-00	PIN, SPRING	1	
50	90101-08344-00	BOLT	1	
51	90201-08087-00	WASHER, PLATE	1	
52	90501-10060-00	SPRING, COMPRESSION	1	
53	90249-07215-00	PIN	1	
54	J38-46384-00-00	LEVER, SHIFT 3	1	
55	91701-06022-00	PIN, CLEVIS	1	
56	92990-06200-00	WASHER	1	
57	91490-20020-00	PIN, COTTER	1	
58	90201-12166-00	WASHER, PLATE	1	

CONTINUED ON NEXT FRAME ➤

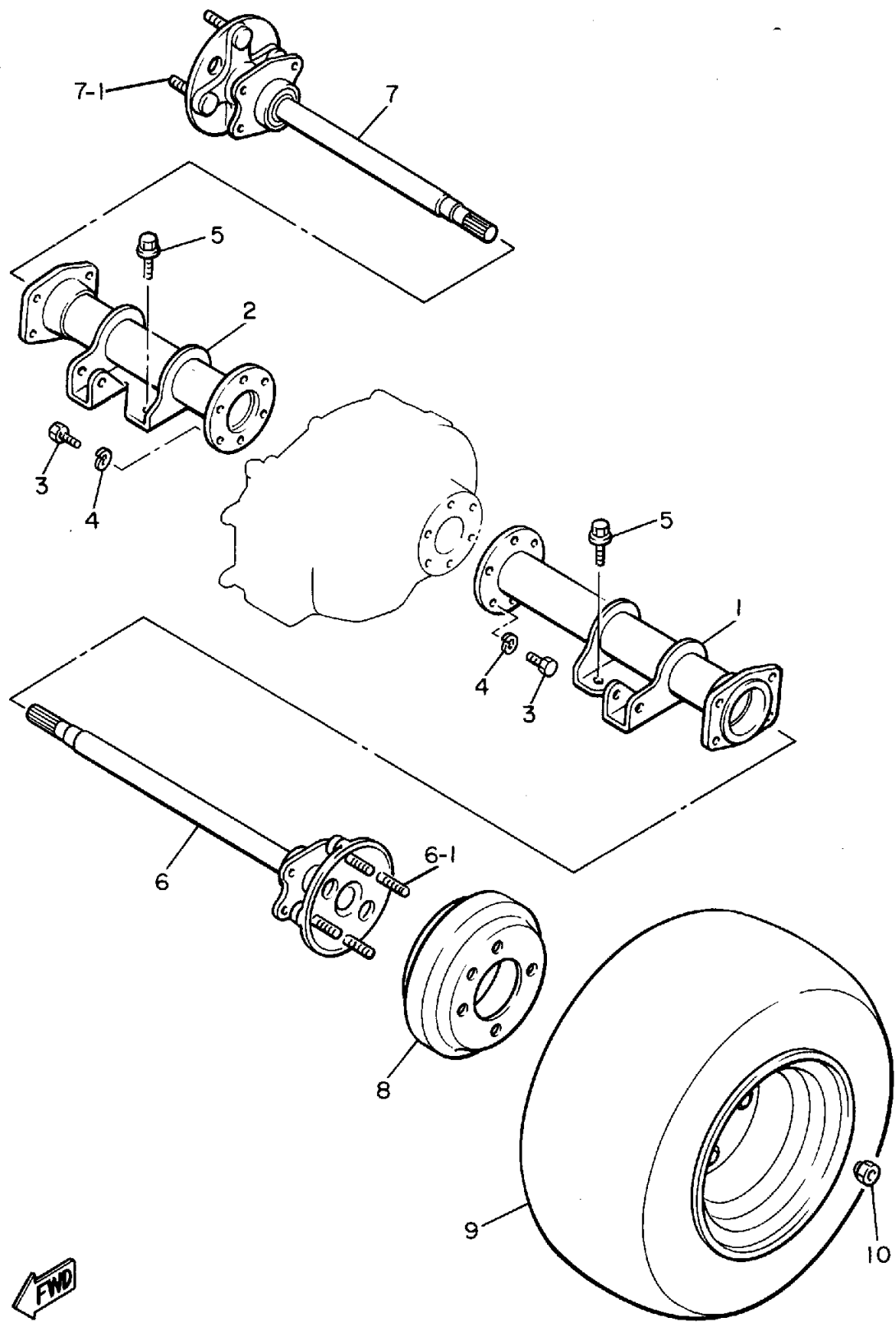
TRANSMISSION 1



J55100-9210

Ref. No.	Part Number	Description	Qty	Remarks
59	93102-12224-00	OIL SEAL	1	
60	95611-08100-00	NUT, U	1	
61	J55-G6371-00-00	SHIFT WIRE	2	YPAD
62	J55-G6383-00-00	LEVER, SHIFT	1	YPAD
63	JG5-46382-00-00	LEVER, SHIFT 1	1	
64	91702-06014-00	PIN	2	
65	92990-06600-00	WASHER, PLATE	2	
66	91490-20020-00	PIN, COTTER	2	
67	J38-46381-00-00	KNOB, SHIFT	1	
68	90201-12474-00	WASHER, PLATE	1	
69	99001-08600-00	CIRCLIP	1	
70	95611-08100-00	NUT, U	1	

REAR AXLE - WHEEL

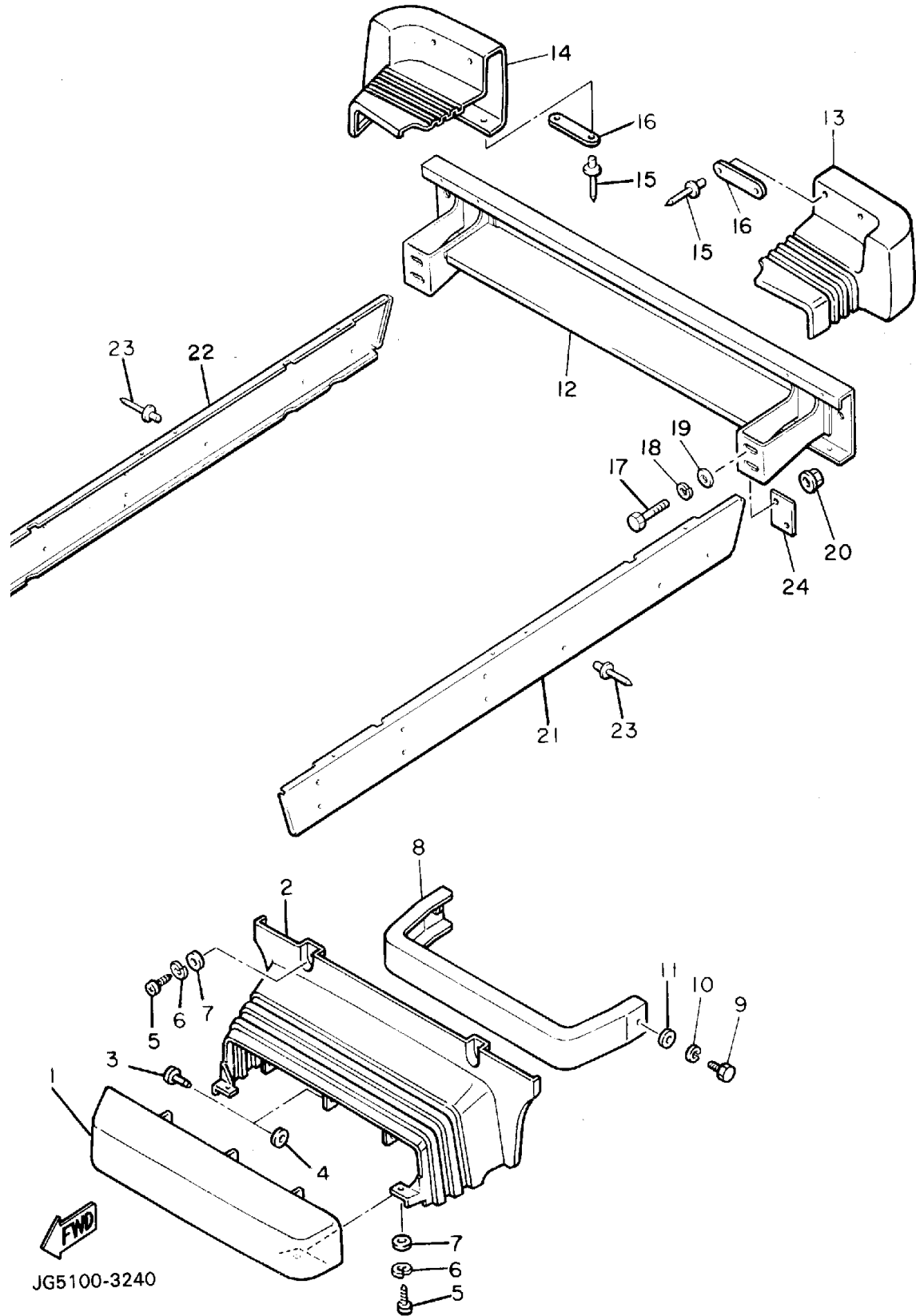


Ref. No.	Part Number	Description	Qty	Remarks
1	J38-46540-01-00	REAR AXLE HOUSING COMP.	1	
2	J38-46550-01-00	REAR AXLE HOUSING	1	
3	97011-08025-00	BOLT	12	
4	92902-08100-00	WASHER, SPRING	12	
5	95811-10020-00	BOLT, FLANGE (95822-10020-00)	8	
6	J38-46510-00-00	REAR AXLE SHAFT COMP. ...	1	
7	J38-46520-00-00	REAR AXLE SHAFT COMP. 2 .	1	
8	J55-G6521-00-00	DRUM	2	YPAD
9	JG5-F5100-10-00	REAR WHEEL ASSEMBLY ...	2	LM
10	90179-12262-00	NUT	8	
6-1	90114-12004-00	. BOLT, RIBBED NECK	4	
7-1	90114-12004-00	. BOLT, RIBBED NECK	4	



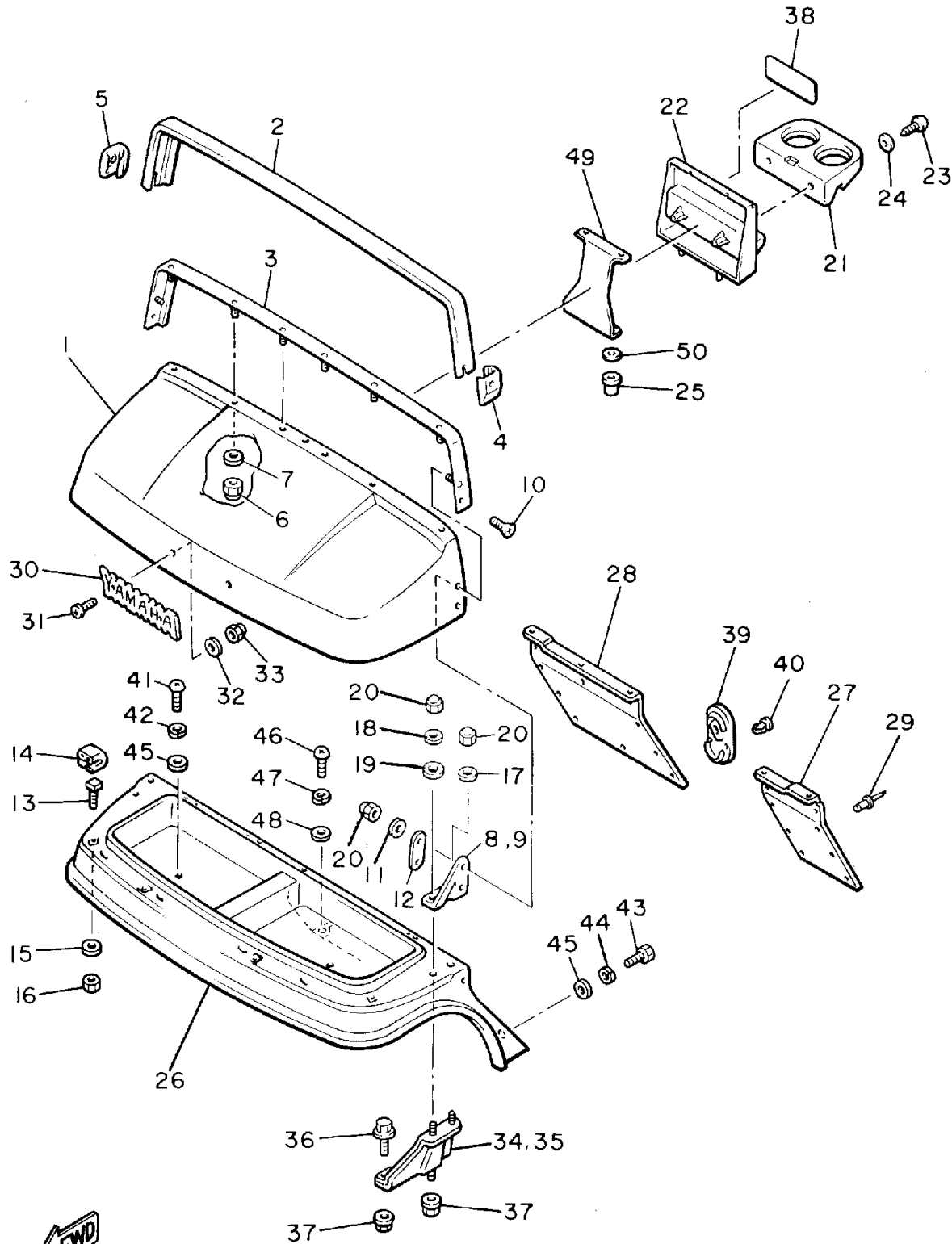
J38100-7220

BUMPER



Ref. No.	Part Number	Description	Qty	Remarks
1	J55-K8162-00-00	PAD, FRONT BUMPER	1	YPAD
2	J55-K8163-00-00	COVER, BUMPER	1	YPAD
3	90269-06028-00	RIVET	3	
4	90201-076J4-00	WASHER, PLATE	3	
5	98506-05020-00	SCREW, PAN HEAD	4	
6	92906-05100-00	WASHER, SPRING	4	
7	90201-05033-00	WASHER, PLATE	4	
8	J55-K7511-00-00	BUMPER, FRONT 1	1	YPAD
9	97011-08016-00	BOLT	2	
10	92902-08100-00	WASHER, SPRING	2	
11	92990-08600-00	WASHER, PLATE	2	
12	JG5-K8107-00-00	BUMPER SUB-ASSEMBLY, REAR	1	YPAD
13	J55-K8167-00-00	BUMPER, RUBBER 1	1	YPAD
14	J55-K8168-00-00	BUMPER, RUBBER 2	1	YPAD
15	90267-40077-00	RIVET, BLIND	8	
16	J17-77525-00-00	WASHER 1	4	
17	97026-08050-00	BOLT	4	
18	92906-08100-00	WASHER, SPRING	4	
19	92906-08600-00	WASHER	4	
20	95706-08500-00	NUT, flange	4	
21	JG5-K8183-00-00	PLATE, SIDE SILL (L.H)	1	YPAD
22	JG5-K8184-00-00	PLATE, SIDE SILL (R.H)	1	YPAD
23	90267-48838-00	RIVET	18	
24	G9A-PARTS-BO-AR JG5-K7527-00-00	ASSEMBLY HARDWARE PLATE, BACK UP	9 2	OPTIONAL PART YPAD

BODY

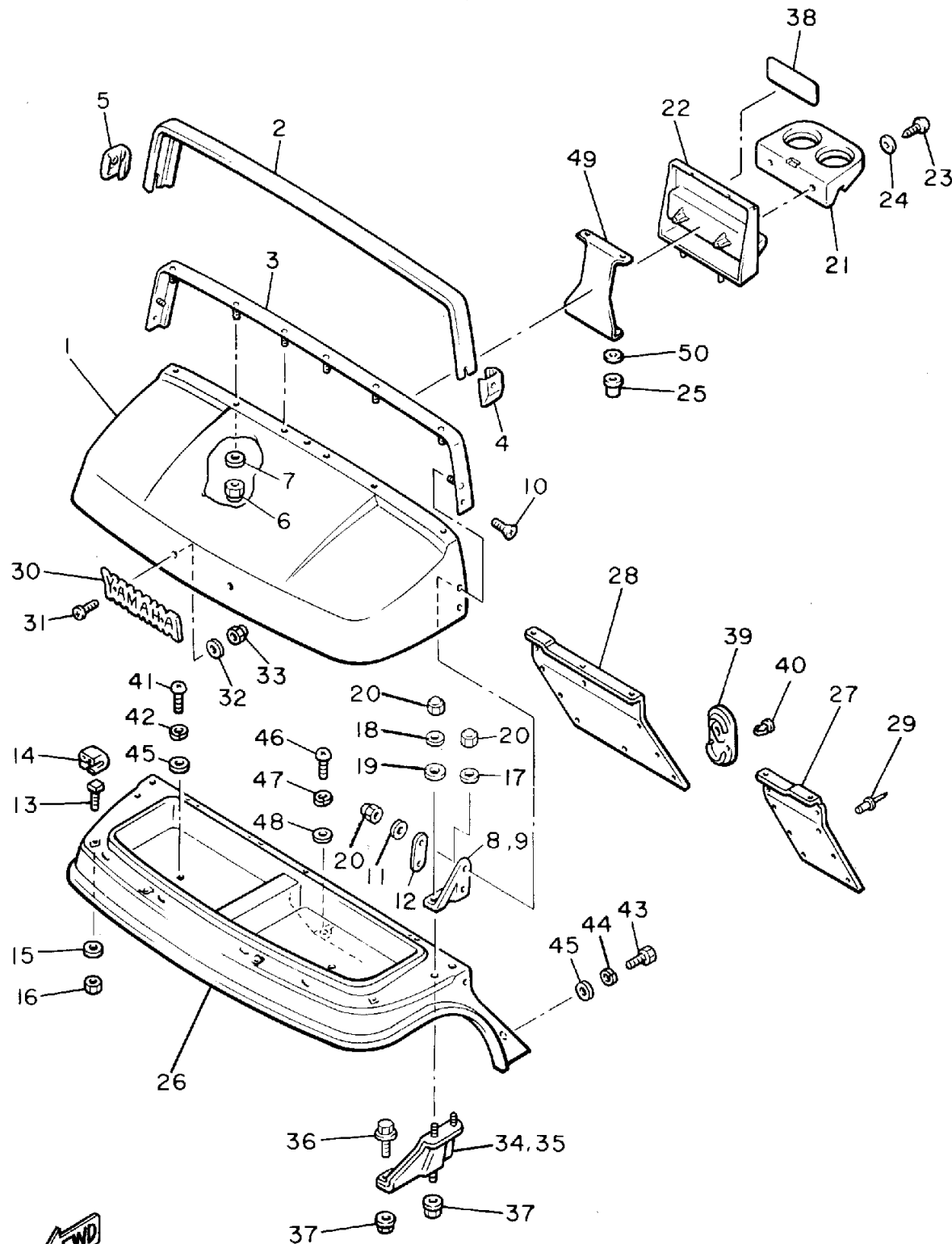


Ref. No.	Part Number	Description	Qty	Remarks
1	J55-K8116-00-00	COWL, FRONT UPPER	1	YPAD
2	JG5-K811V-00-00	PROTECTOR 1	1	YPDI
3	JG5-K8261-01-00	PLATE, BODY PROTECT 1 (JG5-K8261-00-00)	1	YPAD
4	JG5-K818E-00-00	CAP, PROTECTOR END 1	1	YPAD
5	JG5-K818F-00-00	CAP, PROTECTOR END 2	1	YPAD
6	95601-06200-00	NUT, U FLANGE	6	
7	90201-06059-00	WASHER, PLATE	6	
8	JG5-K811E-00-00	STAY, UPPER COWL (LH)	1	YPAD
9	JG5-K811F-00-00	STAY, UPPER COWL (RH)	1	YPAD
10	90151-06803-00	SCREW, COUNTERSUNK	2	YPAD
11	92990-06200-00	WASHER	4	
12	JG5-K8117-00-00	PLATE 1	2	YPAD
13	J38-7811G-00-00	BOLT, COWL FITTING	4	
14	J38-7811H-00-00	RETAINER, COWL FITTING	4	
15	90201-065F3-00	WASHER, PLATE	4	
16	95601-06100-00	NUT, U	4	
17	90201-062G3-00	WASHER, PLATE	2	
18	92990-06200-00	WASHER	2	
19	90202-06172-00	WASHER, PLATE	2	
20	J55-K811B-00-00	NUT, CAP	8	YPAD
21	JF2-K835E-00-00	HOLDER, BEVERAGE	1	YPAD
22	JG5-K835G-00-00	HOUSING, HOLDER	1	YPAD
23	97702-60130-00	SCREW, TAPPING	2	
24	90201-060A3-00	WASHER, PLATE	2	
25	90480-12355-00	GROMMET	2	
26	JG5-K8115-00-00	COWL, FRONT	1	YPAD
27	JG5-K8231-00-00	MAT, MAIN FLOOR 1	1	YPAD
28	JG5-K8232-00-00	MAT, MAIN FLOOR 2	1	YPAD

CONTINUED ON NEXT FRAME ►

JG5100-3250

BODY

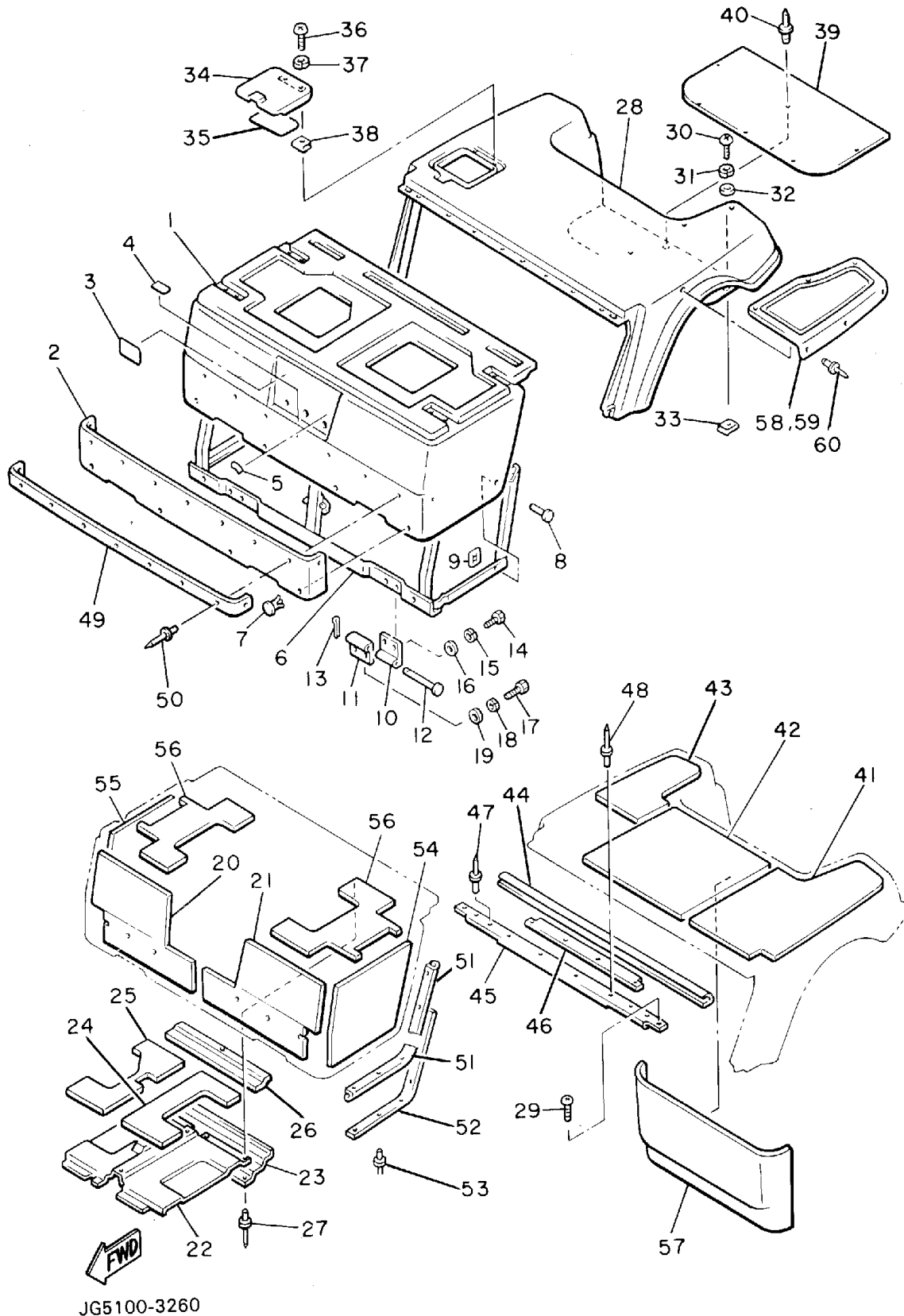


JG5100-3250

Ref. No.	Part Number	Description	Qty	Remarks
29	90267-63047-00	RIVET, BLIND	16	
30	J38-24161-00-00	EMBLEM 1	1	
31	90152-04015-00	SCREW, COUNTERSUNK	2	
32	92906-04200-00	WASHER, PLAIN	2	
33	95606-04100-00	NUT, U	2	
34	J38-7812E-01-00	SUPPORT, UPPER COWL (L.H)	1	
35	J38-7812F-01-00	SUPPORT, UPPER COWL (R.H)	1	
36	95811-08016-00	BOLT, FLANGE	2	
37	95701-08500-00	NUT, FLANGE	4	
38	J50-77768-00-00	LABEL, WARNING 2	1	UR
39	J38-78273-00-00	COVER, HOLE	1	
40	90269-11042-00	RIVET	2	
41	98580-06020-00	SCREW	2	
42	92995-06100-00	WASHER, SPRING	2	
43	97395-06020-00	BOLT, HEXAGON	2	
44	92995-06100-00	WASHER, SPRING	2	
45	90201-067M9-00	WASHER, PLATE	4	
46	98580-06020-00	SCREW	1	
47	92995-06100-00	WASHER, SPRING	1	
48	90201-06049-00	WASHER, PLATE	1	
49	JG5-K834A-00-00	REING., HOLDER	1	YPAD
50	90183-06071-00	NUT, SPRING	2	



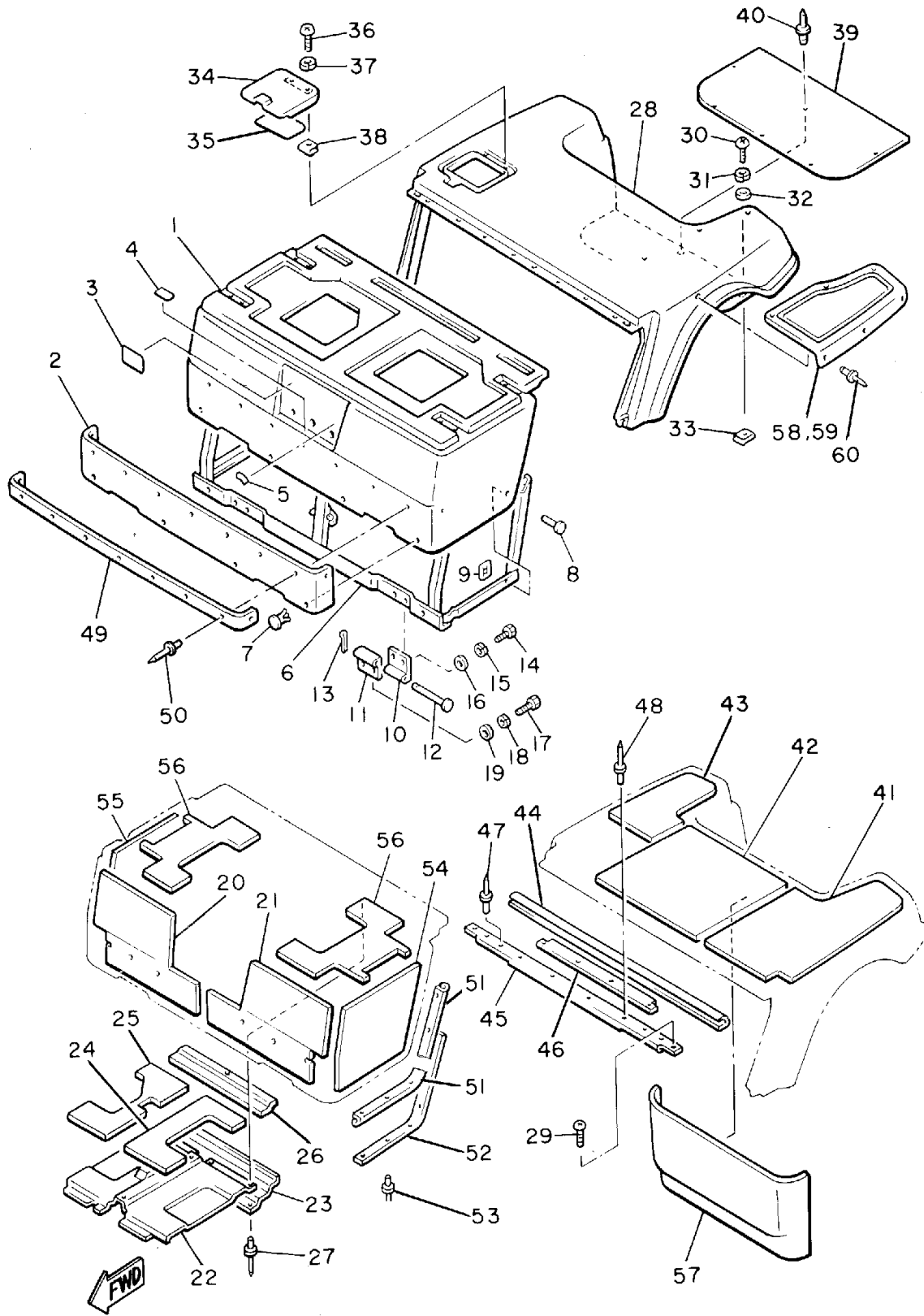
BODY 2



Ref. No.	Part Number	Description	Qty	Remarks
1	J55-K8141-00-00	PANEL, INTERMEDIATE BODY	1	YPAD
2	JG5-K814N-00-00	PLATE, ORNAMENT	1	YPAD
3	J41-77458-10-00	LABEL, WARNING (J41-77458-00-00)	1	UR
4	J38-77741-10-00	INDICATOR 1	1	UR
5	J38-77742-00-00	INDICATOR 2	1	
6	JG5-K8121-01-00	REINFORCEMENT 1	1	YPAD
7	90267-63047-00	RIVET, BLIND	4	
8	90338-06169-00	PLUG	2	
9	90183-06071-00	NUT, SPRING	2	
10	J55-K8143-00-00	HINGE, INTERMEDIATE BODY 1	2	YPAD
11	J55-K8144-00-00	HINGE, INTERMEDIATE BODY 2	2	YPAD
12	91790-06125-00	PIN, CLEVIS	2	
13	91490-20015-00	PIN, COTTER	2	
14	97013-06012-00	BOLT	4	
15	92995-06100-00	WASHER, SPRING	4	
16	92990-06600-00	WASHER, PLATE	4	
17	97011-06020-00	BOLT	4	
18	92995-06100-00	WASHER, SPRING	4	
19	92990-06600-00	WASHER, PLATE	4	
20	J55-K8251-00-00	PAD, SILENCER 1	1	YPAD
21	J55-K8252-00-00	PAD, SILENCER 2	1	YPAD
22	J55-K8261-00-00	PLATE, BODY PROTECT 1	1	YPAD
23	J55-K8262-00-00	PLATE, BODY PROTECT 2	1	YPAD
24	J55-K826A-00-00	PAD, BODY PROTECT 1	1	YPAD
25	J55-K826E-00-00	PAD, BODY PROTECT 2	1	YPAD
26	J55-K826F-00-00	PAD, BODY PROTECT 3	1	YPAD
27	90267-40054-00	RIVET, BLIND	10	

CONTINUED ON NEXT FRAME ►

BODY 2

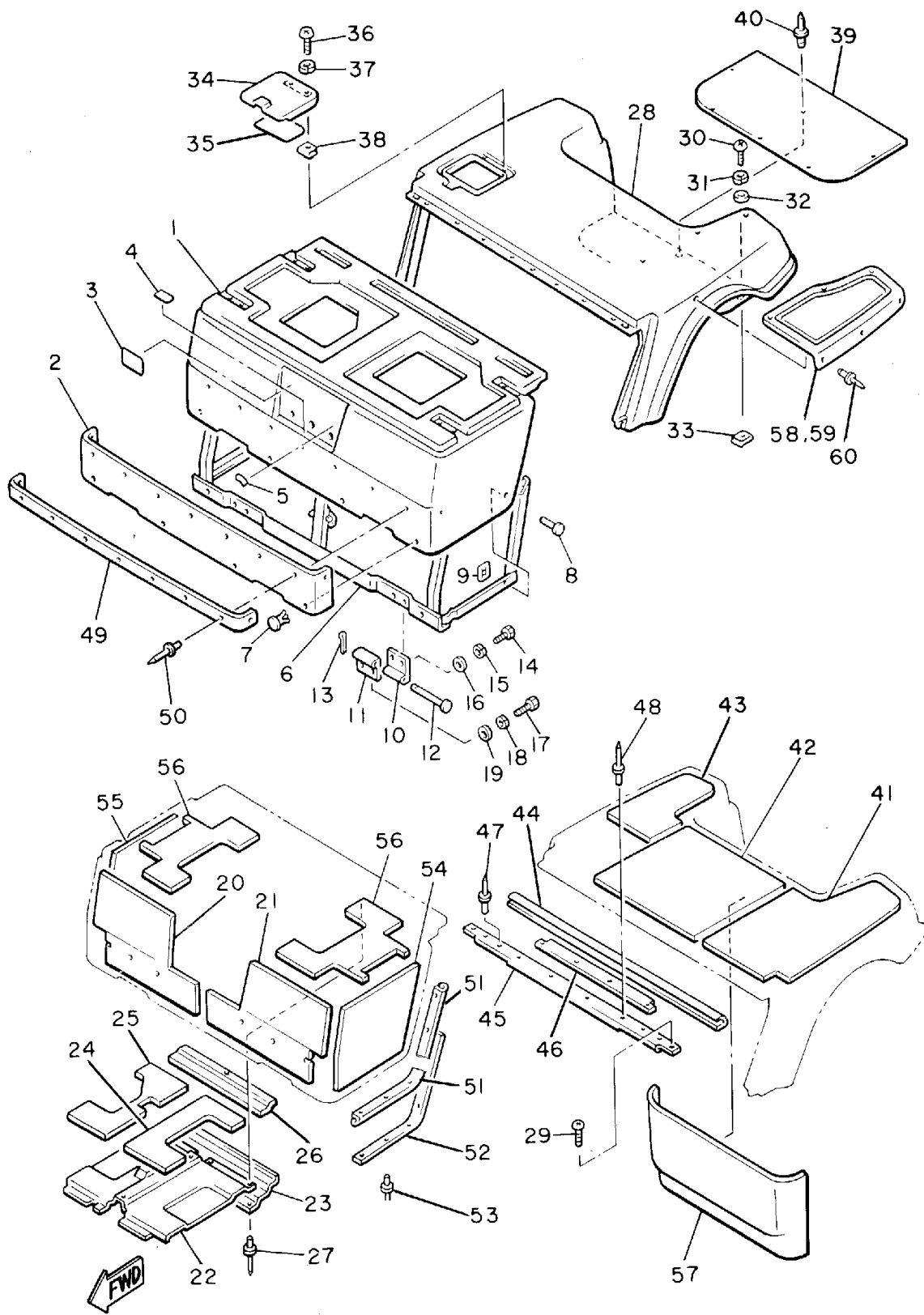


Ref. No.	Part Number	Description	Qty	Remarks
28	J55-K8142-00-00	PANEL, REAR BODY	1	YPAD
29	95811-06020-00	BOLT, FLANGE	3	
30	98580-06020-00	SCREW	2	
31	92995-06100-00	WASHER, SPRING	2	
32	90201-065F3-00	WASHER, PLATE	2	
33	90183-06028-00	NUT, SPRING	2	
34	J55-K8272-00-00	COVER, FUEL INLET	1	YPAD
35	J38-77764-10-00	LABEL, WARNING 4	1	UR
36	98511-04012-00	SCREW, PAN HEAD	2	
37	92901-04100-00	WASHER, SPRING	2	
38	J38-78276-00-00	NUT, INLET FITTING	2	
39	JG5-K8241-00-00	MAT, REAR FLOOR	1	YPAD
40	90267-63047-00	RIVET, BLIND	6	
41	J55-K8255-00-00	PAD, SILENCER 5	1	YPAD
42	J38-78256-00-00	PAD, SILENCER 6	1	YPAD
43	J55-K8257-00-00	PAD, SILENCER 7	1	YPAD
44	J38-7814A-00-00	SEAL, BODY UPPER	1	
45	J55-K815F-00-00	PLATE, SEAL SUPPORT 3 ...	1	
46	J38-7826G-00-00	PAD, BODY PROTECT 4	1	
47	90267-40077-00	RIVET, BLIND	4	
48	90267-40129-00	RIVET, BLIND	3	
49	JG5-K824E-01-00	TRIM, REAR BODY (LH)	1	YPAD
50	90267-41164-00	RIVET, BLIND	9	
51	J38-7814F-10-00	SEAL, BODY SIDE 2	4	
52	J38-7815A-00-00	PLATE, SEAL SUPPORT 1 ...	1	
53	90267-40054-00	RIVET, BLIND	12	
54	J55-K8253-00-00	PAD, SILENCER 3	1	YPAD
55	J55-K8254-00-00	PAD, SILENCER 4	1	YPAD
56	J55-K825K-00-00	PAD, SILENCER 6	2	YPAD

CONTINUED ON NEXT FRAME ►

JG5100-3260

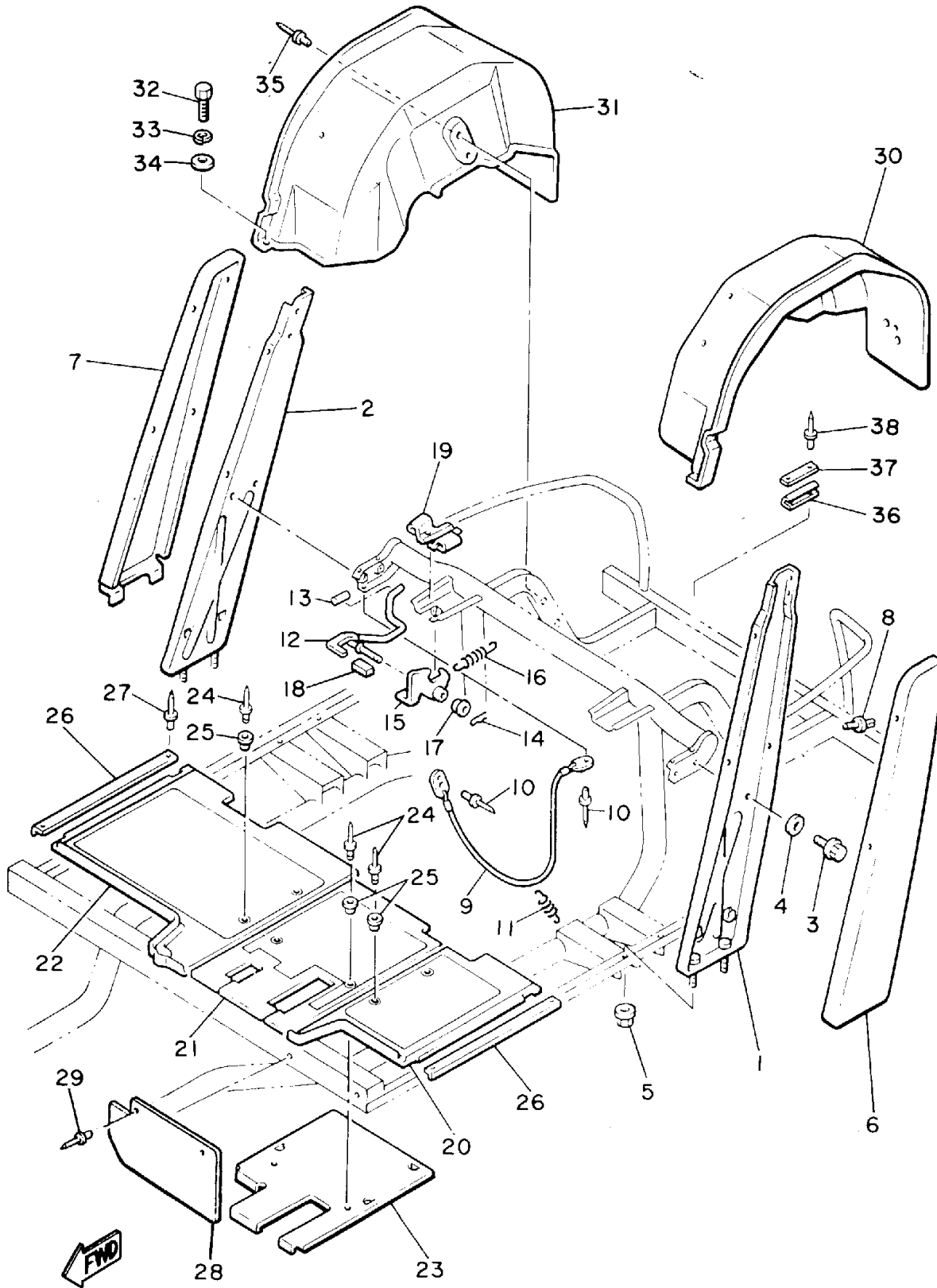
BODY 2



Ref. No.	Part Number	Description	Qty	Remarks
57	J55-K8258-00-00	PAD, SILENCER 8	1	YPAD
58	J55-K8243-00-00	MAT, REAR BODY SIDE (LH)	1	YPAD
59	J55-K8244-00-00	MAT, REAR BODY SIDE (RH)	1	YPAD
60	90267-63047-00	RIVET, BLIND	12	
	G9A-PARTS-BO-AR	ASSEMBLY HARDWARE	9	OPTIONAL PART

JG5100-3260

BODY FITTING

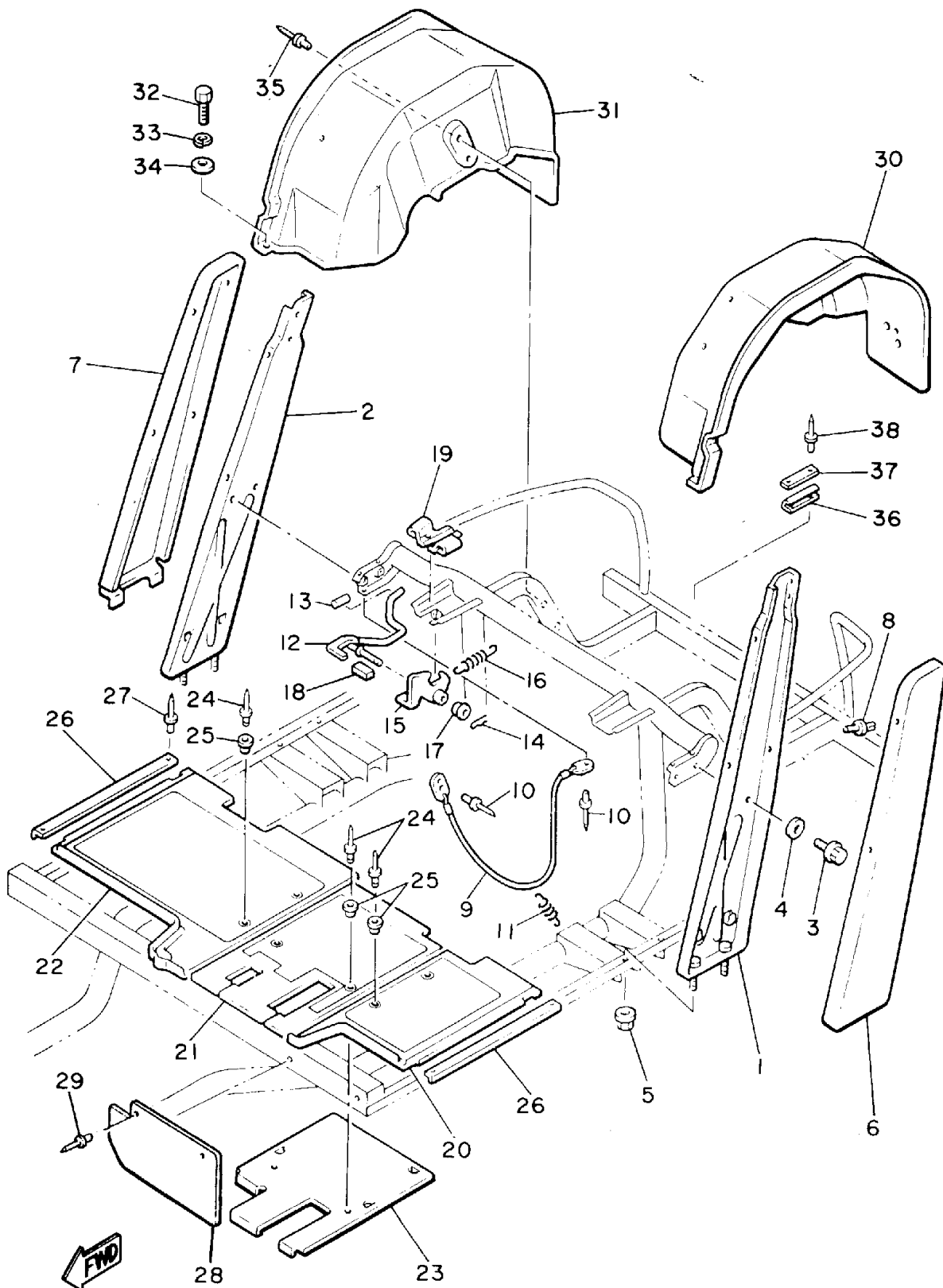


JG5100-3270

Ref. No.	Part Number	Description	Qty	Remarks
1	JG5-K813A-00-00	PILLAR, SIDE (L.H)	1	YPAD
2	JG5-K813E-00-00	PILLAR, SIDE (R.H)	1	YPAD
3	95811-08016-00	BOLT, FLANGE	4	
4	90201-08730-00	WASHER, PLATE	4	
5	95701-06500-00	NUT, FLANGE	4	
6	J55-K813F-00-00	COVER, SIDE PILLAR (L.H)	1	YPAD
7	J55-K813G-00-00	COVER, SIDE PILLAR (R.H)	1	YPAD
8	90267-63134-00	RIVET, BLIND	8	
9	J39-78229-00-00	WIRE, SEAT STOPPER	1	
10	90267-40105-00	RIVET, BLIND	2	
11	90507-08037-00	SPRING, TENSION	1	
12	JG5-K814G-00-00	LEVER, BODY LOCK	1	YPAD
13	90445-11147-00	HOSE	1	
14	90468-18008-00	CLIP	1	
15	J38-7814H-01-00	HOOK, BODY LOCK	1	
16	90506-18374-00	SPRING, TENSION	1	
17	J38-7814L-01-00	BUSH, LEVER END	2	
18	J38-7815H-00-00	DAMPER, LOCK	1	
19	J38-78221-00-00	SHEET, BODY MOUNTING 1	2	
20	J55-K8233-00-00	MAT, MAIN FLOOR 3	1	YPAD
21	J55-K8234-00-00	MAT, MAIN FLOOR 4	1	YPAD
22	J55-K8235-00-00	SHEET, MAIN FLOOR	1	YPAD
23	J55-K8271-00-00	SERVICE LID, PEDAL	1	
24	90267-48086-00	RIVET, BLIND	6	
25	90387-062M9-00	COLLAR	6	
26	J38-78215-00-00	PLATE, SIDE TRIM	2	
27	90267-40837-00	RIVET, BLIND	4	
28	JG5-K8187-00-00	FLAP, FRONT FENDER	2	YPAD
29	90267-48101-00	RIVET, BLIND	4	

CONTINUED ON NEXT FRAME ►

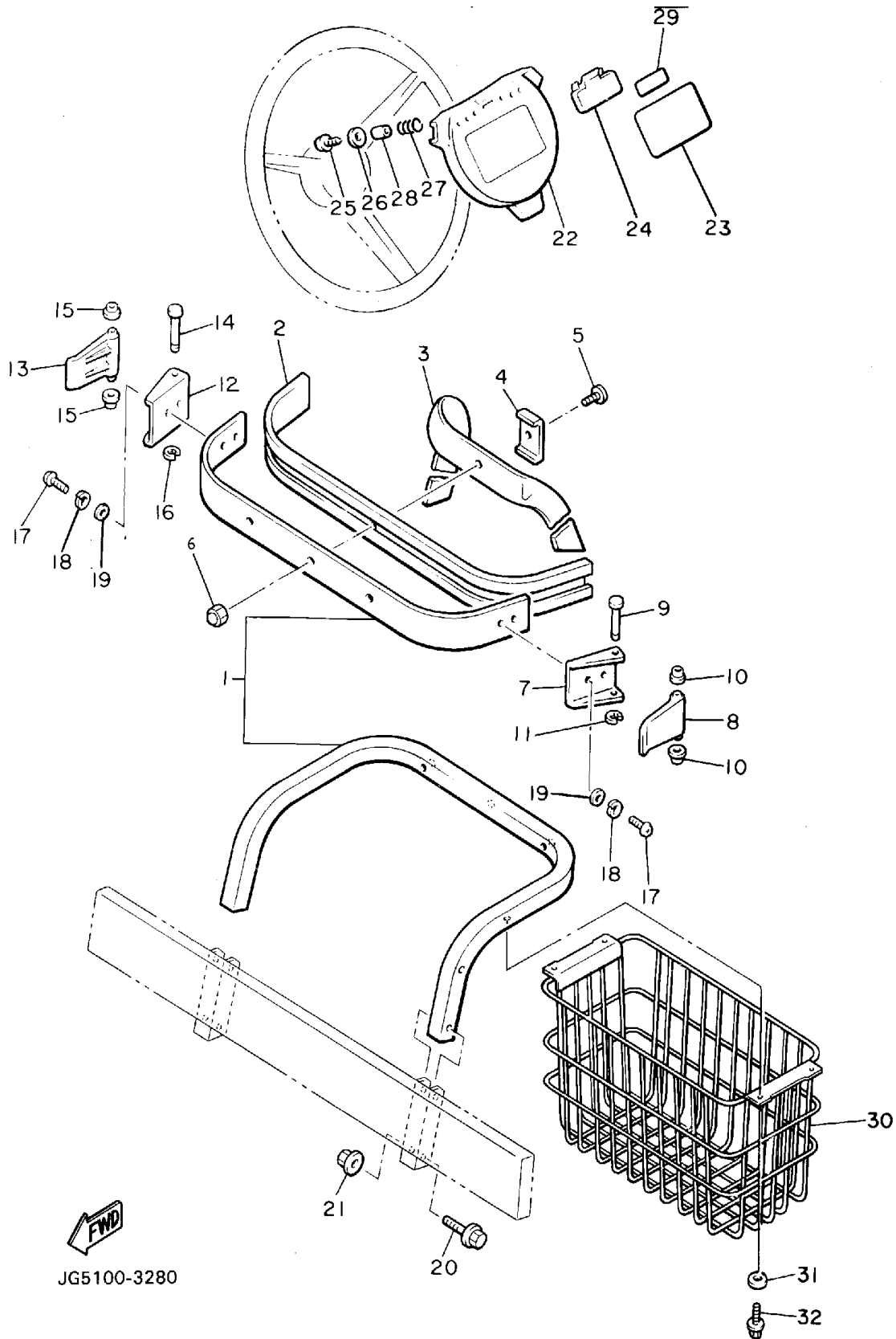
BODY FITTING



Ref. No.	Part Number	Description	Qty	Remarks
30	JG5-K8191-00-00	PANEL, REAR FENDER 1	1	YPAD
31	J55-K8192-00-00	PANEL, REAR FENDER 2	1	YPAD
32	97016-06016-00	BOLT	2	
33	92906-06100-00	WASHER, SPRING	2	
34	92906-06600-00	WASHER	2	
35	90267-48101-00	RIVET, BLIND	6	
36	J38-7814E-00-00	SEAL, BODY SIDE 1	2	
37	J38-7815E-00-00	PLATE, SEAL SUPPORT 2	2	
38	90267-40054-00	RIVET, BLIND	4	
	G9A-PARTS-BO-AR	ASSEMBLY HARDWARE	9	OPTIONAL PART

JG5100-3270

CARRIER



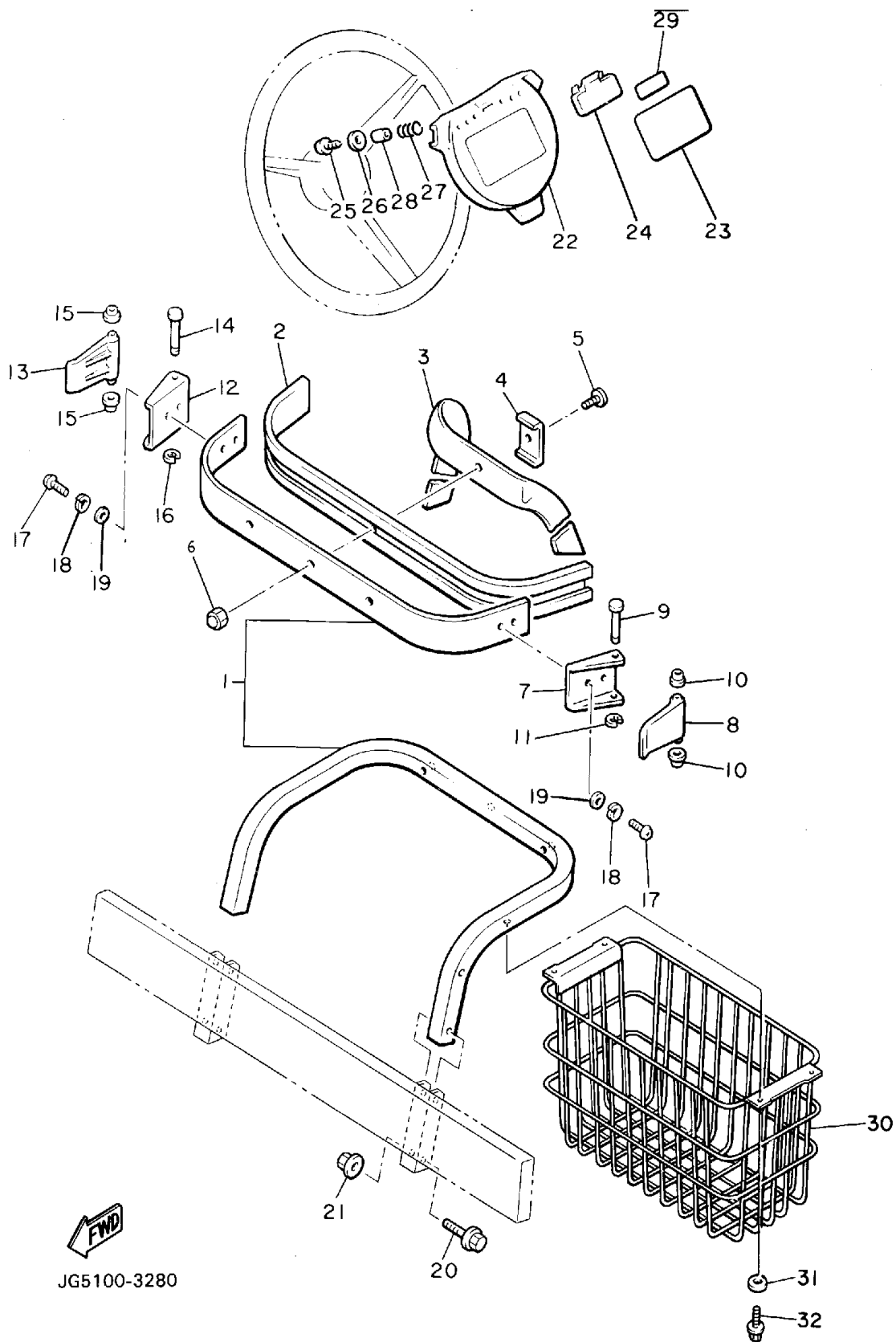
JG5100-3280

Ref. No.	Part Number	Description	Qty	Remarks
1	JG5-K8351-01-00	SUPPORT, BAG UPPER	1	YPAD
2	JF2-K8356-00-00	PAD, BAG SUPPORT	1	YPAD
3	J38-78355-00-00	BAND	1	
4	J38-78367-00-00	PLATE, ANCHOR	1	
5	98980-06016-00	SCREW, BINDING	1	
6	95380-06800-00	NUT	1	
7	J17-78157-01-00	BASE, LOCK	1	
8	J17-78368-01-00	LEVER, LOCK	1	
9	J17-78369-00-00	PIN, LEVER	1	
10	90386-06108-00	BUSH	2	
11	99080-05600-00	CIRCLIP	1	
12	J17-78157-01-00	BASE, LOCK	1	
13	J17-78368-01-00	LEVER, LOCK	1	
14	J17-78369-00-00	PIN, LEVER	1	
15	90386-06108-00	BUSH	2	
16	99080-05600-00	CIRCLIP	1	
17	98580-06010-00	SCREW, PAN HEAD (92503-06010)	4	
18	92995-06100-00	WASHER, SPRING	4	
19	92990-06200-00	WASHER	4	
20	95811-08040-00	BOLT, FLANGE	4	
21	95701-08500-00	NUT, FLANGE	4	
22	J55-K8357-00-00	HOLDER 1	1	YPAD
23	J50-77762-00-00	LABEL, WARNING 2	1	UR
24	J55-K8358-00-00	HOLDER 2	1	YPAD
25	97706-40525-00	SCREW, TAPPING	2	
26	90201-044H9-00	WASHER, PLAIN	2	
27	90502-10013-00	SPRING, CONICAL	2	
28	90387-046N7-00	COLLAR	2	

CONTINUED ON NEXT FRAME ►

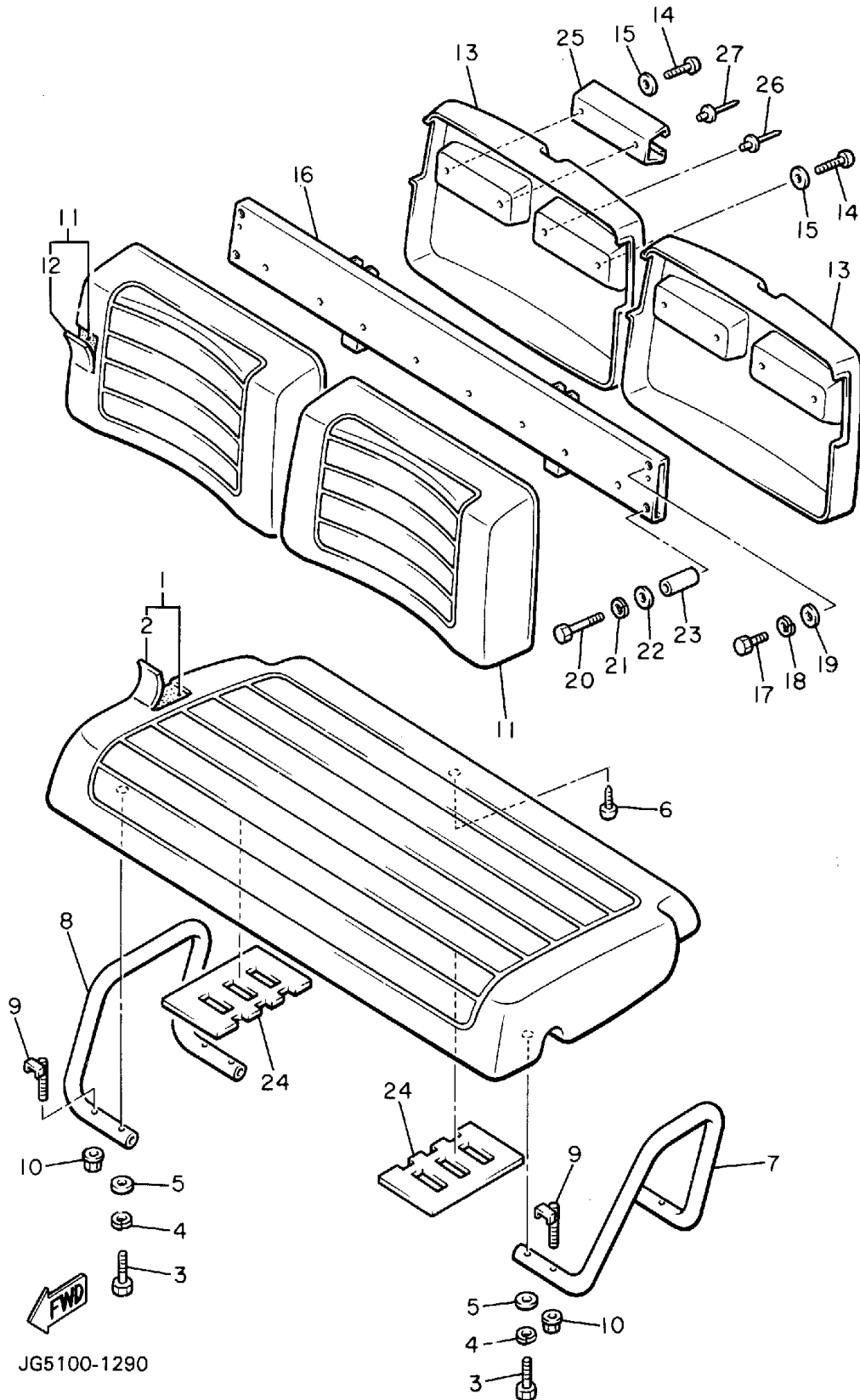
CARRIER

Ref. No.	Part Number	Description	Qty	Remarks
29	J38-77763-10-00	LABEL, WARNING 3	1	UR
30	JG5-K8340-00-00	LUGGAGE RACK ASSEMBLY, REAR	1	YPAD
31	90201-08103-00	WASHER, PLAIN	4	
32	95805-08016-00	BOLT, FLANGE	4	



FWD
JG5100-3280

SEAT



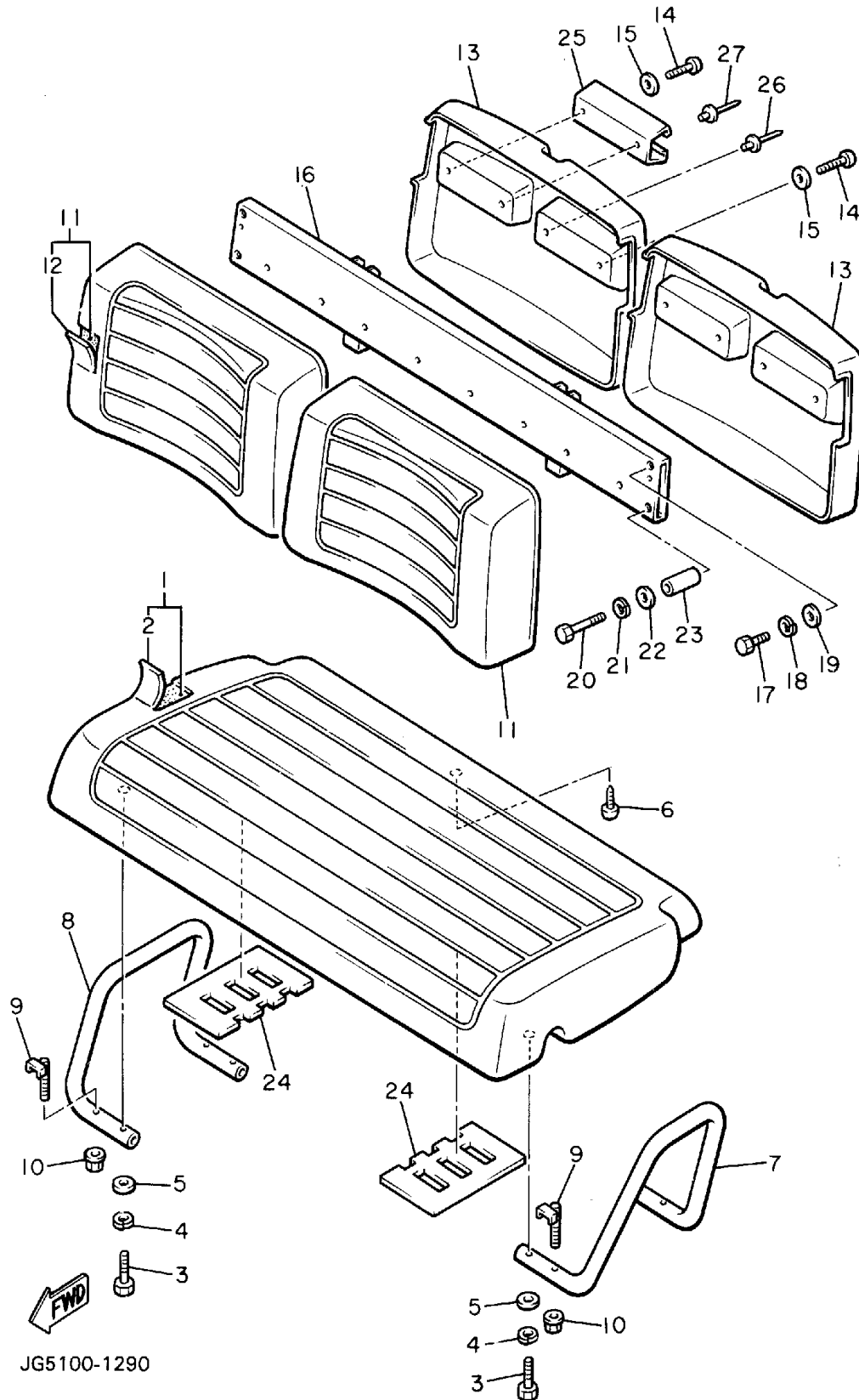
JG5100-1290

Ref. No.	Part Number	Description	Qty	Remarks
1	JG5-K8401-00-00	SEAT SUB-ASSEMBLY, CUSHION	1	YPAD
2	JG5-K8404-09-00	. COVER, SEAT	1	YPAD
3	97021-08065-00	BOLT	4	
4	92902-08100-00	WASHER, SPRING	4	
5	92990-08600-00	WASHER, PLATE	4	
6	90149-059U1-00	SCREW, PANHEAD (97701-50516)	1	
7	JG5-K8361-01-00	ARM REST 1	1	
8	JG5-K8362-01-00	ARM REST 2	1	
9	J38-78384-00-00	BOLT	4	
10	95601-08200-00	NUT, U	4	
11	JG5-K8402-01-00	SEAT SUB ASSEMBLY, BACK	2	YPAD
12	JG5-K841G-09-00	. COVER, SUB-SEAT	2	YPAD
13	JG5-K8413-00-00	COVER, SEAT BACK	2	YPAD
14	98980-06045-00	SCREW, BIND	4	
15	90201-065F3-00	WASHER, PLATE	4	
16	JG5-K8423-01-00	SUPPORT, SEAT BACK	1	YPAD
17	97011-08016-00	BOLT	2	
18	92902-08100-00	WASHER, SPRING	2	
19	92990-08600-00	WASHER, PLATE	2	
20	97022-08075-00	BOLT	2	
21	92902-08100-00	WASHER, SPRING	2	
22	92990-08600-00	WASHER, PLATE	2	
23	90387-103G9-00	COLLAR	2	
24	J55-K8419-00-00	PAD, SEAT PROTECTOR	2	YPAD
25	J55-K835A-00-00	HOLDER, BALL	2	YPAD
26	90267-63134-00	RIVET, BLIND	2	
27	90267-63047-00	RIVET, BLIND	2	

CONTINUED ON NEXT FRAME ►

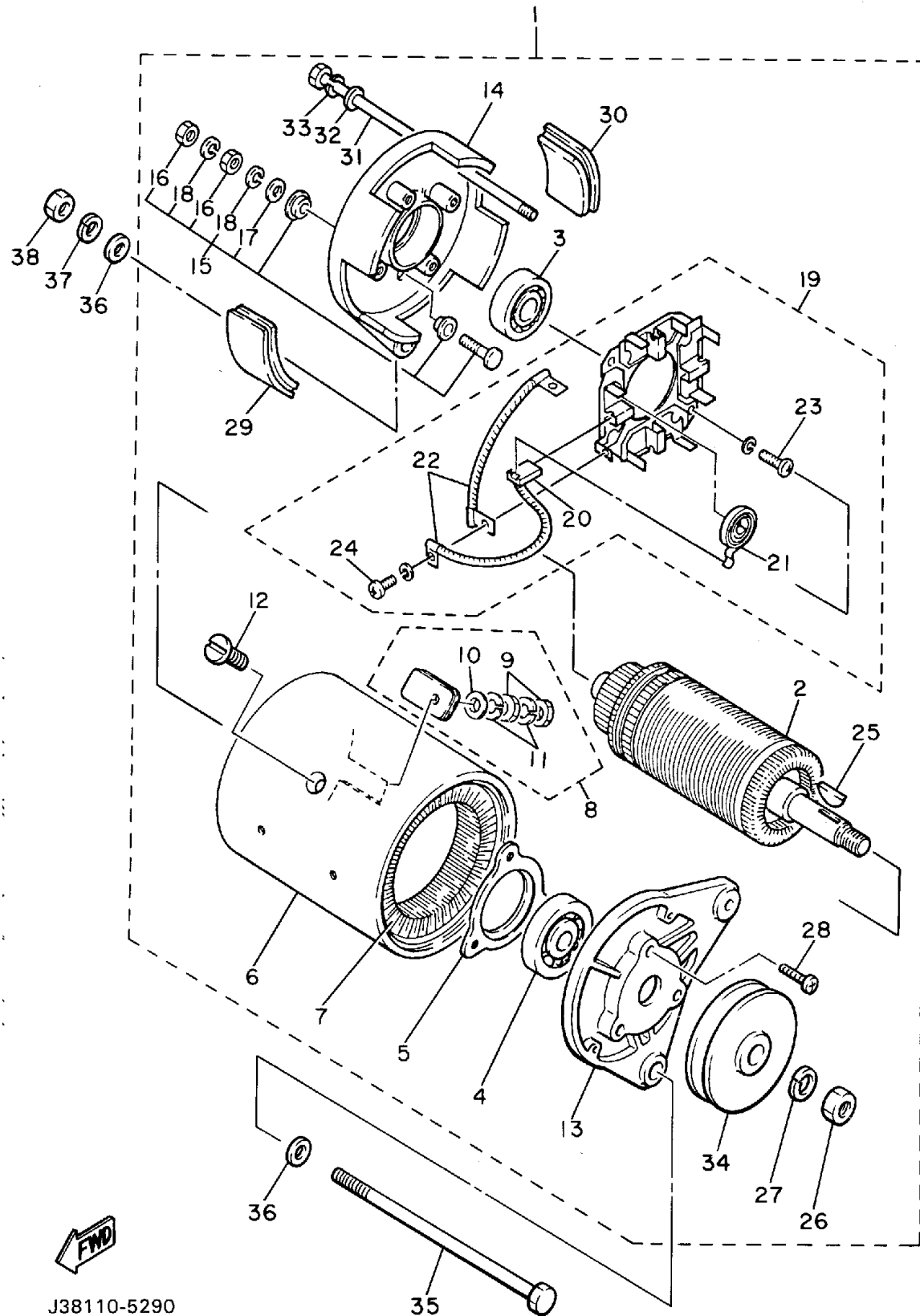
SEAT

Ref. No.	Part Number	Description	Qty	Remarks
27	G9A-PARTS-BO-AR	ASSEMBLY HARDWARE 9	OPTIONAL PART



JG5100-1290

STARTING MOTOR

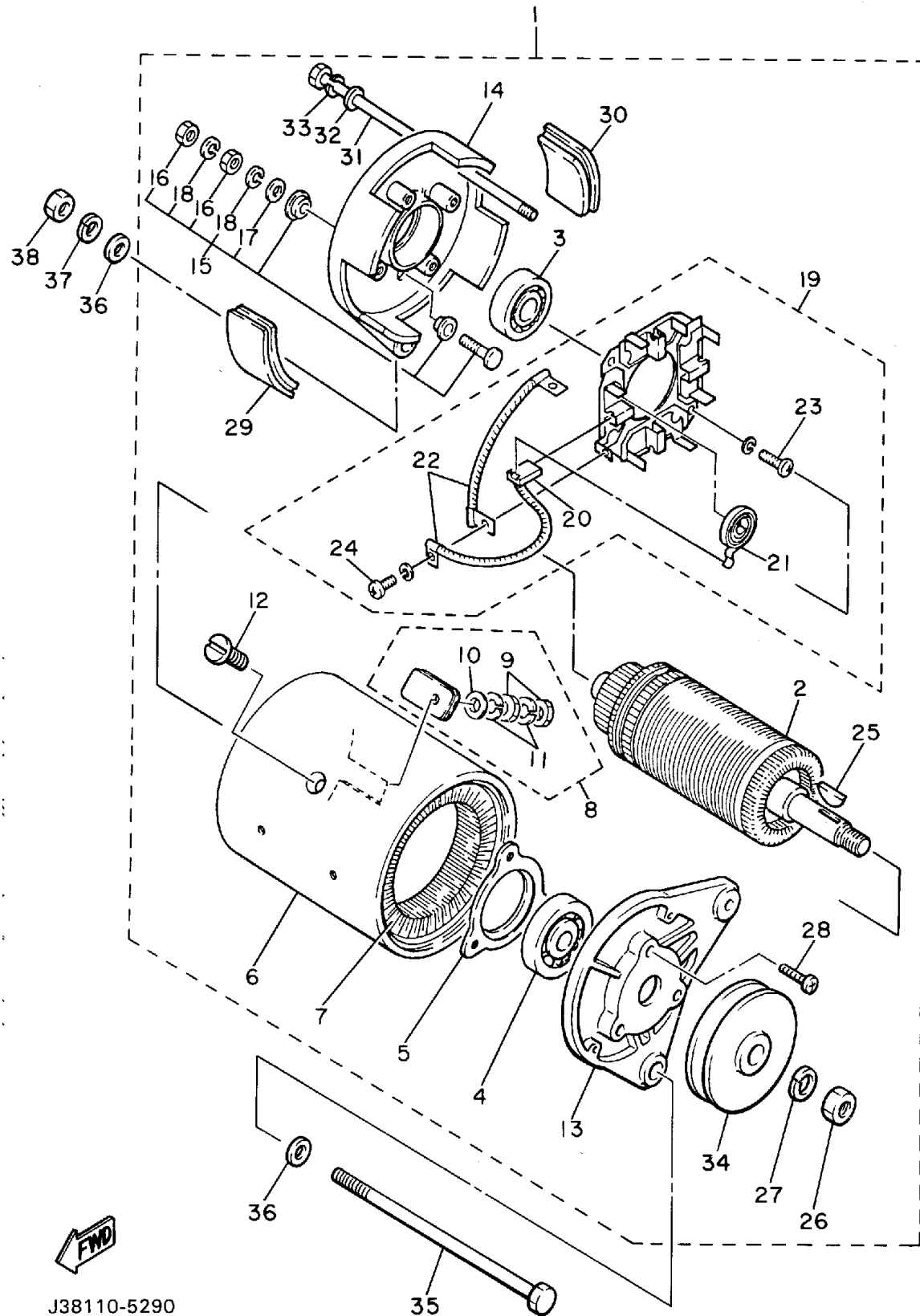


J38110-5290

Ref. No.	Part Number	Description	Qty	Remarks
1	J38-81100-11-00	STARTER GENERATOR ASSEMBLY (JF2-H1100-00-00)	1	YPAD
2	J10-81150-10-00	. ARMATURE ASSEMBLY	1	
3	J10-81157-10-00	. BEARING 1 (6202 SD)	1	
4	J10-81158-10-00	. BEARING 2 (6203 SD)	1	
5	J10-81159-10-00	. HOLDER, BEARING	1	
6	J38-81110-10-00	. STATOR ASSEMBLY	1	
7	J38-81160-10-00	. FIELD COIL ASSEMBLY	1	
8	J10-81148-10-00	. SCREW	2	
9	95380-06600-00	.. NUT	4	
10	92990-06600-00	.. WASHER, PLATE	2	
11	92995-06100-00	.. WASHER, SPRING	4	
12	J10-81146-10-00	. SCREW	4	
13	J38-81165-10-00	. BRACKET, STARTER GENERATOR	1	
14	J10-81166-10-00	. BRACKET, STARTER GENERATOR	1	
15	J10-81147-10-00	. SCREW	2	
16	95380-06600-00	.. NUT	4	
17	92990-06600-00	.. WASHER, PLATE	2	
18	92995-06100-00	.. WASHER, SPRING	4	
19	JF2-81119-00-00	. BRUSH HOLDER ASSEMBLY	1	
20	JF2-81111-00-00	.. BRUSH	4	
21	J38-81113-10-00	.. SPRING, BRUSH	4	
22	J10-81115-10-00	.. WIRE, LEAD	2	
23	98580-05016-00	.. SCREW, PAN HEAD	2	
24	98580-04010-00	.. SCREW, PAN HEAD	4	
25	J38-81163-10-00	. KEY	1	
26	95312-14600-00	. NUT	1	
27	92901-14100-00	. WASHER, SPRING	1	

CONTINUED ON NEXT FRAME ►

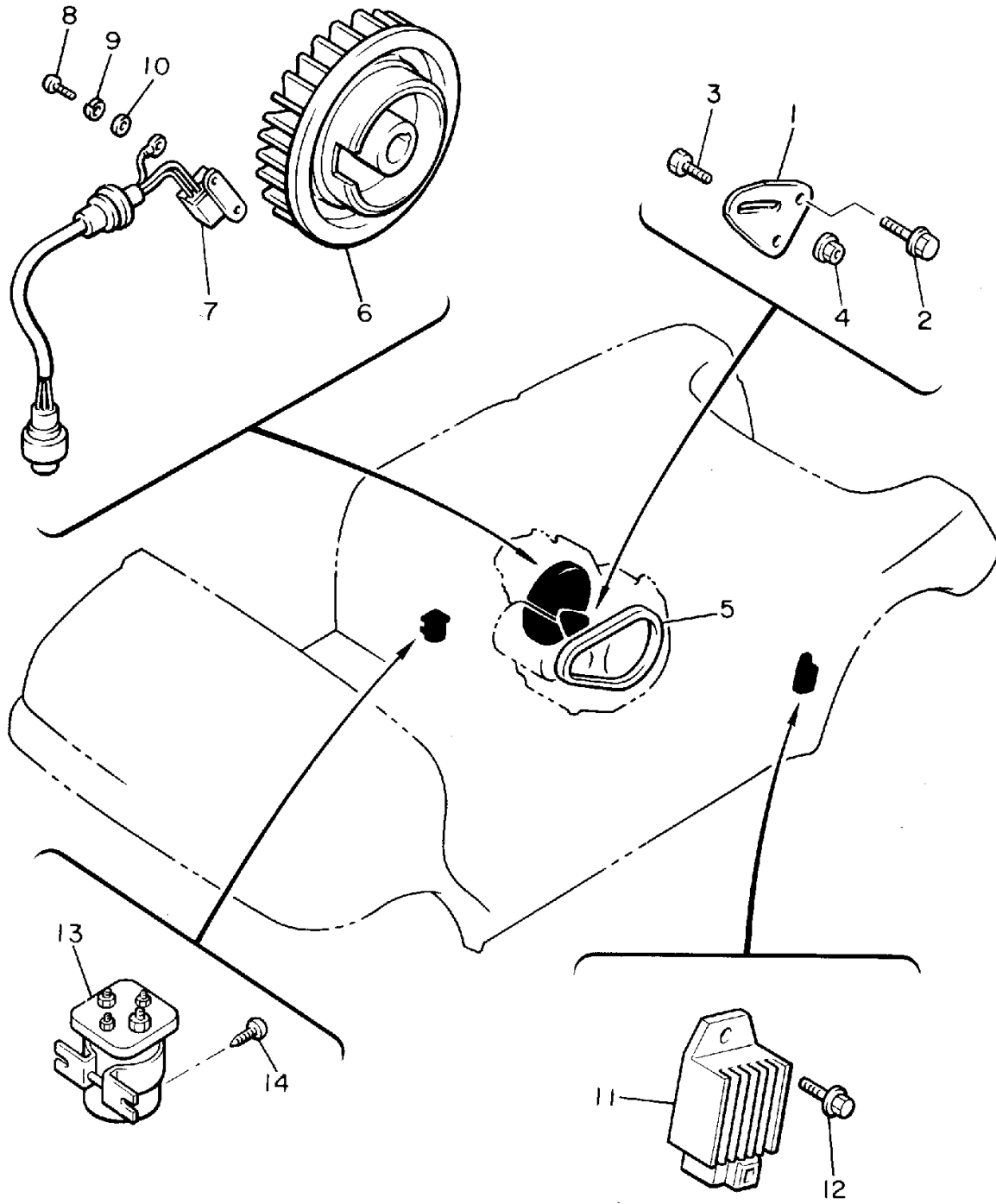
STARTING MOTOR



J38110-5290

Ref. No.	Part Number	Description	Qty	Remarks
28	98501-05018-00	. SCREW, PAN HEAD	3	
29	J10-81129-10-00	. COVER, BRUSH	3	
30	J10-81129-10-00	. COVER, BRUSH	1	
31	J10-81145-10-00	. SCREW	2	
32	92990-06600-00	. WASHER, PLATE	2	
33	92995-06100-00	. WASHER, SPRING	2	
34	J38-81161-10-00	. PULLEY	1	
35	90101-12545-00	BOLT	1	
36	92990-12600-00	WASHER, PLATE	2	
37	92901-12100-00	WASHER, SPRING	1	
38	95303-12600-00	NUT	1	

ELECTRICAL 1

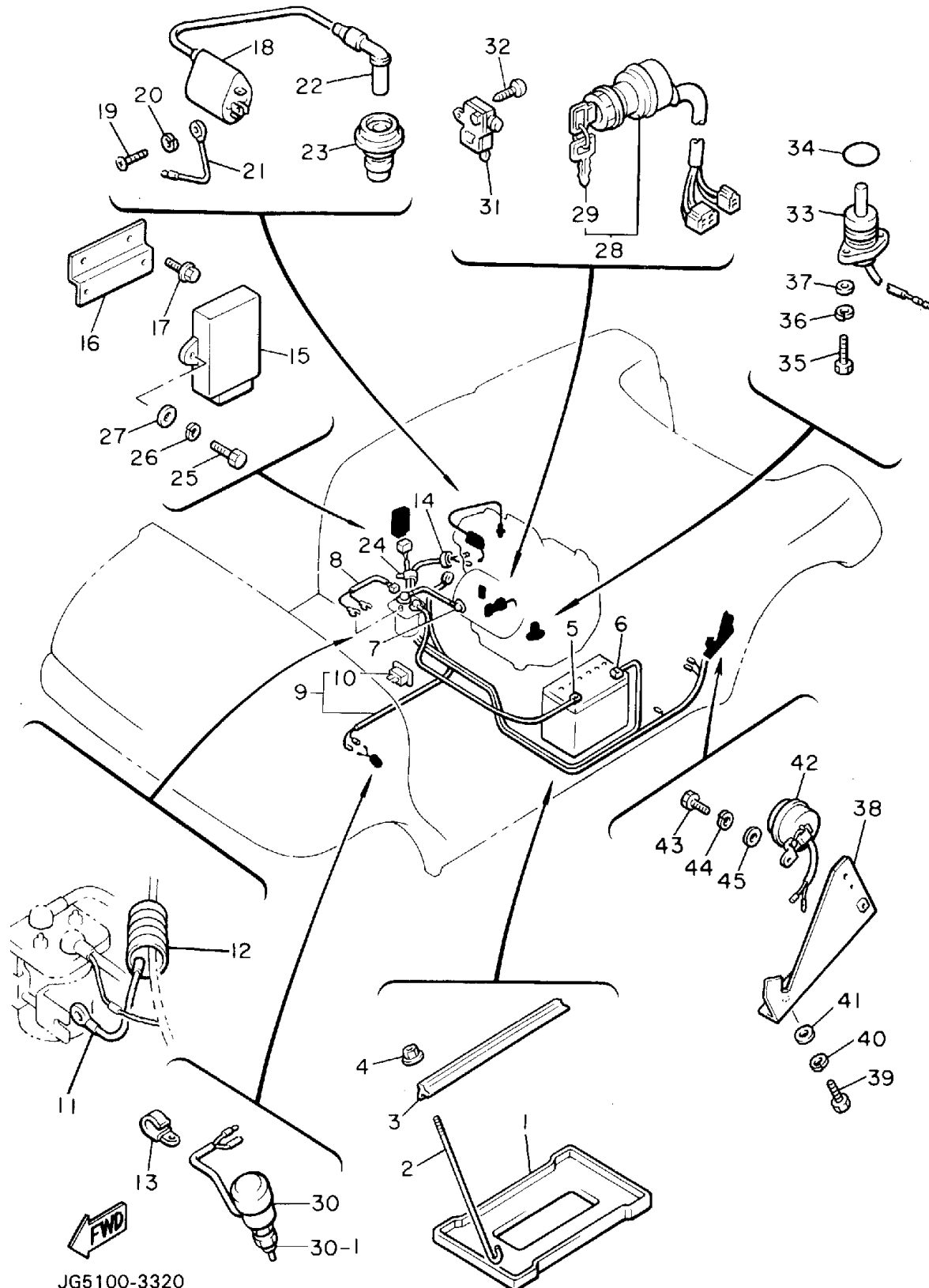


Ref. No.	Part Number	Description	Qty	Remarks
1	J38-81170-00-00	TENSIONER ASSEMBLY	1	
2	95821-08025-00	BOLT, FLANGE	2	
3	90109-087A5-00	BOLT	1	
4	95701-08500-00	NUT, FLANGE	1	
5	J55-H1173-00-00	BELT	1	YPAD
6	J38-81350-29-00	ROTOR ASSEMBLY	1	
7	J38-85580-20-00	COIL, PULSER	1	
8	98580-05016-00	SCREW, PAN HEAD	2	
9	92990-05100-00	WASHER, SPRING	2	
10	92901-05600-00	WASHER, PLATE	2	
11	JF2-81910-00-00	VOLTAGE REGULATOR ASSEMBLY	1	
12	95811-06016-00	BOLT, FLANGE (95822-06016)	2	
13	JF2-H1950-00-00	RELAY ASSEMBLY.	1	YPAD
14	90163-06005-00	SCREW, HEX. T	2	



JG5100-3310

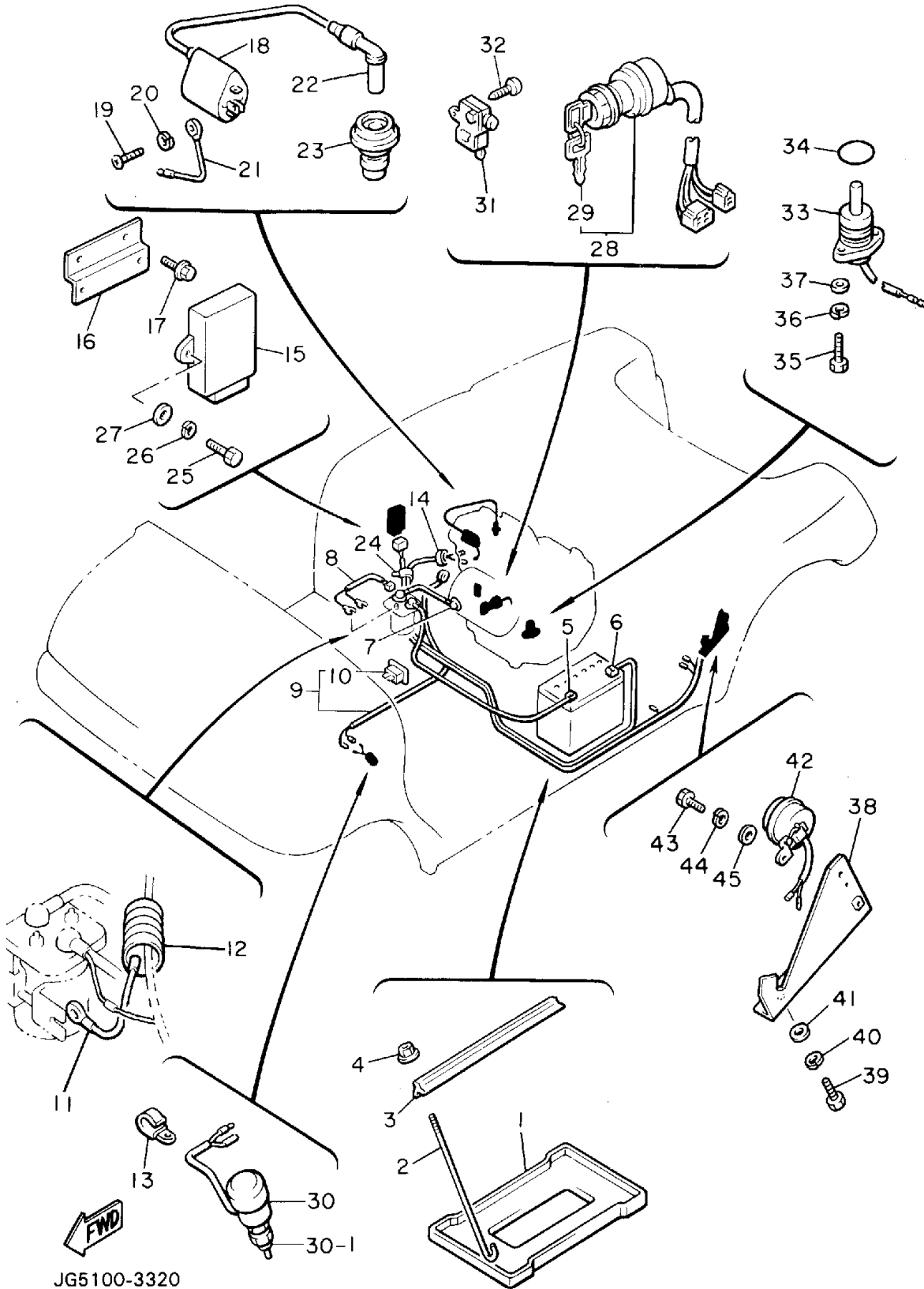
ELECTRICAL 2



Ref. No.	Part Number	Description	Qty	Remarks
1	J55-H2122-00-00	SEAT, BATTERY	1	YPAD
2	J17-82133-00-00	SCREW, FITTING	2	
3	J55-H2136-00-00	PLATE, BATTERY	1	YPAD
4	95701-06500-00	NUT, FLANGE	2	
5	J55-H2115-02-00	WIRE, PLUS LEAD	1	YPAD
6	J55-H2116-01-00	WIRE, MINUS LEAD	1	YPAD
7	JG5-H2117-01-00	WIRE, LEAD	1	YPAD
8	JF2-82105-00-00	WIRE HARNESS	1	
9	JG5-82590-02-00	WIRE HARNESS ASSEMBLY ..	1	
10	42X-82151-00-00	. FUSE (10A-BL)	2	
11	JG5-H232Y-00-00	WIRE, EARTH LEAD	1	YPAD
12	JG5-H7198-00-00	TUBE 3	1	YPAD
13	90465-06038-00	CLAMP	1	
14	90464-23041-00	CLAMP	1	
15	JG5-82305-00-00	IGNITOR UNIT ASSEMBLY ...	1	
16	JG5-H553A-00-00	STAY UNIT	1	YPAD
17	95811-06010-00	BOLT, FLANGE	2	
18	J38-82310-20-00	IGNITION COIL ASSEMBLY ...	1	
19	98501-05020-00	SCREW, PAN HEAD	2	
20	92990-05100-00	WASHER, SPRING	2	
21	J38-82318-00-00	WIRE, SUB-LEAD	1	
22	8K1-82370-20-00	PLUG CAP ASSEMBLY (WITH RESISTOR)	1	
23	J38-82372-00-00	SEAL, plug cap	1	
24	90465-08028-00	CLAMP	1	
25	97011-06020-00	BOLT	2	
26	92995-06100-00	WASHER, SPRING	2	
27	92990-06600-00	WASHER, PLATE	2	
28	J55-82510-00-00	MAIN SWITCH ASSEMBLY ...	1	

CONTINUED ON NEXT FRAME ►

ELECTRICAL 2



Ref. No.	Part Number	Description	Qty	Remarks
29	J17-82511-20-00	. KEY, MAIN SWITCH	1	
30	J41-82550-02-00	STOP SWITCH ASSEMBLY ...	1	
31	J50-82617-00-00	SWITCH	1	
32	90164-04005-00	SCREW, TAPPING	2	
33	JG5-15385-01-00	PLUG, BLIND	1	
34	93210-24235-00	O-RING	1	
35	97011-06020-00	BOLT	2	
36	92995-06100-00	WASHER, SPRING	2	
37	92990-06600-00	WASHER, PLATE	2	
38	JG5-H2153-00-00	STAY, FUSE HOLDER	1	YPAD
39	97011-06020-00	BOLT	2	
40	92995-06100-00	WASHER, SPRING	2	
41	92990-06600-00	WASHER, PLATE	2	
42	J10-83383-02-00	BUZZER	1	
43	97011-06016-00	BOLT	1	
44	92995-06100-00	WASHER, SPRING	1	
45	92990-06600-00	WASHER, PLATE	1	
	G9A-PARTS-BO-AR	ASSEMBLY HARDWARE	9	OPTIONAL PART

GOLF CAR	DATE: 10/21/93	BUL: G93-005
----------	----------------	--------------

G8A/G9A/G11A

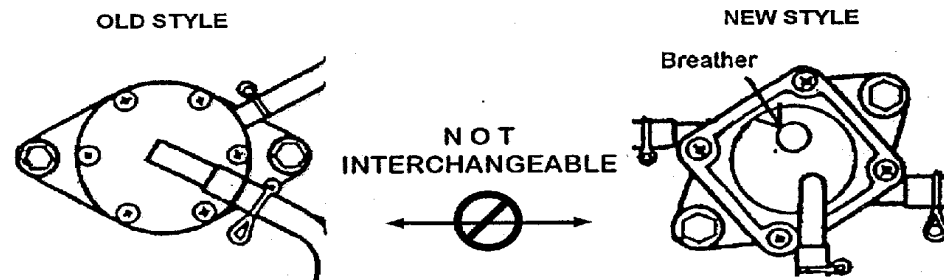
FUEL PUMP CHANGES

INTRODUCTION

The fuel pump has been changed, beginning with April 1993 production of the G8AJ, G9AJ, and G11AJ. The new pump has a brass air breather which is designed to help prevent water condensation from collecting in the pulse chamber and hose.

The new fuel pump is not interchangeable with the old ones.

IDENTIFICATION



AFFECTED UNITS

G8AJ	JF2-304811 ~
G9AJ	JG5-216692 ~
G11AJ	JJ3-000406 ~

PARTS INFORMATION

Model	Description	Old Style	New Style	Interchangeable
G8A/11A	Fuel Pump Assy.	JF2-24410-10-00	JF2-24410-20-00	NO
G9A	Fuel Pump Assy.	J38-24410-10-00	JG5-24410-00-00	NO

WARRANTY INFORMATION

No warranty applies. This bulletin is for information purposes only.

ROUTE TO: SERVICE PARTS WARRANTY SALES PAGE 1 OF 1

GOLF CAR	DATE: 05/25/94	BUL: G94-002
----------	----------------	--------------

G9AK/EK

TOE-IN SETTING CHANGES

INTRODUCTION

A revised toe-in specification is used on affected 1994 cars. These cars are equipped with a different shock absorber.

DEALER ACTION SUMMARY

Add the revised toe-in specification and affected unit range to all service literature

and service manuals that include these models.

SERVICE INFORMATION

The revised toe-in specification is as follows:
UNLOADED CONDITION

G9AK	9.5mm ± 5mm
G9EK	7.0mm ± 5mm

It is normally not necessary to check or set toe-in on new cars at predelivery.

If an adjustment is necessary, follow the procedure outlined in Technical Bulletin G91-002A. However, use the tire pressure specifications for the 1994 cars of 16~20 psi.

Unloaded condition is a fully assembled gas car with a full tank of fuel, or a fully assembled electric with all batteries installed, but without accessories, operator, passenger or golf bags.

AFFECTED UNITS

G9AK/AK1	JG5-307130 ~
G9EK/EK1/EKP	JH7-201368 ~

WARRANTY INFORMATION

No warranty applies with this bulletin. This is for information purposes only.