



PARTS CATALOGUE

MODEL YEAR 1994

G8-EKP (JF32)

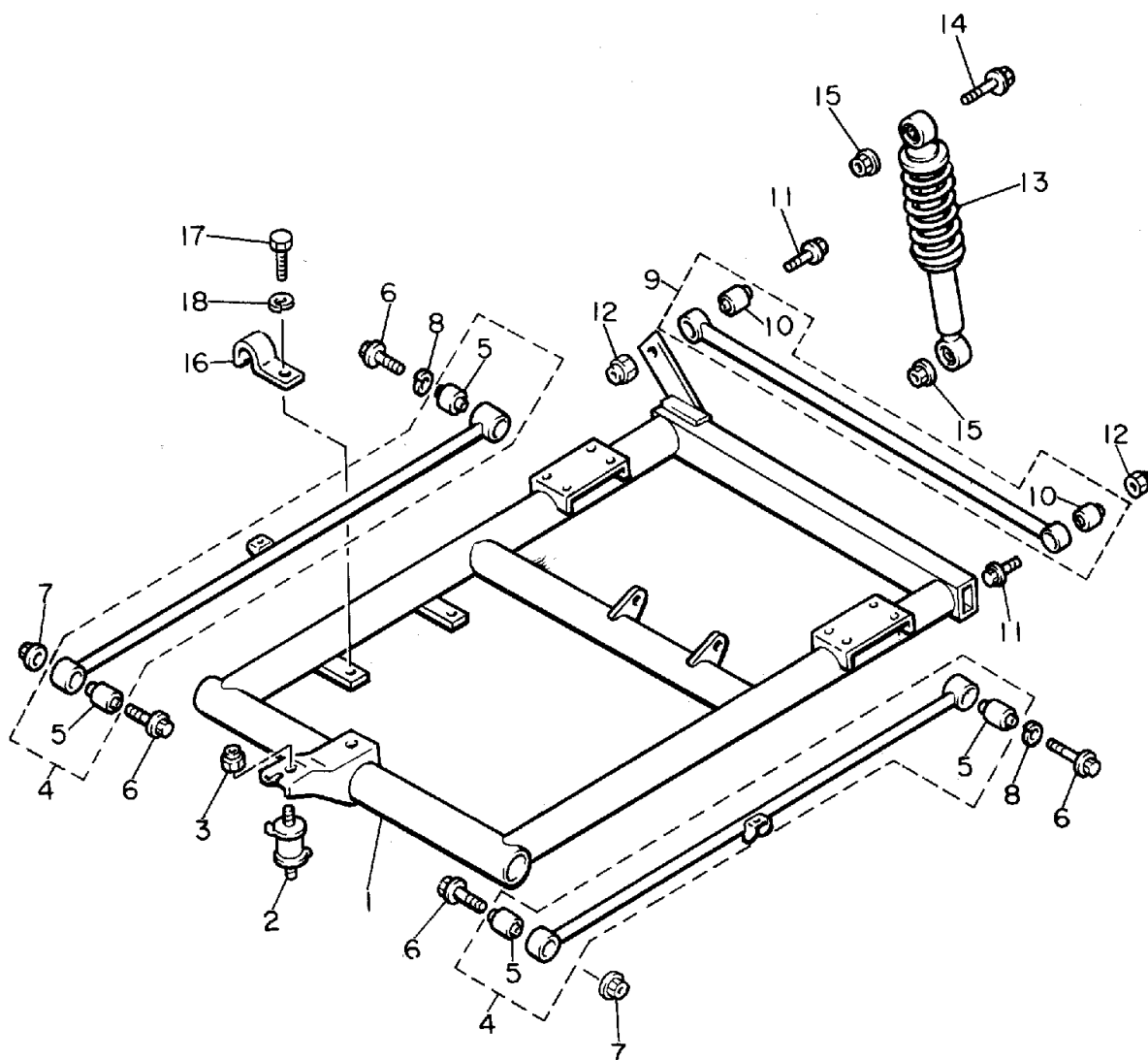
Frame Serial No.	JF3-401801~401900
------------------	-------------------

PUBLICATION	PART NUMBER	REMARKS
OWNER'S MANUAL	LIT-19626-00-58	
ASSEMBLY	LIT-19666-00-33	
SERVICE MANUAL	LIT-19616-00-33	MAIN
COUNTRY CLUB	LIT-1001J-G8-94	



YAMAHA
ONLINE
 Parts & Accessories

REAR ARM - SUSPENSION

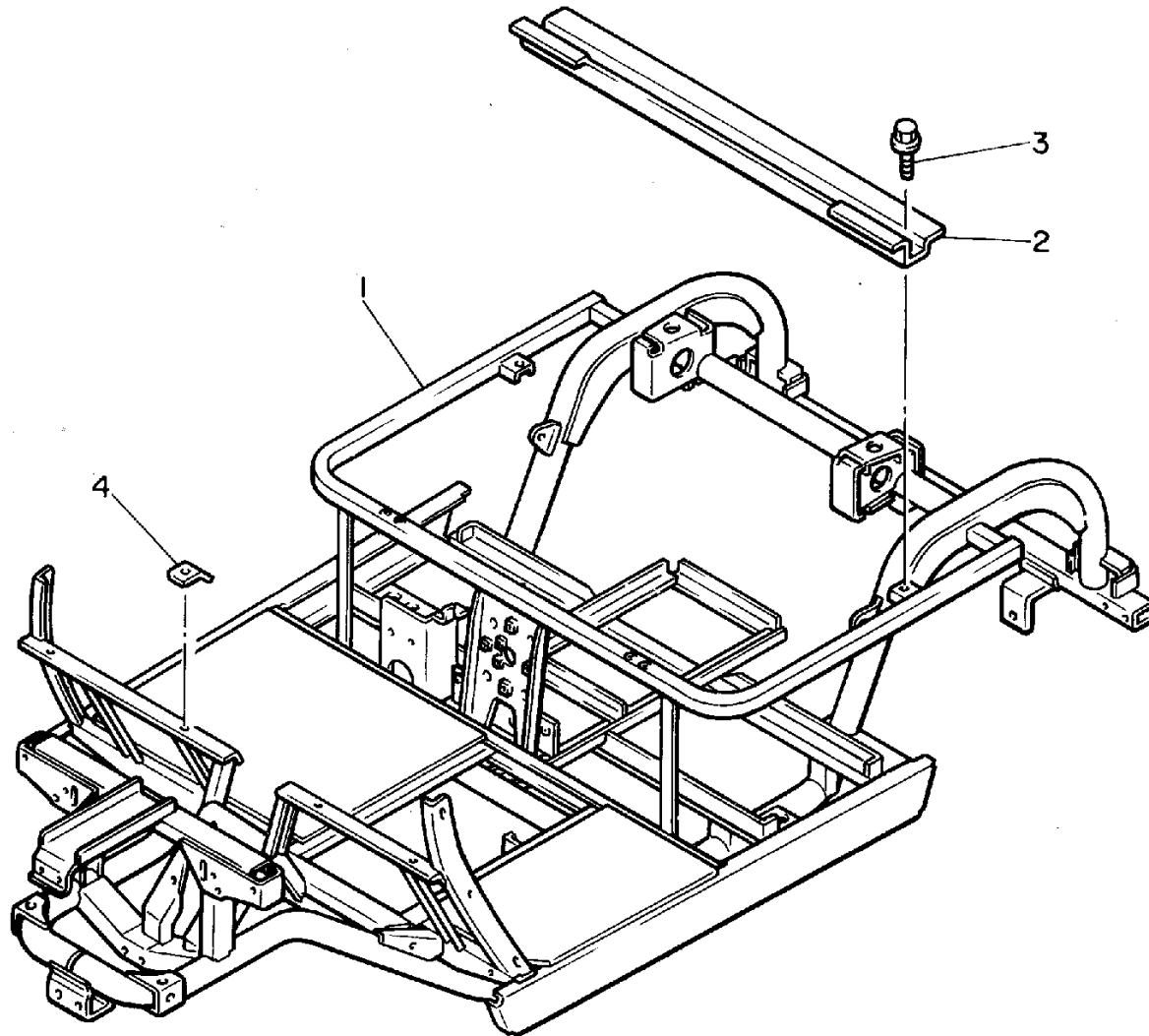


Ref. No.	Part Number	Description	Qty	Remarks
1	JF3-F2110-00-00	REAR ARM COMP.	1	YPAD
2	J50-22123-01-00	BUSH 1	1	
3	90185-10115-00	NUT, SELF-LOCKING	2	
4	J50-22171-00-00	ARM, REAR 1	2	
5	J50-22124-00-00	. BUSH 2	2	
6	95812-12065-00	BOLT, FLANGE	4	
7	90185-12072-00	NUT, SELF-LOCKING	2	
8	92901-12100-00	WASHER, SPRING	2	
9	JF2-22172-00-00	ARM, REAR 2	1	
10	J50-22124-00-00	. BUSH 2	2	
11	95812-12065-00	BOLT, FLANGE	2	
12	90185-12072-00	NUT, SELF-LOCKING	2	
13	JF3-22210-01-00	SHOCK ABSORBER ASSEMBLY, REAR	2	
14	95812-12065-00	BOLT, FLANGE	2	
15	90185-12072-00	NUT, SELF-LOCKING	4	
16	90462-20186-00	CLAMP	2	
17	97013-06012-00	BOLT	2	
18	92995-06100-00	WASHER, SPRING	2	



JF3100-0010

FRAME

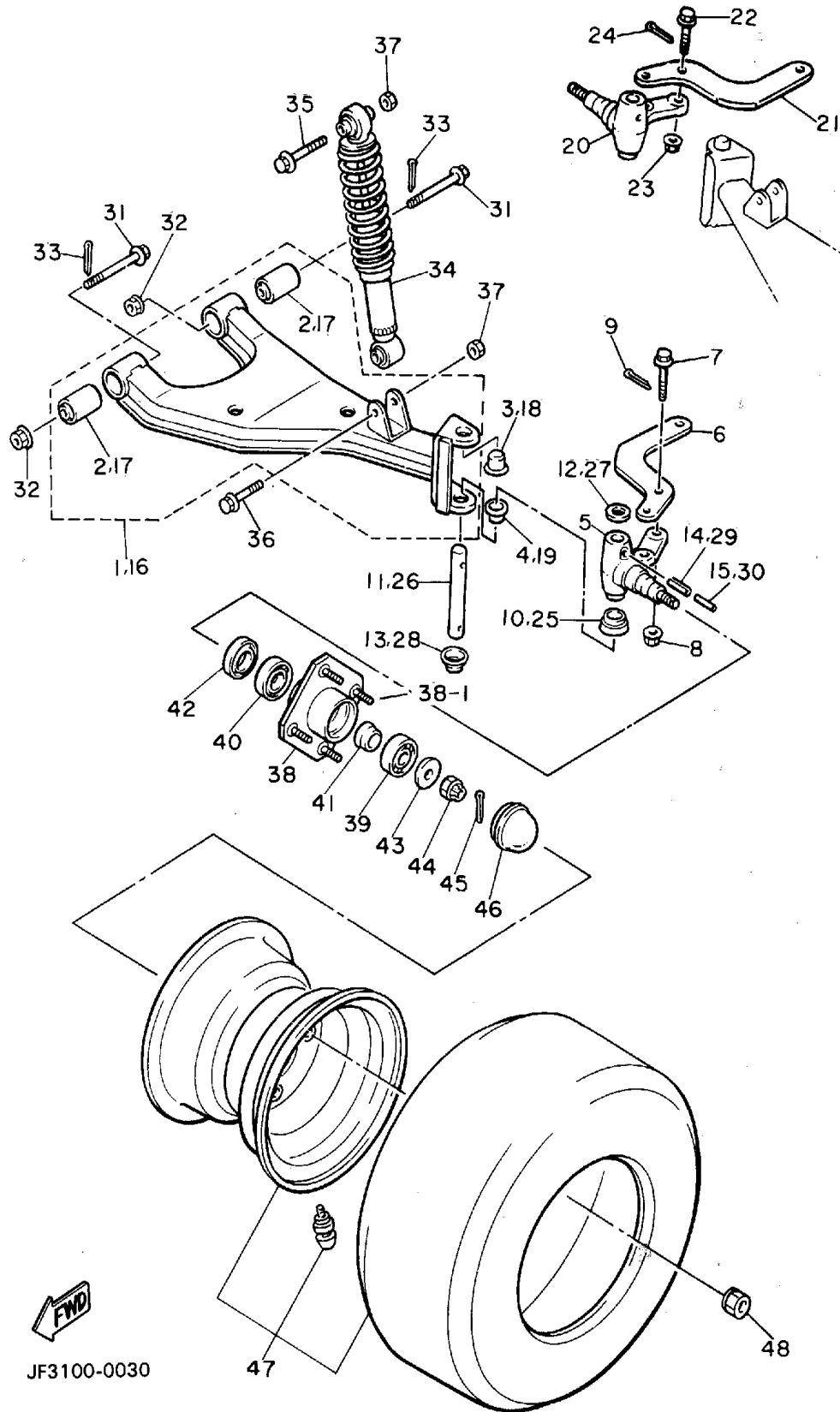


Ref. No.	Part Number	Description	Qty	Remarks
1	JF3-F2501-10-00	FRAME COMP.	1	YPAD
2	JF2-F254R-00-00	SUPPORT, BODY MOUNTING .	1	YPAD
3	95811-08016-00	BOLT, FLANGE	2	
4	JF2-7814A-00-00	SEAL, BODY UPPER	4	



JF3100-0020

FRONT SUSPENSION - WHEEL



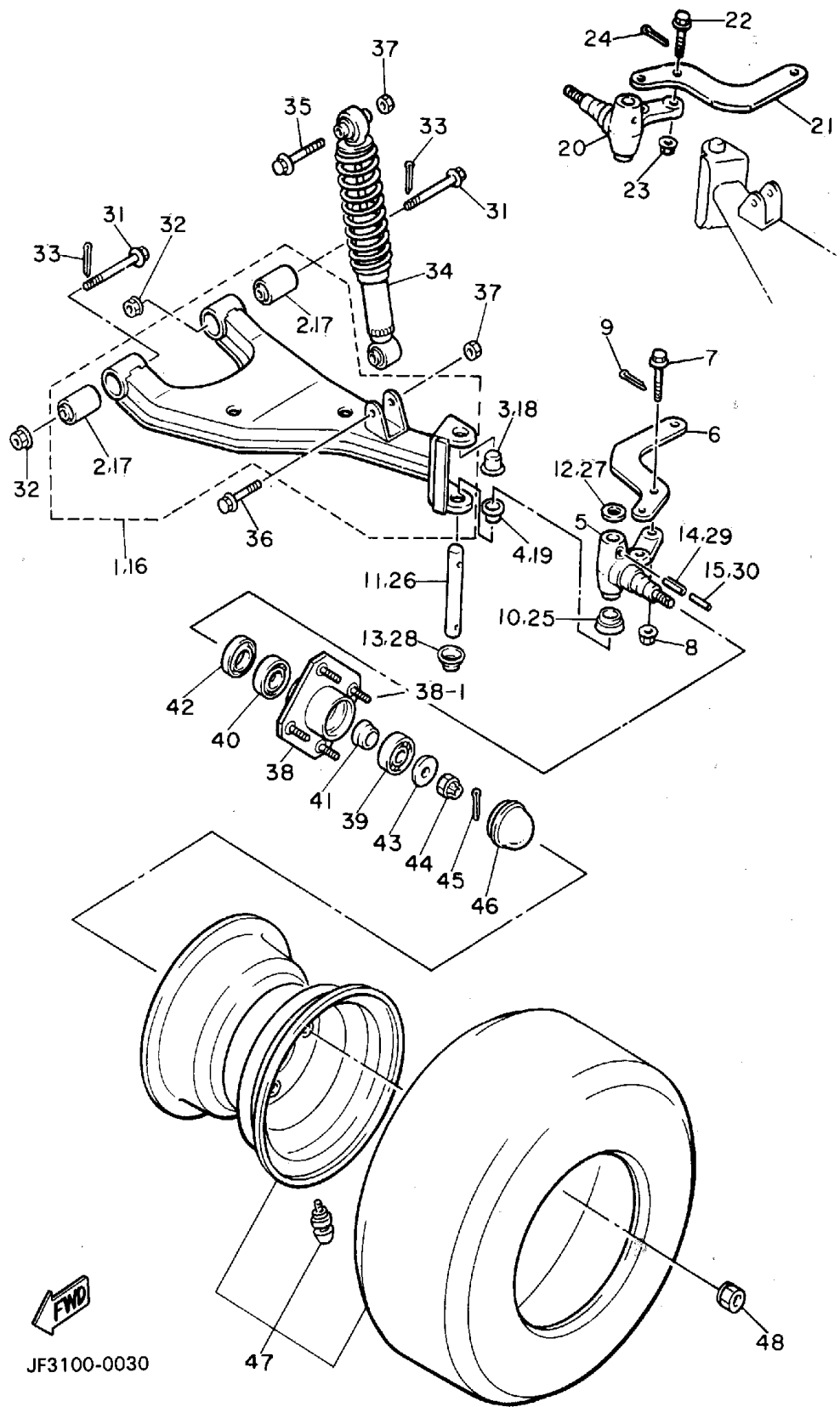
Ref. No.	Part Number	Description	Qty	Remarks
1	JF2-F3570-00-00	FRONT LOWER ARM COMP. (LEFT)	1	YPAD
2	J38-23526-00-00	. BUSH	2	
3	90338-17225-00	PLUG	1	
4	90386-15139-00	BUSH	1	
5	J38-23511-01-00	KNUCKLE, STEERING 1	1	
6	J38-23512-02-00	ARM, KNUCKLE 1	1	
7	90105-10360-00	BOLT, FLANGE	2	
8	90185-10115-00	NUT, SELF-LOCKING	2	
9	91401-25020-00	PIN, COTTER	2	
10	J38-23527-00-00	SEAL, DUST	1	
11	J38-23516-00-00	PIN, STEERING KNUCKLE	1	
12	90201-156J2-00	WASHER, PLAIN	1	
13	J38-23528-00-00	SEAL, DUST	1	
14	91609-60028-00	PIN, SPRING	1	
15	91609-35028-00	PIN, SPRING	1	
16	JF2-F3580-00-00	FRONT LOWER ARM COMP. (RIGHT)	1	YPAD
17	J38-23526-00-00	. BUSH	2	
18	90338-17225-00	PLUG	1	
19	90386-15139-00	BUSH	1	
20	J38-23521-01-00	KNUCKLE, STEERING 2	1	
21	J38-23512-02-00	ARM, KNUCKLE 1	1	
22	90105-10360-00	BOLT, FLANGE	2	
23	90185-10115-00	NUT, SELF-LOCKING	2	
24	91401-25020-00	PIN, COTTER	2	
25	J38-23527-00-00	SEAL, DUST	1	
26	J38-23516-00-00	PIN, STEERING KNUCKLE	1	
27	90201-156J2-00	WASHER, PLAIN	1	

CONTINUED ON NEXT FRAME ►



JF3100-0030

FRONT SUSPENSION - WHEEL

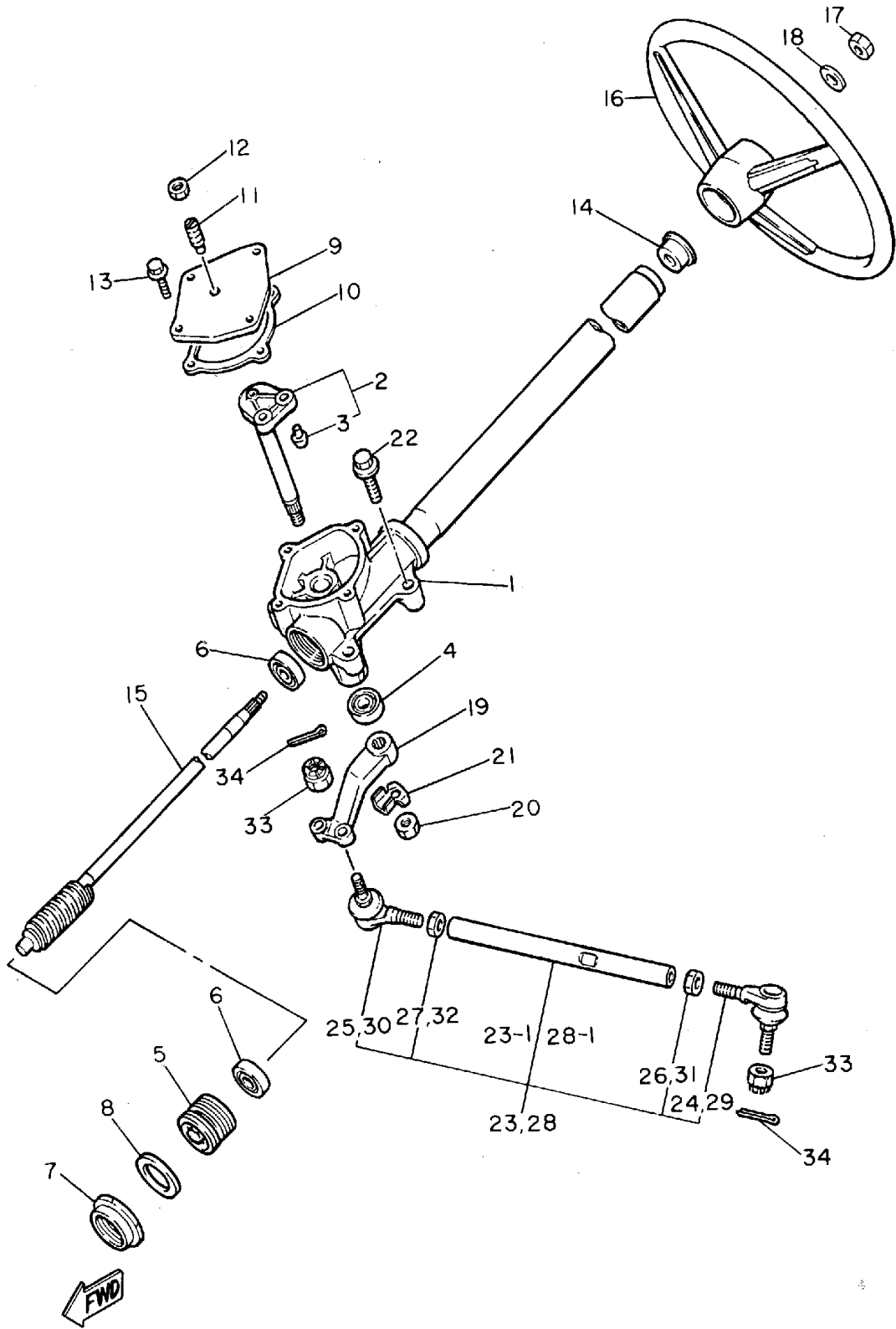


Ref. No.	Part Number	Description	Qty	Remarks
28	J38-23528-00-00	SEAL, DUST	1	
29	91609-60028-00	PIN, SPRING	1	
30	91609-35028-00	PIN, SPRING	1	
31	90105-10357-00	BOLT, FLANGE	4	
32	90185-10115-00	NUT, SELF-LOCKING	4	
33	91401-25020-00	PIN, COTTER	4	
34	JF3-23350-02-00	SHOCK ABSORBER ASSEMBLY	2	
35	97002-10065-00	BOLT	2	
36	97012-10050-00	BOLT (97002-10050-00)	2	
37	95601-10100-00	NUT, U (95602-10100-00)	4	
38	JG5-WF511-00-00	HUB	2	
39	93306-20437-00	BEARING	2	
40	93306-00511-00	BEARING	2	
41	90387-241M7-00	COLLAR	2	
42	93102-30083-00	SEAL, OIL	2	
43	90209-32271-00	WASHER	2	
44	95601-14100-00	NUT, U (95602-14100-00)	2	
45	91401-25020-00	PIN, COTTER	2	
46	J17-25118-00-00	COVER, HUB DUST	2	
47	JG5-F5100-30-00	FRONT WHEEL ASSEMBLY (JG5-F5100-30-00)	2	YPAD
48	90179-12262-00	NUT	8	
38-1	90114-12800-00	. BOLT, RIBBED NECK	8	



JF3100-0030

STEERING

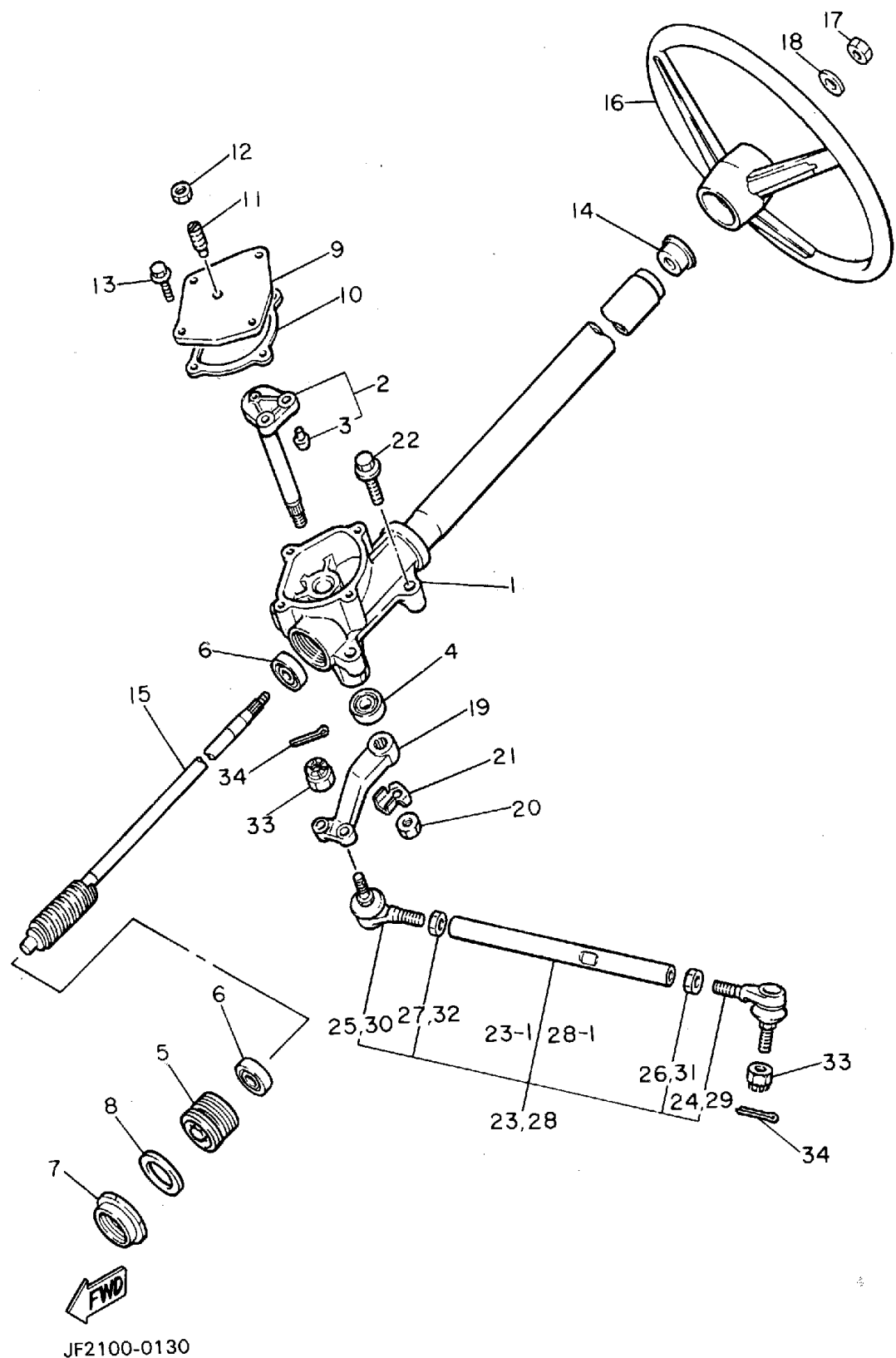


JF2100-0130

Ref. No.	Part Number	Description	Qty	Remarks
1	JG5-F3811-00-00	COLUMN, STEERING	1	YPAD
2	J38-23816-00-00	ARM, PITMAN	1	
3	J38-23836-00-00	. PIN, PITMAN	2	
4	93102-22314-00	SEAL, OIL	1	
5	J55-F3876-00-00	BOLT	1	YPAD
6	93332-00010-00	BEARING	2	
7	J10-23877-00-00	NUT	1	
8	J10-23444-00-00	WASHER	1	
9	J55-23818-00-00	COVER, STEERING	1	
10	J38-23462-00-00	SEAL, STEERING (J38-23462-01-00)	1	
11	J10-23459-00-00	BOLT	1	
12	90170-08024-00	NUT, HEX.	1	
13	95811-06020-00	BOLT, FLANGE	4	
14	J38-23814-00-00	HOLDER, HANDLE UPPER	1	
15	J10-23840-00-00	STEERING SHAFT	1	
16	JF2-F3838-00-00	WHEEL, STEERING	1	YPAD
17	90185-12119-00	NUT, SELF-LOCKING	1	
18	92990-12200-00	WASHER, PLAIN	1	
19	J38-23826-01-00	ARM, IDLER	1	
20	95701-16300-00	NUT, FLANGE	1	
21	90215-16252-00	WASHER, TONGUE	1	
22	95811-10050-00	BOLT, FLANGE (95812-10050-00)	4	
23	JF2-F3830-00-00	TIE ROD ASSEMBLY	1	YPAD
24	J38-23841-01-00	. JOINT, UNIVERSAL 1	1	
25	J38-23845-01-00	. JOINT, UNIVERSAL 2	1	
26	90170-12055-00	. NUT	1	
27	90170-12054-00	. NUT	1	

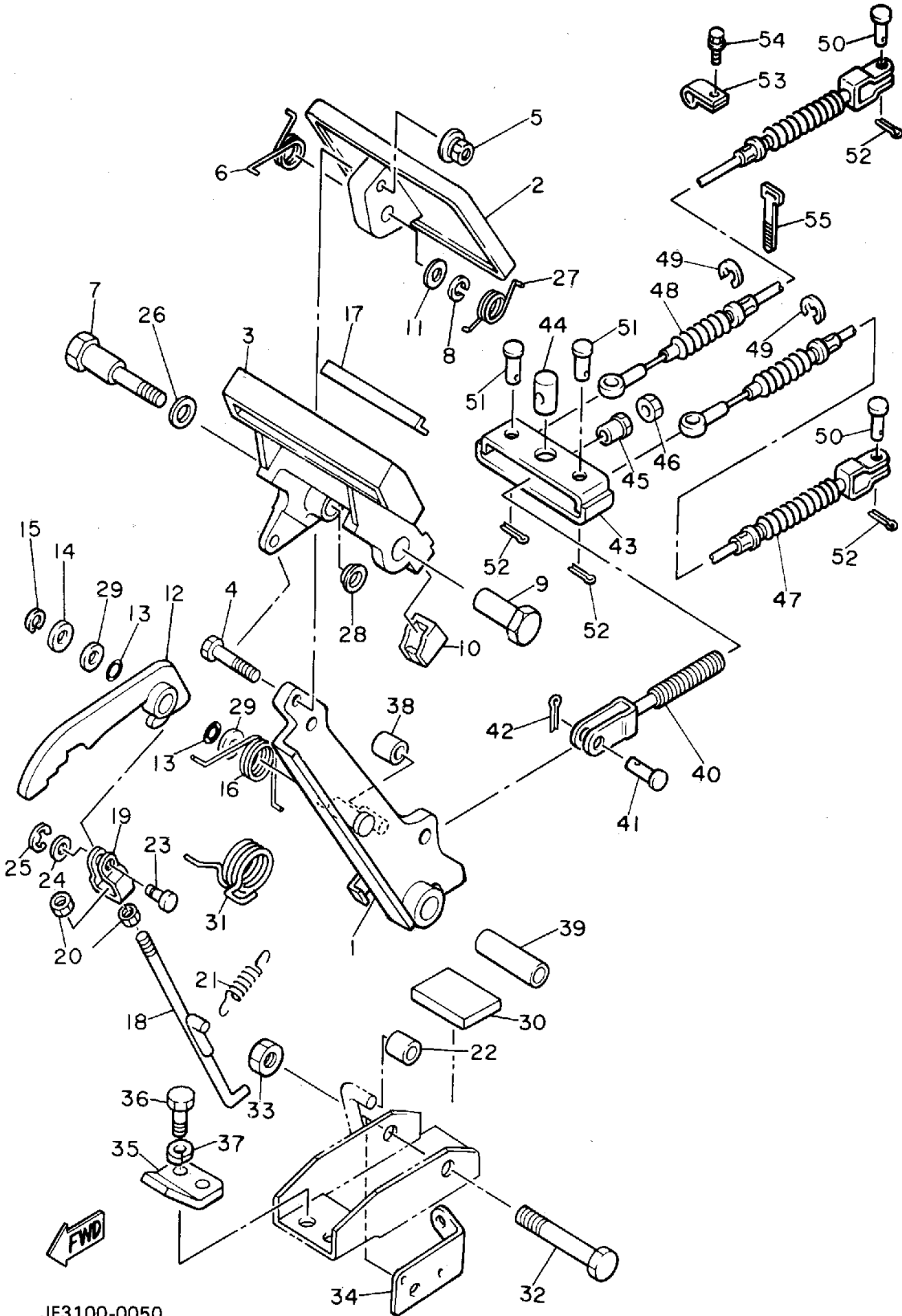
CONTINUED ON NEXT FRAME ►

STEERING



Ref. No.	Part Number	Description	Qty	Remarks
28	JF2-F3850-00-00	TIE ROD ASSEMBLY	1	YPAD
29	J38-23841-01-00	. JOINT, UNIVERSAL 1	1	
30	J38-23845-01-00	. JOINT, UNIVERSAL 2	1	
31	90170-12055-00	. NUT	1	
32	90170-12054-00	. NUT	1	
33	95601-10100-00	NUT, U (95602-10100-00)	4	
34	91401-25020-00	PIN, COTTER	4	
	G8E-PARTS-BO-AR	ASSEMBLY, HARDWARE	8	OPTIONAL PART
23-1	J38-23831-02-00	. ROD, TIE	1	
28-1	J38-23837-02-00	. ROD, TIE 2	1	

BRAKE

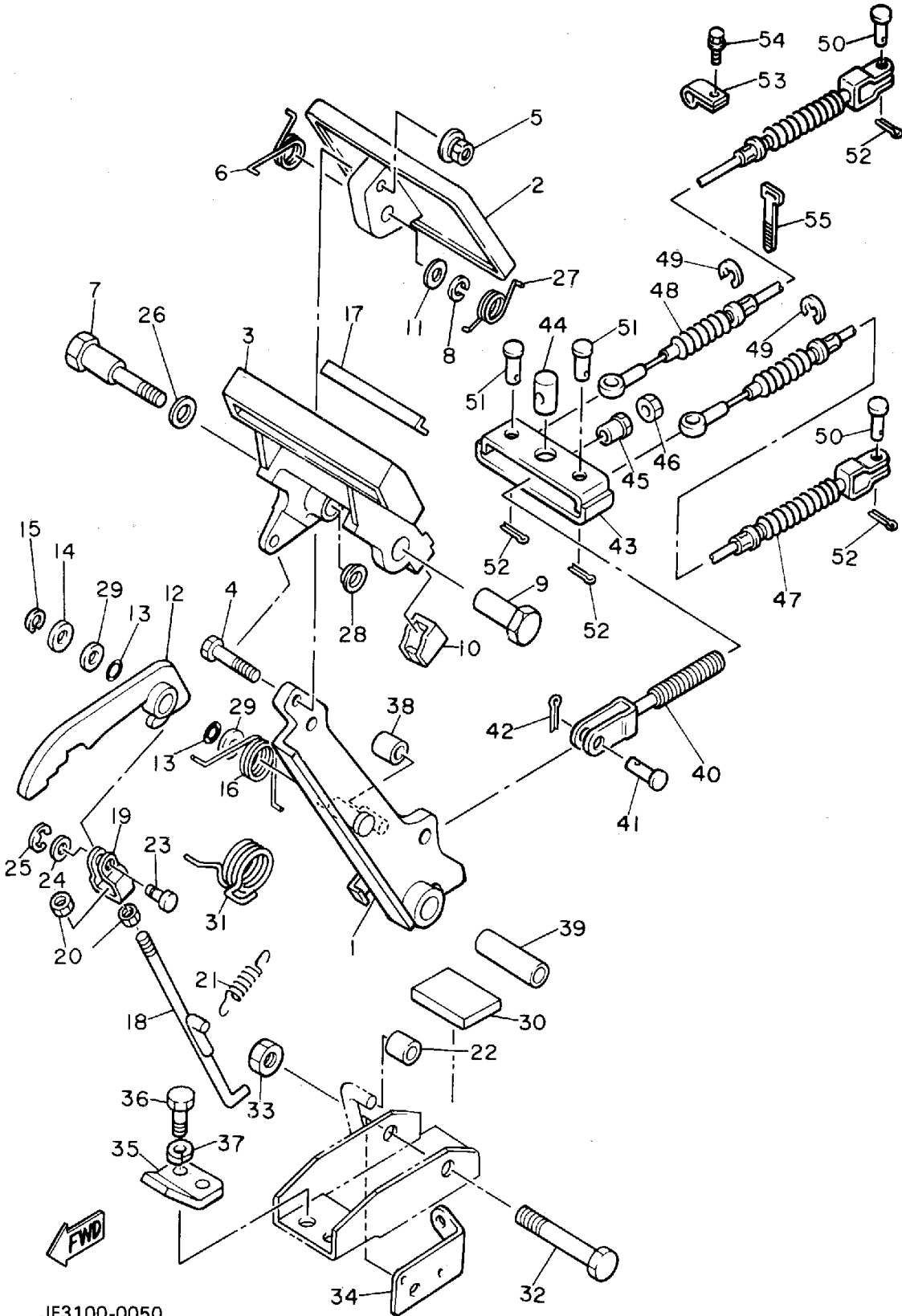


JF3100-0050

Ref. No.	Part Number	Description	Qty	Remarks
1	J46-27250-02-00	BRAKE ARM COMP.	1	
2	J10-27211-00-00	PEDAL, BRAKE	1	
3	J17-25670-01-00	PARKING PEDAL COMP.	1	
4	90101-06555-00	BOLT, HEX.	1	
5	90179-07564-00	NUT	1	
6	90508-23542-00	SPRING, TORSION	1	
7	90109-08669-00	BOLT	1	
8	92902-08100-00	WASHER, SPRING	1	
9	90179-08378-00	NUT	1	
10	J17-25679-01-00	DAMPER	2	
11	92990-08200-00	WASHER, PLAIN	1	
12	J17-W2561-00-00	SECTOR, PARKING BRAKE ..	1	
13	J17-27221-00-00	SEAL, SHAFT	2	
14	92990-10600-00	WASHER, PLATE	1	
15	99080-07600-00	CIRCLIP (E)	1	
16	90508-14548-00	SPRING, TORSION	1	
17	J17-25672-01-00	PAD, PARKING	1	
18	J17-27231-02-00	ROD, BRAKE	1	
19	J17-27232-00-00	END, ROD	1	
20	95380-06700-00	NUT	2	
21	90506-12277-00	SPRING, TENSION	1	
22	J17-25673-00-00	DAMPER, BRAKE	1	
23	J17-27228-00-00	PIN, LINK JOINT	1	
24	92901-05600-00	WASHER, PLATE	1	
25	99080-04600-00	CIRCLIP (E)	1	
26	90201-123F2-00	WASHER, PLAIN	1	
27	90508-26557-00	SPRING, TORSION	1	
28	90380-12105-00	BUSH, SOLID	1	
29	90201-104G8-00	WASHER, PLAIN	2	

CONTINUED ON NEXT FRAME ➤

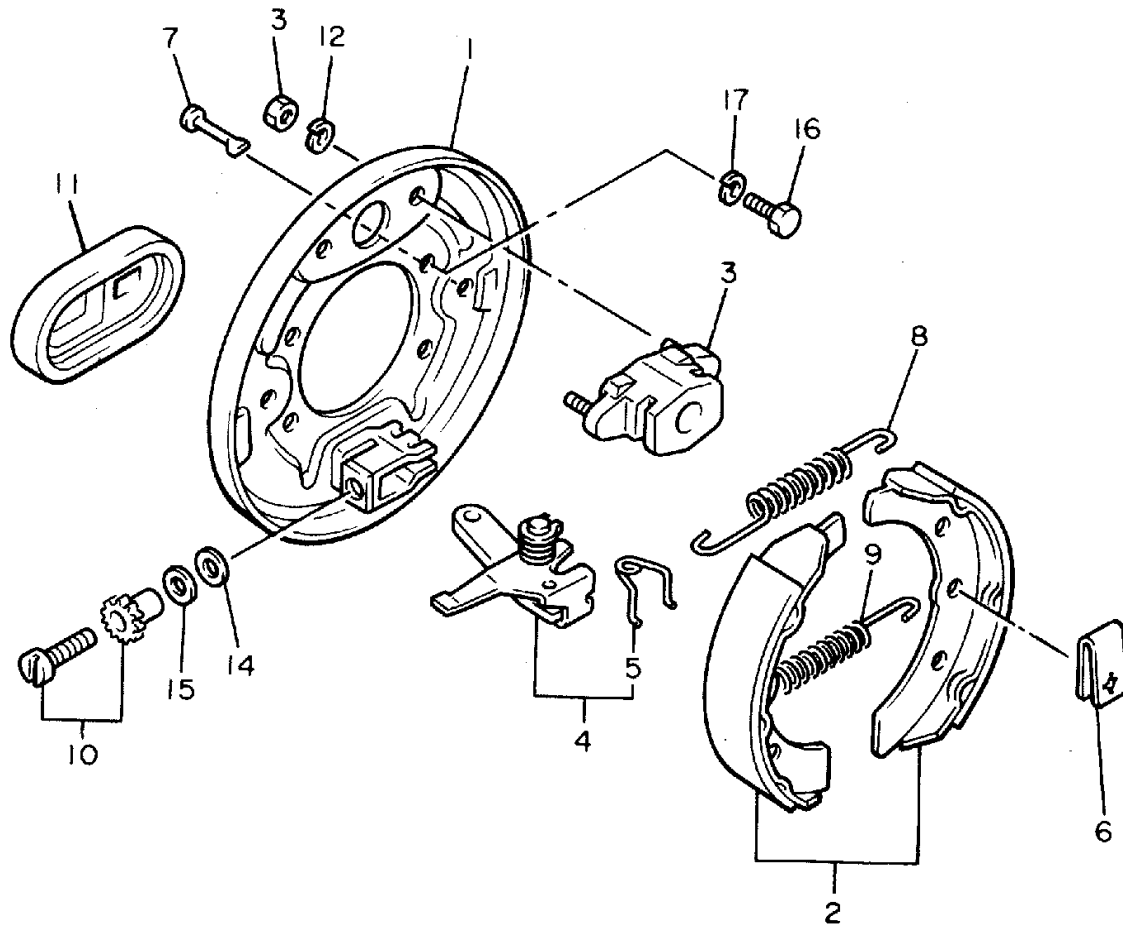
BRAKE



Ref. No.	Part Number	Description	Qty	Remarks
30	J17-27245-00-00	PAD, BRAKE PEDAL	1	
31	90508-405A9-00	SPRING, TORSION	1	
32	90101-10447-00	BOLT, HEX.	1	
33	95601-10100-00	NUT, U (95602-10100-00)	1	
34	J55-2252M-00-00	BRACKET,	1	
35	J17-27246-00-00	NAIL, BRAKE	1	
36	97313-08020-00	BOLT, HEXAGON	2	
37	92902-08100-00	WASHER, SPRING	2	
38	J17-25673-00-00	DAMPER, BRAKE	1	
39	90387-107F8-00	COLLAR	1	
40	JF2-25685-00-00	ROD	1	
41	91701-10022-00	PIN	1	
42	91490-30020-00	PIN, COTTER	1	
43	JF2-25681-00-00	EQUALIZER, BRAKE	1	
44	90249-14129-00	PIN	1	
45	90179-08261-00	NUT	1	
46	95303-08700-00	NUT	1	
47	JF2-F6341-00-00	CABLE, BRAKE	1	
48	JF2-F6351-00-00	CABLE, BRAKE	1	
49	99001-09600-00	CIRCLIP	4	
50	91701-08018-00	PIN	2	
51	91701-08026-00	PIN	2	
52	91490-25020-00	PIN, COTTER	4	
53	90461-12117-00	CLAMP	2	
54	95811-06012-00	BOLT, FLANGE	2	
55	JF2-82591-00-00	BAND	1	

JF3100-0050

BRAKE 2

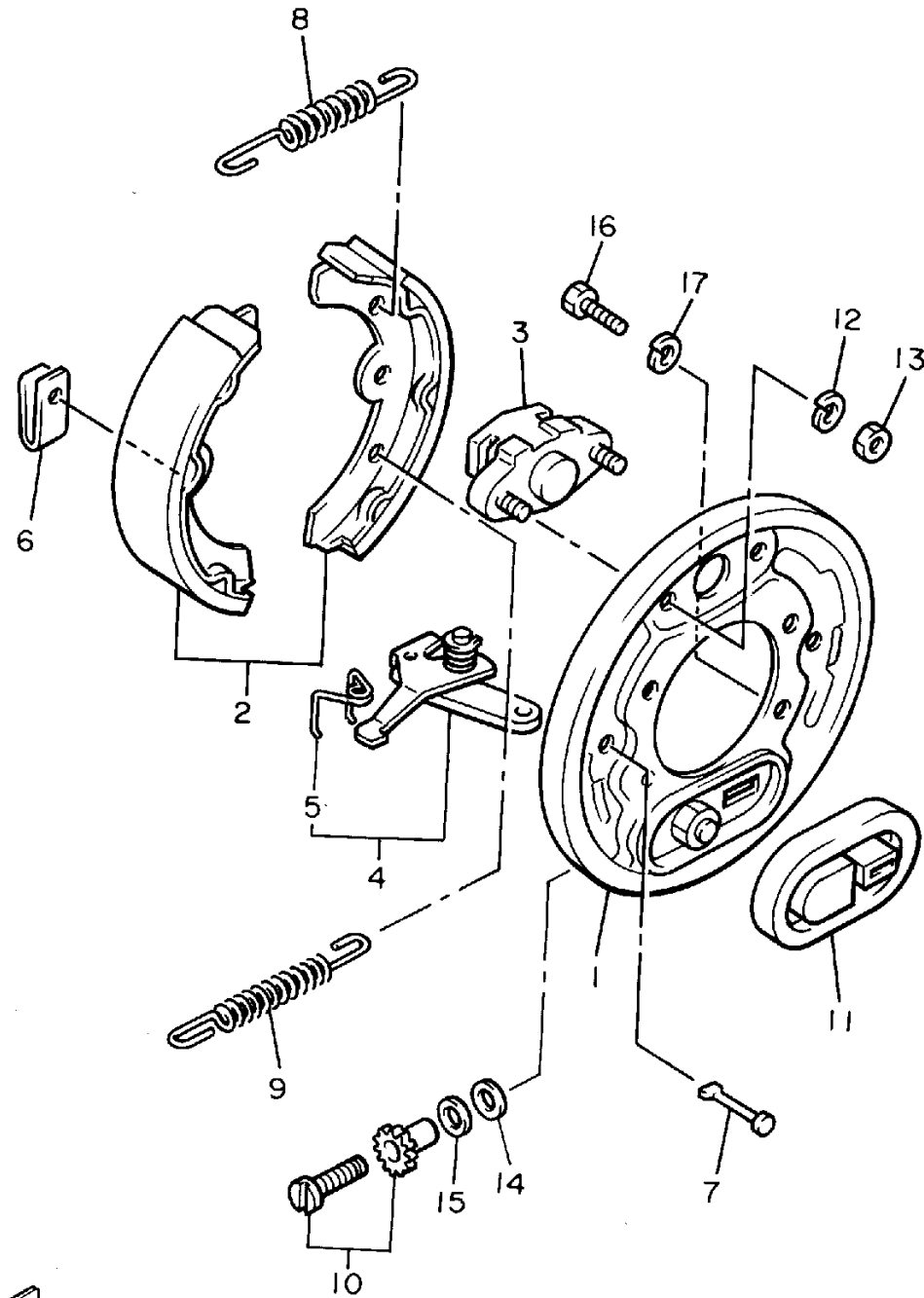


Ref. No.	Part Number	Description	Qty	Remarks
1	J17-27209-00-00	BACKING PLATE SUB ASSEMBLY 2 (L.H)	1	
2	J55-W2536-00-00	BRAKE SHOE SET	1	
3	J17-27206-00-00	ANCHOR BODY COMP.	1	
4	J38-27205-00-00	LEVER ASSEMBLY 2	1	
5	J55-25357-00-00	. SPRING, LEVER	1	
6	J10-27281-00-00	SPRING, SHOE CLAMP	2	
7	J10-27282-00-00	PIN, SHOE HOLD DOWN	2	
8	90506-20281-00	SPRING, TENSION	1	
9	90506-26191-00	SPRING, TENSION	1	
10	J55-27260-00-00	ADJUSTER ASSEMBLY	1	
11	J10-27286-00-00	COVER, DUST	1	
12	92995-06100-00	WASHER, SPRING	2	
13	95601-06200-00	NUT, U FLANGE	2	
14	90201-121H8-00	WASHER, PLATE	1	
15	90201-121H9-00	WASHER, PLATE	2	
16	97011-08016-00	BOLT	4	
17	92902-08100-00	WASHER, SPRING	4	



JG5100-1160

BRAKE 3

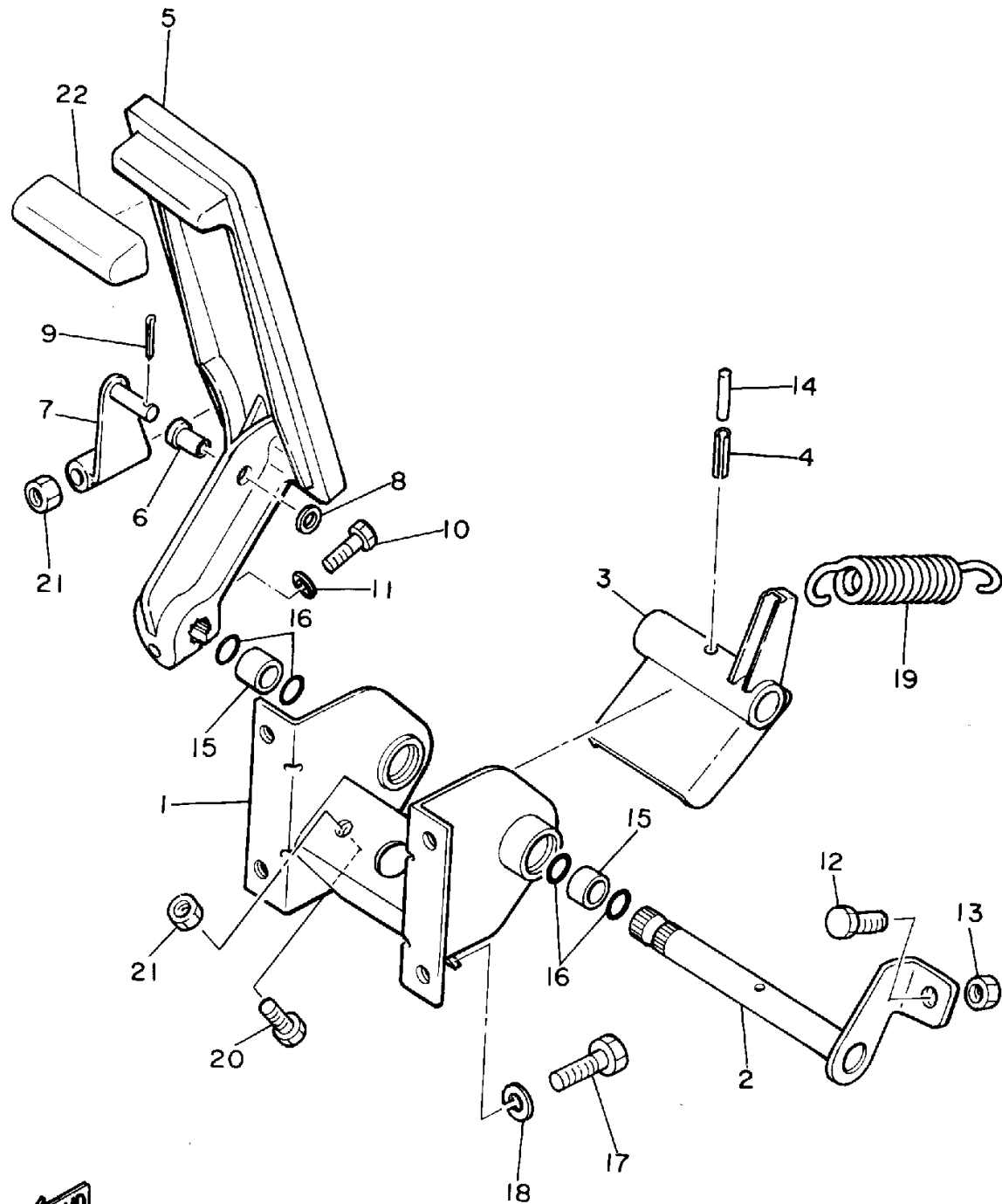


Ref. No.	Part Number	Description	Qty	Remarks
1	J17-27208-00-00	BACKING PLATE SUB ASSEMBLY 1 (R.H)	1	
2	J55-W2536-00-00	BRAKE SHOE SET	1	
3	J17-27206-00-00	ANCHOR BODY COMP.	1	
4	J38-27204-00-00	LEVER ASSEMBLY 1	1	
5	J55-25358-00-00	. SPRING LEVER	1	
6	J10-27281-00-00	SPRING, SHOE CLAMP	2	
7	J10-27282-00-00	PIN, SHOE HOLD DOWN	2	
8	90506-20281-00	SPRING, TENSION	1	
9	90506-26191-00	SPRING, TENSION	1	
10	J55-27270-00-00	ADJUSTER ASSEMBLY	1	
11	J10-27286-00-00	COVER, DUST	1	
12	92995-06100-00	WASHER, SPRING	2	
13	95601-06200-00	NUT, U FLANGE	2	
14	90201-121H8-00	WASHER, PLATE	1	
15	90201-121H9-00	WASHER, PLATE	1	
16	97011-08016-00	BOLT	4	
17	92902-08100-00	WASHER, SPRING	4	



JG5100-1170

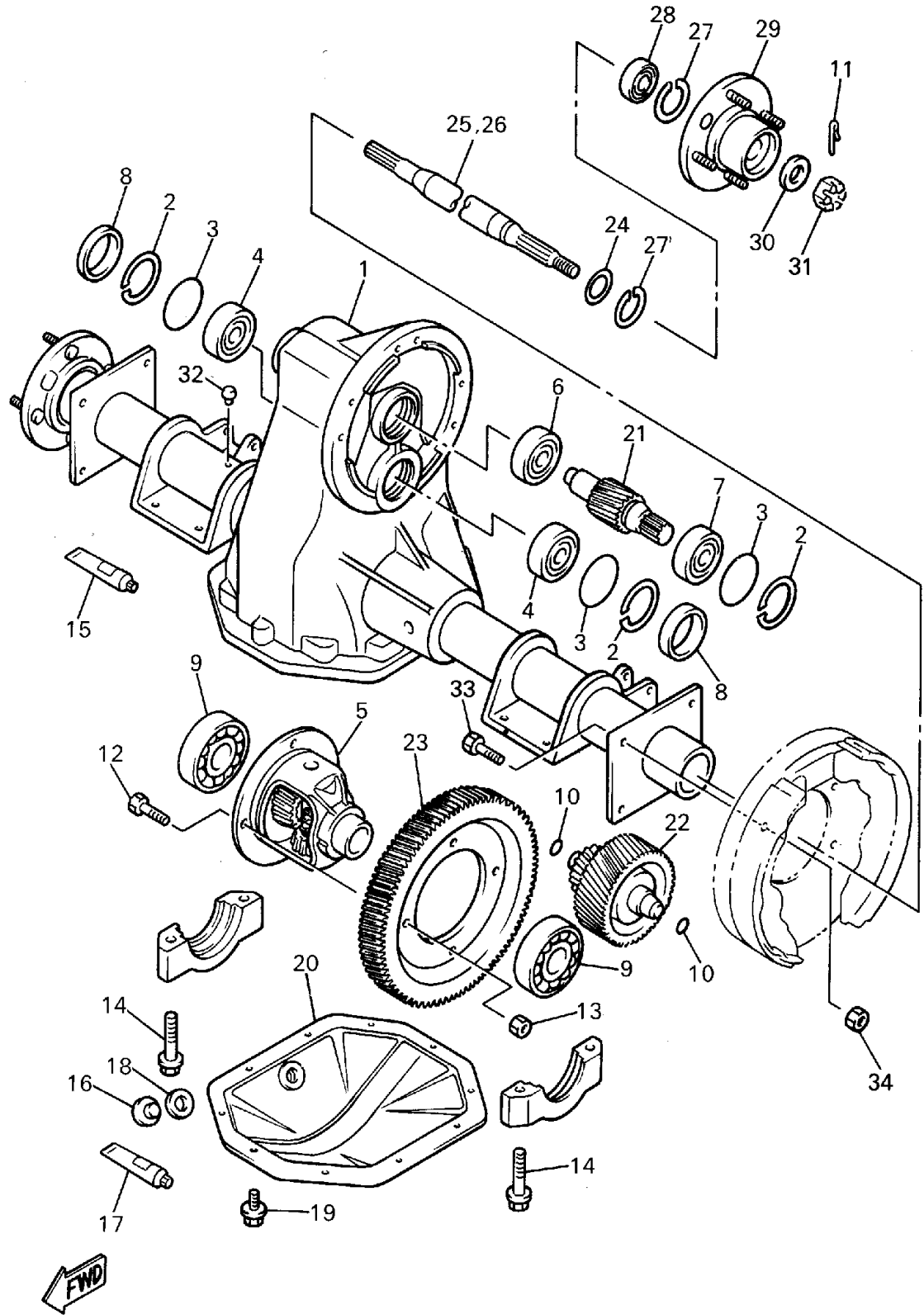
ACCELERATOR



Ref. No.	Part Number	Description	Qty	Remarks
1	J41-27874-00-00	BRACKET, ACCELERATOR		
		PEDAL	1	
2	J17-27853-00-00	SHAFT, PEDAL 1	1	
3	J22-27872-00-00	ARM, ACCELERATOR	1	
4	91609-60028-00	PIN, SPRING	1	
5	JF3-27871-00-00	PEDAL, ACCELERATOR	1	
6	90381-06033-00	BUSH, SOLID	1	
7	J14-27815-00-00	LEVER, CRANK	1	
8	92990-06600-00	WASHER, PLATE	1	
9	91490-20020-00	PIN, COTTER	1	
10	97011-06025-00	BOLT (97001-06025)	1	
11	92995-06100-00	WASHER, SPRING	1	
12	90106-08040-00	BOLT, RD. HEX	1	
13	95303-08700-00	NUT	1	
14	91609-35028-00	PIN, SPRING	1	
15	90384-14080-00	BUSH, BIMETAL	2	
16	93210-14104-00	O-RING	4	
17	97011-06016-00	BOLT	4	
18	92995-06100-00	WASHER, SPRING	4	
19	90506-26282-00	SPRING, TENSION	1	
20	97011-06025-00	BOLT (97001-06025)	1	
21	95380-06700-00	NUT	1	
22	JF2-27854-00-00	COVER, PEDAL	1	

JH7100-3080

TRANSAXLE ASSEMBLY

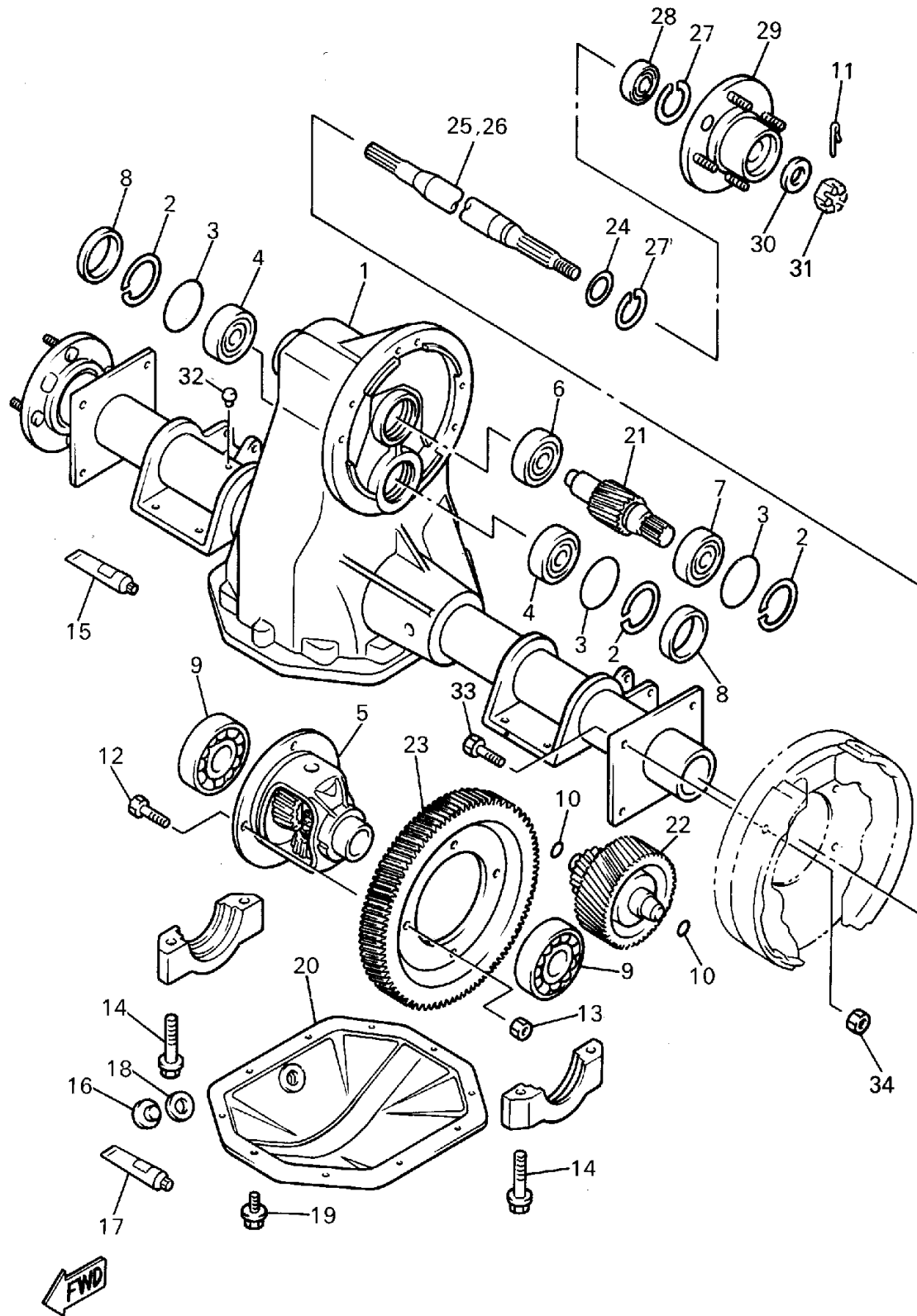


Ref. No.	Part Number	Description	Qty	Remarks
1	JF3-G6310-00-00	CASE ASSEMBLY	1	YPAD SEE NOTE
2	93420-50804-00	CIRCLIP	3	YPAD SEE NOTE
3	93210-478B8-00	RING	3	YPAD SEE NOTE
4	93306-303Y6-00	BEARING	2	YPAD SEE NOTE
5	JH7-G6410-00-00	DIFFERENTIAL ASSEMBLY	1	YPAD SEE NOTE
6	93306-203X1-00	BEARING	1	YPAD SEE NOTE
7	93306-005Y1-00	BEARING	1	YPAD SEE NOTE
8	JH7-G3396-00-00	PLUG, BLIND	2	YPAD SEE NOTE
9	93306-007Y0-00	BEARING	2	YPAD SEE NOTE
10	93210-148B9-00	O-RING	2	YPAD SEE NOTE
11	91490-25030-00	PIN, COTTER	2	YPAD SEE NOTE
12	90101-10854-00	BOLT, HEX.	4	YPAD SEE NOTE
13	90170-10840-00	NUT, HEX.	4	YPAD SEE NOTE
14	90105-10840-00	BOLT, FLANGE	4	YPAD SEE NOTE
15	ACC-11001-31-00	SEALANT 2 (JH7-G6137-00-00)	1	YPAD SEE NOTE
16	JH7-G5341-00-00	PLUG, DRAIN	1	YPAD SEE NOTE
17	ACC-11001-05-01	SEALANT 1 (JH7-G6136-00-00)	1	YPAD SEE NOTE
18	90201-158E0-00	WASHER, PLATE	1	YPAD SEE NOTE
19	90101-08856-00	BOLT, HEX.	10	YPAD SEE NOTE
20	JH7-G6312-00-00	CASE, TRANSMISSION 2	1	YPAD SEE NOTE
21	JH7-G6321-00-00	SHAFT, INPUT	1	YPAD SEE NOTE
22	JH7-G6350-00-00	COUNTER GEAR	1	YPAD SEE NOTE
23	JH7-G6421-00-00	GEAR, RING	1	YPAD SEE NOTE
24	93101-24822-00	SEAL, OIL	2	YPAD SEE NOTE
25	JF3-G6512-00-00	SHAFT, REAR AXLE 2 (RH)	1	YPAD SEE NOTE
26	JF3-G6511-00-00	SHAFT, REAR AXLE 1 (L.H)	1	YPAD SEE NOTE
27	93420-44805-00	CIRCLIP	4	YPAD SEE NOTE
28	93306-004X5-00	BEARING	2	YPAD SEE NOTE
29	JH7-G6514-00-00	HUB, REAR AXLE	2	YPAD SEE NOTE

CONTINUED ON NEXT FRAME ➤

JH7110-3220

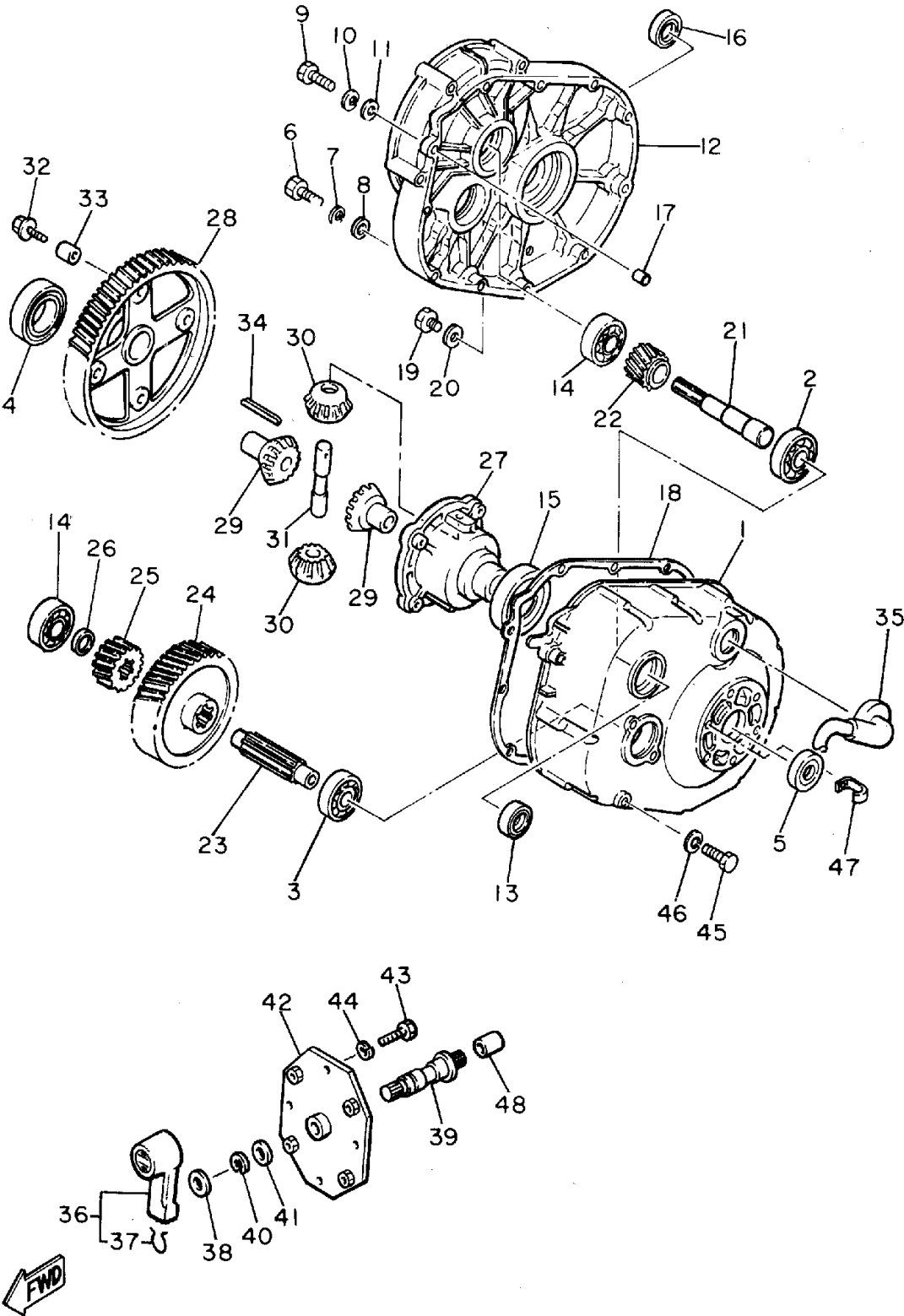
TRANSAXLE ASSEMBLY



Ref. No.	Part Number	Description	Qty	Remarks
30	90201-198E1-00	WASHER	2	YPAD SEE NOTE
31	90171-16813-00	NUT	2	YPAD SEE NOTE
32	JH7-G5619-00-00	CAP	1	YPAD SEE NOTE
33	90101-08855-00	BOLT, HEX.	8	YPAD SEE NOTE
34	90170-08841-00	NUT, HEX.	8	YPAD SEE NOTE

JH7110-3220

TRANSMISSION 1

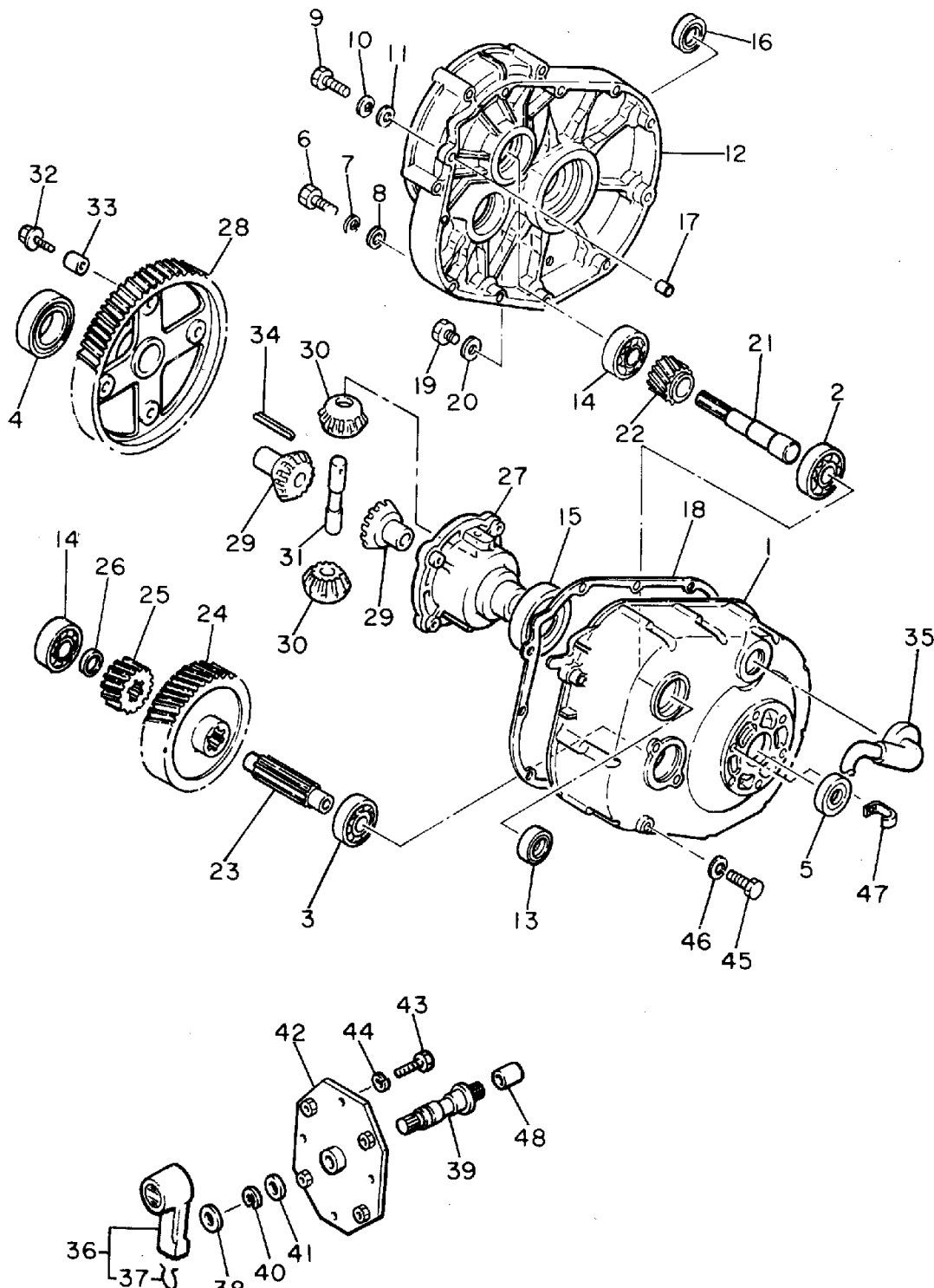


Ref. No.	Part Number	Description	Qty	Remarks
1	J14-46311-00-00	CASE, TRANSMISSION 1	1	SEE NOTE
2	93306-20541-00	BEARING (B6205)	1	SEE NOTE
3	93306-20421-00	BEARING	1	SEE NOTE
4	93306-00804-00	BEARING	1	SEE NOTE
5	93102-22189-00	OIL SEAL	1	SEE NOTE
6	97021-08035-00	BOLT	9	SEE NOTE
7	92990-08100-00	WASHER	9	SEE NOTE
8	92901-08600-00	WASHER	9	SEE NOTE
9	97021-08045-00	BOLT	2	SEE NOTE
10	92990-08100-00	WASHER	2	SEE NOTE
11	92901-08600-00	WASHER	2	SEE NOTE
12	J14-46312-02-00	CASE, TRANSMISSION 2	1	SEE NOTE
13	93102-20143-00	OIL SEAL	1	SEE NOTE
14	93306-20421-00	BEARING	2	SEE NOTE
15	93306-00804-00	BEARING	1	SEE NOTE
16	93102-22189-00	OIL SEAL	1	SEE NOTE
17	99510-12016-00	PIN, DOWEL	2	SEE NOTE
18	J10-46319-01-00	GASKET	1	SEE NOTE
19	90340-14036-00	PLUG, STRAIGHT SCRW	2	SEE NOTE
20	90430-14043-00	GASKET	2	SEE NOTE
21	J14-46321-01-00	SHAFT, INPUT	1	SEE NOTE
22	J56-46331-00-00	GEAR, INPUT 1	1	SEE NOTE
23	J10-46351-00-00	SHAFT, COUNTER	1	SEE NOTE
24	J56-46361-00-00	GEAR, COUNTER 1	1	SEE NOTE
25	J17-46362-00-00	GEAR, COUNTER 2	1	SEE NOTE
26	90201-20272-00	WASHER, PLATE	1	SEE NOTE
27	J38-46411-01-00	CASE, DIFFERENTIAL	1	SEE NOTE
28	J41-46421-00-00	GEAR, RING	1	SEE NOTE
29	J38-46414-00-00	GEAR, DIFFERENTIAL SIDE	2	SEE NOTE

CONTINUED ON NEXT FRAME ➤

JF3100-0080

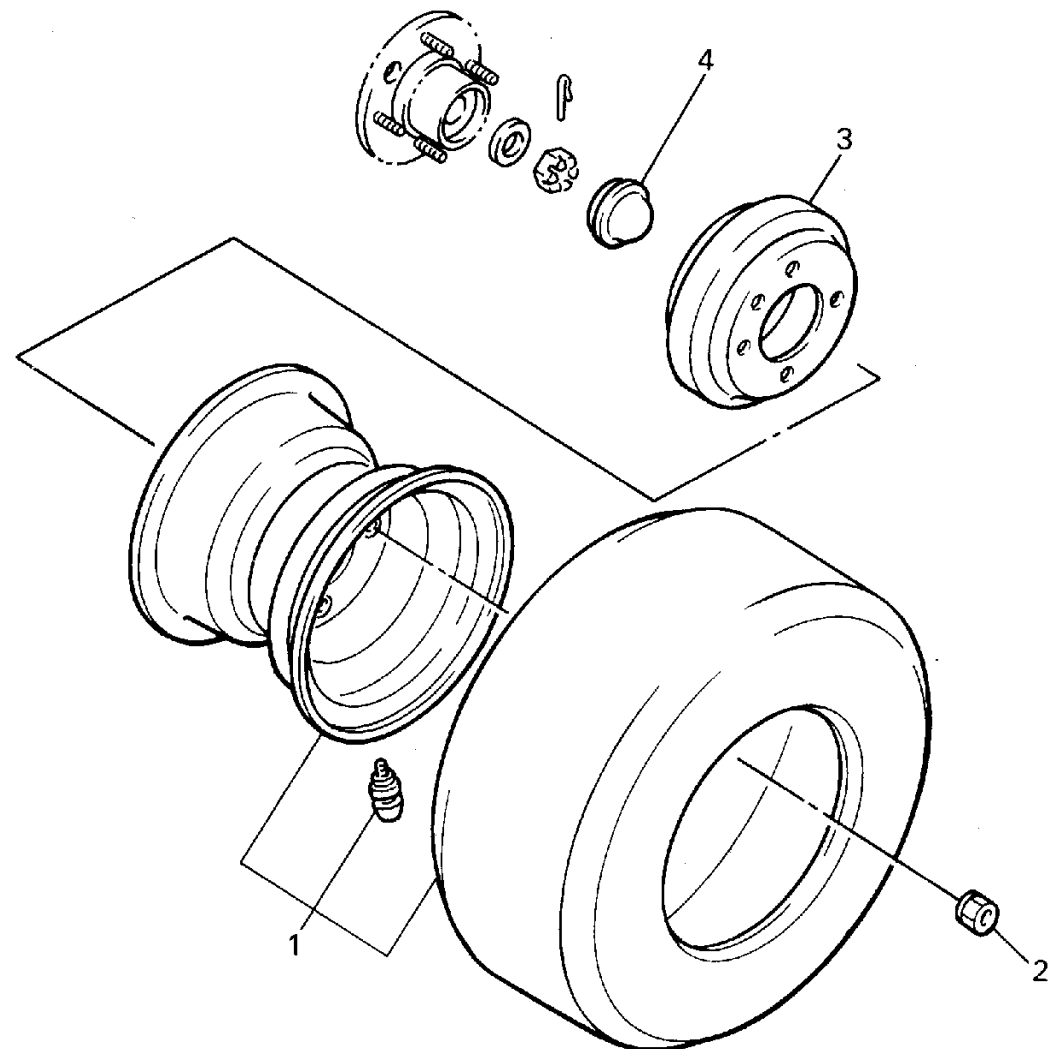
TRANSMISSION 1



Ref. No.	Part Number	Description	Qty	Remarks
30	J38-46415-00-00	PINION, DIFFERENTIAL	2	SEE NOTE
31	J38-46417-02-00	PIN, DIFFERENTIAL	1	SEE NOTE
32	90105-08390-00	BOLT, WASHER BASED	4	SEE NOTE
33	91812-16001-00	PIN, DOWEL	2	SEE NOTE
34	91609-40040-00	PIN, SPRING	1	SEE NOTE
35	835-47559-00-00	CAP 2	1	SEE NOTE
36	JF2-46370-00-00	SHIFT ASSEMBLY	1	SEE NOTE
37	JF2-46376-00-00	. SPRING	1	SEE NOTE
38	90201-201L9-00	WASHER, PLAIN	1	SEE NOTE
39	JF3-46392-00-00	BAR 1	1	SEE NOTE
40	99009-19400-00	CIRCLIP	1	SEE NOTE
41	90201-19551-00	WASHER, PLAIN	1	SEE NOTE
42	JF3-46372-00-00	BRACKET, SHIFT WIRE	1	SEE NOTE
43	97011-06016-00	BOLT	4	SEE NOTE
44	92990-06100-00	WASHER, SPRING	4	SEE NOTE
45	97011-10020-00	BOLT	2	SEE NOTE
46	92901-10100-00	WASHER, SPRING	2	SEE NOTE
47	90465-06100-00	CLAMP	1	SEE NOTE
48	J41-46394-00-00	JOINT	1	SEE NOTE

JF3100-0080

REAR WHEEL

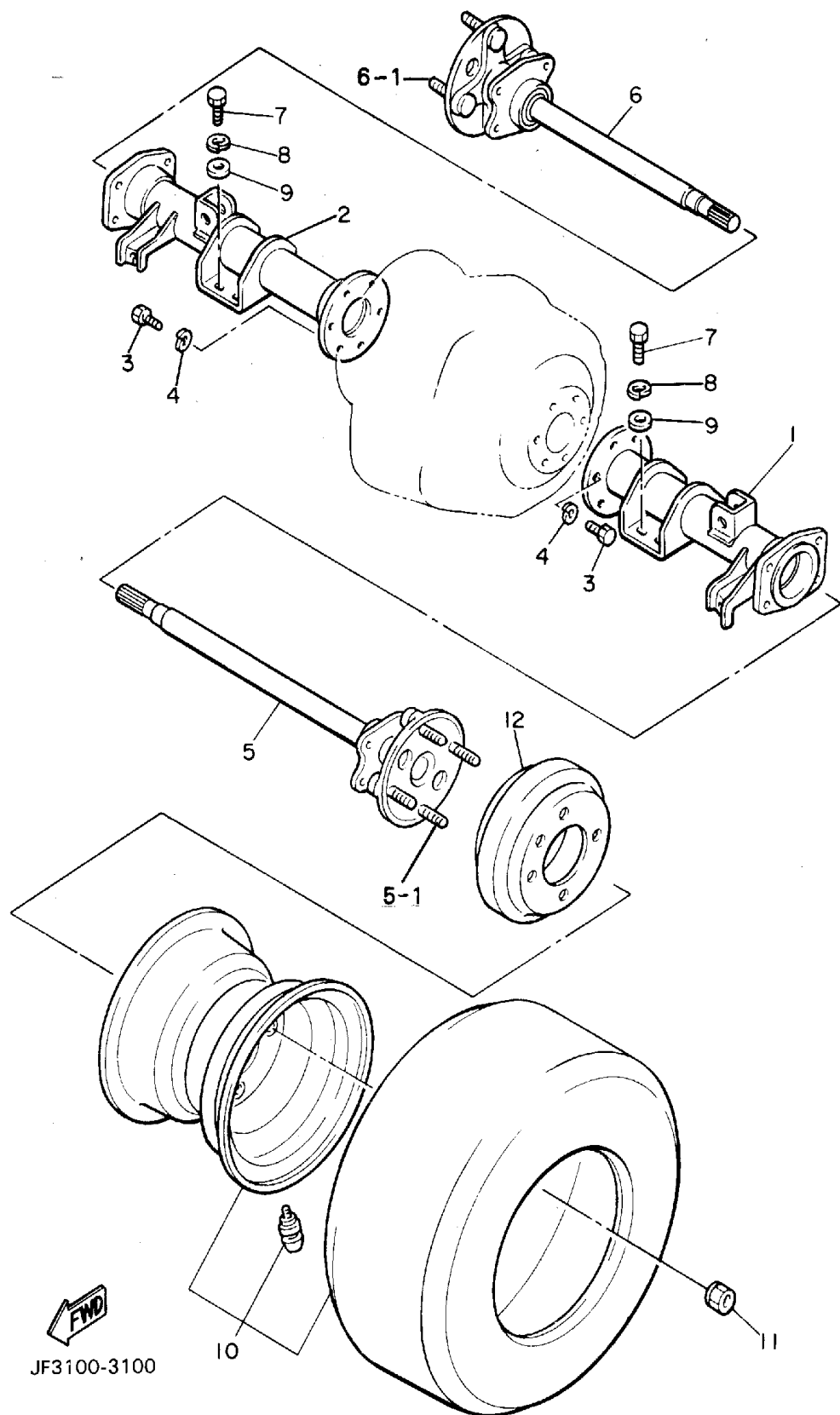


Ref. No.	Part Number	Description	Qty	Remarks
1	JG5-F5100-30-00	FRONT WHEEL ASSEMBLY (JG5-F5100-30-00)	2	LM SEE NOTE
2	90179-12262-00	NUT	8	SEE NOTE
3	J55-G6521-00-00	DRUM	2	J17-46521-00 YPAD SEE NOTE
4	J17-25118-00-00	COVER, HUB DUST	2	SEE NOTE



JF3100-4100

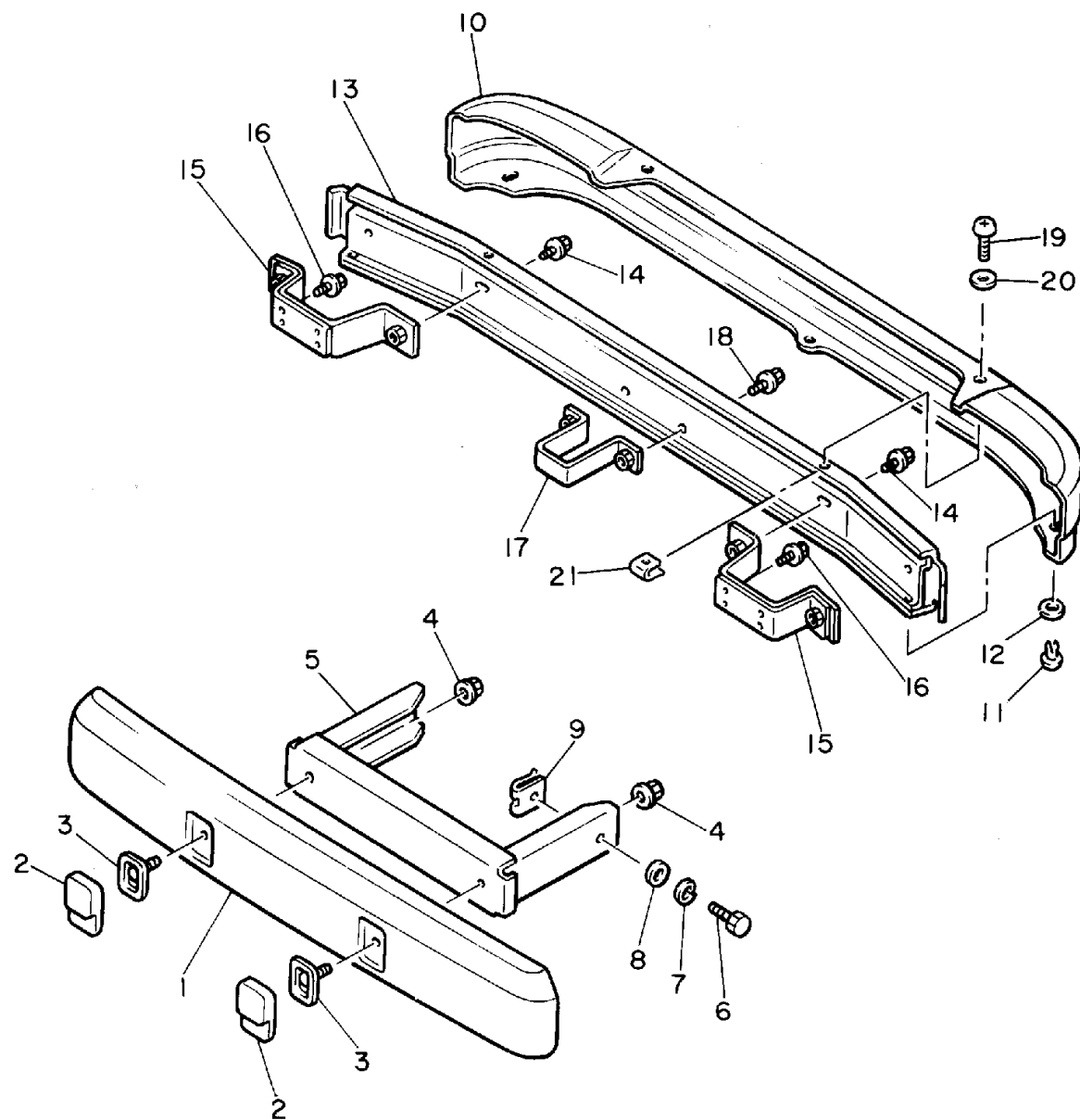
REAR AXLE - WHEEL



Ref. No.	Part Number	Description	Qty	Remarks
1	JF3-46540-10-00	REAR AXLE HOUSING COMP.	1	SEE NOTE
2	JF3-46550-10-00	REAR AXLE HOUSING COMP. 2	2	SEE NOTE
3	97017-08025-00	BOLT	12	SEE NOTE
4	92902-08100-00	WASHER, SPRING	12	SEE NOTE
5	JF3-46510-00-00	REAR AXLE SHAFT COMP. ...	1	SEE NOTE
6	JF3-46520-00-00	REAR AXLE SHAFT COMP. 2	1	SEE NOTE
7	97011-10020-00	BOLT	8	SEE NOTE
8	92901-10100-00	WASHER, SPRING	8	SEE NOTE
9	92990-10600-00	WASHER, PLATE	8	SEE NOTE
10	UNA-VAILA-BL-EI	0 0		
11	90179-12262-00	NUT	8	SEE NOTE
12	J55-G6521-00-00	DRUM	2	SEE NOTE
5-1	90114-12004-00	. BOLT, RIBBED NECK	4	
6-1	90114-12004-00	. BOLT, RIBBED NECK	4	

JF3100-3100

BUMPER

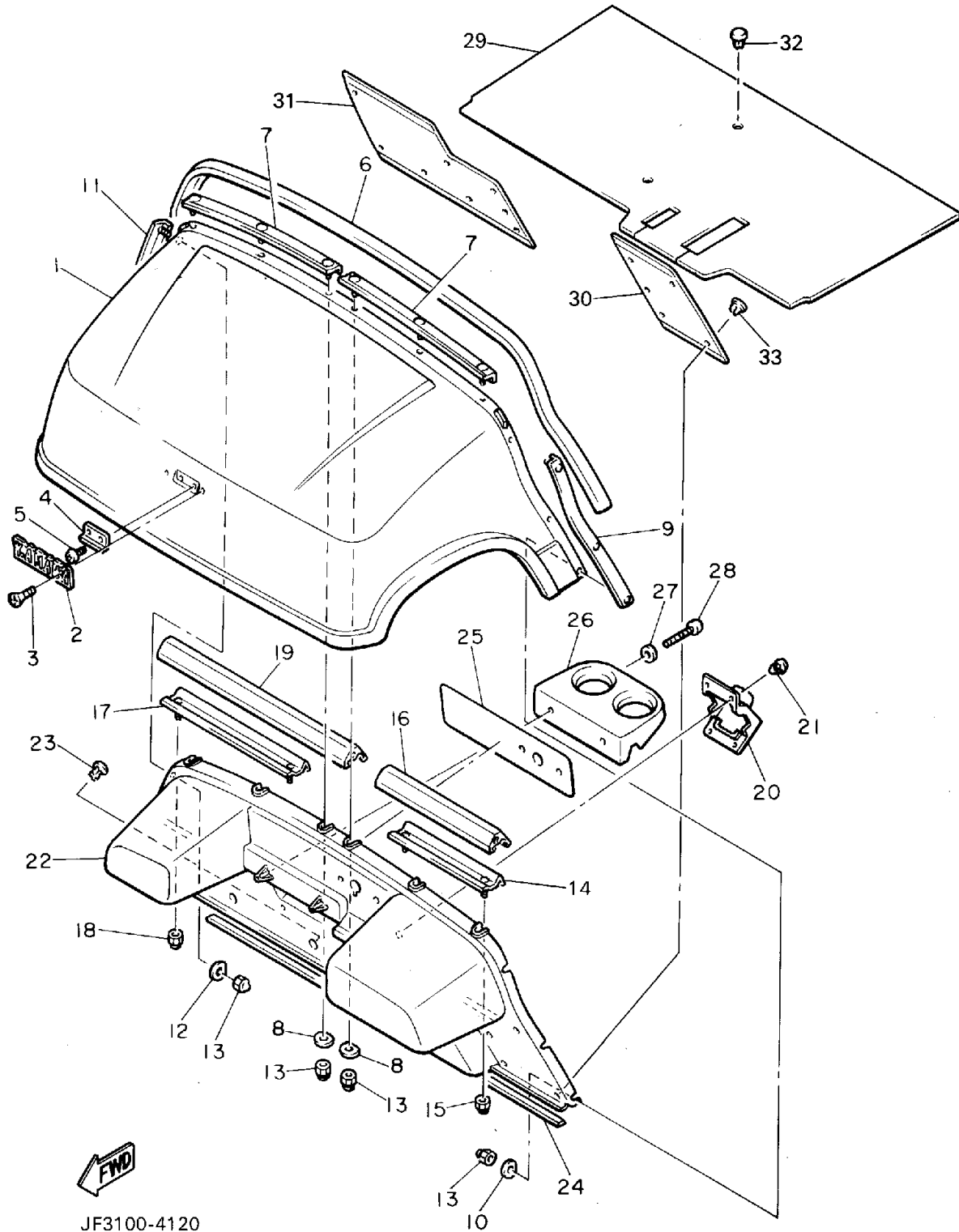


Ref. No.	Part Number	Description	Qty	Remarks
1	JF2-K8163-01-00	COVER, BUMPER	1	YPAD
2	JF2-77517-00-00	CAP	2	
3	JF2-77527-00-00	PLATE, BACK UP	2	
4	95706-08500-00	NUT, flange	2	
5	JF2-K7511-00-00	BUMPER, FRONT 1	1	YPAD
6	97313-08020-00	BOLT, HEXAGON	2	
7	92902-08100-00	WASHER, SPRING	2	
8	92990-08600-00	WASHER, PLATE	2	
9	JF2-77528-00-00	NUT	2	
10	JF2-K817U-00-00	COVER, REAR BUMPER	1	YPAD
11	90267-63047-00	RIVET, BLIND	3	
12	90201-063J2-00	WASHER, PLATE	2	
13	JF2-K8107-00-00	BUMPER SUB-ASSEMBLY, REAR	1	YPAD
14	95816-08016-00	BOLT, FLANGE	4	
15	JF2-K8174-00-00	STAY, REAR BUMPER	2	YPAD
16	95816-08016-00	BOLT, FLANGE	6	
17	JF2-K7521-00-00	STOPPER, 1	1	YPAD
18	95816-08016-00	BOLT, FLANGE	2	
19	97706-50516-00	SCREW, TAPPING	2	
20	90201-05033-00	WASHER, PLATE	2	
21	90183-05042-00	NUT, SPRING	2	
	G8E-PARTS-BO-AR	ASSEMBLY, HARDWARE	8	OPTIONAL PART



JF3100-3110

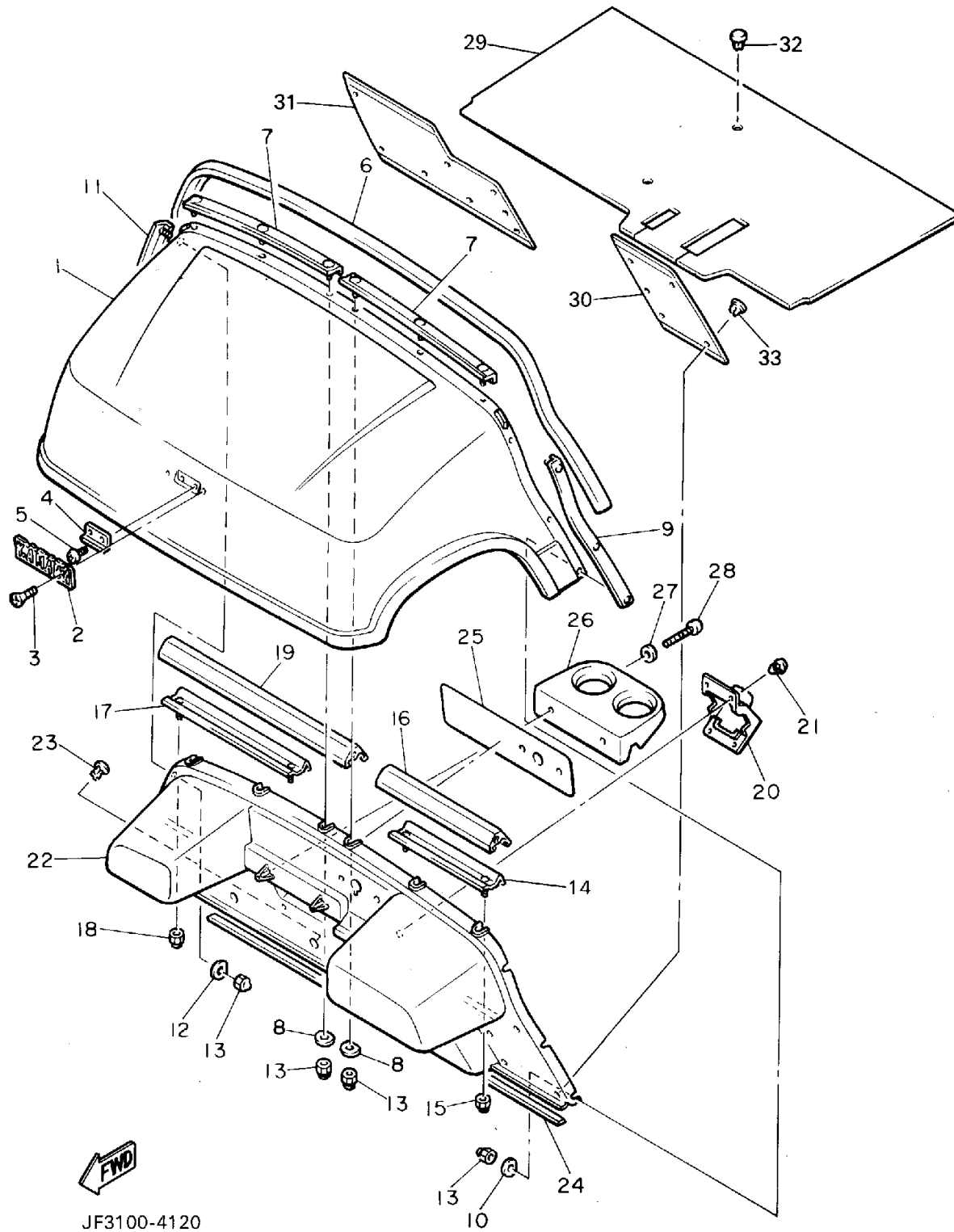
BODY



Ref. No.	Part Number	Description	Qty	Remarks
1	JF2-K8115-00-00	COWL, FRONT	1	YPAD
2	J38-24161-00-00	EMBLEM 1	1	
3	90162-04002-00	SCREW, OVAL C	2	
4	JF2-K811G-00-00	BOLT, COWL FITTING	1	YPAD
5	98980-06016-00	SCREW, BINDING	2	
6	JF2-K811V-00-00	PROTECTOR,	1	
7	JF2-K8261-00-00	PLATE, BODY PROTECTOR ..	2	YPAD
8	JF2-78117-00-00	PLATE 1	6	
9	JF2-K8262-00-00	PLATE, BODY PROTECTOR ..	1	YPAD
10	JF2-78117-00-00	PLATE 1	3	
11	JF2-K8263-00-00	PLATE, BODY PROTECTOR ..	1	YPAD
12	JF2-78117-00-00	PLATE 1	3	
13	90176-06069-00	NUT, CROWN	12	
14	JF2-K8264-00-00	PLATE, BODY PROTECTOR ..	1	YPAD
15	95601-06100-00	NUT, U	2	
16	JF2-K811W-00-00	PROTECTOR 2	1	YPAD
17	JF2-K8265-00-00	PLATE, BODY PROTECTOR 5 .	1	YPAD
18	95601-06100-00	NUT, U	2	
19	JF2-K811X-00-00	PROTECTOR 3	1	YPAD
20	JF2-78273-00-00	COVER, HOLE	1	
21	90269-11042-00	RIVET	4	
22	JF2-K8114-01-00	PANEL, FRONT	1	YPAD
23	90269-08069-00	RIVET	1	
24	JF2-7815G-00-00	SEAL, FRONT STORAGE	1	
25	JF3-K7768-10-00	LABEL, WARNING	1	
26	JF2-K835E-00-00	HOLDER, BEVERAGE	1	YPAD
27	90201-060A3-00	WASHER, PLATE	2	
28	97702-60130-00	SCREW, TAPPING	2	
29	JF2-K8233-10-00	MAT, MAIN FLOOR 3	1	YPAD

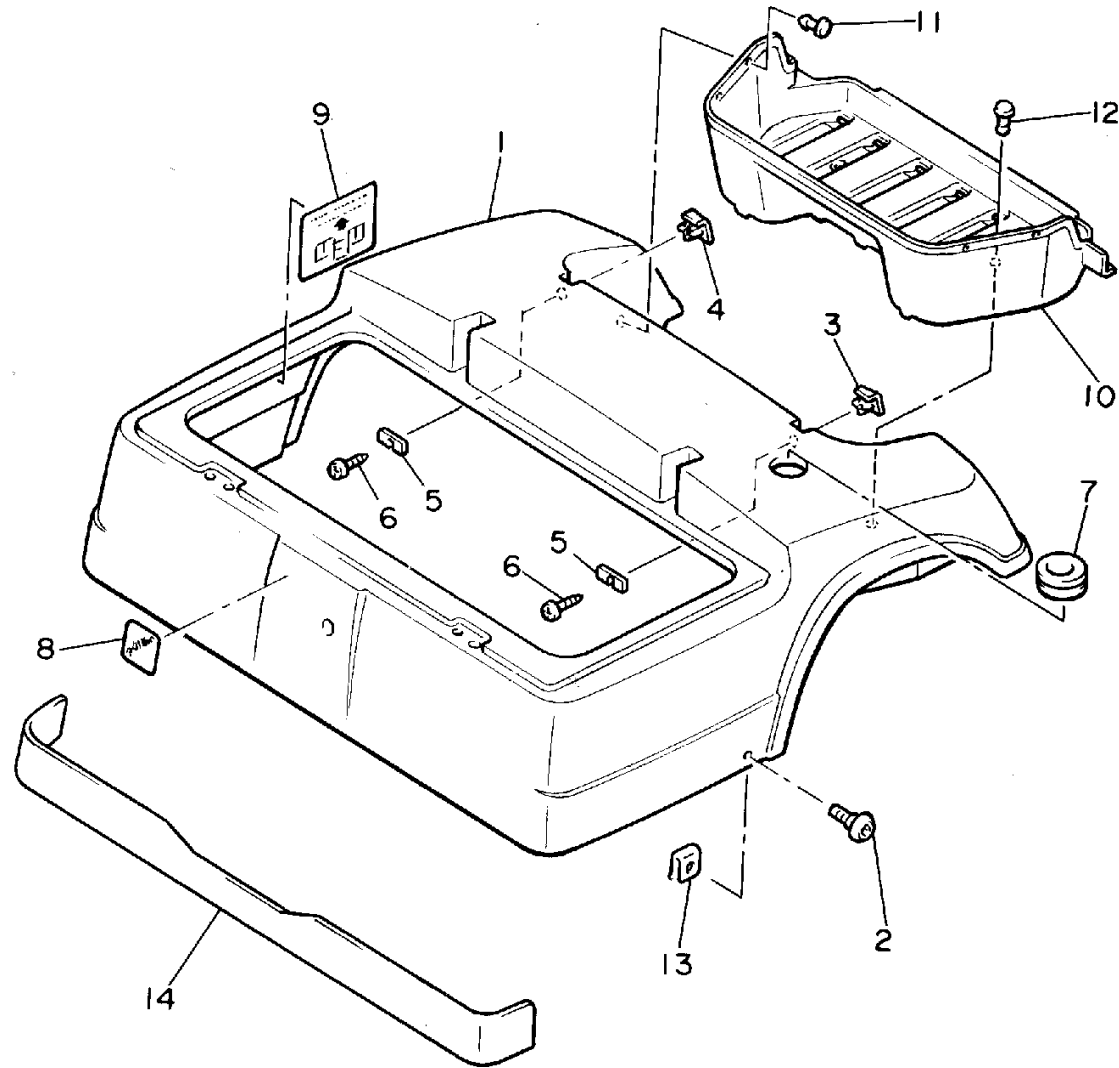
CONTINUED ON NEXT FRAME ➤

BODY



Ref. No.	Part Number	Description	Qty	Remarks
30	JF2-K8231-10-00	MAT, MAIN FLOOR 1	1	YPAD
31	JF2-K8232-10-00	MAT, MAIN FLOOR 2	1	YPAD
32	90269-07809-00	RIVET	2	YPAD
33	90267-63047-00	RIVET, BLIND	13	
	PNT-90000-K0-91	PAINT	8	OPTIONAL PART

BODY 2

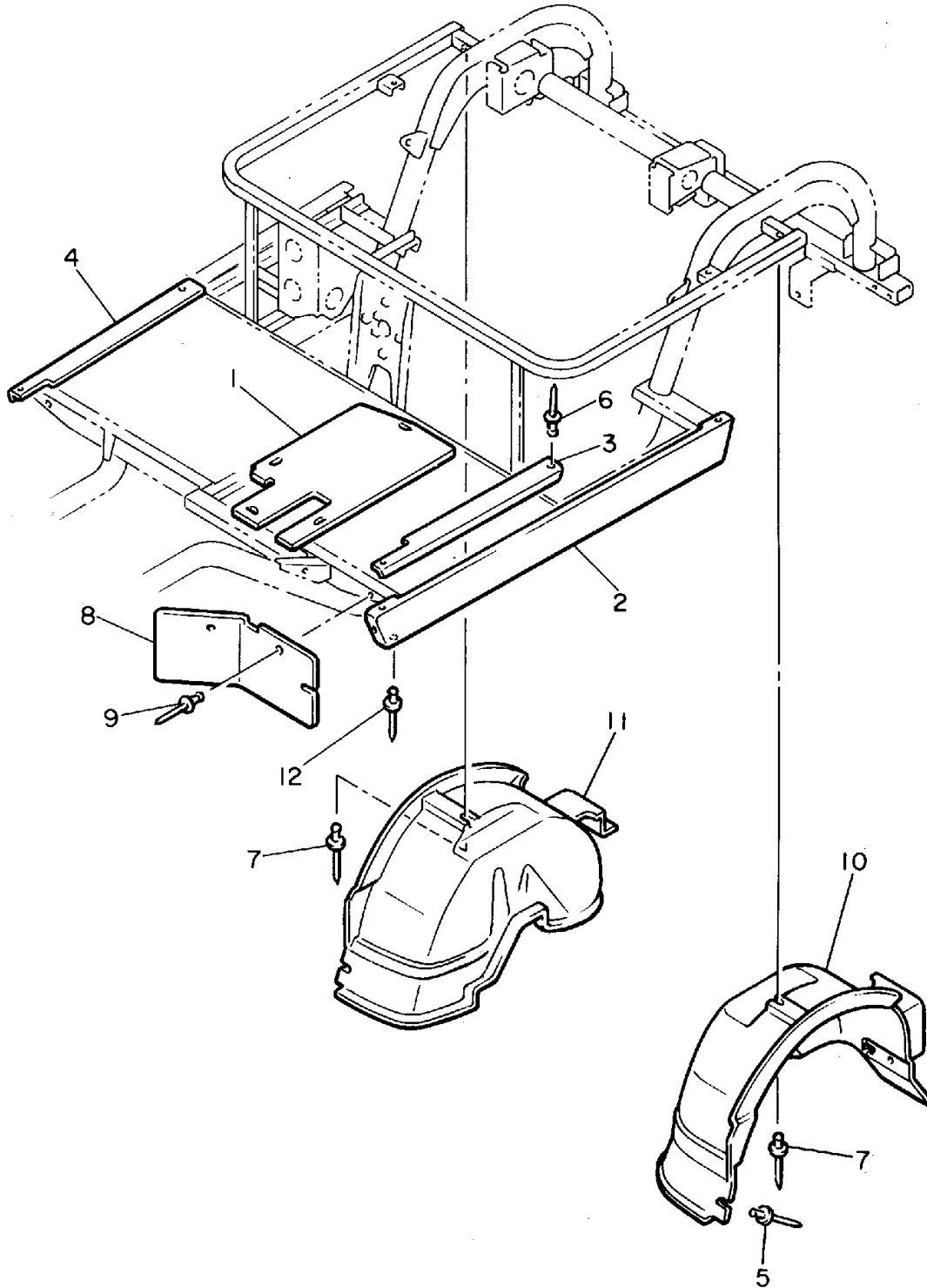


Ref. No.	Part Number	Description	Qty	Remarks
1	JF3-K8142-00-00	PANEL, REAR BODY	1	YPAD
2	90110-06078-00	BOLT, HEXAGON SOCKET ...	2	
3	JF2-K8283-00-00	COVER, 3	1	YPAD
4	JF2-K8284-00-00	COVER, 4	1	YPAD
5	JF2-78118-00-00	PLATE 2	2	
6	97780-60116-00	SCREW, TAPPING	2	
7	90480-85523-00	GROMMET	1	
8	JF2-77741-00-00	INDICATOR 1	1	
9	JF3-77765-00-00	LABEL, WARNING 5	1	
10	JF2-K8237-00-00	COVER, REAR FLOOR	1	YPAD
11	90269-08069-00	RIVET	7	
12	90267-63047-00	RIVET, BLIND	2	
13	90183-06028-00	NUT, SPRING	2	
14	G8E-PARTS-BO-AR	ASSEMBLY, HARDWARE	8	OPTIONAL PART
	JF2-K814N-00-00	PLATE, ORNAMENT	1	YPAD
	PNT-90000-K0-91	PAINT	8	PALE ALMOND OPTIONAL PART



JF3100-3130

BODY FITTING

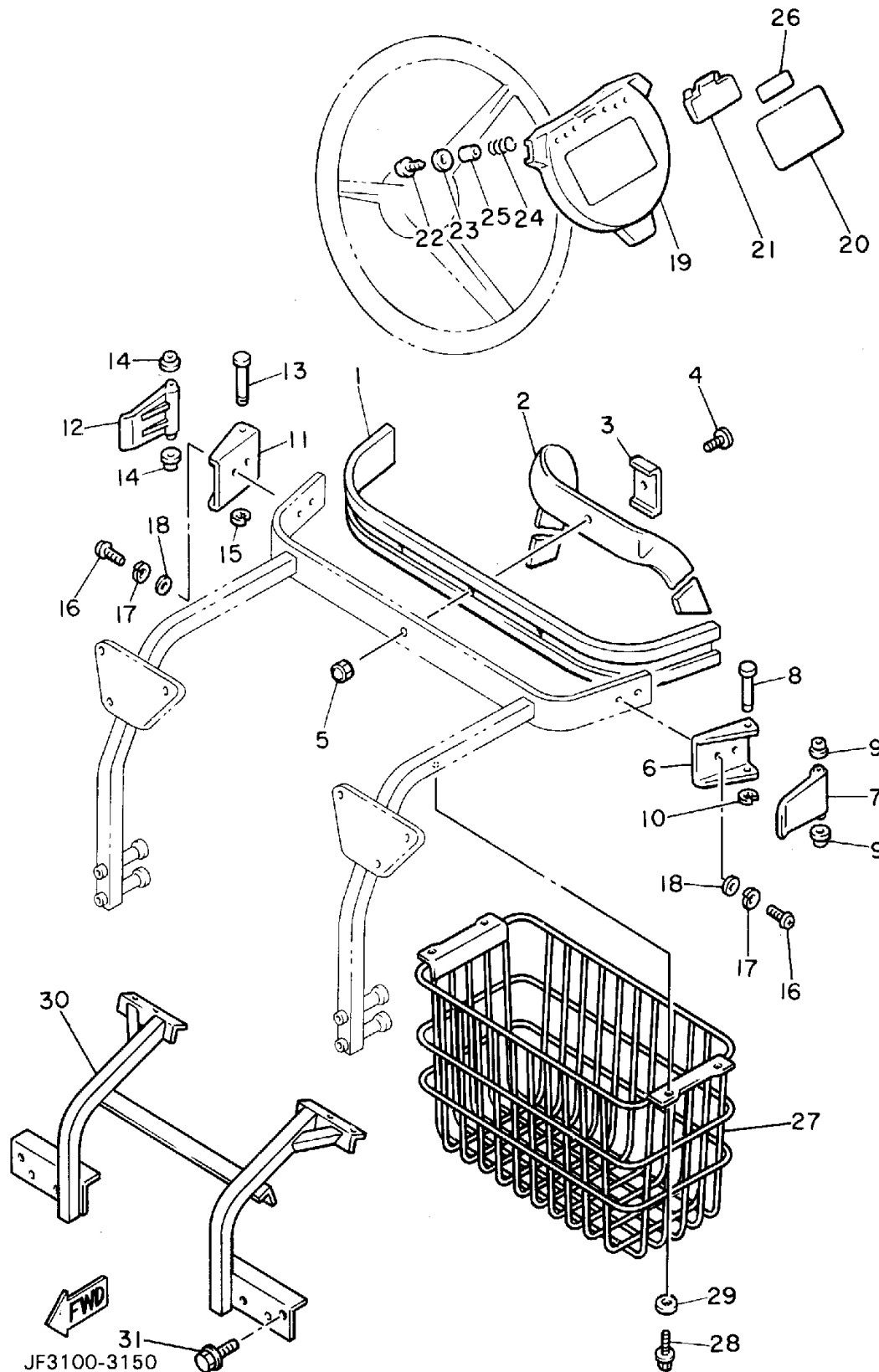


Ref. No.	Part Number	Description	Qty	Remarks
1	JF2-K8271-00-00	SERVICE LID, PEDAL	1	YPAD
2	JF2-K818A-00-00	PROTECTOR, SIDE	2	YPAD
3	JF2-K8215-10-00	PLATE, SIDE TRIM	1	YPAD
4	JF2-K821F-10-00	PLATE, SIDE TRIM	1	YPAD
5	90267-48086-00	RIVET, BLIND	6	
6	90267-48154-00	RIVET, BLIND	4	
7	90267-48086-00	RIVET, BLIND	6	
8	JF2-K8187-00-00	FLAP, FRONT FENDER (L.H) ..	2	YPAD
9	90267-48101-00	RIVET, BLIND	4	
10	JF2-K8191-00-00	PANEL, REAR FENDER	1	YPAD
11	JF2-K8192-00-00	PANEL, REAR FENDER	1	YPAD
12	90267-48101-00	RIVET, BLIND	6	



JF3100-0130

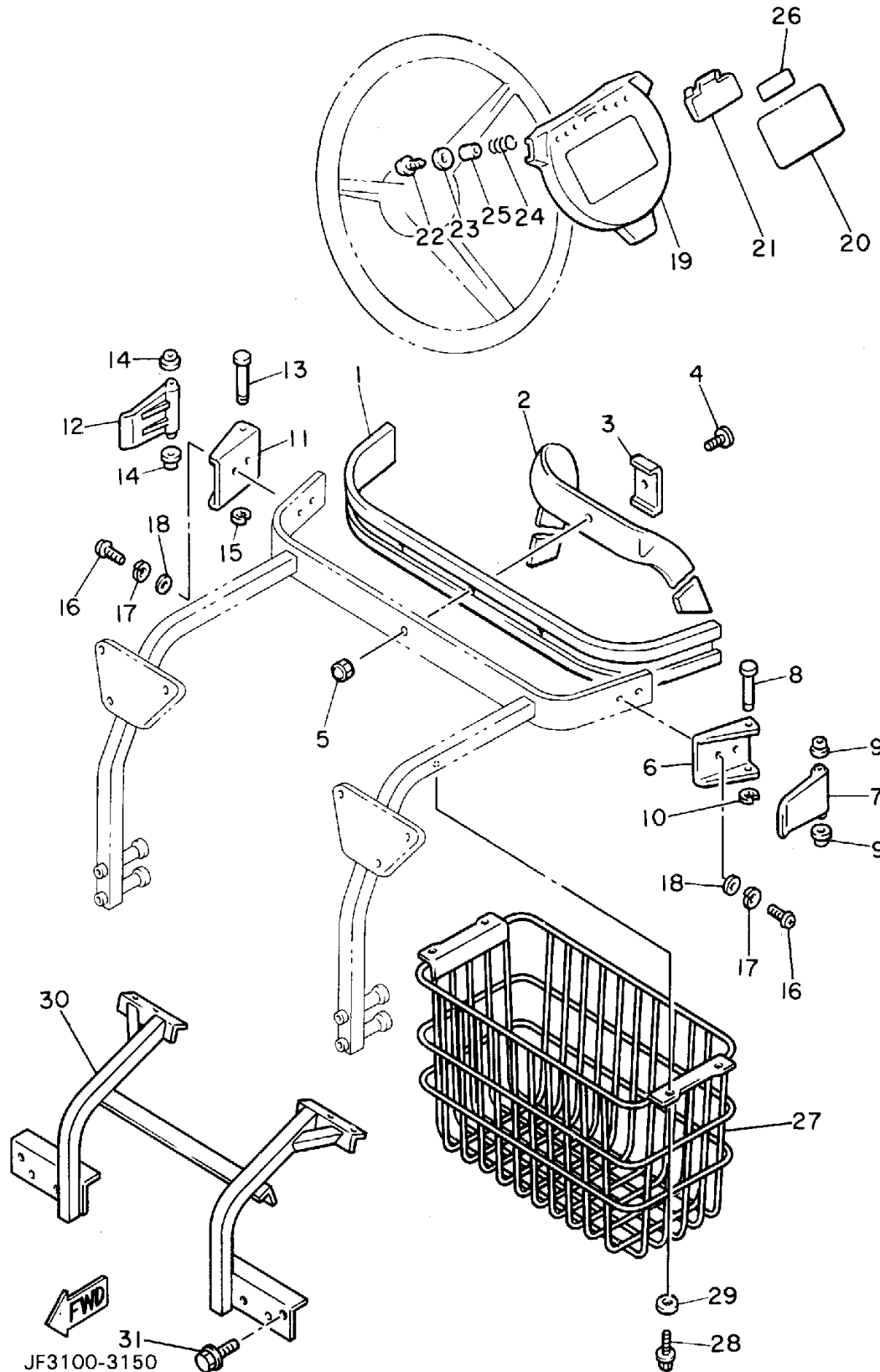
CARRIER



Ref. No.	Part Number	Description	Qty	Remarks
1	JF2-K8356-00-00	PAD, BAG SUPPORT	1	YPAD
2	JF2-K8355-00-00	BAND	1	YPAD
3	J38-78367-00-00	PLATE, ANCHOR	1	
4	98980-06016-00	SCREW, BINDING	1	
5	95380-06800-00	NUT	1	
6	J17-78157-01-00	BASE, LOCK	1	
7	J17-78368-01-00	LEVER, LOCK	1	
8	J17-78369-00-00	PIN, LEVER	1	
9	90386-06108-00	BUSH	2	
10	99080-05600-00	CIRCLIP	1	
11	J17-78157-01-00	BASE, LOCK	1	
12	J17-78368-01-00	LEVER, LOCK	1	
13	J17-78369-00-00	PIN, LEVER	1	
14	90386-06108-00	BUSH	2	
15	99080-05600-00	CIRCLIP	1	
16	98580-06010-00	SCREW, PAN HEAD (92503-06010)	4	
17	92995-06100-00	WASHER, SPRING	4	
18	92990-06200-00	WASHER	4	
19	J55-K8357-00-00	HOLDER 1	1	J38-78357-00 YPAD
20	JH7-K7762-00-00	LABEL, WARNING 2	1	
21	J55-K8358-00-00	HOLDER 2	1	J38-78358-01 YPAD
22	97706-40525-00	SCREW, TAPPING	2	
23	90201-044H9-00	WASHER, PLAIN	2	
24	90502-10013-00	SPRING, CONICAL	2	
25	90387-046N7-00	COLLAR	2	
26	J51-77763-00-00	LABEL, WARNING 3	1	
27	JF2-K8340-02-00	LUGGAGE RACK ASSEMBLY., REAR	1	YPAD

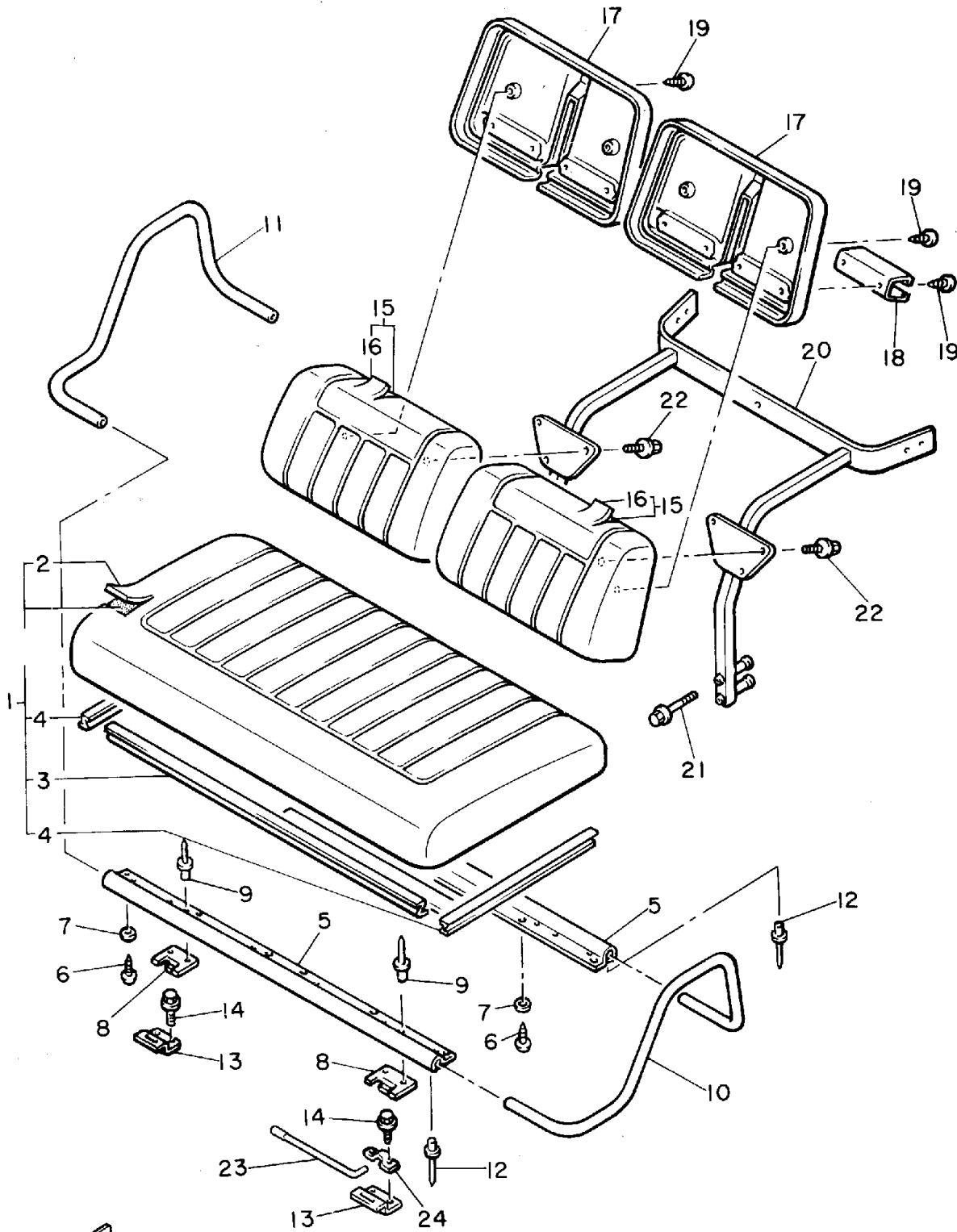
CONTINUED ON NEXT FRAME ►

CARRIER



Ref. No.	Part Number	Description	Qty	Remarks
28	95805-08016-00	BOLT, FLANGE	4	
29	90201-08103-00	WASHER, PLAIN	4	
30	JF2-K831F-01-00	SUPPORT, ROOF 5	1	YPAD
31	97501-08625-00	BOLT, WITH WASHER	4	

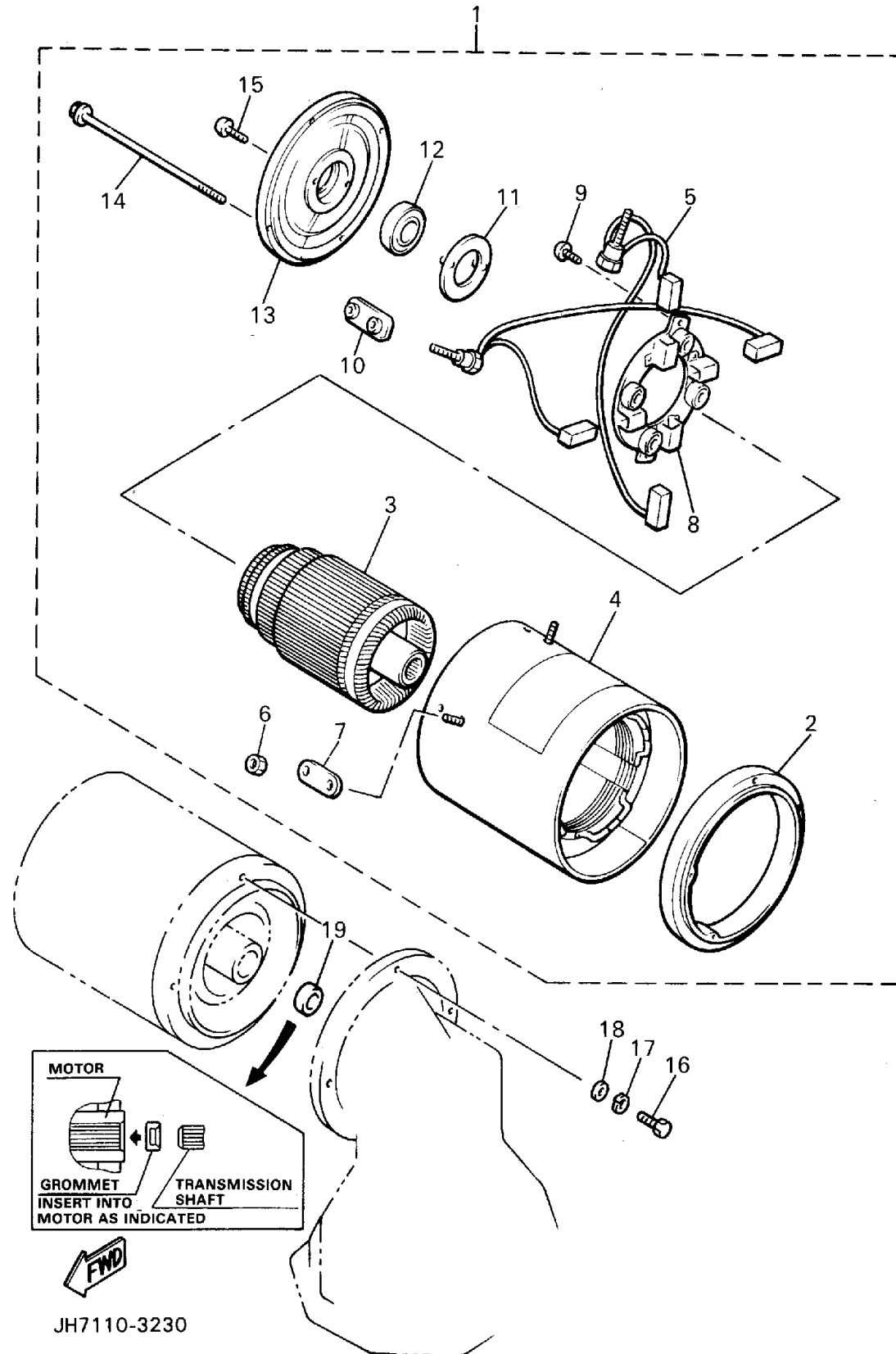
SEAT



Ref. No.	Part Number	Description	Qty	Remarks
1	JF2-K8401-01-00	SEAT SUB-ASSEMBLY, CUSHION	1	YPAD
2	JF2-K8404-09-00	. COVER, SEAT	1	YPAD
3	JF2-K8425-01-00	. SEAL, SEAT	1	YPAD
4	JF2-K842A-01-00	. SEAL, SEAT 2	2	YPAD
5	JF2-K8121-01-00	REINFORCEMENT 1	2	YPAD
6	97780-60125-00	SCREW, TAPPING	12	
7	90201-06M02-00	WASHER, PLATE	12	
8	JF2-K8426-00-00	HINGE, SEAT 1	2	YPAD
9	90267-48830-00	RIVET, BLIND	4	YPAD
10	JF2-K8361-01-00	ARM REST 1	1	YPAD
11	JF2-K8362-01-00	ARM REST 2	1	YPAD
12	90267-48830-00	RIVET, BLIND	8	YPAD
13	JF2-K8427-00-00	HINGE, SEAT FEMALE	2	YPAD
14	95805-06020-00	BOLT, FLANGE	4	
15	JF2-K8402-01-00	SEAT SUB ASSEMBLY, BACK	2	YPAD
16	JF2-K841G-09-00	. COVER, SEAT BACK 2	1	YPAD
17	JF2-K8413-00-00	COVER, SEAT BACK	2	YPAD
18	J55-K835A-00-00	HOLDER, BALL	2	J38-7835A-01 YPAD
19	90163-06801-00	SCREW, TAPPING	12	YPAD
20	JF2-K8423-03-00	SUPPORT, SEAT BACK	1	YPAD
21	95815-08075-00	BOLT, FLANGE	4	
22	90105-06903-00	BOLT, WASHER BASED	6	
23	JF2-K8421-00-00	SUPPORT, SEAT	1	YPAD
24	G8E-PARTS-BO-AR JF2-K8422-00-00	ASSEMBLY, HARDWARE BRACKET, SEAT SUPPORT	8 1	OPTIONAL PART YPAD

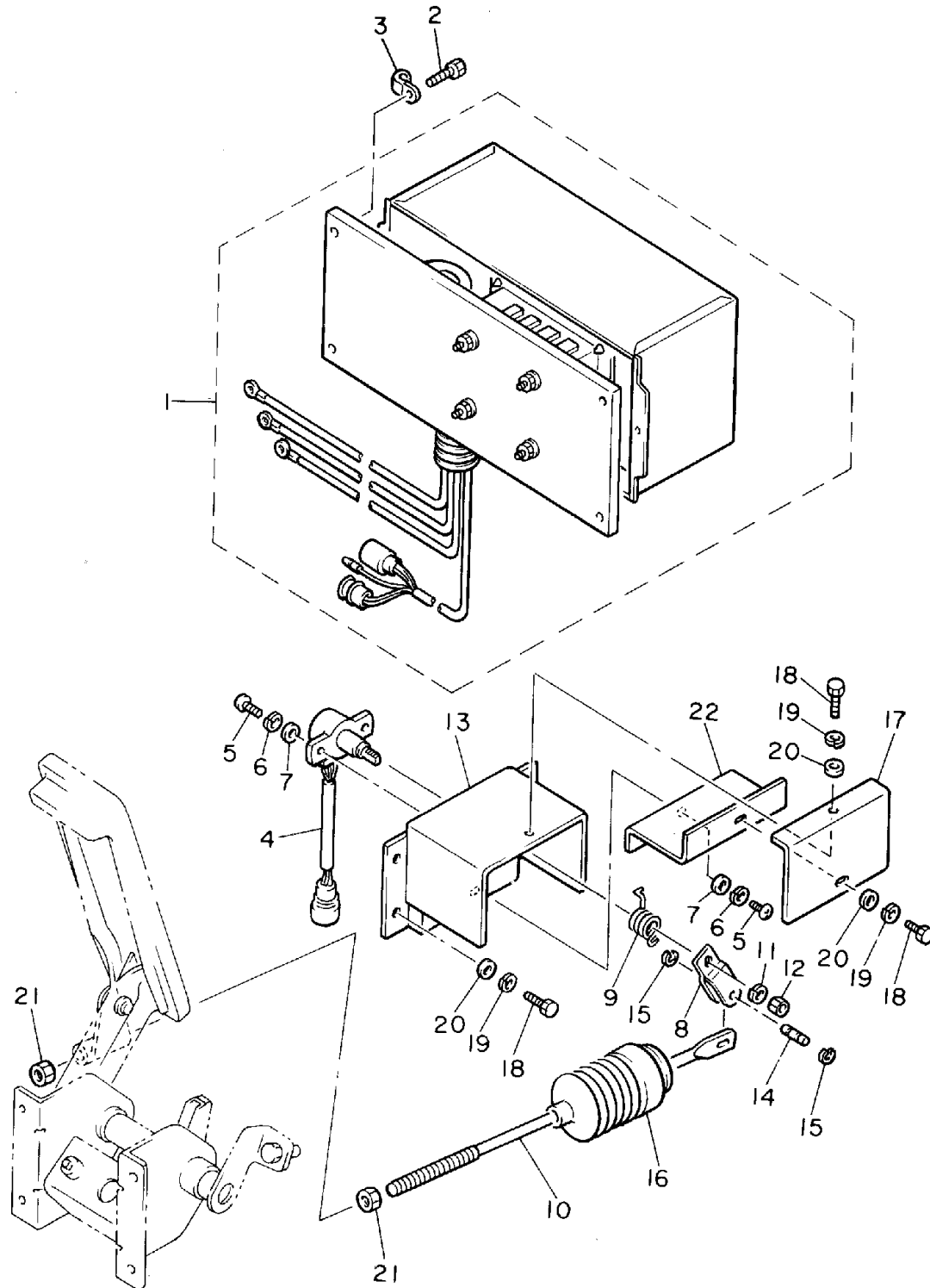
JF3100-3160

ELECTRIC MOTOR



Ref. No.	Part Number	Description	Qty	Remarks
1	JH7-H1890-10-00	MOTOR ASSEMBLY	1	YPAD
2	JH7-H183J-00-00	. BRACKET, FRONT	1	YPAD
3	JH7-H1850-00-00	. ARMATURE ASSEMBLY	1	YPAD
4	JH7-H1810-10-00	. STATOR ASSEMBLY	1	YPAD
5	JH7-H1801-00-00	. BRUSH SET	1	YPAD
6	JH7-H1872-10-00	. NUT, SPECIAL	4	YPAD
7	J51-H1843-00-00	. WASHER 1	2	YPAD
8	JH7-H1840-00-00	. BRUSH HOLDER ASSEMBLY	1	YPAD
9	JH7-H1848-00-00	. SCREW, BRUSH HOLDER ...	2	YPAD
10	JG6-H1824-00-00	. WASHER 2	2	YPAD
11	JH7-H1856-00-00	. BEARING	1	YPAD
12	J56-H1857-00-00	. RETAINER	1	YPAD
13	JH7-H1822-00-00	. BRACKET, STARTING MOTOR	1	YPAD
14	JG6-H1828-00-00	. BOLT 2	4	YPAD
15	JH7-H1846-00-00	. SCREW	2	YPAD
16	90101-06857-00	BOLT	3	YPAD
17	90215-06811-00	WASHER, LOCK	3	YPAD
18	90201-068E2-00	WASHER, PLATE	3	YPAD
19	JH7-H1829-00-00	GROMMET	1	YPAD

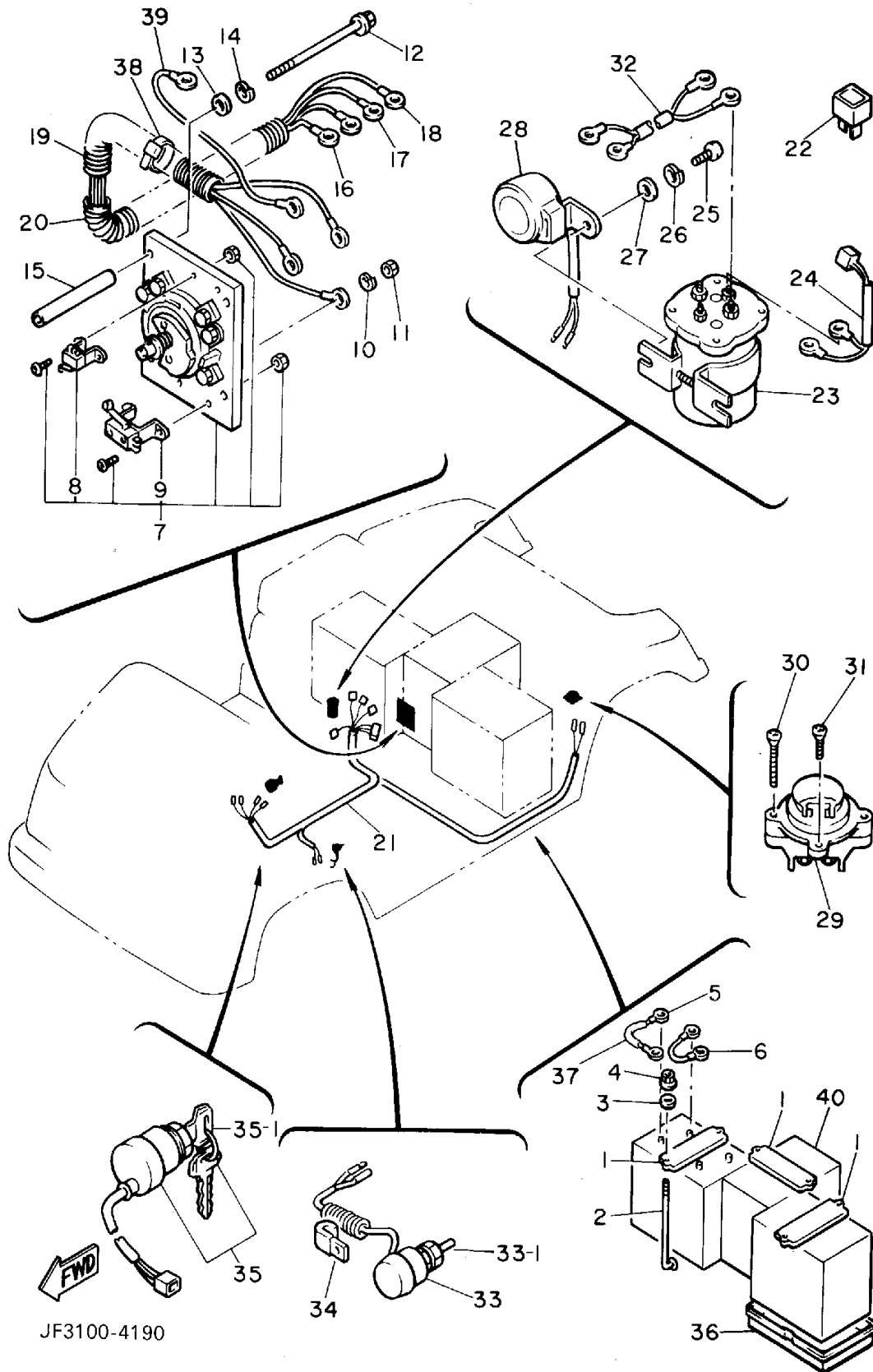
CONTROLLER 1



JH7100-3180

Ref. No.	Part Number	Description	Qty	Remarks
1	JF3-86510-11-00	MOTER CONTROL UNIT ASSEMBLY	1	
2	90105-06707-00	BOLT (95023-06016-00)	4	
3	90465-06038-00	CLAMP	1	
4	JF3-85885-02-00	THROTTLE SENSOR ASSEMBLY	1	
5	98580-05016-00	SCREW, PAN HEAD	3	
6	92990-05100-00	WASHER, SPRING	3	
7	92901-05600-00	WASHER, PLATE	3	
8	JF3-2625H-00-00	ARM, THROTTLE	1	
9	JF3-27825-00-00	SPRING, RETURN	1	
10	JF3-27241-00-00	ROD, JOINT	1	
11	92995-06100-00	WASHER, SPRING	1	
12	95601-06200-00	NUT, U FLANGE	1	
13	JF3-27981-00-00	BRACKET, THROTTLE	1	
14	JF3-27813-00-00	PIN, PEDAL CRANK	1	
15	99080-04600-00	CIRCLIP (E)	2	
16	JF3-27486-00-00	COVER 1	1	
17	JF3-27487-00-00	COVER 2	1	
18	97001-05016-00	BOLT (97002-05016-00)	6	
19	92990-05100-00	WASHER, SPRING	6	
20	92901-05600-00	WASHER, PLATE	6	
21	95303-08700-00	NUT	2	
22	JF3-27445-00-00	PLATE 1	1	

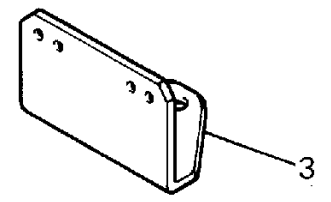
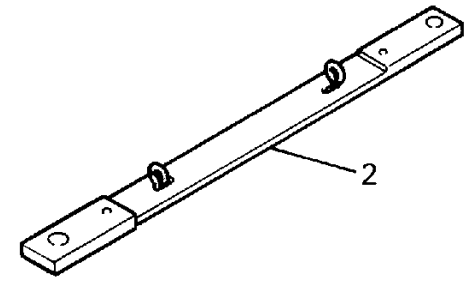
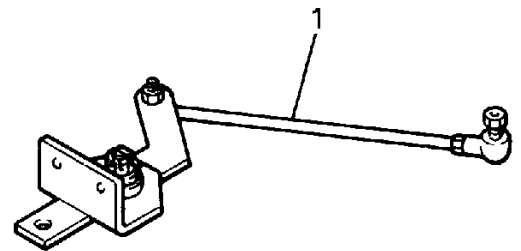
ELECTRICAL 1



Ref. No.	Part Number	Description	Qty	Remarks
1	JF3-H2136-00-00	PLATE, BATTERY	3	YPAD
2	JF3-82133-01-00	SCREW, FITTING	6	
3	90201-065G8-00	WASHER, PLATE	6	
4	95701-06500-00	NUT, FLANGE	6	
5	J51-H2115-00-00	WIRE, PLUS LEAD	1	YPAD
6	J51-H2127-00-00	WIRE, LEAD 2	5	YPAD
7	JF3-82917-01-00	SWITCH	1	
8	J41-82617-00-00	. SWITCH	1	
9	J41-82817-00-00	. MICRO SWITCH	1	
10	92995-06100-00	WASHER, SPRING	4	
11	95601-06200-00	NUT, U FLANGE	4	
12	97002-06100-00	BOLT	4	
13	92990-06200-00	WASHER	4	
14	92995-06100-00	WASHER, SPRING	4	
15	90387-061W6-00	COLLAR	4	
16	JF3-H2521-01-00	WIRE, LEAD	1	YPAD
17	JF3-H2531-00-00	WIRE, LEAD	1	YPAD
18	JF3-H6171-00-00	WIR, LEAD 1	1	YPAD
19	JF3-H7196-00-00	TUBE 1	1	YPAD
20	JF3-H7197-00-00	TUBE 2	1	YPAD
21	JF3-82590-11-00	WIRE HARNESS ASSEMBLY ..	1	
22	J44-81980-60-00	DIODE	2	
23	JF3-H1950-00-00	RELAY ASSEMBLY	1	YPAD
24	JF2-82105-00-00	WIRE HARNESS	1	
25	98502-06016-00	SCREW, PAN HEAD (98501-06014-00)	2	
26	92995-06100-00	WASHER, SPRING	2	
27	92990-06600-00	WASHER, PLATE	2	
28	JF3-83383-02-00	BUZZER	1	

CONTINUED ON NEXT FRAME ►

ALTERNATE (DRAW-BAR)



Ref. No.	Part Number	Description	Qty	Remarks
1	ABA-JG599-20-01	PIVOT ARM ASSEMBLY 1	YPAD
2	ABA-JG599-10-00	DRAW BAR ASSEMBLY 1	YPAD
3	ABA-JF286-00-00	REAR HITCH 1	YPAD



JH7100-4210

GOLF CAR	DATE: 05/25/94	BUL: G94-002
----------	----------------	--------------

G9AK/EK

TOE-IN SETTING CHANGES

INTRODUCTION

A revised toe-in specification is used on affected 1994 cars. These cars are equipped with a different shock absorber.

DEALER ACTION SUMMARY

Add the revised toe-in specification and affected unit range to all service literature and service manuals that include these models.

SERVICE INFORMATION

The revised toe-in specification is as follows:
UNLOADED CONDITION

G9AK **9.5mm ± 5mm**

G9EK **7.0mm ± 5mm**

Unloaded condition is a fully assembled gas car with a full tank of fuel, or a fully assembled electric with all batteries installed, but without accessories, operator, passenger or golf bags.

It is normally not necessary to check or set toe-in on new cars at predelivery.

If an adjustment is necessary, follow the procedure outlined in Technical Bulletin G91-002A. However, use the tire pressure specifications for the 1994 cars of 16~20 psi.

AFFECTED UNITS

G9AK/AK1 JG5-307130 ~

G9EK/EK1/EKP JH7-201368 ~

WARRANTY INFORMATION

No warranty applies with this bulletin. This is for information purposes only.