



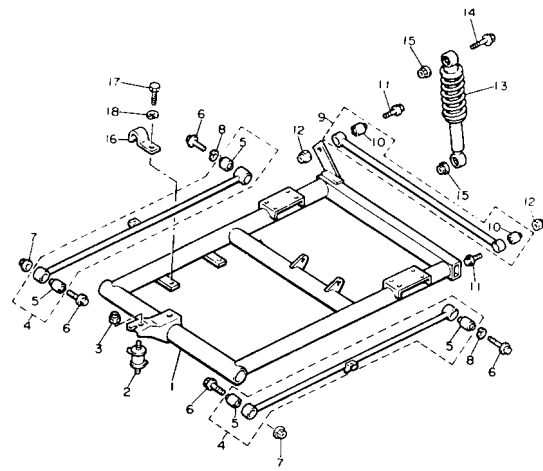
YAMAHA

GENUINE

PARTS CATALOGUE

GOLF CAR

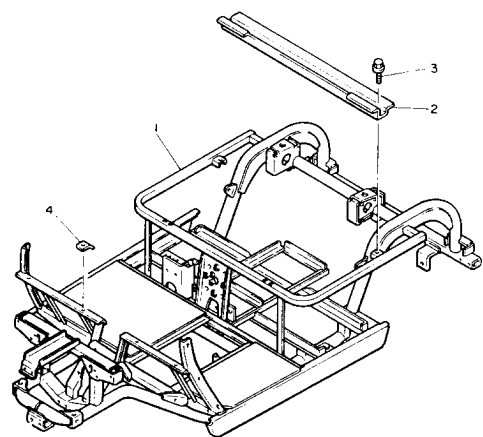
REAR SHOCKS



JF3100-0010

Ref. No.	Part Number	Description	Qty	Remarks
1	JF3-F2110-00-00	REAR ARM COMP.	1	
2	J50-22123-00-00	BUSH 1	1	
3	90185-10115-00	NUT, SELF-LOCKING	2	
4	J50-22171-00-00	ARM, REAR 1	2	
5	J50-22124-00-00	. BUSH 2	2	
6	95812-12065-00	BOLT, FLANGE	4	
7	90185-12072-00	NUT, SELF-LOCKING	2	
8	92901-12100-00	WASHER, SPRING	2	
9	JF2-22172-00-00	ARM, REAR 2	1	
10	J50-22124-00-00	. BUSH 2	2	
11	95812-12065-00	BOLT, FLANGE	2	
12	90185-12072-00	NUT, SELF-LOCKING	2	
13	JF3-22210-01-00	SHOCK ABSORBER ASSEMBLY, REAR	2	
14	95812-12065-00	BOLT, FLANGE	2	
15	90185-12072-00	NUT, SELF-LOCKING	4	
16	90462-20186-00	CLAMP	2	
17	97003-06012-00	BOLT (97001-06012)	2	
18	92995-06100-00	WASHER, SPRING	2	

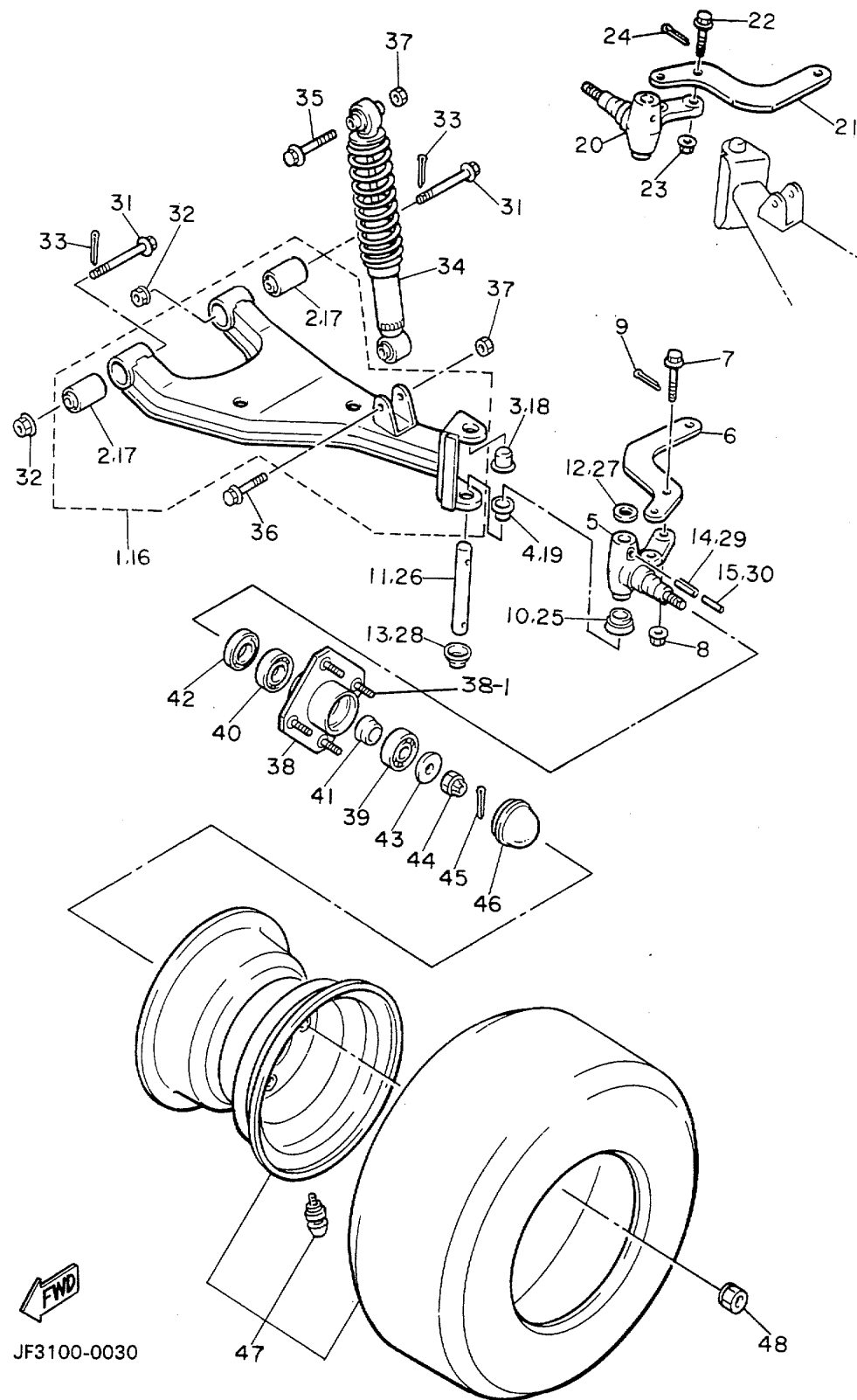
FRAME



Ref. No.	Part Number	Description	Qty	Remarks
1	JF3-F2501-10-00	FRAME COMP.	1	
2	JF2-F254R-00-00	SUPPORT, BODY MOUNTING .	1	
3	95811-08016-00	BOLT, FLANGE	2	
4	JF2-7814A-00-00	SEAL, BODY UPPER	4	

 JF3100-0020

FRONT SUSPENSION - WHEEL

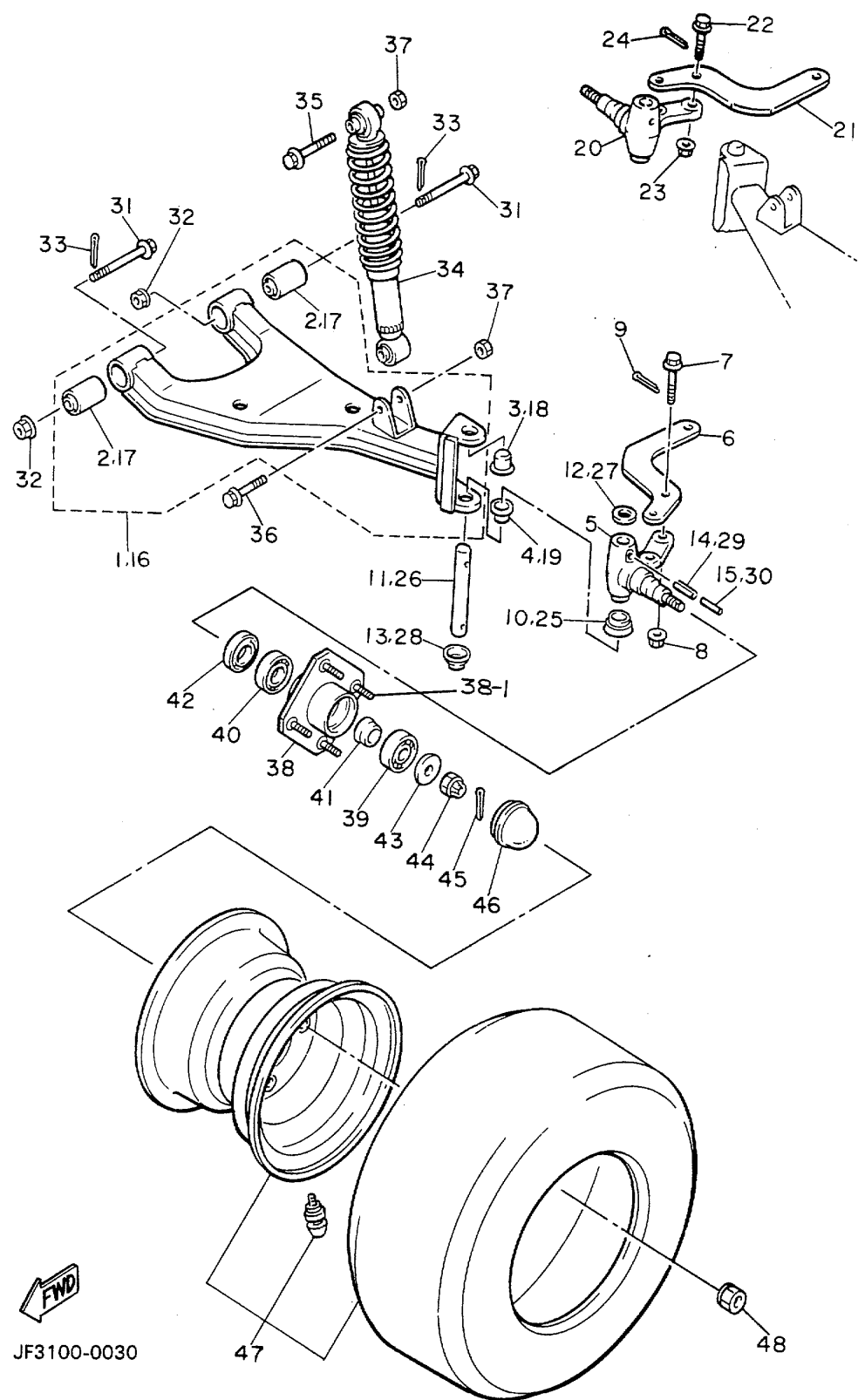


Ref. No.	Part Number	Description	Qty	Remarks
1	JF2-F3570-00-00	FRONT LOWER ARM COMP. (LEFT)	1	
2	J38-23526-00-00	. BUSH	2	
3	90338-17225-00	PLUG	1	
4	90386-15139-00	BUSH	1	
5	J38-23511-01-00	KNUCKLE, STEERING 1	1	
6	J38-23512-02-00	ARM, KNUCKLE 1	1	
7	90105-10360-00	BOLT, FLANGE	2	
8	90185-10115-00	NUT, SELF-LOCKING	2	
9	91401-25020-00	PIN, COTTER	2	
10	J38-23527-00-00	SEAL, DUST	1	
11	J38-23516-00-00	PIN, STEERING KNUCKLE	1	J38-23516-00
12	90201-156J2-00	WASHER, PLAIN	1	
13	J38-23528-00-00	SEAL, DUST	1	
14	91609-60028-00	PIN, SPRING	1	
15	91609-35028-00	PIN, SPRING	1	
16	JF2-F3580-00-00	FRONT LOWER ARM COMP. (RIGHT)	1	
17	J38-23526-00-00	. BUSH	2	
18	90338-17225-00	PLUG	1	
19	90386-15139-00	BUSH	1	
20	J38-23521-01-00	KNUCKLE, STEERING 2	1	
21	J38-23512-02-00	ARM, KNUCKLE 1	1	
22	90105-10360-00	BOLT, FLANGE	2	
23	90185-10115-00	NUT, SELF-LOCKING	2	
24	91401-25020-00	PIN, COTTER	2	
25	J38-23527-00-00	SEAL, DUST	1	
26	J38-23516-00-00	PIN, STEERING KNUCKLE	1	J38-23516-00
27	90201-156J2-00	WASHER, PLAIN	1	

CONTINUED ON NEXT FRAME ►

JF3100-0030

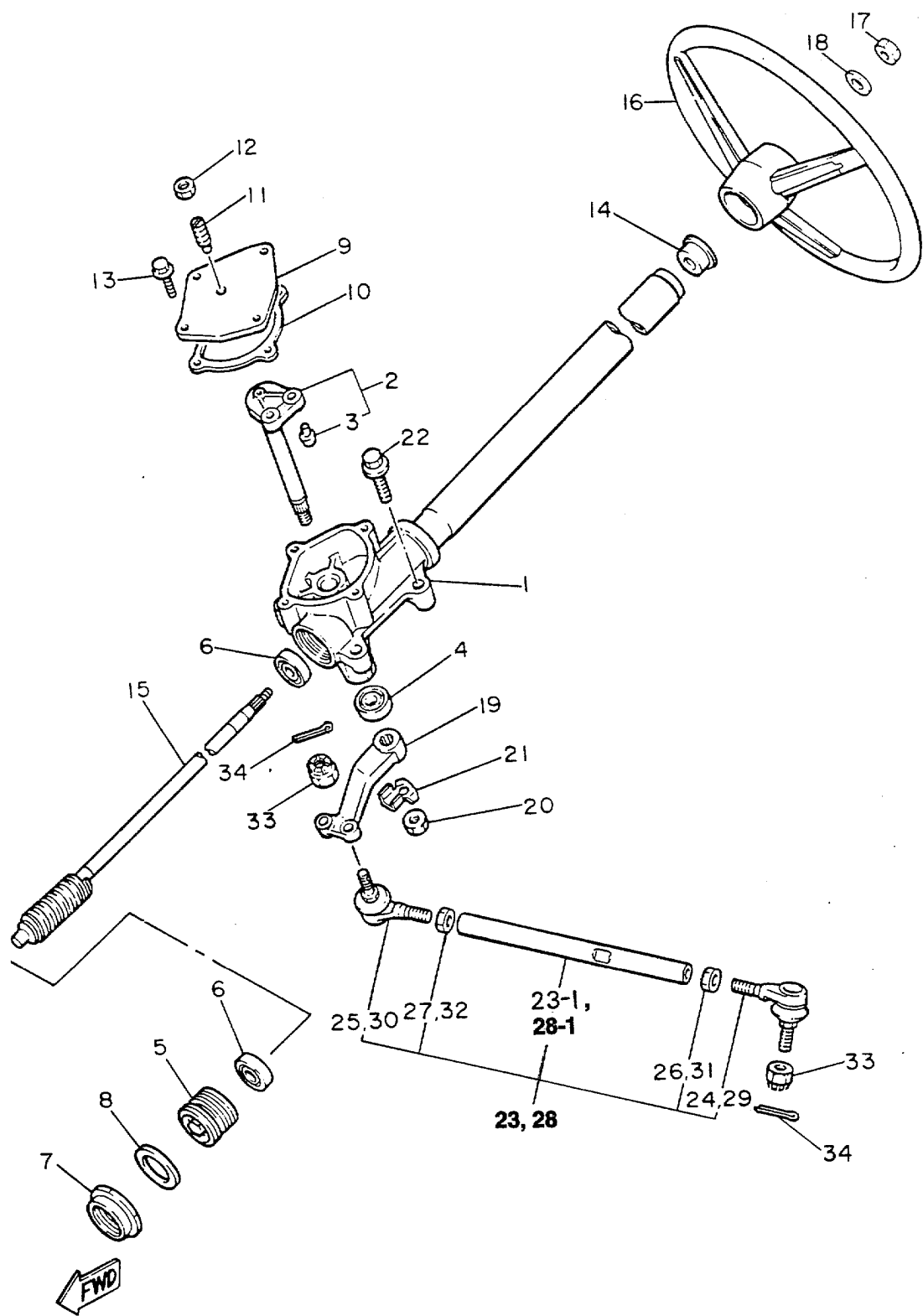
FRONT SUSPENSION - WHEEL



Ref. No.	Part Number	Description	Qty	Remarks
28	J38-23528-00-00	SEAL, DUST	1	
29	91609-60028-00	PIN, SPRING	1	
30	91609-35028-00	PIN, SPRING	1	
31	90105-10357-00	BOLT, FLANGE	4	
32	90185-10115-00	NUT, SELF-LOCKING	4	
33	91401-25020-00	PIN, COTTER	4	
34	JF3-23350-01-00	SHOCK ABSORBER ASSEMBLY	2	
35	97002-10065-00	BOLT	2	
36	97012-10050-00	BOLT (97002-10050-00)	2	
37	95601-10100-00	NUT, U (95602-10100-00)	4	
38	JG5-WF511-00-00	HUB	2	
39	93306-20437-00	BEARING	2	
40	93306-00511-00	BEARING	2	
41	90387-241M7-00	COLLAR	2	
42	93102-30083-00	SEAL, OIL	2	
43	90209-32271-00	WASHER	2	
44	95601-14100-00	NUT, U (95602-14100-00)	2	
45	91401-25020-00	PIN, COTTER	2	
46	J17-25118-00-00	COVER, HUB DUST	2	
47	JF2-F5100-00-00	FRONT WHEEL ASSEMBLY- 8	2	
48	90179-12262-00	NUT	8	
38-1	90114-12800-00	. BOLT, RIBBED NECK	8	

JF3100-0030

STEERING

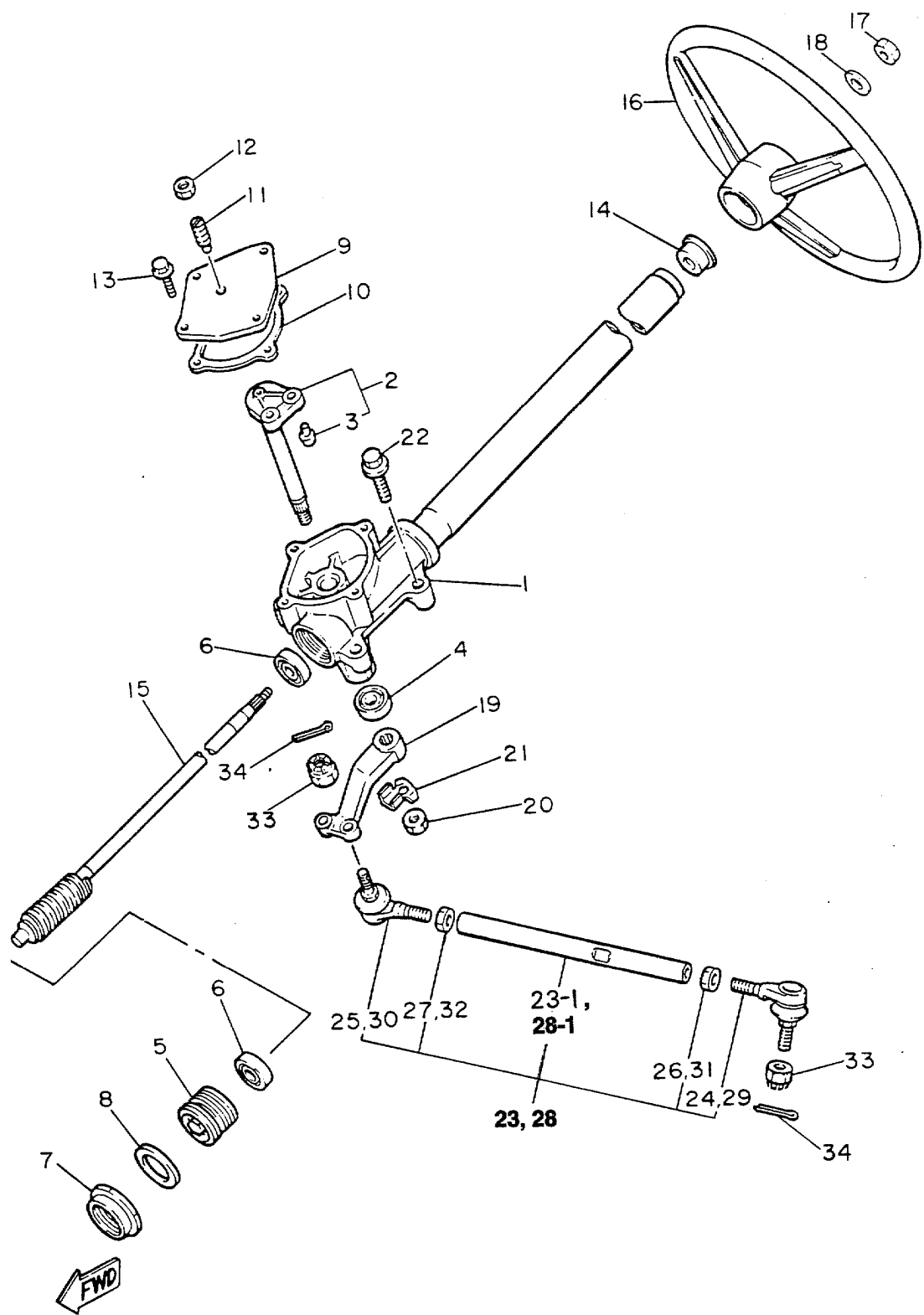


JF2100-0130

Ref. No.	Part Number	Description	Qty	Remarks
1	JF2-F3811-00-00	COLUMN, STEERING	1	
2	J38-23816-00-00	ARM, PITMAN	1	
3	J38-23836-00-00	. PIN, PITMAN	2	
4	93102-22314-00	SEAL, OIL	1	
5	J55-F3876-00-00	BOLT	1	
6	93332-00010-00	BEARING	2	
7	J10-23877-00-00	NUT	1	
8	J10-23444-00-00	WASHER	1	
9	J55-23818-00-00	COVER, STEERING	1	
10	J38-23462-00-00	SEAL, STEERING (J38-23462-01-00)	1	
11	J10-23459-00-00	BOLT	1	
12	90170-08024-00	NUT, HEX.	1	
13	95811-06020-00	BOLT, FLANGE	4	
14	J38-23814-00-00	HOLDER, HANDLE UPPER	1	
15	JF2-23840-00-00	STEERING SHAFT ASSEMBLY	1	
16	JF2-F3838-00-00	WHEEL, STEERING	1	
17	90185-12119-00	NUT, SELF-LOCKING	1	
18	92990-12200-00	WASHER, PLAIN	1	
19	J38-23826-01-00	ARM, IDLER	1	
20	95701-16300-00	NUT, FLANGE	1	
21	90215-16252-00	WASHER, TONGUE	1	
22	95811-10050-00	BOLT, FLANGE (95812-10050-00)	4	
23	JF2-F3830-00-00	TIE ROD ASSEMBLY	1	
24	J38-23841-01-00	. JOINT, UNIVERSAL 1	1	
25	J38-23845-01-00	. JOINT, UNIVERSAL 2	1	
26	90170-12055-00	. NUT	1	
27	90170-12054-00	. NUT	1	

CONTINUED ON NEXT FRAME ►

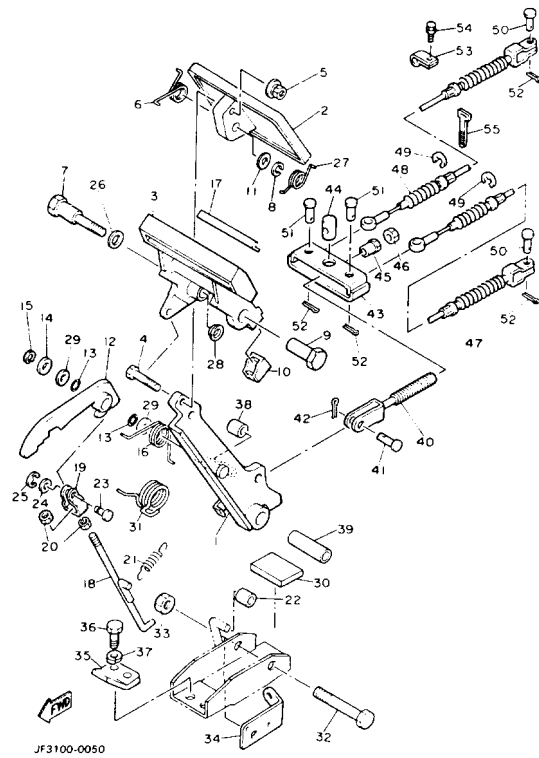
STEERING



JF2100-0130

Ref. No.	Part Number	Description	Qty	Remarks
28	JF2-F3850-00-00	TIE ROD ASSEMBLY	1	
29	J38-23841-01-00	. JOINT, UNIVERSAL 1	1	
30	J38-23845-01-00	. JOINT, UNIVERSAL 2	1	
31	90170-12055-00	. NUT	1	
32	90170-12054-00	. NUT	1	
33	95601-10100-00	NUT, U (95602-10100-00)	4	
34	91401-25020-00	PIN, COTTER	4	
	G8E-PARTS-BO-AR	ASSEMBLY, HARDWARE	OPTIONAL PART
23-1	J38-23831-02-00	. ROD, TIE	1	
28-1	J38-23837-02-00	. ROD, TIE 2	1	

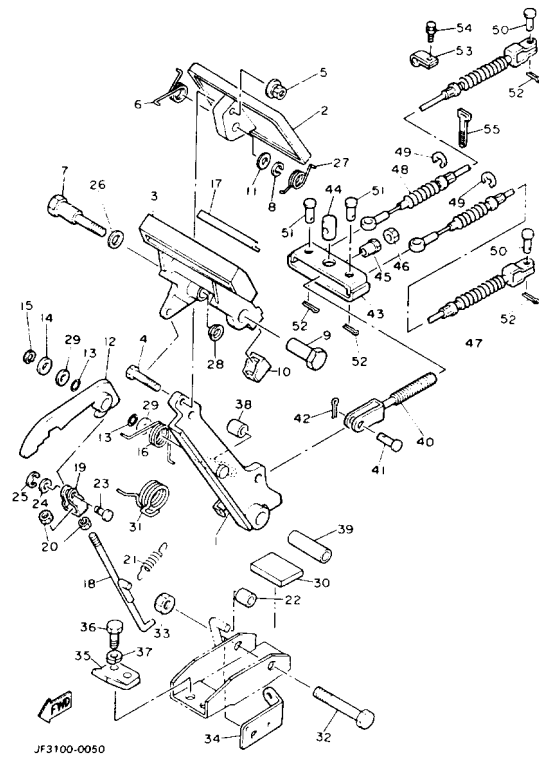
BRAKE 1



Ref. No.	Part Number	Description	Qty	Remarks
1	J46-27250-01-00	BRAKE ARM CMLPT	1	
2	J10-27211-00-00	PEDAL, BRAKE	1	
3	J17-25670-01-00	PARKING PEDAL COMP.	1	
4	90101-06555-00	BOLT, HEX.	1	
5	90179-07564-00	NUT	1	
6	90508-23542-00	SPRING, TORSION	1	
7	90109-08669-00	BOLT	1	
8	92990-08100-00	WASHER	1	
9	90179-08378-00	NUT	1	
10	J17-25679-01-00	DAMPER	2	
11	92990-08200-00	WASHER, PLAIN	1	
12	J17-W2561-00-00	SECTOR, PARKING BRAKE	1	
13	J17-27221-00-00	SEAL, SHAFT	2	
14	92990-10600-00	WASHER, PLATE	1	
15	99080-07600-00	CIRCLIP (E)	1	
16	90508-14548-00	SPRING, TORSION	1	
17	J17-25672-00-00	PAD, PARKING PEDAL	1	
18	J17-27231-00-00	ROD, BRAKE	1	
19	J17-27232-00-00	END, ROD	1	
20	95380-06700-00	NUT	2	
21	90506-12277-00	SPRING, TENSION	1	
22	J17-25673-00-00	DAMPER, BRAKE	1	
23	J17-27228-00-00	PIN, LINK JOINT	1	
24	92901-05600-00	WASHER, PLATE	1	
25	99080-04600-00	CIRCLIP (E)	1	
26	90201-123F2-00	WASHER, PLAIN	1	
27	90508-26557-00	SPRING, TORSION	1	
28	90380-12105-00	BUSH, SOLID	1	
29	90201-104G8-00	WASHER, PLAIN	2	

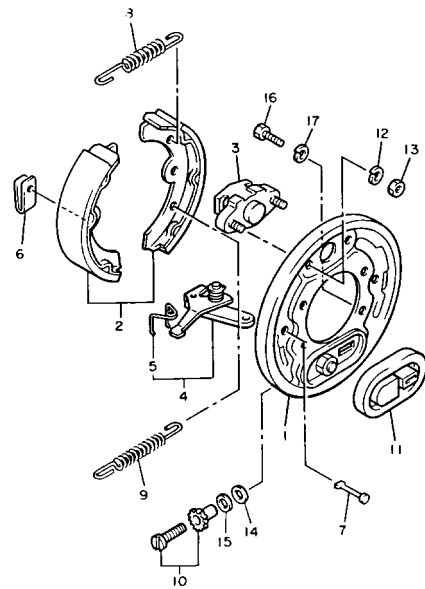
CONTINUED ON NEXT FRAME ►

BRAKE 1



Ref. No.	Part Number	Description	Qty	Remarks
30	J17-27245-00-00	PAD, BRAKE PEDAL	1	
31	90508-40543-00	SPRING, TORSION	1	
32	90101-10447-00	BOLT, HEX.	1	
33	95601-10100-00	NUT, U (95602-10100-00)	1	
34	J55-2252M-00-00	BRACKET,	1	
35	J17-27246-00-00	NAIL, BRAKE	1	
36	97313-08020-00	BOLT, HEXAGON	2	
37	92990-08100-00	WASHER	2	
38	J17-25673-00-00	DAMPER, BRAKE	1	
39	90387-107F8-00	COLLAR	1	
40	JF2-25685-00-00	ROD	1	
41	91701-10022-00	PIN	1	
42	91490-30030-00	PIN, COTTER	1	
43	JF2-25681-00-00	EQUALIZER, BRAKE	1	
44	90249-14129-00	PIN	1	
45	90179-08261-00	NUT	1	
46	95303-08700-00	NUT	1	
47	JF2-F6341-00-00	CABLE, BRAKE	1	
48	JF2-F6351-00-00	CABLE, BRAKE	1	
49	99001-09600-00	CIRCLIP	4	
50	91701-08018-00	PIN	2	
51	91701-08026-00	PIN	2	
52	91490-25020-00	PIN, COTTER	4	
53	90461-12117-00	CLAMP	2	
54	95811-06012-00	BOLT, FLANGE	2	
55	25G-83936-01-00	BAND, SWITCH CORD	1	

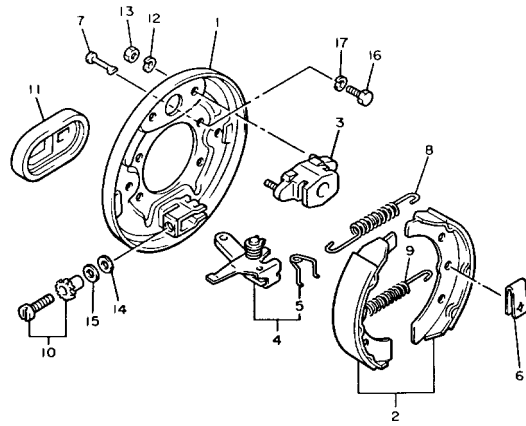
BRAKE 2



JG5100-1170

Ref. No.	Part Number	Description	Qty	Remarks
1	J17-27208-00-00	BACKING PLATE SUB ASSEMBLY 1 (R.H)	1	
2	J55-W2536-00-00	BRAKE SHOE SET	1	
3	J17-27206-00-00	ANCHOR BODY COMP.	1	
4	J38-27204-00-00	LEVER ASSEMBLY 1	1	
5	J55-25358-00-00	. SPRING LEVER	1	
6	J10-27281-00-00	SPRING, SHOE CLAMP	2	
7	J10-27282-00-00	PIN, SHOE HOLD DOWN	2	
8	90506-20281-00	SPRING, TENSION	1	
9	90506-26191-00	SPRING, TENSION	1	
10	J55-27270-00-00	ADJUSTER ASSEMBLY	1	
11	J10-27286-00-00	COVER, DUST	1	
12	92995-06100-00	WASHER, SPRING	2	
13	95380-06600-00	NUT	2	
14	90201-121H8-00	WASHER, PLATE	1	
15	90201-121H9-00	WASHER, PLATE	1	
16	97011-08016-00	BOLT	4	
17	92990-08100-00	WASHER	4	

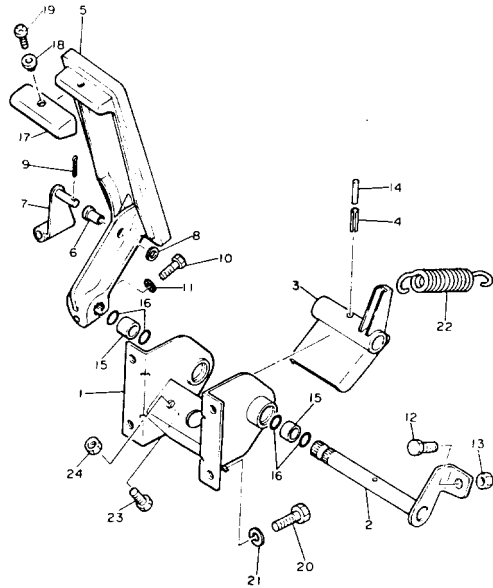
BRAKE 3



JG5100-1180

Ref. No.	Part Number	Description	Qty	Remarks
1	J17-27209-00-00	BACKING PLATE SUB ASSEMBLY 2 (L.H)	1	
2	J55-W2536-00-00	BRAKE SHOE SET	1	
3	J17-27206-00-00	ANCHOR BODY COMP.	1	
4	J38-27205-00-00	LEVER ASSEMBLY 2	1	
5	J55-25357-00-00	. SPRING, LEVER	1	
6	J10-27281-00-00	SPRING, SHOE CLAMP	2	
7	J10-27282-00-00	PIN, SHOE HOLD DOWN	2	
8	90506-20281-00	SPRING, TENSION	1	
9	90506-26191-00	SPRING, TENSION	1	
10	J55-27260-00-00	ADJUSTER ASSEMBLY	1	
11	J10-27286-00-00	COVER, DUST	1	
12	92995-06100-00	WASHER, SPRING	2	
13	95380-06600-00	NUT	2	
14	90201-121H8-00	WASHER, PLATE	1	
15	90201-121H9-00	WASHER, PLATE	1	
16	97011-08016-00	BOLT	4	
17	92990-08100-00	WASHER	4	

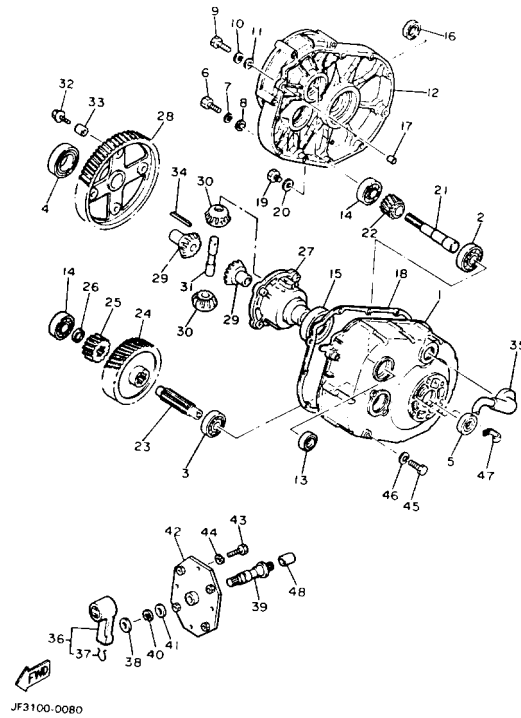
ACCELERATOR



FWD
JF3100-0070

Ref. No.	Part Number	Description	Qty	Remarks
1	J41-27874-00-00	BRACKET, ACCELERATOR		
		PEDAL	1	
2	J17-27853-00-00	SHAFT, PEDAL 1	1	
3	J22-27872-00-00	ARM, ACCELERATOR	1	
4	91609-60028-00	PIN, SPRING	1	
5	JF3-27871-00-00	PEDAL, ACCELERATOR	1	
6	90381-06033-00	BUSH, SOLID	1	
7	J14-27815-00-00	LEVER, CRANK	1	
8	92990-06600-00	WASHER, PLATE	1	
9	91490-20020-00	PIN, COTTER	1	
10	97011-06025-00	BOLT (97001-06025)	1	
11	92995-06100-00	WASHER, SPRING	1	
12	90106-08040-00	BOLT, RD. HEX	1	
13	95303-08700-00	NUT	1	
14	91609-35028-00	PIN, SPRING	1	
15	90384-14080-00	BUSH, BIMETAL	2	
16	93210-14104-00	O-RING	4	
17	JF2-27854-00-00	COVER, PEDAL	1	
18	90387-050X4-00	COLLAR	1	
19	98906-05012-00	SCREW, BIND	1	
20	97011-06016-00	BOLT	4	
21	92995-06100-00	WASHER, SPRING	4	
22	90506-26282-00	SPRING, TENSION	1	
23	97011-06025-00	BOLT (97001-06025)	1	
24	95380-06700-00	NUT	1	

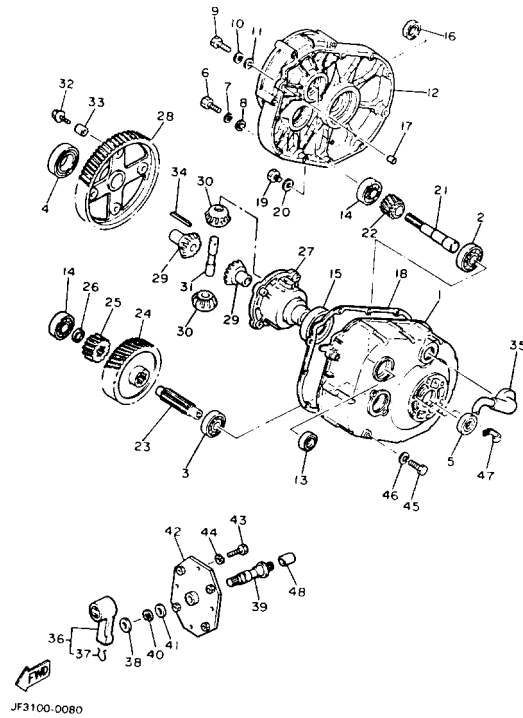
TRANSMISSION 1



Ref. No.	Part Number	Description	Qty	Remarks
1	J14-46311-00-00	CASE, TRANSMISSION 1	1	
2	93306-20541-00	BEARING (B6205)	1	
3	93306-20421-00	BEARING	1	
4	93306-00803-00	BEARING (B6008)	1	
5	93102-22189-00	OIL SEAL	1	
6	97021-08035-00	BOLT	9	
7	92990-08100-00	WASHER	9	
8	92901-08600-00	WASHER	9	
9	97021-08045-00	BOLT	2	
10	92990-08100-00	WASHER	2	
11	92901-08600-00	WASHER	2	
12	J14-46312-02-00	CASE, TRANSMISSION 2	1	
13	93102-20143-00	OIL SEAL	1	
14	93306-20421-00	BEARING	2	
15	93306-00803-00	BEARING (B6008)	1	
16	93102-22189-00	OIL SEAL	1	
17	99510-12016-00	PIN, DOWEL	2	
18	J10-46319-01-00	GASKET	1	
19	90340-14036-00	PLUG, STRAIGHT SCRW	2	
20	90430-14043-00	GASKET	2	
21	J14-46321-01-00	SHAFT, INPUT	1	
22	J56-46331-00-00	GEAR, INPUT 1	1	
23	J10-46351-00-00	SHAFT, COUNTER	1	
24	J56-46361-00-00	GEAR, COUNTER 1	1	
25	J17-46362-00-00	GEAR, COUNTER 2	1	
26	90201-20272-00	WASHER, PLATE	1	
27	J38-46411-01-00	CASE, DIFFERENTIAL	1	
28	J41-46421-00-00	GEAR, RING	1	
29	J38-46414-00-00	GEAR, DIFFERENTIAL SIDE	2	

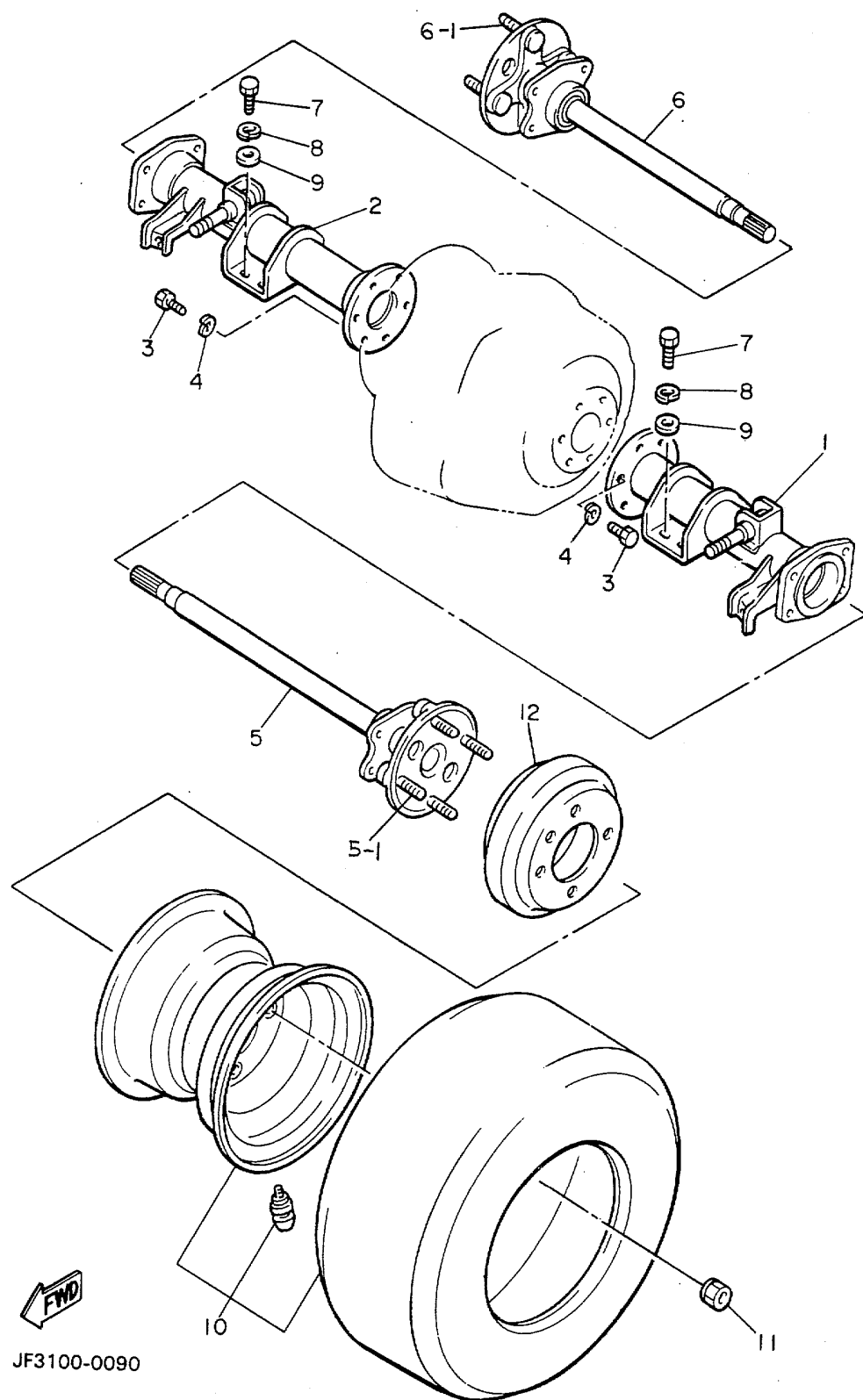
CONTINUED ON NEXT FRAME ►

TRANSMISSION 1



Ref. No.	Part Number	Description	Qty	Remarks
30	J38-46415-00-00	PINION, DIFFERENTIAL	2	
31	J38-46417-02-00	PIN, DIFFERENTIAL	1	
32	90105-08390-00	BOLT, WASHER BASED	4	
33	91812-16001-00	PIN, DOWEL	2	
34	91609-40040-00	PIN, SPRING	1	
35	835-47559-00-00	CAP 2	1	
36	JF2-46370-00-00	SHIFT ASSEMBLY	1	
37	JF2-46376-00-00	. SPRING	1	
38	90201-201L9-00	WASHER, PLAIN	1	
39	JF3-46392-00-00	BAR 1	1	
40	99009-19400-00	CIRCLIP	1	
41	90201-19551-00	WASHER, PLAIN	1	
42	JF3-46372-00-00	BRACKET, SHIFT WIRE	1	
43	97011-06016-00	BOLT	4	
44	92995-06100-00	WASHER, SPRING	4	
45	97011-10020-00	BOLT	2	
46	92901-10100-00	WASHER, SPRING	2	
47	90465-06100-00	CLAMP	1	
48	J41-46394-00-00	JOINT	1	

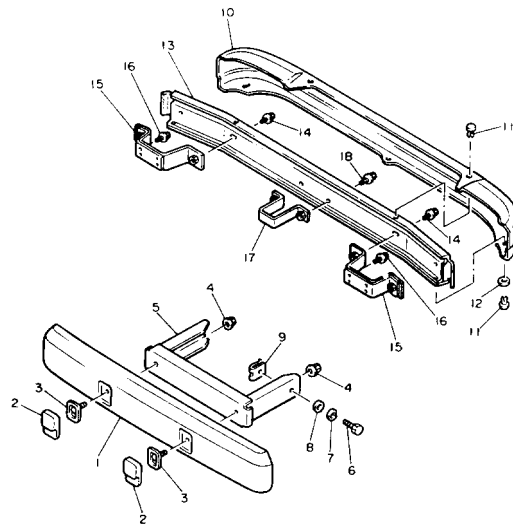
REAR AXLE - WHEEL



Ref. No.	Part Number	Description	Qty	Remarks
1	JF3-46540-01-00	R.AXLE HOUSING 1COMP	1	
2	JF3-46550-00-00	R.AXLE HOUSING 2COMP. 2	1	
3	97011-08025-00	BOLT	12	
4	92990-08100-00	WASHER	12	
5	JF3-46510-00-00	REAR AXLE SHAFT COMP.	1	
6	JF3-46520-00-00	REAR AXLE SHAFT COMP. 2	1	
7	97011-10020-00	BOLT	8	
8	92901-10100-00	WASHER, SPRING	8	
9	92990-10600-00	WASHER, PLATE	8	
10	JF2-F5100-00-00	FRONT WHEEL ASSEMBLY- 8	2	LM
11	90179-12262-00	NUT	8	
12	J55-G6521-00-00	DRUM	2	J17-46521-00
5-1	90114-12004-00	. BOLT, RIBBED NECK	4	
6-1	90114-12004-00	. BOLT, RIBBED NECK	4	

JF3100-0090

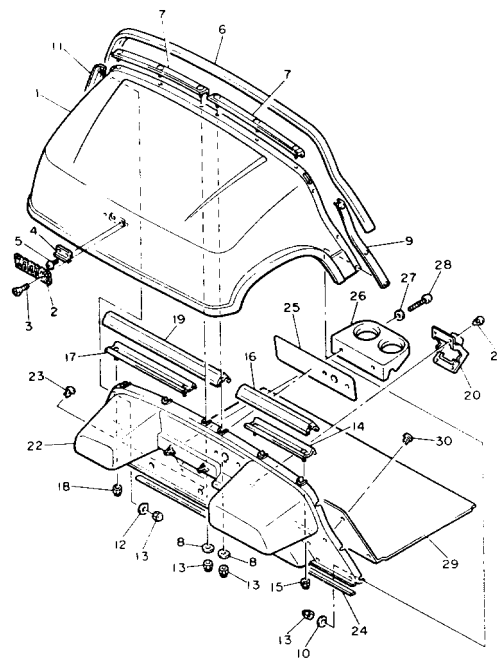
BUMPER





 JF2100-0230

Ref. No.	Part Number	Description	Qty	Remarks
1	JF2-K8163-01-00	COVER, BUMPER	1	
2	JF2-77517-00-00	CAP	2	
3	JF2-77527-00-00	PLATE, BACK UP	2	
4	95706-08500-00	NUT, flange	2	
5	JF2-K7511-00-00	BUMPER, FRONT 1	1	
6	97313-08020-00	BOLT, HEXAGON	2	
7	92990-08100-00	WASHER	2	
8	92990-08600-00	WASHER, PLATE	2	
9	JF2-77528-00-00	NUT	2	
10	JF2-K817U-00-00	COVER, REAR BUMPER	1	
11	90267-63047-00	RIVET, BLIND	5	
12	90201-063J2-00	WASHER, PLATE	2	
13	JF2-K8107-00-00	BUMPER SUB-ASSEMBLY, REAR	1	
14	95816-08016-00	BOLT, FLANGE	4	
15	JF2-K8174-00-00	STAY, REAR BUMPER	2	
16	95816-08016-00	BOLT, FLANGE	6	
17	JF2-K7521-00-00	STOPPER, 1	1	
18	95816-08016-00	BOLT, FLANGE	2	
	G8E-PARTS-BO-AR	ASSEMBLY, HARDWARE		OPTIONAL PART



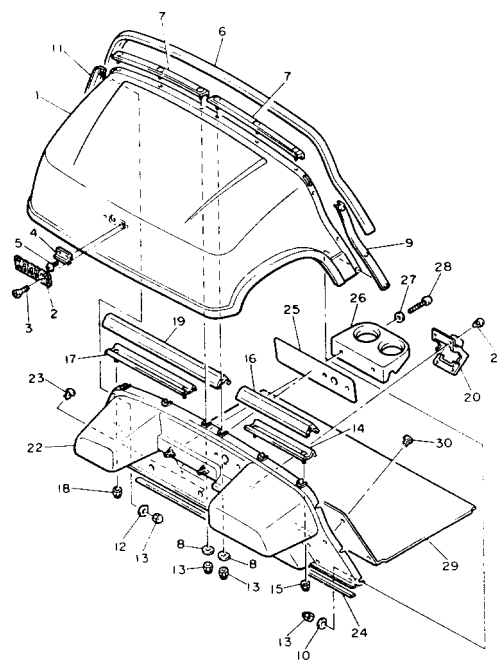
FMB
JF2100-0240

BODY

Ref. No.	Part Number	Description	Qty	Remarks
1	JF2-K8115-00-00	COWL, FRONT	1	
2	J38-24161-00-00	EMBLEM 1	1	
3	90162-04002-00	SCREW, OVAL C	2	
4	JF2-K811G-00-00	BOLT, COWL FITTING	1	
5	98980-06016-00	SCREW, BINDING	2	
6	JF2-7811V-00-00	PROTECTOR 1	1	
7	JF2-K8261-00-00	PLATE, BODY PROTECTOR ..	2	
8	JF2-78117-00-00	PLATE 1	6	
9	JF2-K8262-00-00	PLATE, BODY PROTECTOR ..	1	
10	JF2-78117-00-00	PLATE 1	3	
11	JF2-K8263-00-00	PLATE, BODY PROTECTOR ..	1	
12	JF2-78117-00-00	PLATE 1	3	
13	90176-06069-00	NUT, CROWN	12	
14	JF2-K8264-00-00	PLATE, BODY PROTECTOR ..	1	
15	95601-06100-00	NUT, U	2	
16	JF2-7811W-00-00	PROTECTOR 2	1	
17	JF2-K8265-00-00	PLATE, BODY PROTECTOR 5 .	1	
18	95601-06100-00	NUT, U	2	
19	JF2-7811X-00-00	PROTECTOR 3	1	
20	JF2-78273-00-00	COVER, HOLE	1	
21	90269-11042-00	RIVET	4	
22	JF2-K8114-00-00	PANEL, FRONT	1	
23	90269-08066-00	RIVET	3	
24	JF2-7815G-00-00	SEAL, FRONT STORAGE	1	
25	JF3-77768-00-00	LABEL, WARNING	1	
26	JF2-K835E-00-00	HOLDER, BEVERAGE	1	
27	90201-060A3-00	WASHER, PLATE	2	
28	97702-60130-00	SCREW, TAPPING	2	
29	JF2-K8233-00-00	MAT, MAIN FLOOR 3	1	

CONTINUED ON NEXT FRAME ►

BODY

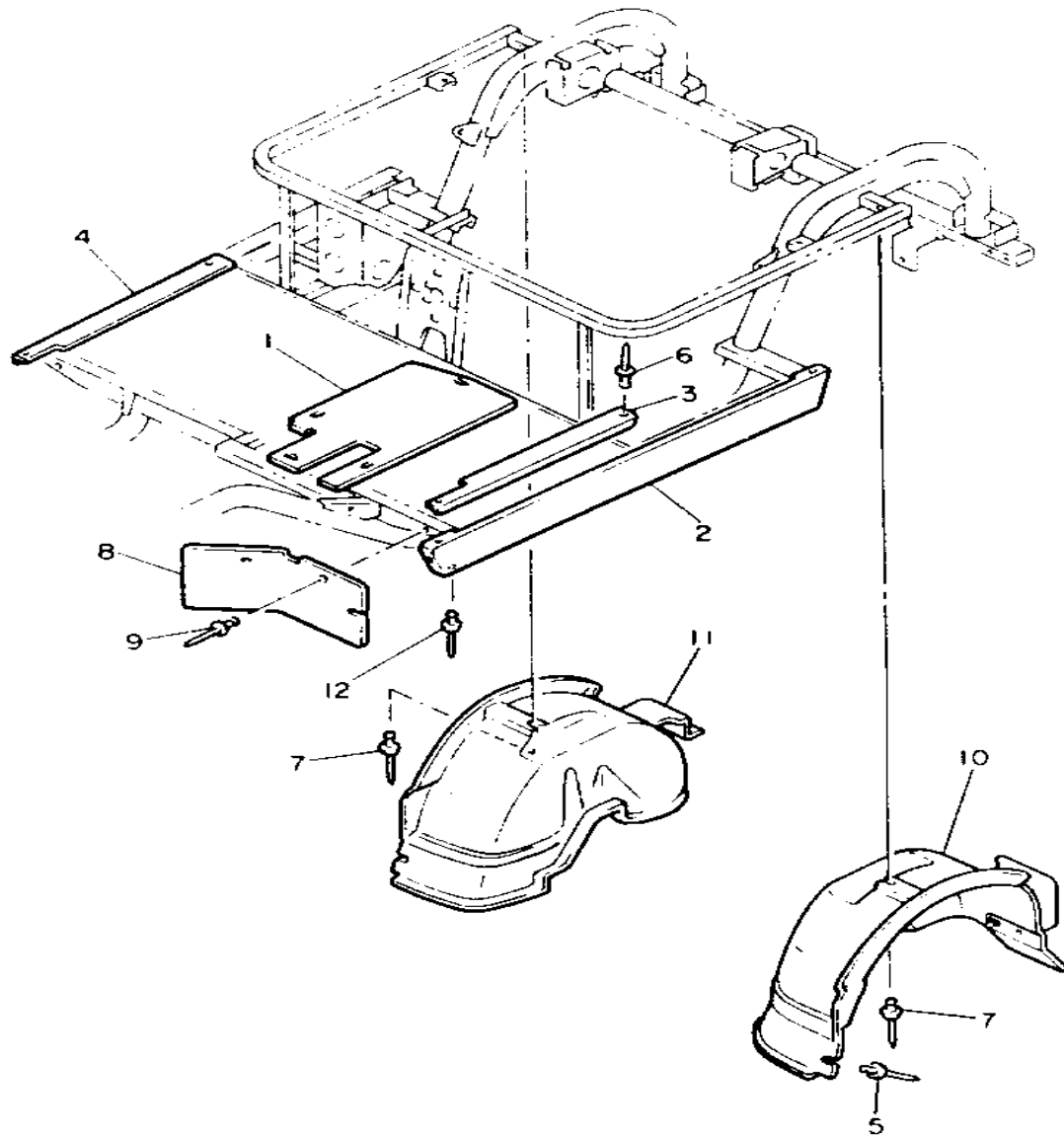


JF2100-0240

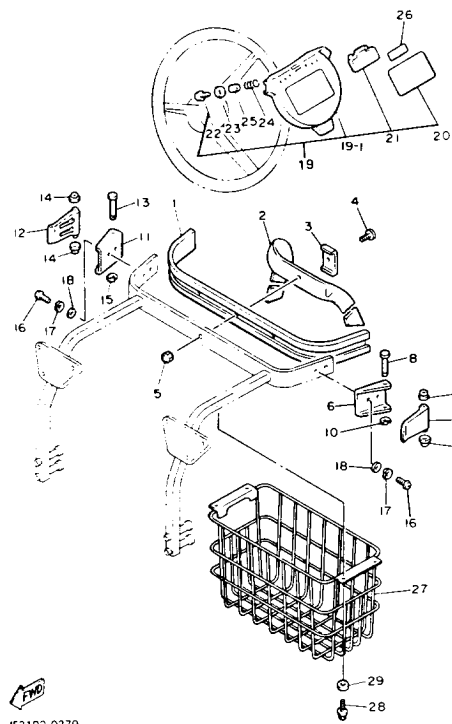
Ref. No.	Part Number	Description	Qty	Remarks
30	90267-63047-00	RIVET, BLIND	11	
	PNT-90000-K0-91	PAINT		PALE ALMOND OPTIONAL PART

BODY FITTING

Ref. No.	Part Number	Description	Qty	Remarks
1	JF2-K8271-00-00	SERVICE LID, PEDAL	1	
2	JF2-K818A-00-00	PROTECTOR, SIDE	2	
3	JF2-K8215-00-00	PLATE, SIDE TRIM	1	
4	JF2-K821F-00-00	PLATE, SIDE TRIM	1	
5	90267-48086-00	RIVET, BLIND	4	
6	90267-48154-00	RIVET, BLIND	6	
7	90267-48086-00	RIVET, BLIND	6	
8	JF2-K8187-00-00	FLAP, FRONT FENDER (L.H) ..	2	
9	90267-48101-00	RIVET, BLIND	4	
10	JF2-K8191-00-00	PANEL, REAR FENDER	1	
11	JF2-K8192-00-00	PANEL, REAR FENDER	1	
12	90267-48101-00	RIVET, BLIND	6	



JF3100-0130

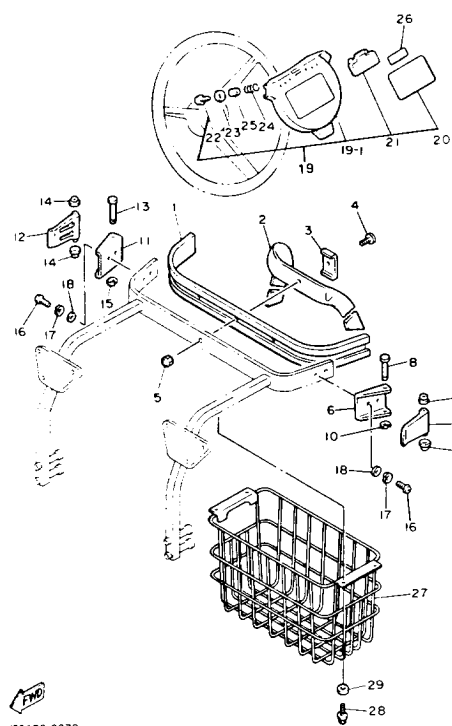


CARRIER

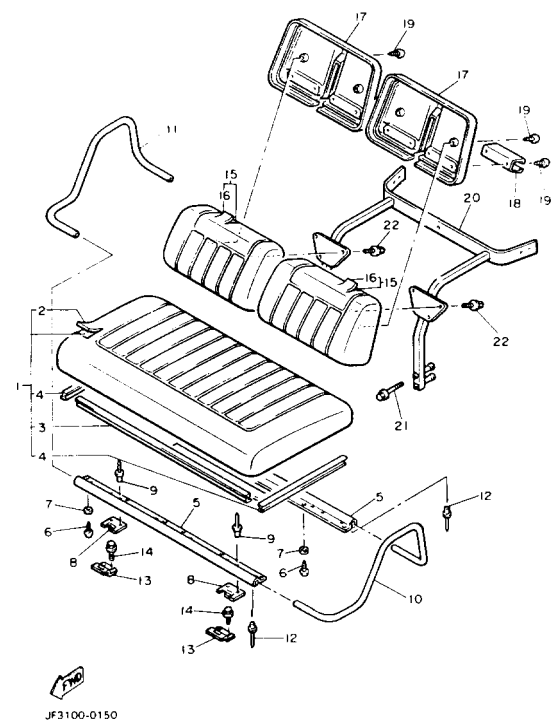
Ref. No.	Part Number	Description	Qty	Remarks
1	JF2-K8356-00-00	PAD, BAG SUPPORT	1	
2	JF2-K8355-00-00	BAND	1	
3	J38-78367-00-00	PLATE, ANCHOR	1	
4	98980-06016-00	SCREW, BINDING	1	
5	95380-06800-00	NUT	1	
6	J17-78157-01-00	BASE, LOCK	1	
7	J17-78368-01-00	LEVER, LOCK	1	
8	J17-78369-00-00	PIN, LEVER	1	
9	90386-06108-00	BUSH	2	
10	99080-05600-00	CIRCLIP	1	
11	J17-78157-01-00	BASE, LOCK	1	
12	J17-78368-01-00	LEVER, LOCK	1	
13	J17-78369-00-00	PIN, LEVER	1	
14	90386-06108-00	BUSH	2	
15	99080-05600-00	CIRCLIP	1	
16	98580-06010-00	SCREW, PAN HEAD (92503-06010)	4	
17	92995-06100-00	WASHER, SPRING	4	
18	92990-06200-00	WASHER	4	
19	JF2-K8370-00-00	HOLDER ASSEMBLY	1	
20	J50-77762-00-00	. LABEL, WARNING 2	1	
21	J55-K8358-00-00	. HOLDER 2	1	J38-78358-01
22	97706-40525-00	. SCREW, TAPPING	2	
23	90201-044A2-00	. WASHER, PLATE	2	
24	90502-10013-00	. SPRING, CONICAL	2	
25	90387-046N7-00	. COLLAR	2	
26	J51-77763-00-00	. LABEL, WARNING 3	1	
27	JF2-K8340-02-00	LUGGAGE RACK ASSEMBLY., REAR	1	

CONTINUED ON NEXT FRAME ►

CARRIER



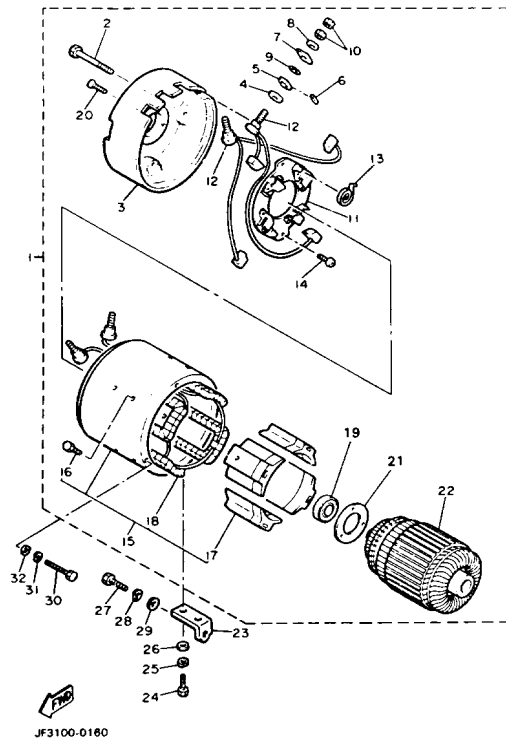
Ref. No.	Part Number	Description	Qty	Remarks
28	95805-08016-00	BOLT, FLANGE	2	
29	90201-08103-00	WASHER, PLAIN	2	
19-1	J55-K8357-00-00	. HOLDER 1	1	J38-78357-00



SEAT

Ref. No.	Part Number	Description	Qty	Remarks
1	JF2-K8401-01-00	SEAT SUB-ASSEMBLY, CUSHION	1	
2	JF2-K8404-09-00	. COVER, SEAT	1	
3	JF2-K8425-01-00	. SEAL, SEAT	1	
4	JF2-K842A-01-00	. SEAL, SEAT 2	2	
5	JF2-K8121-01-00	REINFORCEMENT 1	2	
6	97780-60125-00	SCREW, TAPPING	12	
7	90201-06M02-00	WASHER, PLATE	12	
8	JF2-K8426-00-00	HINGE, SEAT 1	2	
9	90267-48084-00	RIVET, BLIND	4	
10	JF2-K8361-01-00	ARM REST 1	1	
11	JF2-K8362-01-00	ARM REST 2	1	
12	90267-48084-00	RIVET, BLIND	8	
13	JF2-K8427-00-00	HINGE, SEAT FEMALE	2	
14	95805-06020-00	BOLT, FLANGE	4	
15	JF2-K8402-01-00	SEAT SUB ASSEMBLY, BACK	2	
16	JF2-K841G-09-00	. COVER, SEAT BACK 2	1	
17	JF2-K8413-00-00	COVER, SEAT BACK	2	
18	J55-K835A-00-00	HOLDER, BALL	2	J38-7835A-01
19	97780-60325-00	SCREW, TAPPING	12	
20	JF2-K8423-02-00	SUPPORT, SEAT BACK	1	
21	95815-08075-00	BOLT, FLANGE	4	
22	95805-06020-00	BOLT, FLANGE	6	
	G8E-PARTS-BO-AR	ASSEMBLY, HARDWARE		OPTIONAL PART

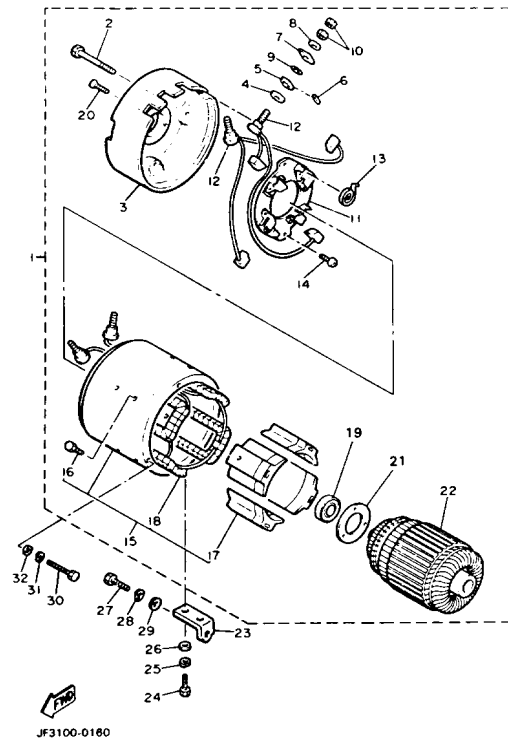
STARTING MOTOR



Ref. No.	Part Number	Description	Qty	Remarks
1	JG6-H1890-00-00	MOTOR ASSEMBLY	1	
2	J56-H1828-00-00	. BOLT 2	2	
3	J56-H1822-00-00	. BRACKET, STRTG MTR MOTOR	1	
4	J56-H1824-00-00	. WASHER 2	4	
5	J56-H182G-00-00	. BUSH, TERMINAL	4	
6	J56-H1861-00-00	. GASKET	4	
7	J56-H1843-00-00	. WASHER 1	4	
8	J56-H1894-00-00	. WASHER, SPECIAL	4	
9	J56-H1847-00-00	. O'RING	4	
10	J56-H182A-00-00	. NUT	8	
11	J56-H1840-00-00	. BRUSH HOLDER ASSEMBLY ASS'Y	1	
12	J56-H1801-00-00	. BRUSH SET	2	
13	J56-H1813-00-00	. SPRING, BRUSH 1	4	
14	J56-H1848-00-00	. SCREW, BRUSH HOLDER ...	4	
15	φJ5-6H181-00-00	. UNAVAILABLE IN PRICE BOOK	1	
16	J56-H1826-00-00	. . BOLT	8	
17	J56-H135G-00-00	. . POLE PIECE	4	
18	J56-H1160-00-00	. . FIELD COIL ASSEMBLY ...	1	
19	J56-H1856-00-00	. RETAINER	1	
20	J56-H1846-00-00	. SCREW	3	
21	J56-H1857-00-00	. RETAINER	1	
22	J56-H1850-00-00	. ARMATURE	1	
23	J14-81823-01-00	STAY, STARTING MTR (J14-81823-00)	1	
24	97011-06016-00	BOLT	2	
25	92995-06100-00	WASHER, SPRING	2	
26	92990-06600-00	WASHER, PLATE	2	

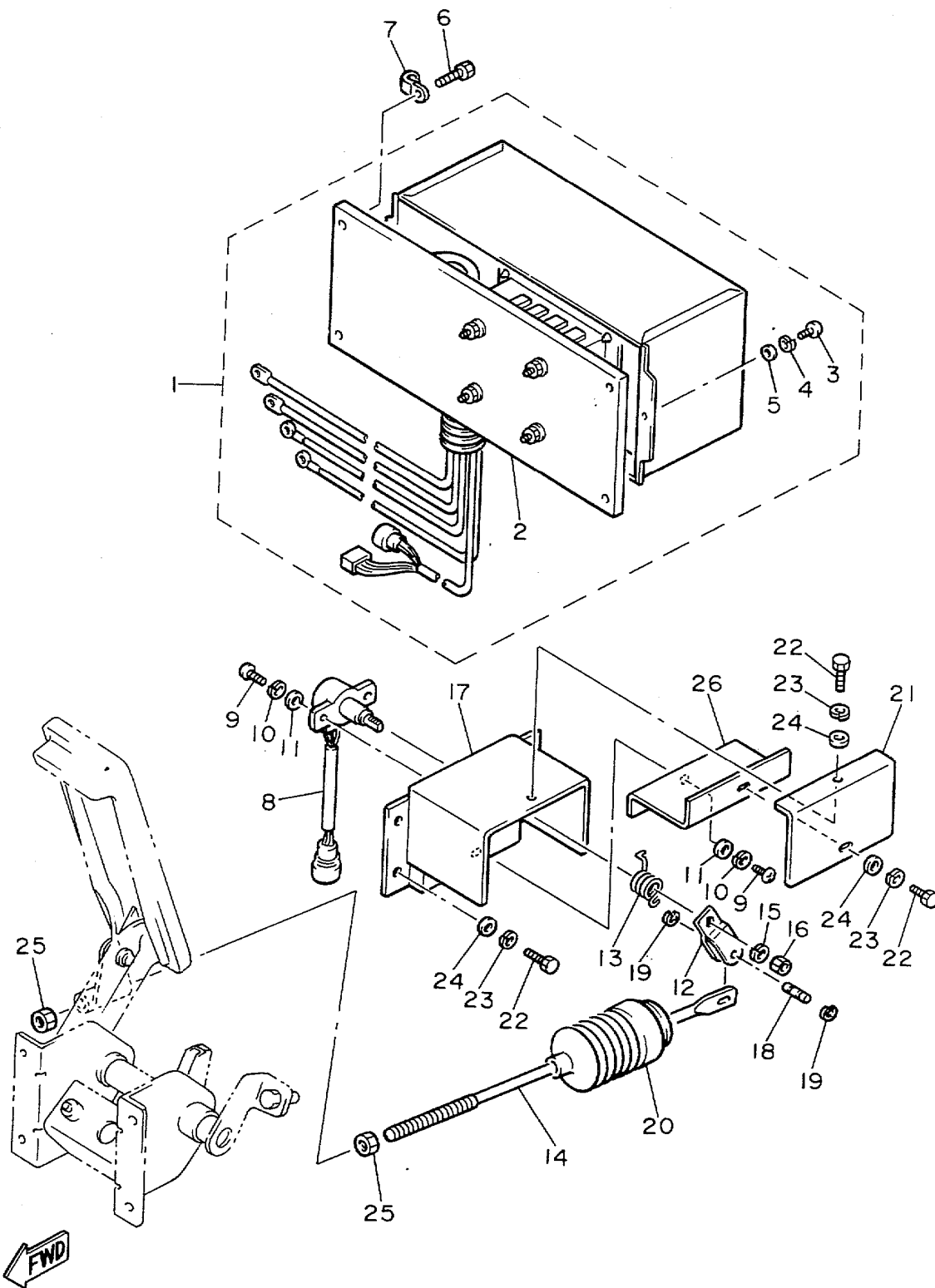
CONTINUED ON NEXT FRAME ►

STARTING MOTOR



Ref. No.	Part Number	Description	Qty	Remarks
27	97011-08016-00	BOLT	1	
28	92990-08100-00	WASHER	1	
29	92990-08600-00	WASHER, PLATE	1	
30	97313-06055-00	BOLT, HEXAGON (97322-06055)	3	
31	92995-06100-00	WASHER, SPRING	3	
32	90201-06643-00	WASHER, PLATE	3	

CONTROLLER 1



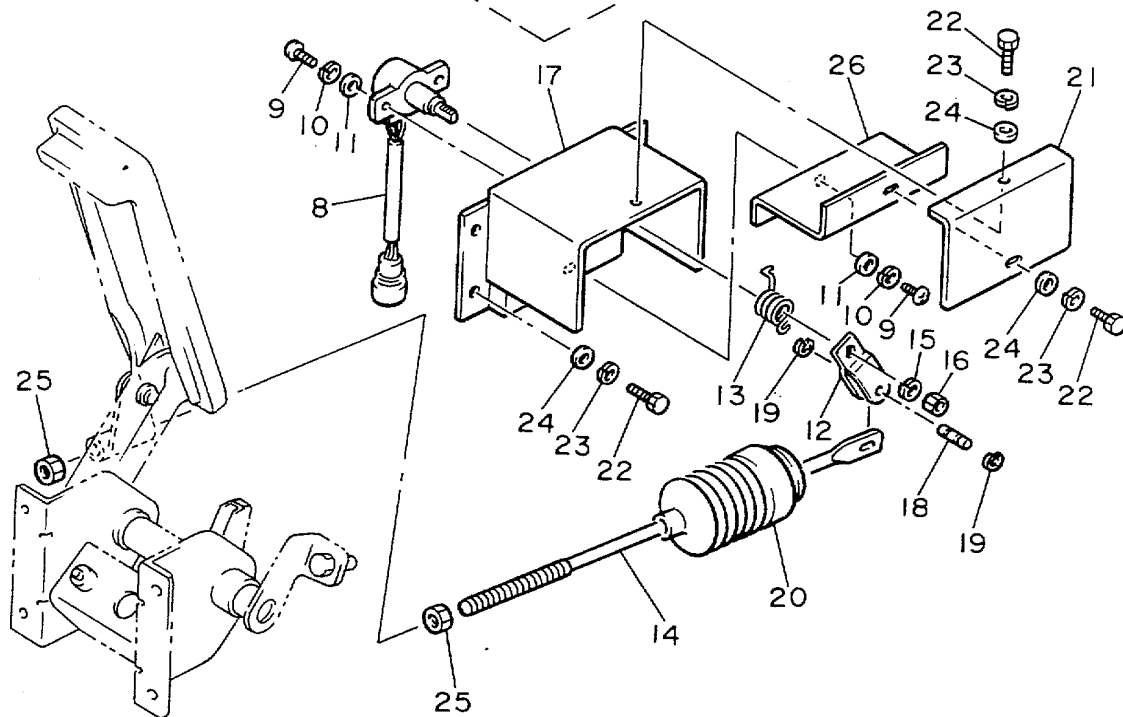
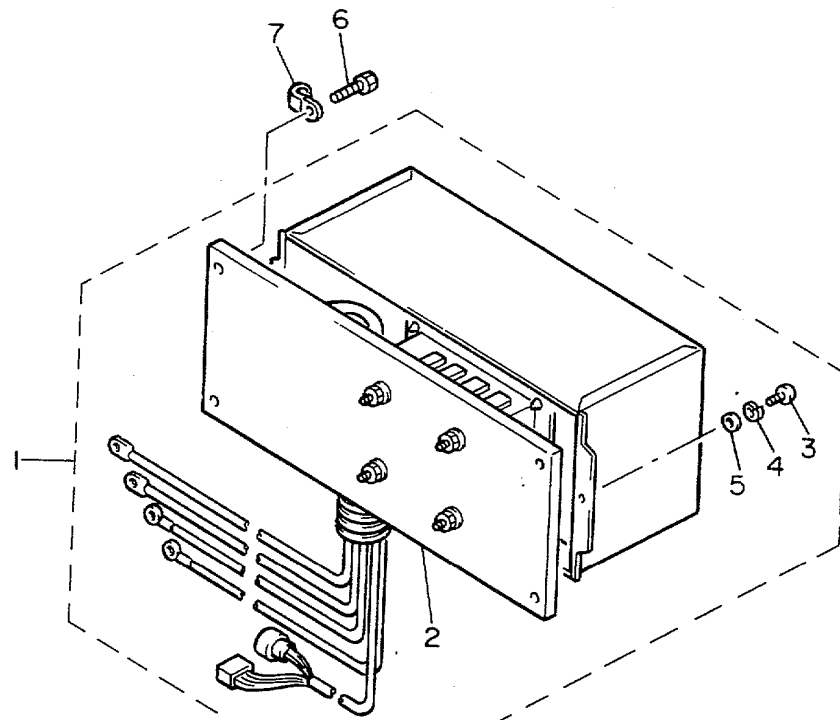
JF3100-0170

Ref. No.	Part Number	Description	Qty	Remarks
1	99999-02302-00	MOTOR CONTROL ASSEMBLY. (JF3-86510-10)	1	
	JF3-83383-02-00	. BUZZER	1	
	JF3-86510-11-00	. MOTER CONTROL UNIT ASSEMBLY	1	
	ϕJF-38230-90-90	. WIRE, SUB LEAD	1	
	ϕJF-38393-60-90	. BAND, SWITCH CORD	1	
	ϕJF-38652-70-90	. WIRE 7	1	
2	ϕJF-38650-10-10	. MOTOR CONTROL UNIT	1	
3	98501-05018-00	. SCREW, PAN HEAD	3	
4	92990-05100-00	. WASHER, SPRING	3	
5	92901-05600-00	. WASHER, PLATE	3	
6	95023-06016-00	BOLT	4	
7	90465-06038-00	CLAMP	1	
8	JF3-85885-01-00	THROTTLE SENSOR ASS'Y	1	
9	98501-05016-00	SCREW, PAN HEAD	3	
10	92990-05100-00	WASHER, SPRING	3	
11	92901-05600-00	WASHER, PLATE	3	
12	JF3-2625H-00-00	ARM, THROTTLE	1	
13	JF3-27825-00-00	SPRING, RETURN	1	
14	JF3-27241-00-00	ROD, JOINT	1	
15	92990-06100-00	WASHER, SPRING	1	
16	95380-06600-00	NUT	1	
17	JF3-27981-00-00	BRACKET, THROTTLE	1	
18	JF3-27813-00-00	PIN, PEDAL CRANK	1	
19	99080-04600-00	CIRCLIP (E)	2	
20	JF3-27486-00-00	COVER 1	1	
21	JF3-27487-00-00	COVER 2	1	
22	97001-05016-00	BOLT (97002-05016-00)	6	

CONTINUED ON NEXT FRAME ►

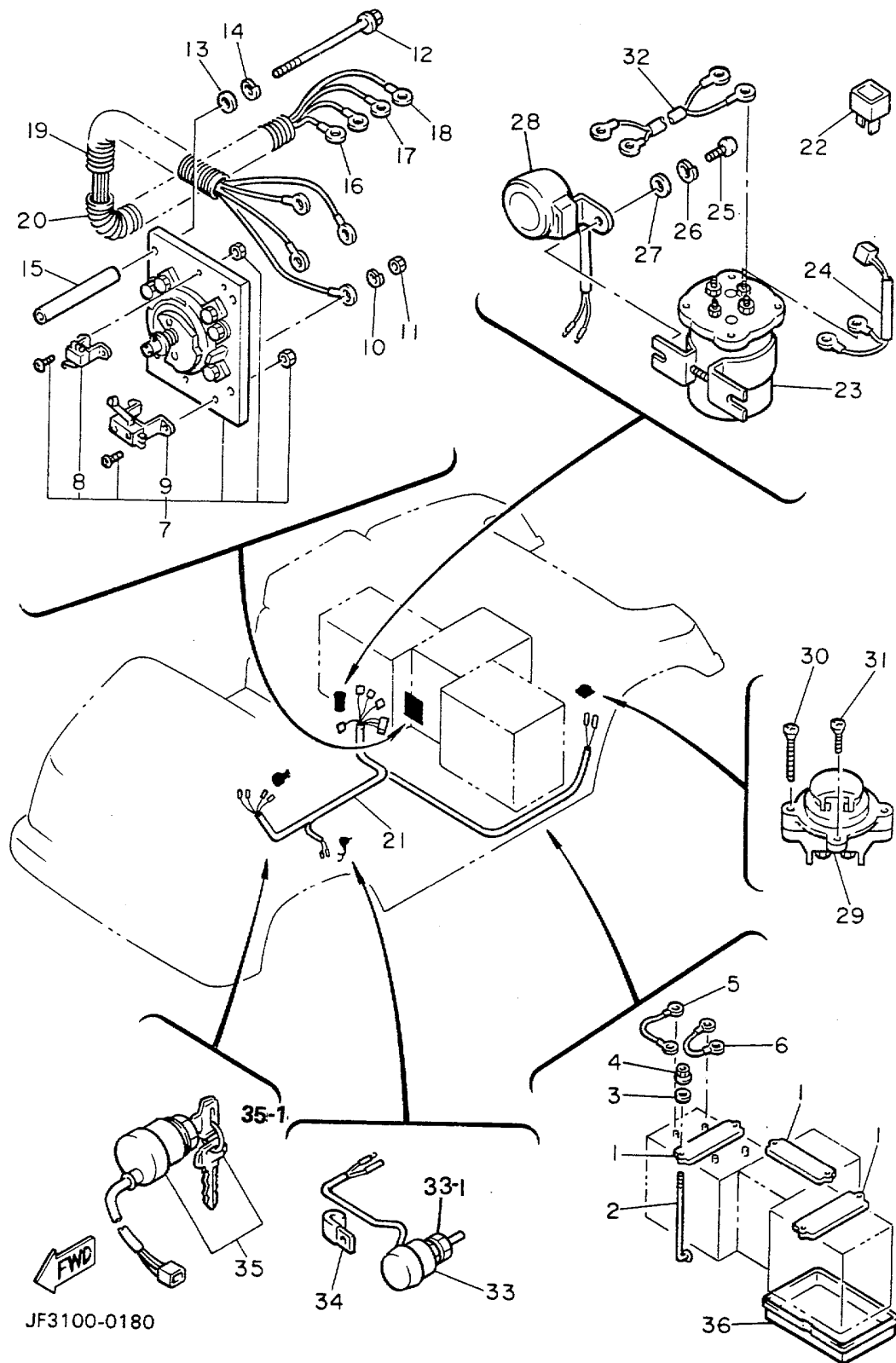
CONTROLLER 1

Ref. No.	Part Number	Description	Qty	Remarks
23	92990-05100-00	WASHER, SPRING	6	
24	92901-05600-00	WASHER, PLATE	6	
25	95303-08700-00	NUT	2	
26	JF3-27445-00-00	PLATE 1	1	



JF3100-0170

ELECTRICAL 1

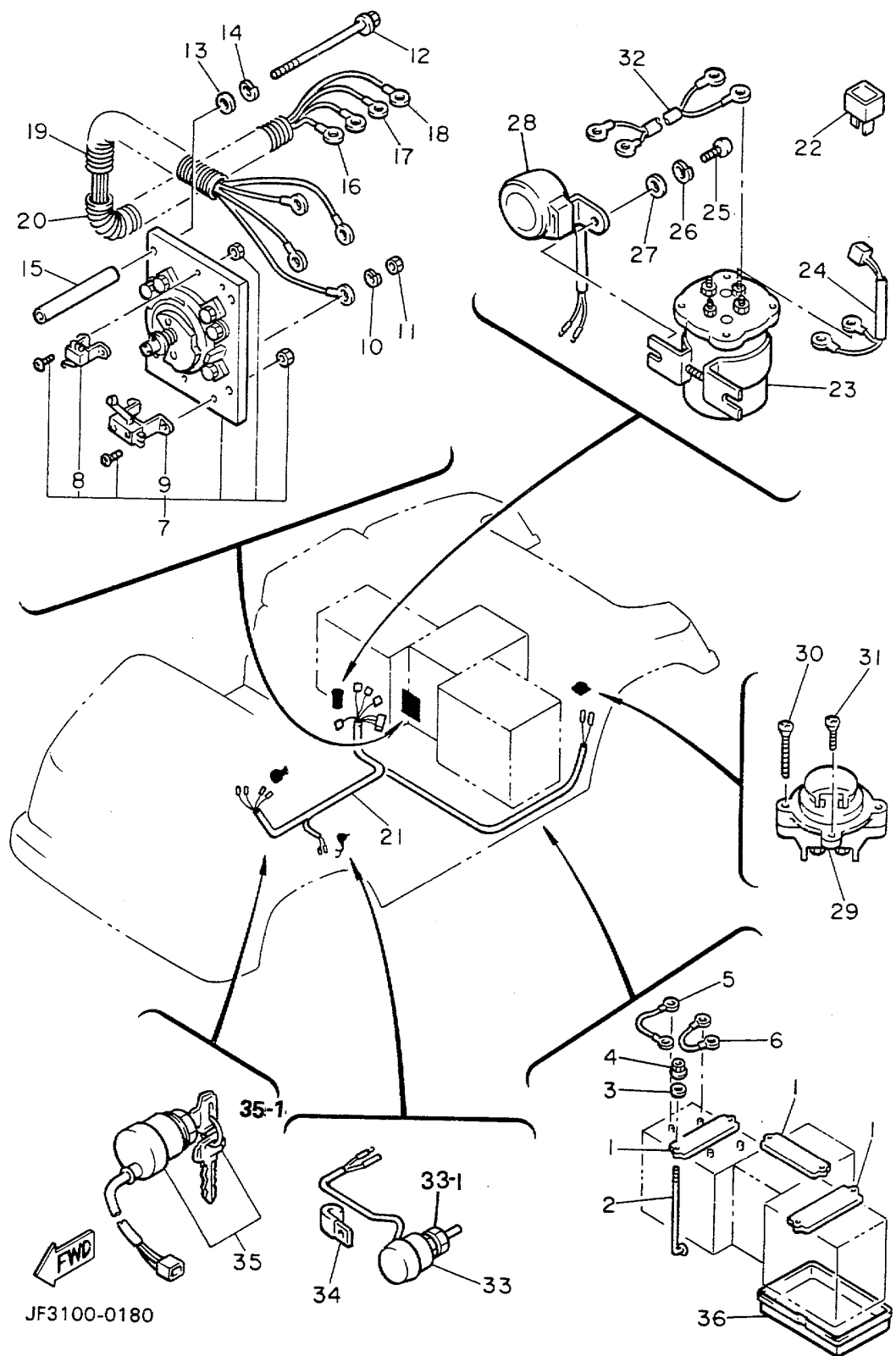


Ref. No.	Part Number	Description	Qty	Remarks
1	JF3-H2136-00-00	PLATE, BATTERY	3	
2	JF3-82133-00-00	SCREW, FITTING	6	
3	90201-065G8-00	WASHER, PLATE	6	
4	95701-06500-00	NUT, FLANGE	6	
5	J51-H2115-00-00	WIRE, PLUS LEAD	1	
6	J51-H2127-00-00	WIRE, LEAD 2	5	
7	JF3-82917-01-00	SWITCH	1	
8	J41-82617-00-00	. SWITCH	1	
9	J41-82817-00-00	. MICRO SWITCH	1	
10	92995-06100-00	WASHER, SPRING	4	
11	95380-06600-00	NUT	4	
12	97002-06100-00	BOLT	4	
13	92990-06200-00	WASHER	4	
14	92995-06100-00	WASHER, SPRING	4	
15	90387-061W6-00	COLLAR	4	
16	JF3-H2521-00-00	WIRE, LEAD	1	
17	JF3-H2531-00-00	WIRE, LEAD	1	
18	JF3-H6171-00-00	WIR, LEAD 1	1	
19	JF3-H7196-00-00	TUBE 1	1	
20	JF3-H7197-00-00	TUBE 2	1	
21	JF3-82590-00-00	WIRE HARNESS ASS'Y	1	
22	J44-81980-60-00	DIODE	2	
23	JF3-H1950-00-00	RELAY ASSEMBLY	1	
24	JF2-82105-00-00	WIRE HARNESS	1	
25	98502-06016-00	SCREW, PAN HEAD (98501-06014-00)	2	
26	92995-06100-00	WASHER, SPRING	2	
27	92990-06600-00	WASHER, PLATE	2	
28	JF3-83383-02-00	BUZZER	1	

CONTINUED ON NEXT FRAME ►

JF3100-0180

ELECTRICAL 1



Ref. No.	Part Number	Description	Qty	Remarks
29	JF3-86181-00-00	RECEPTACLE	1	
30	98706-05035-00	SCREW, FLAT HEAD	2	
31	98706-05016-00	SCREW, FLAT HEAD	2	
32	JF3-82105-00-00	WIRE HARNESS	1	
33	J41-82550-00-00	STOP SWITCH ASSEMBLY	1	
34	90465-06038-00	CLAMP	1	
35	J55-82510-00-00	MAIN SWITCH ASSEMBLY	1	
36	G8E-PARTS-BO-AR	ASSEMBLY, HARDWARE	1	OPTIONAL PART
	J56-H2123-00-00	SEAT, BATTERY	1	
33-1	JF2-82532-00-00	. CAP, RUBBER	1	
35-1	J17-82511-20-00	. KEY, MAIN SWITCH	1	

JF3100-0180

TECHNICAL BULLETIN

TECHNICAL BULLETIN

GOLF CAR DAY 8 8 91 No. G91-004

G8EF,G FRONT SHOCK ABSORBER EXCHANGE AND TOE-IN ADJUSTMENT

INTRODUCTION

PROBLEM: When operated on paved or concrete cart paths, some G8E golf cars may experience rapid or uneven front tire wear.

CAUSE: The single rate springs used on the front shock absorbers allow the ride height to

change drastically with load variations, which alters the front end alignment.

REMEDY: Replace the front shock absorbers with new shock absorbers with dual-rate springs and adjust the toe-in to the new specification.

DEALER ACTION SUMMARY

REPAIR:
NEW UNITS: During pre-delivery, any affected unit in your inventory before July 15, 1991.

PARTS REQUIRED: Yes
WARRANTY: Service-Per-Bulletin

IN-USE UNITS: Any in-use affected units which exhibit uneven or rapid tire wear when used under the above mentioned conditions.

AFFECTED UNITS

Any unit in your inventory or in use before July 15, 1991 which falls in the following range:

G8EF JF3-000101 - 009999
G8EG JF3-100101 - 103800

NOTE: All new G8E units received from Yamaha after July 15, 1991, whether in the affected range or not, already have the new front shock absorbers with dual-rate springs installed and the correct toe-in adjustment. These units require no repair. See illus. D.

SERVICE PROCEDURES

1. Check tire pressure. The correct pressure is 16psi.
2. Remove and replace the front shock absorbers. Follow the procedures in the Service Manual.
3. Proceed with the toe-in adjustment. From the rear, push the empty car forward for a minimum of 20 ft. to stabilize the suspension.
4. Coast to a stop making sure the front wheels are pointed straight ahead. Make sure the car is on a level surface.

NOTE: Do not push the car backward or apply the brakes to stop. Either one will change the ride height and toe-in.

ILLUSTRATION A



5. Place the Kent-Moore Toe Measuring Gauge (special tool number YC-39526) between the inner sidewalls of the front tires approximately 2 1/4 in. (60mm) behind the face of the front tire as shown in Illustration A. The height indicator chains should just touch the floor evenly on each side. Gently swing the toe gauge to seat the pointers.

6. Zero the scale on the gauge by sliding the moveable scale so the pointer is at 0. See Illustration B.

7. With the gauge in place, roll the car forward 1/2 turn of the wheels. See Illustration C. Watch carefully so that the toe gauge does not contact the steering arm. The height indicator chains should again just touch the floor.

NOTE: Move the car by pushing from the rear, or pulling directly forward on the front bumper. Make sure that the front of the car is not lifted or pushed down. The toe-in measurements will not be accurate if the suspension is compressed by weight or extended by lifting.

8. The scale on the gauge will indicate the amount of toe-in or toe-out. The specifications for toe-in adjustment are as follows:

For units with the new dual-rate shock absorber:
7/16 ± 3/16 in. (11 ± 5mm)

9. Remove the toe-in gauge.

NOTE: These specifications replace those in the service manual. Correct your service manual using these specifications.

Adjustment

10. Loosen the two adjustment locknuts on the ends of the left and right tie rods.

NOTE: The locknuts closest to the wheels are left-hand threads and are loosened by turning them clockwise.

11. Adjust each tie rod equally until the toe-in is correct. Shortening the tie rod causes less toe-in.

ILLUSTRATION B

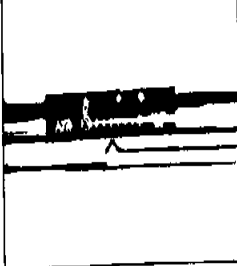
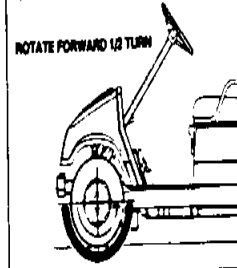


ILLUSTRATION C



12. Tighten the locknuts and torque to 4.8 m·kg (35 ft·lbs).

NOTE: Failure to follow each of the steps in this bulletin will cause unsatisfactory results.

13. Check the toe-in again by repeating steps 3 through 9. Repeat steps 10-12 if the toe-in is still out of specification.

14. Test drive the car to check for proper operation.

NOTE: If an in-use unit has not exhibited uneven or rapid tire wear, replacement of the shock absorbers is not necessary. The specification for toe-in adjustment for units with the original single-rate shock absorbers is 1 ± 3/16 in. (25 ± 5mm).

GOLF CAR DAY 8 8 91 No. G91-004

PARTS INFORMATION

Part Number	Description	Remarks	Dealer Cost
JF3-2350-01-00	Shock Absorber Assy	Qty 2 Req'd	\$30.00 Each

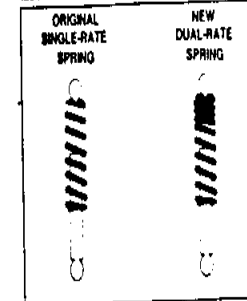
The original shock absorber has a single-rate spring. The new shock absorber uses a dual-rate spring. For help in identifying each type shock absorber, refer to the following illustration.

Ordering Information

Shock absorbers may be ordered with 90 day deferred billing by request with a phone order to your primary Yamaha Parts and Accessories warehouse.

Atlanta, GA (404) 696-3980
Cudahy, WI (414) 769-6100
Cypress, CA (714) 761-7766 or 761-7767

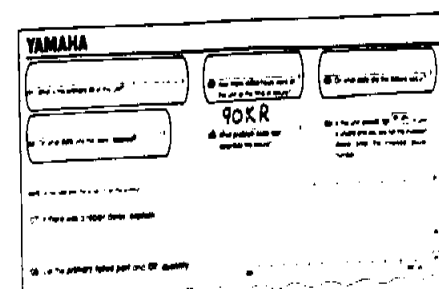
ILLUSTRATION D



WARRANTY INFORMATION

The warranty labor allowance for this procedure is 0.8 hours. The problem code is 90KR. To receive credit for the shock absorbers and labor, submit a warranty request following standard Service-Per-Bulletin procedures. Before replacing excessively worn tires on in-use

units, contact your Regional Service Representative. As with all warranty repairs, tag and hold the original parts that were removed for 90 days from the date you submit the warranty request.



CONTENTS

ACCELERATOR	B-4
BODY	B-9,10
BODY 2	B-11
BODY - FITTING	B-12
BRAKE	A-11- B-1
BRAKE 2	B-2
BRAKE 3	B-3
BUMPER	B-8
CARRIER	C-1,2
CONTROLLER 1	D-3,4
ELECTRICAL 1	D-5,6
FRAME	A-6
FRT. SUSPENSION - WHEEL	A-7,8
REAR AXLE - WHEEL	B-7
REAR SHOCKS	A-5
SEAT	C-3
SERVICE DATA	J-ROW
STARTING MOTOR	D-1,2
STEERING	A-9,10
TECHNICAL BULLETINS	K-ROW
TRANSMISSION 1	B-5,6