



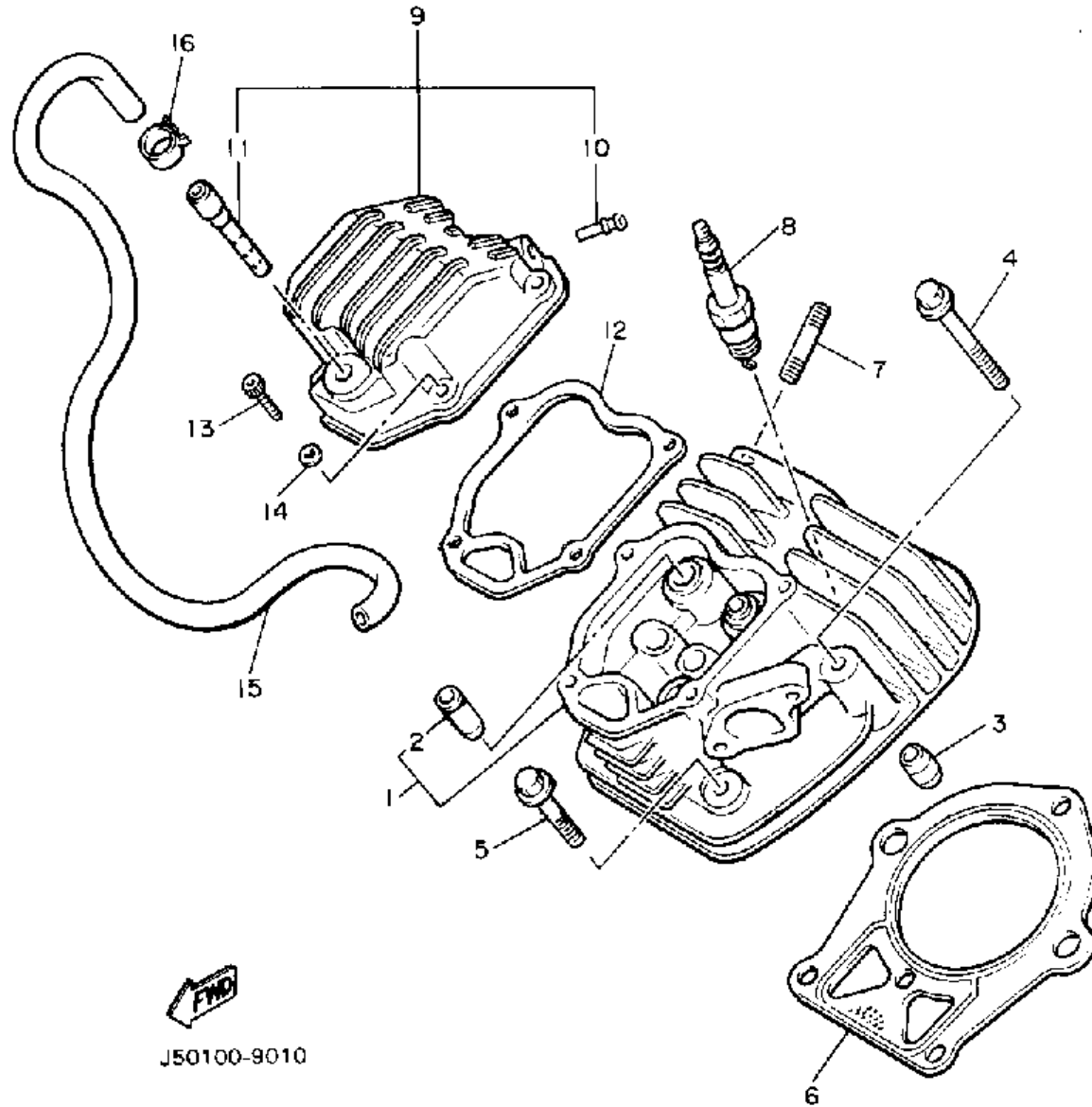
YAMAHA

GENUINE

PARTS CATALOGUE

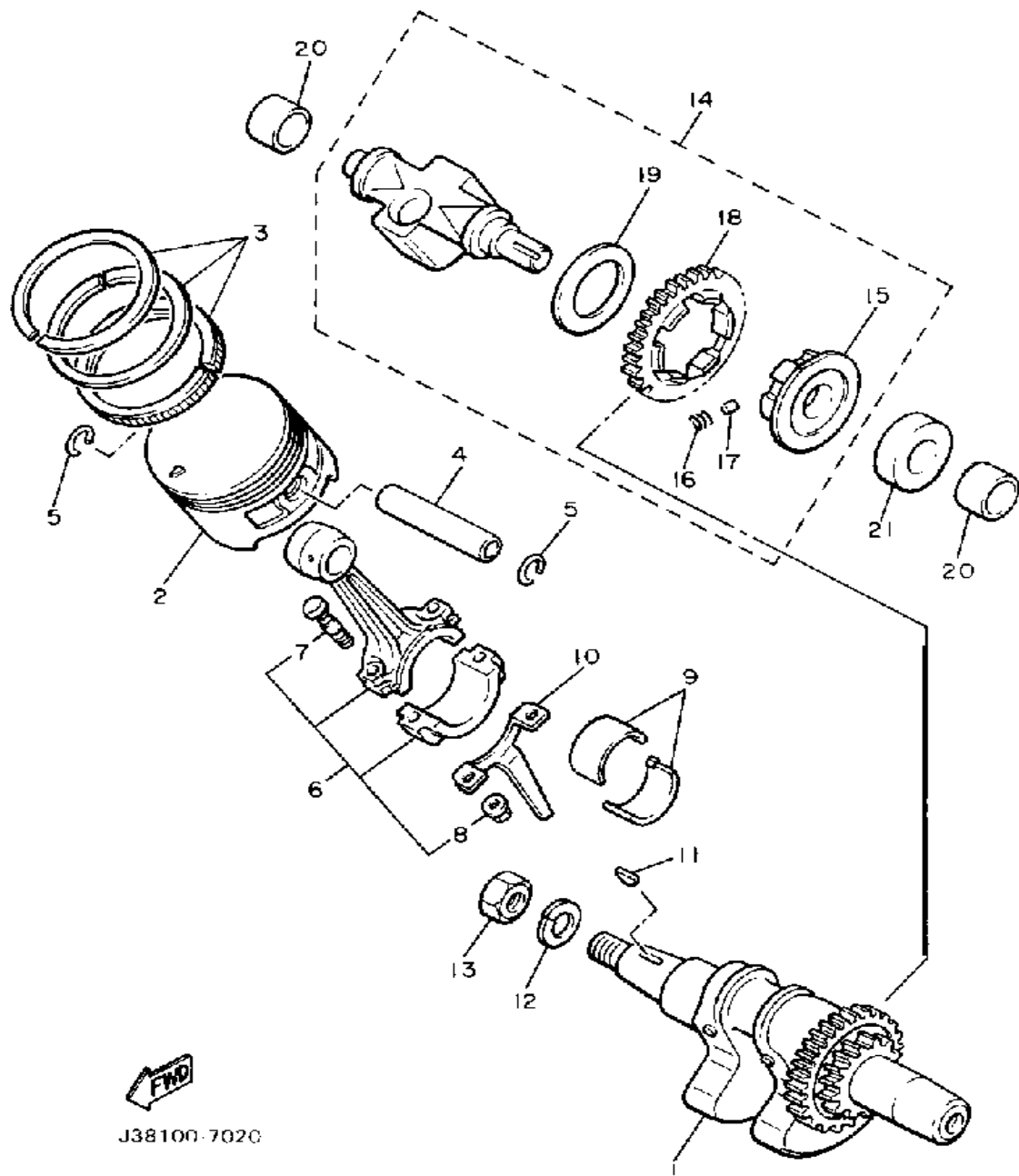
GOLF CAR

CYLINDER



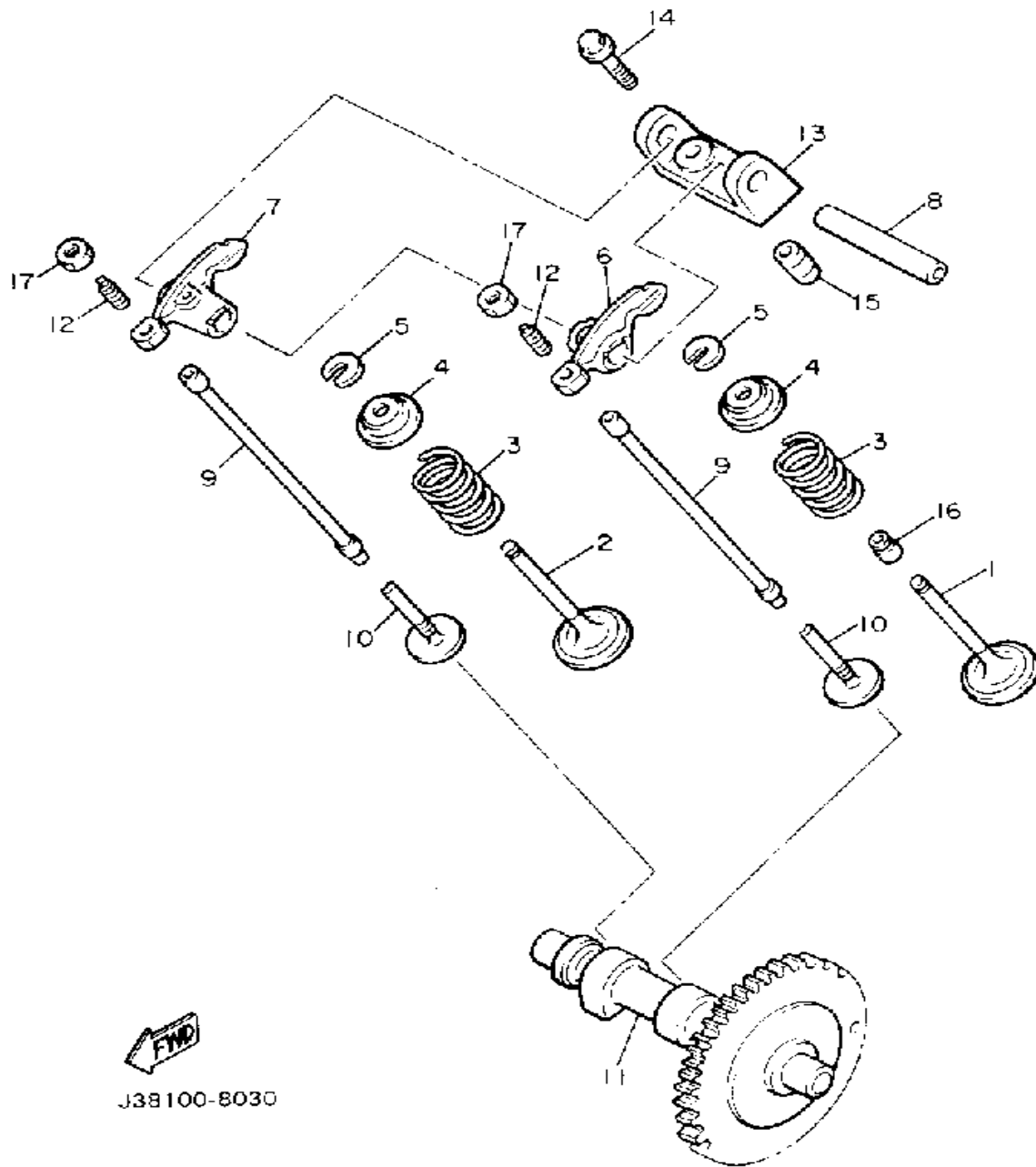
| Ref. No. | Part Number | Description | Qty | Remarks |
|----------|-----------------|-------------------------|-----|---------|
| 1 | J38-11102-00-00 | CYLINDER HEAD ASSEMBLY | 1 | |
| 2 | J38-11133-09-00 | . GUIDE, INTAKE VALVE | 2 | |
| 3 | 99510-12016-00 | PIN, DOWEL | 2 | |
| 4 | 95811-08070-00 | BOLT, FLANGE | 3 | |
| 5 | 95811-08045-00 | BOLT, FLANGE (JN5) | 3 | |
| 6 | J38-11181-00-00 | GASKET, CYLINDER HEAD 1 | 1 | |
| 7 | 95612-08618-00 | BOLT, STUD | 2 | |
| 8 | NGK-B4ES0-00-00 | NGK B4ES 10PK | 1 | |
| 9 | J38-11191-00-00 | COVER, CYLINDER HEAD 1 | 1 | |
| 10 | J38-11116-00-00 | . JOINT, BREATHER | 2 | |
| 11 | J38-24461-00-00 | . PIPE, JOINT | 1 | |
| 12 | J38-11193-01-00 | GASKET, HEAD COVER 1 | 1 | |
| 13 | 91316-06025-00 | BOLT | 4 | |
| 14 | 92990-06600-00 | WASHER, PLATE | 4 | |
| 15 | 90445-130F8-00 | HOSE | 1 | |
| 16 | 90467-12052-00 | CLIP | 2 | |

CRANKSHAFT - PISTON



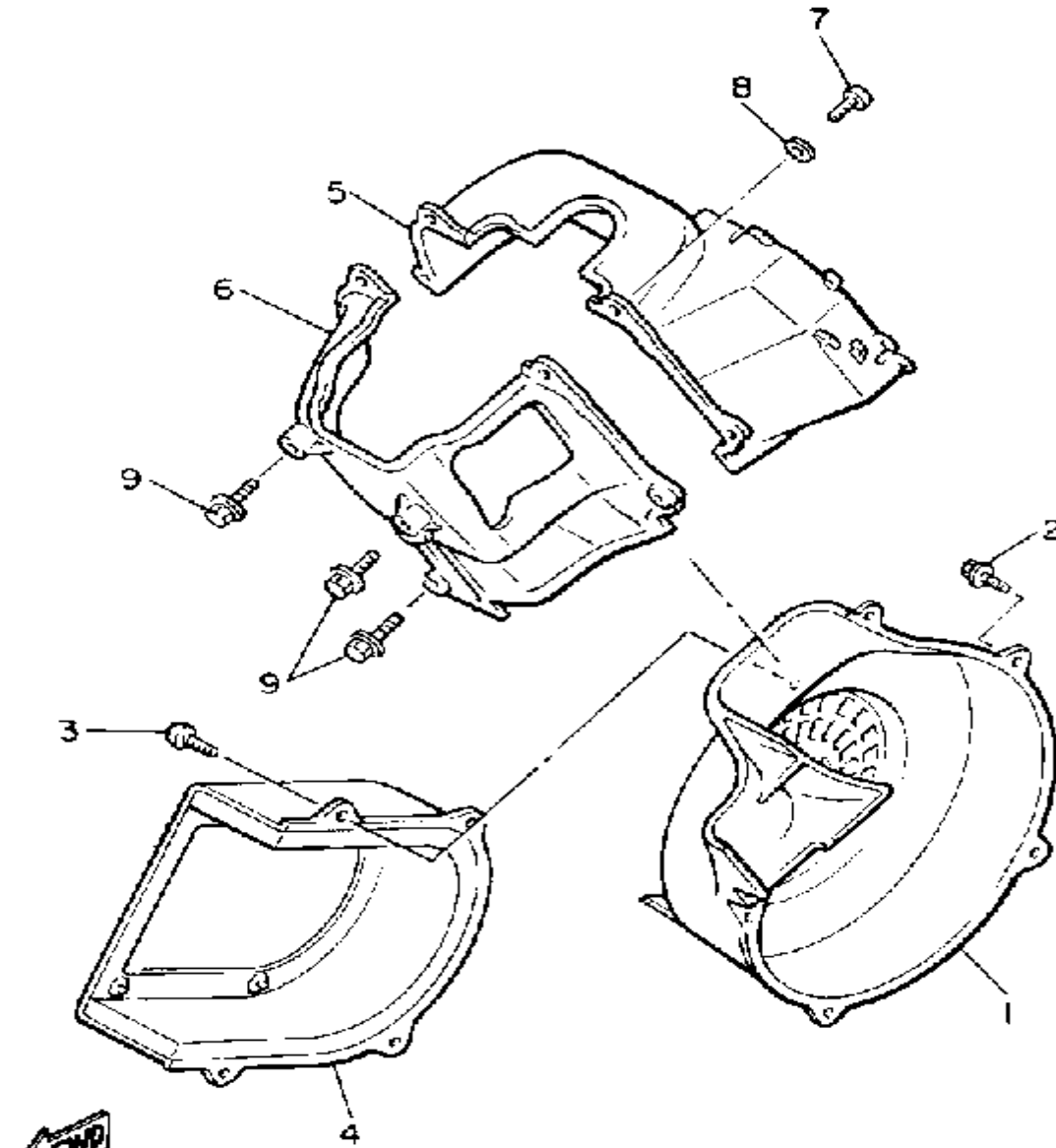
| Ref. No. | Part Number | Description | Qty | Remarks |
|----------|-----------------|------------------------------------|-----|-----------|
| 1 | J38-11400-00-00 | CRANKSHAFT ASSEMBLY ... | 1 | |
| 2 | J38-11631-01-A0 | PISTON (STD) | 1 | |
| | J38-11635-01-00 | PISTON (0.25MM O/S) | 1 | AP |
| | J38-11636-01-00 | PISTON (0.50MM O/S) | 1 | AP |
| 3 | J38-11610-00-00 | PISTON RING SET (STD) | 1 | |
| | J38-11610-10-00 | PISTON RING SET (0.25MM O/S) | 1 | AP |
| | J38-11610-20-00 | PISTON RING SET (0.50MM O/S) | 1 | AP |
| 4 | 7A9-11633-00-00 | PIN, PISTON | 1 | |
| 5 | 93450-19047-00 | CIRCLIP | 2 | |
| 6 | J38-11650-00-00 | CONNECTING ROD ASSEMBLY | 1 | |
| 7 | J38-11654-00-00 | . BOLT, CONNECTING ROD .. | 2 | |
| 8 | 90179-08327-00 | . NUT | 2 | |
| 9 | J38-11656-00-00 | BEARING, CON-ROD | 2 | UR (BRN) |
| | J38-11656-10-00 | BEARING, CON-ROD | 2 | UR (BLK) |
| | J38-11656-20-00 | BEARING, CON-ROD | 2 | UR (BLUE) |
| 10 | J38-11657-00-00 | SPLASHER, OIL | 1 | |
| 11 | 90280-16053-00 | KEY, WOODRUFF | 1 | |
| 12 | 92901-16100-00 | WASHER, SPRING | 1 | |
| 13 | 90170-16182-00 | NUT | 1 | |
| 14 | J38-11500-00-00 | BALANCER ASSEMBLY | 1 | |
| 15 | J38-11496-00-00 | . BOSS, BUFFER | 1 | |
| 16 | 90501-21133-00 | . SPRING, COMPRESSION | 6 | |
| 17 | 93605-10090-00 | . PIN, DOWEL | 3 | |
| 18 | J38-11531-00-00 | . GEAR, BALANCE WT | 1 | |
| 19 | 90201-201G9-00 | . WASHER, PLATE | 1 | |
| 20 | 90387-155R3-00 | COLLAR | 2 | |
| 21 | 90387-152M7-00 | COLLAR | 1 | |

CAMSHAFT - VALVE



| Ref. No. | Part Number | Description | Qty | Remarks |
|----------|-----------------|---------------------------|-----|---------|
| 1 | J38-12111-01-00 | VALVE, INTAKE | 1 | |
| 2 | J38-12121-01-00 | VALVE, EXHAUST | 1 | |
| 3 | 90501-264A9-00 | SPRING, COMPRESSION | 2 | |
| 4 | J38-12117-01-00 | RETAINER, VALVE SPRING .. | 2 | |
| 5 | J38-12118-00-00 | COTTER, VALVE | 2 | |
| 6 | J38-12151-01-00 | ARM, VALVE ROCKER | 1 | |
| 7 | J38-12161-01-00 | ARM, VALVE ROCKER 2 | 1 | |
| 8 | J38-12156-00-00 | SHAFT, ROCKER 2 | 1 | |
| 9 | J38-12154-00-00 | ROD, VALVE PUSH | 2 | |
| 10 | J38-12153-00-00 | LIFTER, VALVE | 2 | |
| 11 | J38-12171-00-00 | CAMSHAFT 1 | 1 | |
| 12 | J38-12159-00-00 | SCREW, VALVE ADJUSTING .. | 2 | |
| 13 | J38-12152-00-00 | SUPPORT, ROCKER ARM | 1 | |
| 14 | 95811-06030-00 | BOLT, FLANGE | 2 | |
| 15 | 91810-09014-00 | PIN, DOWEL | 2 | |
| 16 | 5H0-12119-00-00 | SEAL, VALVE STEM | 1 | |
| 17 | 90170-06128-00 | NUT | 2 | |

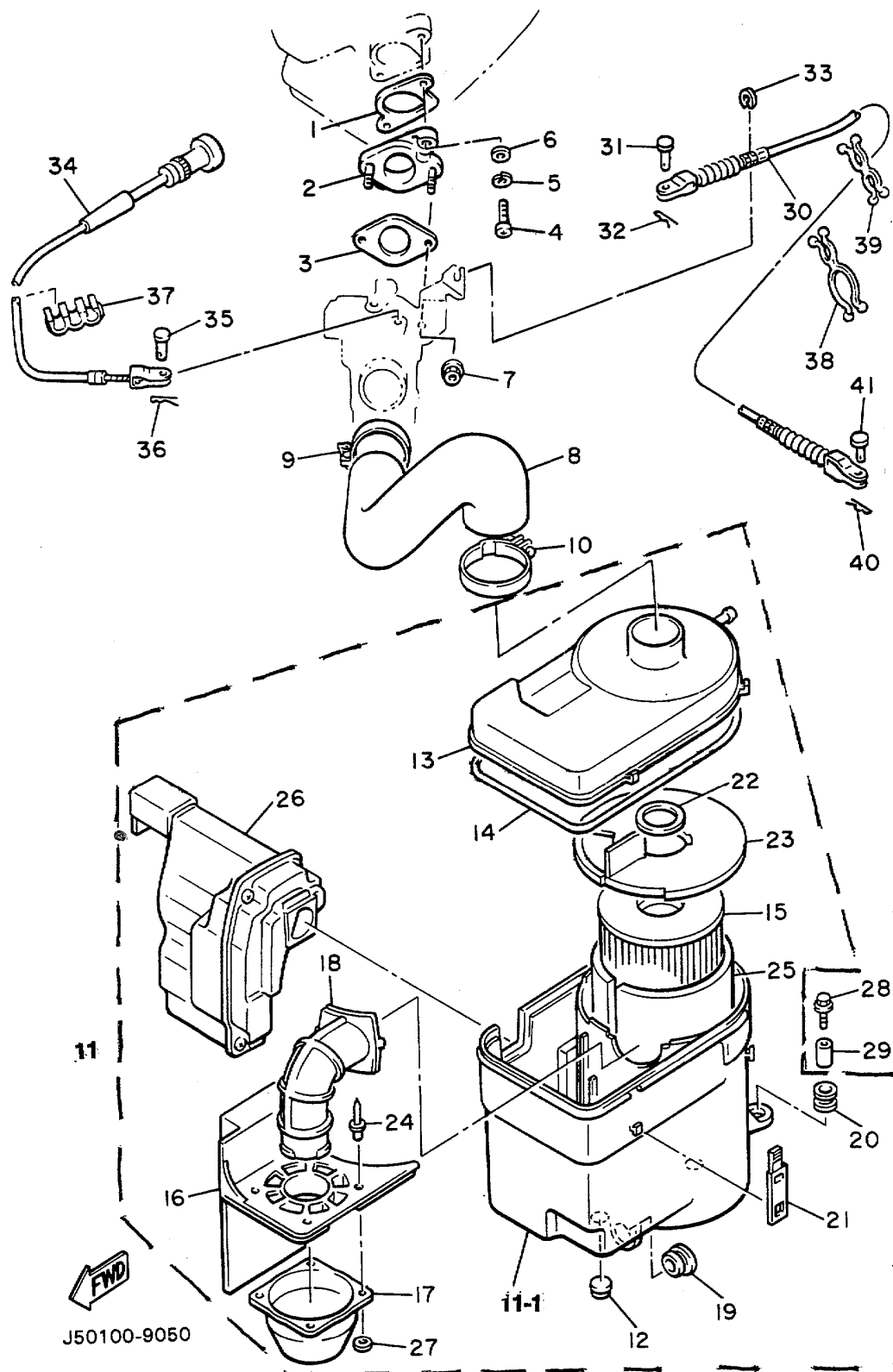
AIR SHROUD - FAN



J50100-9040

| Ref. No. | Part Number | Description | Qty | Remarks |
|----------|-----------------|--|-----|---------|
| 1 | J38-12621-01-00 | CASE, FAN | 1 | |
| 2 | 95811-06020-00 | BOLT, FLANGE | 5 | |
| 3 | 97780-60116-00 | SCREW, TAPPING | 4 | |
| 4 | J38-12640-00-00 | FAN CASE COVER COMP. ... | 1 | |
| 5 | J38-12651-01-00 | AIR SHROUD, CYLINDER 1 ... | 1 | |
| 6 | J38-12652-00-00 | AIR SHROUD, CYLINDER 2 ... | 1 | |
| 7 | 98503-06014-00 | SCREW, PAN HEAD (92502-06016) | 4 | |
| 8 | 92990-06600-00 | WASHER, PLATE | 4 | |
| 9 | 90109-06513-00 | BOLT | 4 | |

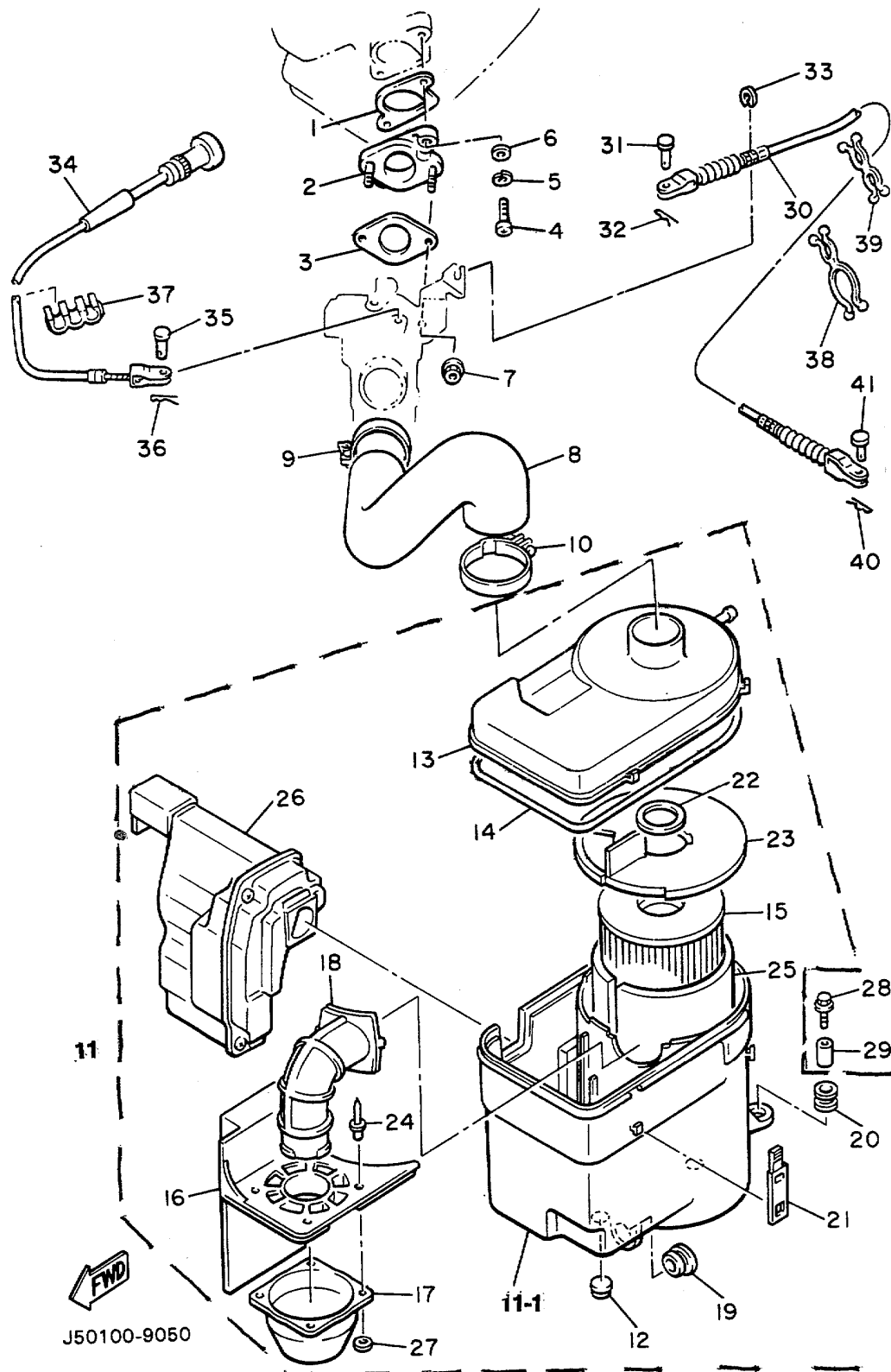
AIR FILTER



| Ref. No. | Part Number | Description | Qty | Remarks |
|----------|-----------------|--|-----|---------|
| 1 | J38-13556-00-00 | GASKET, MANIFOLD | 1 | |
| 2 | J38-13596-00-00 | JOINT, CARBURETOR 2 | 1 | |
| 3 | J38-13557-00-00 | GASKET | 1 | |
| 4 | 98501-06030-00 | SCREW, PAN HEAD (92501-06030-00) | 2 | |
| 5 | 92990-06100-00 | WASHER, SPRING | 2 | |
| 6 | 92990-06600-00 | WASHER, PLATE | 2 | |
| 7 | 95601-06200-00 | NUT, U FLANGE | 2 | |
| 8 | J38-14453-01-00 | JOINT, AIR CLEANER 1 | 1 | |
| 9 | 90460-43279-00 | CLAMP, HOSE | 1 | |
| 10 | 90460-53239-00 | CLAMP, HOSE | 1 | |
| 11 | J38-14410-00-00 | AIR CLEANER ASSEMBLY ... | 1 | |
| 12 | 90480-14100-00 | . GROMMET | 2 | |
| 13 | J38-14412-00-00 | . CAP, CLEANER CASE 1 | 1 | |
| 14 | 55K-14476-00-00 | . SEAL | 1 | |
| 15 | J38-14450-00-00 | . ELEMENT ASSEMBLY, AIR CLEANER | 1 | |
| 16 | J38-14484-00-00 | . PLATE, CLEANER CASE FITTING | 1 | |
| 17 | J38-14479-00-00 | . FUNNEL | 1 | |
| 18 | J38-14419-00-00 | . PIPE | 1 | |
| 19 | 90480-18277-00 | . GROMMET | 1 | |
| 20 | 90480-13238-00 | . GROMMET | 2 | |
| 21 | J10-14436-00-00 | . HOOK | 4 | |
| 22 | J38-14416-00-00 | . GASKET, AIR CLEANER | 1 | |
| 23 | J38-1441F-00-00 | . PARTN, AIR CLNR CSAIR CLEANER CASE | 1 | |
| 24 | 90267-40073-00 | . RIVET, BLIND | 4 | |
| 25 | J10-14417-00-00 | . COVER 1 | 1 | |
| 26 | J38-1446A-00-00 | . SURGE TANK ASSEMBLY ... | 1 | |

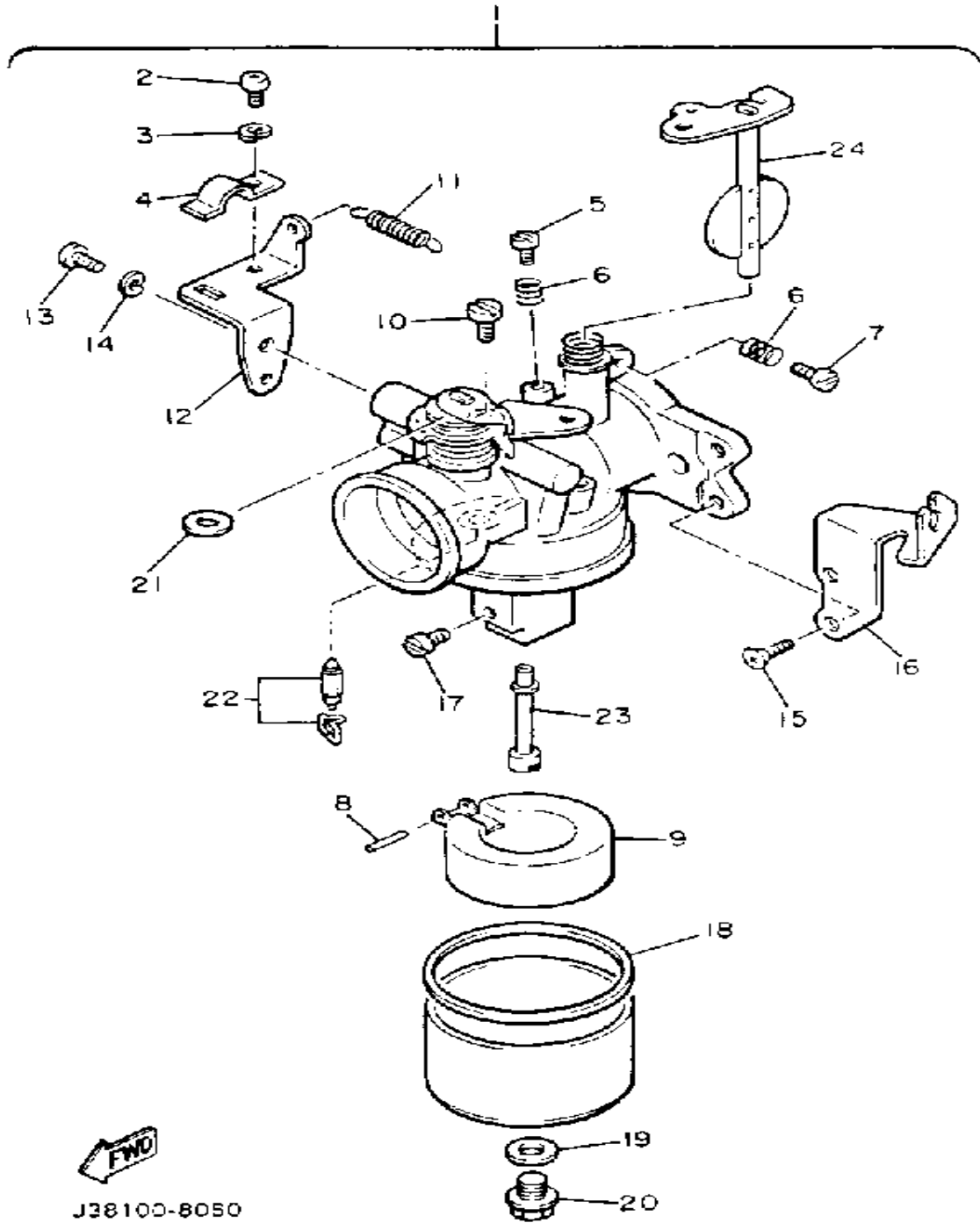
CONTINUED ON NEXT FRAME ►

AIR FILTER



| Ref. No. | Part Number | Description | Qty | Remarks |
|----------|-----------------|-----------------------|-----|---------|
| 27 | 92990-04200-00 | . WASHER, PLAIN | 4 | |
| 28 | 90119-06097-00 | BOLT, WITH WASHER | 2 | |
| 29 | 90387-07390-00 | COLLAR | 2 | |
| 30 | J38-26312-00-00 | CABLE, THROTTLE 2 | 1 | |
| 31 | 91701-05010-00 | PIN, CYLINDER. HEAD | 1 | |
| 32 | 90468-10050-00 | CLIP | 1 | |
| 33 | 99080-07600-00 | CIRCLIP (E) | 1 | |
| 34 | J50-F6331-00-00 | CABLE, STARTER 1 | 1 | |
| 35 | 91701-05010-00 | PIN, CYLINDER. HEAD | 1 | |
| 36 | 90468-10050-00 | CLIP | 1 | |
| 37 | 90468-07179-00 | CLIP | 1 | |
| 38 | 90464-26114-00 | CLAMP | 1 | |
| 39 | 90464-16115-00 | CLAMP | 2 | |
| 40 | 90468-10050-00 | CLIP | 1 | |
| 41 | 91701-05010-00 | PIN, CYLINDER. HEAD | 1 | |
| 11-1 | J38-14411-00-00 | . CASE, AIR CLEANER 1 | 1 | |

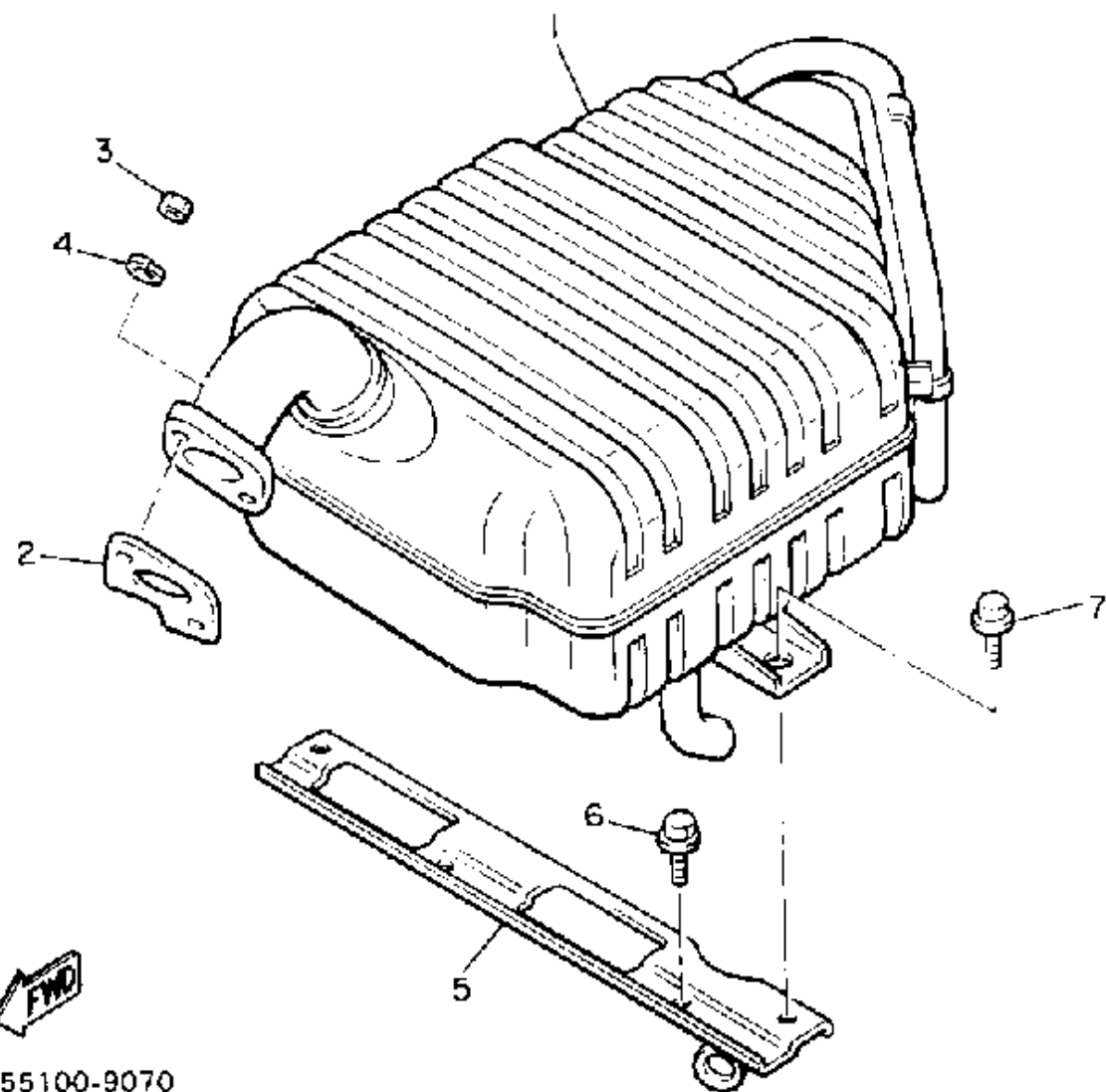
CARBURETOR



J38100-8050

| Ref. No. | Part Number | Description | Qty | Remarks |
|----------|-----------------|---------------------------------|-----|-------------------|
| 1 | J50-14101-00-00 | CARBURETOR ASSEMBLY 1 | 1 | |
| 2 | 98580-05010-00 | . SCREW, PAN HEAD | 1 | |
| 3 | 92990-05100-00 | . WASHER, SPRING | 1 | |
| 4 | J38-14243-00-00 | . PLATE | 1 | |
| 5 | 75G-14211-00-00 | . SCREW, PILOT ADJUSTING | 1 | |
| 6 | 620-14212-00-00 | . SPRING, PILOT ADJUSTING | 2 | |
| 7 | J10-14122-00-00 | . SCREW, THROTTLE | 1 | |
| 8 | J38-14186-00-00 | . PIN, FLOAT | 1 | |
| 9 | J38-14185-00-00 | . FLOAT | 1 | |
| 10 | 620-14142-67-00 | . JET, PILOT (#67.5) | 1 | AP FOR HIGH LANDS |
| | 620-14142-72-00 | . JET, PILOT (#72.5) | 1 | UR STD |
| 11 | J38-14133-00-00 | . SPRING, THROTTLE STOP | 1 | |
| 12 | J38-14581-00-00 | . BRACKET | 1 | |
| 13 | 98580-06010-00 | . SCREW, PAN HEAD (92503-06010) | 1 | |
| 14 | 92995-06100-00 | . WASHER, SPRING | 1 | |
| 15 | 98701-05008-00 | . SCREW, FLAT HEAD | 2 | |
| 16 | J38-14291-00-00 | . BRACKET 1 | 1 | |
| 17 | 3G2-1423E-41-00 | . JET, MAIN (#103.8) | 1 | AP FOR HIGH LANDS |
| | 3G2-1423E-42-00 | . JET, MAIN (#106.3) | 1 | UR STD |
| 18 | 796-14184-00-00 | . GASKET, FLOAT CHAMBER | 1 | |
| 19 | 127-14198-00-00 | . GASKET | 1 | |
| 20 | 7R1-14162-00-00 | . BOLT, HOLDING | 1 | |
| 21 | J10-14597-00-00 | . WASHER | 1 | |
| 22 | J38-14150-00-00 | . NEEDLE ASSEMBLY | 1 | |
| 23 | J38-14141-00-00 | . NOZZLE, MAIN | 1 | |
| 24 | J38-14202-09-00 | . THROTTLE LEVER COMP | 1 | |
| | OPT-IONAL-PA-RT | SPRING, THRTL VALVE | | |

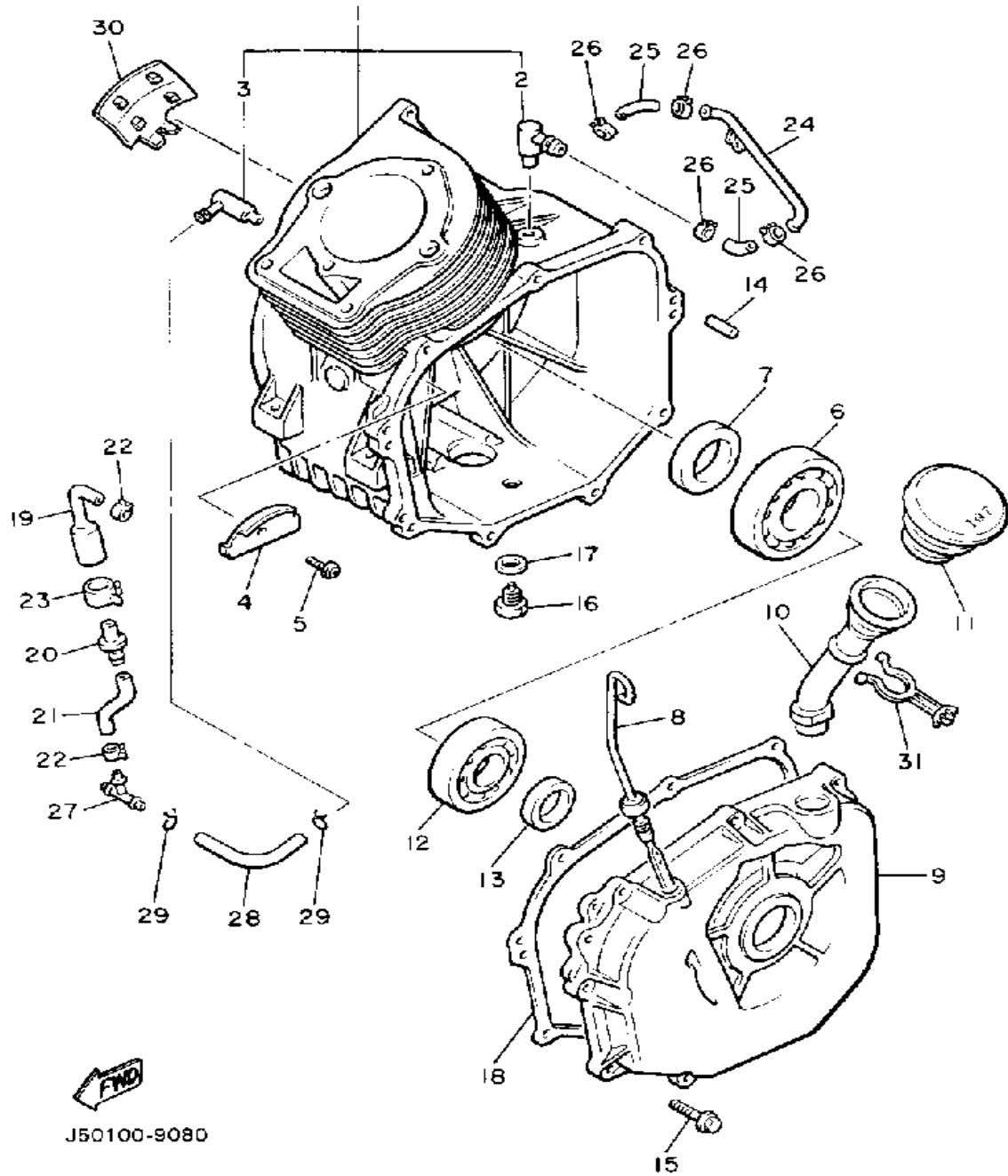
EXHAUST



J55100-9070

| Ref. No. | Part Number | Description | Qty | Remarks |
|----------|-----------------|----------------------|-----|---------|
| 1 | J55-E4710-01-00 | MUFFLER ASSEMBLY 1 | 1 | |
| 2 | J38-14613-01-00 | GASKET, EXHAUST PIPE | 1 | |
| 3 | 95380-08600-00 | NUT | 2 | |
| 4 | 92990-08100-00 | WASHER | 2 | |
| 5 | J38-14771-00-00 | STAY, MUFFLER 1 | 1 | |
| 6 | 95026-10020-00 | BOLT, FLANGE | 2 | |
| 7 | 90119-08119-00 | BOLT, WITH WASHER | 2 | |

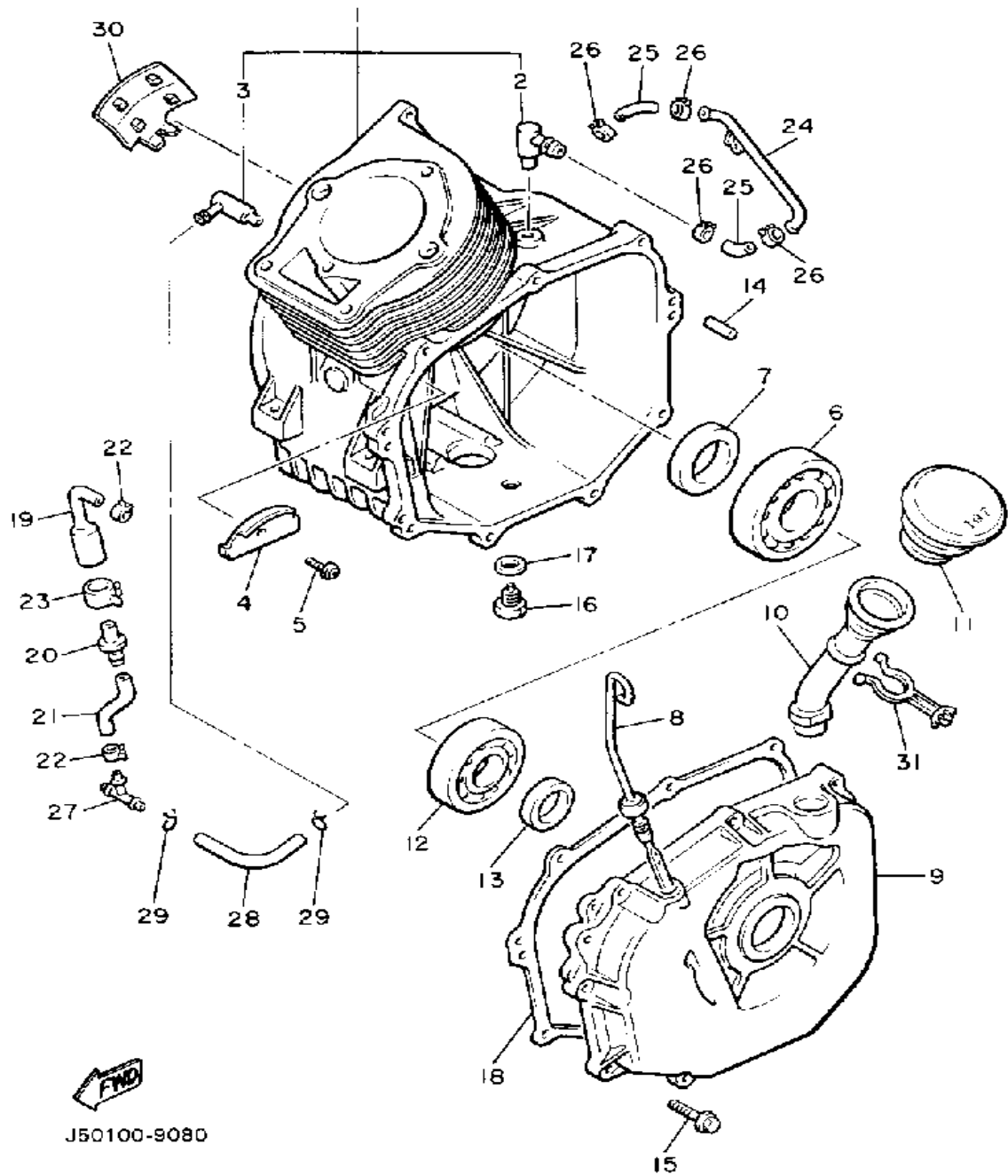
CRANKCASE



| Ref. No. | Part Number | Description | Qty | Remarks |
|----------|-----------------|--|-----|---------|
| 1 | J38-15100-02-00 | CRANKCASE ASSEMBLY | 1 | |
| 2 | J38-15148-00-00 | . NOZZLE 2 | 1 | |
| 3 | J38-15155-00-00 | . NOZZLE 3 | 1 | |
| 4 | J38-15123-00-00 | PLATE, BUFFLE 1 | 1 | |
| 5 | 90159-05117-00 | SCREW, w/washer | 1 | |
| 6 | 93306-30709-00 | BEARING | 1 | |
| 7 | 93102-35191-00 | OIL SEAL | 1 | |
| 8 | J38-15361-00-00 | GAUGE, LEVEL | 1 | |
| 9 | J38-15411-01-00 | COVER, CRANKCASE 1 | 1 | |
| 10 | J38-15112-00-00 | PIPE, OIL | 1 | |
| 11 | J38-15363-00-00 | PLUG, OIL | 1 | |
| 12 | 93306-30630-00 | BEARING | 1 | |
| 13 | 93102-30195-00 | OIL SEAL | 1 | |
| 14 | 93608-12063-00 | PIN, DOWEL | 2 | |
| 15 | 95811-08035-00 | BOLT, FLANGE (95821-08035) | 9 | |
| 16 | 90340-12097-00 | PLUG, STRAIGHT SCREW | 1 | |
| 17 | 812-11198-00-00 | GASKET | 1 | |
| 18 | J38-15451-00-00 | GASKET, CRCS COVERCRANKCASE COVER 1 | 1 | |
| 19 | J38-14388-00-00 | VALVE, VACUUM CONTROL | 1 | |
| 20 | J38-13115-00-00 | CONNECTOR, SUCTION PIPE | 1 | |
| 21 | 90445-113E4-00 | HOSE | 1 | |
| 22 | 90467-10008-00 | CLIP | 2 | |
| 23 | 90468-08104-00 | CLIP | 1 | |
| 24 | J38-13161-00-00 | PIPE, DELIVERY 1 | 1 | |
| 25 | 90445-110E6-00 | HOSE | 2 | |
| 26 | 90467-10008-00 | CLIP | 4 | |
| 27 | 807-24376-00-00 | PIPE, JOINT 1 | 1 | |
| 28 | 90445-09073-00 | HOSE | 1 | |

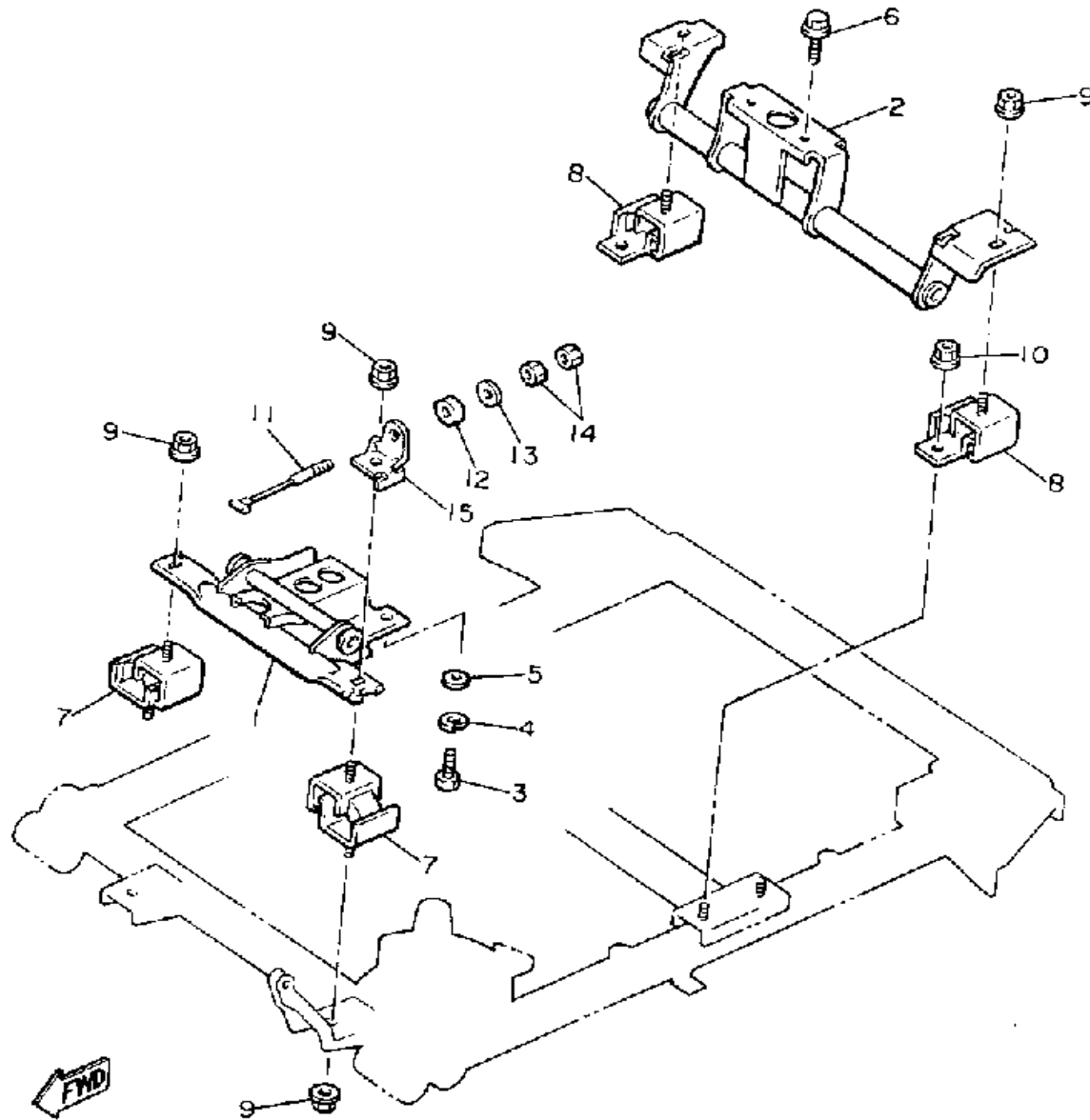
CONTINUED ON NEXT FRAME ►

CRANKCASE



| Ref. No. | Part Number | Description | Qty | Remarks |
|----------|-----------------|------------------------|-----|---------|
| 29 | 90467-08017-00 | CLIP | 2 | |
| 30 | J38-11355-00-00 | SEAL, CYLINDER 1 | 1 | |
| 31 | 90464-15093-00 | CLAMP | 1 | |

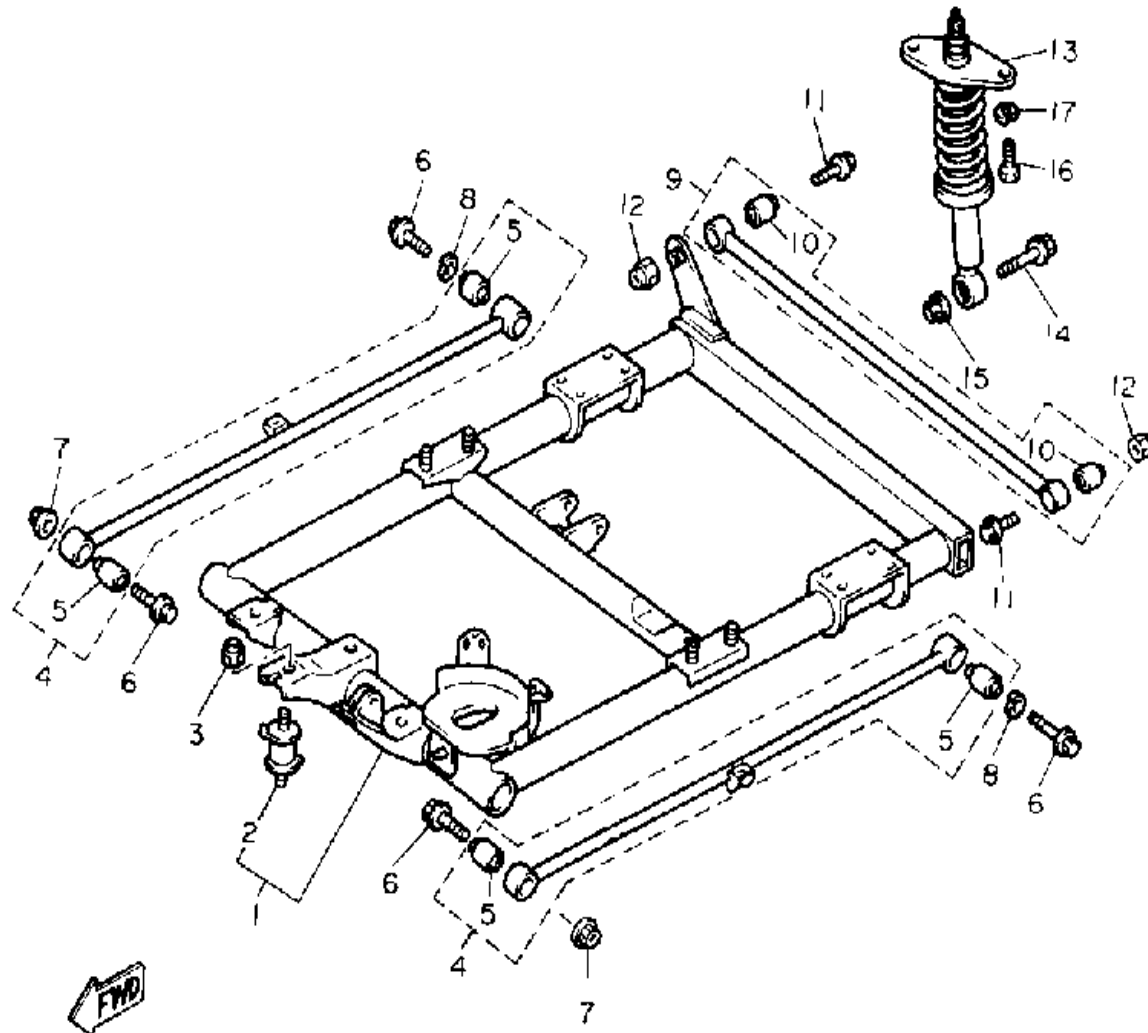
ENGINE BRACKET



J38100-7090

| Ref. No. | Part Number | Description | Qty | Remarks |
|----------|-----------------|---------------------------|-----|---------|
| 1 | J38-21411-02-00 | BRACKET, ENGINE 1 | 1 | |
| 2 | J55-F1419-00-00 | BRACKET, ENGINE 2 | 1 | |
| 3 | 97011-10025-00 | BOLT | 2 | |
| 4 | 92901-10100-00 | WASHER, SPRING | 2 | |
| 5 | 92990-10600-00 | WASHER, PLATE | 2 | |
| 6 | 95021-10040-00 | BOLT, FLANGE | 2 | |
| 7 | J38-21486-00-00 | DAMPER 2 | 2 | |
| 8 | J38-21488-00-00 | DAMPER | 2 | |
| 9 | 95701-10500-00 | NUT, FLANGE (95702-10500) | 6 | |
| 10 | 95701-08500-00 | NUT, FLANGE | 4 | |
| 11 | J31-2217J-01-00 | TENSIONER 1 | 1 | |
| 12 | J17-2214F-00-00 | DAMPER 1 | 1 | |
| 13 | 90201-06778-00 | WASHER, PLATE | 1 | |
| 14 | 95380-06600-00 | NUT | 2 | |
| 15 | J38-2141A-00-00 | BRACKET 1 | 1 | |

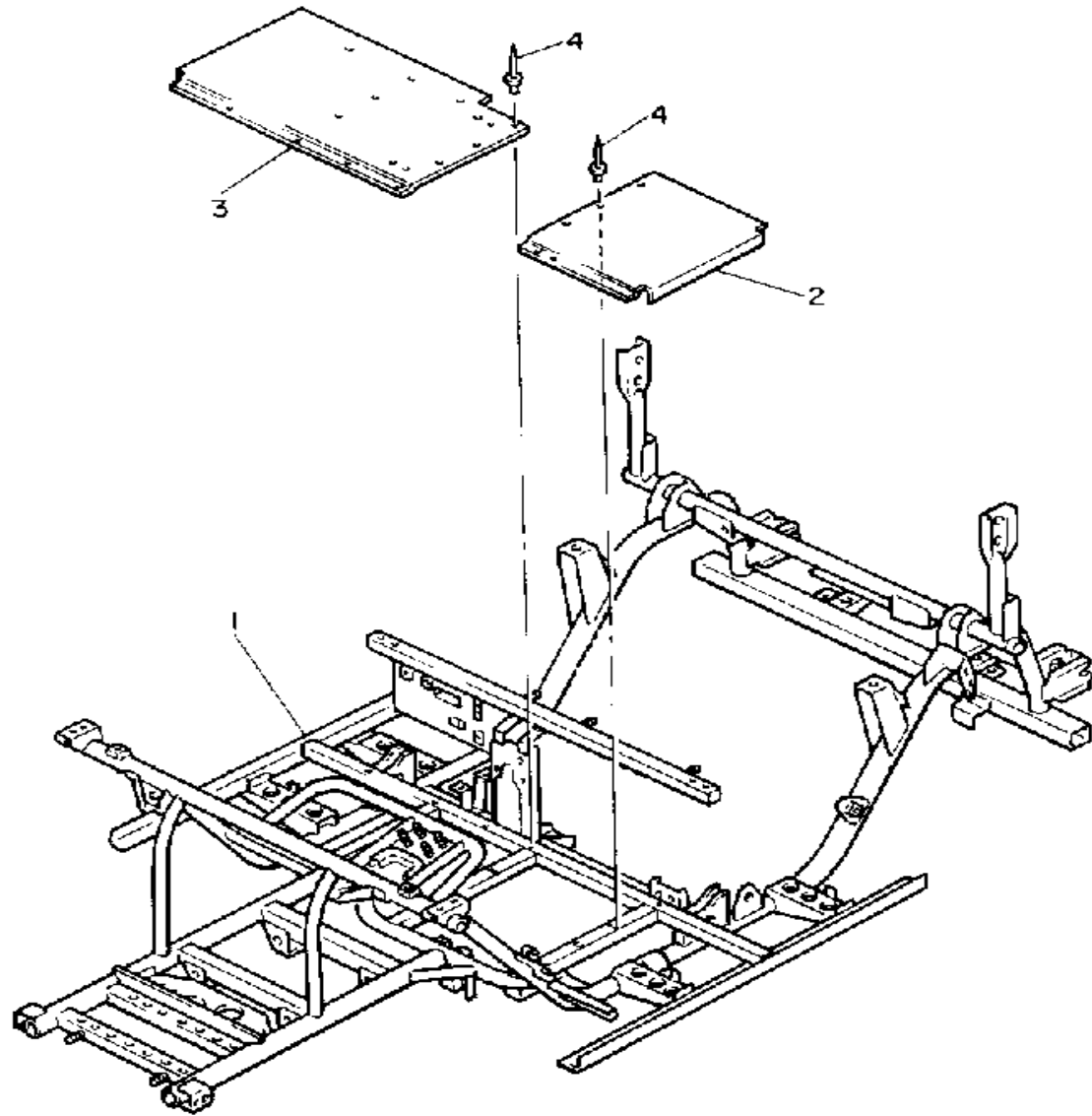
REAR SHOCKS - SUSPENSION



J50100-9100

| Ref. No. | Part Number | Description | Qty | Remarks |
|----------|-----------------|-------------------------|-----|---------|
| 1 | J50-F2110-00-00 | REAR ARM COMP. | 1 | |
| 2 | J50-22123-00-00 | . BUSH 1 | 1 | |
| 3 | 90185-10115-00 | NUT, SELF-LOCKING | 2 | |
| 4 | J50-22171-00-00 | ARM, REAR 1 | 2 | |
| 5 | J50-22124-00-00 | . BUSH 2 | 2 | |
| 6 | 95812-12065-00 | BOLT, FLANGE | 4 | |
| 7 | 90185-12072-00 | NUT, SELF-LOCKING | 2 | |
| 8 | 92901-12100-00 | WASHER, SPRING | 2 | |
| 9 | J50-22172-00-00 | ARM, REAR 2 | 1 | |
| 10 | J50-22124-00-00 | . BUSH 2 | 2 | |
| 11 | 95812-12065-00 | BOLT, FLANGE | 2 | |
| 12 | 90185-12072-00 | NUT, SELF-LOCKING | 2 | |
| 13 | J50-F2201-00-00 | DAMPER SUB ASSEMBLY, RR | 2 | |
| 14 | 95812-12055-00 | BOLT, FLANGE | 2 | |
| 15 | 90185-12072-00 | NUT, SELF-LOCKING | 2 | |
| 16 | 97011-08016-00 | BOLT | 4 | |
| 17 | 92990-08100-00 | WASHER | 4 | |

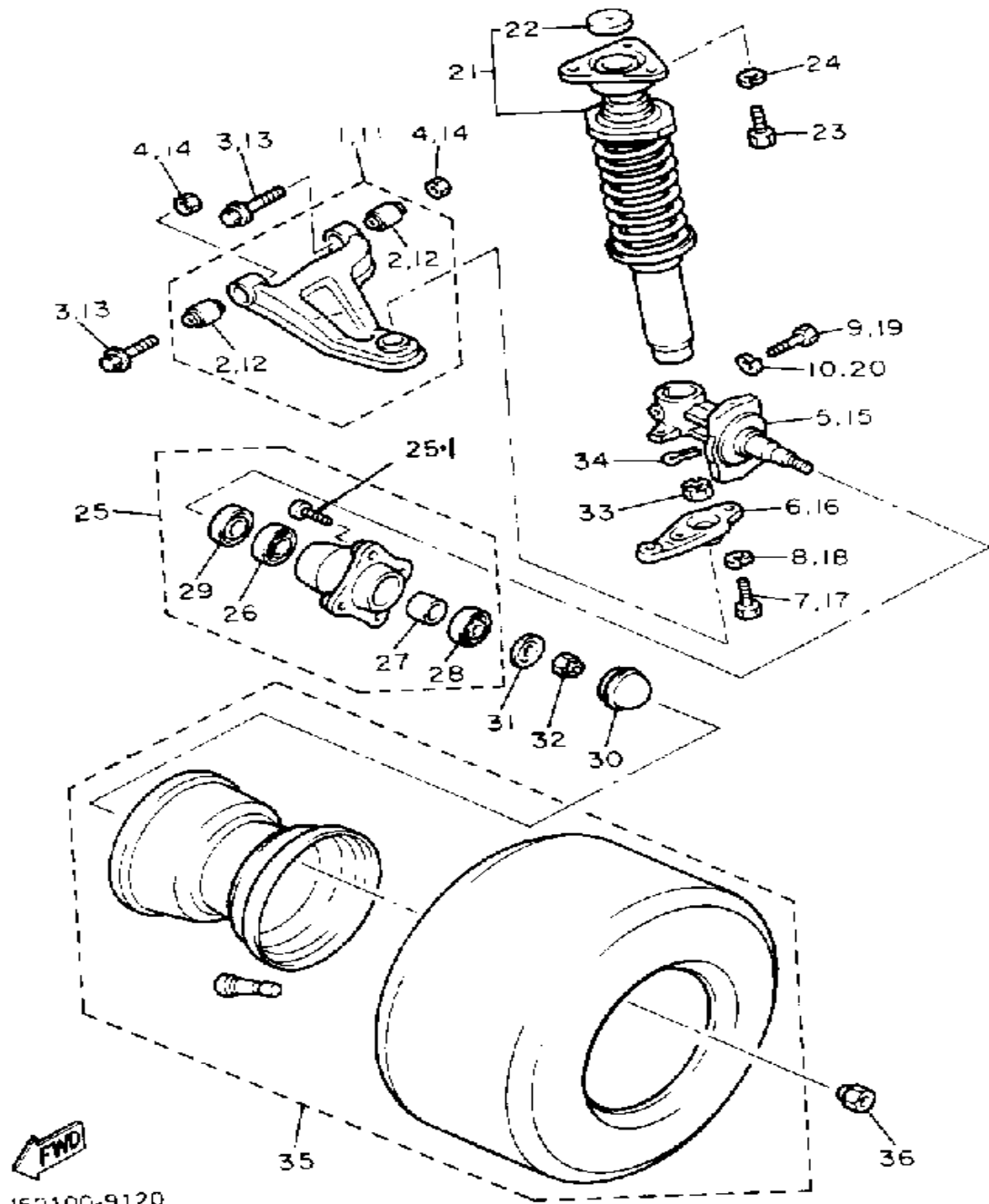
FRAME



J50100-9110

| Ref. No. | Part Number | Description | Qty | Remarks |
|----------|-----------------|-------------------|-----|---------|
| 1 | J50-F2501-01-00 | FRAME COMP. | 1 | |
| 2 | J50-22571-00-00 | PANEL 1 | 1 | |
| 3 | J50-22572-00-00 | PANEL 2 | 1 | |
| 4 | 90267-40054-00 | RIVET, BLIND | 16 | |

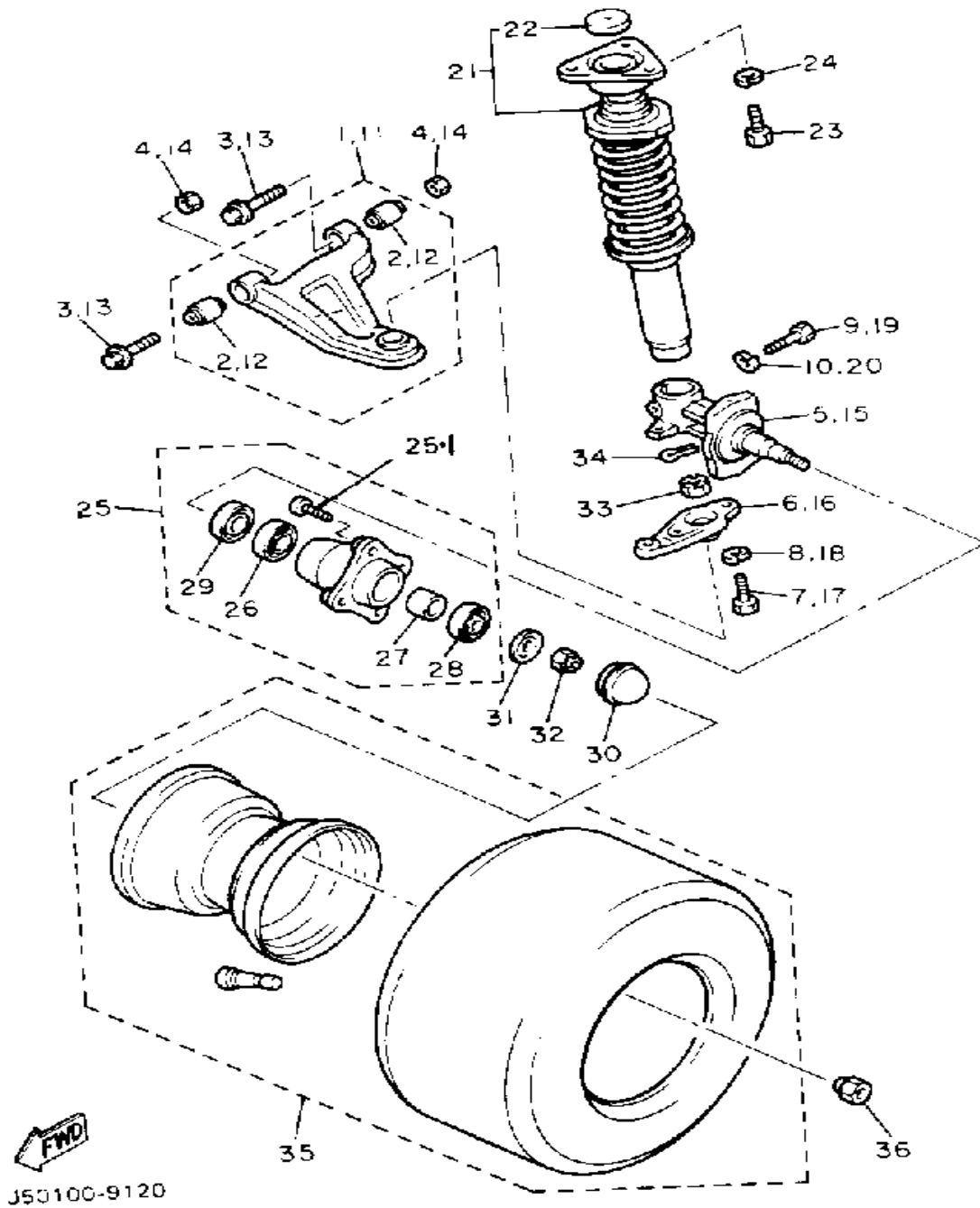
FRONT SUSPENSION - WHEEL



| Ref. No. | Part Number | Description | Qty | Remarks |
|----------|-----------------|-------------------------------|-----|---------|
| 1 | J50-23507-00-00 | FRT.LW.ARM SUB-ASSEMBLY (L.H) | 1 | |
| 2 | J38-23526-00-00 | . BUSH | 2 | |
| 3 | 95811-10070-00 | BOLT, flange (95812-10070-00) | 2 | |
| 4 | 90185-10115-00 | NUT, SELF-LOCKING | 2 | |
| 5 | J51-23511-00-00 | KNUCKLE, STEERING 1 | 1 | |
| 6 | J50-23512-00-00 | ARM, KNUCKLE 1 | 1 | |
| 7 | 90101-12687-00 | BOLT | 2 | |
| 8 | 92990-12100-00 | WASHER, SPRING | 2 | |
| 9 | 97022-08040-00 | BOLT (83L) | 1 | |
| 10 | 92990-08100-00 | WASHER | 1 | |
| 11 | J50-23508-00-00 | FRT.LW.ARM SUB-ASSEMBLY (R.H) | 1 | |
| 12 | J38-23526-00-00 | . BUSH | 2 | |
| 13 | 95811-10070-00 | BOLT, flange (95812-10070-00) | 2 | |
| 14 | 90185-10115-00 | NUT, SELF-LOCKING | 2 | |
| 15 | J51-23511-00-00 | KNUCKLE, STEERING 1 | 1 | |
| 16 | J50-23522-00-00 | ARM, KNUCKLE 2 | 1 | |
| 17 | 90101-12687-00 | BOLT | 2 | |
| 18 | 92990-12100-00 | WASHER, SPRING | 2 | |
| 19 | 97022-08040-00 | BOLT (83L) | 1 | |
| 20 | 92990-08100-00 | WASHER | 1 | |
| 21 | J50-F330E-00-00 | DAMPER ASSEMBLY, FRONT | 2 | |
| 22 | J50-23384-00-00 | . COVER, DUST SEAL 2 | 1 | |
| 23 | 97090-08020-00 | BOLT | 6 | |
| 24 | 92990-08100-00 | WASHER | 6 | |
| 25 | J50-F5110-00-00 | HUB ASSEMBLY, FRONT | 2 | |
| 26 | 93306-20567-00 | . BEARING | 1 | |

CONTINUED ON NEXT FRAME ►

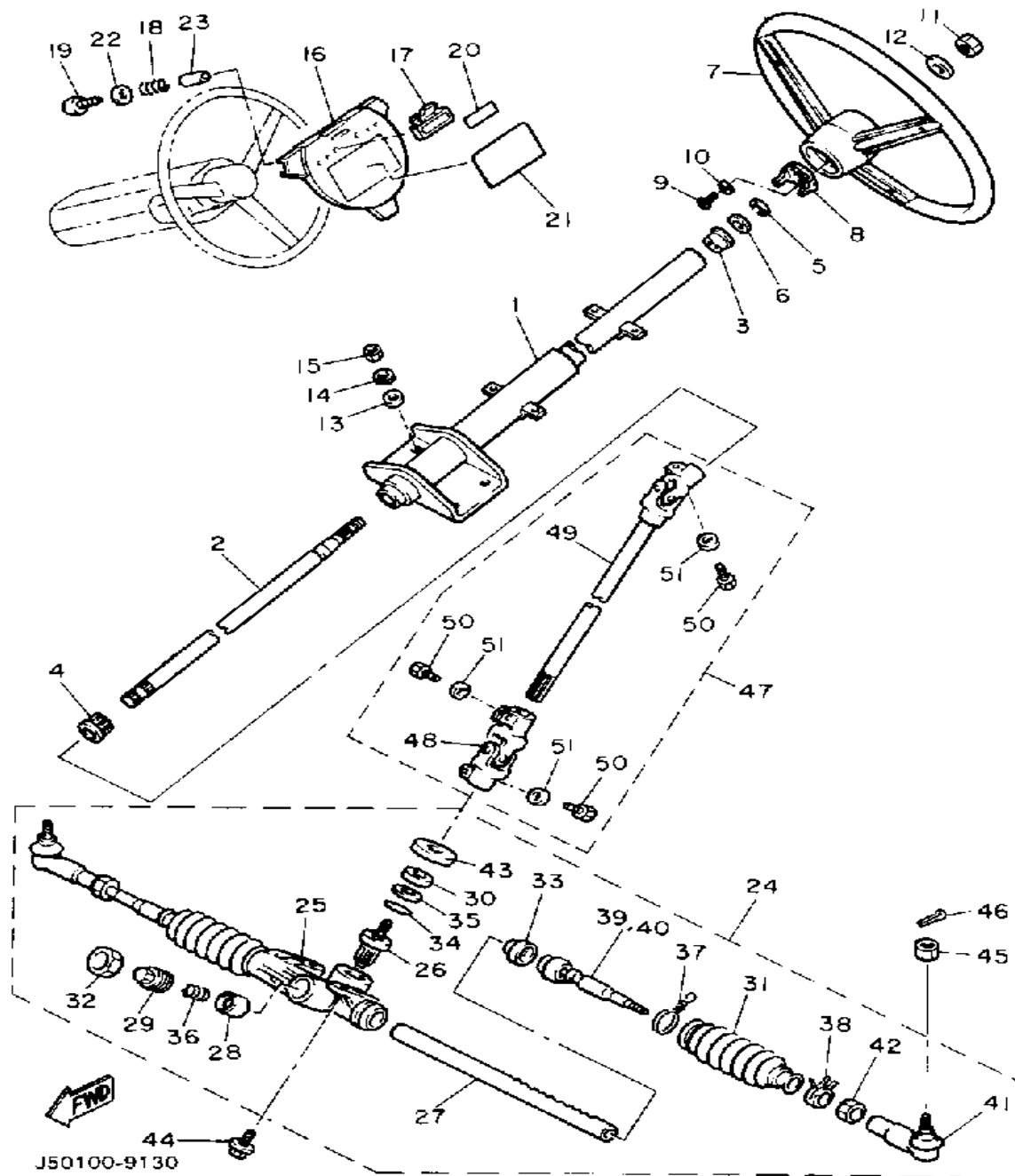
FRONT SUSPENSION - WHEEL



| Ref. No. | Part Number | Description | Qty | Remarks |
|----------|-----------------|-------------------------------|-----|---------------|
| 27 | J50-25183-00-00 | . COLLAR, WHEEL | 1 | |
| 28 | 93306-00507-00 | . BEARING (B6005) | 1 | |
| 29 | 93102-35412-00 | . OIL SEAL | 1 | |
| 30 | J17-25118-00-00 | COVER, HUB DUST | 2 | |
| 31 | 90209-32271-00 | WASHER | 2 | |
| 32 | 95601-14100-00 | NUT, U (95602-14100-00) | 2 | |
| 33 | 90171-10004-00 | NUT, CASTLE | 2 | |
| 34 | 91401-25030-00 | PIN, COTTER | 2 | |
| 35 | *--- | FRONT WHEEL ASSEMBLY .. | 2 | LM (SEE NOTE) |
| 36 | 90179-12262-00 | NUT | 8 | |
| 25-1 | 90114-12003-00 | . BOLT, RIBBED NECK | 4 | |

J50100-9120

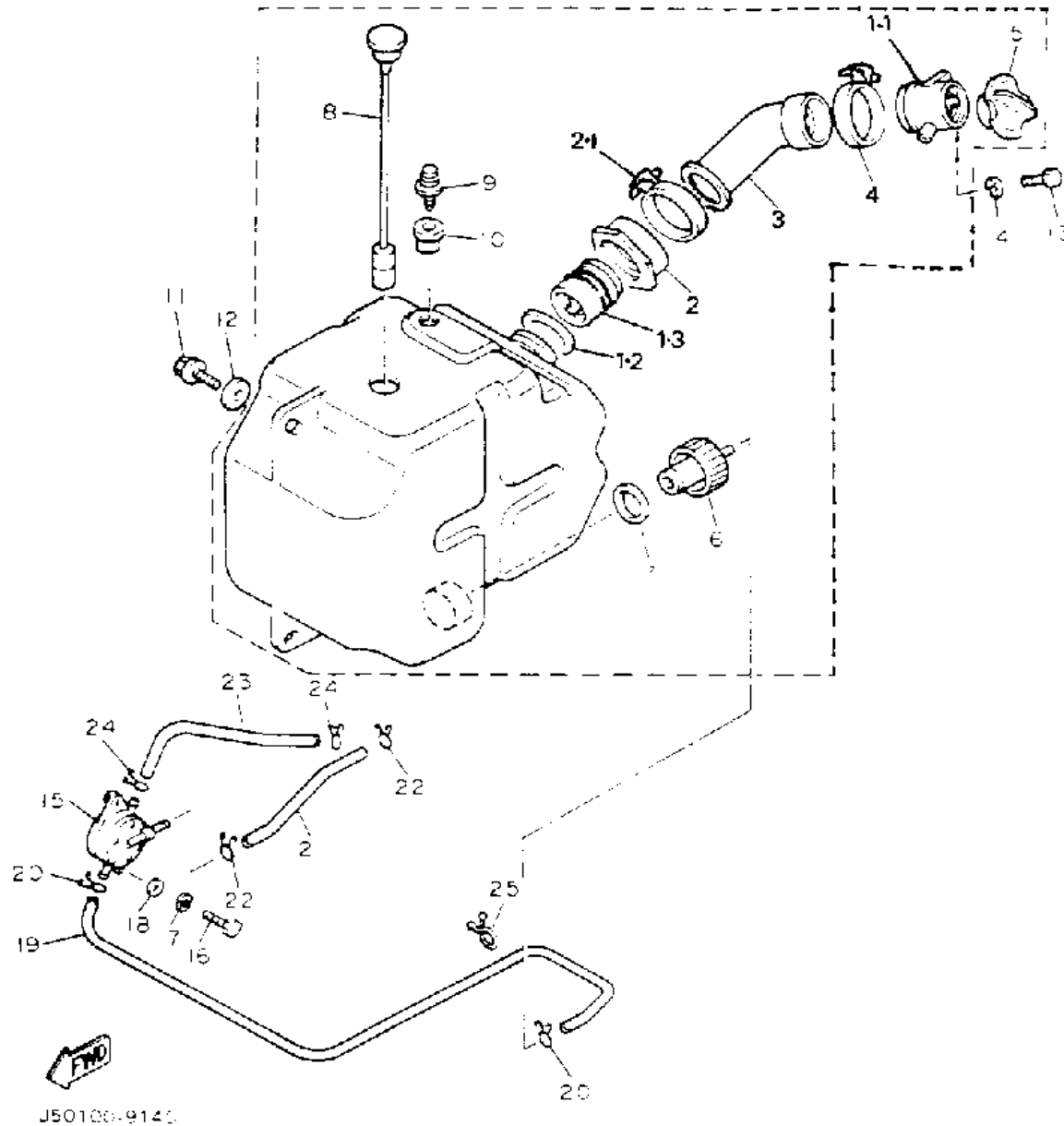
STEERING



| Ref. No. | Part Number | Description | Qty | Remarks |
|----------|-----------------|--|-----|---------|
| 1 | J50-23811-00-00 | COLUMN, STEERING | 1 | |
| 2 | J50-23828-00-00 | ROD, STEERING | 1 | |
| 3 | J50-23814-00-00 | HOLDER, HANDLE UPR | 1 | |
| 4 | J50-23857-00-00 | WASHER, LOCK | 1 | |
| 5 | 99009-16400-00 | CIRCLIP | 1 | |
| 6 | 90201-16245-00 | WASHER, PLATE | 1 | |
| 7 | J50-F3838-00-00 | WHEEL, STEERING | 1 | |
| 8 | J42-23839-00-00 | PIN, CANCEL | 1 | |
| 9 | 98580-04008-00 | SCREW, PAN HEAD | 3 | |
| 10 | 92901-04100-00 | WASHER, SPRING | 3 | |
| 11 | 90185-12119-00 | NUT, SELF-LOCKING | 1 | |
| 12 | 92990-12200-00 | WASHER, PLAIN | 1 | |
| 13 | 92990-08200-00 | WASHER, PLAIN | 4 | |
| 14 | 92990-08100-00 | WASHER | 4 | |
| 15 | 95380-08600-00 | NUT | 4 | |
| 16 | J50-K8357-00-00 | HOLDER 1 | 1 | |
| 17 | J50-K8358-00-00 | HOLDER 2 | 1 | |
| 18 | 90502-10013-00 | SPRING, CONICAL | 2 | |
| 19 | 97706-40525-00 | SCREW, TAPPING | 2 | |
| 20 | J38-77763-10-00 | LABEL, WARNING 3 | 1 | |
| 21 | J50-77762-00-00 | LABEL, WARNING 2 | 1 | |
| 22 | 90201-044A2-00 | WASHER, PLATE | 2 | |
| 23 | 90387-046N7-00 | COLLAR | 2 | |
| 24 | J50-23400-00-00 | STEERING ASSEMBLY | 1 | |
| 25 | J50-2388A-00-00 | . HOUSING, STRG.GEAR (J50-23824-00) | 1 | |
| 26 | J50-2387A-00-00 | . PINION KIT | 1 | |
| 27 | J50-2387E-00-00 | . GEAR, RACK | 1 | |
| 28 | J50-2387F-00-00 | . PAD, PRESSURE | 1 | |

CONTINUED ON NEXT FRAME ►

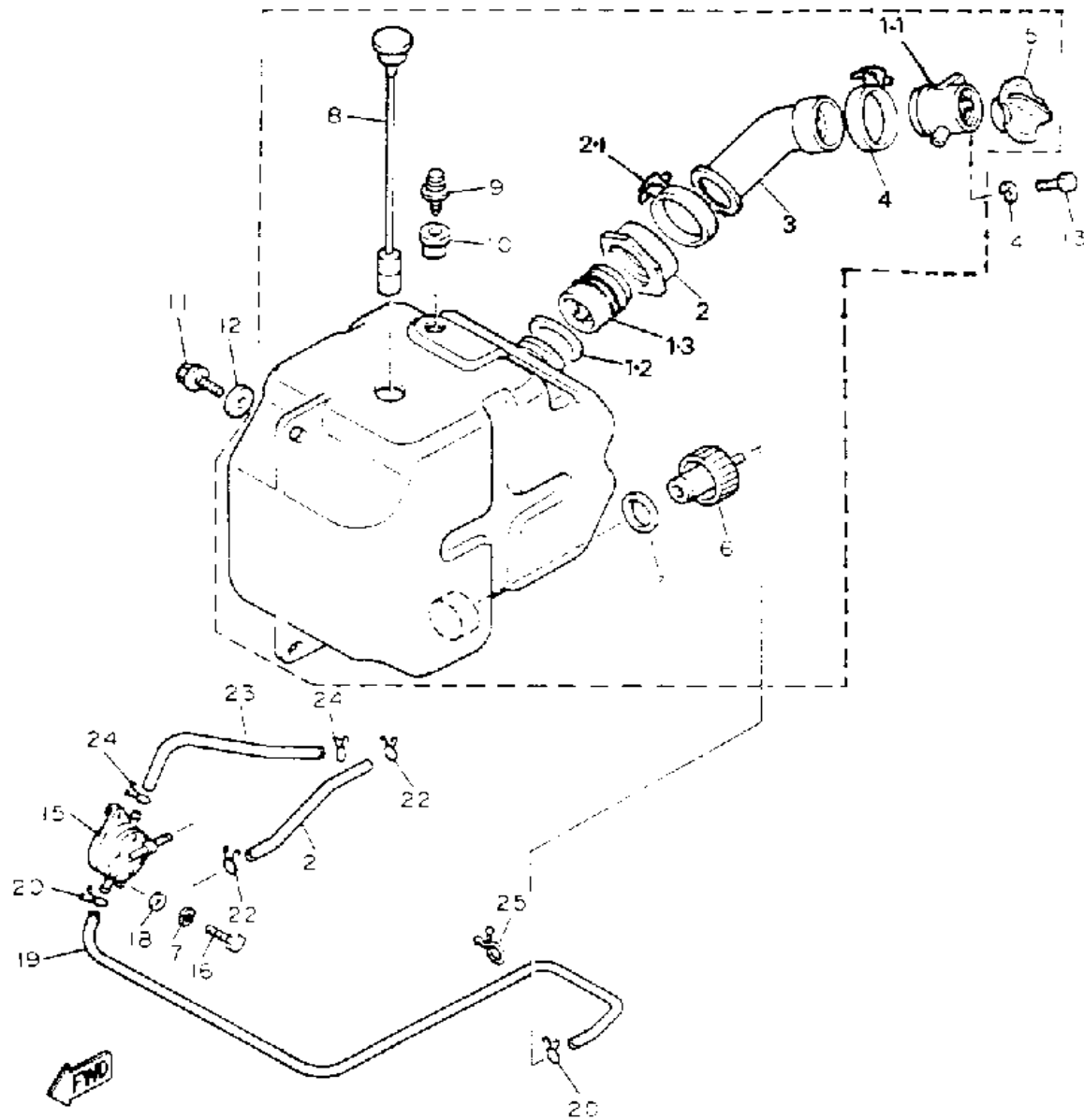
FUEL TANK



| Ref. No. | Part Number | Description | Qty | Remarks |
|----------|-----------------|---|-----|---------|
| 1 | J50-F4110-01-00 | FUEL TANK COMP. (J50-F4110-00) | 1 | |
| 2 | J50-24611-01-00 | . BODY CAP | 1 | |
| 3 | J50-24112-01-00 | . PIPE, CONNECTING | 1 | |
| 4 | 90450-67033-00 | . HOSE CLAMP ASSEMBLY | 1 | |
| 5 | J50-24620-00-00 | . BODY CAP ASSEMBLY | 1 | |
| 6 | 8R4-24560-00-00 | . FILTER ASSEMBLY. | 1 | |
| 7 | 8F3-24564-00-00 | . GASKET | 1 | |
| 8 | J50-85752-00-00 | . SNDR UT ASSEMBLY, F/MTR FUEL METER | 1 | |
| 9 | J24-24460-01-00 | . RELEASE VALVE ASSEMBLY. | 1 | |
| 10 | J10-21773-00-00 | . GROMMET | 1 | |
| 11 | 95821-08025-00 | BOLT, FLANGE | 3 | |
| 12 | 90201-084K7-00 | WASHER, PLATE | 3 | |
| 13 | 97021-06012-00 | BOLT | 2 | |
| 14 | 92995-06100-00 | WASHER, SPRING | 2 | |
| 15 | J50-24410-00-00 | FUEL PUMP ASSEMBLY | 1 | |
| 16 | 97011-06020-00 | BOLT | 2 | |
| 17 | 92995-06100-00 | WASHER, SPRING | 2 | |
| 18 | 92990-06600-00 | WASHER, PLATE | 2 | |
| 19 | J50-24311-00-00 | PIPE, FUEL 1 | 1 | |
| 20 | 90467-11009-00 | CLIP | 2 | |
| 21 | 90445-09222-00 | HOSE | 1 | |
| 22 | 90467-08017-00 | CLIP | 2 | |
| 23 | 90445-09304-00 | HOSE | 1 | |
| 24 | 90467-08017-00 | CLIP | 2 | |
| 25 | 90464-23041-00 | CLAMP | 2 | |
| 1-1 | J50-24114-01-00 | . TUBE, FILLER | 1 | |
| 1-2 | J50-24612-00-00 | . PACKING CAP | 1 | |

CONTINUED ON NEXT FRAME ►

FUEL TANK

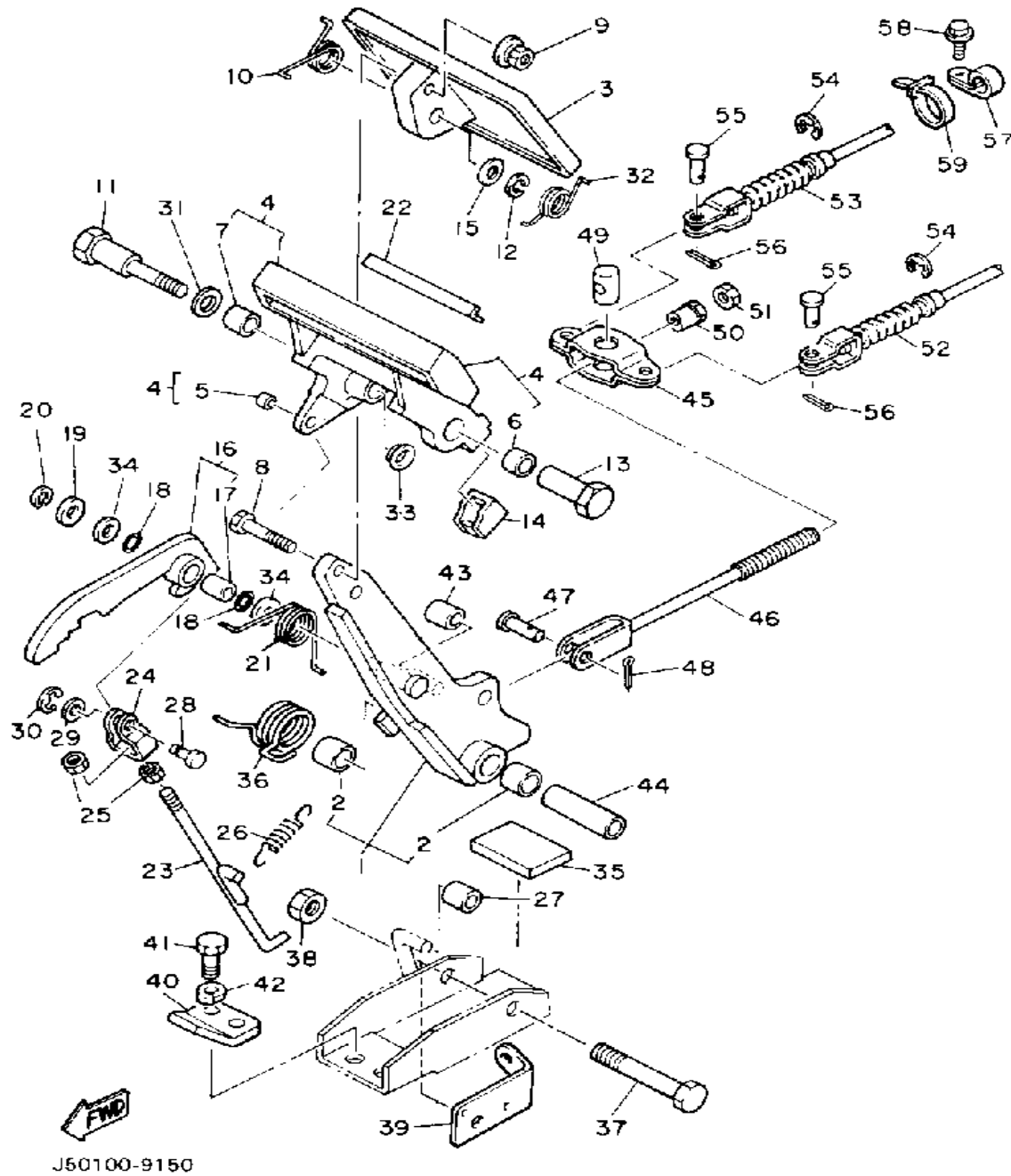


J50100-9140

| Ref. No. | Part Number | Description | Qty | Remarks |
|----------|-------------|-------------|-----|---------|
|----------|-------------|-------------|-----|---------|

| | | | | |
|-----|-----------------|--------------------------|---|--|
| 1-3 | J50-24667-00-00 | . GUIDE PIPE | 1 | |
| 2-1 | 90450-52058-00 | .. HOSE CLAMP ASSEMBLY . | 1 | |

BRAKE

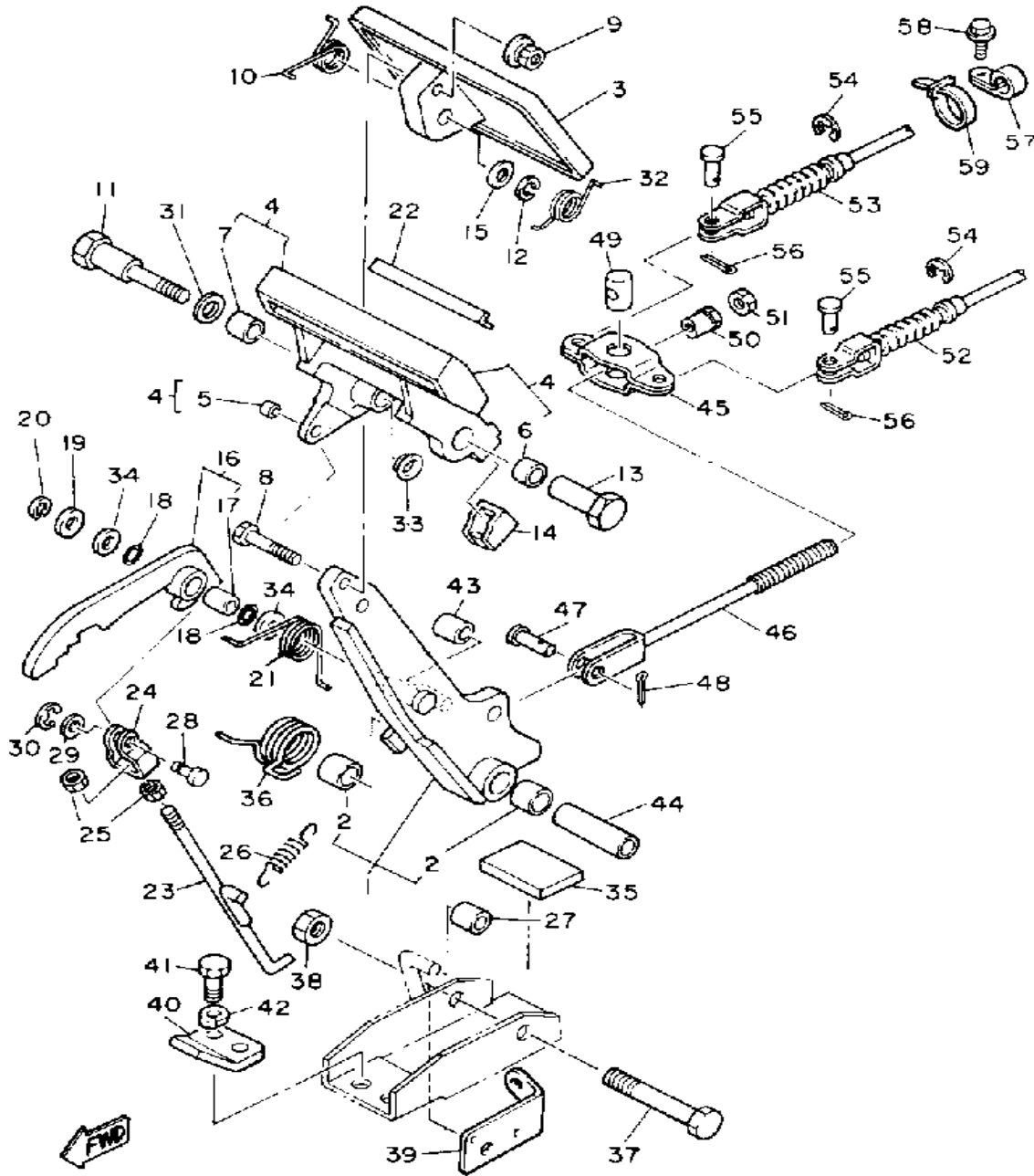


J50100-9150

| Ref. No. | Part Number | Description | Qty | Remarks |
|----------|-----------------|-----------------------|-----|---------|
| 1 | J46-27250-01-00 | BRAKE ARM CMLPT | 1 | |
| 2 | 90384-14080-00 | . BUSH, BIMETAL | 2 | |
| 3 | J10-27211-00-00 | PEDAL, BRAKE | 1 | |
| 4 | J17-25670-01-00 | PARKING PEDAL COMP. | 1 | |
| 5 | 90384-05163-00 | . BUSH, BIMETAL | 1 | |
| 6 | 90384-12164-00 | . BUSH, BIMETAL | 1 | |
| 7 | 90380-12051-00 | . BUSH, SOLID | 1 | |
| 8 | 90101-06555-00 | BOLT, HEX. | 1 | |
| 9 | 90179-07564-00 | NUT | 1 | |
| 10 | 90508-23542-00 | SPRING, TORSION | 1 | |
| 11 | 90109-08669-00 | BOLT | 1 | |
| 12 | 92990-08100-00 | WASHER | 1 | |
| 13 | 90179-08378-00 | NUT | 1 | |
| 14 | J17-25679-01-00 | DAMPER | 2 | |
| 15 | 92990-08200-00 | WASHER, PLAIN | 1 | |
| 16 | J17-W2561-00-00 | SECTOR, PARKING BRAKE | 1 | |
| 17 | 90384-10162-00 | . BUSH, BIMETAL | 1 | |
| 18 | J17-27221-00-00 | SEAL, SHAFT | 2 | |
| 19 | 92990-10600-00 | WASHER, PLATE | 1 | |
| 20 | 99080-07600-00 | CIRCLIP (E) | 1 | |
| 21 | 90508-14548-00 | SPRING, TORSION | 1 | |
| 22 | J17-25672-01-00 | PAD, PARKING | 1 | |
| 23 | J17-27231-02-00 | ROD, BRAKE | 1 | |
| 24 | J17-27232-00-00 | END, ROD | 1 | |
| 25 | 95380-06700-00 | NUT | 2 | |
| 26 | 90506-12277-00 | SPRING, TENSION | 1 | |
| 27 | J17-25673-00-00 | DAMPER, BRAKE | 1 | |
| 28 | J17-27228-00-00 | PIN, LINK JOINT | 1 | |
| 29 | 92901-05600-00 | WASHER, PLATE | 1 | |

CONTINUED ON NEXT FRAME ►

BRAKE

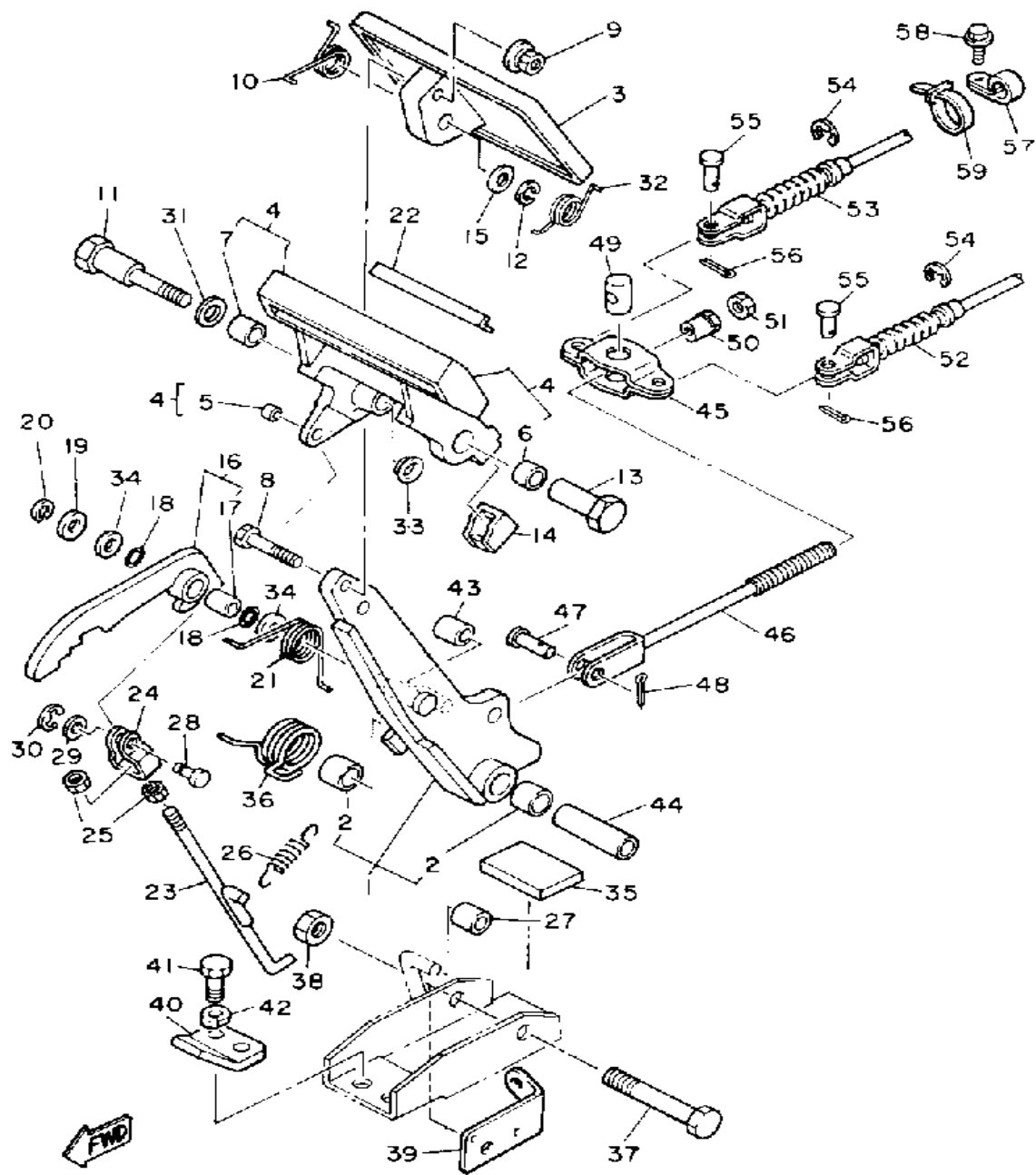


J50100-9150

| Ref. No. | Part Number | Description | Qty | Remarks |
|----------|-----------------|-------------------------|-----|---------|
| 30 | 99080-04600-00 | CIRCLIP (E) | 1 | |
| 31 | 90201-123F2-00 | WASHER, PLAIN | 1 | |
| 32 | 90508-26557-00 | SPRING, TORSION | 1 | |
| 33 | 90380-12105-00 | BUSH, SOLID | 1 | |
| 34 | 90201-104G8-00 | WASHER, PLAIN | 2 | |
| 35 | J17-27245-00-00 | PAD, BRAKE PEDAL | 1 | |
| 36 | 90508-40543-00 | SPRING, TORSION | 1 | |
| 37 | 90101-10447-00 | BOLT, HEX. | 1 | |
| 38 | 95601-10100-00 | NUT, U (95602-10100-00) | 1 | |
| 39 | J55-2252M-00-00 | BRACKET, | 1 | |
| 40 | J17-27246-00-00 | NAIL, BRAKE | 1 | |
| 41 | 97313-08020-00 | BOLT, HEXAGON | 2 | |
| 42 | 92990-08100-00 | WASHER | 2 | |
| 43 | J17-25673-00-00 | DAMPER, BRAKE | 1 | |
| 44 | 90387-107F8-00 | COLLAR | 1 | |
| 45 | J10-25681-00-00 | EQUALIZER, BRAKE | 1 | |
| 46 | J50-25685-00-00 | ROD | 1 | |
| 47 | 91701-10022-00 | PIN | 1 | |
| 48 | 91490-30020-00 | PIN, COTTER | 1 | |
| 49 | 90249-14129-00 | PIN | 1 | |
| 50 | 90179-08261-00 | NUT | 1 | |
| 51 | 95303-08700-00 | NUT | 1 | |
| 52 | J50-F6341-00-00 | CABLE, BRAKE | 1 | |
| 53 | J50-F6351-00-00 | CABLE, BRAKE | 1 | |
| 54 | 99001-09600-00 | CIRCLIP | 4 | |
| 55 | 91701-08018-00 | PIN | 4 | |
| 56 | 91490-25020-00 | PIN, COTTER | 4 | |
| 57 | 90461-12117-00 | CLAMP | 4 | |
| 58 | 95811-06012-00 | BOLT, FLANGE | 4 | |

CONTINUED ON NEXT FRAME ►

BRAKE

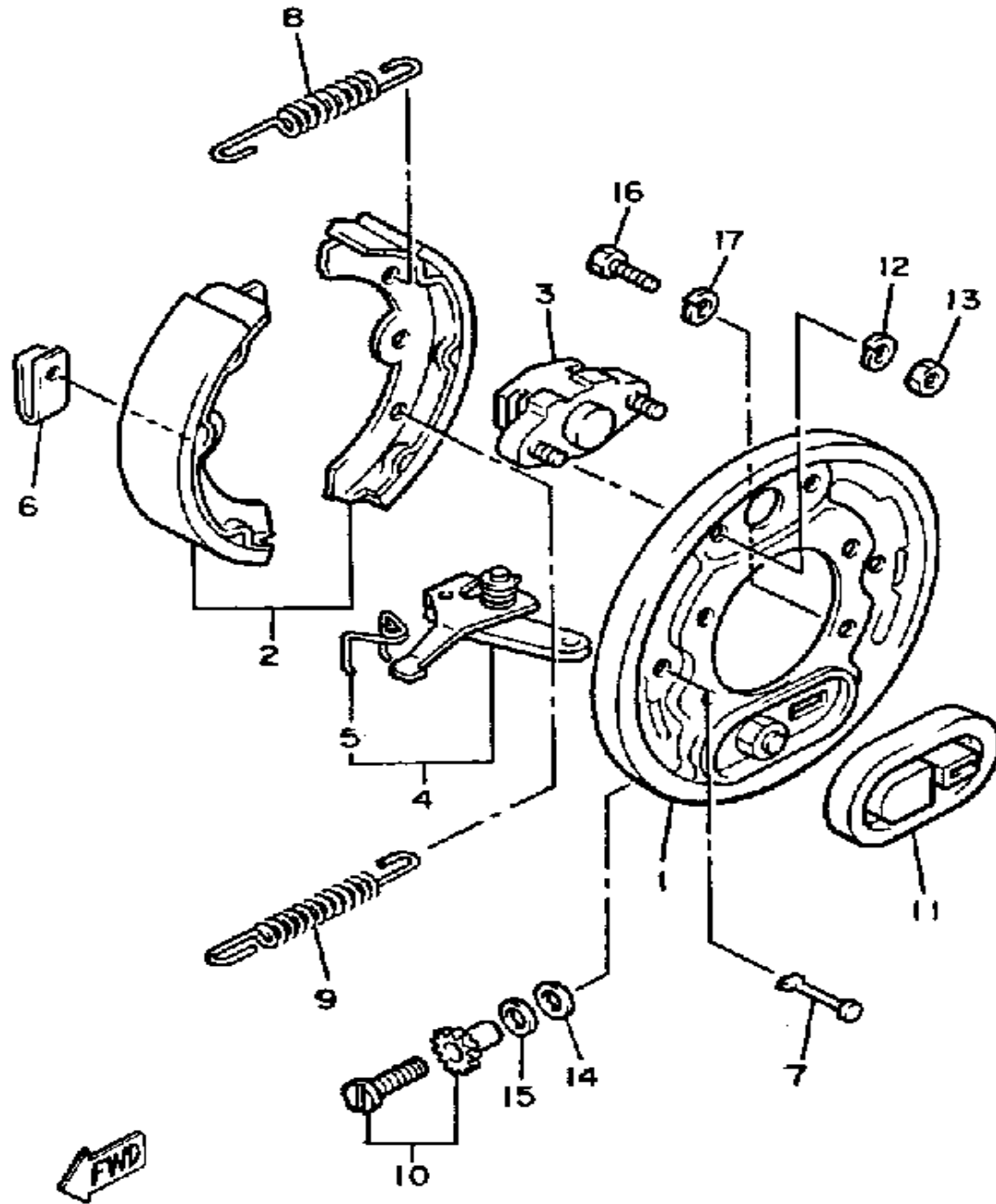


J50100-9150

| Ref. No. | Part Number | Description | Qty | Remarks |
|----------|-------------|-------------|-----|---------|
|----------|-------------|-------------|-----|---------|

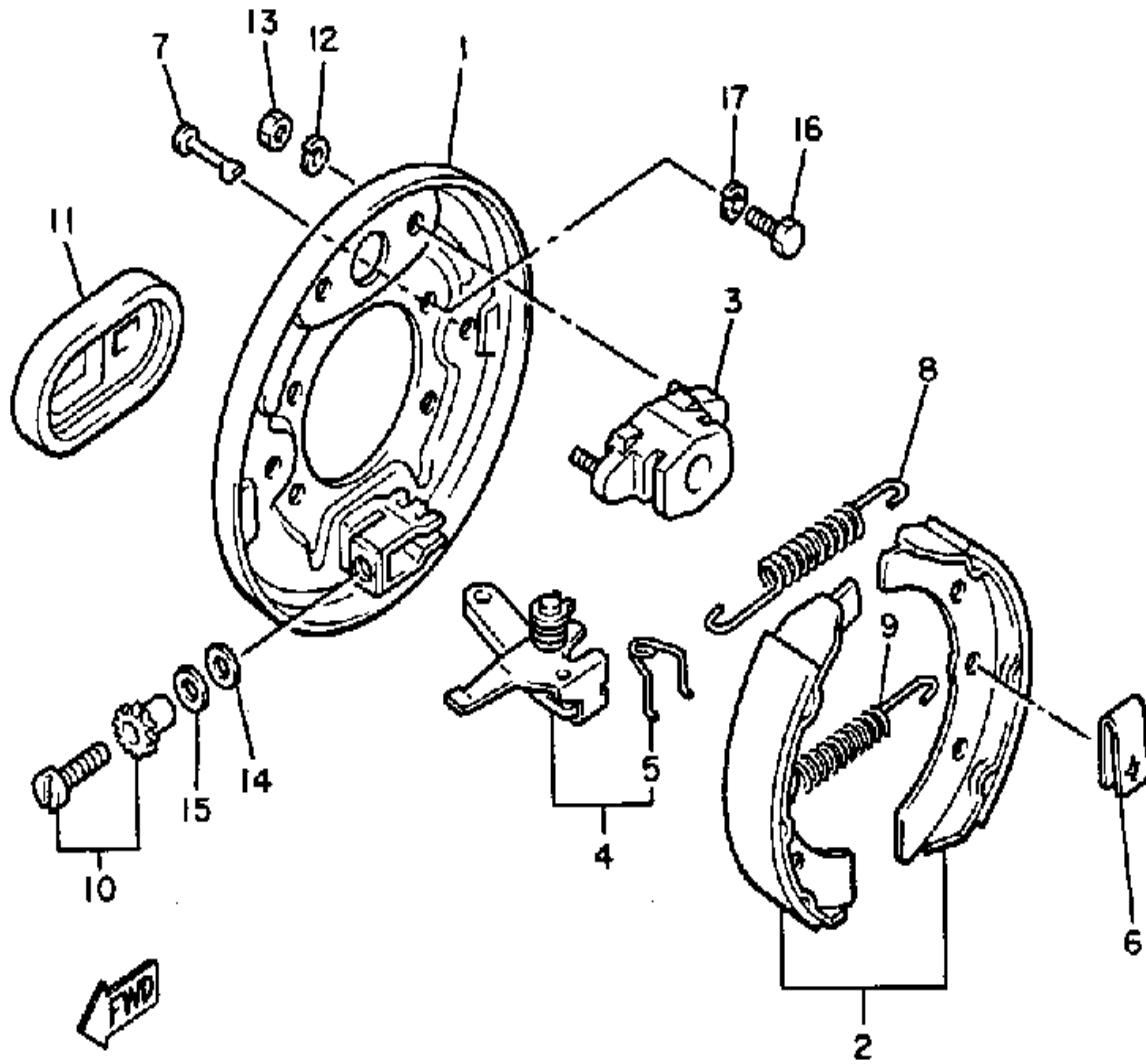
| | | | | |
|----|----------------|-------------|---|--|
| 59 | 90465-13169-00 | CALMP | 1 | |
|----|----------------|-------------|---|--|

BRAKE 2



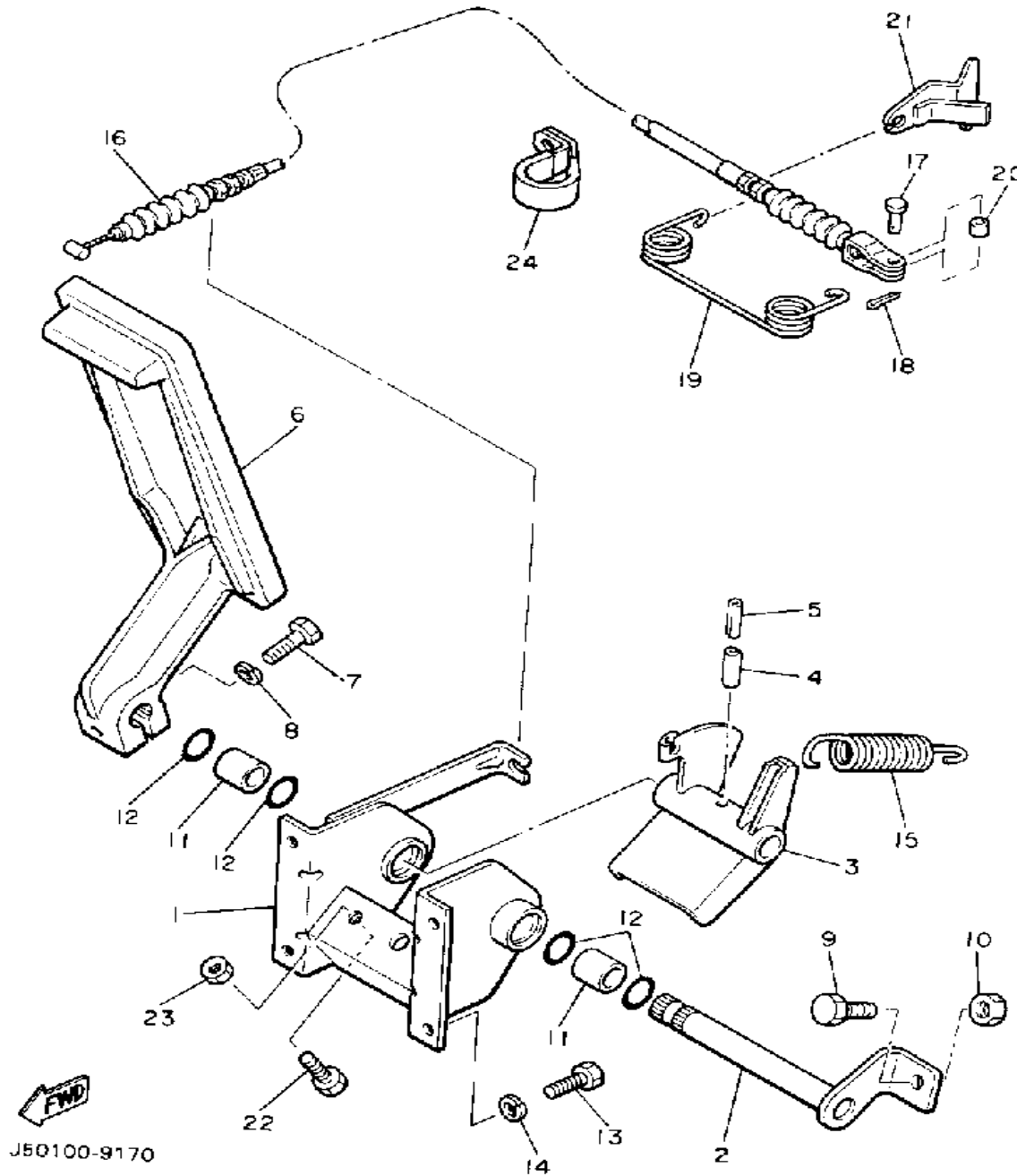
| Ref. No. | Part Number | Description | Qty | Remarks |
|----------|-----------------|------------------------------------|-----|---------|
| 1 | J17-27208-00-00 | BACKING PLATE SUB ASSEMBLY 1 (R.H) | 1 | |
| 2 | J55-W2536-00-00 | BRAKE SHOE SET | 1 | |
| 3 | J17-27206-00-00 | ANCHOR BODY COMP. | 1 | |
| 4 | J38-27204-00-00 | LEVER ASSEMBLY 1 | 1 | |
| 5 | J55-25358-00-00 | . SPRING LEVER | 1 | |
| 6 | J10-27281-00-00 | SPRING, SHOE CLAMP | 2 | |
| 7 | J10-27282-00-00 | PIN, SHOE HOLD DOWN | 2 | |
| 8 | 90506-20281-00 | SPRING, TENSION | 1 | |
| 9 | 90506-26191-00 | SPRING, TENSION | 1 | |
| 10 | J55-27270-00-00 | ADJUSTER ASSEMBLY | 1 | |
| 11 | J10-27286-00-00 | COVER, DUST | 1 | |
| 12 | 92995-06100-00 | WASHER, SPRING | 2 | |
| 13 | 95380-06600-00 | NUT | 2 | |
| 14 | 90201-121H8-00 | WASHER, PLATE | 1 | |
| 15 | 90201-121H9-00 | WASHER, PLATE | 1 | |
| 16 | 97011-08016-00 | BOLT | 4 | |
| 17 | 92990-08100-00 | WASHER | 4 | |

BRAKE 3



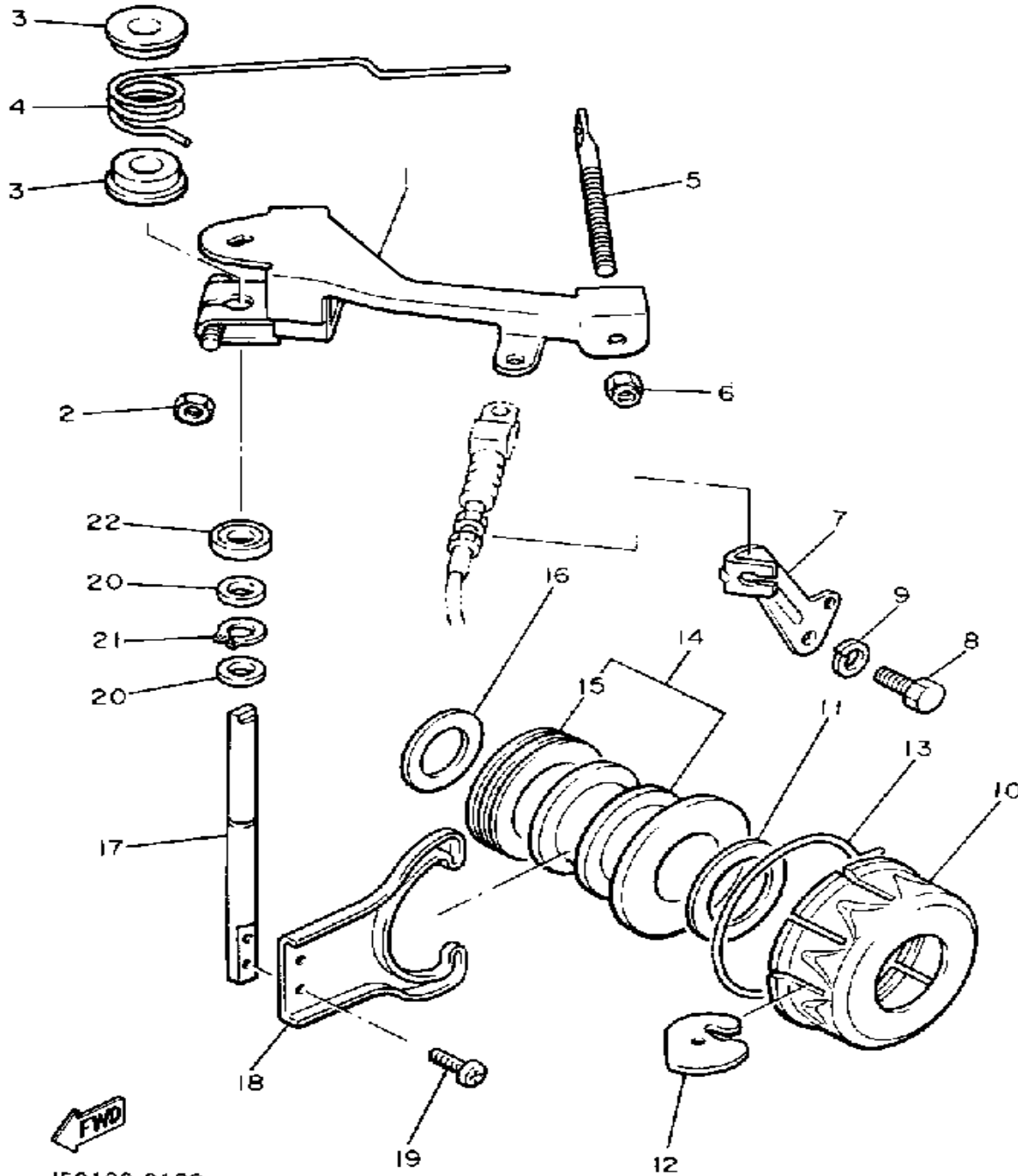
| Ref. No. | Part Number | Description | Qty | Remarks |
|----------|-----------------|------------------------------------|-----|---------|
| 1 | J17-27209-00-00 | BACKING PLATE SUB ASSEMBLY 2 (L.H) | 1 | |
| 2 | J55-W2536-00-00 | BRAKE SHOE SET | 1 | |
| 3 | J17-27206-00-00 | ANCHOR BODY COMP. | 1 | |
| 4 | J38-27205-00-00 | LEVER ASSEMBLY 2 | 1 | |
| 5 | J55-25357-00-00 | . SPRING, LEVER | 1 | |
| 6 | J10-27281-00-00 | SPRING, SHOE CLAMP | 2 | |
| 7 | J10-27282-00-00 | PIN, SHOE HOLD DOWN | 2 | |
| 8 | 90506-20281-00 | SPRING, TENSION | 1 | |
| 9 | 90506-26191-00 | SPRING, TENSION | 1 | |
| 10 | J55-27260-00-00 | ADJUSTER ASSEMBLY | 1 | |
| 11 | J10-27286-00-00 | COVER, DUST | 1 | |
| 12 | 92995-06100-00 | WASHER, SPRING | 2 | |
| 13 | 95380-06600-00 | NUT | 2 | |
| 14 | 90201-121H8-00 | WASHER, PLATE | 1 | |
| 15 | 90201-121H9-00 | WASHER, PLATE | 1 | |
| 16 | 97011-08016-00 | BOLT | 4 | |
| 17 | 92990-08100-00 | WASHER | 4 | |

ACCELERATOR



| Ref. No. | Part Number | Description | Qty | Remarks |
|----------|-----------------|----------------------------------|-----|---------|
| 1 | J38-27874-00-00 | BRACKET, ACCELERATOR PEDAL | 1 | |
| 2 | J17-27853-00-00 | SHAFT, PEDAL 1 | 1 | |
| 3 | J38-27872-00-00 | ARM, ACCELERATOR | 1 | |
| 4 | 91609-60028-00 | PIN, SPRING | 1 | |
| 5 | 91609-35028-00 | PIN, SPRING | 1 | |
| 6 | JF3-27871-00-00 | PEDAL, ACCELERATOR | 1 | |
| 7 | 97011-06025-00 | BOLT (97001-06025) | 1 | |
| 8 | 92995-06100-00 | WASHER, SPRING | 1 | |
| 9 | 90106-08040-00 | BOLT, RD. HEX | 1 | |
| 10 | 95303-08700-00 | NUT | 1 | |
| 11 | 90384-14080-00 | BUSH, BIMETAL | 2 | |
| 12 | 93210-14104-00 | O-RING | 4 | |
| 13 | 97011-06016-00 | BOLT | 4 | |
| 14 | 92995-06100-00 | WASHER, SPRING | 4 | |
| 15 | 90506-26282-00 | SPRING, TENSION | 1 | |
| 16 | J50-F6311-00-00 | CABLE, THROTTLE 1 | 1 | |
| 17 | 91702-05012-00 | PIN | 1 | |
| 18 | 90468-10050-00 | CLIP | 1 | |
| 19 | 90508-16460-00 | SPRING, TORSION | 1 | |
| 20 | 90560-05001-00 | SPACER | 1 | |
| 21 | J38-27981-00-00 | BRACKET, THROTTLE | 1 | |
| 22 | 97011-06025-00 | BOLT (97001-06025) | 1 | |
| 23 | 95380-06700-00 | NUT | 1 | |
| 24 | 90465-08334-00 | CLAMP | 1 | |

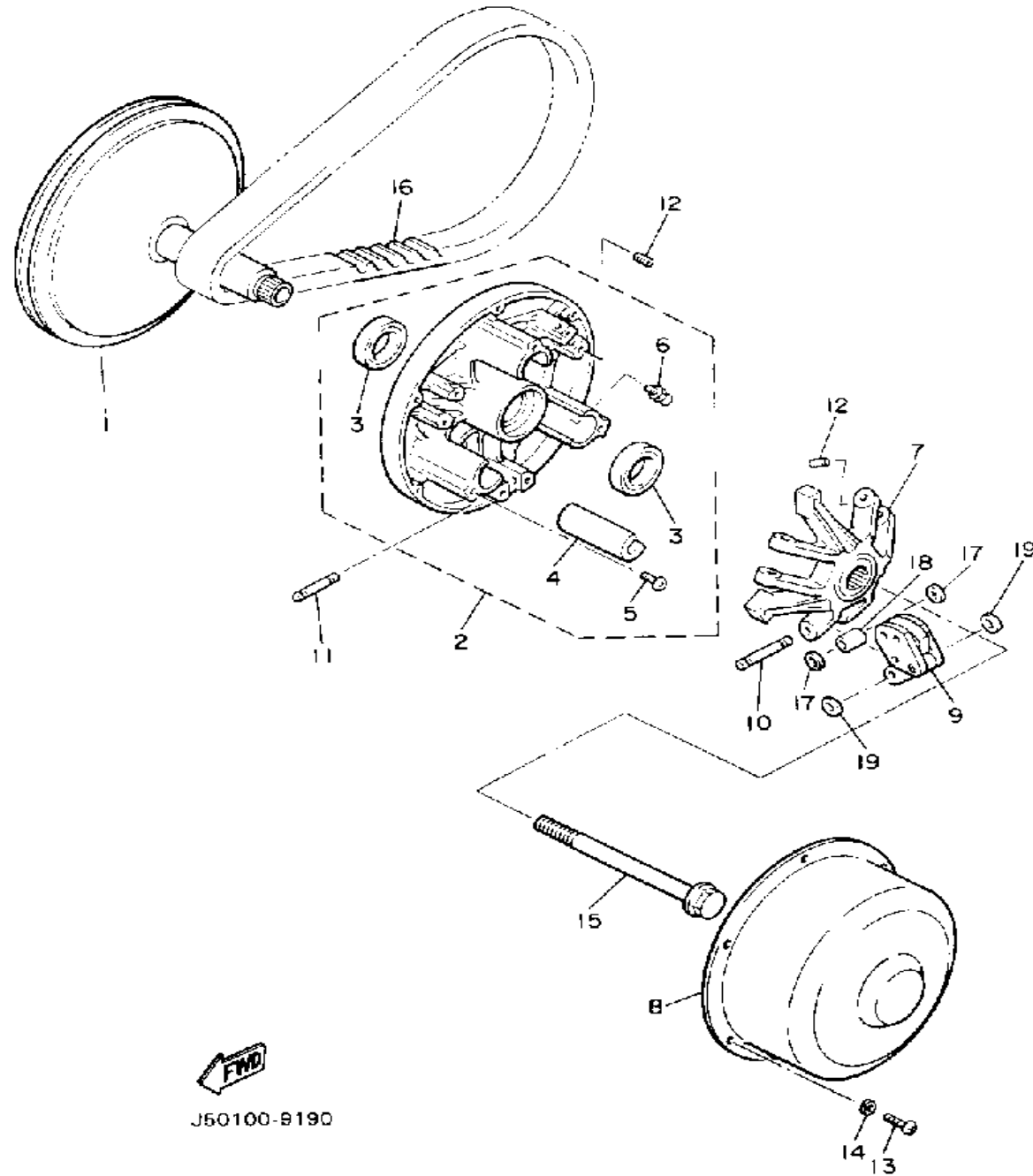
GOVERNOR



J50100-9180

| Ref. No. | Part Number | Description | Qty | Remarks |
|----------|-----------------|-------------------|-----|---------|
| 1 | J38-27951-00-00 | LEVER, SPEED | 1 | |
| 2 | 95380-06600-00 | NUT | 1 | |
| 3 | 90386-08141-00 | BUSH | 2 | |
| 4 | 90508-40678-00 | SPRING, TORSION | 1 | |
| 5 | J38-27959-00-00 | SCREW, ADJUSTING | 1 | |
| 6 | 95701-06300-00 | NUT, NYLON | 1 | |
| 7 | J38-27982-00-00 | BRACKET, WIRE | 1 | |
| 8 | 97011-08016-00 | BOLT | 1 | |
| 9 | 92990-08100-00 | WASHER | 1 | |
| 10 | J10-27912-00-00 | RETAINER | 1 | |
| 11 | 90387-21690-00 | COLLAR | 1 | |
| 12 | J10-27913-00-00 | WEIGHT | 12 | |
| 13 | J10-27911-00-00 | HOLDER | 1 | |
| 14 | J10-27927-00-00 | LIFTER | 1 | |
| 15 | 93342-22502-00 | . BEARING, THRUST | 1 | |
| 16 | 90201-20275-00 | WASHER, PLATE | 1 | |
| 17 | J38-27921-00-00 | SHAFT, GOVERNOR | 1 | |
| 18 | J10-27922-00-00 | FORK, GOVERNOR | 1 | |
| 19 | 90157-04092-00 | SCREW, PAN HEAD | 2 | |
| 20 | 90202-08110-00 | WASHER, PLATE | 2 | |
| 21 | 99009-06600-00 | CIRCLIP | 1 | |
| 22 | 93109-08050-00 | OIL SEAL | 1 | |

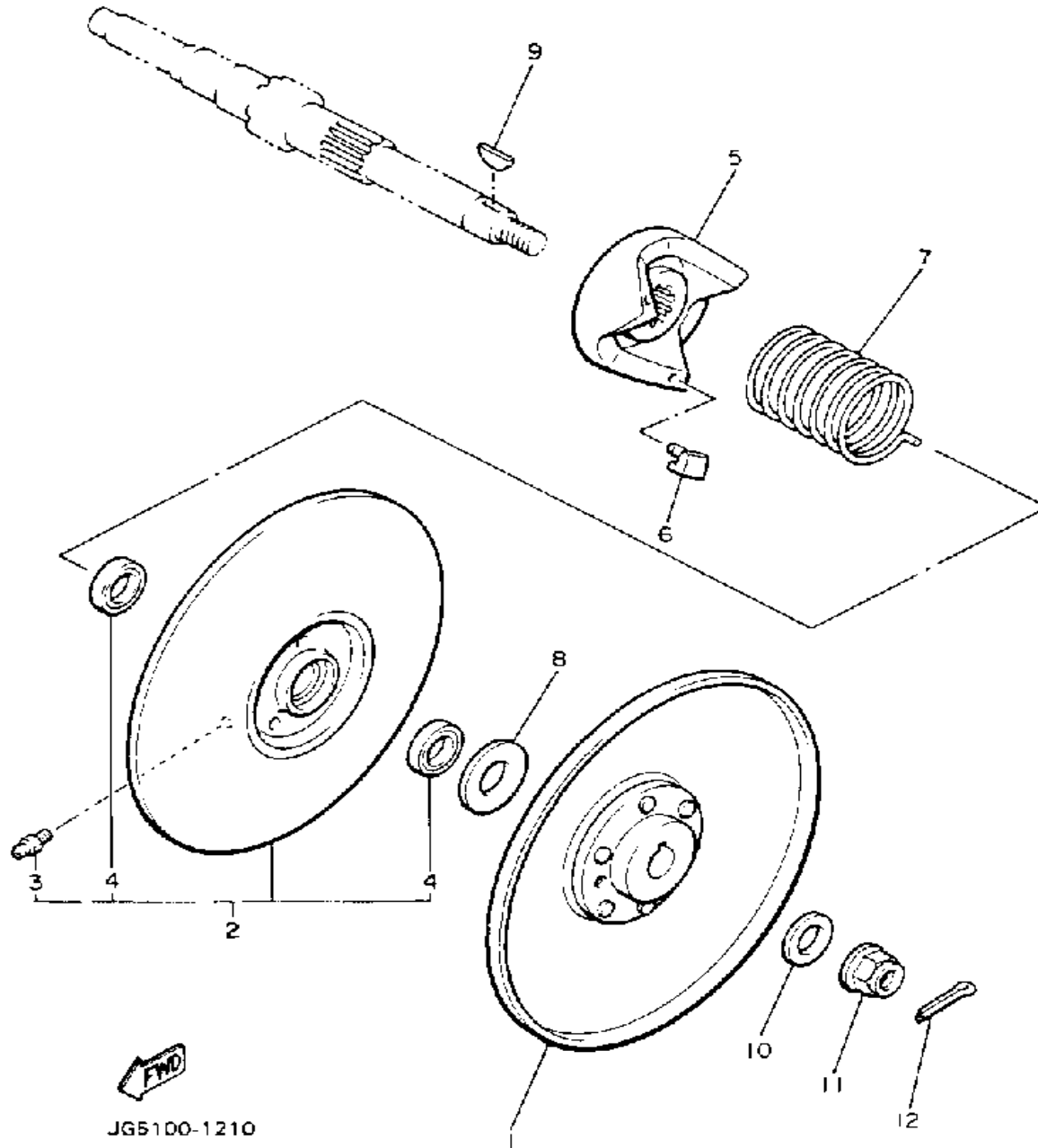
PRIMARY SHEAVE



J50100-9190

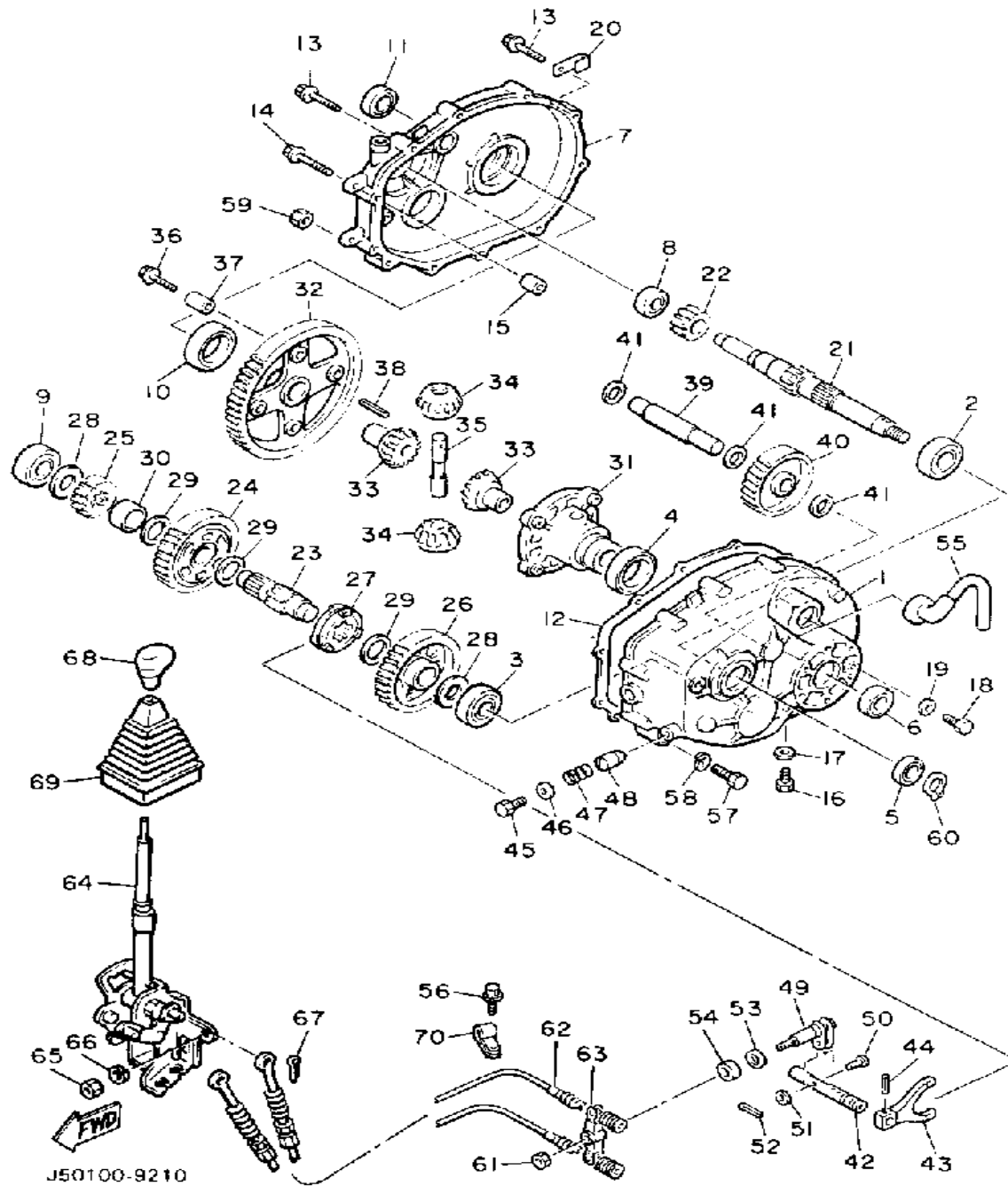
| Ref. No. | Part Number | Description | Qty | Remarks |
|----------|-----------------|---------------------------------|-----|---------|
| 1 | J38-46210-00-00 | PRIMARY FIXED | 1 | |
| 2 | J38-46220-00-00 | PRIMARY SLIDING SHEAVE COMP. | 1 | |
| 3 | 93102-28348-00 | . OIL SEAL | 2 | |
| 4 | J38-46253-00-00 | . SLIDER | 3 | |
| 5 | 98901-05008-00 | . SCREW, BIND | 3 | |
| 6 | 93700-06M03-00 | . NIPPLE, GREASE | 1 | |
| 7 | J38-46251-00-00 | SPIDER | 1 | |
| 8 | J38-46231-00-00 | CAP | 1 | |
| 9 | J38-46205-01-00 | WEIGHT LINK ASSEMBLY | 3 | |
| 10 | J38-46236-00-00 | PIN, WEIGHT | 3 | |
| 11 | J38-46237-00-00 | PIN, WEIGHT 2 | 3 | |
| 12 | 90113-04050-00 | BOLT, SET | 12 | |
| 13 | 98580-05010-00 | SCREW, PAN HEAD | 6 | |
| 14 | 92990-05100-00 | WASHER, SPRING | 6 | |
| 15 | J38-46249-00-00 | BOLT | 1 | |
| 16 | J55-G6241-00-00 | BELT | 1 | |
| 17 | 90202-07164-00 | WASHER, PLATE | 6 | |
| 18 | 90387-076U6-00 | COLLAR | 3 | |
| 19 | 90202-07186-00 | WASHER, PLATE | 6 | |

SECONDARY SHEAVE



| Ref. No. | Part Number | Description | Qty | Remarks |
|----------|-----------------|--|-----|---------|
| 1 | J55-G6260-00-00 | SECONDARY FIXED SHEAVE COMP. | 1 | |
| 2 | J55-G6270-02-00 | SECONDARY SLIDING SHEAVE COMP. | 1 | |
| 3 | 93700-06M03-00 | . NIPPLE, GREASE | 1 | |
| 4 | 93102-20309-00 | . SEAL, OIL | 2 | |
| 5 | J38-46284-00-00 | SEAT, SEC SPRING | 1 | |
| 6 | 801-17688-10-00 | SHOE, RAMP | 3 | |
| 7 | 90508-45679-00 | SPRING, TORSION | 1 | |
| 8 | 90202-20130-00 | WASHER, PLAIN | 1 | |
| 9 | 90280-05022-00 | KEY, WOODRUFF | 1 | |
| 10 | 90201-12588-00 | WASHER, PLATE | 1 | |
| 11 | 95601-12200-00 | NUT, SELF-LOCKING | 1 | |
| 12 | 91401-25030-00 | PIN, COTTER | 1 | |

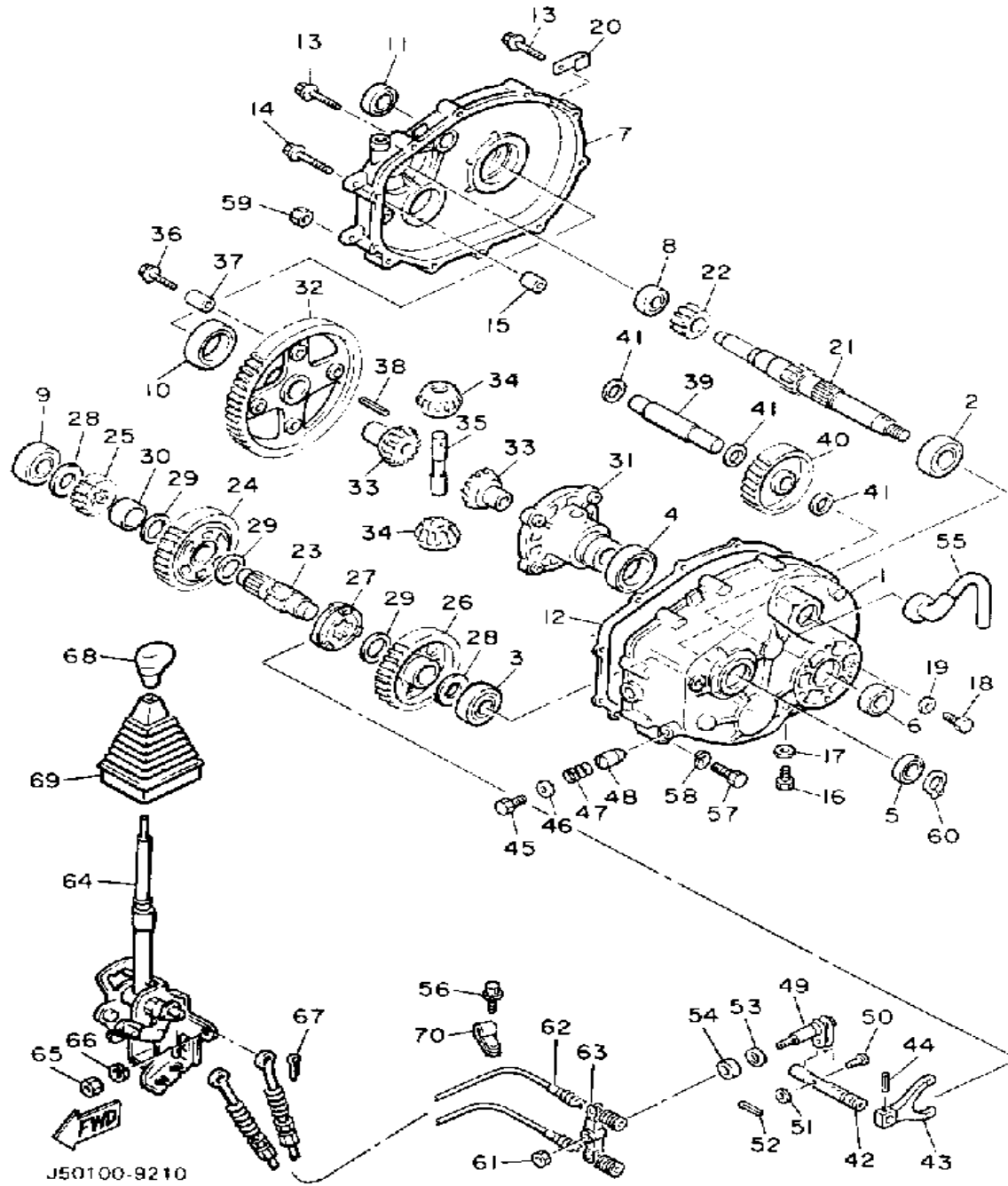
TRANSMISSION



| Ref. No. | Part Number | Description | Qty | Remarks |
|----------|-----------------|----------------------------|-----|---------|
| 1 | J38-46311-00-00 | CASE, TRANSMISSION 1 | 1 | |
| 2 | 93306-20541-00 | BEARING (B6205) | 1 | |
| 3 | 93306-20421-00 | BEARING | 1 | |
| 4 | 93306-00803-00 | BEARING (B6008) | 1 | |
| 5 | 93102-25017-00 | OIL SEAL | 1 | |
| 6 | 93102-22189-00 | OIL SEAL | 1 | |
| 7 | J38-46312-00-00 | CASE, TRANS 2 | 1 | |
| 8 | 93306-20324-00 | BEARING | 1 | |
| 9 | 93306-20421-00 | BEARING | 1 | |
| 10 | 93306-00803-00 | BEARING (B6008) | 1 | |
| 11 | 93102-22189-00 | OIL SEAL | 1 | |
| 12 | J38-46319-01-00 | GASKET | 1 | |
| 13 | 95811-08040-00 | BOLT, FLANGE | 7 | |
| 14 | 95811-08050-00 | BOLT, FLANGE (95812-08050) | 2 | |
| 15 | 99510-12016-00 | PIN, DOWEL | 2 | |
| 16 | 90340-14036-00 | PLUG, STRAIGHT SCRW | 1 | |
| 17 | 90430-14043-00 | GASKET | 1 | |
| 18 | 90101-08344-00 | BOLT | 1 | |
| 19 | 90201-08087-00 | WASHER, PLATE | 1 | |
| 20 | 90465-06100-00 | CLAMP | 1 | |
| 21 | J38-46321-02-00 | SHAFT, INPUT | 1 | |
| 22 | J38-46331-01-00 | GEAR, INPUT 1 | 1 | |
| 23 | J38-46351-00-00 | SHAFT, COUNTER | 1 | |
| 24 | J38-46361-01-00 | GEAR, COUNTER 1 | 1 | |
| 25 | J38-46362-00-00 | GEAR, COUNTER 2 | 1 | |
| 26 | J38-46363-00-00 | GEAR, REVERSE | 1 | |
| 27 | J38-4636A-00-00 | DOG, CLUTCH | 1 | |
| 28 | 90201-204K8-00 | WASHER, PLATE | 2 | |
| 29 | 90201-257J2-00 | WASHER, PLATE | 3 | |

CONTINUED ON NEXT FRAME ➤

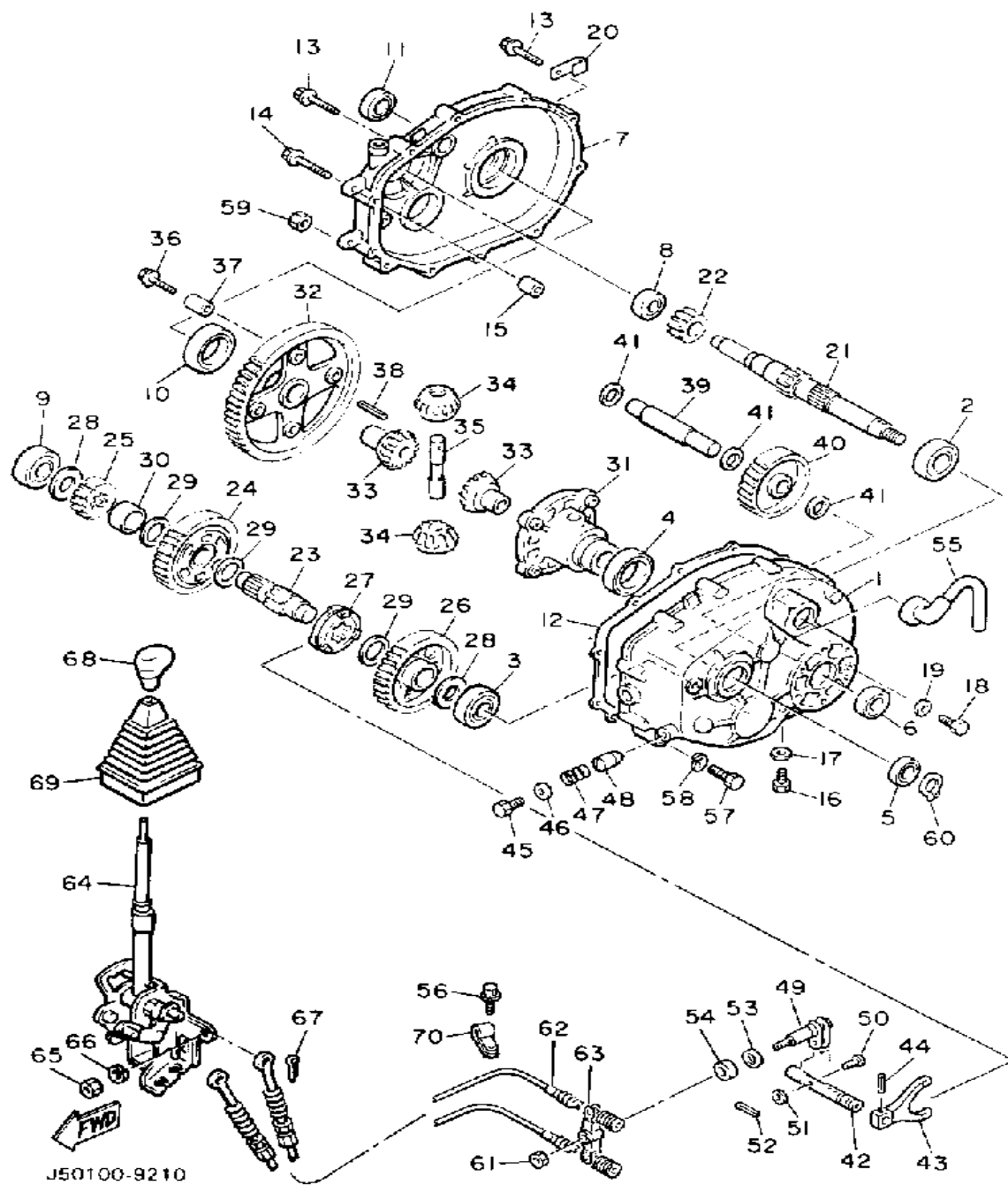
TRANSMISSION



| Ref. No. | Part Number | Description | Qty | Remarks |
|----------|-----------------|-------------------------|-----|---------|
| 30 | 90387-252M8-00 | COLLAR | 1 | |
| 31 | J38-46411-01-00 | CASE, DIFFERENTIAL | 1 | |
| 32 | J38-46421-01-00 | GEAR, RING | 1 | |
| 33 | J38-46414-00-00 | GEAR, DIFFERENTIAL SIDE | 2 | |
| 34 | J38-46415-00-00 | PINION, DIFFERENTIAL | 2 | |
| 35 | J38-46417-02-00 | PIN, DIFFERENTIAL | 1 | |
| 36 | 90105-08390-00 | BOLT, WASHER BASED | 4 | |
| 37 | 91812-16001-00 | PIN, DOWEL | 2 | |
| 38 | 91609-40040-00 | PIN, SPRING | 1 | |
| 39 | J38-46348-00-00 | SHAFT 2 | 1 | |
| 40 | J38-46356-00-00 | GEAR, IDLER | 1 | |
| 41 | 90201-17713-00 | WASHER, PLATE | 3 | |
| 42 | J38-4633A-00-00 | BAR, SHIFT FORK GUIDE | 1 | |
| 43 | J38-46338-00-00 | FORK, SHIFT | 1 | |
| 44 | 91609-40020-00 | PIN, SPRING | 1 | |
| 45 | 90101-08344-00 | BOLT | 1 | |
| 46 | 90201-08087-00 | WASHER, PLATE | 1 | |
| 47 | 90501-10060-00 | SPRING, COMPRESSION | 1 | |
| 48 | 90249-07215-00 | PIN | 1 | |
| 49 | J38-46384-00-00 | LEVER, SHIFT 3 | 1 | |
| 50 | 91701-06022-00 | PIN, CLEVIS | 1 | |
| 51 | 92990-06200-00 | WASHER | 1 | |
| 52 | 91490-20020-00 | PIN, COTTER | 1 | |
| 53 | 90201-12166-00 | WASHER, PLATE | 1 | |
| 54 | 93102-12224-00 | OIL SEAL | 1 | |
| 55 | 835-47559-00-00 | CAP 2 | 1 | |
| 56 | 95811-08040-00 | BOLT, FLANGE | 1 | |
| 57 | 97022-08075-00 | BOLT | 1 | |
| 58 | 92990-08100-00 | WASHER | 1 | |

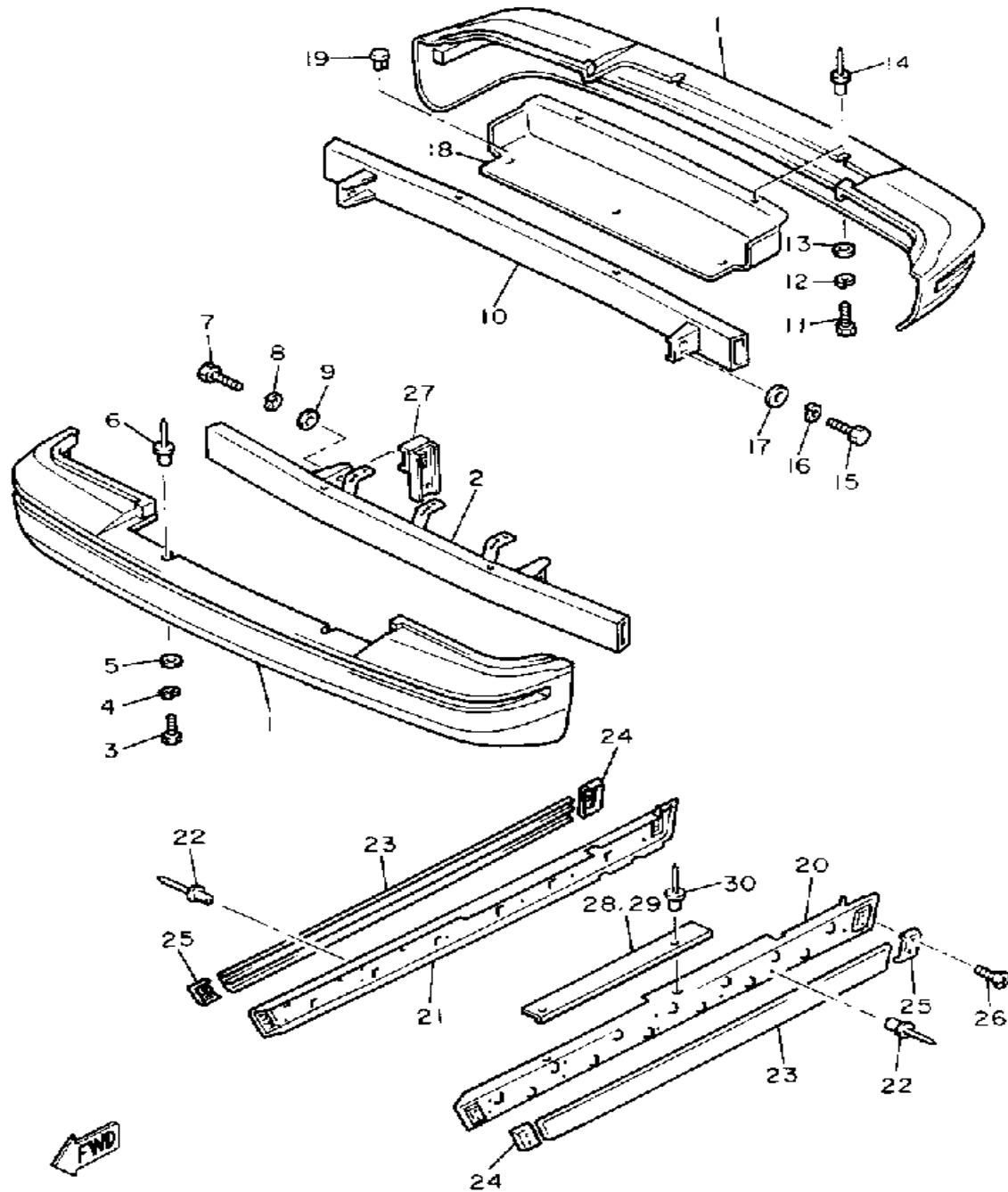
CONTINUED ON NEXT FRAME ➤

TRANSMISSION



| Ref. No. | Part Number | Description | Qty | Remarks |
|----------|-----------------|----------------------|-----|---------|
| 59 | 95333-08600-00 | NUT | 1 | |
| 60 | 93410-25017-00 | CIRCLIP | 1 | |
| 61 | 95611-08100-00 | NUT, U | 1 | |
| 62 | J50-G6371-00-00 | WIRE, SHIFT | 2 | |
| 63 | J55-G6383-00-00 | LEVER, SHIFT | 1 | |
| 64 | J50-46382-00-00 | LEVER, SHIFT 1 | 1 | |
| 65 | 95333-08600-00 | NUT | 3 | |
| 66 | 92990-08100-00 | WASHER | 3 | |
| 67 | 91490-20020-00 | PIN, COTTER | 2 | |
| 68 | 7Y6-52625-00-00 | KNOB | 1 | |
| 69 | J50-46394-00-00 | JOINT | 1 | |
| 70 | 90461-08106-00 | CLAMP | 1 | |

BUMPER

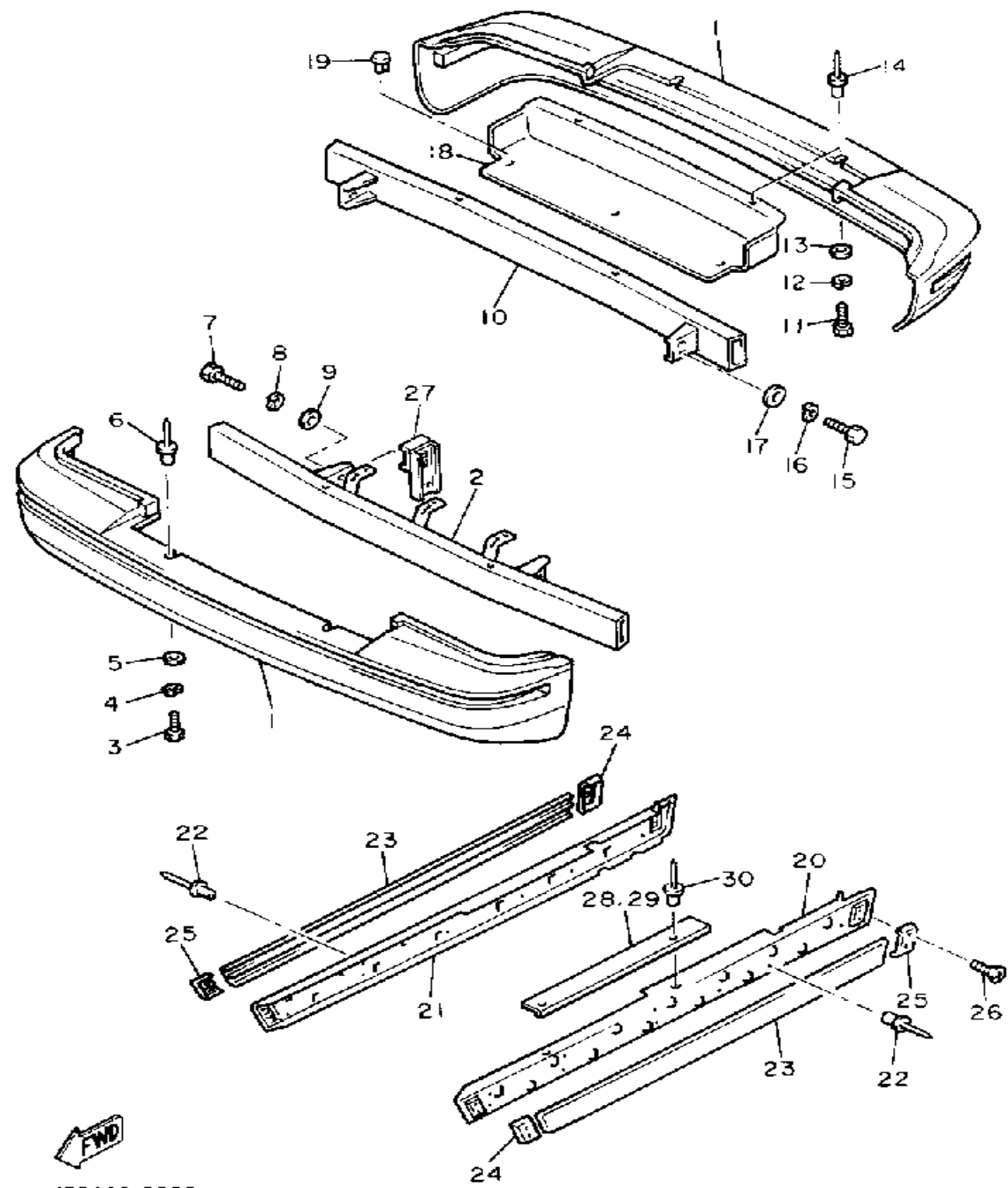


J50100-9230

| Ref. No. | Part Number | Description | Qty | Remarks |
|----------|-----------------|---------------------------------------|-----|---------|
| 1 | J50-K8163-01-00 | COVER, FRONT BUMPER (J50-K8163-00) | 2 | |
| 2 | J50-K7511-01-00 | BUMPER, FRONT 1 (J50-K7511-00) | 1 | |
| 3 | 97395-06020-00 | BOLT, HEXAGON | 2 | |
| 4 | 92995-06100-00 | WASHER, SPRING | 2 | |
| 5 | 90201-06697-00 | WASHER, PLATE | 2 | |
| 6 | 90267-47150-00 | RIVET, BLIND | 2 | |
| 7 | 97313-08020-00 | BOLT, HEXAGON | 8 | |
| 8 | 92990-08100-00 | WASHER | 8 | |
| 9 | 92990-08600-00 | WASHER, PLATE | 8 | |
| 10 | J50-K7541-01-00 | BUMPER, REAR 1 (J50-K7541-00) | 1 | |
| 11 | 97395-06020-00 | BOLT, HEXAGON | 2 | |
| 12 | 92995-06100-00 | WASHER, SPRING | 2 | |
| 13 | 90201-06697-00 | WASHER, PLATE | 2 | |
| 14 | 90267-47150-00 | RIVET, BLIND | 2 | |
| 15 | 97313-08020-00 | BOLT, HEXAGON | 4 | |
| 16 | 92990-08100-00 | WASHER | 4 | |
| 17 | 92990-08600-00 | WASHER, PLATE | 4 | |
| 18 | J50-K7551-00-00 | PROTECTOR 1 | 1 | |
| 19 | 90267-63047-00 | RIVET, BLIND | 3 | |
| 20 | J50-WK811-00-00 | PLATE, SD.SL.KIT-LH | 1 | |
| 21 | J50-WK812-00-00 | PLATE, SD.SL.KIT-RH | 1 | |
| 22 | 90267-48139-00 | RIVET, BLIND | 16 | |
| 23 | J55-K818A-00-00 | PROTECTOR, SIDE PLT | 2 | |
| 24 | J38-7818E-00-00 | CAP, PROTECT.END 1 | 2 | |
| 25 | J38-7818F-00-00 | CAP, PROTECT.END 2 | 2 | |
| 26 | 98606-06014-00 | SCREW, OVAL HEAD (92606-06014) | 8 | |

CONTINUED ON NEXT FRAME ►

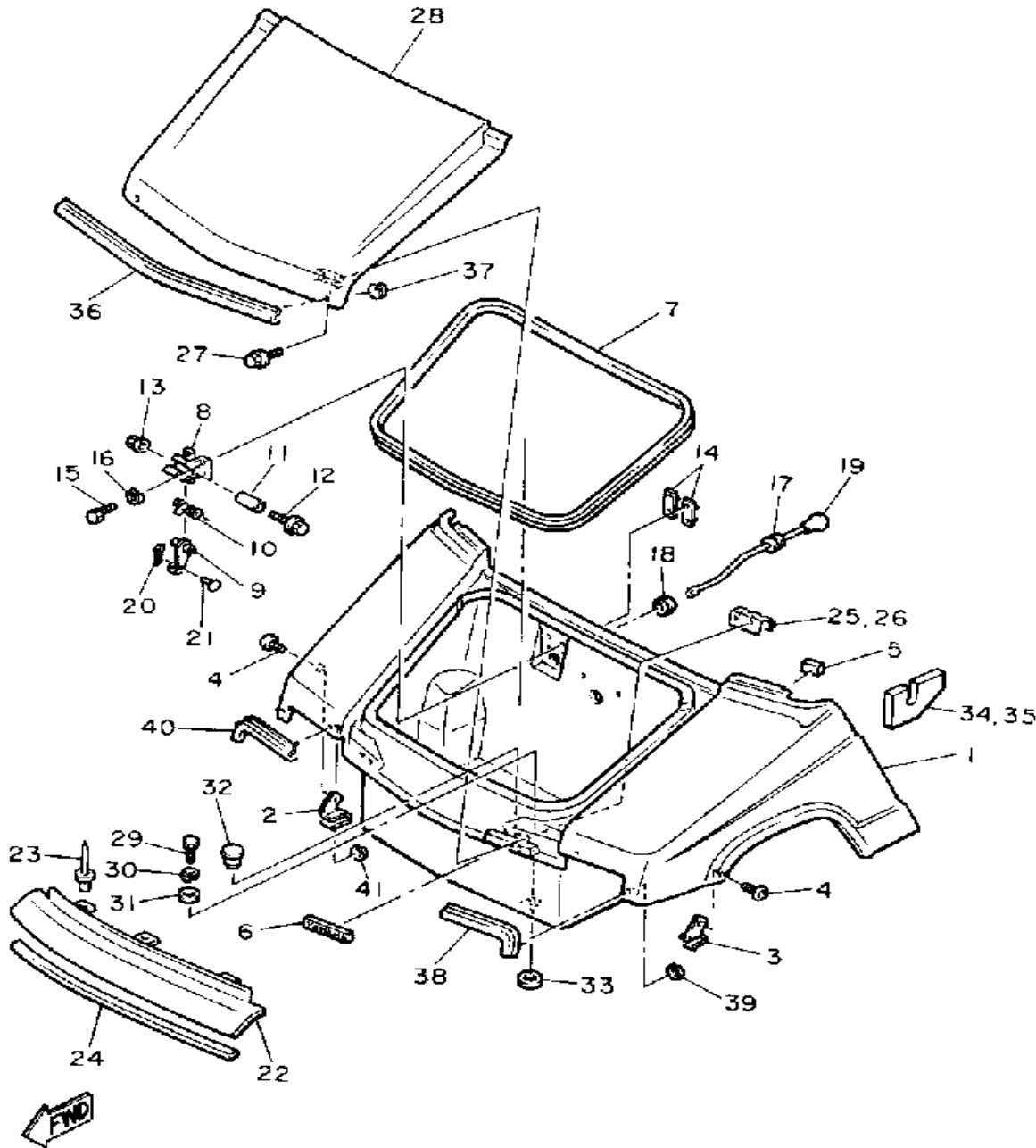
BUMPER



| Ref. No. | Part Number | Description | Qty | Remarks |
|----------|-----------------|---------------------|-----|---------|
| 27 | J50-F251G-00-00 | SUPPORT, FRT.BUMPER | 2 | |
| 28 | J50-78215-00-00 | PLATE, SIDE TRIM | 1 | |
| 29 | J50-7821F-00-00 | PLATE, SIDE TRIM | 1 | |
| 30 | 90267-40054-00 | RIVET, BLIND | 4 | |

FWD
J50100-9230

BODY

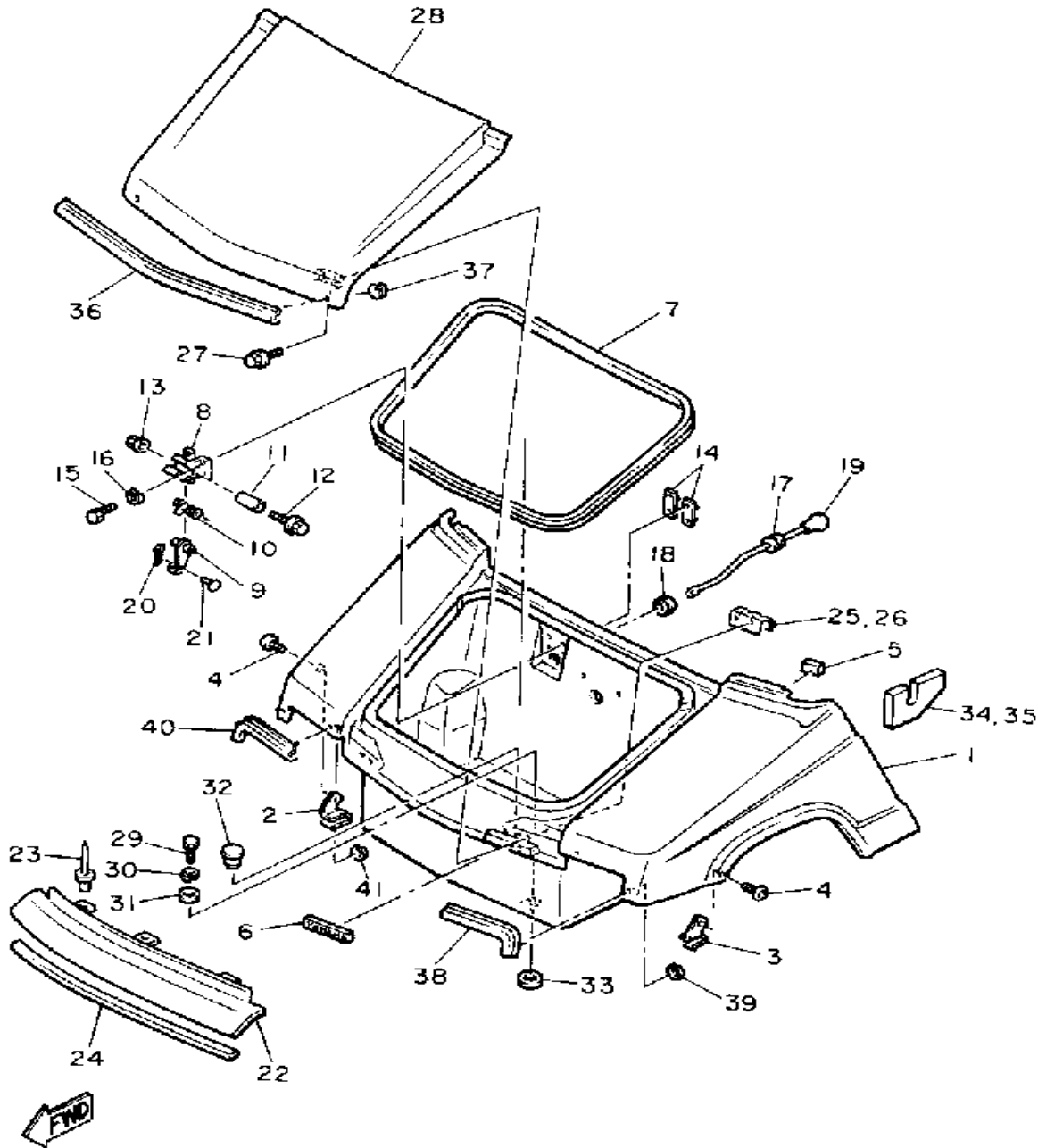


J50100-9250

| Ref. No. | Part Number | Description | Qty | Remarks |
|----------|-----------------|---|-----|---------|
| 1 | J50-K819A-00-00 | SHELL, FRNT.STORAGE | 1 | |
| 2 | J50-77532-00-00 | BRACKET, FRONT R | 1 | |
| 3 | J50-77533-00-00 | BRACKET, REAR L | 1 | |
| 4 | 90110-06102-00 | BOLT, HEXAGON SOCKET HEAD | 2 | |
| 5 | J50-78248-00-00 | SEAL 4 | 2 | |
| 6 | 25G-21578-00-00 | EMBLEM | 1 | |
| 7 | J50-7815G-00-00 | SEAL, FRONT STORAGE | 1 | |
| 8 | J50-7814W-00-00 | BRACKET, BODY LOCK | 1 | |
| 9 | J50-7814H-00-00 | HOOK, BODY LOCK | 1 | |
| 10 | 90508-15752-00 | SPRING, TORSION | 1 | |
| 11 | 90387-055U1-00 | COLLAR | 1 | |
| 12 | 90105-05126-00 | BOLT, WASHER BASED | 1 | |
| 13 | 95701-05500-00 | NUT, FLANGE | 1 | |
| 14 | J50-78118-00-00 | PLATE 2 | 2 | |
| 15 | 97001-05012-00 | BOLT (97002-05012) | 4 | |
| 16 | 92990-05100-00 | WASHER, SPRING | 4 | |
| 17 | 90480-12067-00 | GROMMET | 1 | |
| 18 | 90480-12480-00 | GROMMET | 1 | |
| 19 | J50-7814G-00-00 | LEVER, BODY LOCK | 1 | |
| 20 | 90240-03089-00 | PIN, CLEVIS | 1 | |
| 21 | 91402-12018-00 | PIN, COTTER | 1 | |
| 22 | J50-K8216-00-00 | COVER, BUMPER GAP | 1 | |
| 23 | 90267-48101-00 | RIVET, BLIND | 3 | |
| 24 | J50-78316-00-00 | DAMPER | 2 | |
| 25 | J50-78375-00-00 | SUPPORT 1 | 1 | |
| 26 | J50-78376-00-00 | SUPPORT, 2 | 1 | |
| 27 | 95811-06016-00 | BOLT, FLANGE (95822-06016) | 4 | |
| 28 | J50-K819E-00-00 | LID, FRONT STORAGE COMP. (J50-K810E-00) | 1 | |

CONTINUED ON NEXT FRAME ►

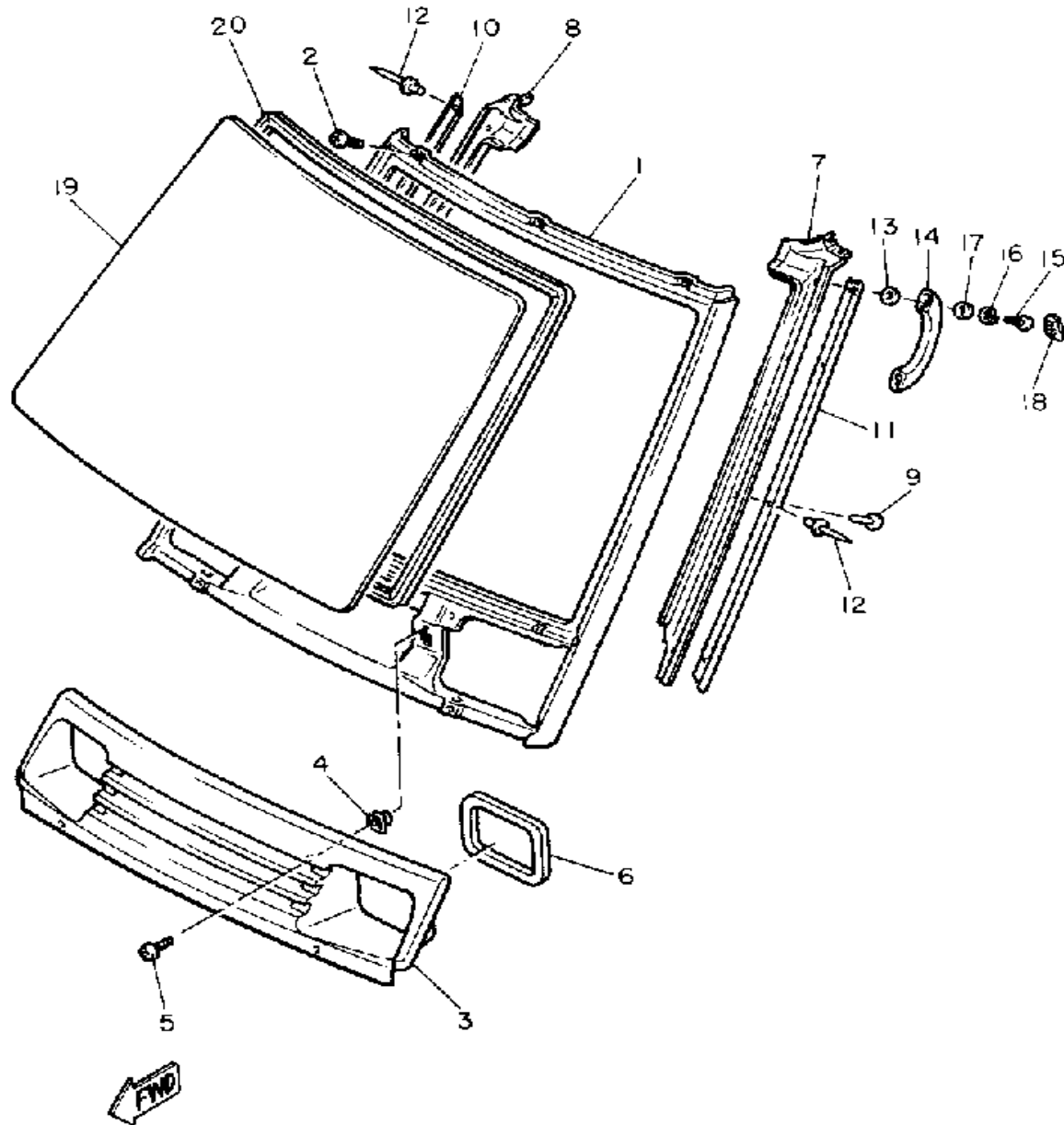
BODY



J50100-9250

| Ref. No. | Part Number | Description | Qty | Remarks |
|----------|-----------------|--------------------|-----|-----------|
| 29 | 97313-08020-00 | BOLT, HEXAGON | 2 | |
| 30 | 92990-08100-00 | WASHER | 2 | |
| 31 | 90201-08748-00 | WASHER, PLATE | 2 | |
| 32 | 90338-24112-00 | PLUG, SPEC'L SHAPE | 1 | |
| 33 | 90202-09194-00 | WASHER, PLATE | 2 | |
| 34 | J50-7814E-00-00 | SEAL, BODY SIDE 1 | 1 | |
| 35 | J50-7814F-00-00 | SEAL, BODY SIDE 2 | 1 | |
| 36 | J50-7811A-00-00 | TRIM, UPPER COWL | 1 | |
| 37 | 90183-04005-00 | NUT, SPRING | 2 | |
| 38 | J50-7816J-00-00 | TRIM, FRONT BODY 1 | 1 | |
| 39 | 90183-04005-00 | NUT, SPRING | 2 | |
| 40 | J50-7816K-00-00 | TRIM, FRONT BODY 2 | 1 | |
| 41 | 90183-04005-00 | NUT, SPRING | 2 | |
| | PNT-90000-K0-94 | QRT, NEW WHITE 5 | | NEW WHITE |

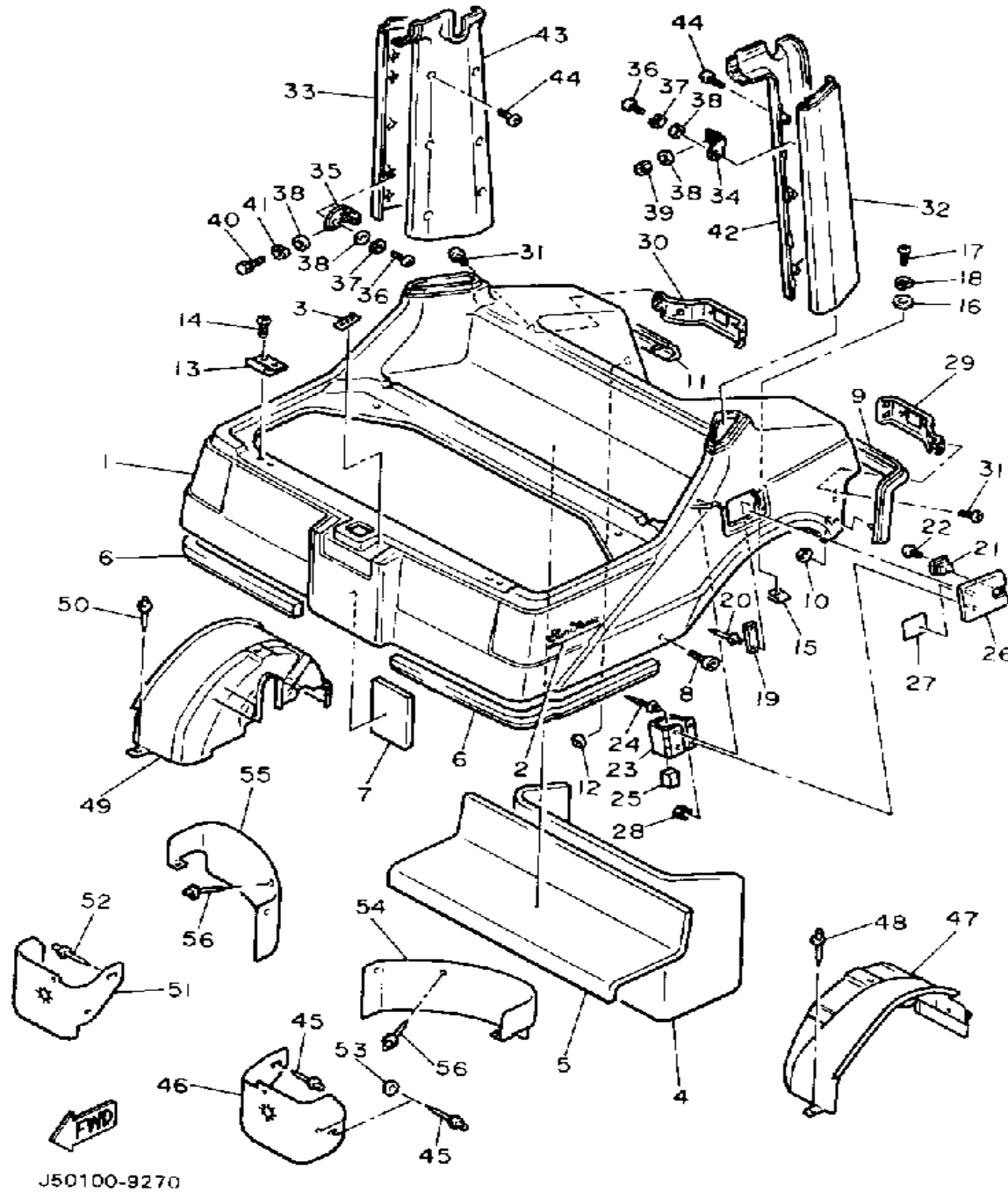
BODY 2



J50100-9260

| Ref. No. | Part Number | Description | Qty | Remarks |
|----------|-----------------|---------------------------|-----|---------|
| 1 | J50-K811J-00-00 | BASE, HEAD LIGHT | 1 | |
| 2 | 98901-08016-00 | SCREW, BIND | 5 | |
| 3 | J50-K7251-00-00 | COVER, HEADLIGHT | 1 | |
| 4 | 90183-06057-00 | NUT, SPRING | 4 | |
| 5 | 98906-06014-00 | SCREW, BIND | 4 | |
| 6 | J50-7811L-00-00 | TRIM, COWL SIDE 2 | 2 | |
| 7 | J50-K817A-00-00 | COVER, FRONT PILLAR | 1 | |
| 8 | J50-K817E-00-00 | COVER, FRONT PILLAR | 1 | |
| 9 | 90269-06063-00 | RIVET, SPEC'L SHAPE | 4 | |
| 10 | J50-7817J-00-00 | TRIM, SIDE PANEL 2 | 1 | |
| 11 | J50-7817H-00-00 | TRIM, SIDE PANEL 1 | 1 | |
| 12 | 90267-48059-00 | RIVET, BLIND | 8 | |
| 13 | 90201-05725-00 | WASHER, PLATE | 4 | |
| 14 | J50-78214-01-00 | GRIP, HAND | 2 | |
| 15 | 98580-05016-00 | SCREW, PAN HEAD | 4 | |
| 16 | 92990-05100-00 | WASHER, SPRING | 4 | |
| 17 | 92901-05600-00 | WASHER, PLATE | 4 | |
| 18 | J50-78274-00-00 | COVER, HOLE 2 | 4 | |
| 19 | J50-K7211-00-00 | WINDSHIELD | 1 | |
| 20 | J50-77213-00-00 | TRIM, UPPER | 1 | |

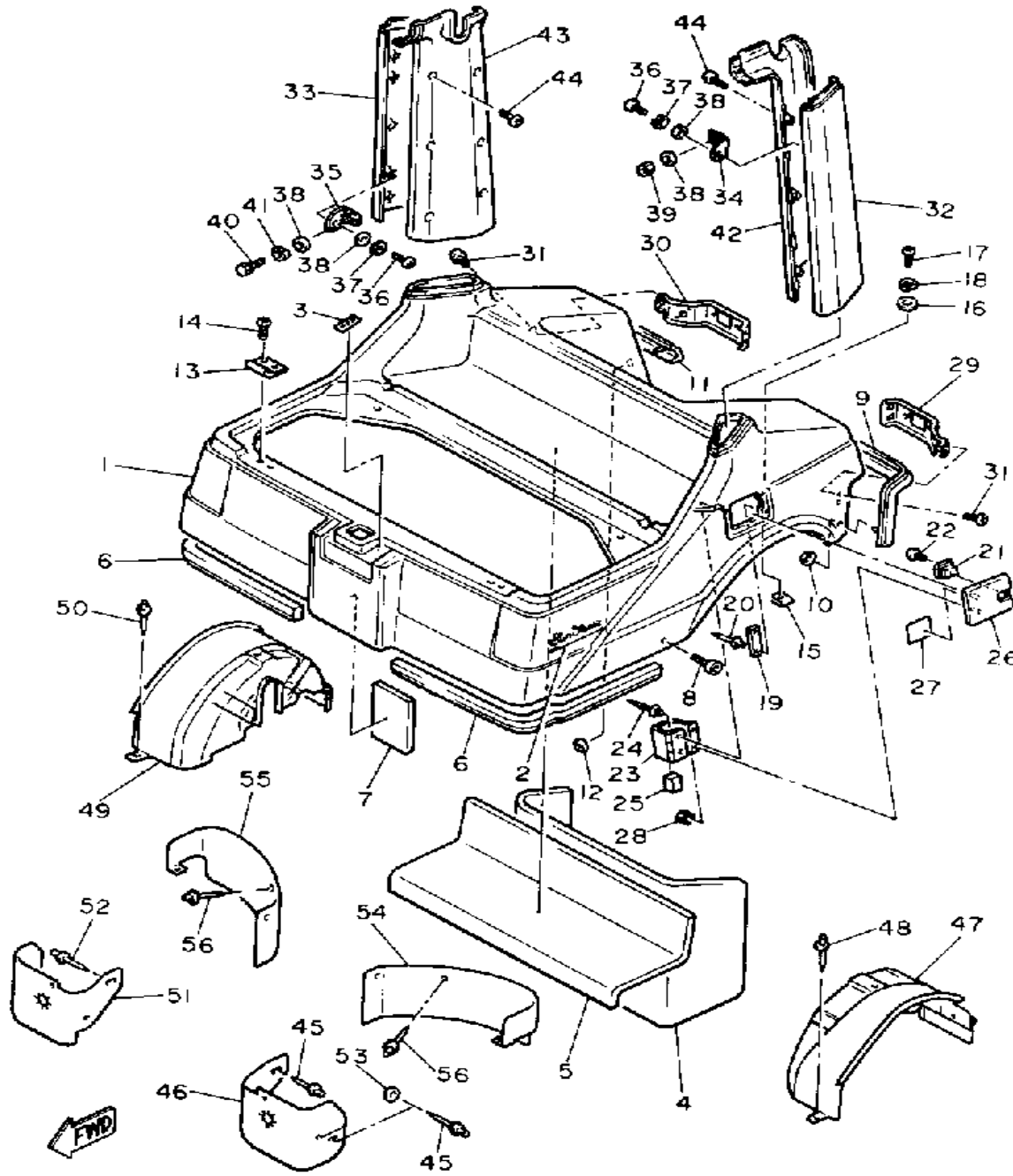
BODY 3



| Ref. No. | Part Number | Description | Qty | Remarks |
|----------|-----------------|---------------------------------|-----|---------|
| 1 | J50-K8142-01-00 | PANEL, REAR BODY (J50-K8142-00) | 1 | |
| 2 | J50-78291-01-00 | EMBLEM 1 | 2 | |
| 3 | J50-77743-00-00 | INDICATOR 3 | 1 | |
| 4 | J50-78251-00-00 | PAD, SILENCER 1 | 1 | |
| 5 | J50-78252-00-00 | PAD, SILENCER 2 | 1 | |
| 6 | J50-78253-00-00 | PAD, SILENCER 3 | 2 | |
| 7 | J50-78255-00-00 | PAD, SILENCER 5 | 1 | |
| 8 | 90110-06102-00 | BOLT, HEXAGON SOCKET HEAD | 2 | |
| 9 | J50-7824E-00-00 | TRIM, REAR BODY 1 | 1 | |
| 10 | 90183-04005-00 | NUT, SPRING | 2 | |
| 11 | J50-7824F-00-00 | TRIM, REAR BODY 2 | 1 | |
| 12 | 90183-04005-00 | NUT, SPRING | 2 | |
| 13 | J50-78427-00-00 | HINGE, SEAT 2 | 2 | |
| 14 | 90151-06010-00 | SCREW, COUNTERSUNK | 4 | |
| 15 | 90183-06028-00 | NUT, SPRING | 2 | |
| 16 | 90201-06050-00 | WASHER, PLATE | 2 | |
| 17 | 98580-06020-00 | SCREW | 2 | |
| 18 | 92995-06100-00 | WASHER, SPRING | 2 | |
| 19 | J50-7827A-00-00 | GUIDE 1 | 1 | |
| 20 | 90267-40054-00 | RIVET, BLIND | 2 | |
| 21 | 1HX-21780-00-00 | LOCK ASSEMBLY | 1 | |
| 22 | 97706-40510-00 | SCREW, TAPPING | 2 | |
| 23 | 1HX-2849E-00-00 | HINGE 4 | 1 | |
| 24 | 90267-40054-00 | RIVET, BLIND | 2 | |
| 25 | J50-7826A-00-00 | PAD BODY PROTECT 1 | 1 | |
| 26 | J50-K8272-00-00 | COVER, FUEL INLET | 1 | |
| 27 | J50-77764-01-00 | LABEL, WARNING 4 | 1 | |

CONTINUED ON NEXT FRAME ►

BODY 3

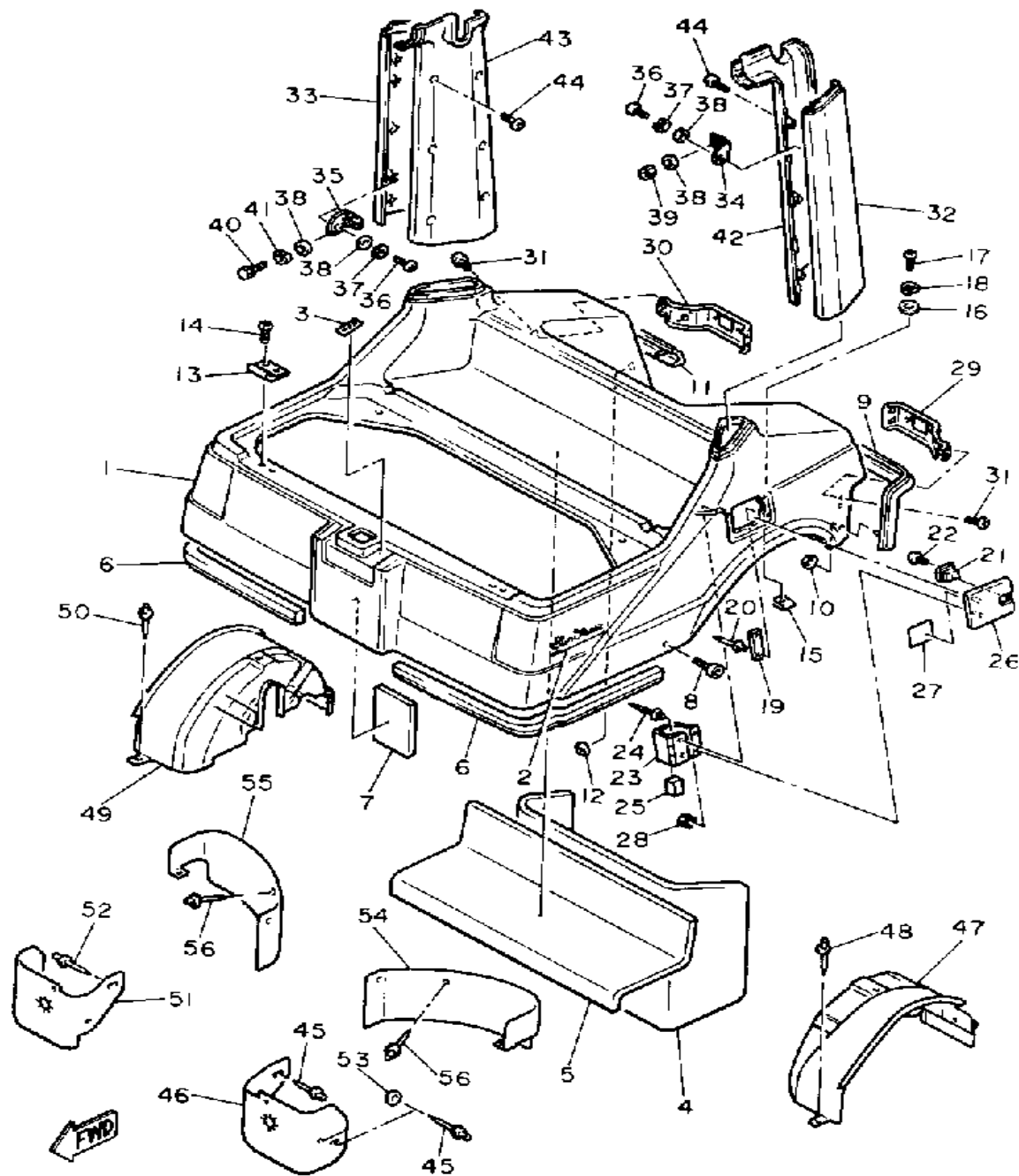


J50100-9270

| Ref. No. | Part Number | Description | Qty | Remarks |
|----------|-----------------|---|-----|---------|
| 28 | 95306-05600-00 | NUT | 2 | |
| 29 | I30--- | STAY, FLASHER 2 | | |
| | J50-H3368-00-00 | STAY, FLASHER 1 | 1 | |
| 31 | 90110-06102-00 | BOLT, HEXAGON SOCKET HEAD | 8 | |
| 32 | J50-K813F-00-00 | COVER, SIDE PILLAR | 1 | |
| 33 | J50-K813G-00-00 | COVER, SIDE PILLAR | 1 | |
| 34 | J50-7813W-00-00 | BRACKET, COVER 1 | 4 | |
| 35 | J50-7813X-00-00 | BRACKET, COVER 2 | 4 | |
| 36 | 98580-06012-00 | SCREW, PAN HEAD | 8 | |
| 37 | 92995-06100-00 | WASHER, SPRING | 8 | |
| 38 | 92990-06200-00 | WASHER | 16 | |
| 39 | 95380-06600-00 | NUT | 2 | |
| 40 | 97013-06012-00 | BOLT | 6 | |
| 41 | 92995-06100-00 | WASHER, SPRING | 6 | |
| 42 | J50-K817F-00-00 | COVER, REAR PILLAR | 1 | |
| 43 | J50-K817G-00-00 | COVER, REAR PILLAR | 1 | |
| 44 | 97780-50612-00 | SCREW, TAPPING | 12 | |
| 45 | 90267-48141-00 | RIVET, BLIND | 2 | |
| 46 | J50-7818K-00-00 | FLAP, FRONT FENDER | 1 | |
| 47 | J50-K8191-00-00 | PANEL, REAR FENDE 1 | 1 | |
| 48 | 90267-48104-00 | RIVET, BLIND | 3 | |
| 49 | J50-K8192-00-00 | PANEL, REAR FENDE 2 | 1 | |
| 50 | 90267-48104-00 | RIVET, BLIND | 3 | |
| 51 | J50-78187-00-00 | FLAP, FRONT FENDER | 1 | |
| 52 | 90267-49152-00 | RIVET, BLIND | 2 | |
| 53 | 90201-05033-00 | WASHER, PLATE | 2 | |
| 54 | J50-78185-00-00 | EXT, FRONT FENDER 1FRONT FENDER 1 | 1 | |

CONTINUED ON NEXT FRAME ►

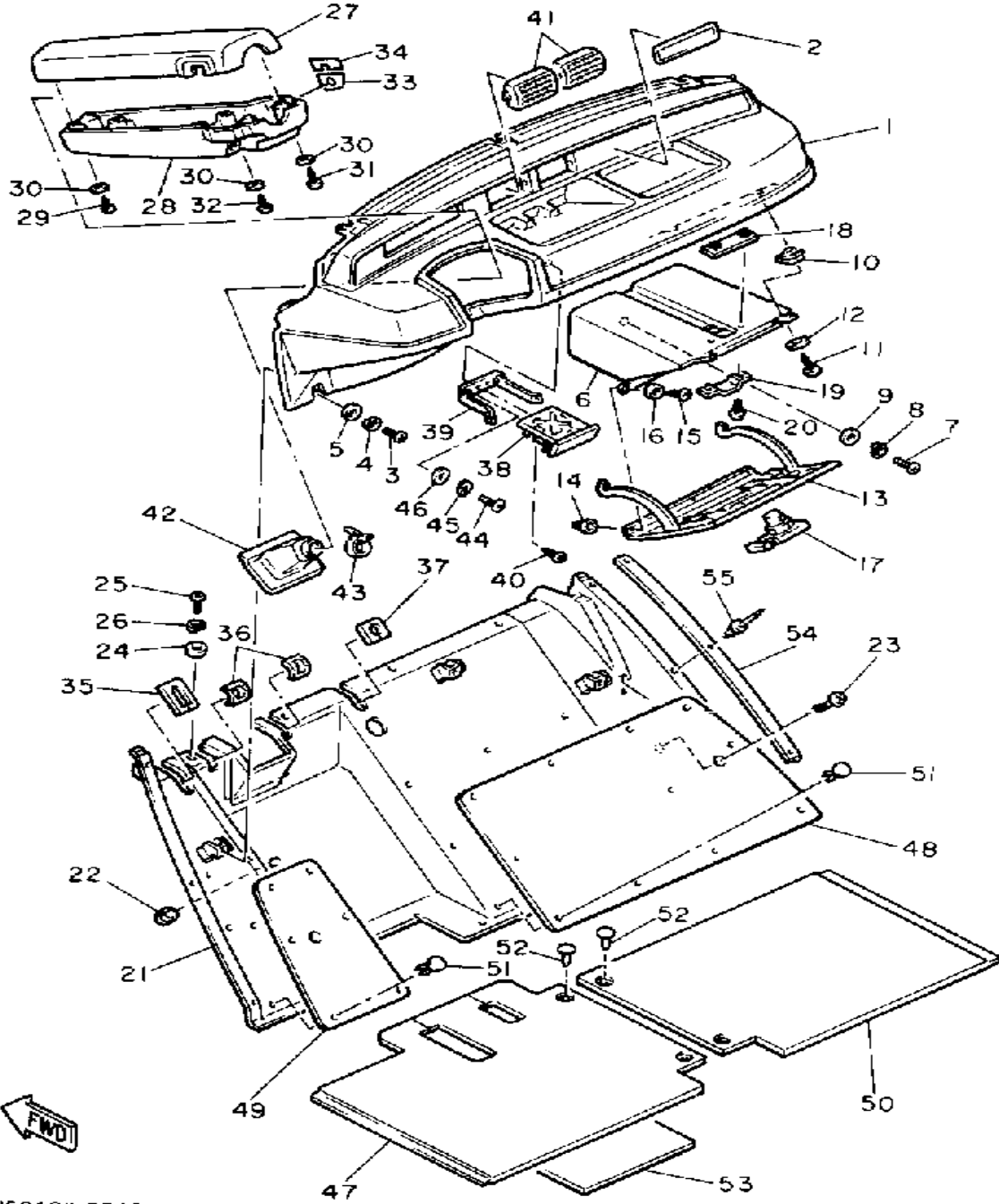
BODY 3



J50100-9270

| Ref. No. | Part Number | Description | Qty | Remarks |
|----------|-----------------|---|-----|-----------|
| 55 | J50-78186-00-00 | EXT, FRONT FENDER 2FRONT FENDER 2 | 1 | |
| 56 | 90267-48101-00 | RIVET, BLIND | 6 | |
| | PNT-90000-K0-94 | QRT, NEW WHITE 5 | | NEW WHITE |

INSTRUMENT PANEL

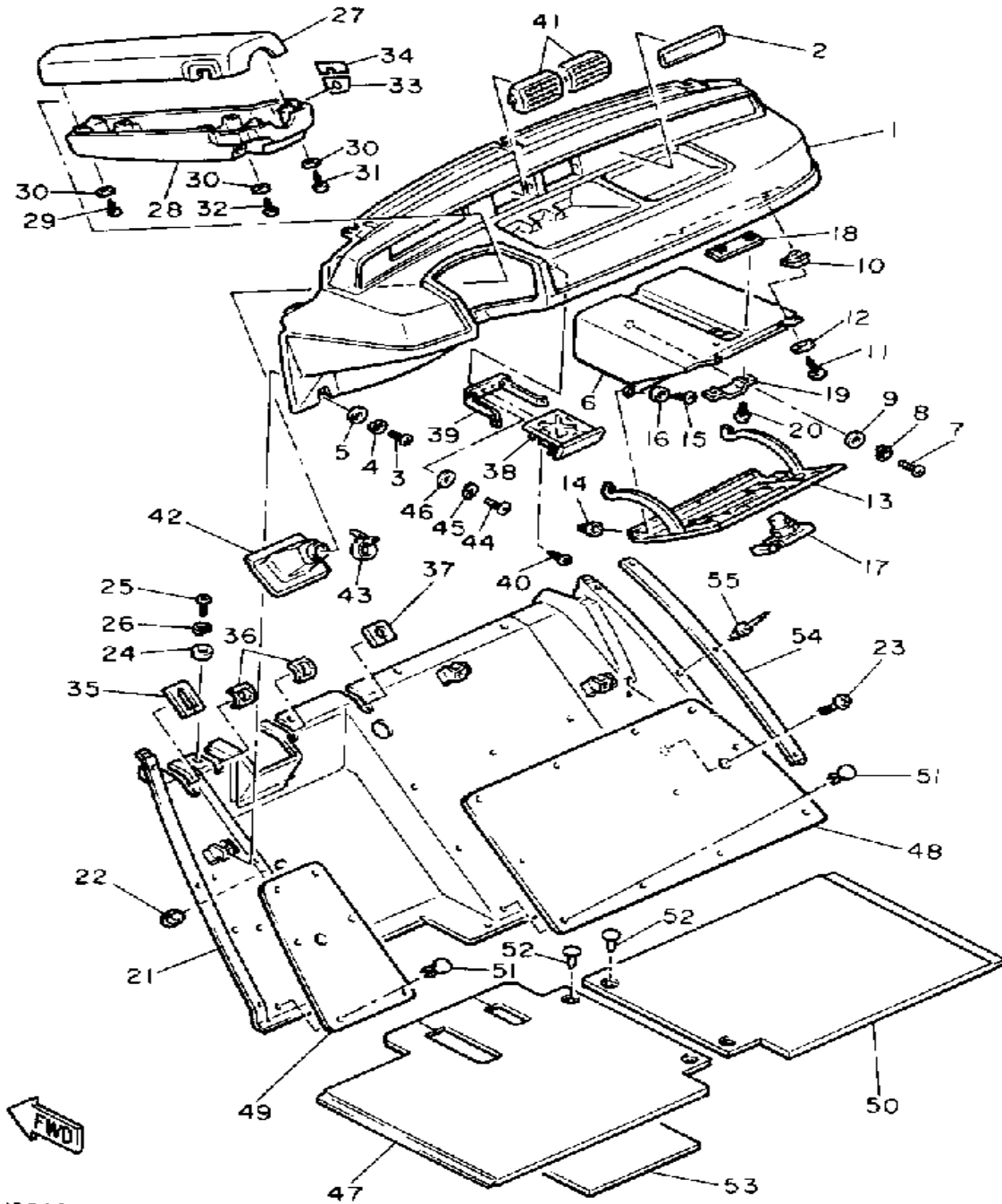


J50100-9240

| Ref. No. | Part Number | Description | Qty | Remarks |
|----------|-----------------|---------------------------------------|-----|---------|
| 1 | J50-77711-00-00 | PANEL, INSTRUMENT | 1 | |
| 2 | J50-77768-00-00 | LABEL, WARNING 2 | 1 | |
| 3 | 98506-06016-00 | SCREW, PANHEAD | 6 | |
| 4 | 92906-06100-00 | WASHER, SPRING | 6 | |
| 5 | 90201-06059-00 | WASHER, PLATE | 6 | |
| 6 | J50-K7735-00-00 | BOX, GLOVE | 1 | |
| 7 | 98506-06016-00 | SCREW, PANHEAD | 1 | |
| 8 | 92906-06100-00 | WASHER, SPRING | 1 | |
| 9 | 90201-06059-00 | WASHER, PLATE | 1 | |
| 10 | 90183-05050-00 | NUT, SPRING | 3 | |
| 11 | 97706-50520-00 | SCREW, TAPPING | 3 | |
| 12 | 90201-05721-00 | WASHER, PLATE | 3 | |
| 13 | J50-K7736-00-00 | LID, GLOVE BOX | 1 | |
| 14 | 90269-08058-00 | RIVET, SPEC'L SHAPE | 3 | |
| 15 | 97706-50520-00 | SCREW, TAPPING | 3 | |
| 16 | 90201-05721-00 | WASHER, PLATE | 3 | |
| 17 | 35R-21708-01-00 | SIDE CVR LOCK ASSEMBLY (J50-7773E-00) | 1 | |
| 18 | J50-77721-00-00 | BRACKET 1 | 1 | |
| 19 | J50-77728-00-00 | WASHER | 1 | UN |
| 20 | 98906-05016-00 | SCREW, BIND | 2 | |
| 21 | J50-K7780-00-00 | DASH PANEL ASSEMBLY | 1 | |
| 22 | 90480-12529-00 | GROMMET | 1 | |
| 23 | 98906-06016-00 | SCREW, BIND | 2 | |
| 24 | 90201-06697-00 | WASHER, PLATE | 4 | |
| 25 | 98503-06014-00 | SCREW, PAN HEAD (92502-06016) | 4 | |
| 26 | 92995-06100-00 | WASHER, SPRING | 4 | |
| 27 | J50-K7732-00-00 | COVER, STEER SHFT 1 | 1 | |

CONTINUED ON NEXT FRAME ►

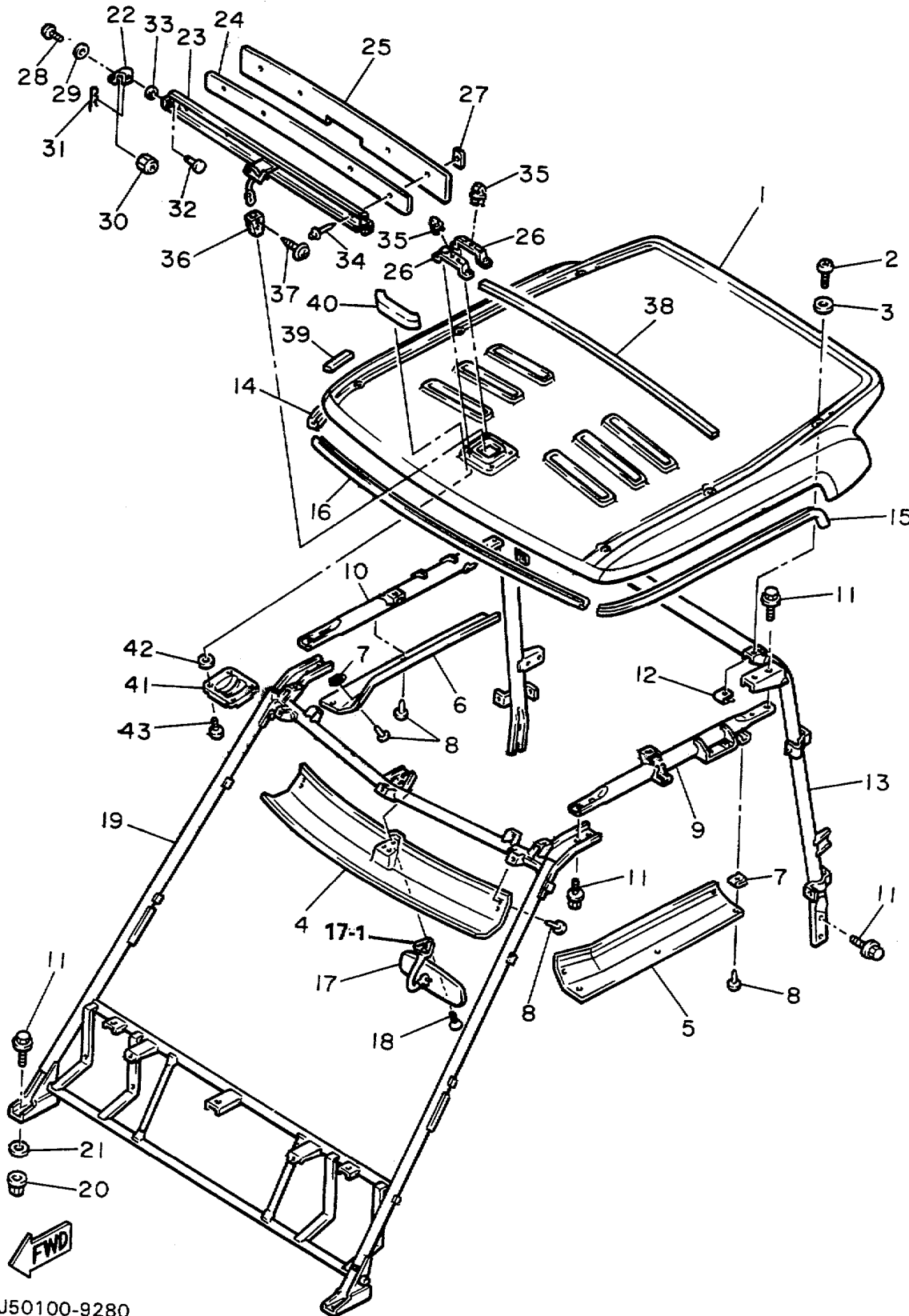
INSTRUMENT PANEL



J50100-9240

| Ref. No. | Part Number | Description | Qty | Remarks |
|----------|-----------------|---------------------------|-----|---------|
| 28 | J50-K7733-00-00 | COVER, STEER SHFT 2 | 1 | |
| 29 | 97780-50120-00 | SCREW, TAPPING | 2 | |
| 30 | 92901-05600-00 | WASHER, PLATE | 6 | |
| 31 | 97702-50130-00 | SCREW, TAPPING | 2 | |
| 32 | 97702-50540-00 | SCREW, TAPPING | 4 | |
| 33 | J50-77741-00-00 | INDICATOR 1 | 1 | |
| 34 | J42-77742-00-00 | INDICATOR 2 | 1 | |
| 35 | J50-78245-00-00 | SEAL 1 | 1 | |
| 36 | J50-78246-00-00 | SEAL, FLOOR 2 | 2 | |
| 37 | J50-78247-00-00 | SEAL 3 | 1 | |
| 38 | J50-78280-00-00 | ASH TRAY ASSEMBLY | 1 | |
| 39 | J50-78281-00-00 | BRACKET, ASH TRAY 2 | 1 | |
| 40 | 98506-05010-00 | SCREW, PAN HEAD | 3 | |
| 41 | J50-2837X-00-00 | GRILL, AIR OUTLET 3 | 2 | |
| 42 | J50-78283-00-00 | COVER 3 | 1 | |
| 43 | 90465-13169-00 | CALMP | 1 | |
| 44 | 98580-05010-00 | SCREW, PAN HEAD | 2 | |
| 45 | 92990-05100-00 | WASHER, SPRING | 2 | |
| 46 | 92901-05600-00 | WASHER, PLATE | 2 | |
| 47 | J50-K8231-00-00 | MAT, MAIN FLOOR 1 | 1 | |
| 48 | J50-K8232-00-00 | MAT, MAIN FLOOR 2 | 1 | |
| 49 | J50-K8233-00-00 | MAT, MAIN FLOOR 3 | 1 | |
| 50 | J50-K8234-00-00 | MAT, MAIN FLOOR 4 | 1 | |
| 51 | 90267-63047-00 | RIVET, BLIND | 16 | |
| 52 | 90269-07064-00 | RIVET | 4 | |
| 53 | J55-K8271-00-00 | SERVICE LID, PEDAL | 1 | |
| 54 | J50-78261-00-00 | PLATE, BODY PRTC 1 | 2 | |
| 55 | 90267-40131-00 | RIVET, BLIND | 6 | |

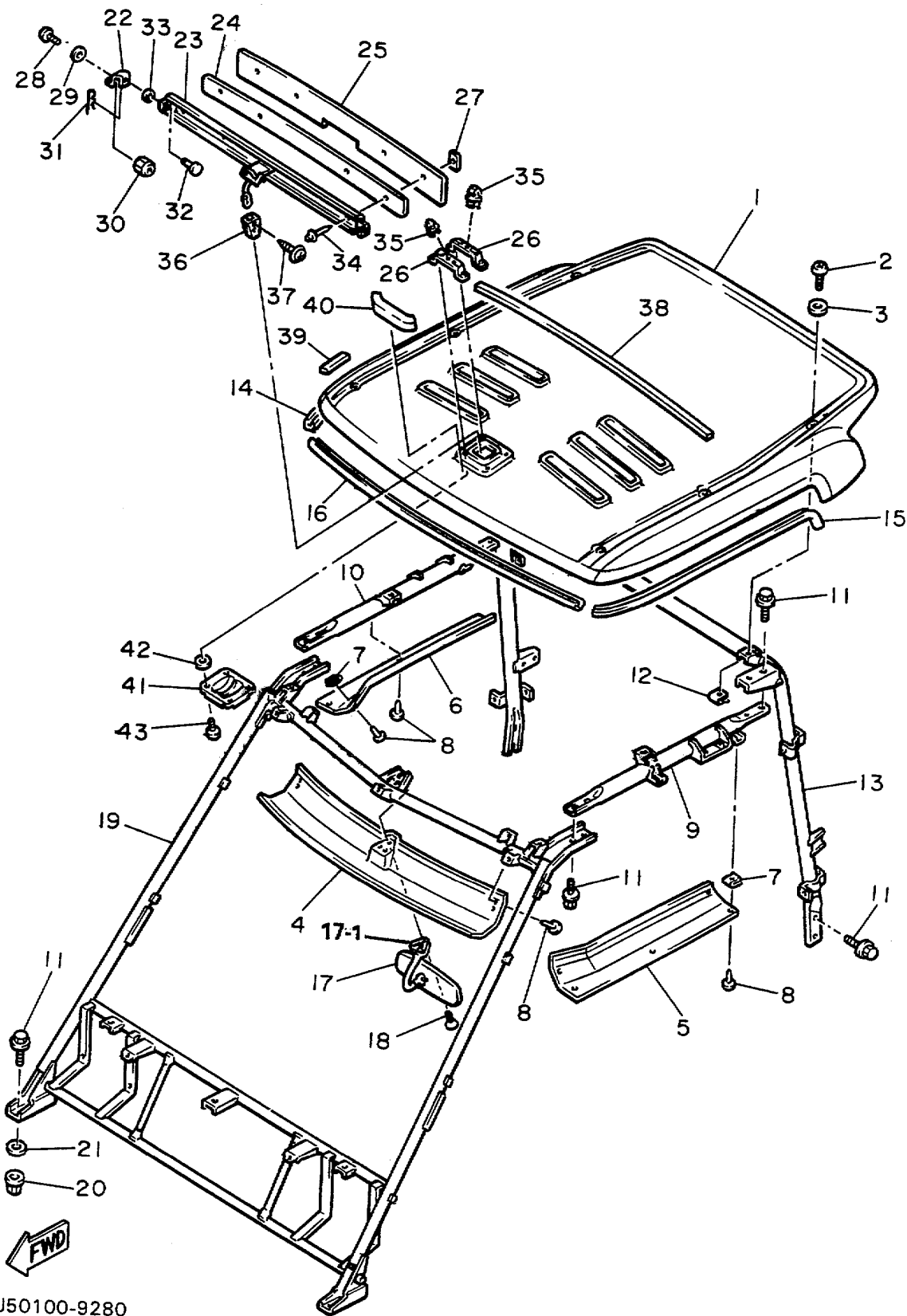
SUN ROOF



| Ref. No. | Part Number | Description | Qty | Remarks |
|----------|-----------------|------------------------------------|-----|---------|
| 1 | J50-K8314-00-00 | COVER, SUN ROOF | | |
| 2 | 98980-08020-00 | SCREW, BIND | 6 | |
| 3 | 92990-08200-00 | WASHER, PLAIN | 6 | |
| 4 | J50-K8312-00-00 | SUPPORT, SUN ROO 1 | 1 | |
| 5 | J50-K8313-00-00 | SUPPORT, SUN ROO 2 | 1 | |
| 6 | J50-K831A-00-00 | SUPPORT, ROOF 3 | 1 | |
| 7 | J50-78342-00-00 | HOOK, SUPPORT | 6 | |
| 8 | 90269-06063-00 | RIVET, SPEC'L SHAPE | 14 | |
| 9 | J50-K831G-00-00 | STAY, SUNROOF COVER | 1 | |
| 10 | J50-K831H-00-00 | STAY, SUNROOF COVER | 1 | |
| 11 | 95821-08020-00 | BOLT, FLANGE (95801-08020) | 16 | |
| 12 | 90183-08051-00 | NUT, SPRING | 2 | |
| 13 | J50-K8311-00-00 | FRAME, SUN ROOF | 1 | |
| 14 | J50-7831X-00-00 | TRIM, ROOF 3 | 1 | |
| 15 | J50-7831J-00-00 | TRIM, ROOF | 1 | |
| 16 | J50-78315-00-00 | TRIM, ROOF | 1 | |
| 17 | J50-26290-00-00 | MIRROR ASSEMBLY ASS'Y (RIGHT) | 1 | |
| 18 | 98506-05016-00 | SCREW, PAN HEAD | 3 | |
| 19 | J50-K8301-00-00 | FRAME COMP., ROOF | 1 | |
| 20 | 95701-08500-00 | NUT, FLANGE | 4 | |
| 21 | 90201-084K3-00 | WASHER, PLATE | 4 | |
| 22 | J50-7831L-00-00 | REINFORCEMENT, ROOF ROOF SUPPORT 1 | 2 | |
| 23 | J50-7834E-01-00 | HOLDER COMP. 1 | 1 | |
| 24 | J50-7831U-00-00 | PLATE, ROOF | 1 | |
| 25 | J50-7831K-00-00 | END, ROOF TRIM | 1 | |
| 26 | J50-7831R-00-00 | HOOK, END 3 | 2 | |
| 27 | J50-78344-00-00 | RETAINER 2 | 4 | |

CONTINUED ON NEXT FRAME ►

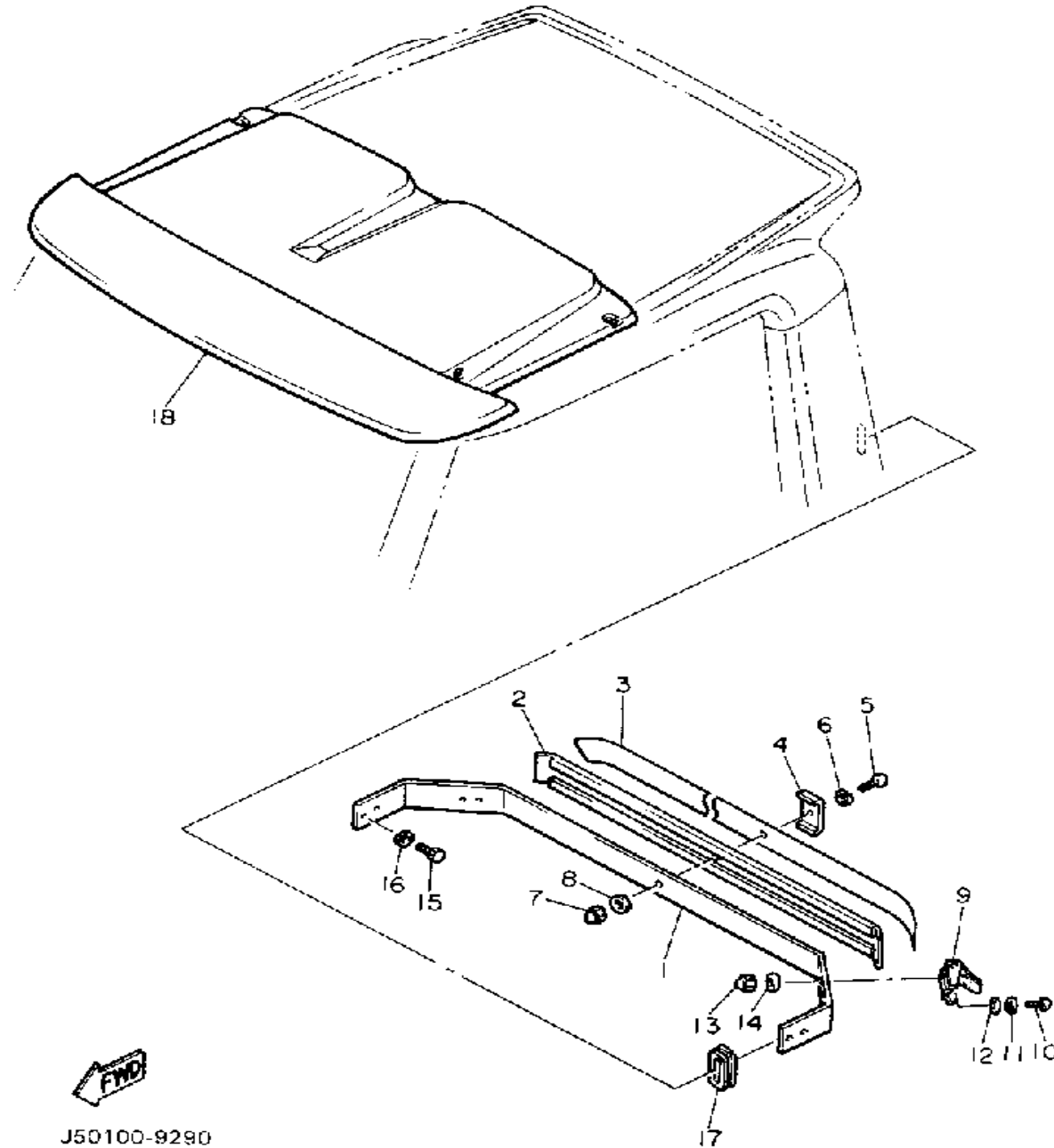
SUN ROOF



J50100-9280

| Ref. No. | Part Number | Description | Qty | Remarks |
|----------|-----------------|---------------------|-----|---------|
| 28 | 98980-06014-00 | SCREW, BIND | 2 | |
| 29 | 92990-06200-00 | WASHER | 2 | |
| 30 | 95780-06300-00 | NUT, FLANGE | 2 | |
| 31 | 90468-10050-00 | CLIP | 2 | |
| 32 | 90240-06005-00 | PIN, CLEVIS | 2 | |
| 33 | 90201-06050-00 | WASHER, PLATE | 2 | |
| 34 | 90267-48138-00 | RIVET, BLIND | 4 | |
| 35 | J50-78358-00-00 | HOLDER 2 | 2 | |
| 36 | JA9-52625-00-00 | KNOB | 1 | |
| 37 | 98606-03016-00 | SCREW, OVAL HEAD | 2 | |
| 38 | J50-7814A-00-00 | SEAL, BODY UPPER | 1 | |
| 39 | J50-78316-00-00 | DAMPER | 2 | |
| 40 | J50-78337-00-00 | SEAL, SIDE WND/SHLD | 1 | |
| 41 | J50-7832F-00-00 | GROMMET, ROOF SUP 1 | 1 | |
| 42 | 90201-05651-00 | WASHER, PLATE | 4 | |
| 43 | 90149-05282-00 | SCREW, SPEC'L SHAPE | 4 | |
| 17-1 | J50-2628N-00-00 | . BASE, MIRROR | 1 | |

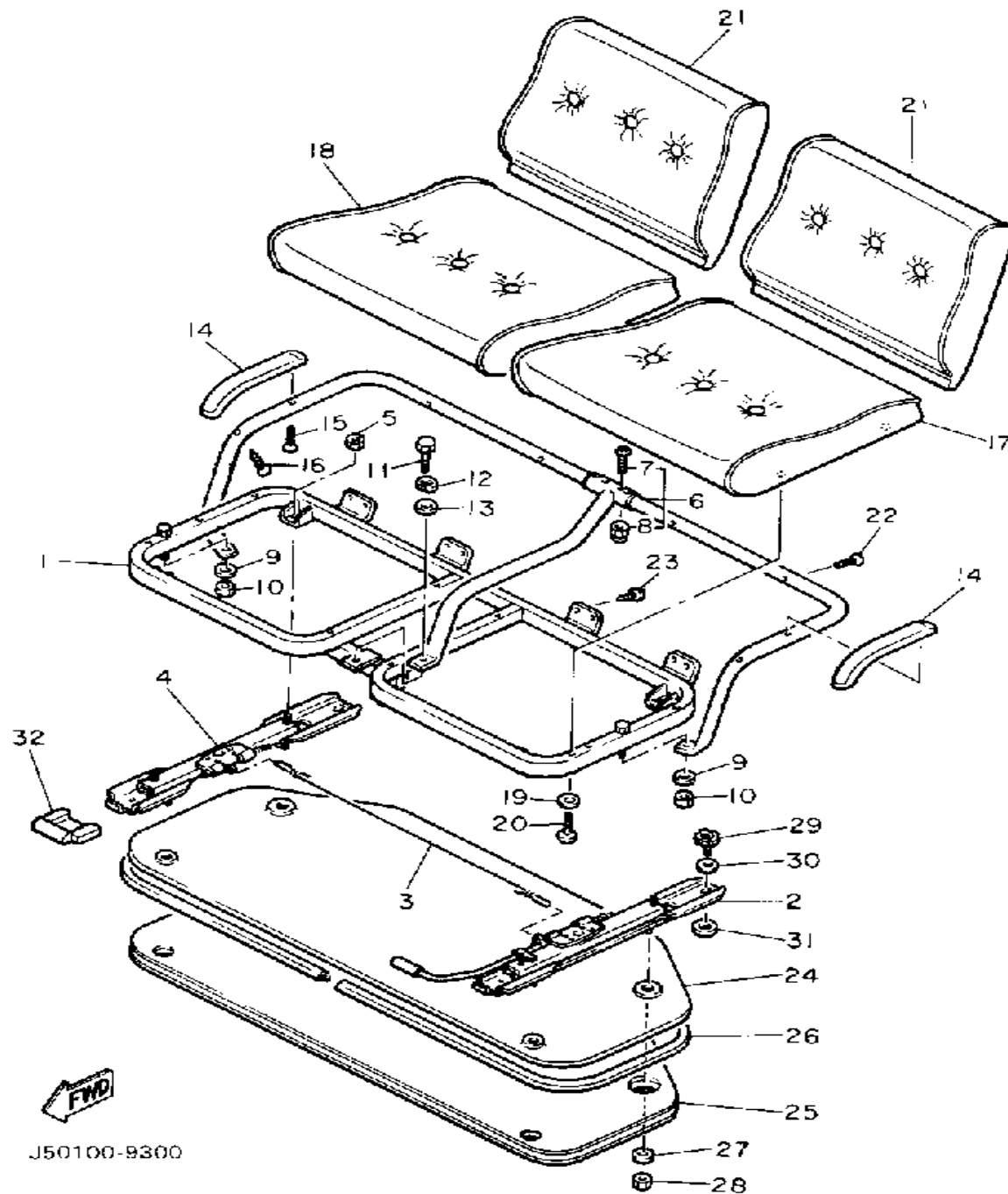
CARRIER



J50100-9290

| Ref. No. | Part Number | Description | Qty | Remarks |
|----------|-----------------|--------------------|-----|---------|
| 1 | J50-78351-00-00 | SUPPORT, BAG UPPER | 1 | |
| 2 | J50-78356-00-00 | PAD, BAG SUPPORT | 1 | |
| 3 | J50-78355-00-00 | BAND | 1 | |
| 4 | J38-78367-00-00 | PLATE, ANCHOR | 1 | |
| 5 | 98980-06020-00 | SCREW, BIND | 1 | |
| 6 | 92995-06100-00 | WASHER, SPRING | 1 | |
| 7 | 95380-06800-00 | NUT | 1 | |
| 8 | 92990-06200-00 | WASHER | 1 | |
| 9 | J10-78380-00-00 | LOCK ASSEMBLY | 2 | |
| 10 | 98580-06016-00 | SCREW, PAN HEAD | 4 | |
| 11 | 92995-06100-00 | WASHER, SPRING | 4 | |
| 12 | 92990-06600-00 | WASHER, PLATE | 4 | |
| 13 | 95380-06800-00 | NUT | 4 | |
| 14 | 92990-06200-00 | WASHER | 4 | |
| 15 | 97011-08016-00 | BOLT | 4 | |
| 16 | 92990-08100-00 | WASHER | 4 | |
| 17 | J50-7836F-00-00 | GROMMET | 2 | |
| 18 | J50-7831F-00-00 | SUPPORT, ROOF 5 | 1 | |

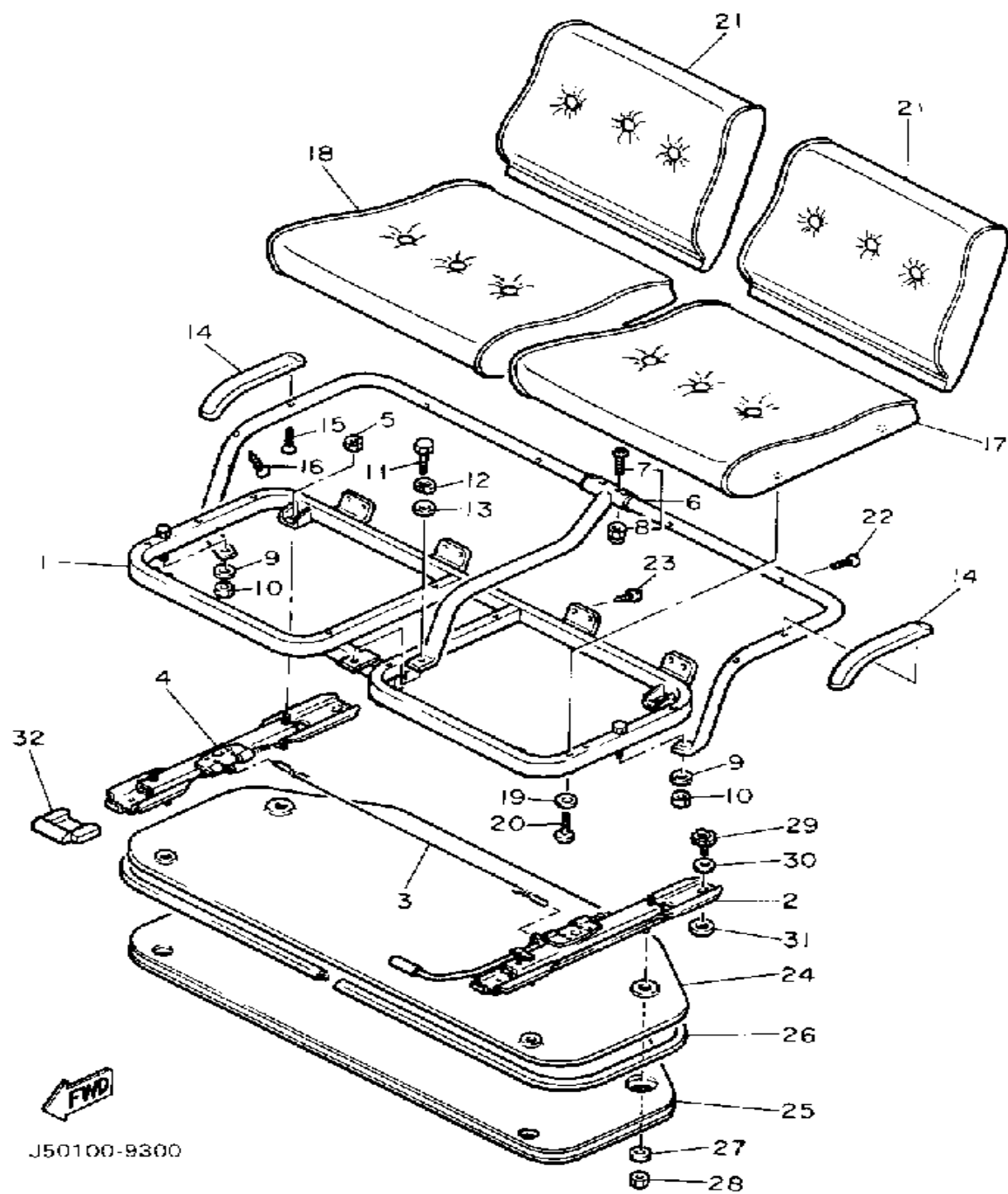
SEAT



| Ref. No. | Part Number | Description | Qty | Remarks |
|----------|-----------------|---------------------------------------|-----|---------|
| 1 | J50-K8451-00-00 | FRAME, SLIDE SEAT | 1 | |
| 2 | J50-78452-00-00 | SEAT-ADJUSTER 1 | 1 | |
| 3 | J50-78457-00-00 | WIRE, ADJUSTER | 1 | |
| 4 | J50-78453-00-00 | SEAT-ADJUSTER 2 | 1 | |
| 5 | 95333-08600-00 | NUT | 4 | |
| 6 | J50-K8421-00-00 | SUPPORT, SEAT | 1 | |
| 7 | 98580-06035-00 | . SCREW, PAN HEAD | 4 | |
| 8 | 95380-06800-00 | . NUT | 4 | |
| 9 | 92990-08600-00 | WASHER, PLATE | 2 | |
| 10 | 95380-08600-00 | NUT | 2 | |
| 11 | 97011-08016-00 | BOLT | 1 | |
| 12 | 92990-08100-00 | WASHER | 1 | |
| 13 | 92990-08600-00 | WASHER, PLATE | 1 | |
| 14 | J50-78361-00-00 | ARM REST 1 | 2 | |
| 15 | 98680-05030-00 | SCREW, OVAL HEAD | 2 | |
| 16 | 97780-50330-00 | SCREW, TAPPING | 2 | |
| 17 | J50-K8401-00-00 | SEAT SB/ASSEMBLY, CSHN .. | 1 | |
| 18 | J50-K8403-00-00 | SEAT SB/ASSEMBLY, CSH 2 .. | 1 | |
| 19 | 90201-065F3-00 | WASHER, PLATE | 8 | |
| 20 | 98580-06545-00 | SCREW PAN HEAD (92503-06045) | 8 | |
| 21 | J50-K8402-00-00 | SEAT SB/ASSEMBLY, BACK .. | 2 | |
| 22 | 90152-06017-00 | SCREW, COUNTERSUNK | 4 | |
| 23 | 90149-059U1-00 | SCREW, PANHEAD (97701-50516) | 8 | |
| 24 | J50-K8414-00-00 | PLATE, SEAT BOTTOM | 1 | |
| 25 | J50-78254-00-00 | PAD, SILENCER 4 | 1 | |
| 26 | J50-78425-01-00 | SEAL, SEAT | 1 | |
| 27 | 92990-08600-00 | WASHER, PLATE | 4 | |

CONTINUED ON NEXT FRAME ►

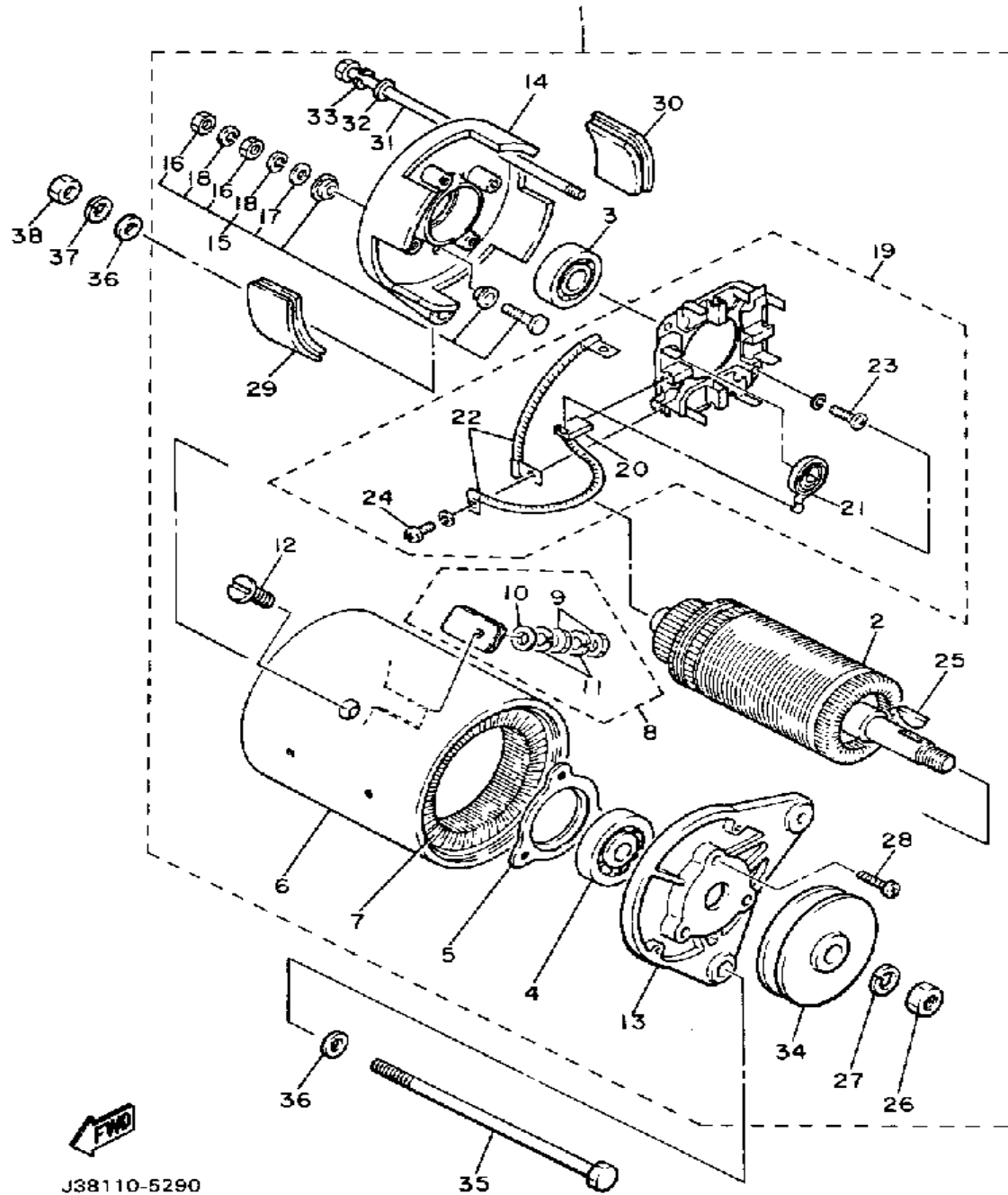
SEAT



| Ref. No. | Part Number | Description | Qty | Remarks |
|----------|-----------------|------------------------|-----|---------|
| 28 | 95380-08600-00 | NUT | 4 | |
| 29 | J50-78417-00-00 | KNOB, PLATE SEAT | 2 | |
| 30 | 90201-08795-00 | WASHER, PLATE | 2 | |
| 31 | 90201-105H3-00 | WASHER, PLATE | 2 | |
| 32 | J50-78139-00-00 | CAP, END | 2 | |

J50100-9300

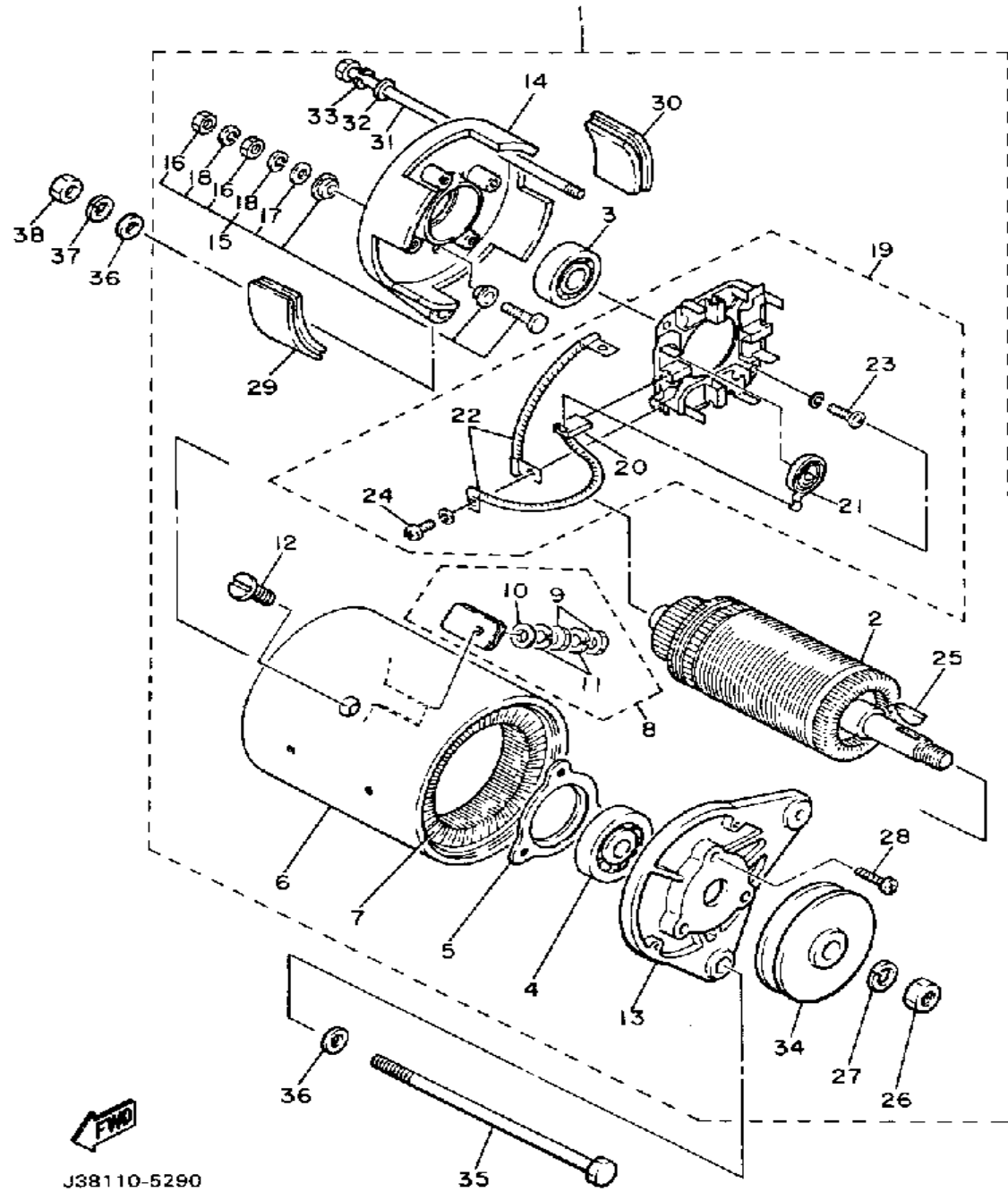
STARTING MOTOR



| Ref. No. | Part Number | Description | Qty | Remarks |
|----------|-----------------|--|-----|---------|
| 1 | J38-81100-11-00 | STARTER GENERATOR ASSEMBLY (JF2-H1100-00-00) | 1 | |
| 2 | J10-81150-10-00 | . ARMATURE ASSEMBLY | 1 | |
| 3 | J10-81157-10-00 | . BEARING 1 (6202 SD) | 1 | |
| 4 | J10-81158-10-00 | . BEARING 2 (6203 SD) | 1 | |
| 5 | J10-81159-10-00 | . HOLDER, BEARING | 1 | |
| 6 | J38-81110-10-00 | . STATOR ASSEMBLY | 1 | |
| 7 | J38-81160-10-00 | . FIELD COIL ASSEMBLY | 1 | |
| 8 | J10-81148-10-00 | . SCREW | 2 | |
| 9 | 95380-06600-00 | .. NUT | 4 | |
| 10 | 92990-06600-00 | .. WASHER, PLATE | 2 | |
| 11 | 92995-06100-00 | .. WASHER, SPRING | 4 | |
| 12 | J10-81146-10-00 | . SCREW | 4 | |
| 13 | J38-81165-10-00 | . BRACKET, STARTER GENERATOR | 1 | |
| 14 | J10-81166-10-00 | . BRACKET, STARTER GENERATOR | 1 | |
| 15 | J10-81147-10-00 | . SCREW | 2 | |
| 16 | 95380-06600-00 | .. NUT | 4 | |
| 17 | 92990-06600-00 | .. WASHER, PLATE | 2 | |
| 18 | 92995-06100-00 | .. WASHER, SPRING | 4 | |
| 19 | JF2-81119-00-00 | . BRUSH HOLDER ASSEMBLY | 1 | |
| 20 | JF2-81111-00-00 | .. BRUSH | 4 | |
| 21 | J38-81113-10-00 | .. SPRING, BRUSH | 4 | |
| 22 | J10-81115-10-00 | .. WIRE, LEAD | 2 | |
| 23 | 98580-05016-00 | .. SCREW, PAN HEAD | 2 | |
| 24 | 98580-04010-00 | .. SCREW, PAN HEAD | 4 | |
| 25 | J38-81163-10-00 | . KEY | 1 | |
| 26 | 95312-14600-00 | . NUT | 1 | |
| 27 | 92901-14100-00 | . WASHER, SPRING | 1 | |

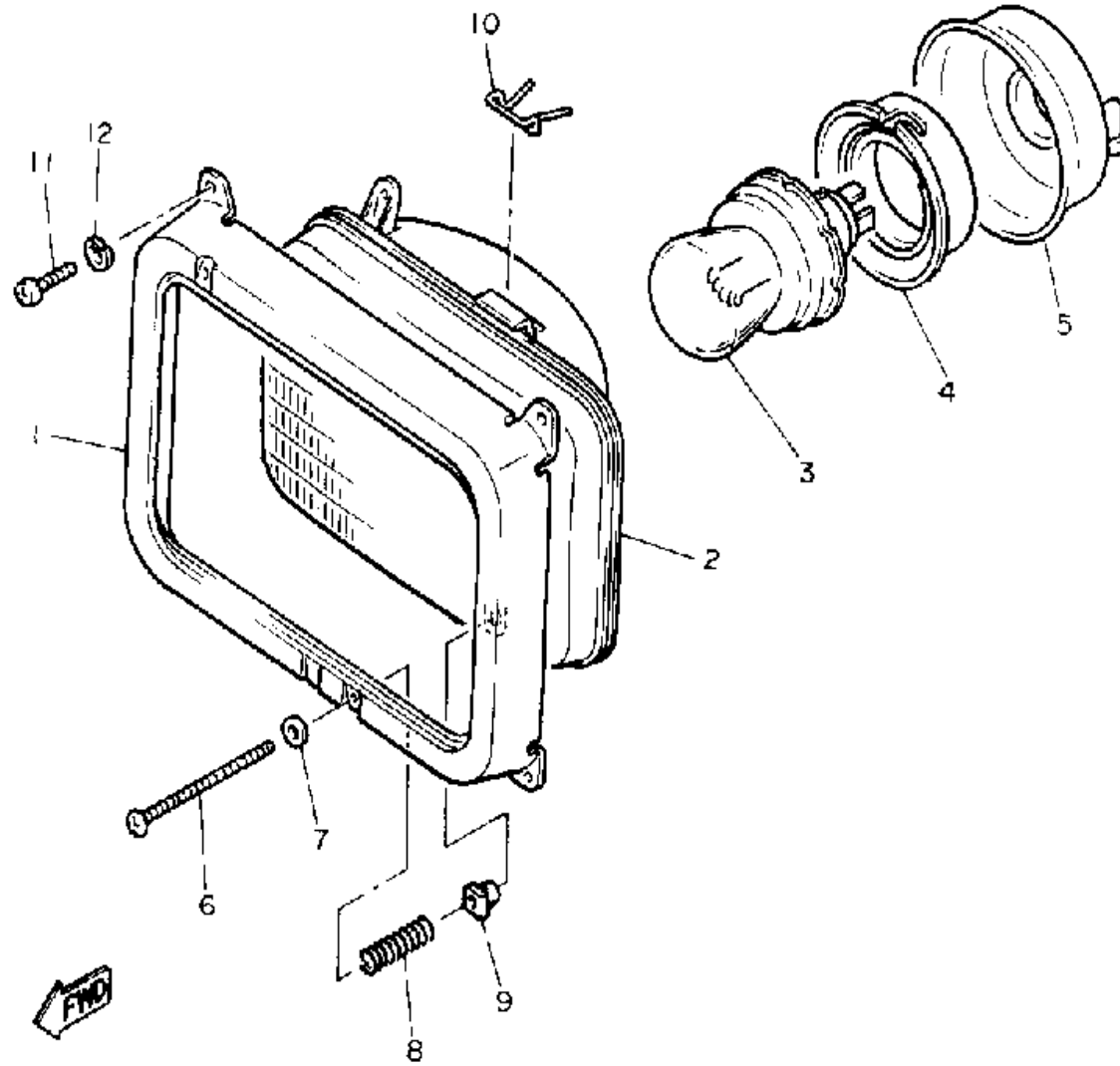
CONTINUED ON NEXT FRAME ►

STARTING MOTOR



| Ref. No. | Part Number | Description | Qty | Remarks |
|----------|-----------------|-------------------|-----|---------|
| 28 | 98501-05018-00 | . SCREW, PAN HEAD | 3 | |
| 29 | J10-81129-10-00 | . COVER, BRUSH | 3 | |
| 30 | J10-81129-10-00 | . COVER, BRUSH | 1 | |
| 31 | J10-81145-10-00 | . SCREW | 2 | |
| 32 | 92990-06600-00 | . WASHER, PLATE | 2 | |
| 33 | 92995-06100-00 | . WASHER, SPRING | 2 | |
| 34 | J38-81161-10-00 | . PULLEY | 1 | |
| 35 | 90101-12545-00 | BOLT | 1 | |
| 36 | 92990-12600-00 | WASHER, PLATE | 2 | |
| 37 | 92901-12100-00 | WASHER, SPRING | 1 | |
| 38 | 95303-12600-00 | NUT | 1 | |

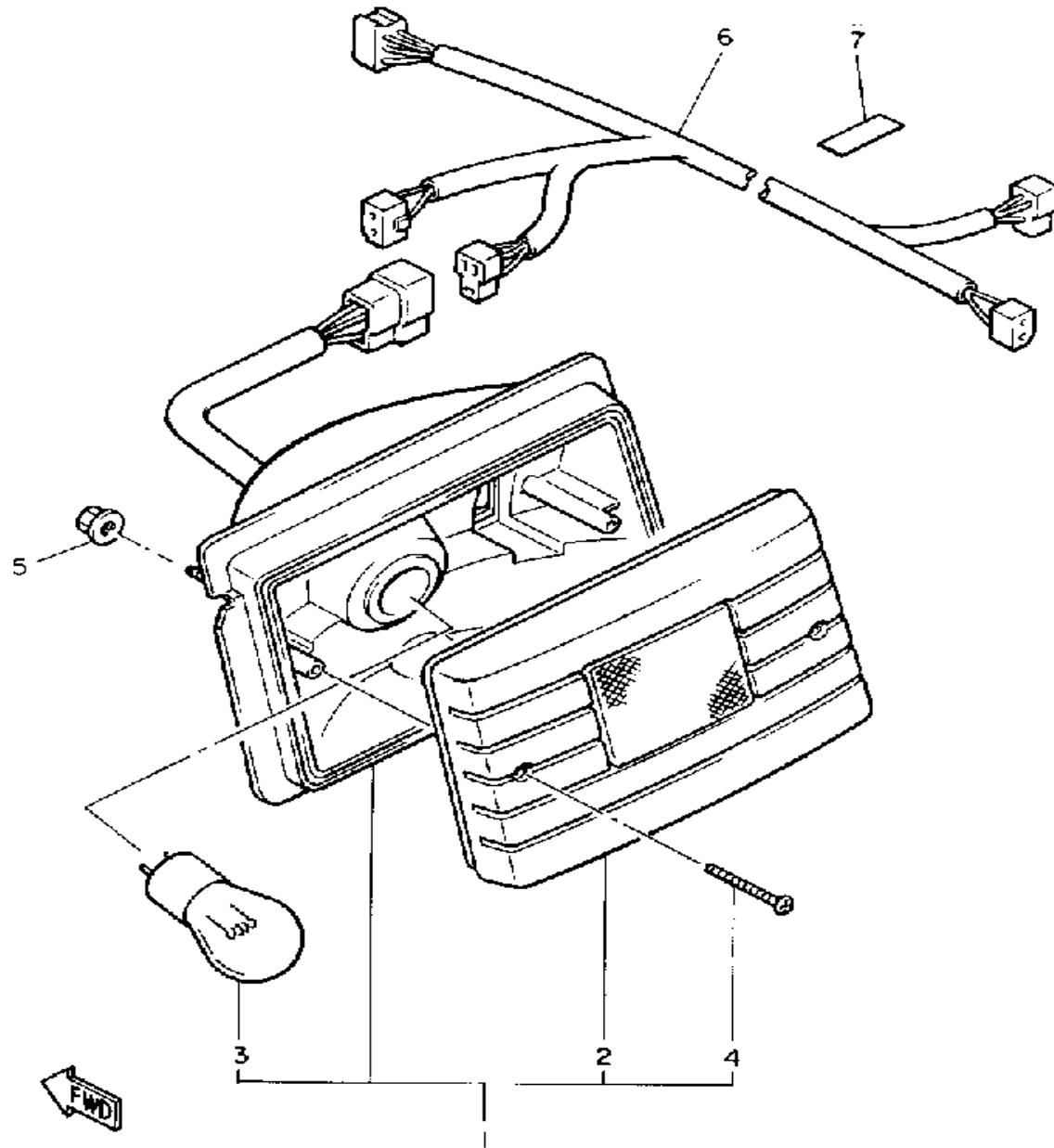
HEADLIGHT



J50100-9330

| Ref. No. | Part Number | Description | Qty | Remarks |
|----------|-----------------|---|-----|---------|
| 1 | J50-84315-00-00 | RIM, HEADLIGHT | 2 | |
| 2 | 47J-84320-00-00 | LENS ASSEMBLY | 2 | |
| 3 | 17E-84314-00-00 | BULB, HL 12V50/40W (12V-50/40W) | 2 | |
| 4 | 341-84393-40-00 | HOLDER, BULB | 2 | |
| 5 | 46X-84396-00-00 | COVER | 2 | |
| 6 | 43F-84131-00-00 | SCREW, RIM ADJUSTER | 4 | |
| 7 | 233-84127-60-00 | WASHER, SPECIAL | 4 | |
| 8 | 341-84332-60-00 | SPRING, SCREW | 4 | |
| 9 | 47J-84334-00-00 | NUT, ADJUSTING | 4 | |
| 10 | 5G2-84324-A0-00 | SPRING, REFLECTOR (5G2-84324-00) | 2 | |
| 11 | 98580-05010-00 | SCREW, PAN HEAD | 8 | |
| 12 | 92990-05100-00 | WASHER, SPRING | 8 | |

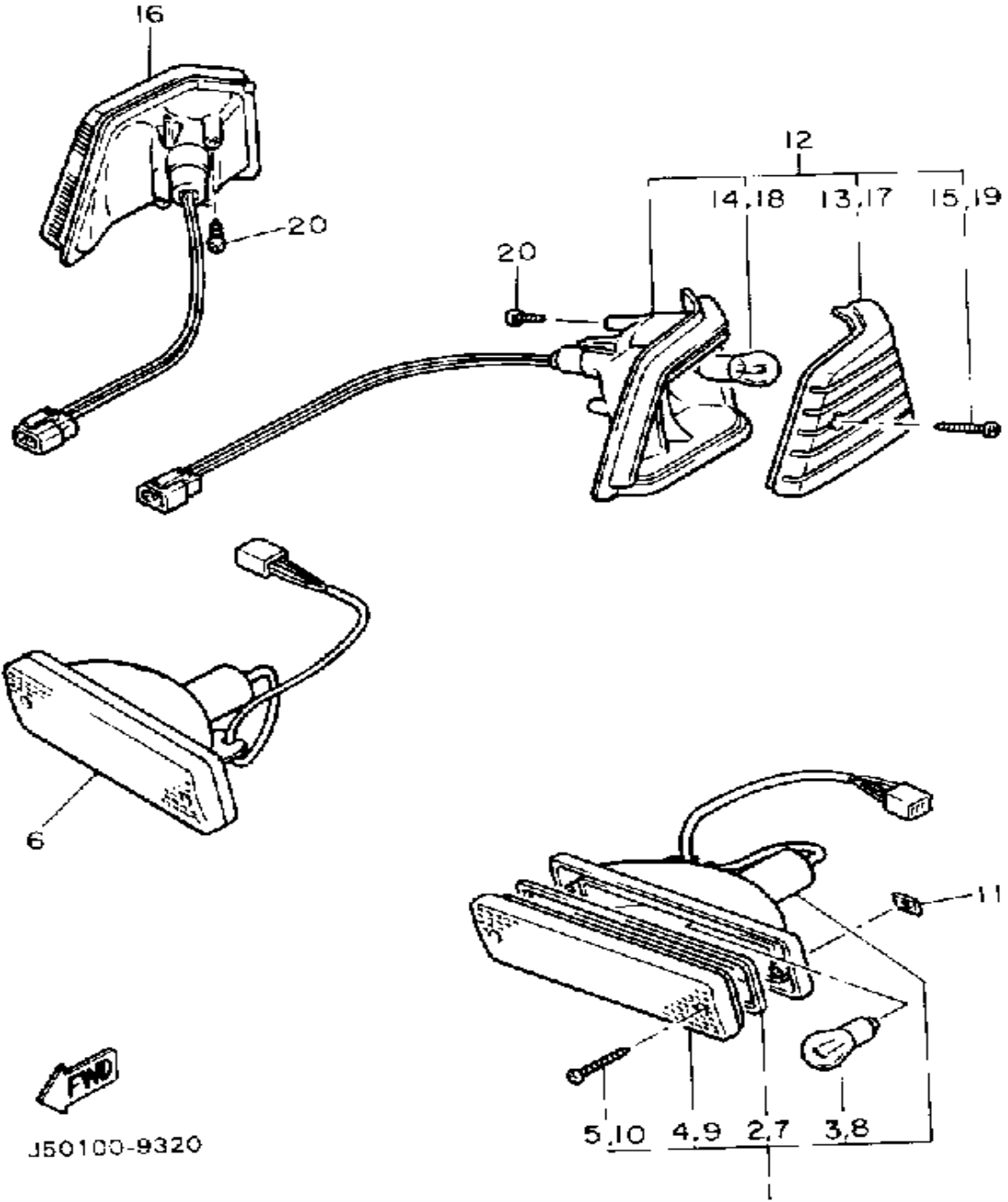
TAILLIGHT



J50100-9340

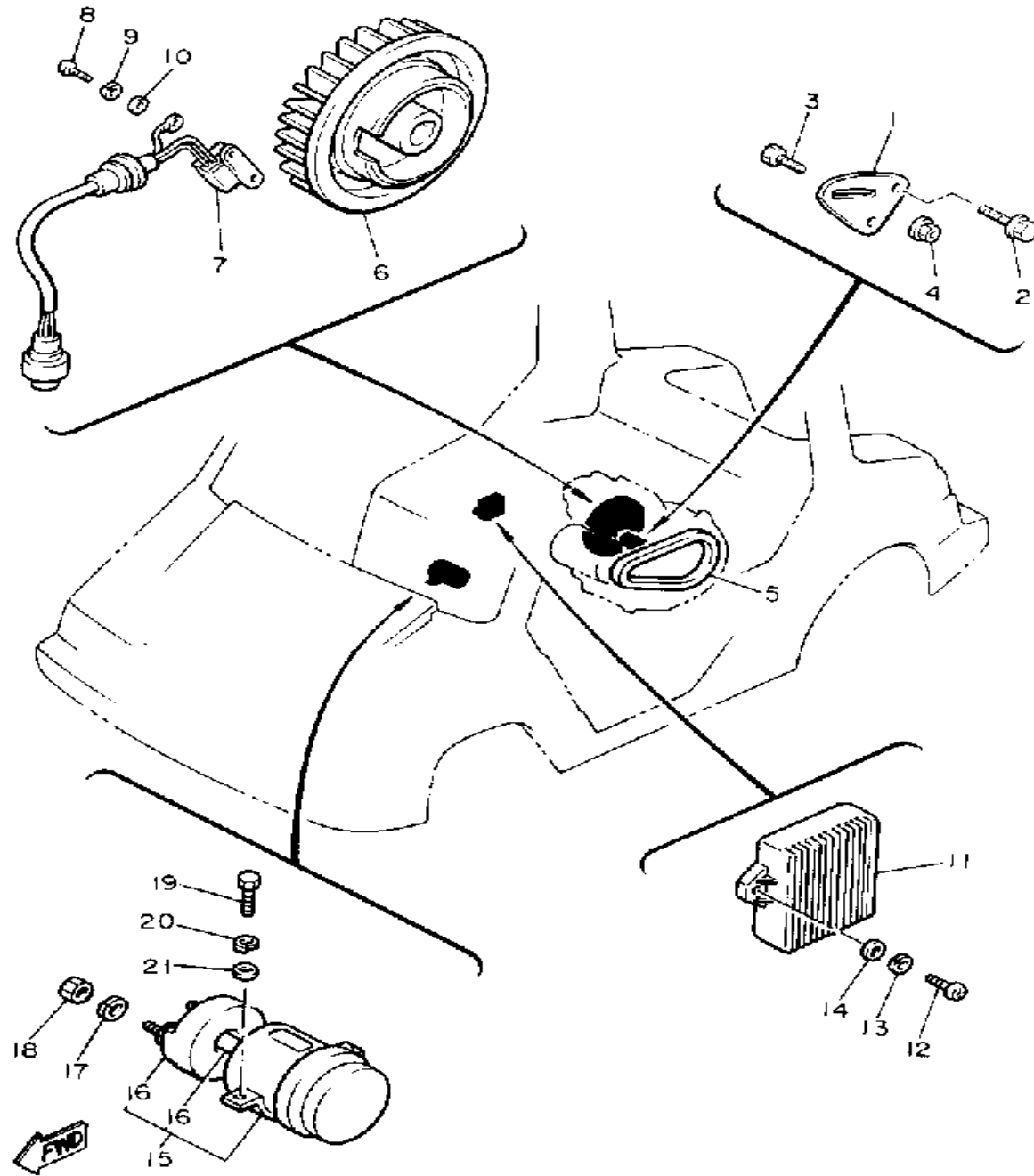
| Ref. No. | Part Number | Description | Qty | Remarks |
|----------|-----------------|--|-----|---------|
| 1 | J50-84710-00-00 | TAILLIGHT UNIT ASSEMBLY .. | 2 | |
| 2 | 25G-84721-01-00 | . LENS, TAILLIGHT | 1 | |
| 3 | 256-84714-61-00 | . BULB (12V-27/8W) | 1 | |
| 4 | 97780-40130-00 | . SCREW, PANHEAD TAPPING (97701-40130-00) | 2 | |
| 5 | 95701-06500-00 | NUT, FLANGE | 4 | |
| 6 | J50-84727-00-00 | CORD, TAILLIGHT | 1 | |
| 7 | ϕJ4-27717-E0-00 | UNAVAILABLE IN PRICE BOOK | 4 | |

TURNSIGNAL



| Ref. No. | Part Number | Description | Qty | Remarks |
|----------|-----------------|---|-----|---------|
| 1 | J50-83310-00-00 | FRT FLSHR LITE ASSEMBLY | 1 | |
| 2 | J50-83313-00-00 | . GASKET, FLSHR LENS | 1 | |
| 3 | 137-84714-61-00 | . BULB, TL 12V23/8W (J50-83311-00) | 1 | |
| 4 | J50-83312-00-00 | . LENS, FLASHER | 1 | |
| 5 | 97780-40535-00 | . SCREW, TAPPING (FJ1) | 2 | |
| 6 | J50-83320-00-00 | FRT FLSHR LITE ASSEMBLY | 1 | |
| 7 | J50-83313-00-00 | . GASKET, FLSHR LENS | 1 | |
| 8 | 137-84714-61-00 | . BULB, TL 12V23/8W (J50-83311-00) | 1 | |
| 9 | J50-83322-00-00 | . LENS, FLASHER 2 | 1 | |
| 10 | 97780-40535-00 | . SCREW, TAPPING (FJ1) | 2 | |
| 11 | 90183-04012-00 | NUT, SPRING | 4 | |
| 12 | 25G-83330-00-00 | R FLSHR LITE ASSEMBLY | 1 | |
| 13 | 25G-83332-00-00 | . LENS, FLASHER (L.H) | 1 | |
| 14 | 256-83311-70-XX | . BULB, TS 12V27W | 1 | |
| 15 | 97780-40130-00 | . SCREW, PANHEAD TAPPING (97701-40130-00) | 1 | |
| 16 | 25G-83340-00-00 | R FLSHR LITE ASSEMBLY | 1 | |
| 17 | 25G-83342-00-00 | . LENS, FLASHER (R.H) | 1 | |
| 18 | 256-83311-70-XX | . BULB, TS 12V27W | 1 | |
| 19 | 97780-40130-00 | . SCREW, PANHEAD TAPPING (97701-40130-00) | 1 | |
| 20 | 97780-60116-00 | SCREW, TAPPING | 4 | |

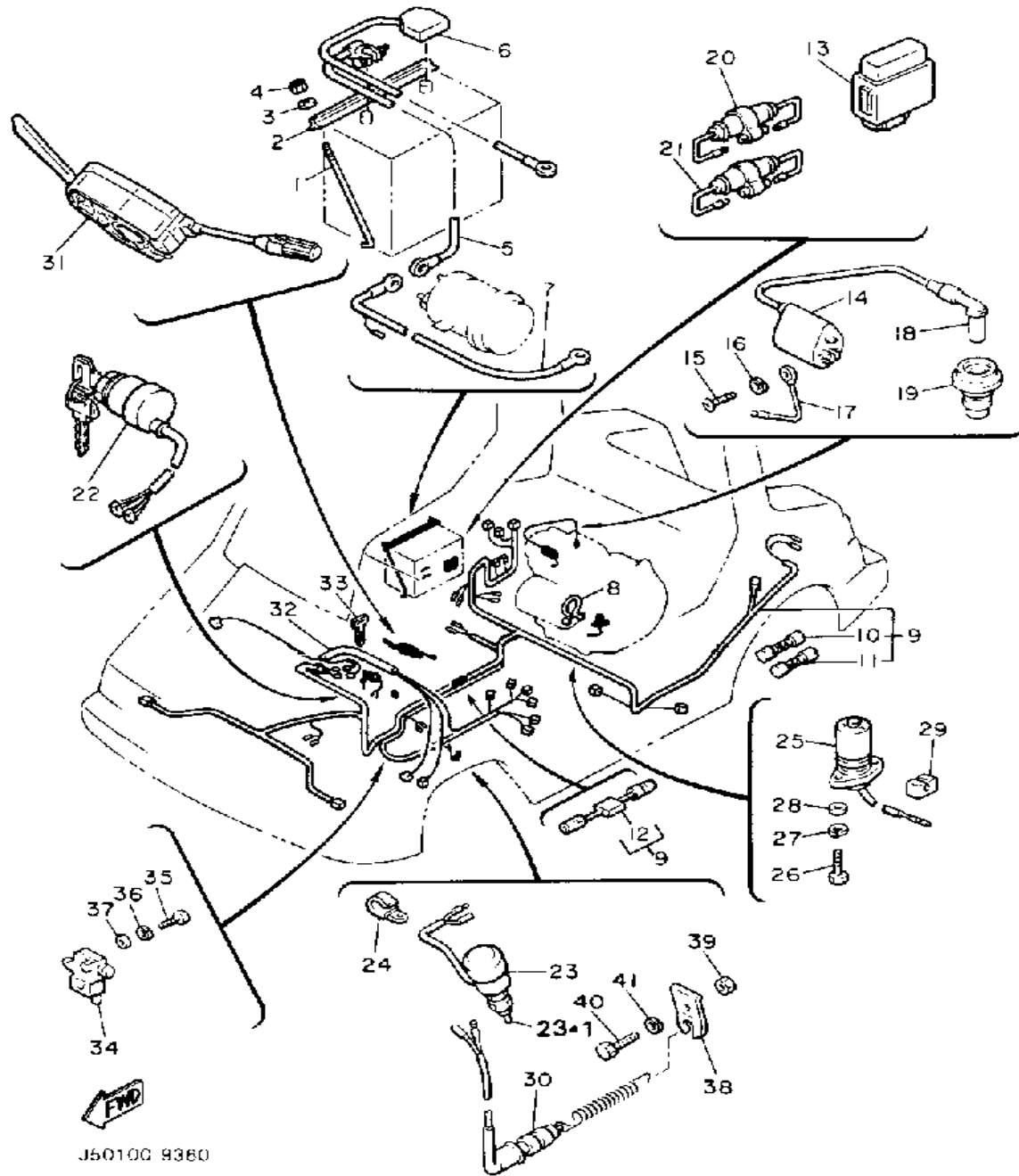
ELECTRICAL 1



J50100-9350

| Ref. No. | Part Number | Description | Qty | Remarks |
|----------|-----------------|----------------------------|-----|---------|
| 1 | J38-81170-00-00 | TENSIONER ASSEMBLY | 1 | |
| 2 | 95821-08025-00 | BOLT, FLANGE | 2 | |
| 3 | 90109-087A5-00 | BOLT | 1 | |
| 4 | 95701-08500-00 | NUT, FLANGE | 1 | |
| 5 | J55-H1173-00-00 | BELT | 1 | |
| 6 | J38-81350-20-00 | ROTOR ASSEMBLY | 1 | |
| 7 | J38-85580-20-00 | COIL, PULSER | 1 | |
| 8 | 98580-05016-00 | SCREW, PAN HEAD | 2 | |
| 9 | 92990-05100-00 | WASHER, SPRING | 2 | |
| 10 | 92901-05600-00 | WASHER, PLATE | 2 | |
| 11 | J50-81910-00-00 | VOLTAGE REG ASSEMBLY .. | 1 | |
| 12 | 98580-06020-00 | SCREW | 2 | |
| 13 | 92995-06100-00 | WASHER, SPRING | 2 | |
| 14 | 92990-06600-00 | WASHER, PLATE | 2 | |
| 15 | JH2-81950-01-00 | RELAY ASSEMBLY | 1 | |
| 16 | J41-81920-09-00 | . G2A/E SLND RBLDKIT | 1 | |
| 17 | 92990-08100-00 | WASHER | 2 | |
| 18 | 95303-08700-00 | NUT | 2 | |
| 19 | 97011-06016-00 | BOLT | 2 | |
| 20 | 92995-06100-00 | WASHER, SPRING | 2 | |
| 21 | 92990-06600-00 | WASHER, PLATE | 2 | |

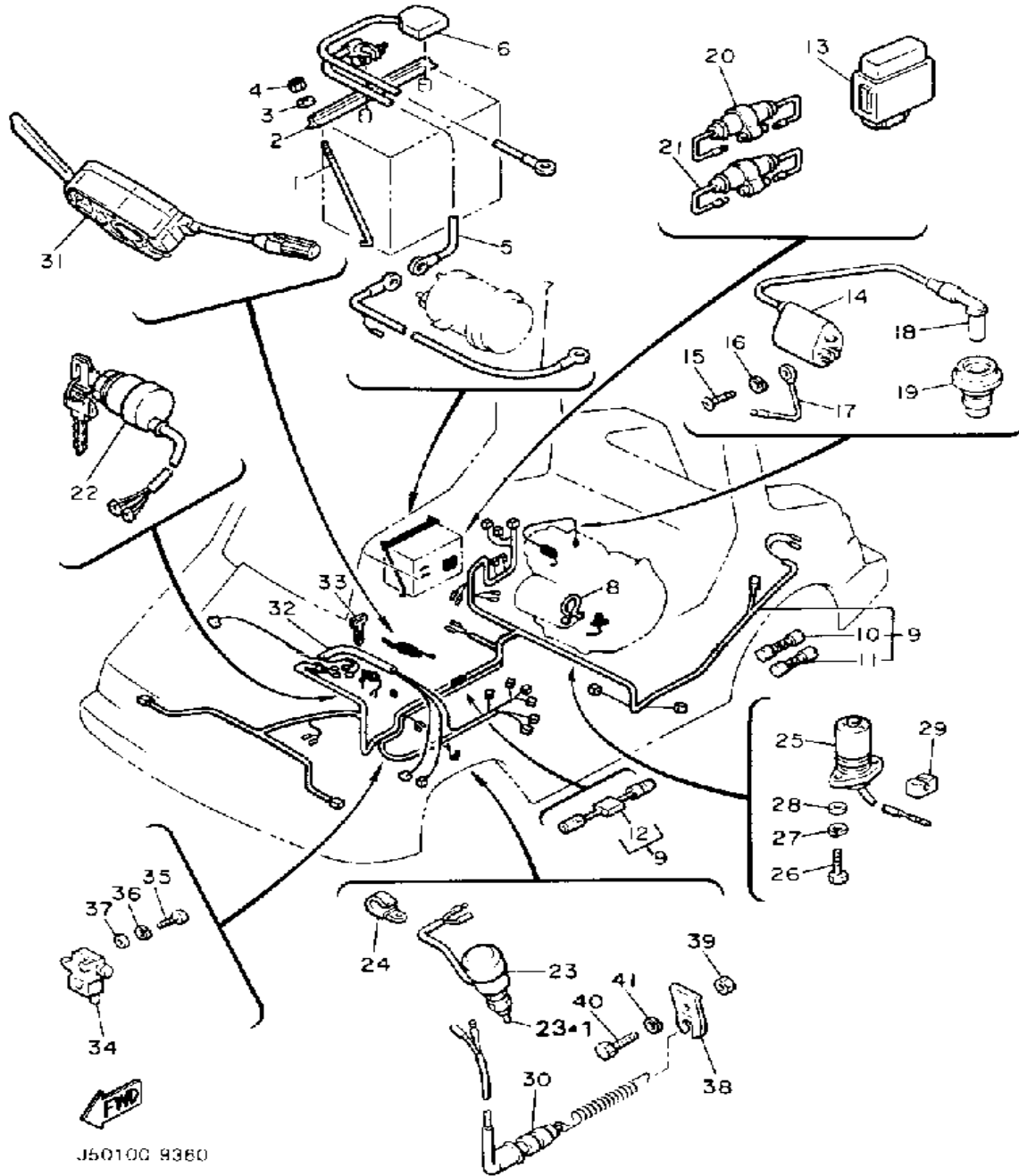
ELECTRICAL 2



| Ref. No. | Part Number | Description | Qty | Remarks |
|----------|-----------------|--|-----|---------|
| 1 | J17-82133-00-00 | SCREW, FITTING | 2 | |
| 2 | J55-H2136-00-00 | PLATE, BATTERY | 1 | |
| 3 | 92990-06200-00 | WASHER | 2 | |
| 4 | 95701-06300-00 | NUT, NYLON | 2 | |
| 5 | J50-H2115-00-00 | WIRE, PLUS LEAD | 1 | |
| 6 | J50-H2116-00-00 | WIRE, MINUS LEAD | 1 | |
| 7 | J50-H2117-00-00 | WIRE, LEAD | 1 | |
| 8 | 90464-23041-00 | CLAMP | 1 | |
| 9 | J50-82590-00-00 | WIRE HARNESS ASSEMBLY | 1 | |
| 10 | 42X-82151-00-00 | . FUSE (10A-BL) | 4 | |
| 11 | 36Y-82151-00-00 | . FUSE (15A-BL) | 2 | |
| 12 | 3K7-81980-00-00 | . DIODE ASSEMBLY | 2 | |
| 13 | J38-82305-20-00 | IGNITOR UNIT ASSEMBLY 1 | 1 | |
| 14 | J38-82310-20-00 | IGNITION COIL ASSEMBLY | 1 | |
| 15 | 98511-05020-00 | SCREW, PAN HEAD | 2 | |
| 16 | 92990-05100-00 | WASHER, SPRING | 2 | |
| 17 | J38-82318-00-00 | WIRE, SUB-LEAD | 1 | |
| 18 | 8K1-82370-20-00 | PLUG CAP ASSEMBLY (WITH RESISTOR) | 1 | |
| 19 | J38-82372-00-00 | SEAL, plug cap | 1 | |
| 20 | J42-82150-50-00 | FUSE HOLDER ASSEMBLY | 1 | |
| 21 | J42-82150-50-00 | FUSE HOLDER ASSEMBLY | 1 | |
| 22 | J50-82510-00-00 | MAIN SWITCH ASSEMBLY | 1 | |
| 23 | J41-82550-01-00 | ENGINE STOP SWITCH ASSEMBLY | 1 | |
| 24 | 90465-06038-00 | CLAMP | 1 | |
| 25 | JH2-85720-00-00 | OIL LEVEL GAUGE ASSEMBLY (JF2-85720-00-00) | 1 | |
| 26 | 97011-06020-00 | BOLT | 2 | |
| 27 | 92995-06100-00 | WASHER, SPRING | 2 | |

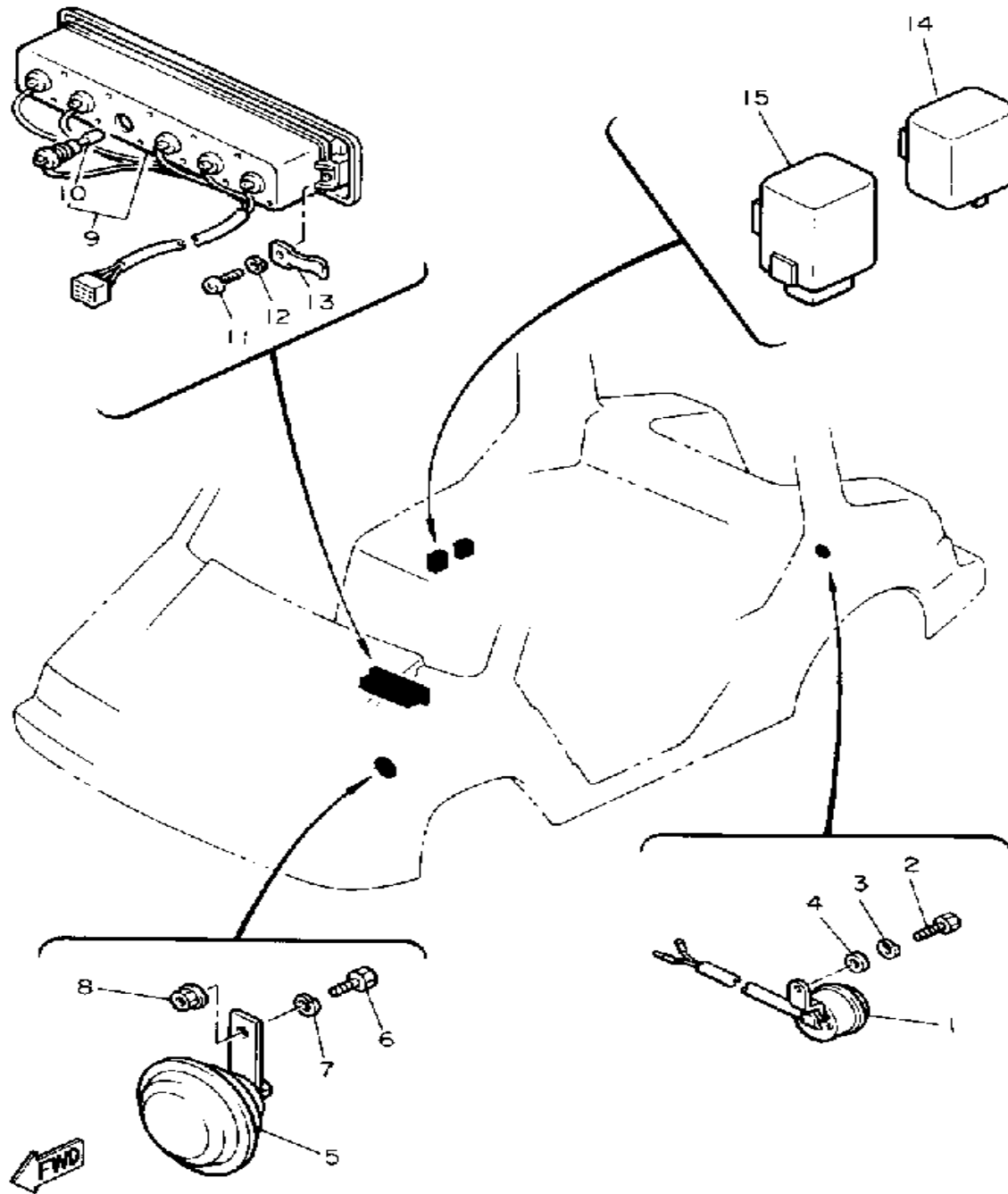
CONTINUED ON NEXT FRAME ►

ELECTRICAL 2



| Ref. No. | Part Number | Description | Qty | Remarks |
|----------|-----------------|--|-----|---------|
| 28 | 92990-06600-00 | WASHER, PLATE | 2 | |
| 29 | J38-82598-00-00 | GROMMET | 1 | |
| 30 | J50-82530-01-00 | STOP SWITCH ASSEMBLY ... | 1 | |
| 31 | J42-83975-00-00 | SWITCH, HANDLE 2 | 1 | |
| 32 | J50-82580-00-00 | WIRE HARNESS ASSEMBLY 2 | 1 | |
| 33 | 25G-83936-01-00 | BAND, SWITCH CORD | 1 | |
| 34 | J50-82617-00-00 | SWITCH | 1 | |
| 35 | 98511-04025-00 | SCREW, PAN HEAD | 1 | |
| 36 | 92901-04100-00 | WASHER, SPRING | 1 | |
| 37 | 92901-04600-00 | WASHER, PLATE | 1 | |
| 38 | J13-25656-00-00 | BRKT, STOP LT SWCHSTOP LIGHT SWITCH | 1 | |
| 39 | 95380-06600-00 | NUT | 1 | |
| 40 | 97011-06016-00 | BOLT | 1 | |
| 41 | 92995-06100-00 | WASHER, SPRING | 1 | |
| 5-1 | 90108-06420-00 | BOLT, BATTERY CABLE | 1 | |
| 5-2 | 92801-06000-00 | NUT, BATTERY CABLE | 1 | |
| 6-1 | 90108-06420-00 | BOLT, BATTERY CABLE | 1 | |
| 6-2 | 92801-06000-00 | NUT, BATTERY CABLE | 1 | |
| 23-1 | JF2-82532-00-00 | . CAP, RUBBER | 1 | |

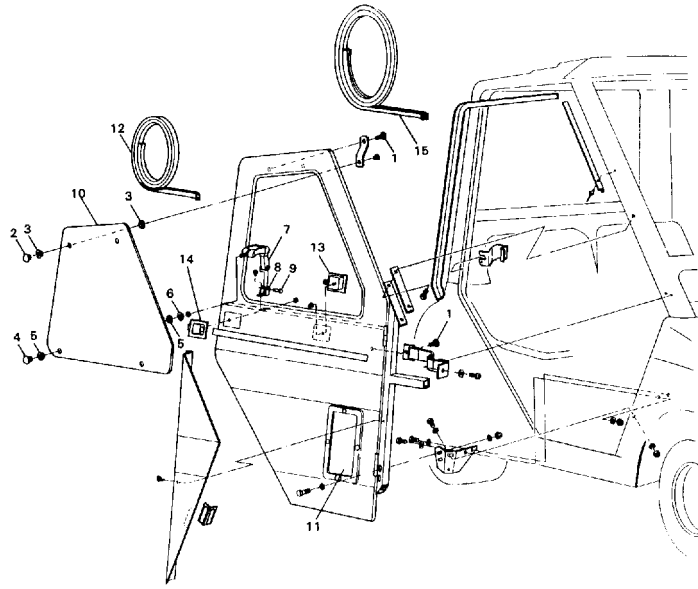
ELECTRICAL 3



J50100-9370

| Ref. No. | Part Number | Description | Qty | Remarks |
|----------|-----------------|----------------------------|-----|---------|
| 1 | J10-83383-02-00 | BUZZER | 1 | |
| 2 | 97011-06016-00 | BOLT | 1 | |
| 3 | 92995-06100-00 | WASHER, SPRING | 1 | |
| 4 | 92990-06600-00 | WASHER, PLATE | 1 | |
| 5 | 2KR-83371-00-00 | HORN | 1 | |
| 6 | 97013-06012-00 | BOLT | 1 | |
| 7 | 92995-06100-00 | WASHER, SPRING | 1 | |
| 8 | 95702-06600-00 | NUT, FLANGE | 1 | |
| 9 | J50-83530-00-00 | PILOT LIGHT ASSEMBLY | 1 | |
| 10 | 4G1-84744-00-00 | . BULB, MTR.12V3.4W | 6 | |
| 11 | 98580-04010-00 | SCREW, PAN HEAD | 2 | |
| 12 | 92901-04100-00 | WASHER, SPRING | 2 | |
| 13 | J50-83514-00-00 | PLATE, FITTING | 2 | |
| 14 | 50V-83350-20-00 | FLASHER RELAY ASSEMBLY . | 1 | |
| 15 | J42-85590-01-00 | CONTROL UNIT ASSEMBLY .. | 1 | |

OPTIONAL PARTS G5 DOOR



| Ref. No. | Part Number | Description | Qty | Remarks |
|----------|-----------------|---------------------------|-----|---------|
| 1 | ABA-J5011-01-14 | SCREW;1/4-20 X 3 4 | 2 | |
| 2 | ABA-J5011-01-12 | KNOB;SHORT RD HEAD | 2 | |
| 3 | ABA-J5011-01-13 | WASHER;FLANGED BLK | 4 | |
| 4 | ABA-J5011-01-24 | KNOB;RD HD ADJUSTING CHR | 2 | |
| 5 | ABA-J5011-01-25 | NUT;LRG FLANGE CHR | 2 | |
| 6 | ABA-J5011-01-26 | WASHER;FLANGED BLK | 4 | |
| 7 | ABA-J5011-01-21 | LATCH;WSTUD&LINK | 2 | |
| 8 | ABA-J5011-01-22 | HINGE;MODIFIED PVT | 2 | |
| 9 | AB-AJ501-10-12 | UNAVAILABLE IN PRICE BOOK | 2 | |
| 10 | ABA-J5011-01-00 | WINDOW;UPPR TINTED | 1 | |
| 11 | ABA-J5011-02-00 | WINDOW; LWR TINTED | 1 | |
| 12 | ABA-J5011-01-15 | MOLDING;WINDOW9.5" | 1 | |
| 13 | ABA-J5011-42-00 | LATCH;PADDLE INNER | 1 | |
| 14 | ABA-J5011-41-00 | LATCH;PADDLE OUTER | 1 | |
| 15 | ABA-J5011-50-00 | SEAL; BULB 7.5FT | 1 | |