



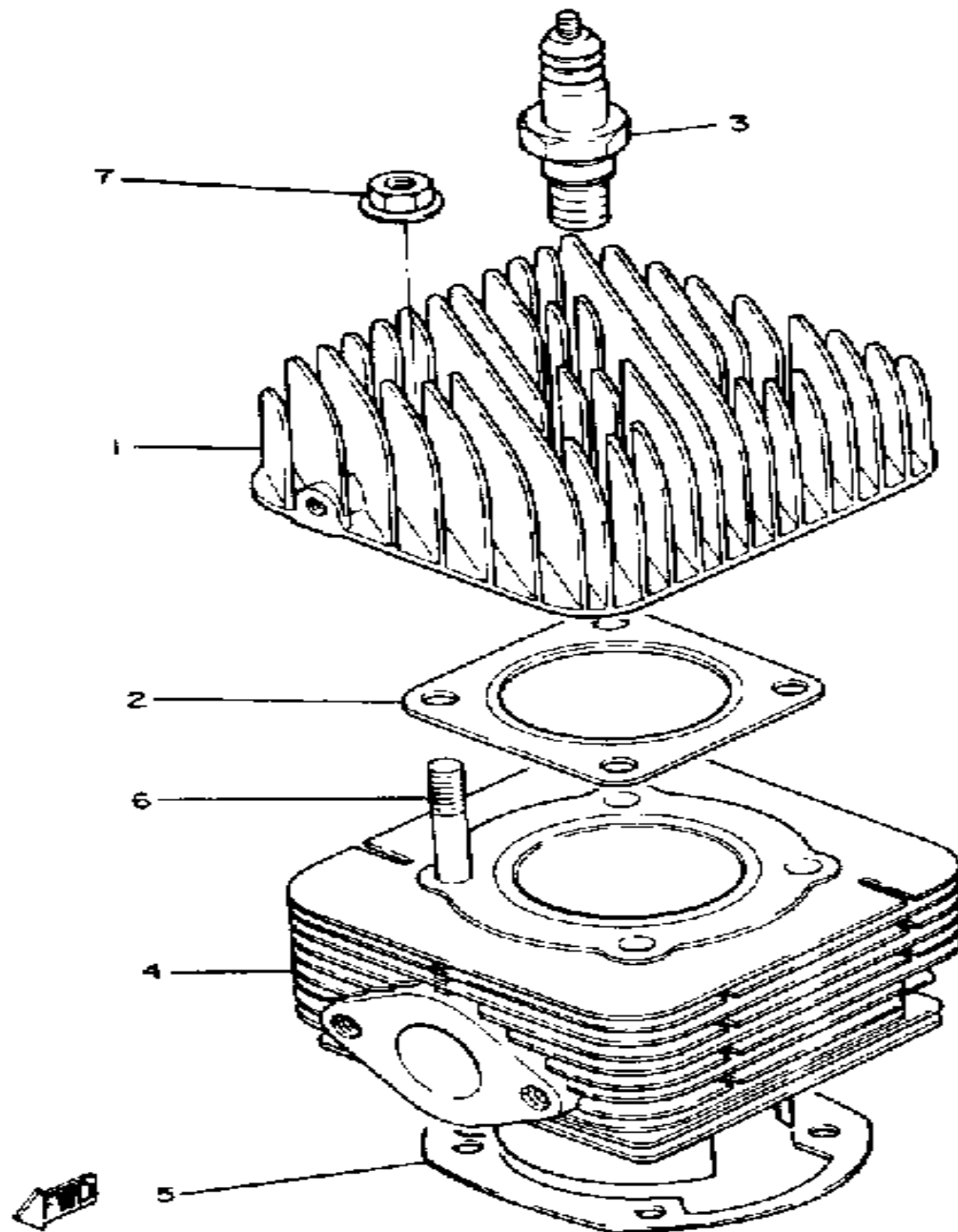
YAMAHA

GENUINE

PARTS CATALOGUE

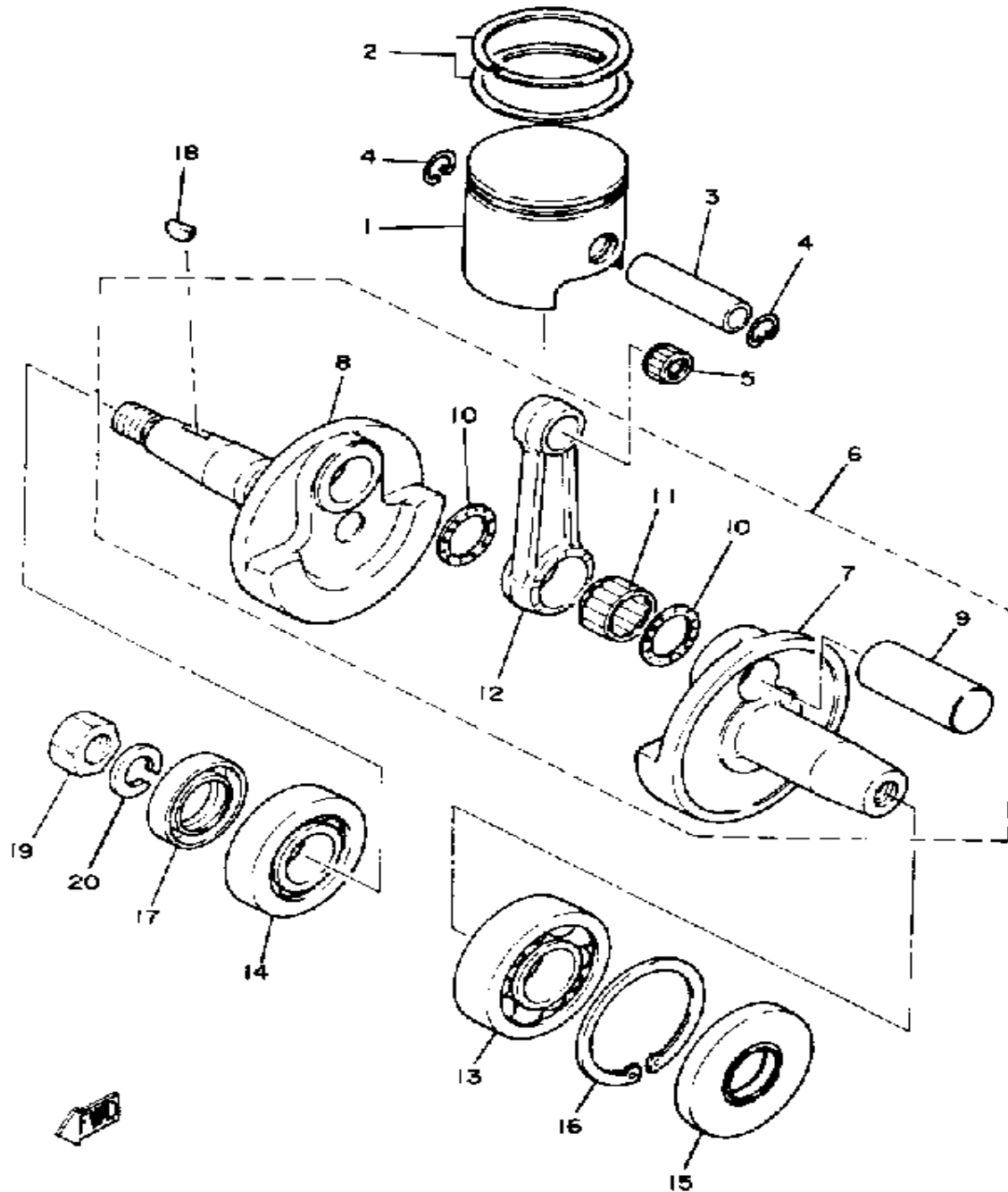
GOLF CAR

CYLINDER HEAD-CYLINDER



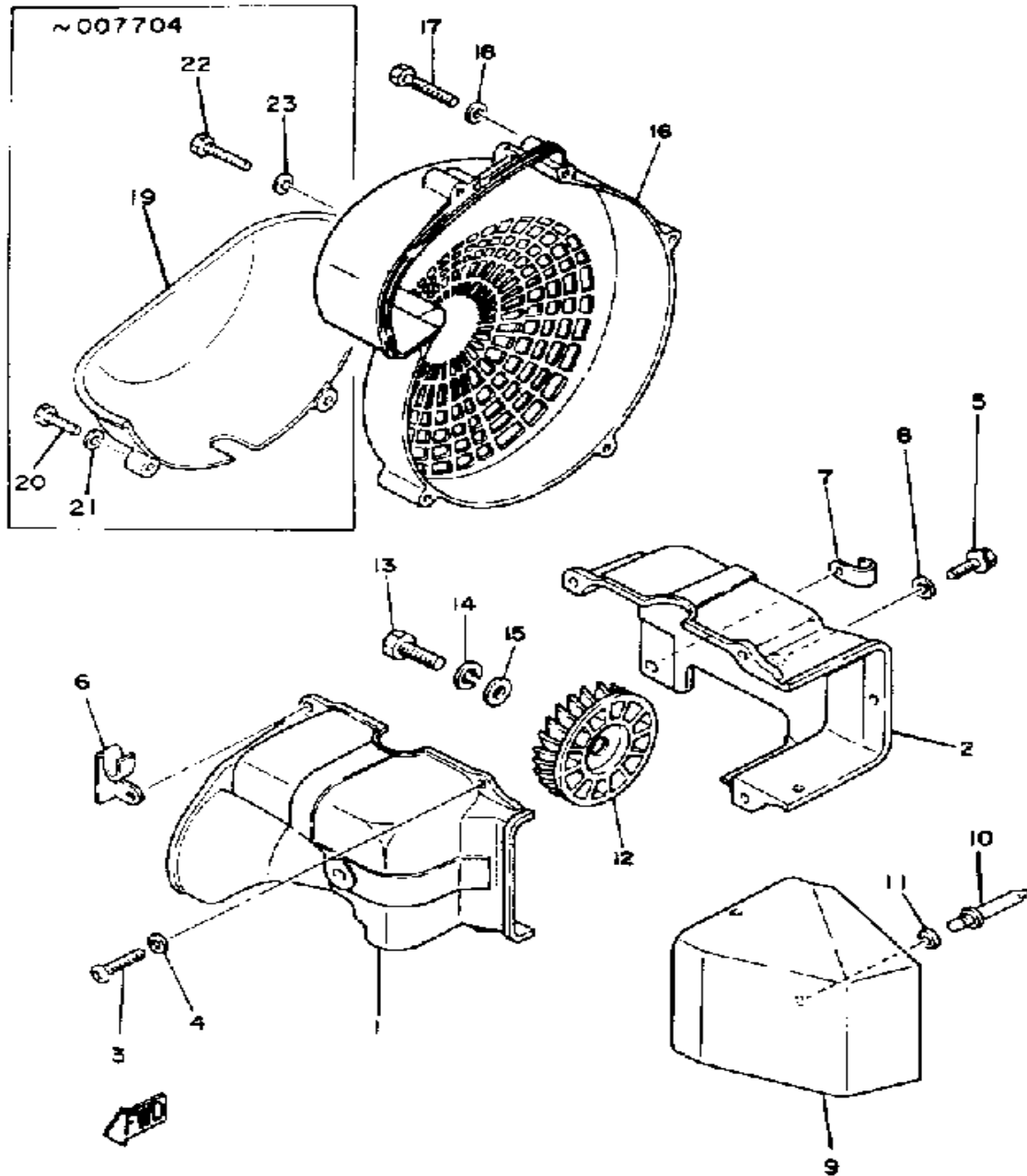
| Ref. No. | Part Number | Description | Qty | Remarks |
|----------|-----------------|---------------------------|-----|---------|
| 1 | J10-11111-00-00 | HEAD, CYLINDER 1 | 1 | |
| 2 | J10-11181-00-00 | GASKET, CYLINDER HEAD 1 . | 1 | |
| 3 | NGK-BP5HS-00-00 | NGK BP5HS 10PK | 1 | LM |
| 4 | J10-11311-00-00 | CYLINDER 1 | 1 | |
| 5 | 881-11351-01-00 | GASKET, CYLINDER | 1 | |
| 6 | 90116-08254-00 | BOLT, STUD | 4 | |
| 7 | 90179-08270-00 | NUT | 4 | |
| | 95701-08500-00 | NUT, FLANGE | 4 | |

CRANKSHAFT PISTON



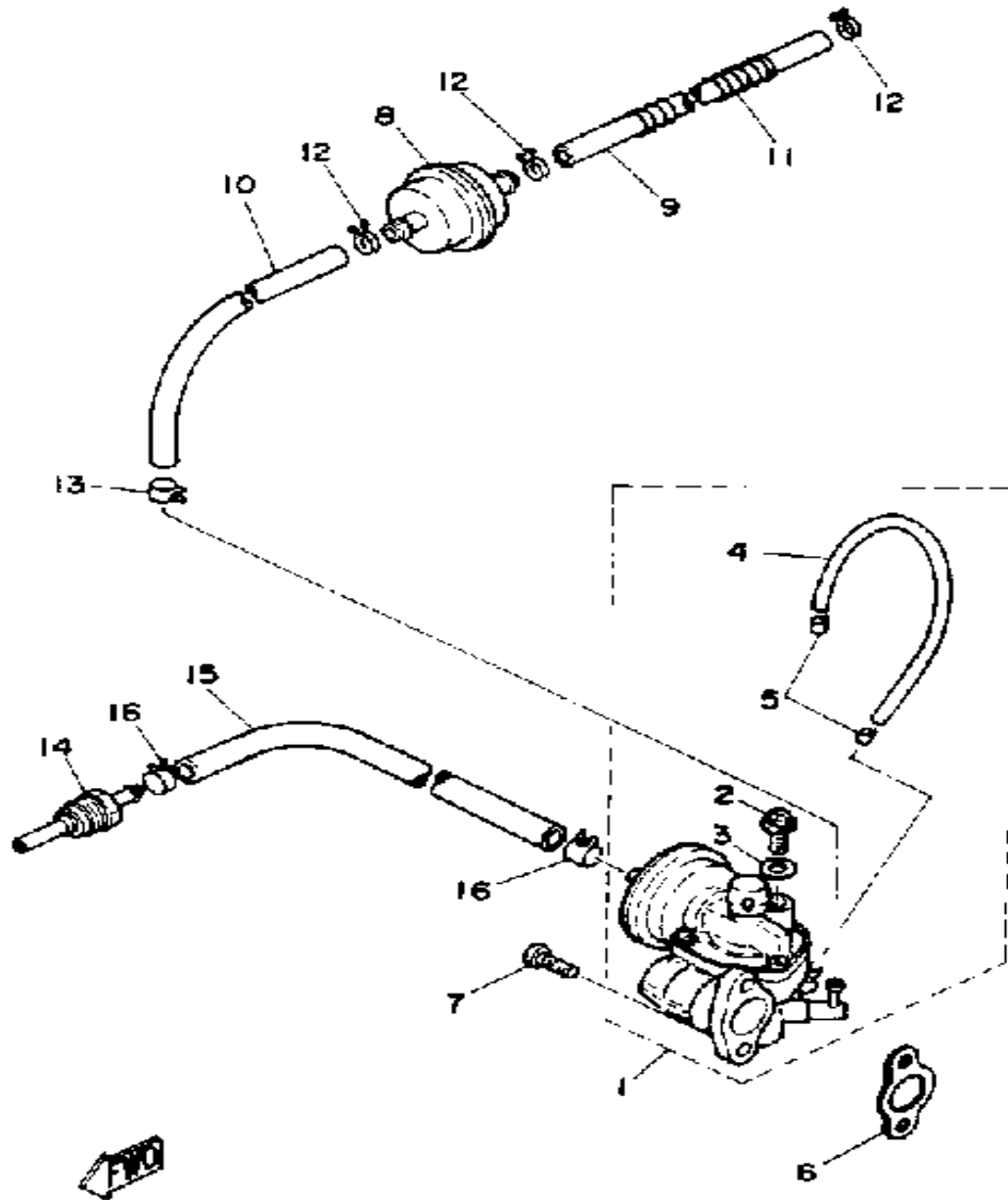
| Ref. No. | Part Number | Description | Qty | Remarks |
|----------|-----------------|------------------------------|-----|-----------|
| 1 | J10-11631-00-96 | PISTON STD | 1 | U.R. |
| | J10-11635-00-00 | PISTON 1 O/S 0.5 | 1 | ALT. PART |
| | J10-11636-00-00 | PISTON 2 O/S 0.0 | 1 | ALT. PART |
| 2 | J10-11610-00-00 | PISTON RINGSET STD | 1 | |
| | J10-11610-10-00 | PISTON RINGSET 1ST (1ST O/S) | 1 | ALT. PART |
| | J10-11610-20-00 | PISTON RINGSET 2ND (2ND O/S) | 1 | ALT. PART |
| 3 | 818-11633-00-00 | PIN, PISTON | 1 | |
| 4 | 93450-20026-00 | CIRCLIP | 2 | |
| 5 | 93310-218A6-00 | BEARING | 1 | |
| 6 | J10-11400-00-00 | CRANKSHAFT ASSEMBLY | 1 | |
| 7 | J10-11412-00-00 | . CRANK 1 | 1 | |
| 8 | J10-11422-00-00 | . CRANK 2 | 1 | |
| 9 | 857-11681-00-00 | . PIN, CRANK 1 | 1 | |
| 10 | 90209-24073-00 | . WASHER | 2 | |
| 11 | 93310-42497-00 | . BEARING, CYLINDER.# 0 | 1 | |
| 12 | 881-11651-00-00 | . ROD, CONNECTING | 1 | |
| 13 | 93306-30630-00 | BEARING | 1 | |
| 14 | 93306-20622-00 | BEARING | 1 | |
| 15 | 93102-30188-00 | OIL SEAL, SD-TYPE | 1 | |
| 16 | 93450-72048-00 | CIRCLIP, INNER | 1 | |
| 17 | 93102-30128-00 | OIL SEAL, SD-TYPE | 1 | |
| 18 | 90280-16053-00 | KEY, WOODRUFF | 1 | |
| 19 | 90170-16182-00 | NUT | 1 | |
| 20 | 92901-16100-00 | WASHER, SPRING | 1 | |

AIR SHROUD-FAN



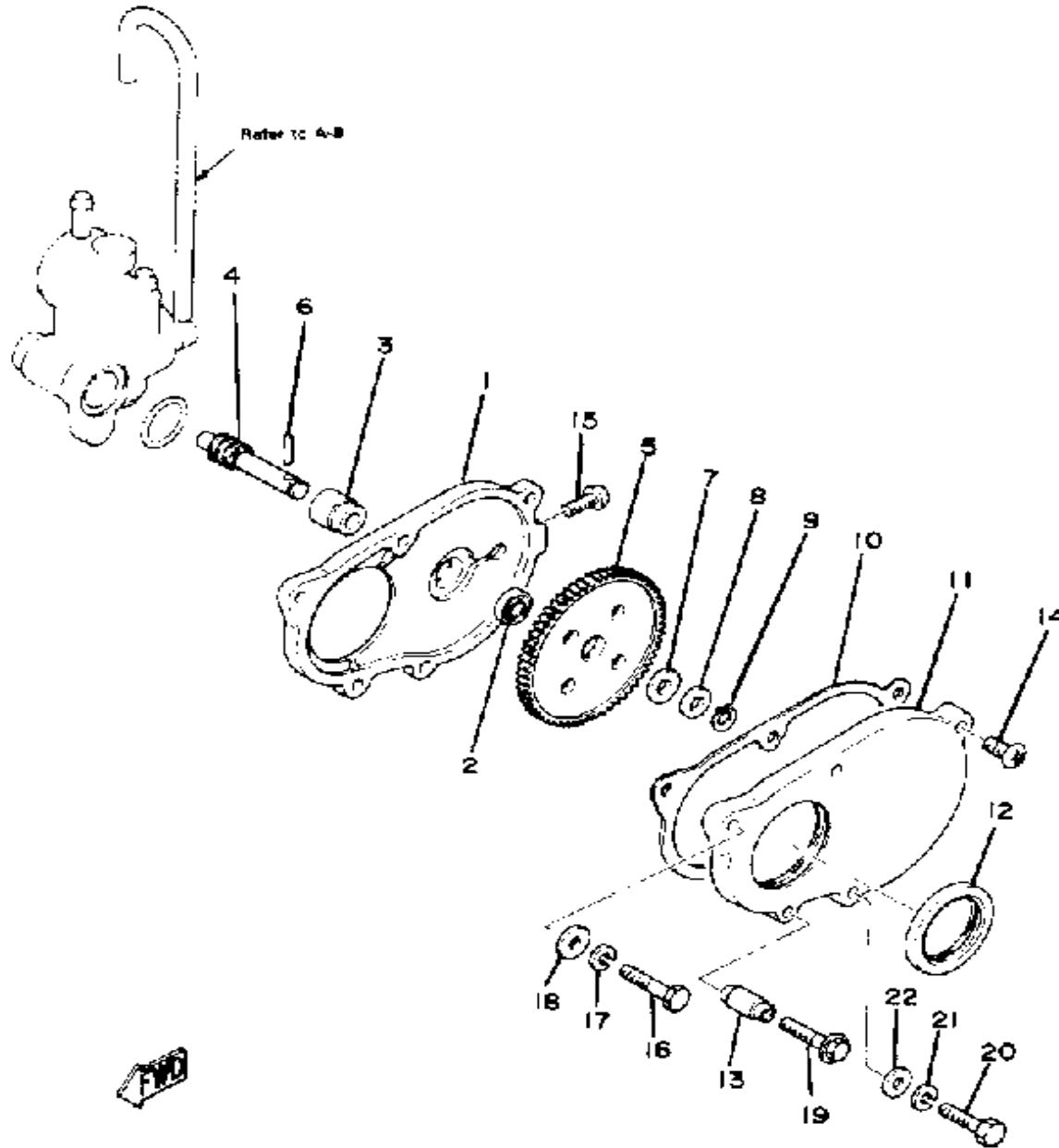
| Ref. No. | Part Number | Description | Qty | Remarks |
|----------|-----------------|-------------------------------------|-----|---------|
| 1 | J10-12651-00-00 | AIR SHROUD, CYLINDER 1CYLINDER 1 | 1 | |
| 2 | J24-12652-00-00 | AIR SHROUD, CYLINDER 2CYLINDER 2 | 1 | |
| 3 | 98503-06014-00 | SCREW, PAN HEAD (92502-06016) | 3 | |
| 4 | 92901-06600-00 | . WASHER | 3 | |
| 5 | 97313-06016-00 | BOLT, HEXAGON | 4 | |
| 6 | 90465-10129-00 | CLAMP | 1 | |
| 7 | 90465-08028-00 | CLAMP | 1 | |
| 8 | 90201-06059-00 | WASHER, PLATE | 4 | |
| | 90201-065F3-00 | WASHER, PLATE | 4 | 705~ |
| 9 | J10-12631-00-00 | DEFLECTOR 1 | 1 | |
| 10 | 90267-48086-00 | RIVET, BLIND | 3 | |
| 11 | 90201-04325-00 | WASHER, PLATE | 3 | |
| 12 | 8G8-12611-01-00 | FAN | 1 | |
| 13 | 97011-06016-00 | BOLT | 6 | |
| 14 | 92995-06100-00 | WASHER, SPRING | 6 | |
| 15 | 92901-06600-00 | WASHER | 6 | |
| 16 | J10-12621-01-00 | CASE, FAN | 1 | |
| 17 | 97313-06050-00 | BOLT | 3 | |
| 18 | 92901-06600-00 | WASHER | 3 | |
| | 92901-06600-00 | WASHER | 5 | 705~ |
| 19 | J10-12616-00-00 | COVER, FAN CASE | 1 | |
| 20 | 97313-06065-00 | BOLT, HEXAGON | 2 | |
| 21 | 92901-06600-00 | . WASHER | 2 | |
| 22 | 97021-06030-00 | BOLT | 1 | |
| 23 | 92901-06600-00 | . WASHER | 1 | |

OIL PUMP



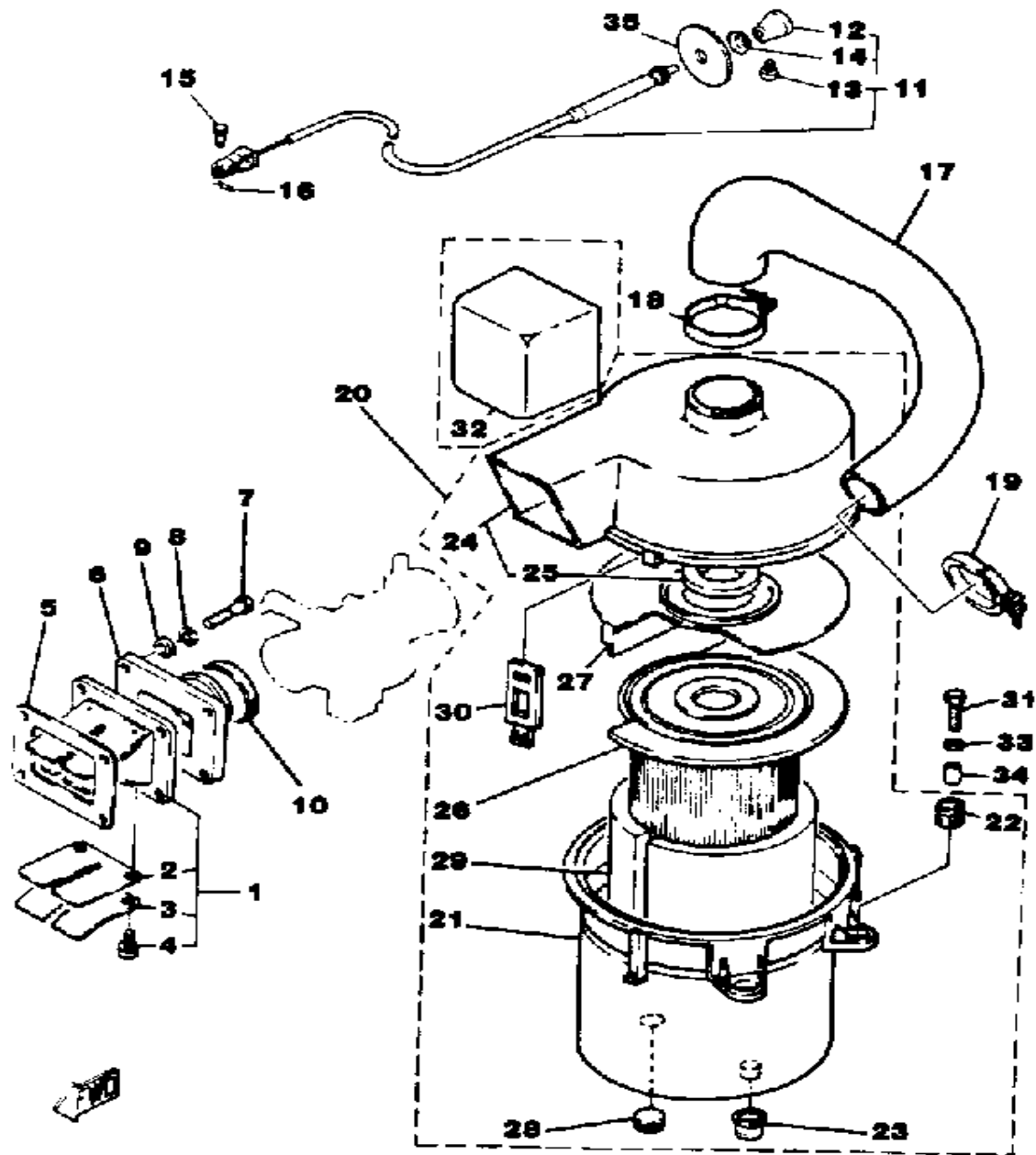
| Ref. No. | Part Number | Description | Qty | Remarks |
|----------|-----------------|---|-----|---------|
| 1 | J10-13101-02-00 | OIL PUMP ASSEMBLY | 1 | |
| 2 | 90401-06001-00 | . BOLT, UNION | 1 | |
| 3 | 90430-06180-00 | . GASKET | 1 | |
| 4 | 90445-05214-00 | . HOSE | 1 | |
| 5 | 90468-02033-00 | . CLIP | 2 | |
| 6 | 3MT-13116-00-00 | GASKET, PUMP CASE (8Y0-13116-00) | 1 | |
| 7 | 98580-05016-00 | SCREW, PAN HEAD | 2 | |
| 8 | J10-13410-00-00 | STRAINER HSNG ASSEMBLY . | 1 | |
| 9 | 90445-09226-00 | HOSE | 1 | |
| 10 | 90445-09282-00 | HOSE | 1 | |
| 11 | 90501-08430-00 | SPRING, COMPRESSION | 1 | |
| 12 | 90467-09005-00 | CLIP, SCISSOR | 3 | |
| 13 | 90467-09026-00 | CLIP | 1 | |
| 14 | J10-13283-00-00 | JET, SENSER | 1 | |
| 15 | 90445-11391-00 | HOSE | 1 | |
| 16 | 90467-10035-00 | CLIP | 2 | |

PUMP DRIVE GEAR



| Ref. No. | Part Number | Description | Qty | Remarks |
|----------|-----------------|--------------------------|-----|---------|
| 1 | J10-15416-00-00 | COVER, OIL PUMP | 1 | |
| 2 | 93101-10090-00 | OIL SEAL | 1 | |
| 3 | 1E7-13176-00-00 | METAL, WRM SHAF OTR | 1 | |
| 4 | J10-13175-00-00 | SHAFT, WORM | 1 | |
| 5 | J10-13188-00-00 | GEAR, DRIVE | 1 | |
| 6 | 93603-22028-00 | PIN, DOWEL | 1 | |
| 7 | 90206-11016-00 | WASHER, WAVE | 1 | |
| 8 | 137-13148-00-00 | PLATE, CAM THRUST | 1 | |
| 9 | 99009-10400-00 | CIRCLIP | 1 | |
| 10 | J10-15466-00-00 | GASKET 2 | 1 | |
| 11 | J10-15426-00-00 | COVER, OIL PUMP R | 1 | |
| 12 | 93112-53004-00 | OIL SEAL, SR-TYPE | 1 | 705~ |
| 13 | 91810-18025-00 | PIN, DOWEL | 2 | |
| 14 | 98580-06018-00 | SCREW, PAN HEAD | 1 | |
| 15 | 98580-06012-00 | SCREW, PAN HEAD | 1 | |
| 16 | 97313-08035-00 | BOLT, HEXAGON | 1 | |
| 17 | 92990-08100-00 | WASHER | 1 | |
| 18 | 92901-08600-00 | WASHER | 1 | |
| 19 | 95811-06035-00 | BOLT, FLANGE | 2 | |
| 20 | 97021-06030-00 | BOLT | 1 | |
| 21 | 92995-06100-00 | WASHER, SPRING | 1 | |
| 22 | 92901-06600-00 | WASHER | 1 | |

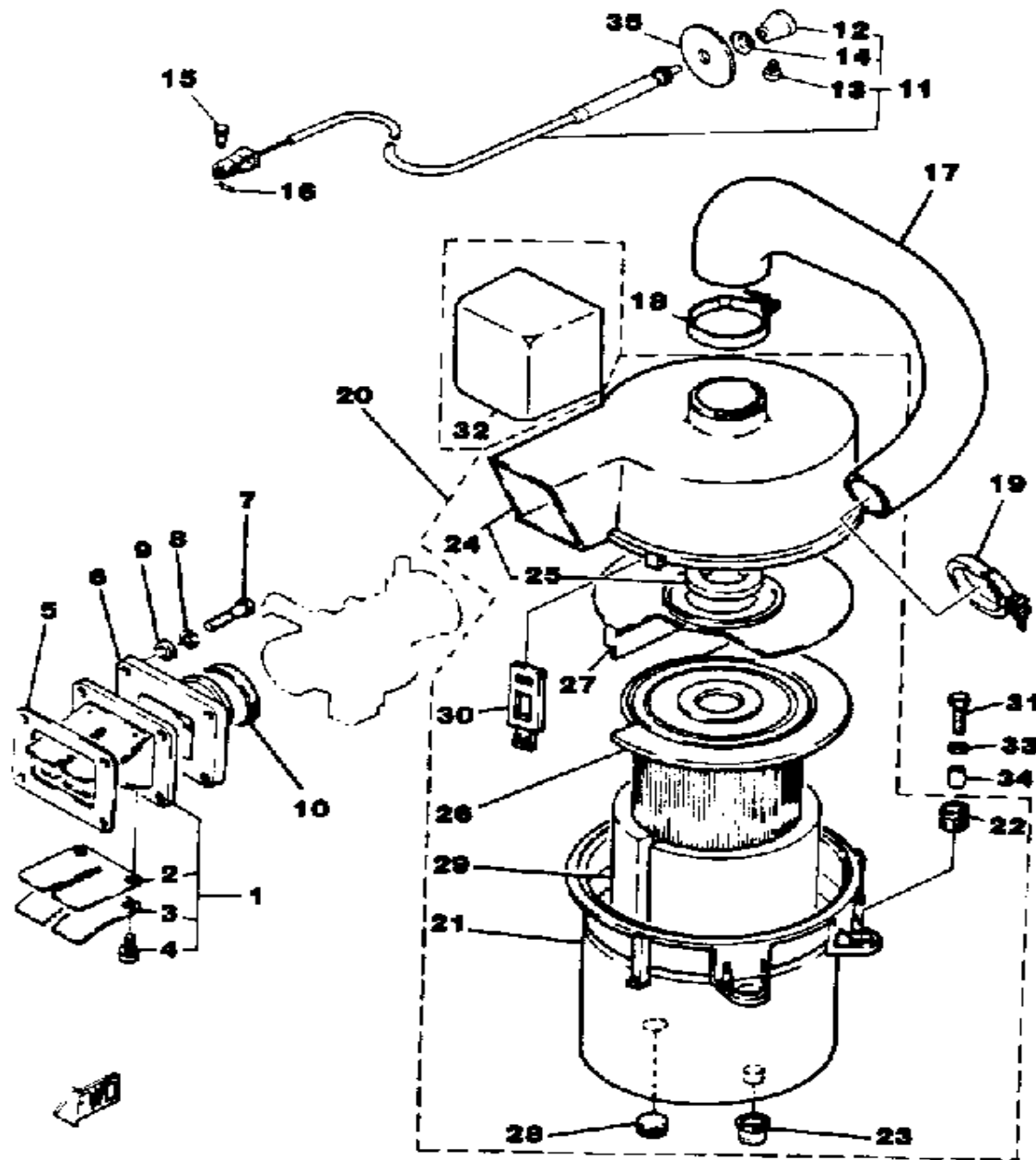
AIR FILTER



| Ref. No. | Part Number | Description | Qty | Remarks |
|----------|-----------------|---|-----|---------|
| 1 | 10V-13610-01-00 | REED VALVE ASSEMBLY (885-13610-00) | 1 | |
| 2 | 10V-13613-01-00 | . REED, VALVE (1L8-13613-00) | 2 | |
| 3 | 1UA-13616-00-00 | . STOPPER REED VALVE VALVE (10V-13616-01) | 2 | |
| 4 | 98580-03008-00 | . SCREW, PAN HEAD | 4 | |
| 5 | 3TT-13621-00-00 | GASKET, VALVE SEAT | 1 | |
| 6 | J10-13586-00-00 | JOINT, CARBURETOR 1 | 1 | |
| 7 | 97021-06030-00 | BOLT | 4 | |
| 8 | 92995-06100-00 | WASHER, SPRING | 4 | |
| 9 | 92901-06600-00 | . WASHER | 4 | |
| 10 | 90460-41191-00 | CLAMP, HOSE (90460-41146) | 1 | |
| 11 | J10-26331-02-00 | CABLE, STARTER 1 | 1 | |
| 12 | J10-26325-00-00 | . KNOB, STARTER | 1 | |
| 13 | 90149-03132-00 | . SCREW, SPECIAL SHAPE | 1 | |
| 14 | J17-26339-09-00 | . BOOT | 1 | |
| 15 | 91701-05010-00 | PIN, CYLINDER. HEAD | 1 | |
| 16 | 90468-10050-00 | . CLIP | 1 | |
| 17 | J10-14453-00-00 | JOINT, AIR CLNR 1 | 1 | |
| 18 | 90460-41191-00 | CLAMP, HOSE (90460-41146) | 1 | |
| 19 | 90460-50035-00 | CLAMP, HOSE | 1 | |
| 20 | J10-14410-00-00 | AIR CLEANER ASSEMBLY 1 | 1 | |
| 21 | J10-14411-01-00 | CASE, air cleaner 1 | 1 | |
| 22 | 90480-13238-00 | GROMMET | 2 | |
| 23 | 90480-14239-00 | GROMMET | 2 | |
| 24 | J17-W1443-00-00 | CAP, cleaner case 1 (J17-14412-01-00) | 1 | |
| 25 | J10-14416-00-00 | GASKET, AIR CLEANER | 1 | |
| 26 | J10-14450-10-00 | ELEMENT ASS'Y, air cleaner | 1 | |
| 27 | J10-1441F-00-00 | PARTN, AIR CLNR CSAIR CLEANER CASE | 1 | |

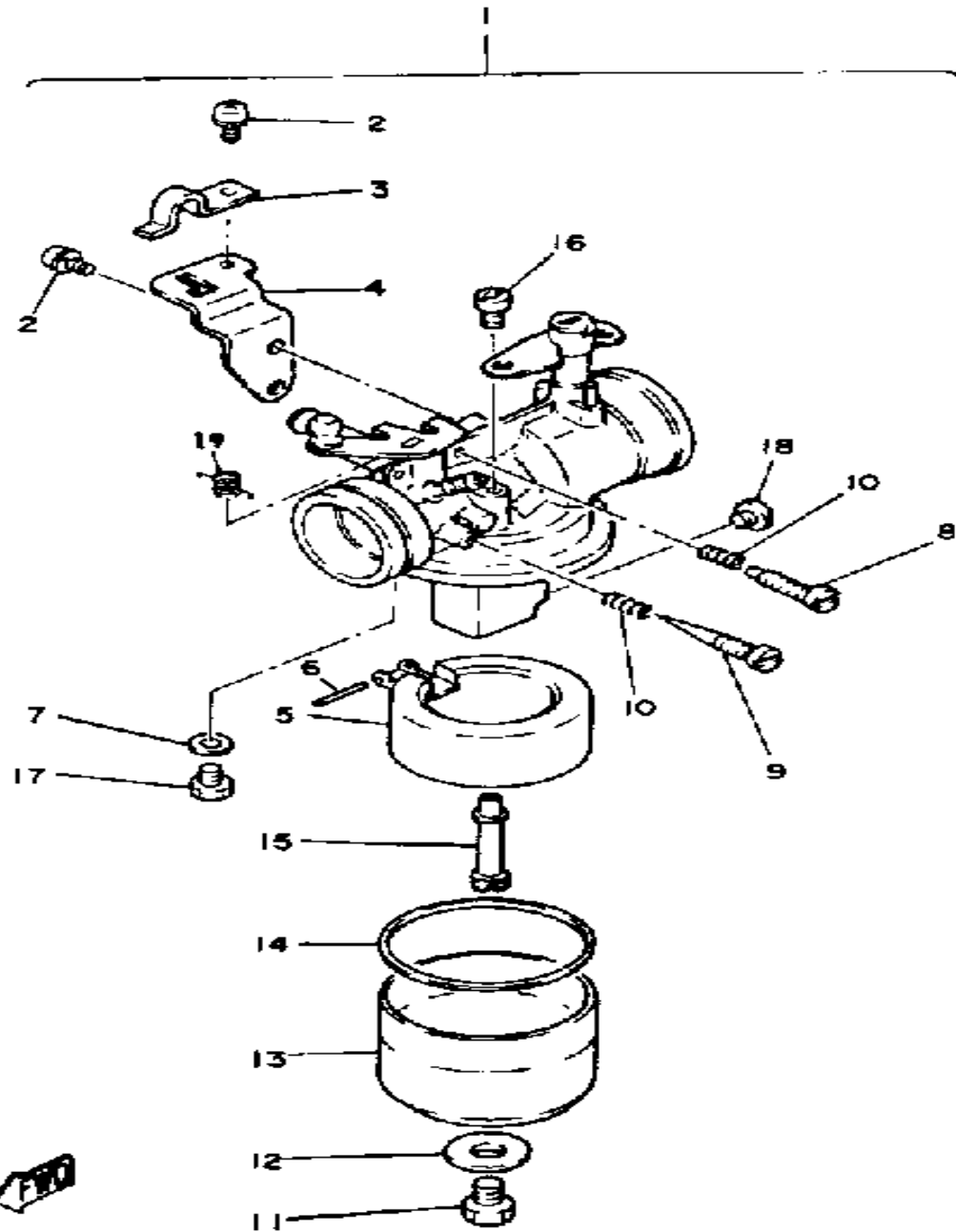
CONTINUED ON NEXT FRAME ►

AIR FILTER



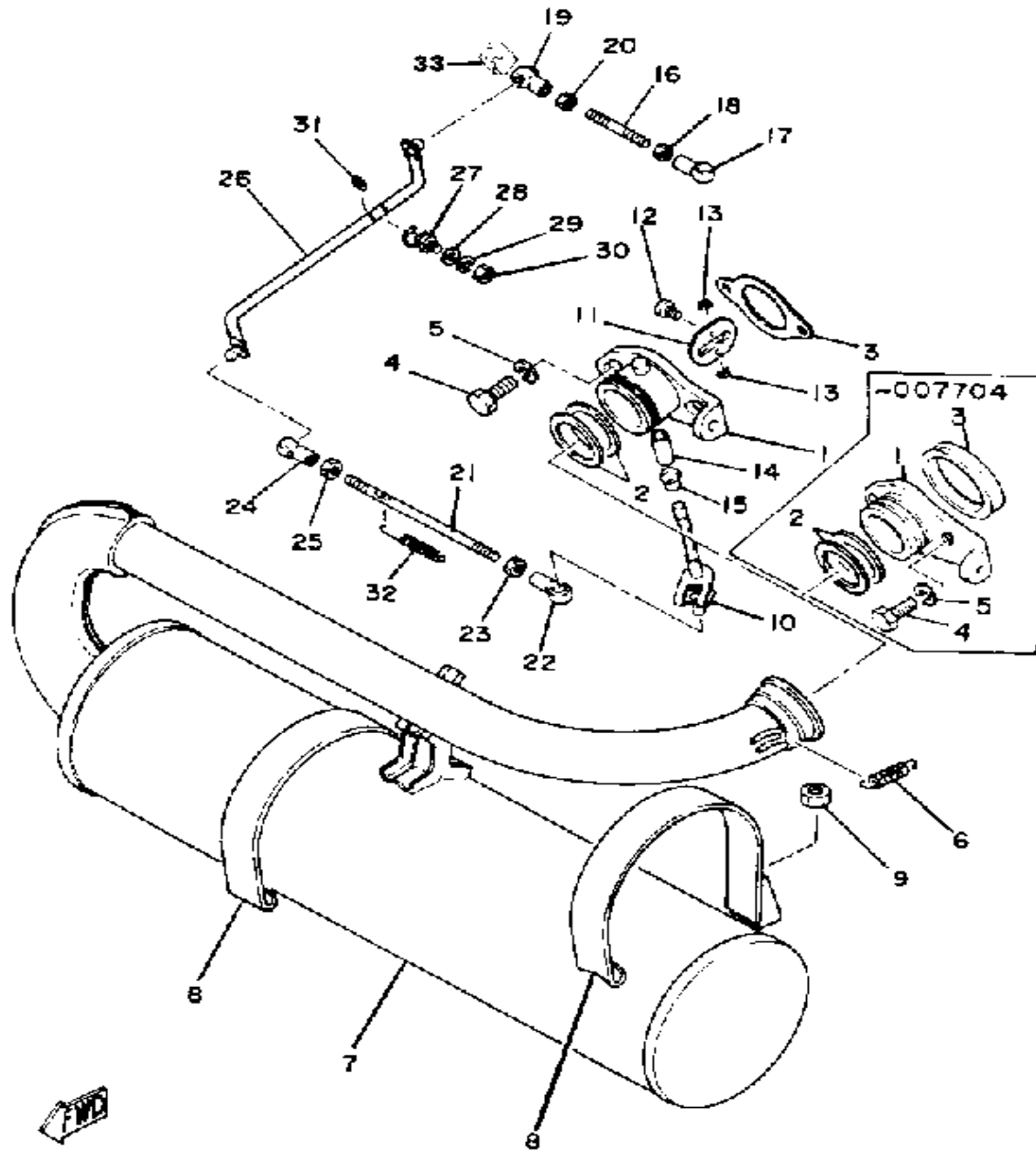
| Ref. No. | Part Number | Description | Qty | Remarks |
|----------|-----------------|-----------------------------|-----|---------|
| 28 | 90480-14100-00 | GROMMET | 1 | |
| 29 | J10-14417-00-00 | COVER 1 | 1 | 255~ |
| 30 | J10-14436-00-00 | HOOK | 3 | |
| 31 | 97003-06022-00 | BOLT, HEXAGON (97301-06022) | 2 | |
| 32 | J10-12644-00-00 | DEFLECTOR 3 0 1 | 1 | 961~ |
| 33 | 90201-062G3-00 | WASHER, PLATE | 2 | |
| | 90201-065F3-00 | WASHER, PLATE | 2 | |
| 34 | 90387-06026-00 | COLLAR | 2 | |
| 35 | 90201-114E6-00 | WASHER, PLATE | 1 | |

CARBURETOR



| Ref. No. | Part Number | Description | Qty | Remarks |
|----------|-----------------|---|-----|-------------|
| 1 | J10-14101-03-00 | CARBURETOR ASSEMBLY 1 (J10-14100-02) 0 1 | 1 | 705~ |
| | J10-14101-09-00 | CARBURETOR ASSEMBLY 1 (J10-14101-01) 0 1 | 1 | 101~ 007704 |
| 2 | 98580-03008-00 | . SCREW, PAN HEAD | 2 | |
| 3 | J10-14243-00-00 | . PLATE | 1 | |
| 4 | J10-14581-00-00 | . BRACKET | 1 | |
| 5 | 796-14185-00-00 | . FLOAT | 1 | |
| 6 | 796-14186-00-00 | . PIN, FLOAT | 1 | |
| 7 | 127-14195-00-00 | . WASHER, NEEDLE VALVE | 1 | |
| 8 | J10-14122-00-00 | . SCREW, THROTTLE | 1 | |
| 9 | 620-14211-00-00 | . SCREW, PILOT ADJUSTING | 1 | |
| 10 | 620-14212-00-00 | . SPRING, PILOT ADJUSTING | 2 | |
| 11 | J10-14244-00-00 | . HOLDER, NOZZLE | 1 | |
| 12 | 732-14237-00-00 | . GASKET | 1 | |
| 13 | 796-14181-00-00 | . BODY, FLOAT CHMBR 1 | 1 | |
| 14 | 796-14184-00-00 | . GASKET, FLOAT CHAMBER | 1 | |
| 15 | J10-14141-00-00 | . NOZZLE, MAIN | 1 | |
| 16 | 620-14142-32-00 | JET, PILOT # 2 | 1 | |
| | 620-14142-45-00 | . JET, PILOT #45 0 1 | 1 | 705~ |
| 17 | 353-14190-15-00 | . NEEDLE VALVE ASSEMBLY | 1 | |
| 18 | 3G2-14231-10-00 | . JET, POWER (# 50) | 1 | |
| | 3G2-14231-20-00 | . JET, PILOT AIR (#100) | 1 | 705~ |
| 19 | J10-14131-00-00 | SPRING, THROTTLE | 1 | |
| | J10-14202-09-00 | THROTTLE SHAFT ASSEMBLY | 1 | |

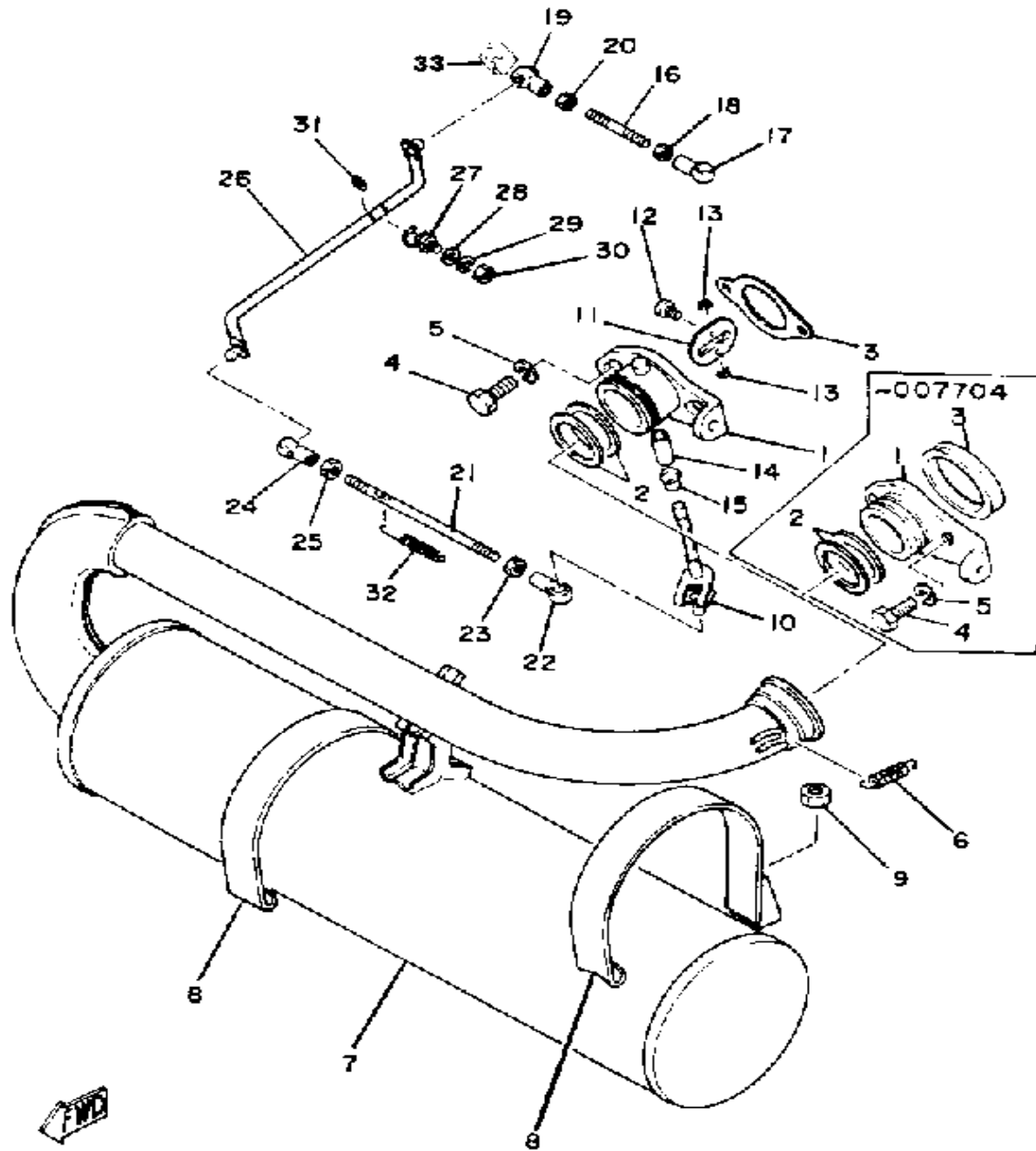
EXHAUST



| Ref. No. | Part Number | Description | Qty | Remarks |
|----------|-----------------|---|-----|---------|
| 1 | J10-14612-00-00 | NUT, RING | 1 | |
| | J10-14612-01-00 | NUT, RING | 1 | 705~ |
| 2 | 888-14633-00-00 | RING | 2 | |
| 3 | 8F3-14613-00-00 | GASKET, EXST PIPE | 1 | |
| | J10-14613-00-00 | GASKET, EXST PIPE | 1 | 705~ |
| 4 | 97013-08025-00 | BOLT | 2 | |
| 5 | 92990-08100-00 | WASHER | 2 | |
| 6 | 90506-20074-00 | SPRING, TENSION | 2 | |
| 7 | 99999-01395-00 | EXHAUST PIPE ASSEMBLY (J10-14610-00) | 1 | |
| | J10-14612-01-00 | . NUT, RING | 1 | |
| | J24-14610-00-00 | . EXHAUST PIPE ASSEMBLY L | 1 | 705~ |
| 8 | J10-14715-01-00 | BAND, MUFFLER | 2 | |
| 9 | 95611-08100-00 | NUT, U | 2 | |
| 10 | J10-14813-01-00 | SHAFT, BUTTERFLY | 1 | 705~ |
| 11 | 99999-01184-00 | . VALVE BUTTERFLY0 1 | 1 | 705~ |
| | J10-14812-02-00 | . VALVE, BUTTERFLY | 1 | |
| | J10-14813-01-00 | . SHAFT, BUTTERFLY | 1 | |
| 12 | 98580-03008-00 | SCREW, PAN HEAD | 2 | |
| | 98580-03008-00 | SCREW, PAN HEAD | 2 | 705~ |
| 13 | 99080-05600-00 | CIRCLIP | 2 | 705~ |
| 14 | J10-14815-00-00 | GASKET | 1 | 705~ |
| 15 | J10-14818-00-00 | COVER, GASKET | 1 | 705~ |
| 16 | J10-14836-00-00 | ROD | 1 | 705~ |
| 17 | J10-14833-00-00 | JOINT 0 1 | 1 | 705~ |
| 18 | 95311-05700-00 | NUT | 1 | 705~ |
| 19 | J10-14864-00-00 | JOINT 0 1 | 1 | 705~ |
| 20 | 90170-05190-00 | NUT, HEXAGON | 1 | 705~ |
| 21 | J10-14837-00-00 | CONNECTOR, ROD | 1 | 705~ |

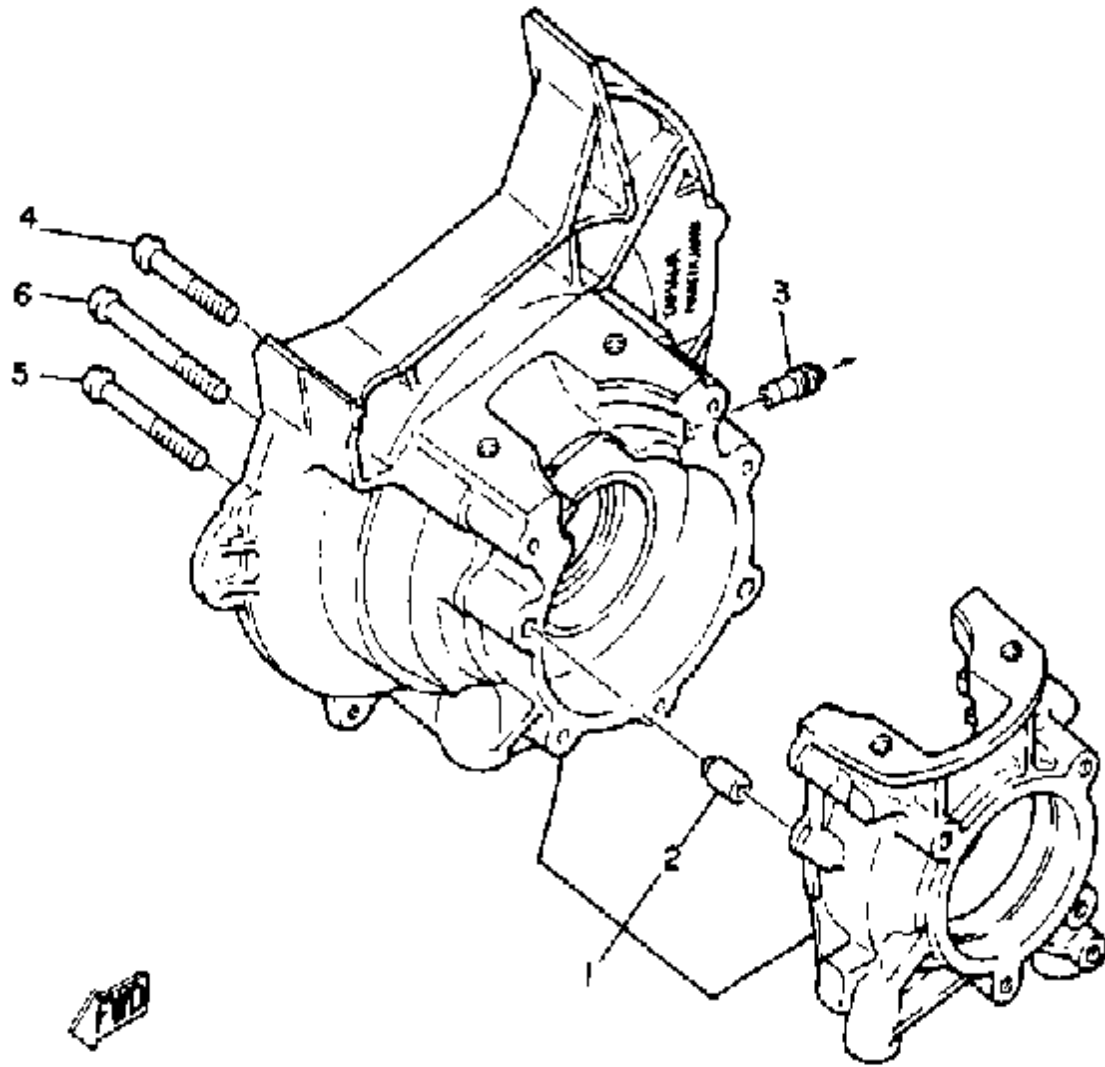
CONTINUED ON NEXT FRAME ►

EXHAUST



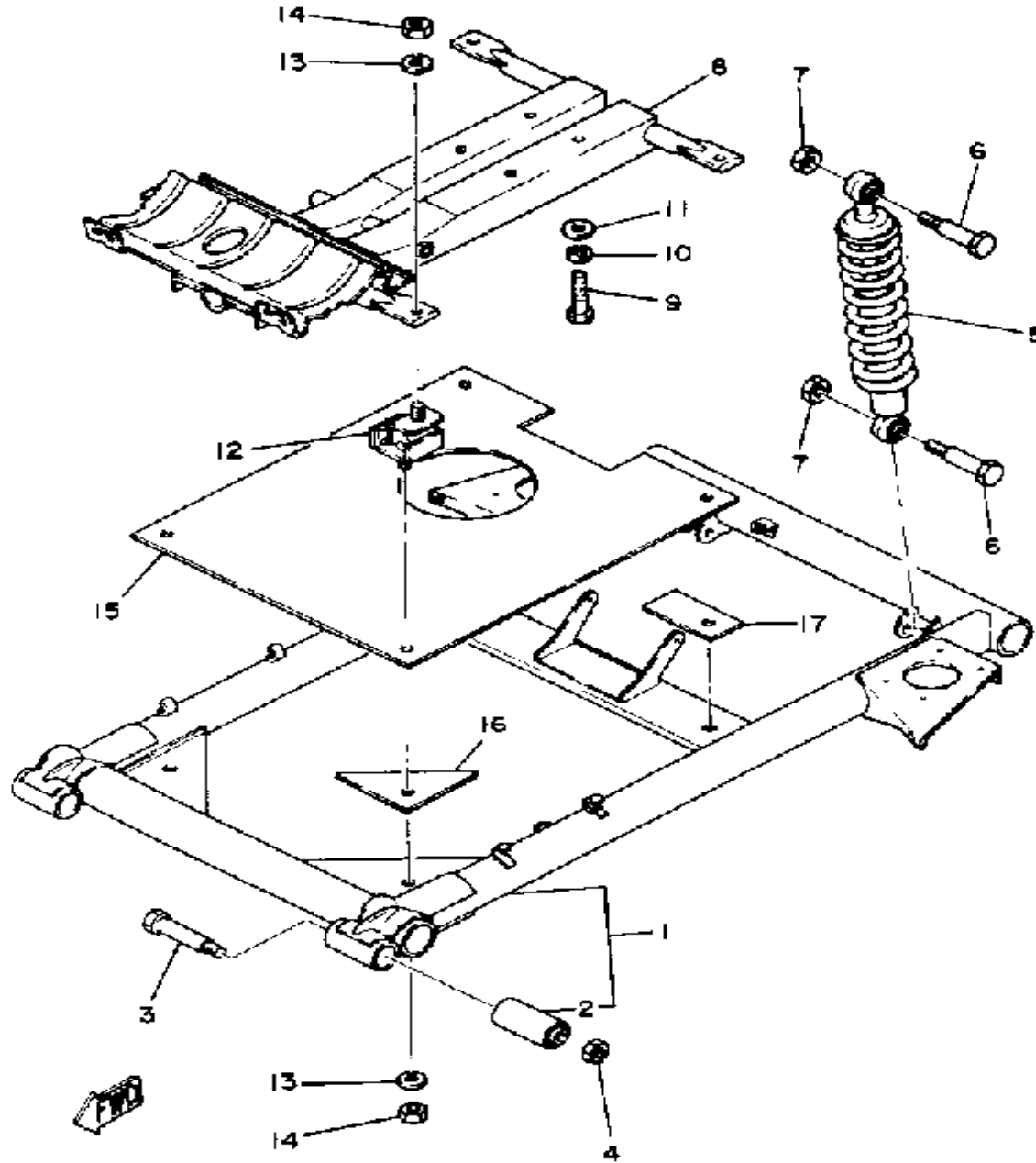
| Ref. No. | Part Number | Description | Qty | Remarks |
|----------|-----------------|-----------------------|-----|---------|
| 22 | J10-14833-00-00 | JOINT 0 1 | 1 | 705~ |
| 23 | 95311-05700-00 | NUT | 1 | 705~ |
| 24 | J10-14864-00-00 | JOINT 0 1 | 1 | 705~ |
| 25 | 90170-05190-00 | NUT, HEXAGON | 1 | 705~ |
| 26 | J10-14802-00-00 | CONNECTER COMP | 1 | 705~ |
| 27 | 90464-07034-00 | CLAMP | 2 | |
| 28 | 92901-05600-00 | WASHER, PLATE | 2 | 705~ |
| 29 | 92990-05100-00 | WASHER, SPRING | 2 | 705~ |
| 30 | 95380-05600-00 | NUT | 2 | 705~ |
| 31 | 99009-06600-00 | CIRCLIP | 2 | 705~ |
| 32 | 90506-06201-00 | SPRING, TENSION | 1 | 705~ |
| 33 | 90468-05112-00 | CLIP | 4 | |

CRANKCASE



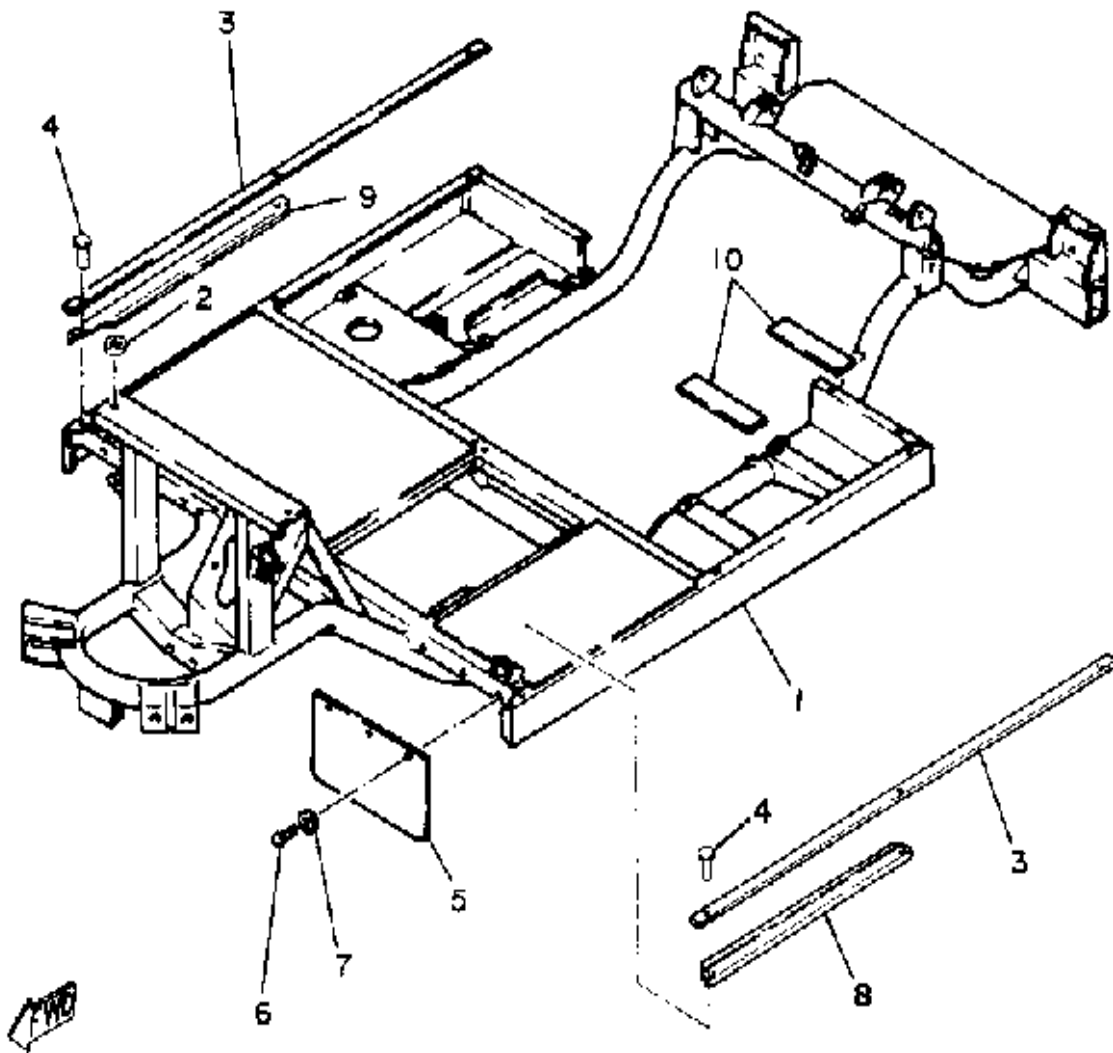
| Ref. No. | Part Number | Description | Qty | Remarks |
|----------|-----------------|-------------------------------------|-----|---------|
| 1 | 8H4-15100-00-00 | CRANKCASE ASSEMBLY | 1 | |
| 2 | 99530-10014-00 | . PIN, DOWEL | 2 | |
| 3 | J38-11116-00-00 | JOINT, BREATHER | 1 | |
| 4 | 98580-06545-00 | SCREW PAN HEAD (92503-06045) | 5 | |
| 5 | 98580-06055-00 | SCREW, pan head (92501-06065-00) | 1 | |
| 6 | 98580-06565-00 | SCREW, PAN HEAD (92501-06065) | 1 | |

REAR SHOCKS



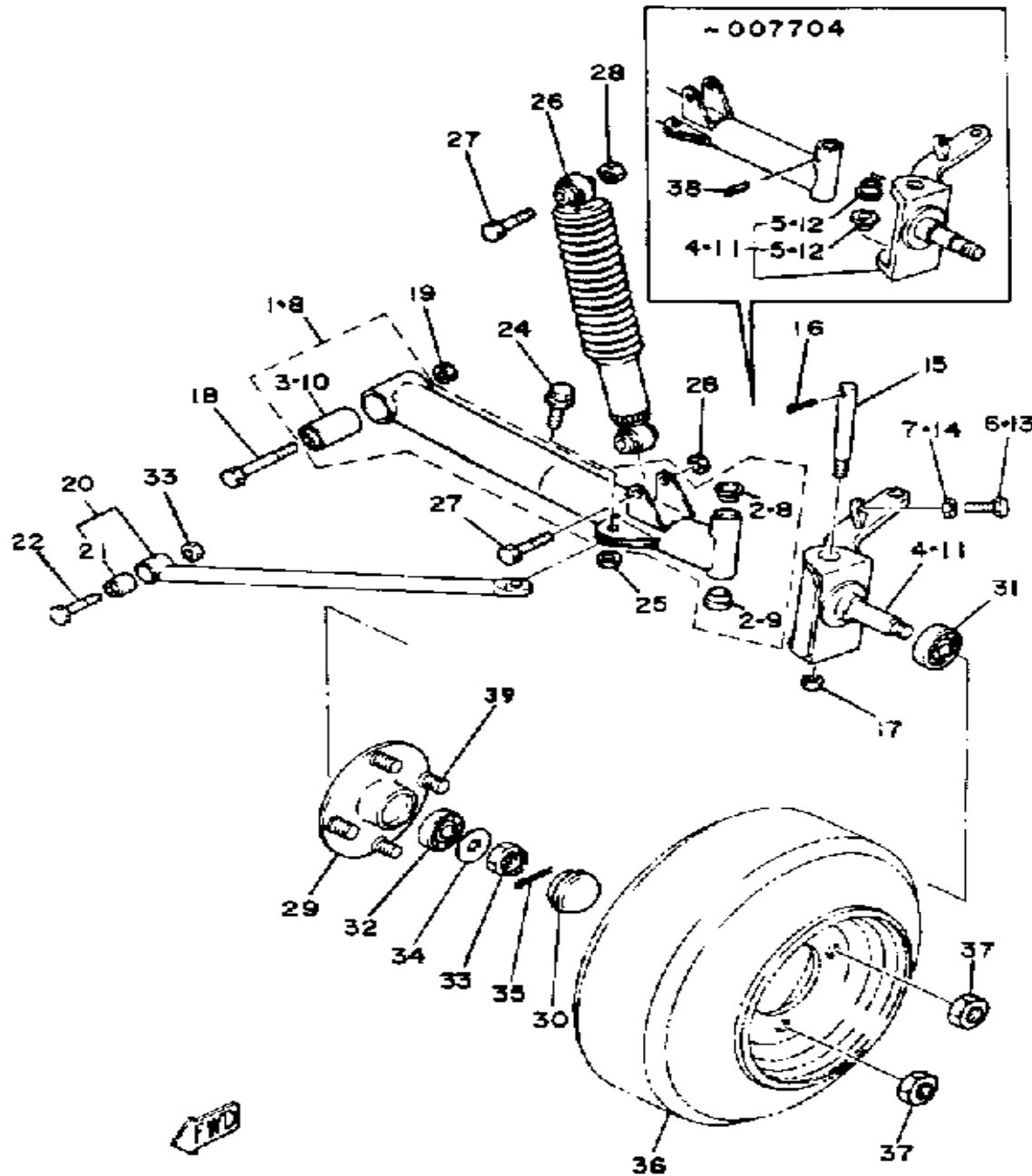
| Ref. No. | Part Number | Description | Qty | Remarks |
|----------|-------------------|-----------------------------------|-----|----------------------|
| 1 | ϕJ1-0W221-10-00 | UNAVAILABLE IN PRICE BOOK | 1 | |
| | ϕJ1-0W221-10-10 | UNAVAILABLE IN PRICE BOOK | 1 | 705~ |
| 2 | J10-22123-00-00 | BUSH 1 | 2 | |
| 3 | 90101-10419-00 | BOLT | 2 | SEE OPT. PARTS BELOW |
| 4 | 95612-10100-00 | NUT, BIND | 2 | SEE OPT. PARTS BELOW |
| 5 | J10-22210-00-00 | SHK/ABS ASSEMBLY, REARASS'Y, REAR | 2 | |
| 6 | 97313-10050-00 | BOLT, HEXAGON (676) | 4 | |
| 7 | 95601-10100-00 | NUT, U (95602-10100-00) | 4 | |
| 8 | (J10-21411-00-00) | BRACKET, ENGINE 1 | 1 | |
| | J10-21411-01-00 | BRACKET, ENGINE 1 0 1 | 1 | 705~ |
| 9 | 90106-10034-00 | BOLT, DOME HEAD | 4 | |
| 10 | 92990-10100-00 | WASHER, SPRING | 4 | |
| 11 | 92990-10600-00 | WASHER, PLATE | 4 | |
| 12 | J10-21486-00-00 | DAMPER 2 | 4 | |
| 13 | 92990-10100-00 | WASHER, SPRING | 8 | |
| 14 | 95303-10600-00 | NUT (95301-10600) | 8 | |
| 15 | ϕJ1-02219-X0-00 | UNAVAILABLE IN PRICE BOOK | 1 | 705~ |
| 16 | J10-77277-00-00 | DAMPER, NOISE 17 0 2 | 2 | 705~ |
| 17 | 90105-10050-00 | BOLT, WASHER BASED | 2 | |
| | 95611-10100-00 | NUT, U | 2 | |
| | J10-77278-00-00 | DAMPER, NOISE 18 0 2 | 2 | 705~ |

FRAME



| Ref. No. | Part Number | Description | Qty | Remarks |
|----------|-----------------|---------------------------|-----|---------|
| 1 | J10-22501-00-98 | FRAME | 1 | |
| | J10-22501-01-00 | FRAME 0 1 | 1 | 705~ |
| 2 | 90202-08111-00 | WASHER, PLATE | 5 | |
| 3 | J10-78249-00-00 | TRIM, FLOOR | 2 | |
| 4 | 90267-48086-00 | RIVET, BLIND | 6 | |
| 5 | J10-78187-00-00 | FLAP, FRONT FENDER | 2 | |
| 6 | 90267-40054-00 | RIVET, BLIND | 6 | |
| | 90267-40076-00 | RIVET, BLIND | 6 | |
| 7 | 90201-05034-00 | WASHER, PLATE | 6 | |
| 8 | J10-78182-00-00 | PLATE 2 (L.H.) | 1 | 305~ |
| 9 | J10-78181-00-00 | PLATE 1 (R.H.) | 2 | 305~ |
| 10 | ϕJ1-02418-20-00 | UNAVAILABLE IN PRICE BOOK | 2 | |

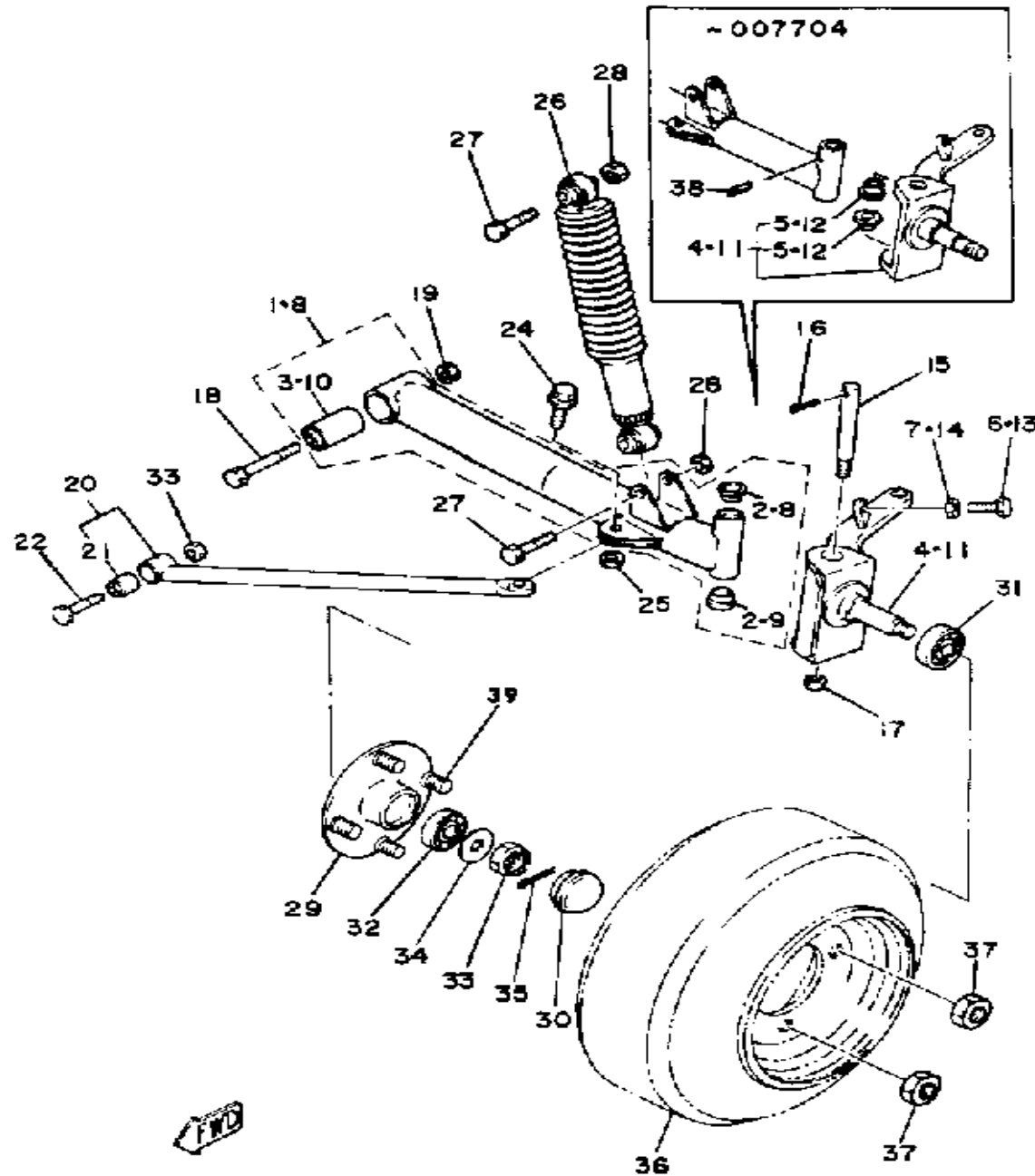
FRONT SUSPENSION-WHEEL



| Ref. No. | Part Number | Description | Qty | Remarks |
|----------|-----------------|---|-----|---------|
| 1 | J10-W2351-01-00 | FRONT LOWER ARM L (L.H) .. | 1 | 705~ |
| | J10-W2351-09-00 | FRONT LOWER ARM L (L.H) (J10-W2351-00) | 1 | |
| 2 | 90381-15032-00 | . BUSH, SOLID | 2 | 705~ |
| 3 | J10-23526-00-00 | . BUSH | 1 | |
| 4 | J10-23510-02-00 | KNUCKLE, STEERING 1 | 1 | 705~ |
| | J10-23510-09-00 | KNUCKLE, STEERING 1 (J10-23510-90) | 1 | |
| 5 | 90381-12031-00 | . BUSH, SOLID | 2 | |
| 6 | 97313-08030-00 | BOLT, HEXAGON | 2 | |
| 7 | 95303-08700-00 | NUT | 1 | |
| 8 | J10-W2352-01-00 | FRONT LOWER ARM R (R.H) . | 1 | 705~ |
| | J10-W2352-09-00 | FRONT LOWER ARM R (R.H) (J10-W2352.00) | 1 | |
| 9 | 90381-15032-00 | . BUSH, SOLID | 2 | 705~ |
| 10 | J10-23526-00-00 | . BUSH | 1 | |
| 11 | J10-23520-02-00 | KNUCKLE, STEERING 2 | 1 | 705~ |
| | J10-23520-09-00 | KNUCKLE, STEERING 2 (R.H) (J10-23520-90) | 1 | |
| 12 | 90381-12031-00 | . BUSH, SOLID | 2 | |
| 13 | 97313-08030-00 | BOLT, HEXAGON | 1 | |
| 14 | 95303-08700-00 | NUT | 1 | |
| 15 | J10-23516-00-00 | KING PIN, STRG KNKL | 2 | |
| | J10-23516-02-00 | KING PIN, STRG KNKL | 2 | 705~ |
| 16 | 91401-30030-00 | PIN, COTTER | 2 | 123~ |
| 17 | 95601-12100-00 | NUT, U | 2 | 705~ |
| | 95712-12300-00 | 2 | 2 | 123~ |
| 18 | 90101-10418-00 | BOLT | 2 | |
| 19 | 95612-10100-00 | NUT, BIND | 2 | |
| 20 | J10-W2355-00-00 | ROD, TENSION | 2 | |

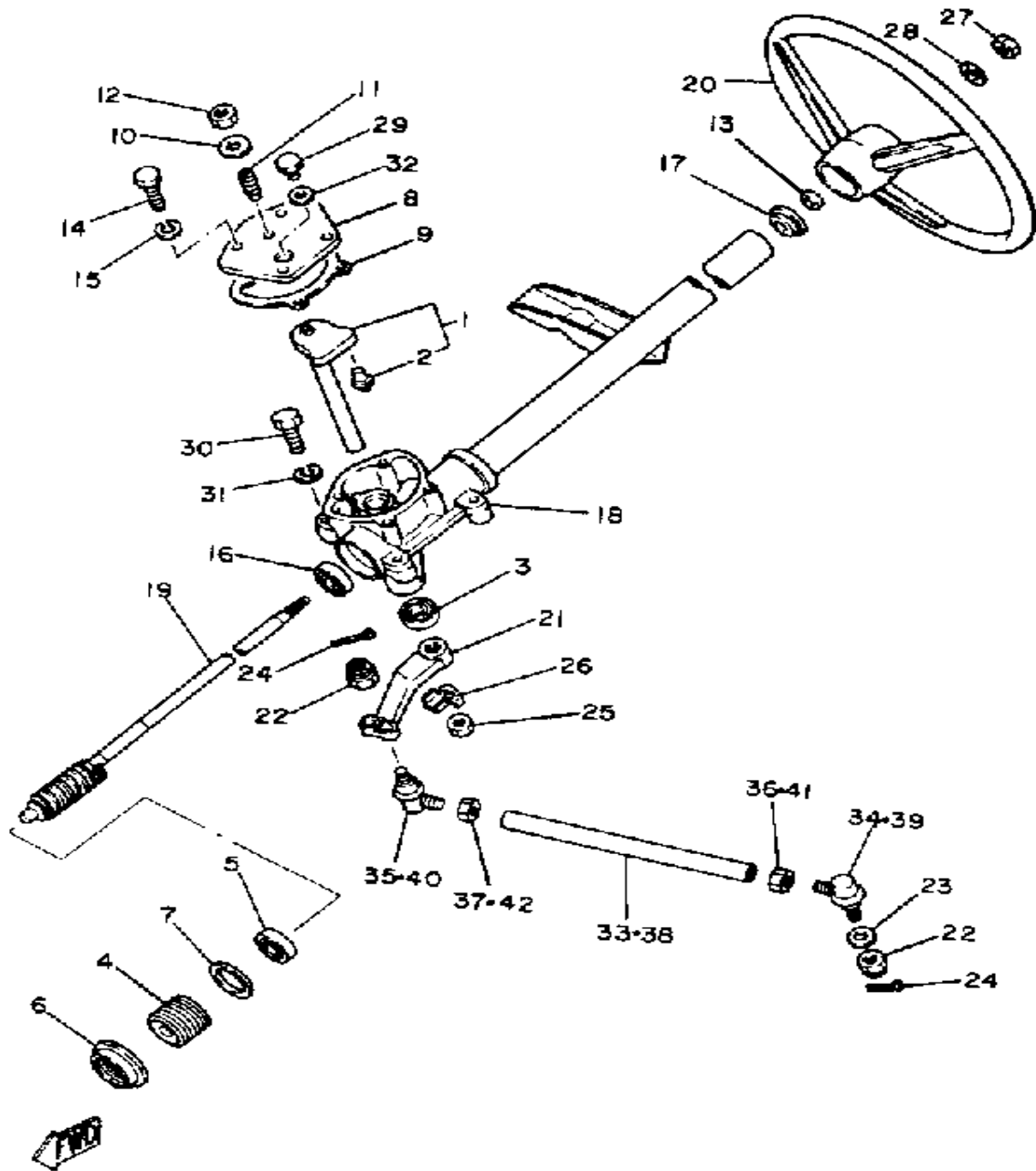
CONTINUED ON NEXT FRAME ►

FRONT SUSPENSION-WHEEL



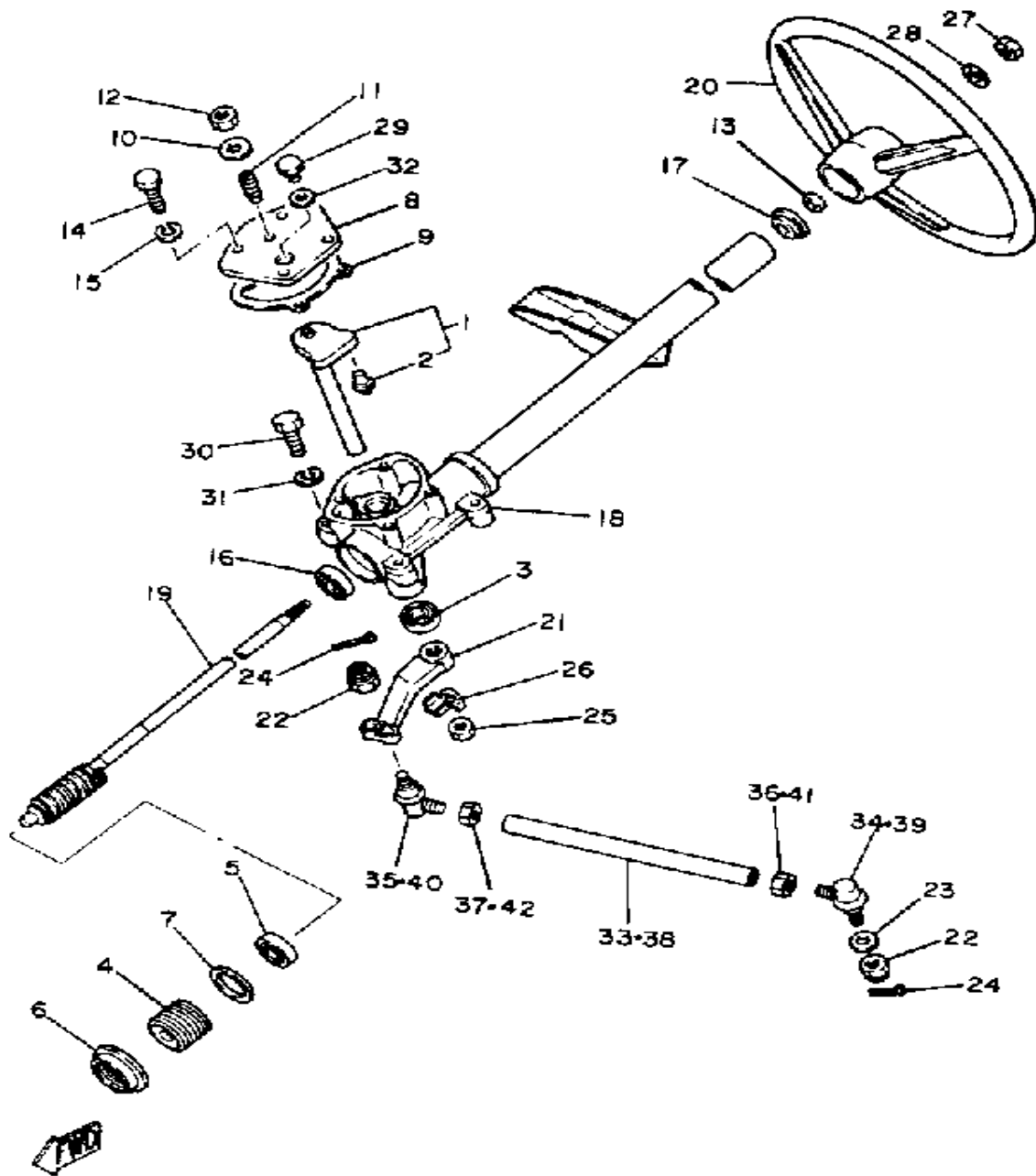
| Ref. No. | Part Number | Description | Qty | Remarks |
|----------|-----------------|--|-----|---------|
| 21 | J10-23583-01-00 | . BUSH | 1 | |
| 22 | 90101-08245-00 | BOLT | 2 | |
| | 90101-08497-00 | BOLT 0 2 | 2 | 044~ |
| 23 | 95611-08100-00 | NUT, U | 2 | |
| 24 | 90105-10007-00 | BOLT, WASHER BASED | 2 | |
| 25 | 95611-10100-00 | NUT, U | 2 | |
| | 95701-10300-00 | NUT, FLANGE (95702-10300) .. | 2 | 865~ |
| 26 | J42-23350-00-00 | SHOCK ABSORBER ASSEMBLY (J10-23350-00) ... | 2 | |
| 27 | 97313-10050-00 | BOLT, HEXAGON (676) | 4 | |
| 28 | 95601-10100-00 | NUT, U (95602-10100-00) | 4 | |
| 29 | J10-W2511-01-00 | HUB, FRONT | 2 | |
| 30 | J10-25118-00-00 | COVER, HUB DUST | 2 | |
| 31 | 93306-00441-00 | BEARING (89A) (B6004RS) ... | 2 | |
| 32 | 93306-20310-00 | BEARING | 2 | |
| 33 | 95301-14900-00 | NUT, SLOTTED | 2 | |
| 34 | 90201-142M6-00 | WASHER, PLATE | 2 | |
| 35 | 91401-30030-00 | PIN, COTTER | 2 | |
| 36 | *--- | FRONT WHEEL ASSEMBLY .. | 2 | LM |
| 37 | 90179-12262-00 | NUT | 8 | |
| 38 | 91609-60028-00 | PIN, SPRING | 2 | |
| 39 | 90114-12003-00 | BOLT, RIBBED NECK | 8 | |

STEERING



| Ref. No. | Part Number | Description | Qty | Remarks |
|----------|-----------------|--------------------------------------|-----|-------------|
| 1 | J10-23816-03-00 | ARM, PITTMAN (J10-23816-02) | 1 | |
| 2 | J10-23836-09-00 | . PIN, PITMAN | 2 | |
| 3 | 93102-22087-00 | OIL SEAL | 1 | |
| 4 | J55-F3876-00-00 | BOLT | 1 | |
| 5 | 93332-00010-00 | BEARING | 1 | |
| 6 | J10-23877-00-00 | NUT | 1 | |
| 7 | J10-23444-00-00 | WASHER | 1 | |
| 8 | J10-23818-00-00 | COVER, STEERING | 1 | |
| 9 | J10-23462-00-00 | SEAL, STEERING | 1 | |
| 10 | 90201-08087-00 | WASHER, PLATE | 1 | |
| 11 | J10-23459-00-00 | BOLT | 1 | |
| 12 | 90170-08024-00 | NUT, HEX. | 1 | |
| 13 | 93104-15005-00 | OIL SEAL, SO-TYPE | 1 | |
| 14 | 97313-08020-00 | BOLT, HEXAGON | 4 | |
| 15 | 92990-08100-00 | WASHER | 4 | |
| 16 | 93332-00010-00 | BEARING | 1 | |
| 17 | J10-23814-00-00 | HOLDER, HANDLE UPR | 1 | |
| 18 | 93102-22087-00 | OIL SEAL | 1 | |
| | 99999-01397-00 | COLUMN STEER COMP. (J10-23811-00-9E) | 1 | IVORY WHITE |
| | J10-23811-01-9E | COLUMN, STEERING | 1 | |
| 19 | J10-23840-00-00 | STEERING SHAFT | 1 | |
| 20 | J55-F3838-00-00 | WHEEL, STEERING (J10-23838-00) | 1 | |
| 21 | J10-23826-00-00 | ARM, IDLER | 1 | |
| 22 | 90171-12023-00 | NUT, CASTLE | 4 | |
| 23 | 90201-12588-00 | WASHER, PLATE | 2 | 705~ |
| 24 | 91401-30030-00 | PIN, COTTER | 4 | |
| 25 | 95601-16100-00 | NUT, U | 1 | |

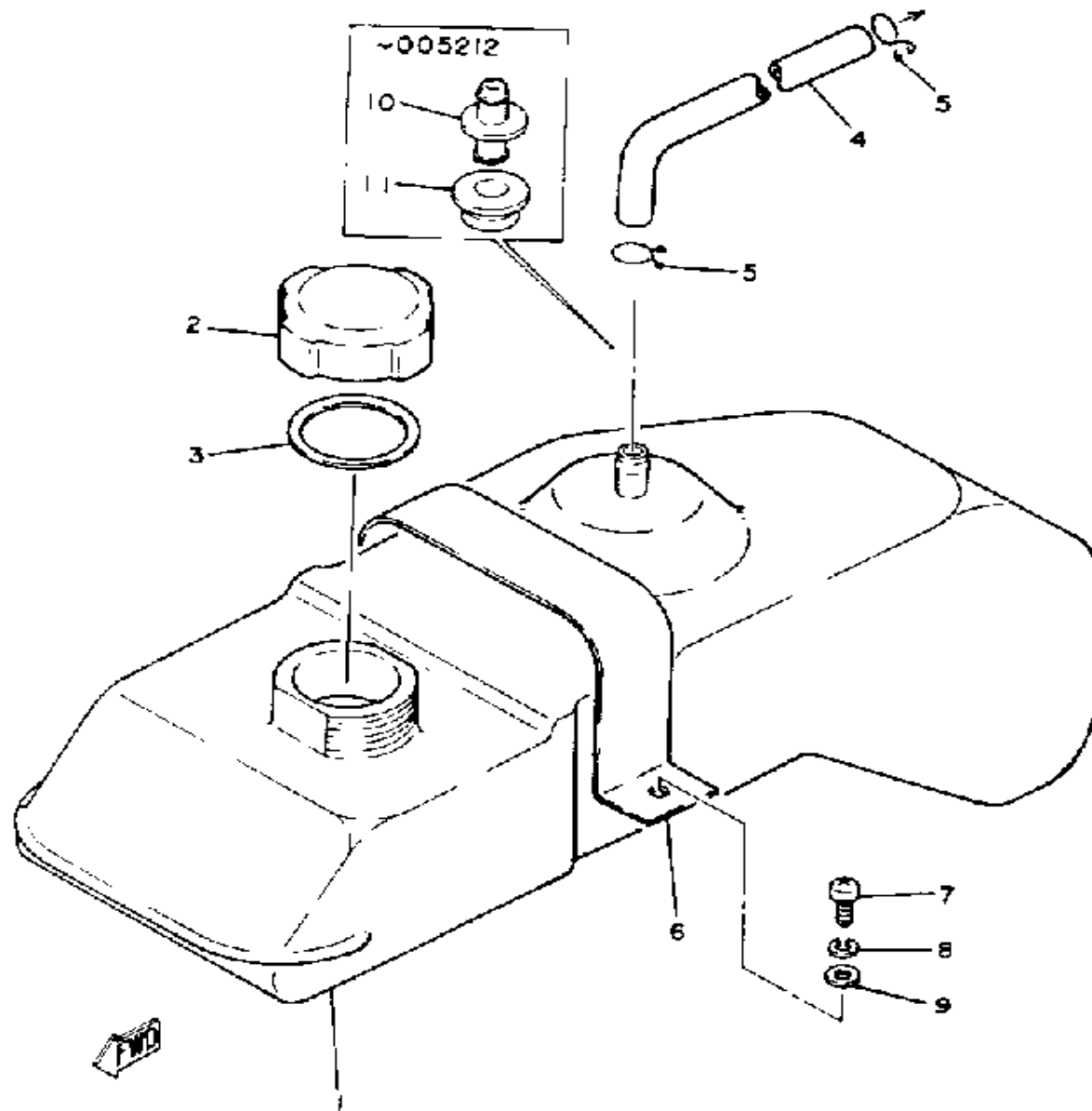
CONTINUED ON NEXT FRAME ►



STEERING

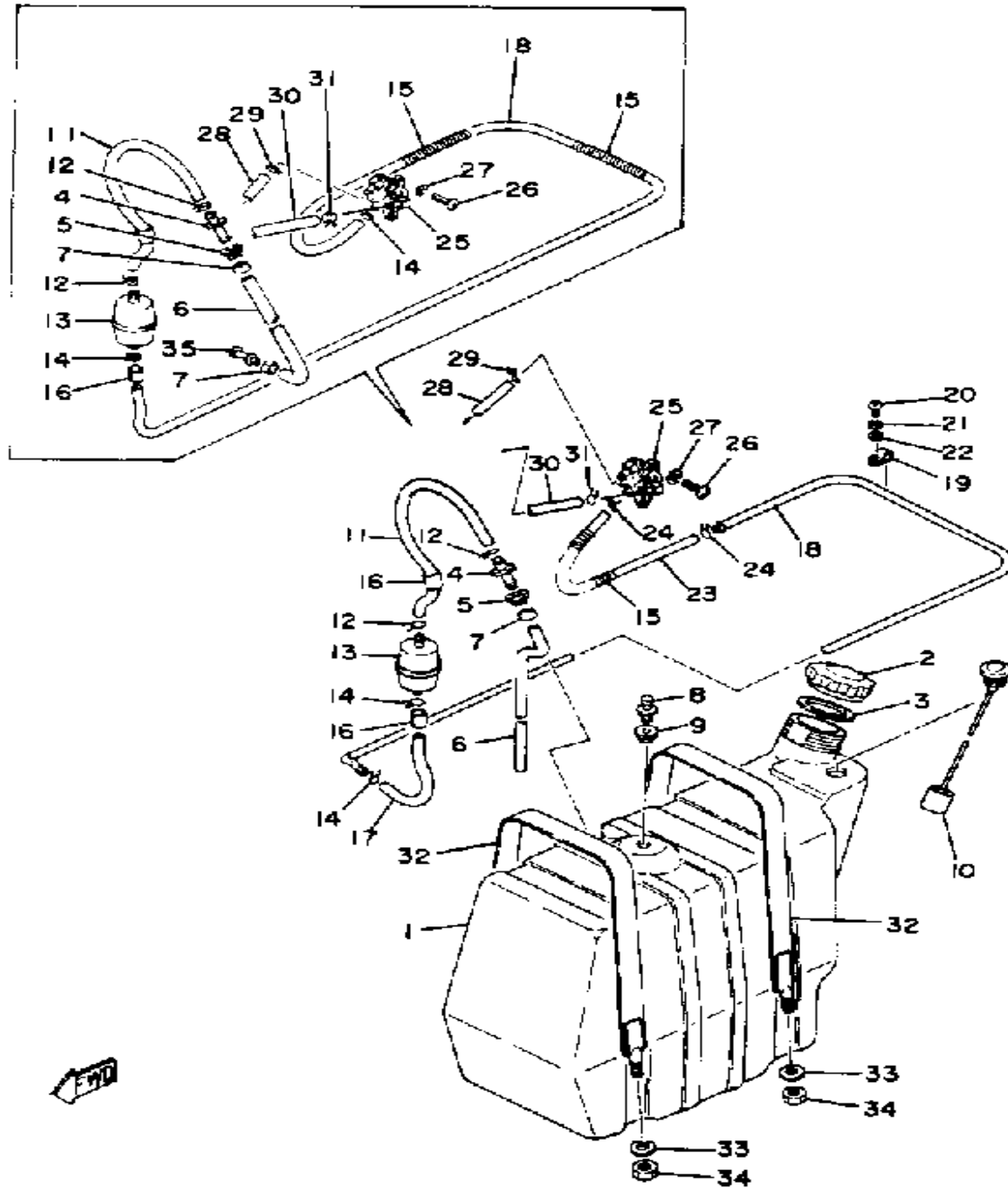
| Ref. No. | Part Number | Description | Qty | Remarks |
|----------|-----------------|------------------------|-----|---------|
| 25 | 95701-16300-00 | NUT, FLANGE | 1 | 705~ |
| 26 | 90215-16161-00 | WASHER, LOCK | 1 | 705~ |
| 27 | 95301-12700-00 | NUT (95302-12700) | 1 | |
| 28 | 92990-12200-00 | WASHER, PLAIN | 1 | |
| 29 | 90340-14029-00 | . PLUG, STRAIGHT SCREW | 1 | |
| 30 | 97313-10050-00 | BOLT, HEXAGON (676) | 4 | |
| 31 | 92990-10100-00 | WASHER, SPRING | 4 | |
| 32 | 90340-14118-00 | PLUG, STRAIGHT | 1 | |
| | 90430-14043-00 | GASKET | 1 | 305~ |
| 33 | J10-23831-00-00 | ROD, TIE | 1 | |
| 34 | J10-23841-10-00 | JOINT, UNIVERSAL 1 | 1 | |
| 35 | J10-23845-10-00 | JOINT, UNIVERSAL 2 | 1 | |
| 36 | 90170-12054-00 | NUT | 1 | |
| 37 | 90170-12055-00 | NUT | 1 | |
| 38 | J10-23831-00-00 | ROD, TIE | 1 | |
| 39 | J10-23841-10-00 | JOINT, UNIVERSAL 1 | 1 | |
| 40 | J10-23845-10-00 | JOINT, UNIVERSAL 2 | 1 | |
| 41 | 90170-12054-00 | NUT | 1 | |
| 42 | 90170-12055-00 | NUT | 1 | |

OIL TANK



| Ref. No. | Part Number | Description | Qty | Remarks |
|----------|-----------------|---------------------------|-----|---------|
| 1 | J17-21751-00-00 | TANK, OIL | 1 | |
| 2 | 863-21771-00-00 | BODY, CAP | 1 | |
| 3 | 90430-31003-00 | GASKET | 1 | |
| 4 | J10-21745-00-00 | PIPE, OIL TNK BRTHR | 1 | |
| 5 | 90467-11009-00 | CLIP | 2 | |
| 6 | J10-21776-00-00 | BAND, TANK FITTING | 1 | |
| 7 | 98580-06012-00 | SCREW, PAN HEAD | 1 | |
| 8 | 92995-06100-00 | WASHER, SPRING | 1 | |
| 9 | 92901-06600-00 | WASHER | 1 | |
| 10 | J10-21753-00-00 | BOSS, CONNECTOR | 1 | |
| 11 | J10-21773-00-00 | GROMMET | 1 | |

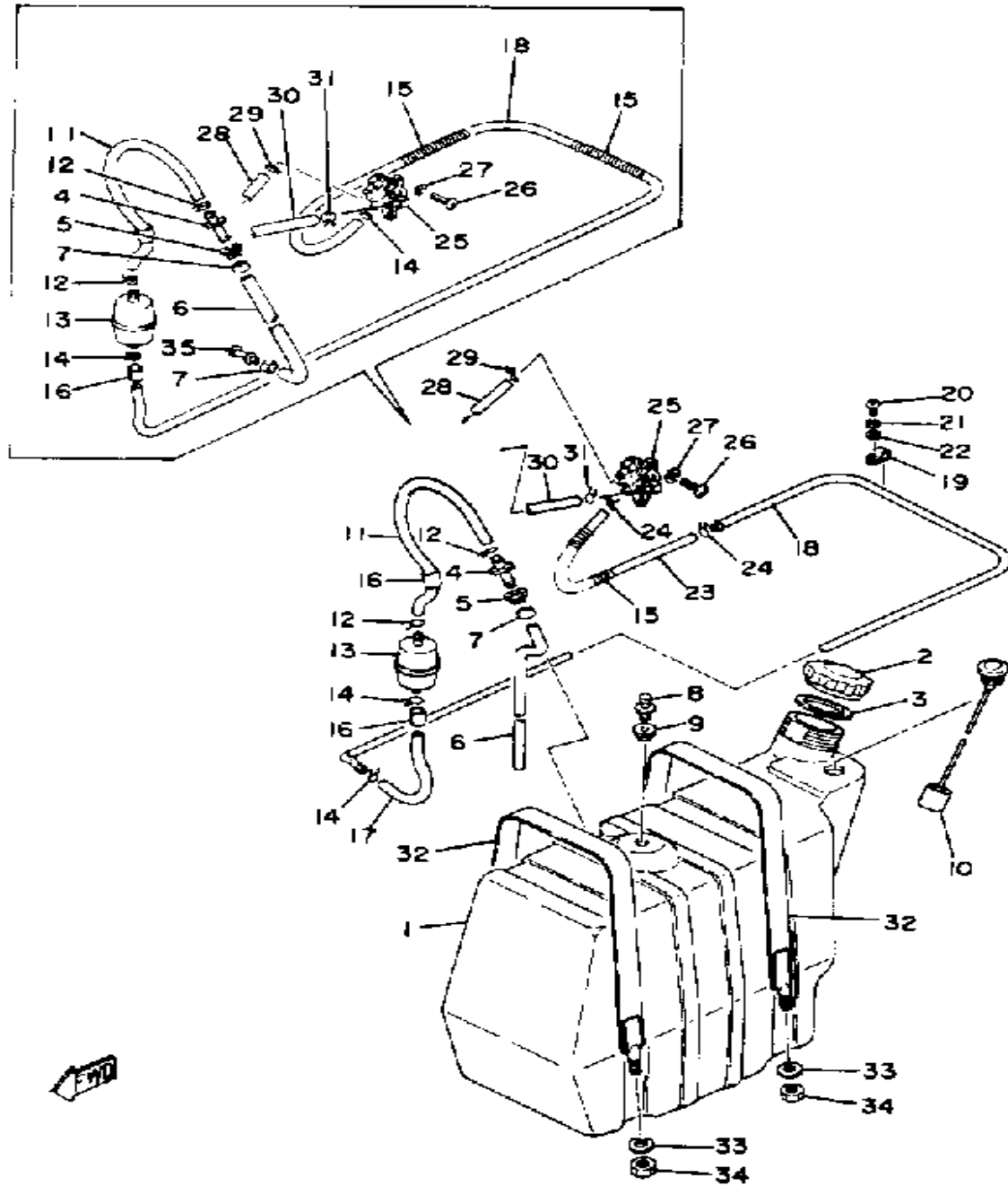
FUEL TANK



| Ref. No. | Part Number | Description | Qty | Remarks |
|----------|-----------------|--|-----|---------|
| 1 | 99999-01226-00 | TANK FUEL (J10) | 1 | |
| | J17-24111-00-00 | FUEL TANK | 1 | |
| | J24-24620-01-00 | BODY CAP ASSEMBLY | 1 | |
| 2 | J10-24611-00-00 | BODY, CAP | 1 | |
| 3 | J10-24612-00-00 | GASKET, CAP | 1 | |
| 4 | J10-24461-00-00 | PIPE, JOINT | 1 | |
| 5 | J10-21773-00-00 | GROMMET | 1 | |
| 6 | J10-24311-00-00 | PIPE, FUEL 1 | 1 | |
| 7 | 90468-04092-00 | CLIP | 1 | 299~ |
| | 90468-04092-00 | CLIP | 2 | |
| 8 | J10-21744-00-00 | BREATHER | 1 | |
| 9 | J10-21773-00-00 | GROMMET | 1 | |
| 10 | J17-85710-01-00 | FUEL LVL GAUGE ASSEMBLY ASS'Y (J17-85710-00) | 1 | |
| 11 | 90445-11182-00 | HOSE | 1 | |
| 12 | 90467-11009-00 | CLIP | 2 | |
| 13 | 809-24560-01-00 | FILTER ASSEMBLY | 1 | |
| 14 | 90467-11009-00 | CLIP | 2 | 705~ |
| | 90467-11009-00 | CLIP | 2 | |
| 15 | 90501-08486-00 | SPRING, COMPRESSION | 1 | 705~ |
| | 90501-08486-00 | SPRING, COMPRESSION | 2 | |
| 16 | J10-24366-00-00 | CLAMP, FUEL PIPE 1 | 2 | |
| 17 | 90445-11288-00 | HOSE | 1 | 705~ |
| 18 | 90445-11394-00 | HOSE | 1 | |
| | J10-24313-00-00 | PIPE 3 | 1 | 705~ |
| 19 | 90461-04011-00 | CLAMP | 3 | 705~ |
| 20 | 98580-05012-00 | SCREW, PAN HEAD | 3 | 705~ |
| 21 | 92990-05100-00 | WASHER, SPRING | 3 | 705~ |

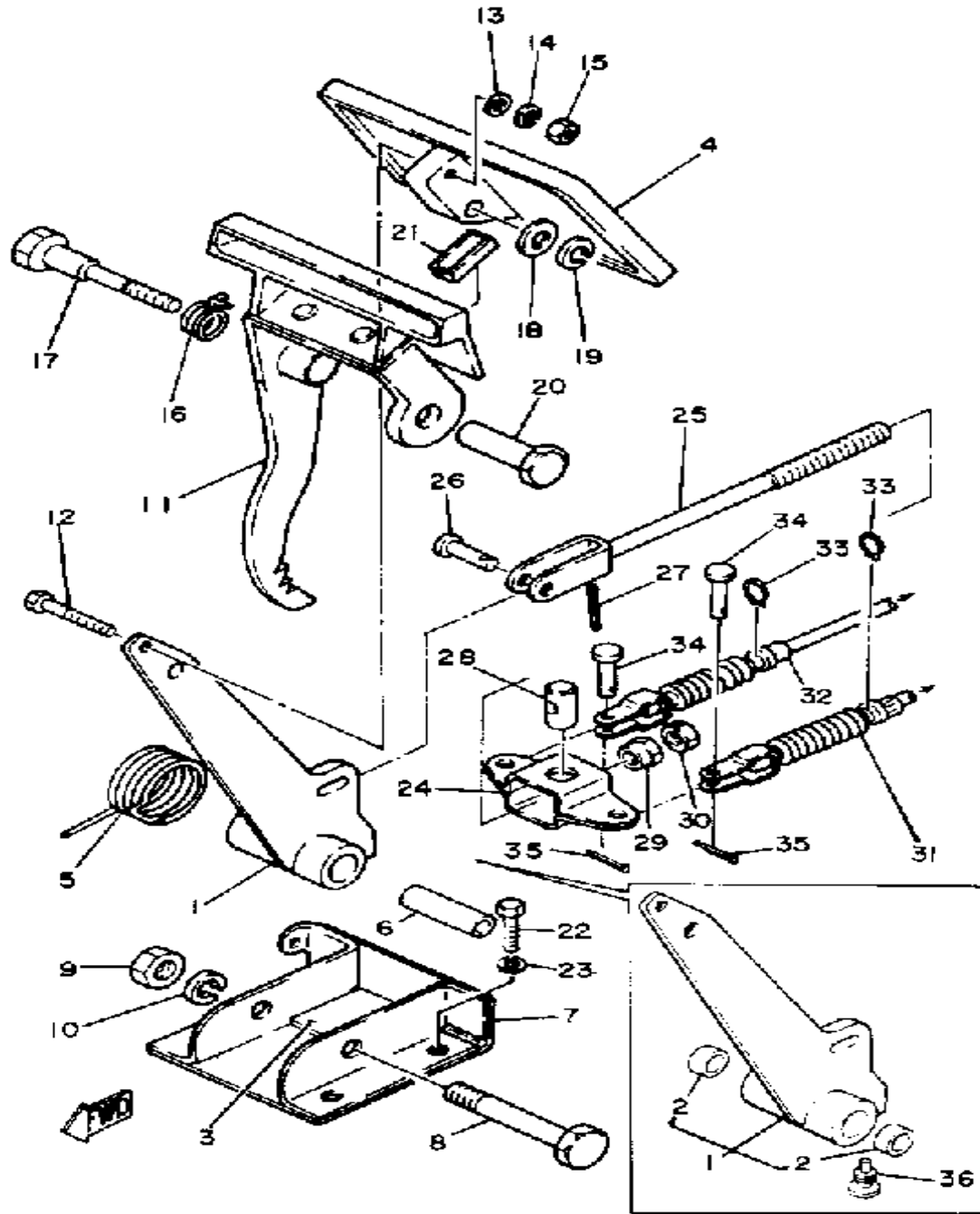
CONTINUED ON NEXT FRAME ►

FUEL TANK



| Ref. No. | Part Number | Description | Qty | Remarks |
|----------|-----------------|---------------------------|-----|---------------|
| 22 | 92901-05600-00 | WASHER, PLATE | 3 | 705~ |
| 23 | 90445-11491-00 | HOSE | 1 | 705~ |
| 24 | 90467-11009-00 | CLIP | 2 | 705~ |
| 25 | J10-24410-00-00 | FUEL PUMP ASSEMBLY | 1 | |
| | J10-24410-02-00 | FUEL PUMP ASSEMBLY | 1 | 392~ SEE NOTE |
| 26 | 98580-06018-00 | SCREW, PAN HEAD | 2 | |
| 27 | 92995-06100-00 | WASHER, SPRING | 2 | |
| 28 | 90445-09069-00 | HOSE | 1 | |
| 29 | 90467-08017-00 | CLIP | 2 | |
| 30 | 90445-10449-00 | HOSE | 1 | |
| 31 | 90467-09006-00 | CLIP | 2 | |
| 32 | J17-24173-00-00 | BAND, TNK FITTING 1 | 2 | |
| 33 | 90201-08107-00 | WASHER, PLATE | 2 | |
| 34 | 95611-08100-00 | NUT, U | 2 | |
| 35 | 663-24251-00-00 | STRAINER 1 | 1 | |

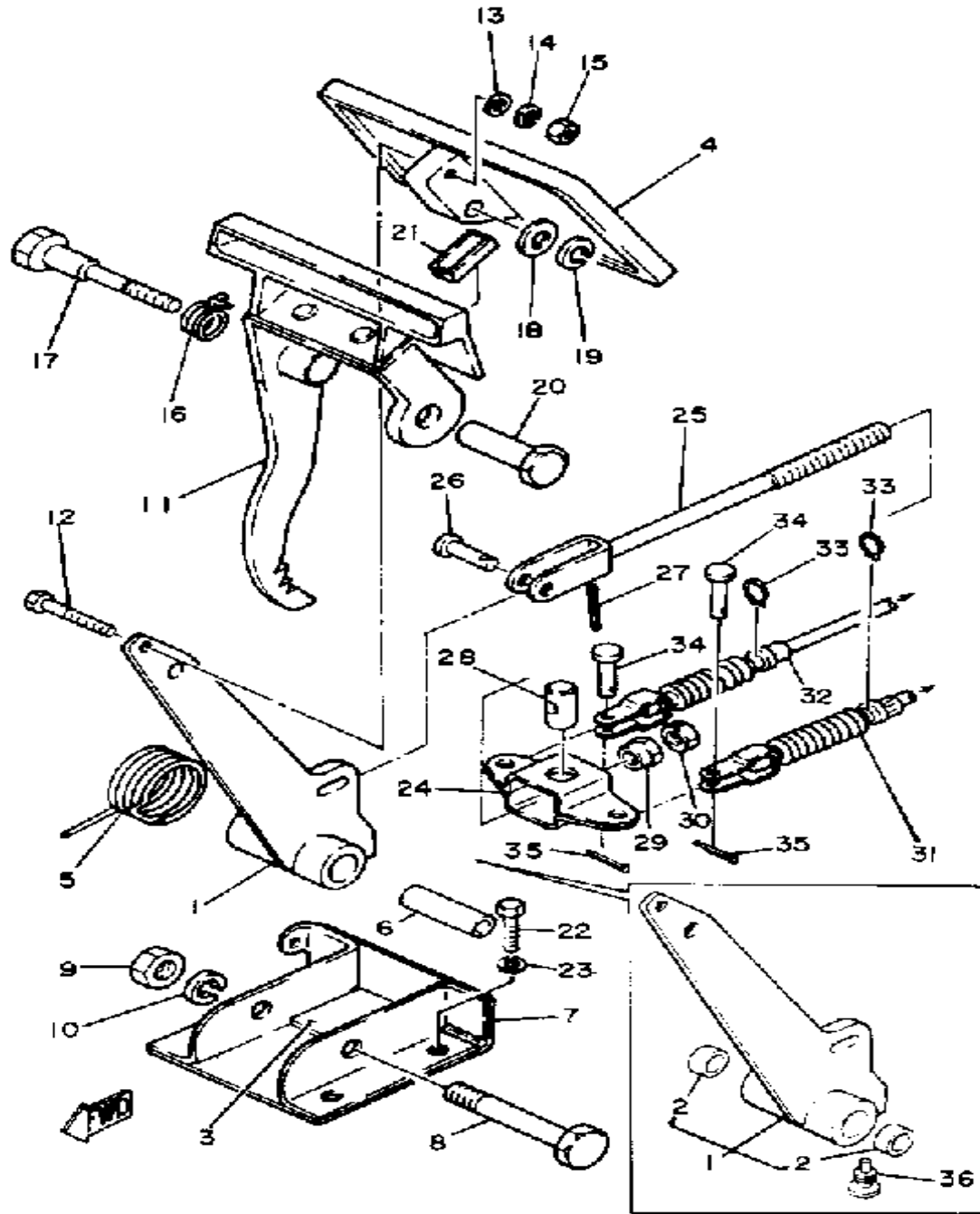
BRAKE



| Ref. No. | Part Number | Description | Qty | Remarks |
|----------|-----------------|-----------------------------------|-----|---------|
| 1 | J10-27250-00-00 | BRAKE ARM CMPLT (J10-27250-01) | 1 | |
| 2 | 90384-12078-00 | . BUSH, BIMETAL FORM | 2 | |
| 3 | J10-27245-00-00 | PAD, BRAKE PEDAL | 1 | 705~ |
| 4 | J10-27211-00-00 | PEDAL, BRAKE | 1 | |
| 5 | 90508-40384-00 | SPRING, TORSION | 1 | |
| 6 | 90387-10684-00 | COLLAR | 1 | |
| 7 | J10-25654-00-00 | BRACKET, PEDAL | 1 | |
| 8 | 90101-10447-00 | BOLT, HEX. | 1 | |
| 9 | 95601-10100-00 | NUT, U (95602-10100-00) | 1 | |
| 10 | 92990-10100-00 | WASHER, SPRING | 1 | |
| 11 | J10-25670-01-00 | PARKING PEDAL CMPL (J10-25670-00) | 1 | |
| 12 | 97021-06030-00 | BOLT | 1 | |
| 13 | 92990-06200-00 | WASHER | 1 | |
| 14 | 92995-06100-00 | WASHER, SPRING | 1 | |
| 15 | 95380-06600-00 | NUT | 1 | |
| 16 | 90508-23497-00 | SPRING, TORSION (90508-20383) | 1 | |
| 17 | 90109-08506-00 | BOLT | 1 | |
| 18 | 92990-08200-00 | WASHER, PLAIN | 1 | |
| 19 | 92990-08100-00 | WASHER | 1 | |
| 20 | 90179-08378-00 | NUT | 1 | |
| 21 | J10-25679-00-00 | DAMPER | 1 | |
| 22 | 97313-06016-00 | BOLT, HEXAGON | 4 | |
| 23 | 92995-06100-00 | WASHER, SPRING | 4 | |
| 24 | J10-25681-00-00 | EQUALIZER, BRAKE | 1 | |
| 25 | J10-25685-00-00 | ROD | 1 | |
| 26 | 91701-10022-00 | PIN | 1 | |
| 27 | 91490-30020-00 | PIN, COTTER | 1 | |

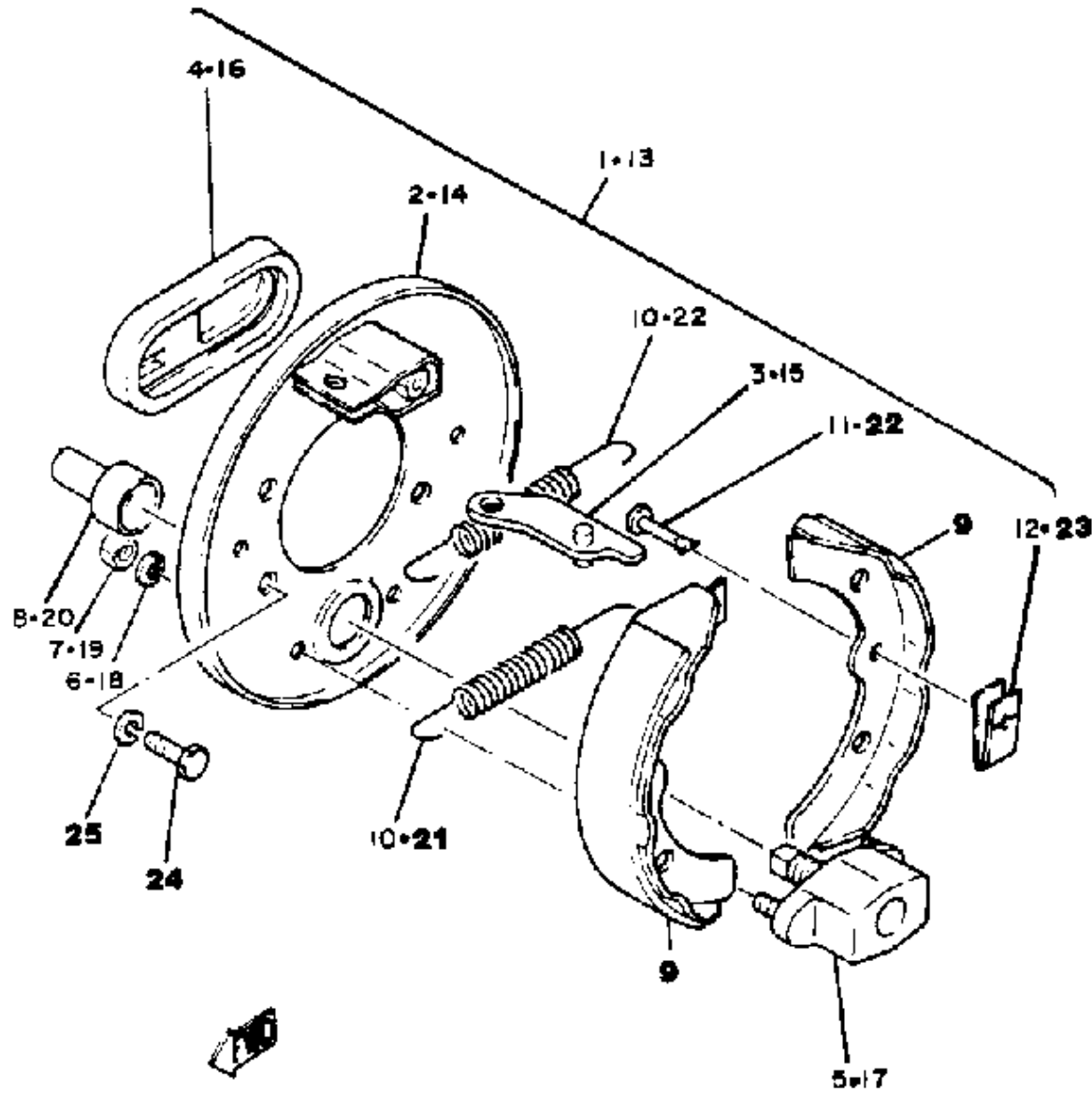
CONTINUED ON NEXT FRAME ►

BRAKE



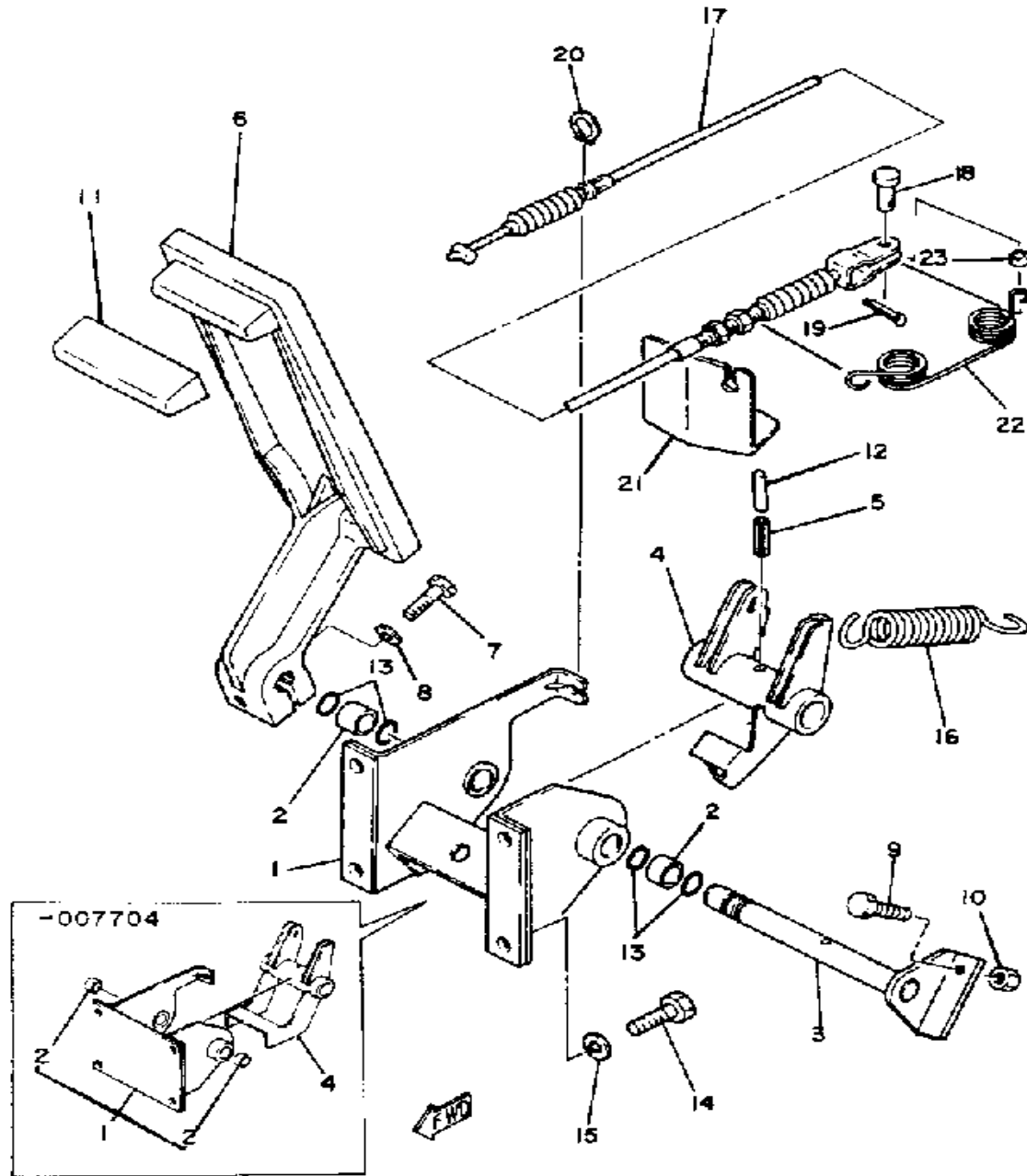
| Ref. No. | Part Number | Description | Qty | Remarks |
|----------|-----------------|---------------------------|-----|---------|
| 28 | 90249-14129-00 | PIN | 1 | |
| 29 | 90179-08261-00 | NUT | 1 | |
| 30 | 95303-08700-00 | NUT | 1 | |
| 31 | J56-F6341-01-00 | UNAVAILABLE IN PRICE BOOK | 1 | |
| 32 | J10-26351-01-00 | CABLE, BRAKE | 1 | |
| 33 | 99001-09600-00 | CIRCLIP | 4 | |
| 34 | 91701-08018-00 | PIN | 4 | |
| 35 | 91490-25020-00 | PIN, COTTER | 4 | |
| 36 | 90480-05201-00 | GROMMET | 1 | |

BRAKE 2



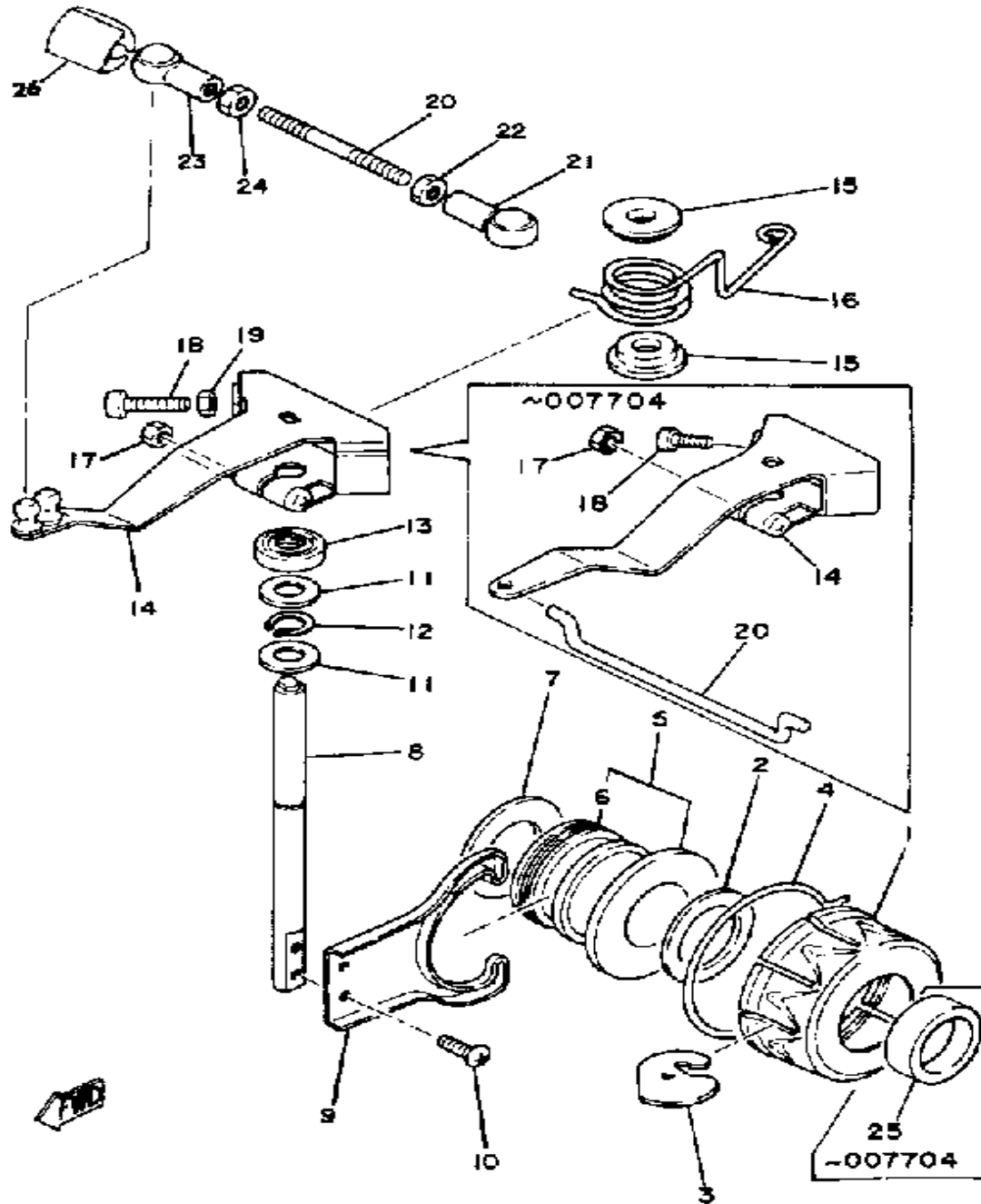
| Ref. No. | Part Number | Description | Qty | Remarks |
|----------|-----------------|-----------------------------|-----|---------|
| 1 | J17-27280-01-00 | BACKING PLT ASSEMBLY 1 .. | 1 | |
| 2 | J10-27208-01-00 | . BCKG PLT SUB ASSEMBLY 1 | 1 | 035~ |
| 3 | J10-27207-00-00 | . BRAKE LEVER | 1 | |
| 4 | J10-27286-00-00 | . COVER, DUST | 1 | |
| 5 | J10-27270-00-00 | . ADJUSTER ASSEMBLY | 1 | |
| 6 | 92995-06100-00 | . WASHER, SPRING | 2 | |
| 7 | 95380-06600-00 | . NUT | 2 | |
| 8 | J10-27285-00-00 | . CAP | 1 | |
| 9 | J10-W2536-00-00 | . BRAKE SHOE SET | 2 | |
| 10 | 90506-26191-00 | . SPRING, TENSION | 2 | |
| 11 | J10-27282-00-00 | . PIN, SHOE HOLD DOWN | 2 | |
| 12 | J10-27281-00-00 | . SPRING, SHOE CLAMP | 2 | |
| 13 | J17-27290-01-00 | BACKING PLT ASSEMBLY 2 .. | 1 | |
| 14 | J10-27209-01-00 | . BCKG PLT SUB ASSEMBLY 2 | 1 | |
| 15 | J10-27207-00-00 | . BRAKE LEVER | 1 | |
| 16 | J10-27286-00-00 | . COVER, DUST | 1 | |
| 17 | J10-27270-00-00 | . ADJUSTER ASSEMBLY | 1 | |
| 18 | 92995-06100-00 | . WASHER, SPRING | 2 | |
| 19 | 95380-06600-00 | . NUT | 2 | |
| 20 | J10-27285-00-00 | . CAP | 1 | |
| 21 | 90506-26191-00 | . SPRING, TENSION | 2 | |
| 22 | J10-27282-00-00 | . PIN, SHOE HOLD DOWN | 2 | |
| 23 | J10-27281-00-00 | . SPRING, SHOE CLAMP | 2 | |
| 24 | 97313-08016-00 | BOLT, HEXAGON | 8 | |
| 25 | 92990-08100-00 | WASHER | 8 | |

ACCELERATOR



| Ref. No. | Part Number | Description | Qty | Remarks |
|----------|-----------------|-----------------------------------|-----|---------|
| 1 | J10-27870-00-00 | BRKT, ACCLTR PEDALBRACKET COMP | 1 | |
| | J10-27874-01-00 | BRKT, ACCLTR PEDAL | 1 | 705~ |
| 2 | 90384-14079-00 | . BUSH, BIMETAL FORM | 2 | |
| | 90384-14080-00 | BUSH, BIMETAL | 2 | 705~ |
| 3 | J10-27853-02-00 | SHAFT, PEDAL 1 | 1 | |
| 4 | J10-27872-00-00 | ARM, ACCLTR PEDAL | 1 | |
| | J17-27872-00-00 | ARM, ACCLTR PEDAL | 1 | 705~ |
| 5 | 91609-60025-00 | PIN, SPRING | 1 | |
| 6 | JF3-27871-00-00 | PEDAL, ACCELERATOR | 1 | |
| 7 | 97011-06025-00 | BOLT (97001-06025) | 1 | |
| 8 | 92995-06100-00 | WASHER, SPRING | 1 | |
| 9 | 90106-06042-00 | BOLT, DOME HEAD (90101-06422) | 1 | |
| 10 | 95380-06700-00 | NUT | 1 | |
| 11 | J10-27852-00-00 | CUP 1 | 1 | |
| 12 | 91609-35028-00 | PIN, SPRING | 1 | |
| 13 | 93210-14104-00 | O-RING | 4 | 705~ |
| 14 | 97301-06014-00 | BOLT, HEXAGON | 4 | |
| 15 | 92995-06100-00 | WASHER, SPRING | 4 | |
| 16 | 90506-29187-00 | SPRING, TENSION | 1 | |
| 17 | J17-26311-00-00 | CABLE, THROTTLE 1 | 1 | |
| 18 | 91701-05010-00 | PIN, CYLINDER. HEAD | 1 | |
| | 91702-05012-00 | PIN | 1 | 766~ |
| 19 | 91490-16020-00 | . PIN, COTTER | 1 | |
| 20 | 99080-07600-00 | CIRCLIP (E) | 1 | |
| 21 | J10-27981-00-00 | BRACKET, THROTTLE | 1 | |
| 22 | 90508-16460-00 | SPRING, TORSION | 1 | 766~ |
| 23 | 90560-05001-00 | SPACER | 1 | 766~ |

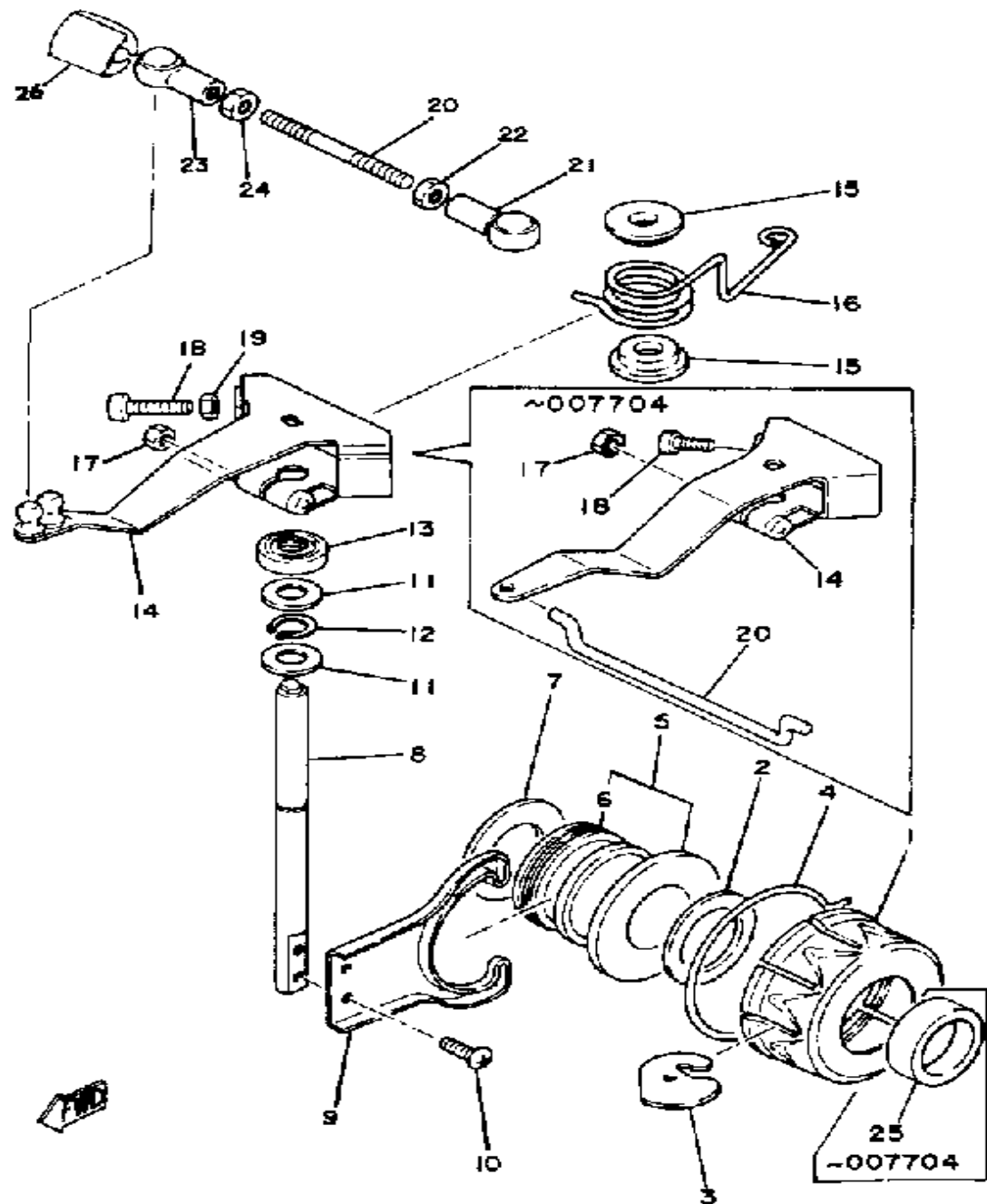
GOVERNOR



| Ref. No. | Part Number | Description | Qty | Remarks |
|----------|-----------------|---------------------|-----|---------|
| 1 | J10-27912-00-00 | RETAINER | 1 | |
| 2 | 90387-21690-00 | COLLAR | 1 | |
| 3 | J10-27913-00-00 | WEIGHT | 8 | |
| 4 | J10-27911-00-00 | HOLDER | 1 | |
| 5 | J10-27927-00-00 | LIFTER | 1 | |
| 6 | 93342-22502-00 | BEARING, THRUST | 1 | |
| 7 | 90201-20275-00 | WASHER, PLATE | 1 | |
| 8 | J10-27921-00-00 | SHAFT, GOVERNOR | 1 | |
| | J10-27921-01-00 | SHAFT, GOVERNOR | 1 | 705~ |
| 9 | J10-27922-00-00 | FORK, GOVERNOR | 1 | |
| 10 | 98580-04008-00 | SCREW, PAN HEAD | 2 | |
| 11 | 90202-08110-00 | WASHER, PLATE | 2 | |
| 12 | 99009-06600-00 | CIRCLIP | 1 | |
| 13 | 93109-08050-00 | OIL SEAL | 1 | |
| 14 | J10-27951-00-00 | LEVER, SPEED LMTR | 1 | |
| | J10-27951-01-00 | LEVER, SPEED LMTR | 1 | 705~ |
| 15 | 90385-08034-00 | BUSH, SPEC'L RUBBER | 2 | |
| 16 | 90508-35397-00 | SPRING, TORSION | 1 | |
| | 90508-40398-00 | SPRING, TORSION | 1 | |
| 17 | 95380-06600-00 | NUT | 1 | |
| 18 | J10-27959-00-00 | SCREW, ADJUSTING | 1 | |
| 19 | 95311-05700-00 | NUT | 1 | 891~ |
| 20 | J10-14836-00-00 | ROD | 1 | 705~ |
| | J10-27979-00-00 | ROD, THROTTLE | 1 | |
| 21 | J10-14833-00-00 | JOINT 0 1 | 1 | 705~ |
| 22 | 95311-05700-00 | NUT | 1 | 705~ |
| 23 | J10-14864-00-00 | JOINT 0 1 | 1 | 705~ |
| 24 | 90170-05190-00 | NUT, HEXAGON | 1 | 705~ |
| 25 | 90387-24691-00 | COLLAR | 1 | |

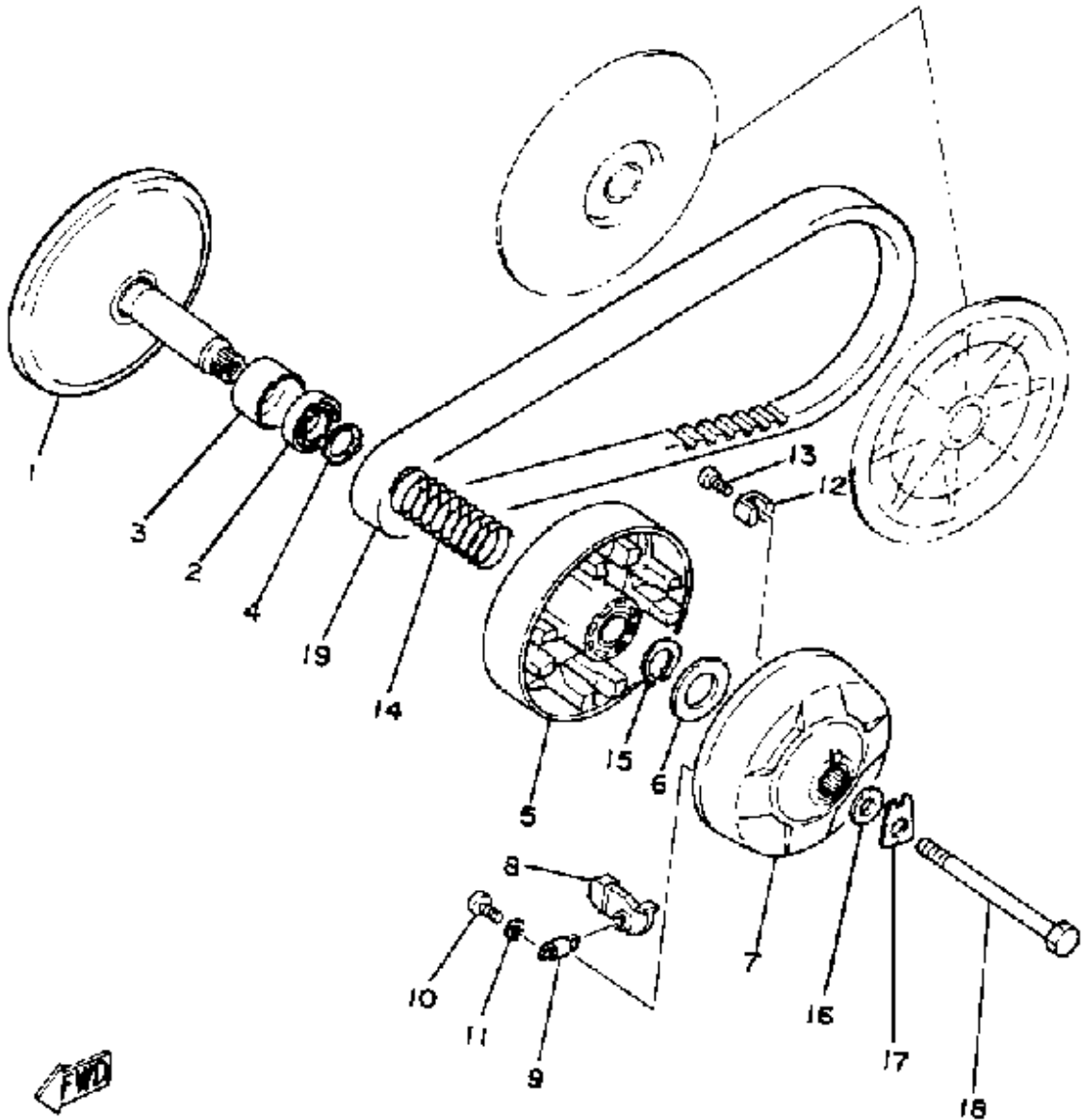
CONTINUED ON NEXT FRAME ➤

GOVERNOR



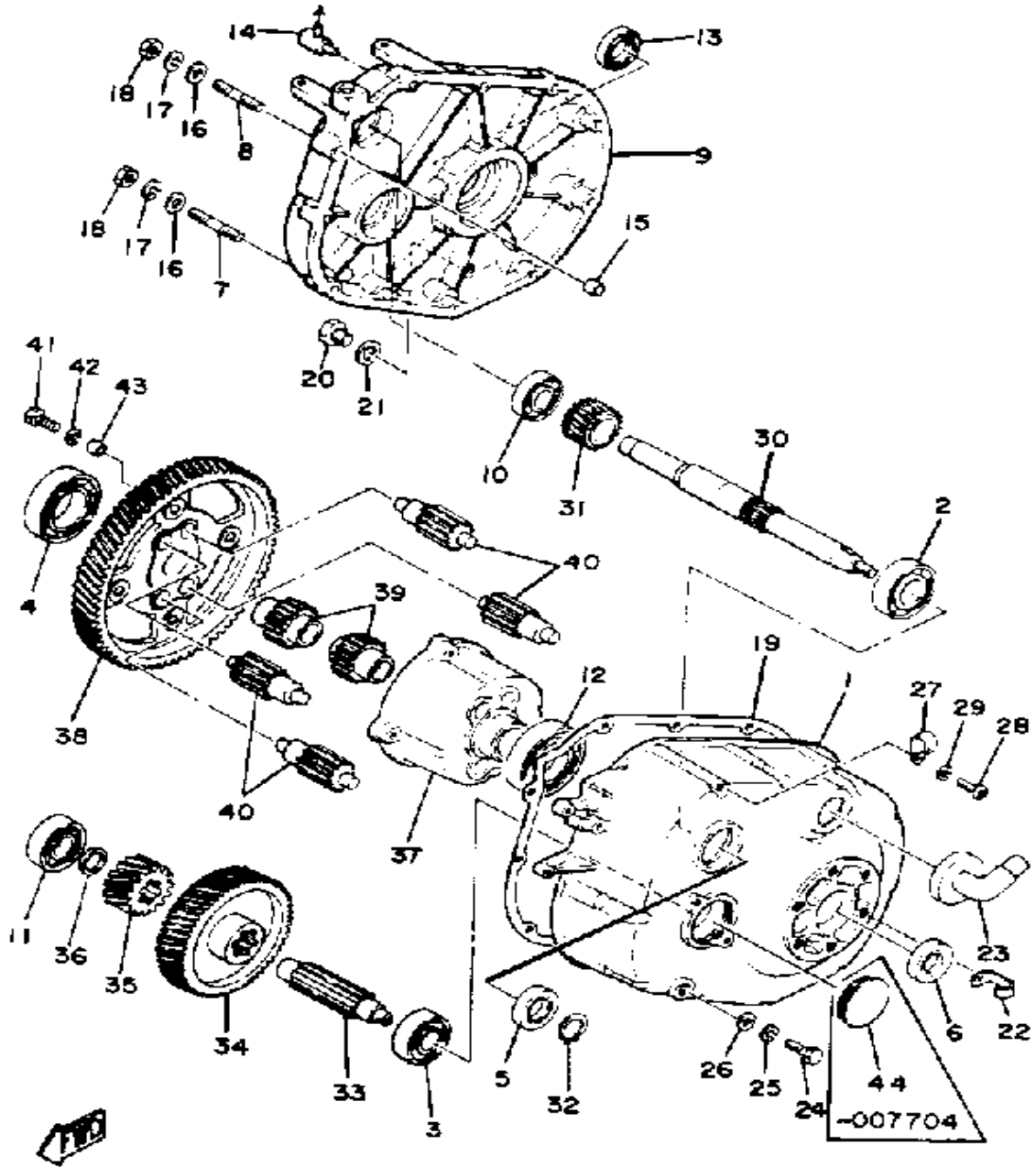
| Ref. No. | Part Number | Description | Qty | Remarks |
|----------|----------------|-------------|-----|---------|
| 26 | 90468-05112-00 | CLIP | 2 | |

PRIMARY SHEAVE



| Ref. No. | Part Number | Description | Qty | Remarks |
|----------|-----------------|---------------------------------------|-----|---------|
| 1 | J10-46210-00-00 | PRI FIXED SHEAVESHEAVE COMP | 1 | |
| 2 | 93306-90601-00 | BEARING | 1 | |
| 3 | 90387-47686-00 | COLLAR | 1 | |
| 4 | J10-46244-00-00 | SEAT, SPRING | 1 | |
| 5 | 93210-27458-00 | . O-RING | 2 | |
| | 99999-01412-00 | PRIM.SLIDE SHEAVECOMP ... | 1 | |
| | J10-46220-01-00 | . PRI SLDG SHV CMLPTSHEAVE COMP | 1 | |
| 6 | J10-46223-00-00 | CAM | 1 | |
| 7 | 90202-10129-00 | . WASHER, PLATE | 8 | |
| | 99999-01982-00 | PRI SHEAVE CAP (J10-46230-00) | 1 | |
| | J17-46230-00-00 | . PRI SHEAVE CAPCAP COMP | 1 | |
| 8 | J10-46232-00-00 | WEIGHT 1 | 4 | |
| 9 | J10-46236-00-00 | PIN, WEIGHT | 4 | |
| 10 | 98580-05020-00 | SCREW, PAN HEAD | 8 | |
| 11 | 92990-05100-00 | WASHER, SPRING | 8 | |
| 12 | J10-46253-01-00 | SLIDER | 4 | |
| 13 | 90149-05129-00 | SCREW, SPEC"L SHAPE | 4 | |
| 14 | 90501-32557-00 | SPRING, COMPRESSION | 1 | |
| 15 | 99009-28400-00 | CIRCLIP | 1 | |
| 16 | 90560-12180-00 | SPACER | 1 | |
| 17 | 90215-13146-00 | WASHER, LOCK | 1 | |
| 18 | J10-46249-00-00 | BOLT | 1 | |
| 19 | J17-46241-00-00 | BELT | 1 | |

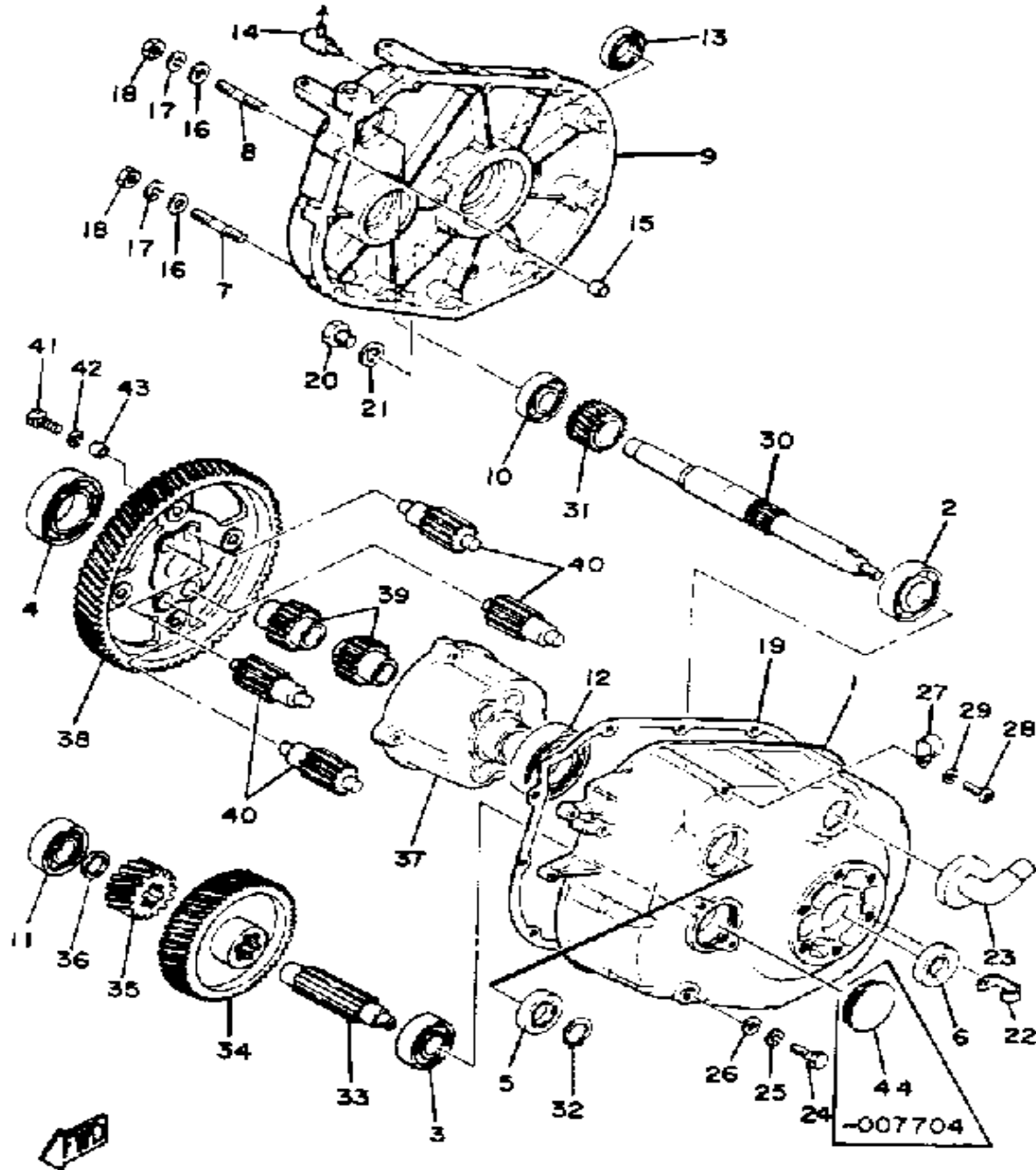
TRANSMISSION



| Ref. No. | Part Number | Description | Qty | Remarks |
|----------|-----------------|--------------------------|-----|---------|
| 1 | J11-46311-00-00 | CASE, TRANS 1 | 1 | |
| 2 | 93306-20529-00 | BEARING (B6205C4) | 1 | |
| 3 | 93306-20417-00 | BEARING (B62042RS) | 1 | |
| | 93306-20421-00 | BEARING | 1 | 705~ |
| 4 | 93306-00803-00 | BEARING (B6008) | 1 | |
| 5 | 93102-25017-00 | OIL SEAL | 1 | |
| 6 | 93102-22189-00 | OIL SEAL | 1 | |
| 7 | 95621-08335-00 | BOLT, STUD (95601-08335) | 9 | |
| 8 | 95601-08345-00 | BOLT, STUD | 2 | |
| 9 | J10-46312-00-00 | CASE, TRANS 2 | 1 | |
| 10 | 93306-20310-00 | BEARING | 1 | |
| 11 | 93306-20417-00 | BEARING (B62042RS) | 1 | |
| | 93306-20421-00 | BEARING | 1 | 705~ |
| 12 | 93306-00803-00 | BEARING (B6008) | 1 | |
| 13 | 93102-22189-00 | OIL SEAL | 1 | |
| 14 | 8E4-24461-00-00 | PIPE, JOINT | 1 | |
| 15 | 99510-12016-00 | PIN, DOWEL | 2 | |
| 16 | 92901-08600-00 | WASHER | 11 | |
| 17 | 92990-08100-00 | WASHER | 11 | |
| 18 | 95333-08600-00 | . NUT | 11 | |
| 19 | J10-46319-01-00 | GASKET | 1 | |
| 20 | 90340-14036-00 | PLUG, STRAIGHT SCRW | 2 | |
| 21 | 90430-14042-00 | GASKET | 2 | |
| | 90430-14043-00 | GASKET | 2 | 305~ |
| 22 | 90465-06100-00 | CLAMP | 1 | |
| 23 | 835-47559-00-00 | CAP 2 | 1 | |
| 24 | 97011-10020-00 | BOLT | 2 | |
| 25 | 92990-10100-00 | WASHER, SPRING | 2 | |
| 26 | 92990-10600-00 | WASHER, PLATE | 2 | |

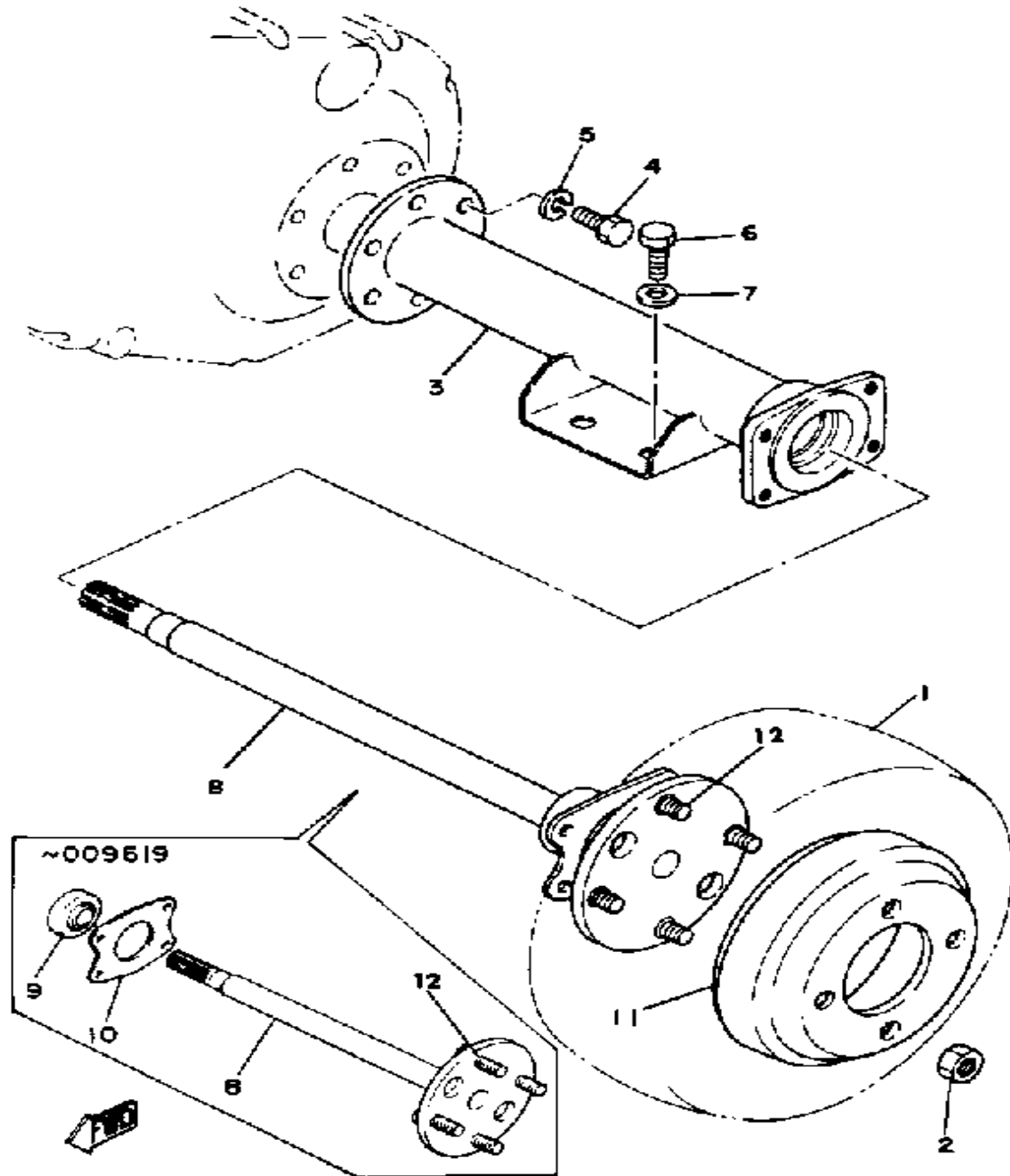
CONTINUED ON NEXT FRAME ➤

TRANSMISSION



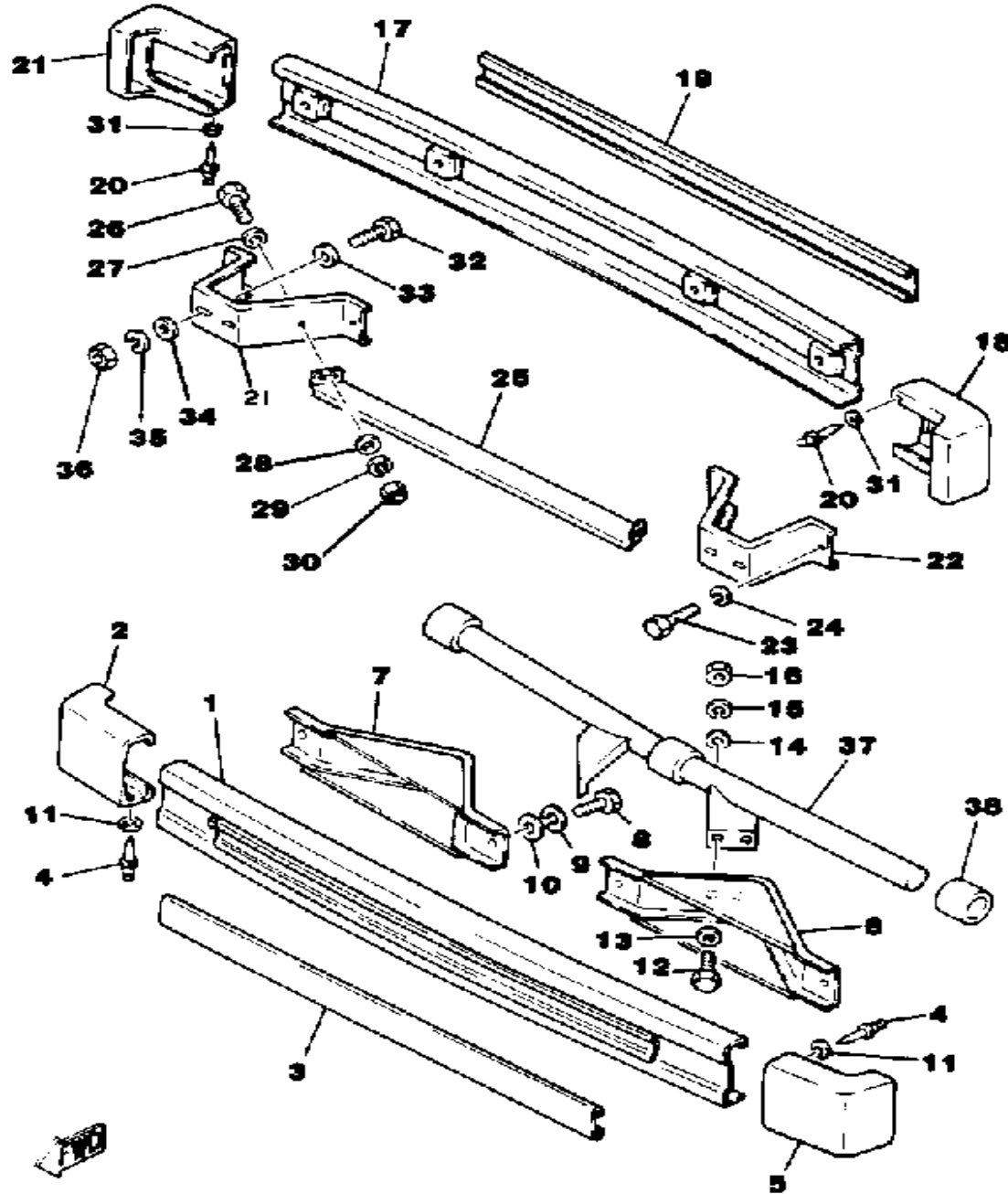
| Ref. No. | Part Number | Description | Qty | Remarks |
|----------|-----------------|-------------------------------|-----|---------|
| 27 | 90465-08028-00 | CLAMP | 1 | |
| 28 | 98580-06010-00 | SCREW, PAN HEAD (92503-06010) | 1 | |
| 29 | 92995-06100-00 | WASHER, SPRING | 1 | |
| 30 | J10-46321-00-00 | SHAFT, INPUT | 1 | |
| 31 | J10-46331-02-00 | GEAR, IMPUT 1 | 1 | |
| 32 | 93410-25017-00 | CIRCLIP | 1 | |
| 33 | J10-46351-00-00 | SHAFT, COUNTER | 1 | |
| 34 | J10-46361-02-00 | GEAR, COUNTER 1 | 1 | |
| 35 | J10-46362-02-00 | GEAR, COUNTER 2 | 1 | |
| | ϕJ1-04636-20-00 | UNAVAILABLE IN PRICE BOOK | 1 | |
| 36 | 90201-20272-00 | WASHER, PLATE | 1 | |
| 37 | J10-W4641-00-00 | CASE, DIFFERENTIAL | 1 | |
| 38 | J10-W4642-00-00 | GEAR, RING | 1 | |
| | J10-W4642-02-00 | GEAR, RING | 1 | 735~ |
| 39 | J10-46414-00-00 | GEAR, DIFF SIDE | 2 | |
| 40 | J10-46415-00-00 | PINION, DIFF | 4 | |
| 41 | 97313-08030-00 | BOLT, HEXAGON | 4 | |
| 42 | 92990-08100-00 | WASHER | 4 | |
| 43 | 99510-10114-00 | PIN, DOWEL | 2 | |
| 44 | 810-47552-00-00 | CAP | 1 | |

REAR AXLE-WHEEL



| Ref. No. | Part Number | Description | Qty | Remarks |
|----------|-----------------|--------------------------------------|-----|---------|
| 1 | *--- | FRONT WHEEL ASSEMBLY | 2 | ML |
| 2 | 90179-12262-00 | NUT | 8 | |
| 3 | J10-46540-00-00 | R.AXLE HOUSING 1COMP | 2 | |
| 4 | 97013-08025-00 | BOLT | 12 | |
| 5 | 92990-08100-00 | WASHER | 12 | |
| 6 | 97011-10020-00 | BOLT | 8 | |
| 7 | 92990-10100-00 | WASHER, SPRING | 8 | |
| 8 | J17-46510-01-00 | REAR AXLE SHAFT 1 | 2 | |
| 9 | 93306-20509-00 | BEARING (B6205) (93306-20525) 0 1 | 2 | |
| 10 | J10-46513-00-00 | RETAINER 0 1 | 2 | |
| 11 | J10-46521-00-00 | DRUM | 2 | |
| 12 | 90114-12004-00 | BOLT, RIBBED NECK | 8 | |

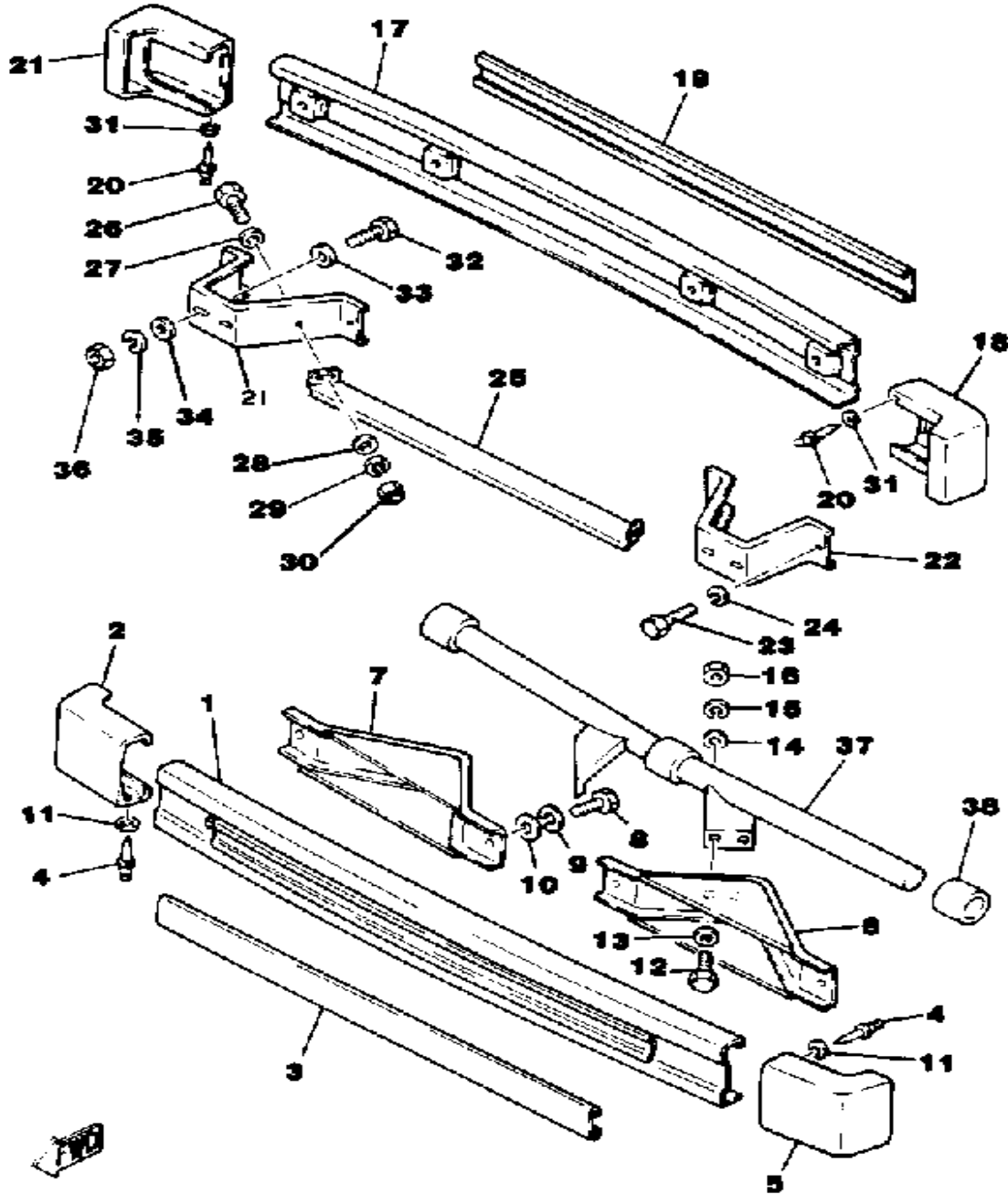
BUMPER



| Ref. No. | Part Number | Description | Qty | Remarks |
|----------|-----------------|---|-----|--------------------|
| 1 | 90267-40M00-00 | RIVET, BLIND | 4 | |
| | 92906-04200-00 | WASHER, PLAIN | 4 | |
| | 99999-01087-00 | FRNT BUMPER ASSEMBLY | 1 | CHROME PLATED |
| | J10-78106-09-00 | BUMPER SB/ASSEMBLY, FRT (J10-78106-02-93) | 1 | 705~ CHROME PLATED |
| | J10-78162-01-00 | PAD, FRONT BUMPER | 1 | |
| 2 | J10-78167-01-00 | BUMPER, RUBBER 1 | 1 | |
| 3 | J10-78162-01-00 | PAD, FRONT BUMPER | 1 | |
| 4 | 90267-40077-00 | RIVET, BLIND | 8 | 542~ |
| | 90267-40M00-00 | RIVET, BLIND | 4 | |
| 5 | J10-78168-01-00 | BUMPER, RUBBER 2 | 1 | |
| 6 | J42-78164-00-00 | STAY, FRT BUMPER 1 (J17-78165-00) | 1 | |
| 7 | J42-78165-00-00 | STAY, FRT BUMPER 2 (J17-78165-00) | 1 | |
| 8 | 97313-08016-00 | BOLT, HEXAGON | 4 | |
| 9 | 92990-08100-00 | WASHER | 4 | |
| 10 | 92901-08600-00 | WASHER | 4 | |
| 11 | 90201-04325-00 | WASHER, PLATE | 8 | |
| | 92906-04200-00 | WASHER, PLAIN | 4 | 008~ |
| 12 | 97013-08025-00 | BOLT | 4 | 922~ |
| | 97313-08020-00 | BOLT, HEXAGON | 4 | |
| 13 | 92901-08600-00 | WASHER | 4 | |
| 14 | 90201-085E6-00 | WASHER PLATE | 4 | 922~ |
| | 92990-08200-00 | WASHER, PLAIN | 4 | |
| 15 | 92990-08100-00 | WASHER | 4 | |
| 16 | 95333-08600-00 | . NUT | 4 | |
| 17 | 90267-40M00-00 | RIVET, BLIND | 4 | |
| | 92906-04200-00 | WASHER, PLAIN | 4 | |

CONTINUED ON NEXT FRAME ►

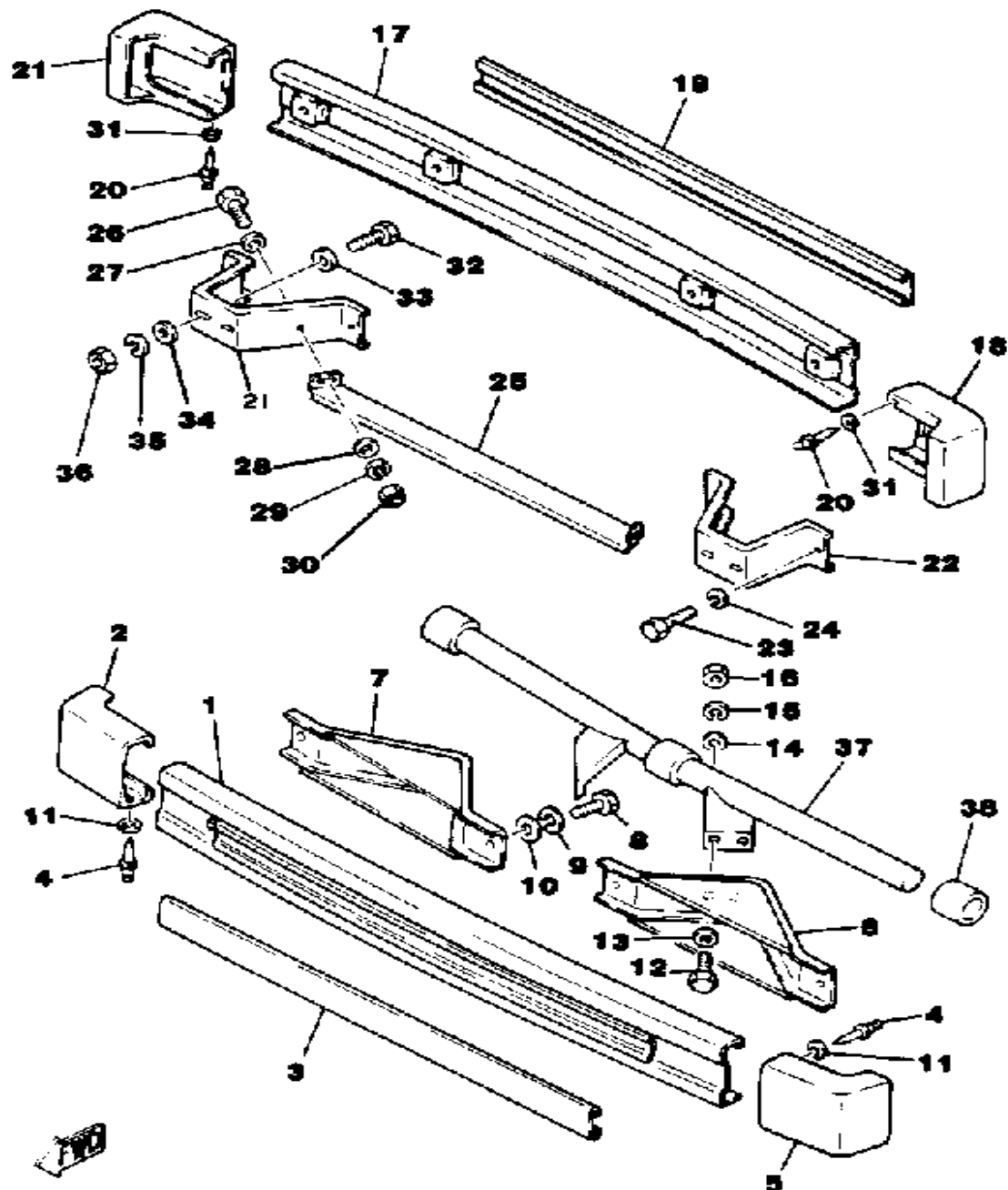
BUMPER



| Ref. No. | Part Number | Description | Qty | Remarks |
|----------|-----------------|--|-----|-----------------------|
| 17 | 99999-01088-00 | REAR BUMPER ASSEMBLY (J10-78107-00-93) | 1 | CHROME PLATED |
| | J10-78107-09-00 | BUMPER SB/ASSEMBLY, RR (J10-78107-02-93) | 1 | 705~ CHROME PLATED |
| | J10-78162-01-00 | PAD, FRONT BUMPER | 1 | |
| | J42-78174-00-00 | STAY, REAR BUMPER (J10-78174-01) | 2 | |
| 18 | J10-78167-01-00 | BUMPER, RUBBER 1 | 1 | |
| 19 | J10-78162-01-00 | PAD, FRONT BUMPER | 1 | |
| 20 | 90267-40077-00 | RIVET, BLIND | 8 | 542~ |
| | 90267-40M00-00 | RIVET, BLIND | 4 | |
| 21 | J10-78168-01-00 | BUMPER, RUBBER 2 | 1 | |
| 22 | J10-78174-00-00 | STAY, REAR BUMPER | 2 | |
| | J42-78174-00-00 | STAY, REAR BUMPER (J10-78174-01) | 2 | 705~ |
| 23 | 97313-08016-00 | BOLT, HEXAGON | 4 | |
| 24 | 92990-08100-00 | WASHER | 4 | |
| 25 | J10-78179-00-00 | PLATE, EXTENSION | 1 | |
| 26 | 97011-08016-00 | BOLT | 2 | |
| 27 | 92901-08600-00 | WASHER | 2 | |
| 28 | 92990-08200-00 | WASHER, PLAIN | 2 | |
| 29 | 92990-08100-00 | WASHER | 2 | |
| 30 | 95303-08800-00 | NUT (CROWN) (95301-08800) | 2 | |
| 31 | 90201-04325-00 | WASHER, PLATE | 8 | |
| | 92906-04200-00 | WASHER, PLAIN | 4 | 008~ |
| 32 | 97313-08020-00 | BOLT, HEXAGON | 4 | |
| 33 | 92901-08600-00 | WASHER | 4 | |
| 34 | 92990-08200-00 | WASHER, PLAIN | 4 | |
| 35 | 92990-08100-00 | WASHER | 4 | |

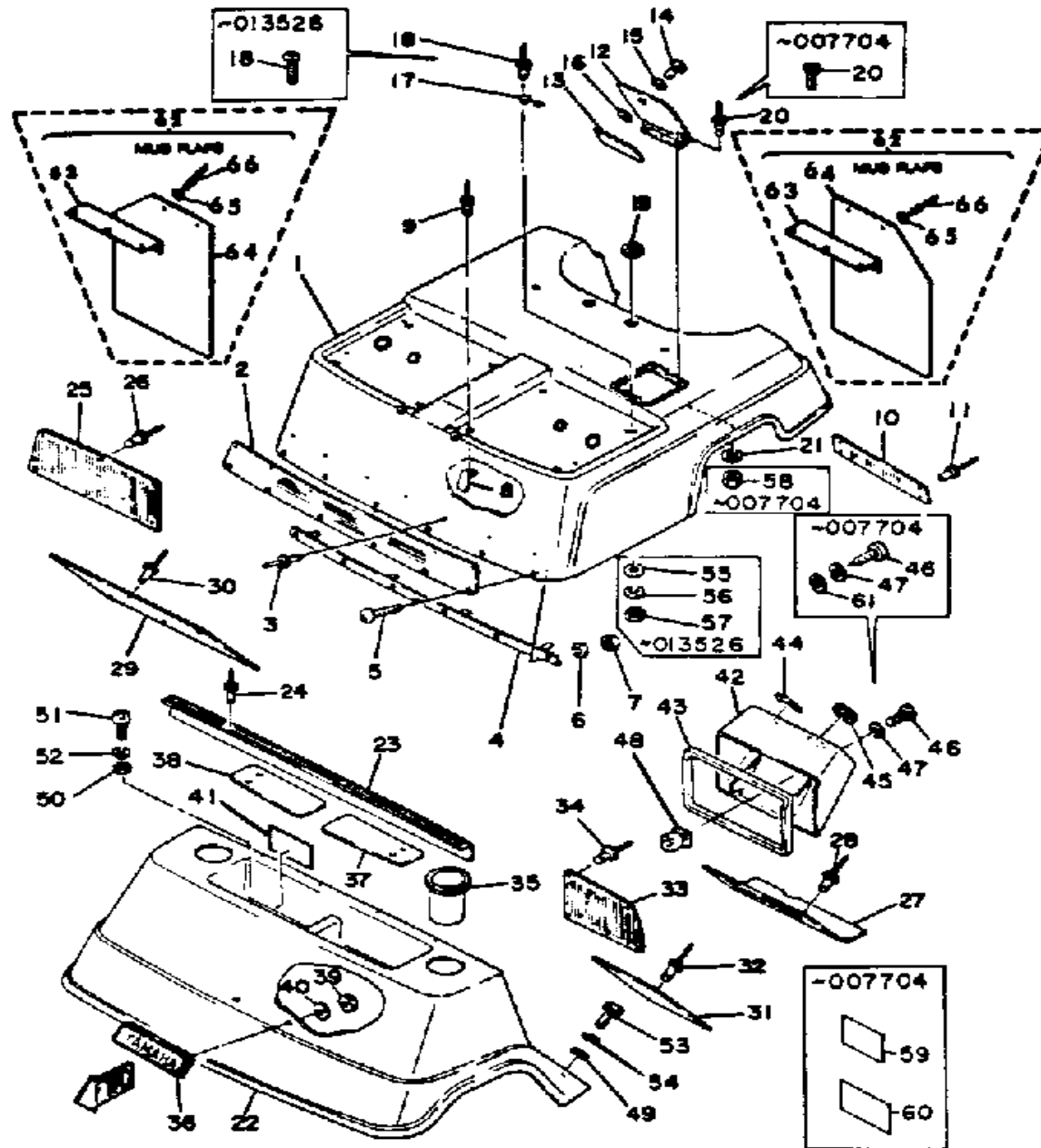
CONTINUED ON NEXT FRAME ➤

BUMPER



| Ref. No. | Part Number | Description | Qty | Remarks |
|----------|-----------------|--|-----|---------|
| 36 | 95333-08600-00 | . NUT | 4 | |
| 37 | J10-78122-00-00 | REINFORCEMENT 2 | 1 | 922~ |
| 38 | ø90-38737-5A-10 | UNAVAILABLE IN PRICE BOOK 0 3 | 3 | 922~ |

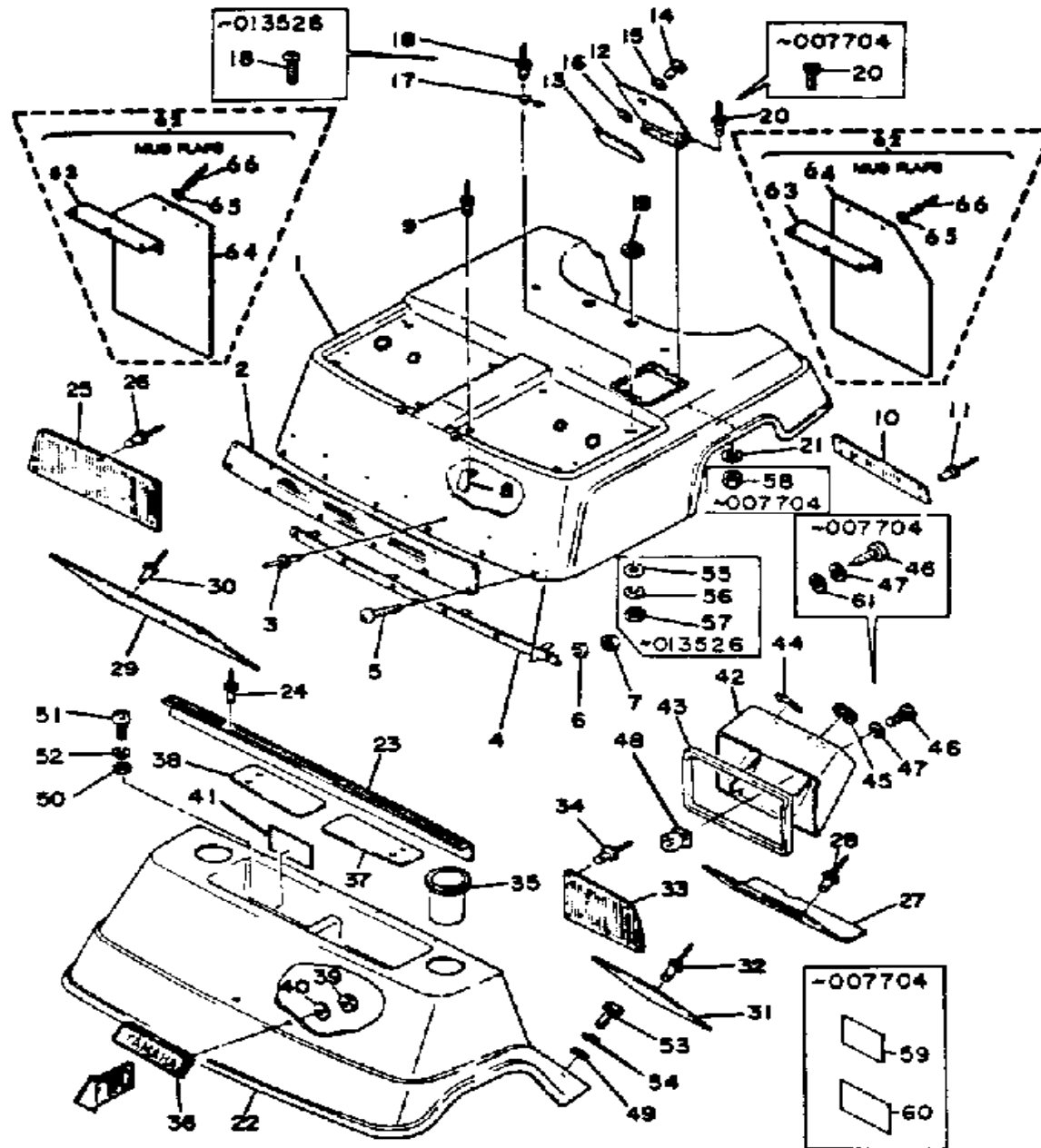
BODY PANEL-REAR MUD FLAP



| Ref. No. | Part Number | Description | Qty | Remarks |
|----------|-----------------|--------------------------------|-----|-------------|
| 1 | J10-W7811-01-00 | PANEL, BODY SHELL | 1 | |
| 2 | J10-78119-00-00 | PLATE 3 | 1 | |
| 3 | 90267-40077-00 | RIVET, BLIND | 7 | |
| 4 | 98501-05035-00 | . SCREW, PAN HEAD | 2 | |
| | 99999-01680-00 | REINFORCEMENT 1 (J10-78121-00) | 1 | |
| | J17-78121-00-00 | . REINFORCEMENT 1 | 1 | |
| | J17-78156-00-00 | . STOPPER, LOCK | 1 | |
| 5 | 98980-06016-00 | SCREW, BINDING | 6 | |
| 6 | 92995-06100-00 | WASHER, SPRING | 6 | |
| 7 | 95380-06600-00 | NUT | 6 | |
| 8 | J10-78318-00-00 | HOOK, END 1 | 4 | |
| 9 | 90267-40077-00 | RIVET, BLIND | 4 | |
| 10 | J10-78137-00-00 | PLATE 4 | 1 | |
| 11 | 90267-40077-00 | RIVET, BLIND | 4 | |
| 12 | J10-78272-00-9E | COVER, FUEL INLET | 1 | IVORY WHITE |
| 13 | J10-77764-00-00 | LABEL, WARNING 4 | 1 | |
| 14 | J10-78238-01-00 | FASTENER, UPPER | 1 | |
| 15 | 90201-08083-00 | WASHER, PLATE | 1 | |
| 16 | 99009-06600-00 | CIRCLIP | 1 | |
| 17 | J10-78239-00-00 | FASTENER, LOWER | 1 | |
| 18 | 90267-32019-00 | RIVET, BLIND | 2 | 527~ |
| | 98901-03010-00 | SCREW, BIND | 2 | |
| 19 | 90480-35242-00 | GROMMET | 2 | |
| 20 | 90267-40077-00 | RIVET, BLIND | 2 | 705~ |
| | 98701-04012-00 | SCREW, FLAT HEAD | 3 | |
| 21 | 90201-044H9-00 | WASHER, PLAIN | 2 | 705~ |
| | 92901-04600-00 | WASHER, PLATE | 3 | |
| 22 | J10-W7812-00-00 | COWL, FRONT (J10-78115-00) | 1 | |

CONTINUED ON NEXT FRAME ►

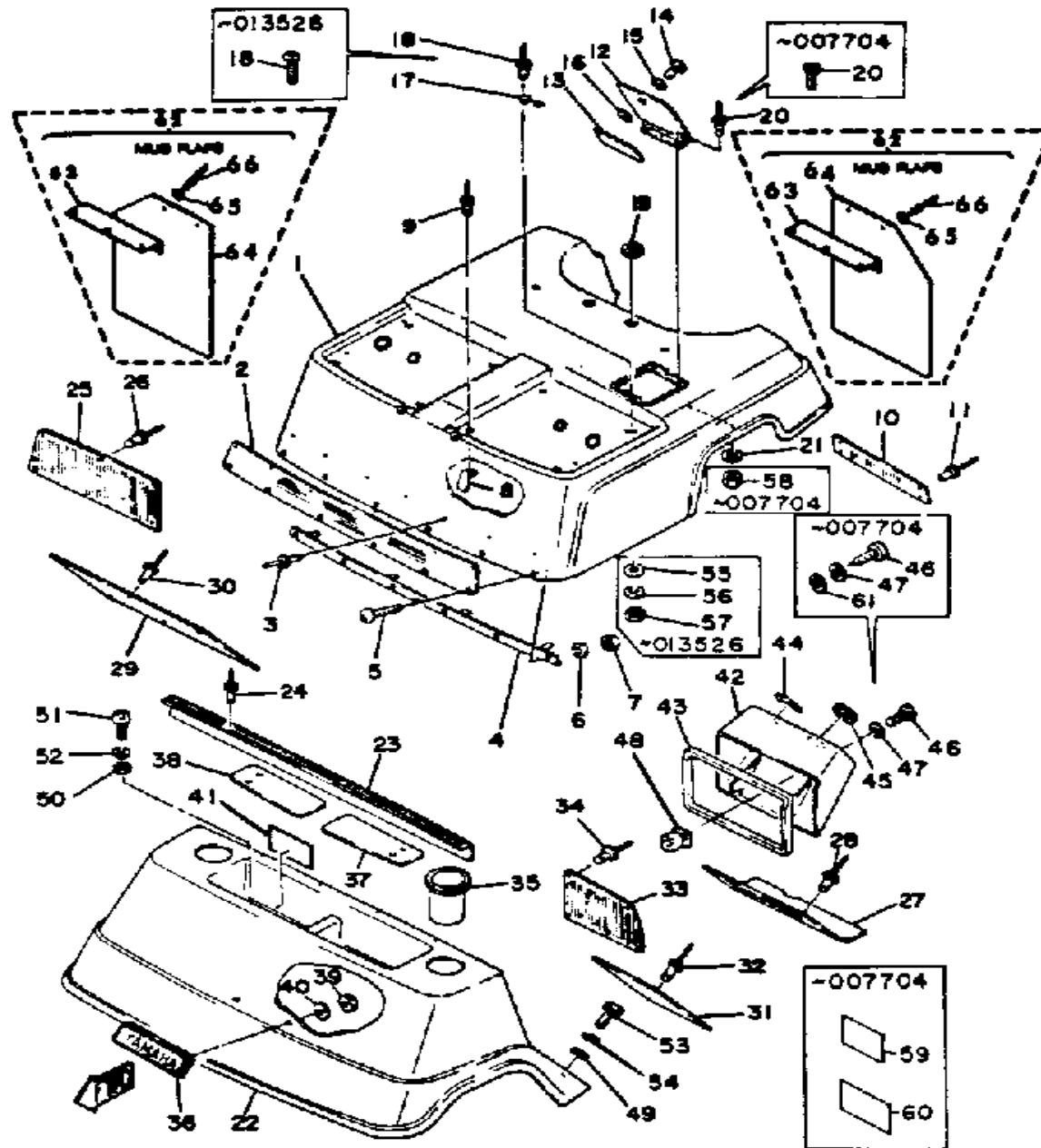
BODY PANEL-REAR MUD FLAP



| Ref. No. | Part Number | Description | Qty | Remarks |
|----------|-----------------|-------------------------|-----|---------|
| 23 | J10-77165-01-00 | TRIM 1 | 1 | 565~ |
| 24 | 90267-40029-00 | RIVET, BLIND | 8 | |
| | 90267-63047-00 | RIVET, BLIND | 11 | 565~ |
| 25 | J10-78117-00-00 | PLATE 1 | 1 | |
| | J10-78117-10-00 | PLATE 1 | 1 | 705~ |
| 26 | 90267-40054-00 | RIVET, BLIND | 5 | |
| 27 | J10-78118-00-00 | PLATE 2 | 1 | |
| | J10-78118-01-00 | PLATE 2 | 1 | 705~ |
| 28 | 90267-40054-00 | RIVET, BLIND | 4 | |
| 29 | J10-78232-00-00 | MAT, MAIN FLOOR 2 | 1 | |
| 30 | 90267-63047-00 | RIVET, BLIND | 7 | |
| 31 | J10-78233-00-00 | MAT, MAIN FLOOR 3 | 1 | |
| 32 | 90267-63047-00 | RIVET, BLIND | 6 | |
| 33 | J10-78147-00-00 | PLATE 5 | 1 | 705~ |
| 34 | 90267-40M00-00 | RIVET, BLIND | 4 | 705~ |
| 35 | J10-78359-00-00 | HOLDER 3 | 2 | |
| 36 | J10-78291-00-00 | EMBLEM 1 | 1 | |
| 37 | J10-77151-01-00 | PAD 1 | 1 | |
| 38 | J10-77152-01-00 | PAD 2 | 1 | |
| 39 | 95701-05300-00 | . NUT, NYLON | 2 | |
| 40 | 92990-05200-00 | WASHER, PLAIN | 2 | |
| 41 | J10-77768-00-00 | LABEL, WARNING | 1 | 705~ |
| 42 | J10-77711-00-00 | PANEL, INSTRUMENT | 1 | |
| 43 | J10-78245-00-00 | SEAL 1 | 1 | |
| 44 | J10-77741-00-00 | INDICATOR 1 | 1 | |
| 45 | 90480-48243-00 | GROMMET | 1 | |
| 46 | 97780-50130-00 | SCREW, TAPPING | 2 | |
| 47 | 90201-05029-00 | WASHER, PLATE | 2 | |
| 48 | 90480-07241-00 | GROMMET | 2 | |

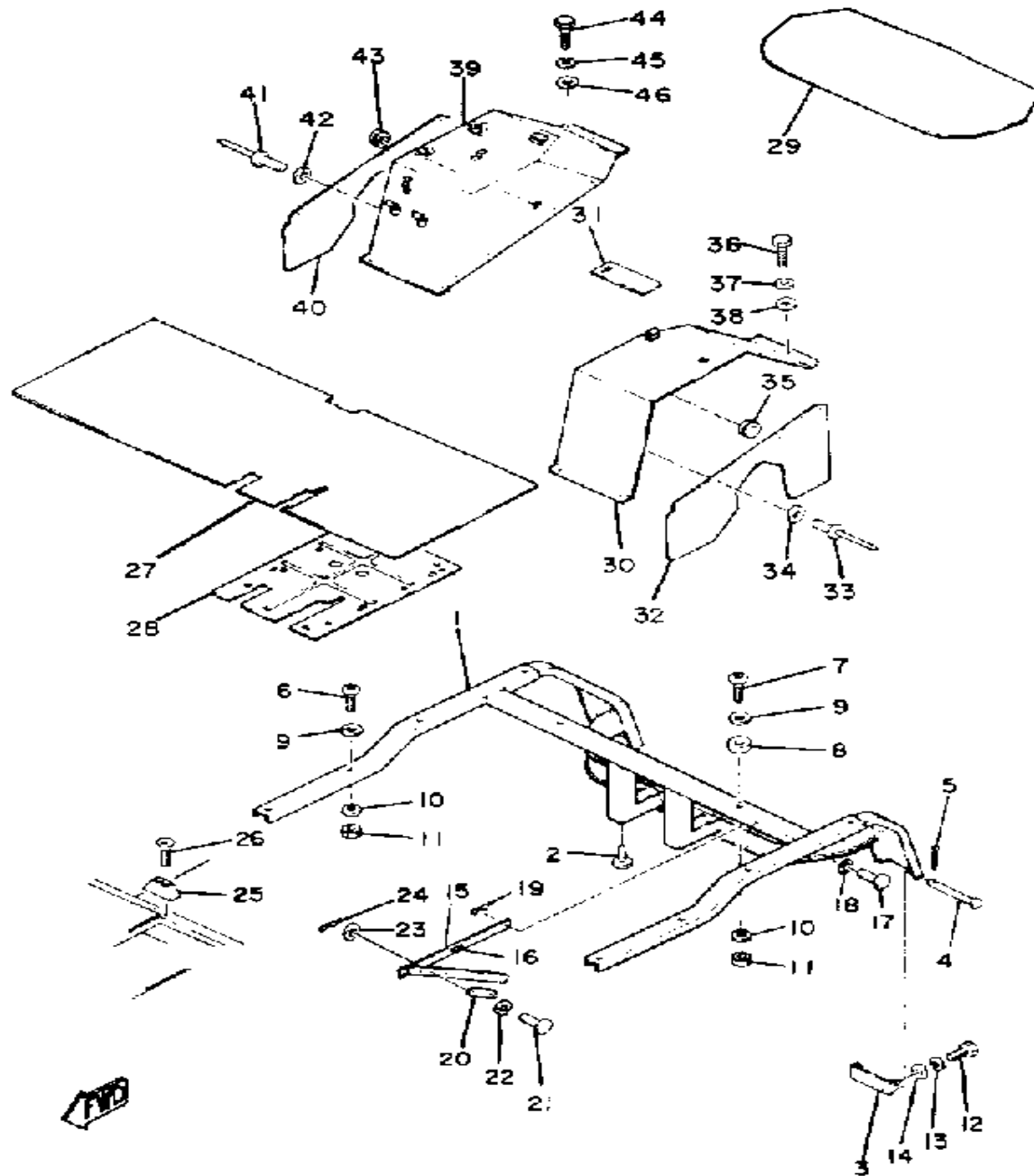
CONTINUED ON NEXT FRAME ►

BODY PANEL-REAR MUD FLAP



| Ref. No. | Part Number | Description | Qty | Remarks |
|----------|-------------------|-----------------------------------|-----|---------|
| 49 | 90201-06075-00 | WASHER, PLATE | 5 | |
| 50 | 90201-08310-00 | WASHER, PLATE | 2 | |
| | 90201-08612-00 | WASHER, PLATE | 2 | 705~ |
| 51 | 98903-08020-00 | SCREW, BIND (98901-08020) | 2 | 705~ |
| 52 | 92990-08100-00 | WASHER | 2 | 705~ |
| 53 | 97023-06020-00 | BOLT (3XF) | 5 | |
| 54 | 92995-06100-00 | WASHER, SPRING | 5 | |
| 55 | 92902-03600-00 | WASHER | 2 | |
| 56 | 92990-03100-00 | . WASHER, SPRING (92901-03100) | 2 | |
| 57 | 90179-03478-00 | NUT, SPEC'L SHAPE 0 2 | 2 | |
| 58 | 95601-04100-00 | NUT, U | 3 | |
| 59 | J10-77768-00-00 | LABEL, WARNING | 1 | |
| 60 | J10-77762-01-00 | LABEL, WARNING 2 | 1 | |
| 61 | 90202-05057-00 | WASHER, PLATE | 2 | |
| 62 | J11-78103-00-00 | MUD FLAP (L.H) | 2 | |
| | J11-78104-00-00 | MUD FLAP (R.H) | 2 | |
| 63 | ϕJ1-17819-80-00 | . UNAVAILABLE IN PRICE BOOK | 2 | |
| 64 | (J11-78199-00-00) | . FLAP, REAR 2 | 2 | |
| 65 | 90201-05034-00 | . WASHER, PLATE | 6 | |
| 66 | 90267-40054-00 | . RIVET, BLIND | 6 | |

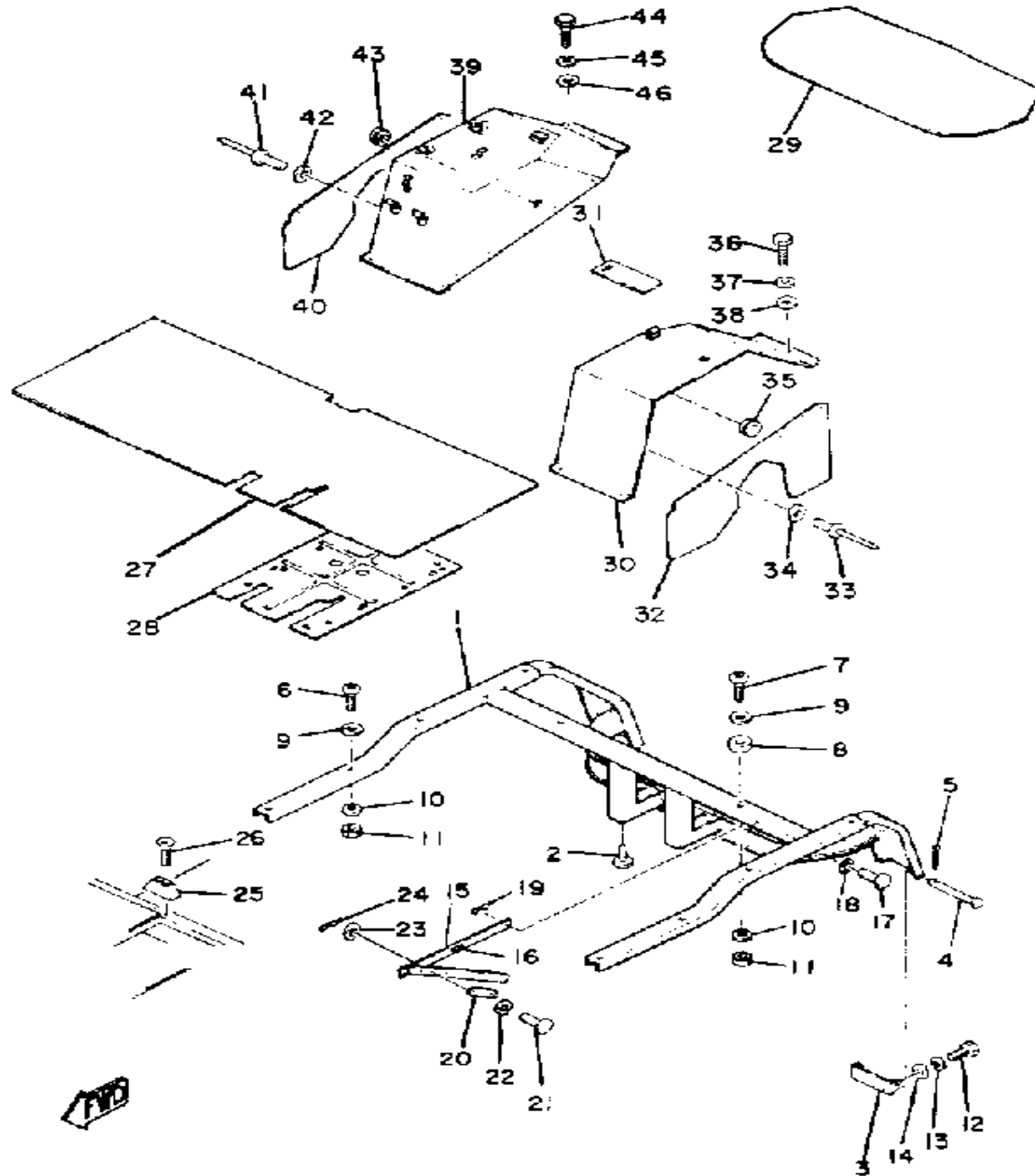
BODY FITTING



| Ref. No. | Part Number | Description | Qty | Remarks |
|----------|-----------------|--|-----|---------------|
| 1 | J10-77145-00-00 | HINGE 1 | 1 | |
| 2 | 90480-06240-00 | GROMMET | 2 | |
| 3 | J10-77146-00-00 | HINGE 2 | 2 | |
| 4 | 91701-08118-00 | PIN, CLEVIS | 2 | |
| 5 | 91401-25020-00 | PIN, COTTER | 2 | |
| 6 | 98980-06020-00 | SCREW, BIND | 10 | |
| 7 | 98980-06025-00 | SCREW, BIND | 2 | |
| 8 | 90202-08085-00 | WASHER, PLATE | 2 | |
| 9 | 90201-06697-00 | WASHER, PLATE | 12 | |
| 10 | 92995-06100-00 | WASHER, SPRING | 12 | |
| 11 | 95380-06600-00 | NUT | 12 | |
| 12 | 97313-08020-00 | BOLT, HEXAGON | 4 | |
| 13 | 92990-08100-00 | WASHER | 4 | |
| 14 | 92901-08600-00 | WASHER | 4 | |
| 15 | J10-77125-00-00 | STAY 1 | 2 | |
| 16 | J10-77766-00-00 | LABEL, WARNING 6 | 2 | |
| 17 | 91701-08014-00 | PIN, CLEVIS | 4 | |
| 18 | 90206-08051-00 | WASHER, WAVE | 4 | |
| 19 | 90468-16065-00 | CLIP | 4 | 055~ |
| | 91401-25020-00 | PIN, COTTER | 4 | |
| 20 | J10-77188-00-00 | STOPPER | 1 | |
| 21 | 91701-06012-00 | PIN, CLEVIS | 1 | |
| 22 | 90206-06090-00 | WASHER, WAVE | 1 | |
| 23 | 92990-06200-00 | WASHER | 1 | |
| 24 | 90468-10050-00 | CLIP | 1 | 055~ |
| | 91490-20020-00 | PIN, COTTER | 1 | |
| 25 | J10-78156-00-00 | STOPPER, LOCK | 1 | |
| 26 | 98701-05035-00 | SCREW, FLAT HEAD | 2 | |
| 27 | J10-78231-09-00 | MAT, MAIN FLOOR 1 (J10-78231-02) | 1 | LONG SEE NOTE |

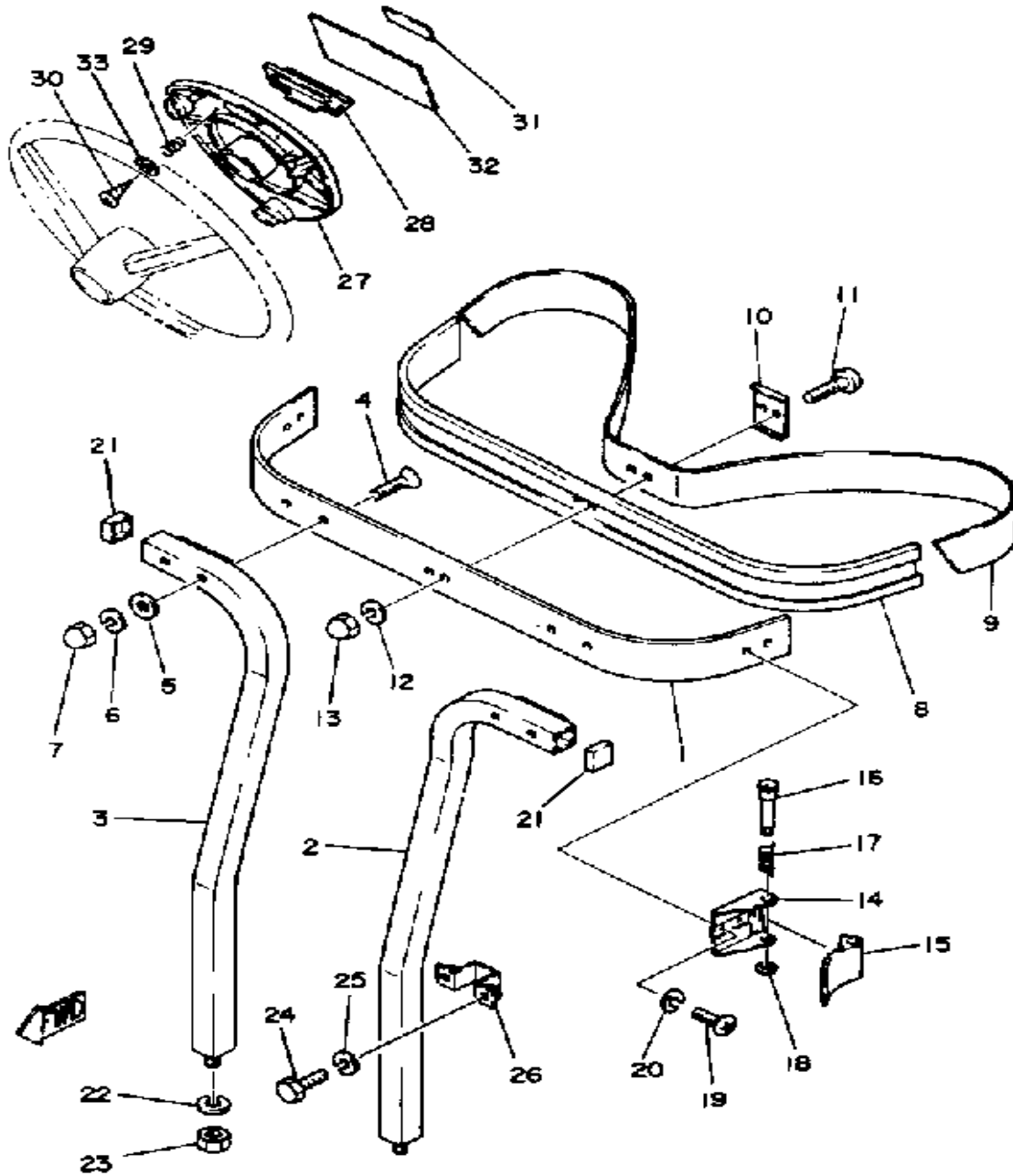
CONTINUED ON NEXT FRAME ➤

BODY FITTING



| Ref. No. | Part Number | Description | Qty | Remarks |
|----------|-----------------|-----------------------------------|-----|----------------|
| 27 | J10-78231-09-00 | MAT, MAIN FLOOR 1 (J10-78231-02) | 1 | SHORT SEE NOTE |
| 28 | J31-78271-00-00 | SERVICE LID, PEDAL | 1 | |
| 29 | J10-78241-00-00 | MAT, REAR FLOOR | 1 | |
| 30 | J10-78191-01-00 | PANEL, RR FENDER 1 (J10-78101-00) | 1 | |
| 31 | J10-77765-00-00 | LABEL, WARNING 5 | 1 | |
| 32 | J10-78197-00-00 | FLAP, REAR FENDER | 1 | |
| 33 | 90267-40054-00 | RIVET, BLIND | 4 | |
| 34 | 90201-05034-00 | WASHER, PLATE | 4 | |
| 35 | 90480-12237-00 | GROMMET | 1 | |
| 36 | 97313-06016-00 | BOLT, HEXAGON | 4 | |
| 37 | 92995-06100-00 | WASHER, SPRING | 4 | |
| 38 | 92901-06600-00 | . WASHER | 4 | |
| 39 | J10-78192-02-00 | PANEL, RR FENDER 2 0 1 | 1 | |
| | J10-78192-02-00 | PANEL, RR FENDER 2 0 1 | 1 | 705~ |
| 40 | J10-78197-00-00 | FLAP, REAR FENDER | 1 | |
| 41 | 90267-40054-00 | RIVET, BLIND | 4 | |
| 42 | 90201-05034-00 | WASHER, PLATE | 4 | |
| 43 | 90480-12023-70 | UNAVAILABLE IN PRICE BOOK | 1 | |
| 44 | 97313-06016-00 | BOLT, HEXAGON | 4 | |
| 45 | 92995-06100-00 | WASHER, SPRING | 4 | |
| 46 | 92901-06600-00 | WASHER | 4 | |

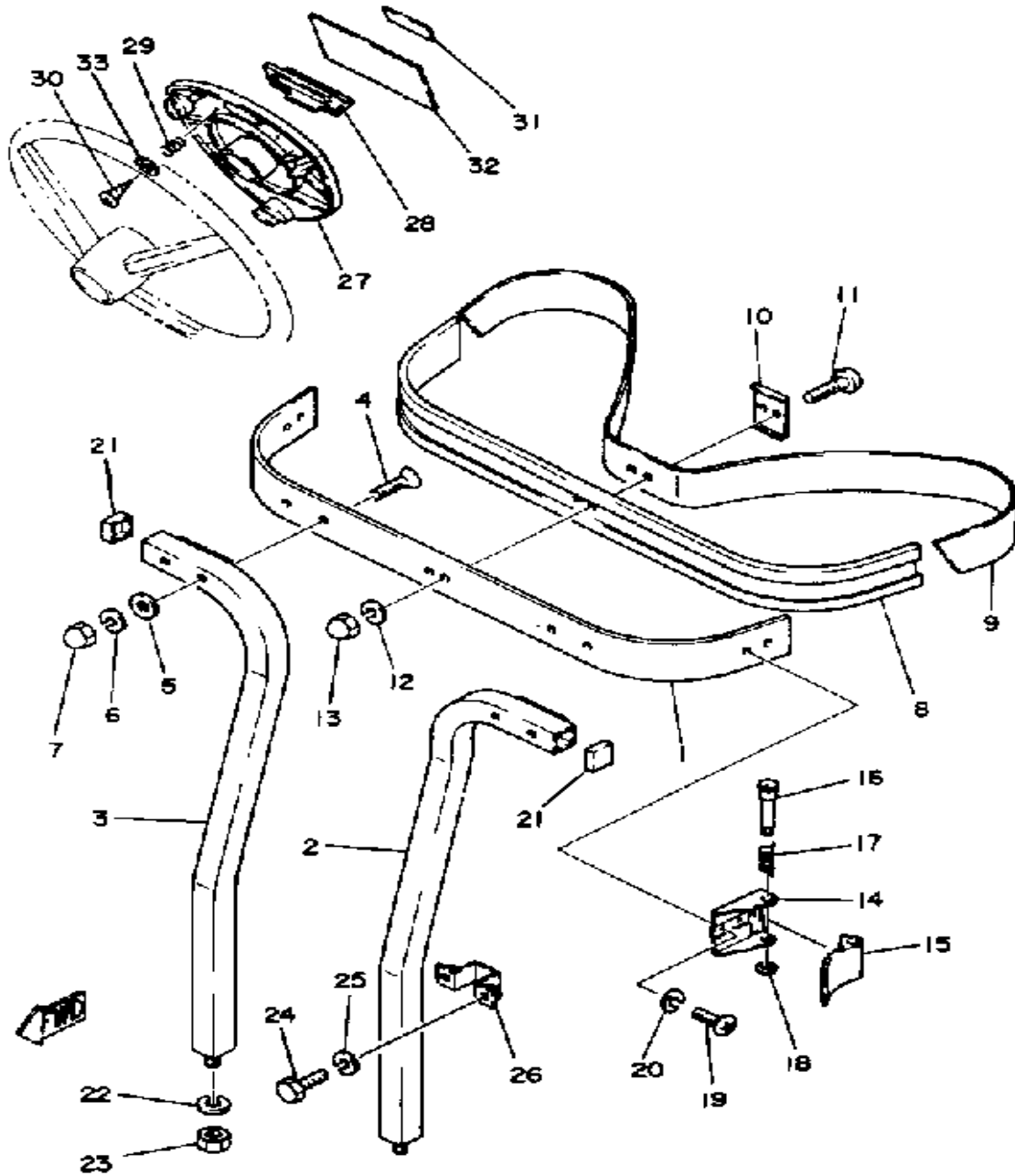
CARRIER



| Ref. No. | Part Number | Description | Qty | Remarks |
|----------|-----------------|---|-----|-------------|
| 1 | J42-78351-00-00 | SUPPORT, BAG UPPER (J10-78351-00-9E) | 1 | IVORY WHITE |
| 2 | J10-78352-00-00 | SUPPORT, BAG LWR 1 (J10-78352-00-9E) | 1 | IVORY WHITE |
| 3 | J10-78353-00-00 | SUPPORT, BAG LWR 2 (J10-78353-00-9E) | 1 | IVORY WHITE |
| 4 | 98701-08045-00 | SCREW, FLAT HEAD (92701-08045) | 4 | |
| 5 | 90201-08107-00 | WASHER, PLATE | 4 | |
| 6 | 92990-08100-00 | WASHER | 4 | |
| 7 | 95303-08800-00 | NUT (CROWN) (95301-08800) | 4 | |
| 8 | J10-78356-00-00 | PAD, BAG SUPPORT | 1 | |
| 9 | J10-78355-00-00 | BAND | 1 | |
| 10 | J10-78367-00-00 | PLATE, ANCHOR | 1 | |
| 11 | 98903-06016-00 | SCREW, BIND | 2 | |
| 12 | 92995-06100-00 | WASHER, SPRING | 2 | |
| 13 | 95303-06800-00 | NUT (CROWN) | 2 | |
| 14 | J10-78157-00-00 | BASE, LOCK | 2 | |
| 15 | J10-78368-00-00 | LEVER, LOCK | 2 | |
| 16 | J10-78369-01-00 | PIN, LEVER | 2 | |
| 17 | 90508-10382-00 | SPRING, TORSION | 2 | |
| 18 | 99080-05600-00 | CIRCLIP | 2 | |
| 19 | 98580-06008-00 | SCREW, PAN HEAD | 4 | |
| 20 | 92995-06100-00 | WASHER, SPRING | 4 | |
| 21 | J10-78139-00-00 | CAP, END | 2 | |
| 22 | 92990-10100-00 | WASHER, SPRING | 2 | |
| 23 | 95303-10600-00 | NUT (95301-10600) | 2 | |
| 24 | 97301-06014-00 | BOLT, HEXAGON | 4 | |
| 25 | 92995-06100-00 | WASHER, SPRING | 4 | |
| 26 | J10-78366-01-00 | CLAMP, SUPPORT | 2 | |

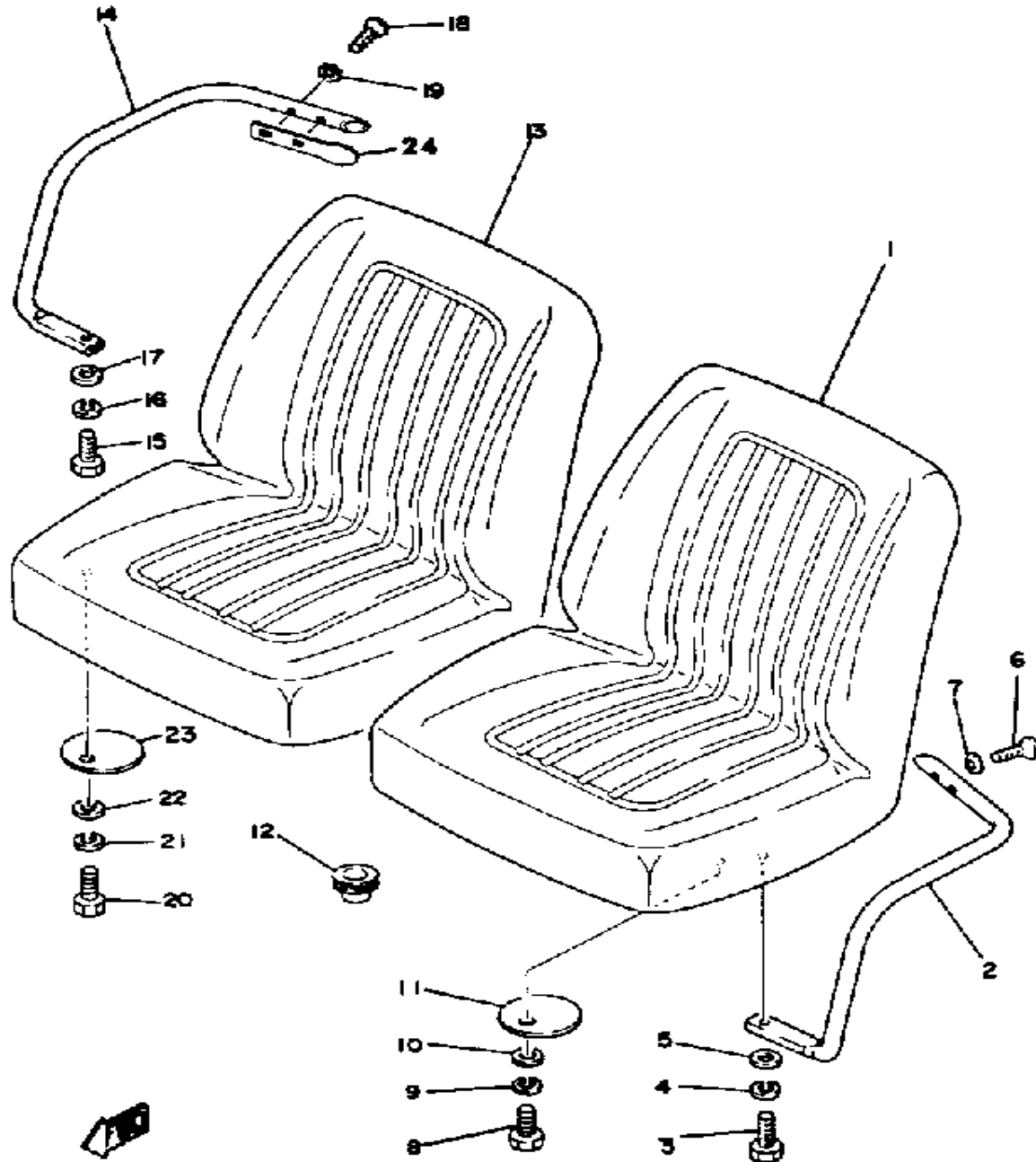
CONTINUED ON NEXT FRAME ►

CARRIER



| Ref. No. | Part Number | Description | Qty | Remarks |
|----------|-----------------|------------------------|-----|---------|
| 27 | J10-78357-01-00 | HOLDER 1 | 1 | |
| 28 | J10-78358-00-00 | HOLDER 2 | 1 | |
| 29 | 90502-10013-00 | SPRING, CONICAL | 2 | |
| 30 | 97780-50125-00 | SCREW, TAPPING | 2 | |
| 31 | J10-78292-00-00 | EMBLEM 2 | 1 | |
| 32 | J10-77762-01-00 | LABEL, WARNING 2 | 1 | |
| 33 | 92901-05600-00 | WASHER, PLATE | 2 | |

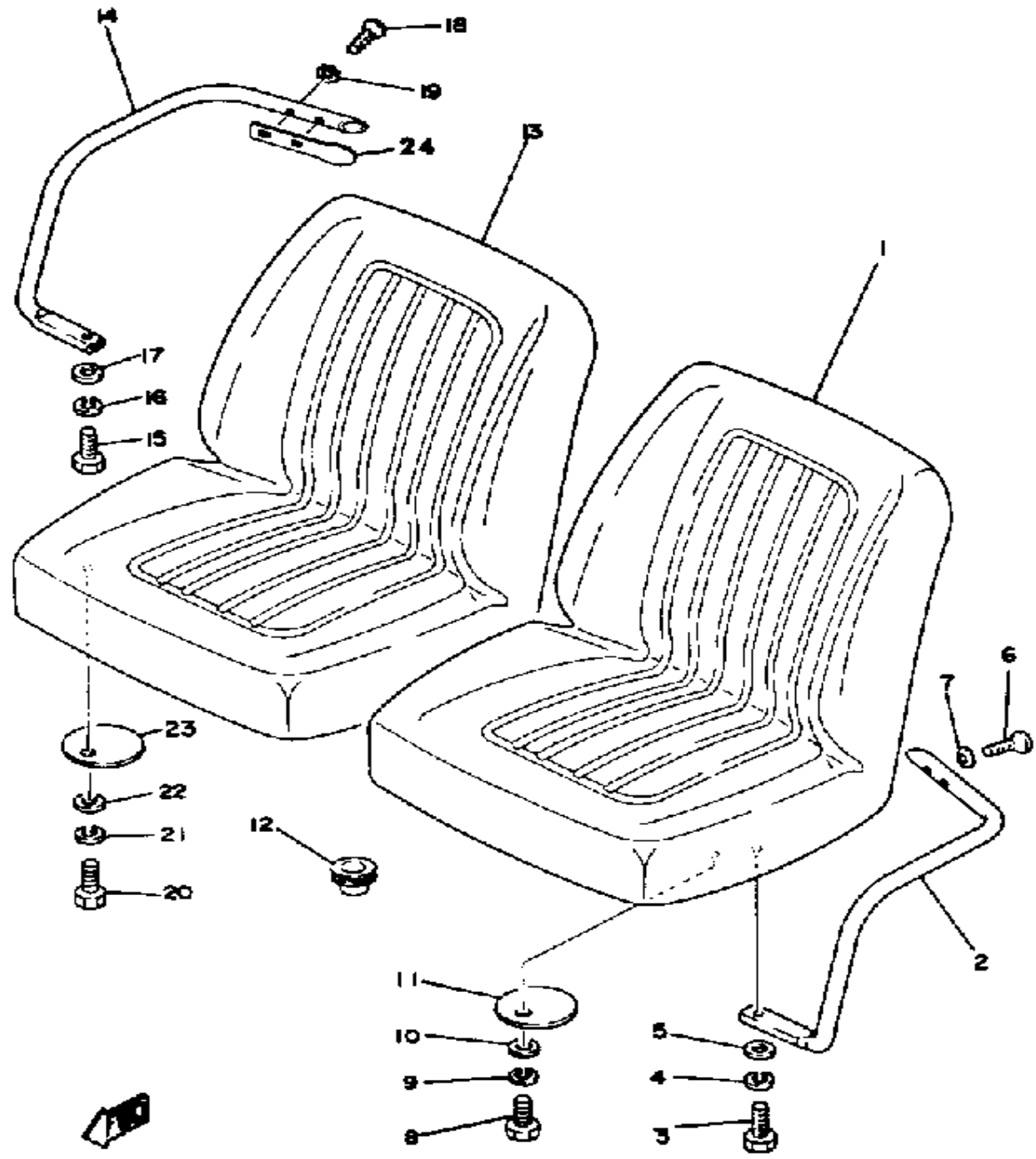
SEAT



| Ref. No. | Part Number | Description | Qty | Remarks |
|----------|-----------------|---|-----|---------------|
| 1 | 90480-35346-00 | . GROMMET | 1 | |
| | J10-78401-04-00 | GOLF CAR SEAT (L) (J10-78401-02) | 1 | |
| 2 | J10-78361-00-00 | ARM REST 1 | 1 | CHROME PLATED |
| 3 | 97013-10030-00 | BOLT (8J7) (97303-10030) | 1 | |
| 4 | 92990-10100-00 | WASHER, SPRING | 1 | |
| 5 | 92990-10600-00 | WASHER, PLATE | 1 | |
| 6 | 98680-08035-00 | SCREW, OVALHEAD | 2 | |
| 7 | 92990-08500-00 | WASHER, EX.TOOTH (92901-08500) | 2 | |
| 8 | 97001-08025-00 | BOLT (1NV) | 4 | 565~ |
| | 97313-08020-00 | BOLT, HEXAGON | 4 | |
| 9 | 92990-08100-00 | WASHER | 4 | |
| 10 | 90201-08310-00 | WASHER, PLATE | 4 | |
| 11 | J10-78439-00-00 | WASHER, SEAT | 4 | 565~ |
| 12 | 90480-42282-00 | GROMMET | 2 | 565~ |
| 13 | 90480-35346-00 | GROMMET | 1 | |
| | J10-78403-04-00 | SEAT SB/ASSEMBLY, CSHN 2 (99999-01263) | 1 | |
| 14 | J10-78362-00-93 | ARM REST 2 | 1 | CHROME PLATED |
| 15 | 97013-10030-00 | BOLT (8J7) (97303-10030) | 1 | |
| 16 | 92990-10100-00 | WASHER, SPRING | 1 | |
| 17 | 92990-10600-00 | WASHER, PLATE | 1 | |
| 18 | 98680-08035-00 | SCREW, OVALHEAD | 2 | |
| 19 | 92990-08500-00 | WASHER, EX.TOOTH (92901-08500) | 2 | |
| 20 | 97001-08025-00 | BOLT (1NV) | 4 | 565~ |
| | 97313-08020-00 | BOLT, HEXAGON | 4 | |
| 21 | 92990-08100-00 | WASHER | 4 | |
| 22 | 90201-08310-00 | WASHER, PLATE | 4 | |

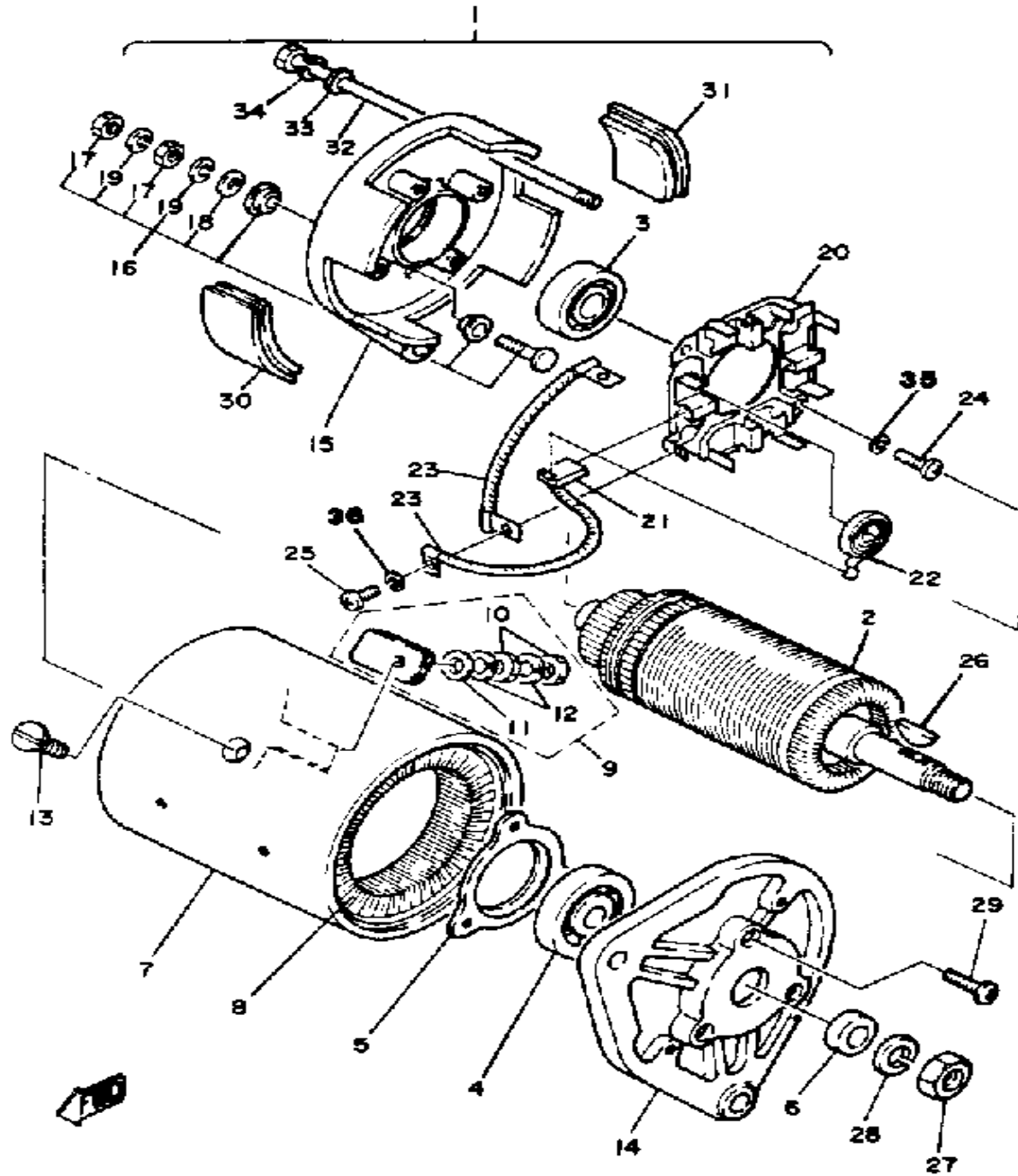
CONTINUED ON NEXT FRAME ►

SEAT



| Ref. No. | Part Number | Description | Qty | Remarks |
|----------|-----------------|------------------------|-----|---------|
| 23 | J10-78439-00-00 | WASHER, SEAT | 4 | 705~ |
| 24 | J17-78348-00-00 | SPACER, ARM REST | 2 | |

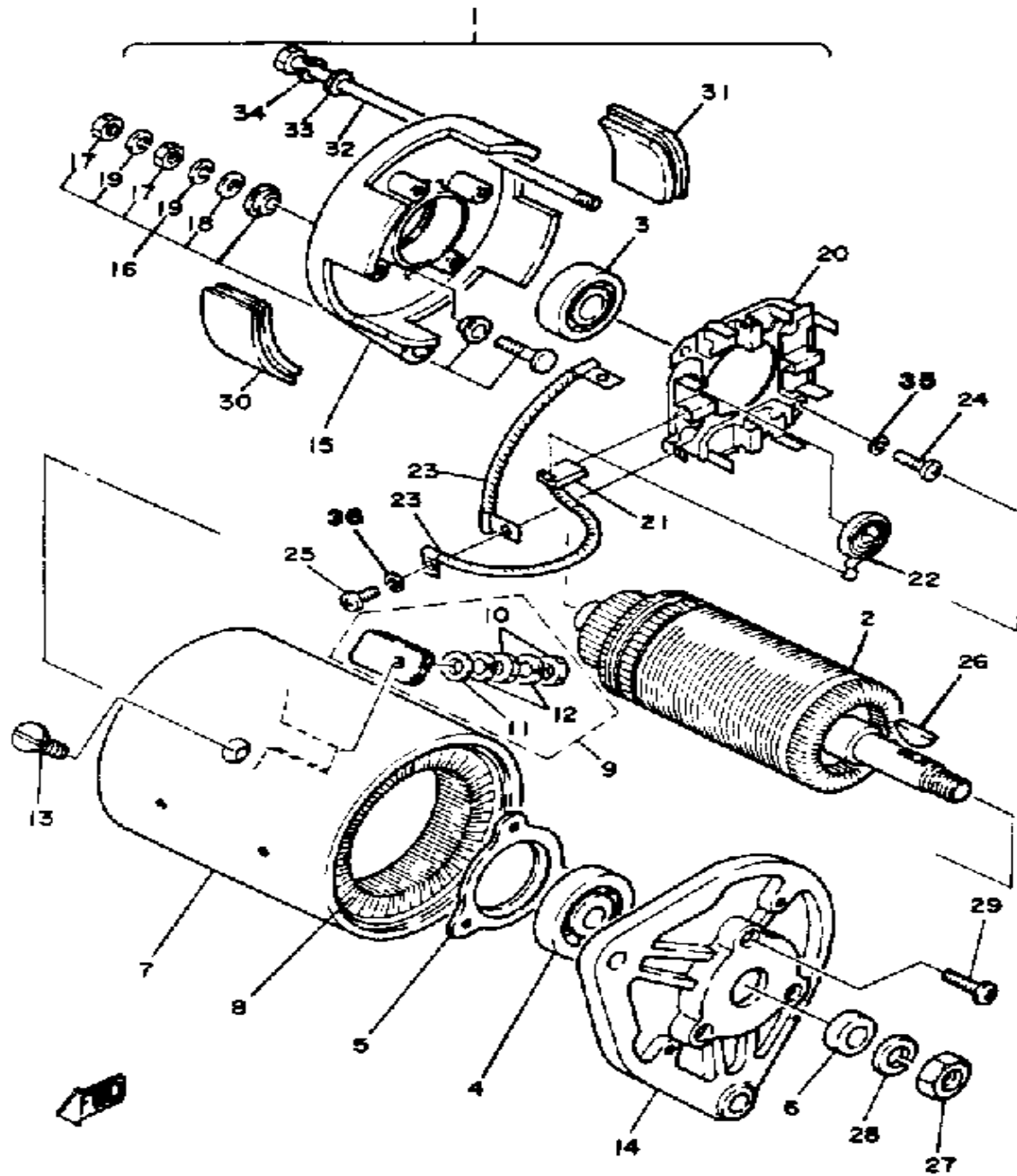
STARTER GENERATOR



| Ref. No. | Part Number | Description | Qty | Remarks |
|----------|-----------------|-----------------------------------|-----|---------|
| 1 | J10-81100-10-00 | STARTER GEN ASSEMBLY ASSY | 1 | |
| 2 | J10-81150-10-00 | . ARMATURE ASSEMBLY | 1 | |
| 3 | J10-81157-10-00 | . BEARING 1 (6202 SD) | 1 | |
| 4 | J10-81158-10-00 | . BEARING 2 (6203 SD) | 1 | |
| 5 | J10-81159-10-00 | . HOLDER, BEARING | 1 | |
| 6 | J10-81175-10-00 | . STOPPER 1 | 1 | |
| 7 | J10-81110-10-00 | . STATOR ASSEMBLY | 1 | |
| 8 | J10-81160-10-00 | . FIELD COIL ASSEMBLY | 1 | |
| 9 | J10-81148-10-00 | . SCREW | 2 | |
| 10 | 95380-06600-00 | .. NUT | 4 | |
| 11 | 92901-06600-00 | .. WASHER | 2 | |
| 12 | 92995-06100-00 | .. WASHER, SPRING | 4 | |
| 13 | J10-81146-10-00 | . SCREW | 4 | |
| 14 | J10-81165-10-00 | . BRKT, STARTER GEN 1 GENERATOR 1 | 1 | |
| 15 | J10-81166-10-00 | . BRACKET, STARTER GENERATOR | 1 | |
| 16 | J10-81147-10-00 | . SCREW | 2 | |
| 17 | 95380-06600-00 | .. NUT | 2 | |
| 18 | 92901-06600-00 | .. WASHER | 2 | |
| 19 | 92995-06100-00 | .. WASHER, SPRING | 4 | |
| 20 | J10-81119-10-00 | . BRUSH HOLDER ASSEMBLY | 1 | |
| 21 | J10-81111-10-00 | . BRUSH | 4 | |
| 22 | J10-81113-10-00 | . SPRING, BRUSH | 4 | |
| 23 | J10-81115-10-00 | . WIRE, LEAD | 2 | |
| 24 | 98580-05016-00 | . SCREW, PAN HEAD | 2 | |
| 25 | 98580-04010-00 | . SCREW, PAN HEAD | 4 | |
| 26 | J38-81163-10-00 | . KEY | 1 | |
| 27 | 95301-14700-00 | . NUT | 1 | |

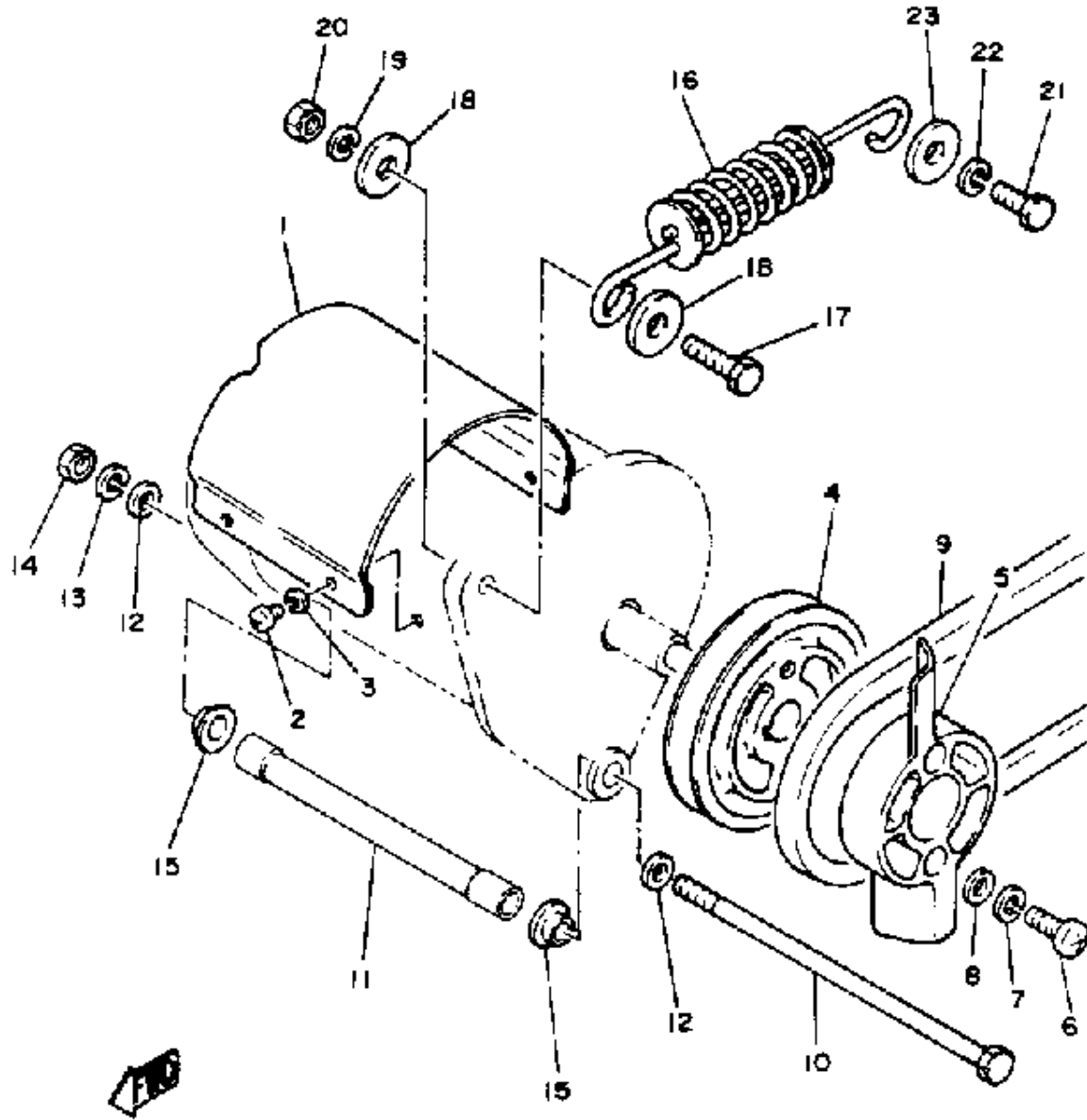
CONTINUED ON NEXT FRAME ►

STARTER GENERATOR



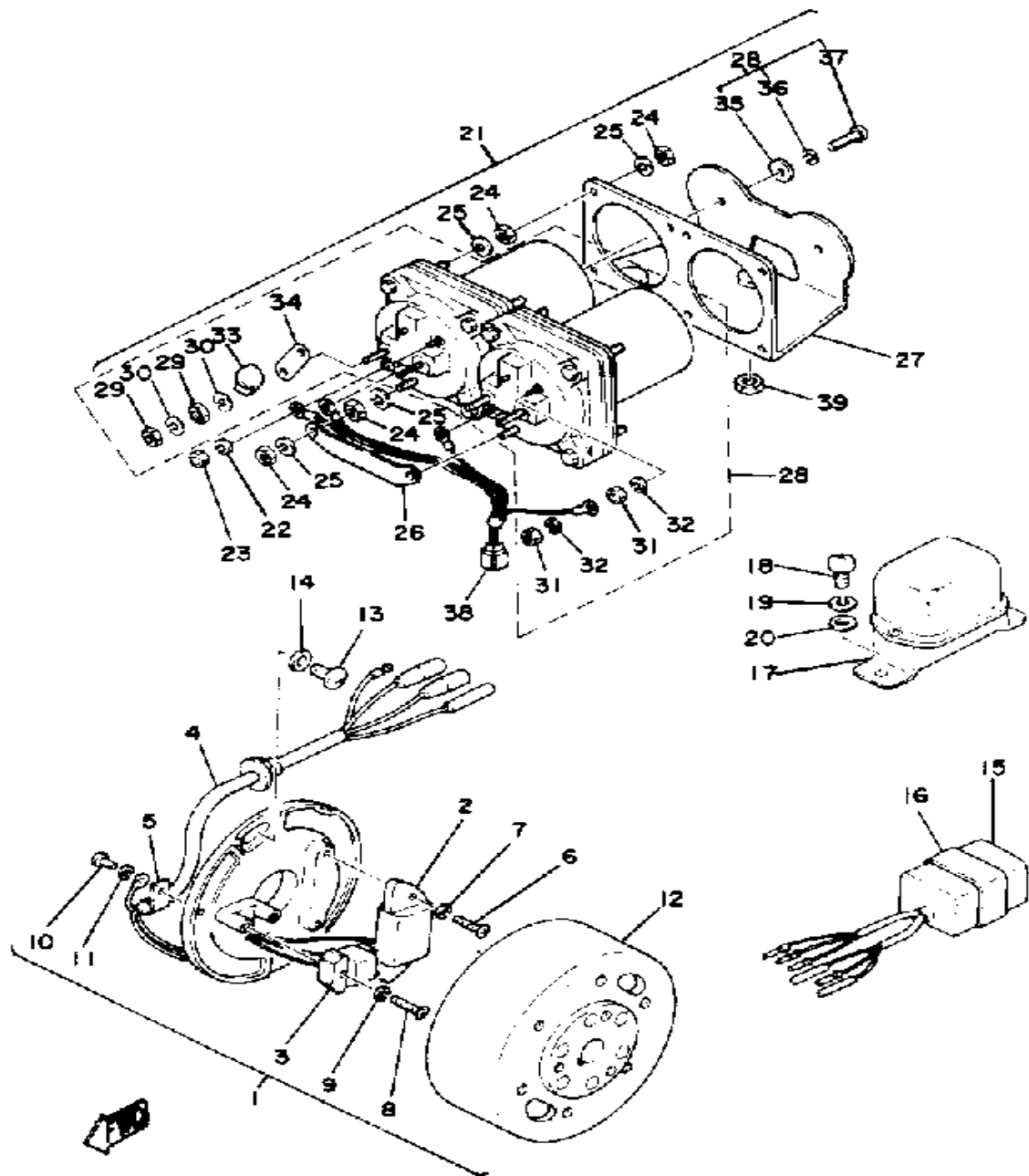
| Ref. No. | Part Number | Description | Qty | Remarks |
|----------|-----------------|-------------------------|-----|---------|
| 28 | 92901-14100-00 | . WASHER, SPRING | 1 | |
| 29 | 98501-05018-00 | . SCREW, PAN HEAD | 3 | |
| 30 | J10-81129-10-00 | . COVER, BRUSH | 3 | |
| 31 | J10-81129-10-00 | . COVER, BRUSH | 1 | |
| 32 | J10-81145-10-00 | . SCREW | 2 | |
| 33 | 92901-06600-00 | . WASHER | 2 | |
| 34 | 92995-06100-00 | . WASHER, SPRING | 2 | |
| 35 | 92990-05100-00 | . WASHER, SPRING | 2 | |
| 36 | 92901-04100-00 | . WASHER, SPRING | 4 | |

STARTER PULLEY



| Ref. No. | Part Number | Description | Qty | Remarks |
|----------|-----------------|--------------------------|-----|---------|
| 1 | J17-87183-00-00 | INSULATOR, GEN | 1 | |
| 2 | 98580-05010-00 | SCREW, PAN HEAD | 4 | |
| 3 | 92990-05100-00 | WASHER, SPRING | 4 | |
| 4 | J10-81161-01-00 | PULLEY | 1 | |
| 5 | J10-87172-00-00 | FAN, GENERATOR | 1 | |
| 6 | 98580-06020-00 | SCREW | 2 | |
| 7 | 92995-06100-00 | WASHER, SPRING | 2 | |
| 8 | 92901-06600-00 | . WASHER | 2 | |
| 9 | J10-81173-00-XX | BELT | 1 | |
| 10 | 90105-08326-00 | BOLT, WASHER BASED | 1 | |
| 11 | 90387-08683-00 | COLLAR | 1 | |
| | J10-21647-00-00 | BAND 0 1 | 1 | 877~ |
| 12 | 92990-08200-00 | WASHER, PLAIN | 2 | |
| 13 | 92990-08100-00 | WASHER | 2 | |
| 14 | 95333-08600-00 | . NUT | 1 | |
| 15 | 90387-08687-00 | COLLAR | 2 | |
| 16 | J10-81170-00-00 | TENSIONER ASSEMBLY | 1 | |
| 17 | 97313-08030-00 | BOLT, HEXAGON | 1 | |
| 18 | 90201-08107-00 | WASHER, PLATE | 2 | |
| 19 | 92990-08100-00 | WASHER | 1 | |
| 20 | 95333-08600-00 | NUT | 1 | |
| 21 | 97313-08020-00 | BOLT, HEXAGON | 1 | |
| 22 | 92990-08100-00 | WASHER | 1 | |
| 23 | 90201-08107-00 | WASHER, PLATE | 1 | |

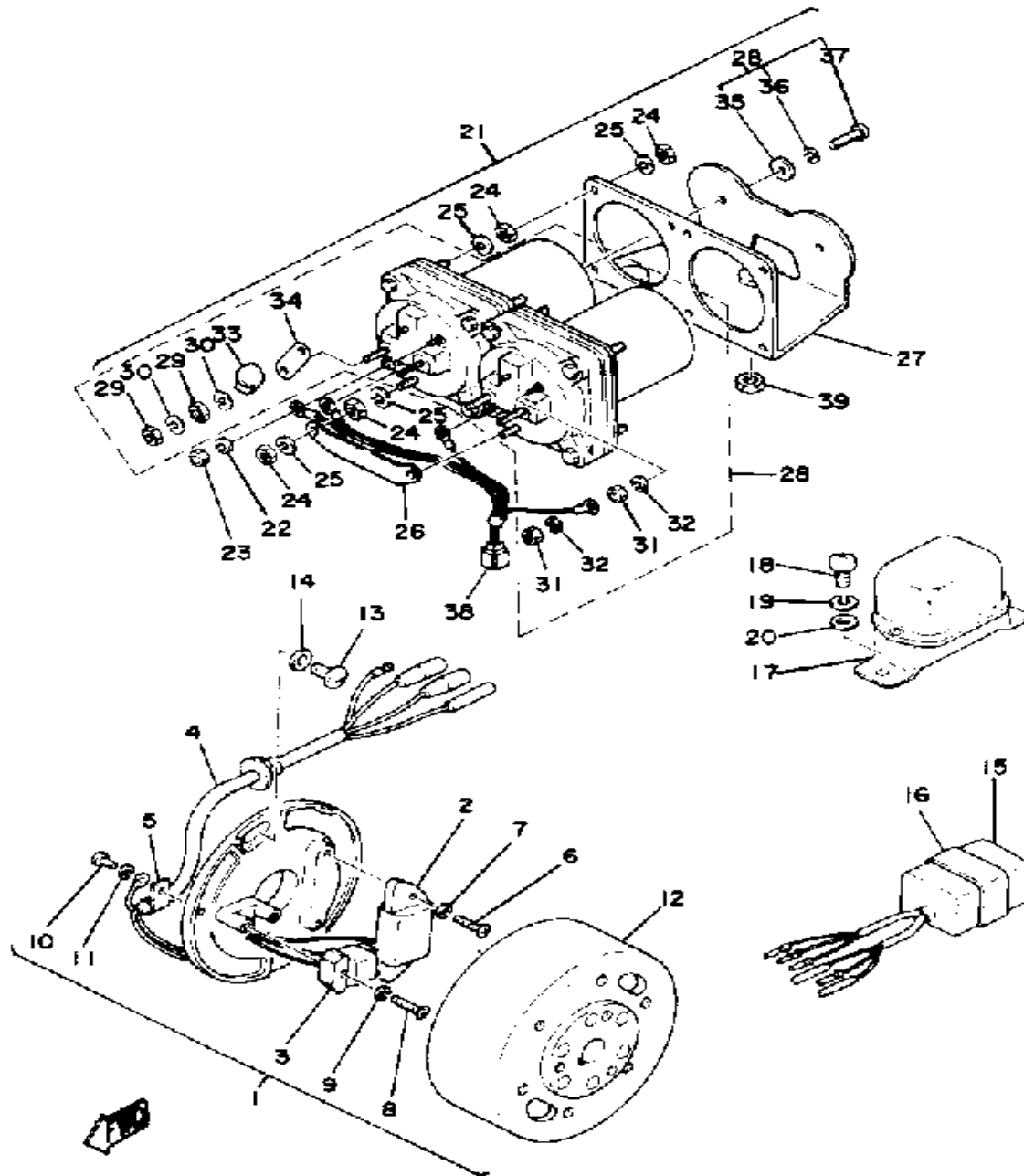
C - D - I - MAGNETO



| Ref. No. | Part Number | Description | Qty | Remarks |
|----------|-----------------|-------------------------------------|-----|---------|
| 1 | J10-85500-20-00 | CDI MAGNETO ASSEMBLY ... | 1 | |
| 2 | 8G8-85511-20-00 | . COIL SOURCE 1 | 1 | |
| 3 | J10-85580-20-00 | . COIL, PULSER | 1 | |
| 4 | J10-85515-20-00 | . LEAD WIRE ASSEMBLY | 1 | |
| 5 | 104-81328-20-00 | . CLAMP | 2 | |
| 6 | 98580-05020-00 | . SCREW, PAN HEAD | 2 | |
| 7 | 92990-05100-00 | . WASHER, SPRING | 2 | |
| 8 | 98511-04020-00 | . SCREW, PAN HEAD | 2 | |
| 9 | 92901-04100-00 | . WASHER, SPRING | 2 | |
| 10 | 98580-04008-00 | . SCREW, PAN HEAD | 1 | |
| 11 | 92901-04100-00 | . WASHER, SPRING | 1 | |
| 12 | J10-85550-20-00 | . ROTOR ASSEMBLY | 1 | |
| 13 | 98903-06014-00 | SCREW, BIND | 2 | |
| 14 | 90201-06043-00 | WASHER, PLATE | 2 | |
| 15 | J10-85540-20-00 | CDI UNIT ASSEMBLY | 1 | |
| 16 | 2A7-85546-00-00 | BAND | 1 | |
| 17 | J10-81910-10-00 | VOLTAGE REG ASSEMBLY ASS'Y | 1 | |
| 18 | 98503-06014-00 | SCREW, PAN HEAD (92502-06016) | 1 | 705~ |
| | 98503-06014-00 | SCREW, PAN HEAD (92502-06016) | 2 | |
| 19 | 92995-06100-00 | WASHER, SPRING | 2 | |
| 20 | 92901-06600-00 | WASHER | 1 | 705~ |
| | 92901-06600-00 | WASHER | 2 | |
| 21 | J10-81940-01-00 | STARTER SWITCH ASSEMBLY 01 | 1 | |
| | J10-81940-01-00 | STARTER SWITCH ASSEMBLY 01 | 1 | 705~ |
| 22 | 92901-04100-00 | . WASHER, SPRING | 2 | |

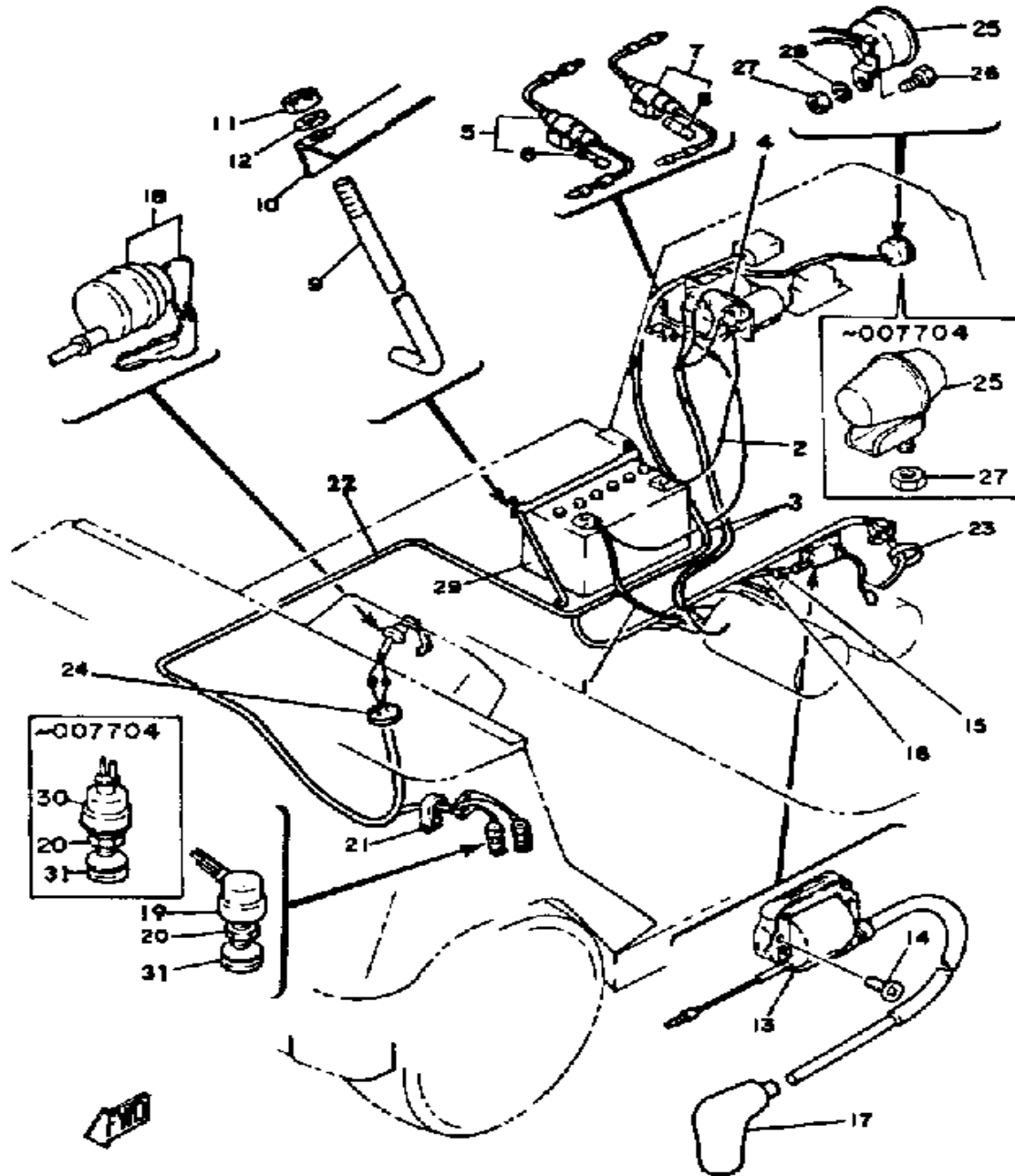
CONTINUED ON NEXT FRAME ➤

C - D - I - MAGNETO



| Ref. No. | Part Number | Description | Qty | Remarks |
|----------|-----------------|-----------------------------|-----|---------|
| 23 | 95301-04700-00 | . NUT (95302-04700) | 2 | |
| 24 | 95380-06700-00 | . NUT | 10 | |
| 25 | 92995-06100-00 | . WASHER, SPRING | 10 | |
| 26 | J10-81924-01-00 | . BAR, SHORT 0 1 | 1 | |
| | J10-81924-01-00 | . BAR, SHORT 0 1 | 1 | 705~ |
| 27 | J10-81945-00-00 | . PLATE, SWCH FITTING | 1 | |
| 28 | J10-81951-00-00 | . RELAY | 2 | |
| 29 | 95380-06700-00 | .. NUT | 10 | |
| 30 | 92995-06100-00 | .. WASHER, SPRING | 9 | |
| 31 | 95301-04700-00 | .. NUT (95302-04700) | 2 | |
| 32 | 92901-04100-00 | .. WASHER, SPRING | 2 | |
| 33 | J10-81916-00-00 | .. COVER, TERMINAL | 1 | |
| 34 | J10-81925-00-00 | .. TERMINAL | 1 | |
| 35 | J10-81923-00-00 | .. WASHER | 2 | |
| 36 | 92990-05100-00 | .. WASHER, SPRING | 2 | |
| 37 | 98580-05020-00 | .. SCREW, PAN HEAD | 2 | |
| 38 | J10-81949-00-00 | . WIRE, LEAD | 1 | |
| 39 | 95712-08300-00 | NUT, LOCK | 3 | |

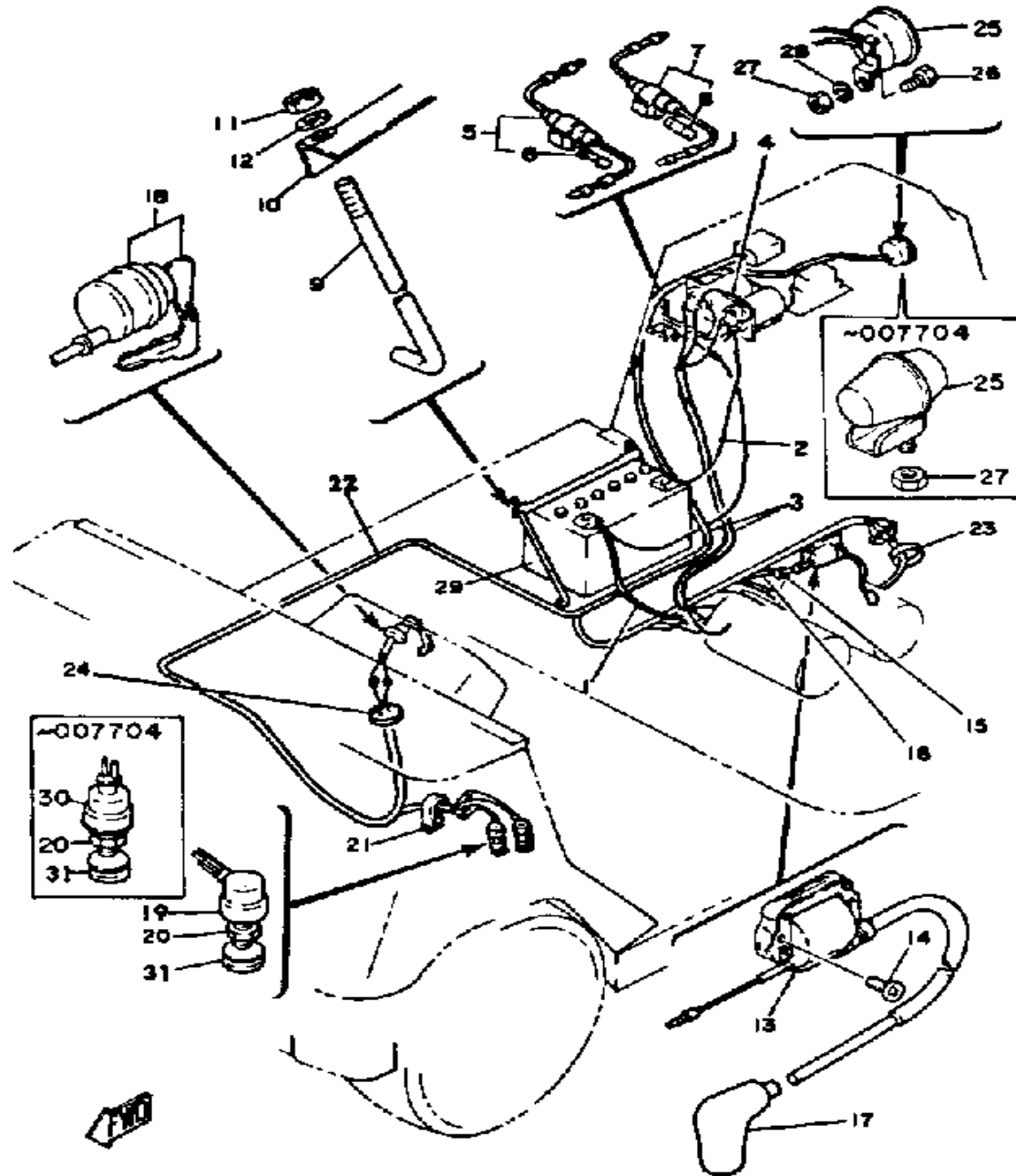
ELECTRICAL 1



| Ref. No. | Part Number | Description | Qty | Remarks |
|----------|-----------------|--|-----|-----------------------|
| 1 | J10-82115-00-00 | WIRE, PLUS LEAD | 1 | |
| 2 | J10-82116-00-00 | WIRE, MINUS LEAD | 1 | |
| 3 | J10-82105-00-00 | WIRE HARNESS | 1 | |
| 4 | J10-82117-00-00 | WIRE, LEAD | 1 | |
| 5 | 1E6-82150-00-00 | FUSE HOLDER ASSEMBLY ... | 1 | |
| 6 | 1E6-82151-00-00 | . FUSE (10A) | 2 | |
| 7 | 1E6-82150-00-00 | FUSE HOLDER ASSEMBLY ... | 1 | |
| 8 | 1E6-82151-00-00 | . FUSE (10A) | 2 | 705~ |
| 9 | J10-82133-00-00 | SCREW, FITTING | 2 | |
| 10 | J55-H2136-00-00 | PLATE, BATTERY | 1 | |
| 11 | 90175-06004-00 | NUT, WING | 2 | |
| | 95380-06600-00 | NUT | 2 | 593~ |
| 12 | 92990-06200-00 | WASHER | 2 | |
| 13 | 8H4-82310-20-00 | IGNITION COIL ASSEMBLY ... | 1 | |
| 14 | 98511-06025-00 | SCREW PAN HEAD (92501-06025) | 2 | |
| 15 | 90465-06038-00 | CLAMP | 2 | |
| 16 | J42-82318-00-00 | WIRE, SUB-LEAD | 1 | |
| | J42-82318-00-00 | WIRE, SUB-LEAD | 2 | 705~ |
| 17 | 512-82370-10-00 | PLUG CAP ASSEMBLY | 1 | W/NOISE SUPPRESSOR |
| 18 | J17-82508-20-00 | MAIN SWITCH ASSEMBLY ... | 1 | |
| 19 | J10-82550-00-00 | STOP SWITCH ASSEMBLY ... | 1 | |
| | J10-82550-03-00 | STOP SWITCH ASSEMBLY (J10-82550-02) 0 1 | 1 | 705~ |
| 20 | 95303-10700-00 | NUT | 1 | 705~ |
| | 95303-10700-00 | NUT | 2 | |
| 21 | 90465-08028-00 | CLAMP | 1 | |
| 22 | J10-82590-21-00 | WIRE HARNESS ASSEMBLY (J10-82590-20) | 1 | |

CONTINUED ON NEXT FRAME ►

ELECTRICAL 1



| Ref. No. | Part Number | Description | Qty | Remarks |
|----------|-----------------|--------------------------|-----|---------|
| 23 | 437-83936-01-00 | BAND, SWITCH CORD | 1 | |
| 24 | 25G-83936-01-00 | BAND, SWITCH CORD | 1 | |
| 25 | J10-83383-02-00 | BUZZER | 1 | 705~ |
| | J18-83383-00-00 | BUZZER | 1 | |
| 26 | 97301-06014-00 | BOLT, HEXAGON | 1 | 705~ |
| 27 | 95380-06700-00 | NUT | 1 | 705~ |
| | 95701-06300-00 | NUT, NYLON | 1 | |
| 28 | 92995-06100-00 | WASHER, SPRING | 1 | 705~ |
| 29 | *--- | FRONT WHEEL ASSEMBLY .. | 1 | LM |
| 30 | J10-82530-02-00 | STOP SWITCH ASSEMBLY ... | 1 | |
| 31 | J10-82532-00-00 | CAP, RUBBER | 2 | |
| 19-1 | J10-82532-00-00 | CAP, RUBBER | 1 | |