



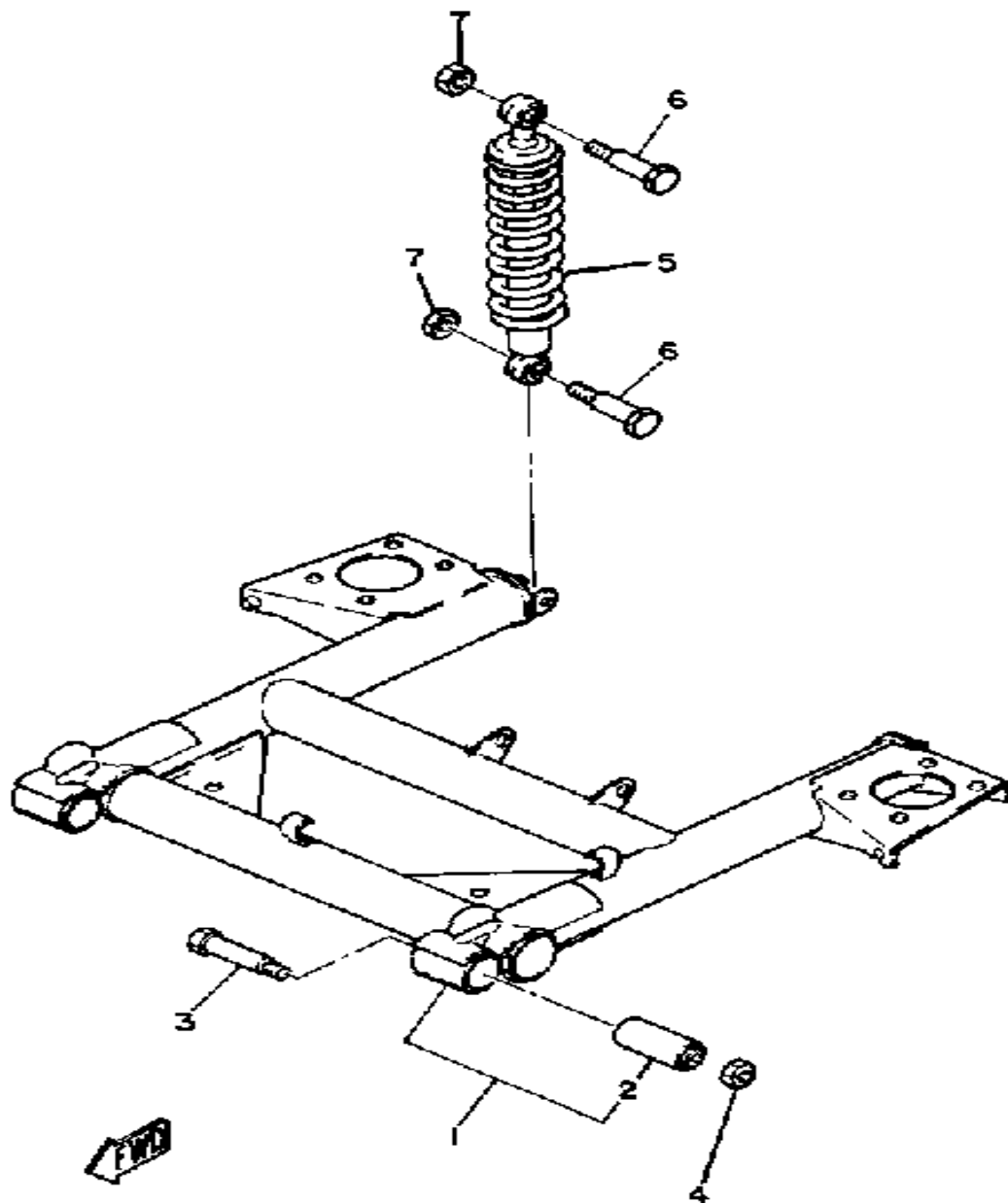
YAMAHA

GENUINE

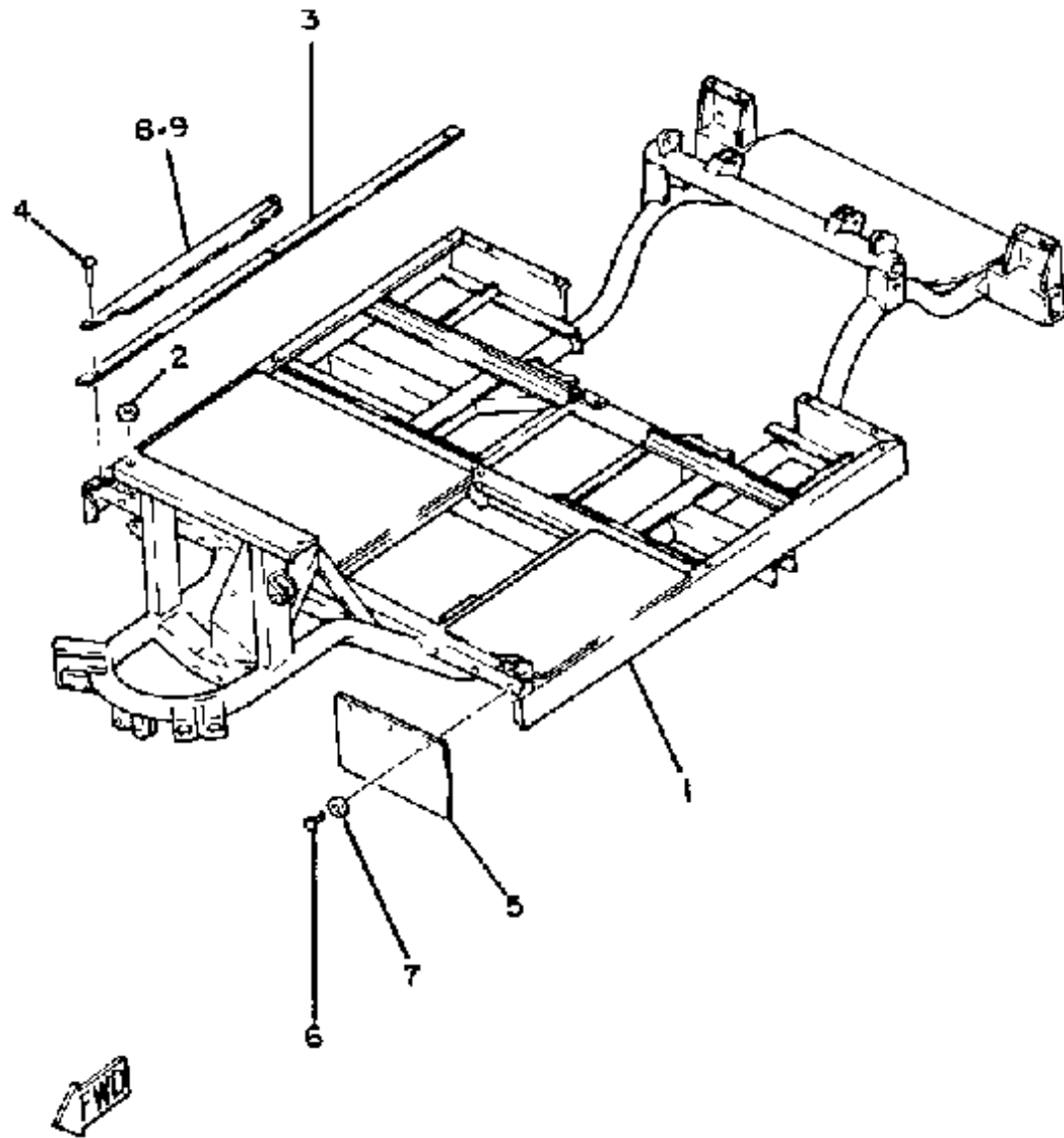
PARTS CATALOGUE

GOLF CAR

REAR SHOCKS



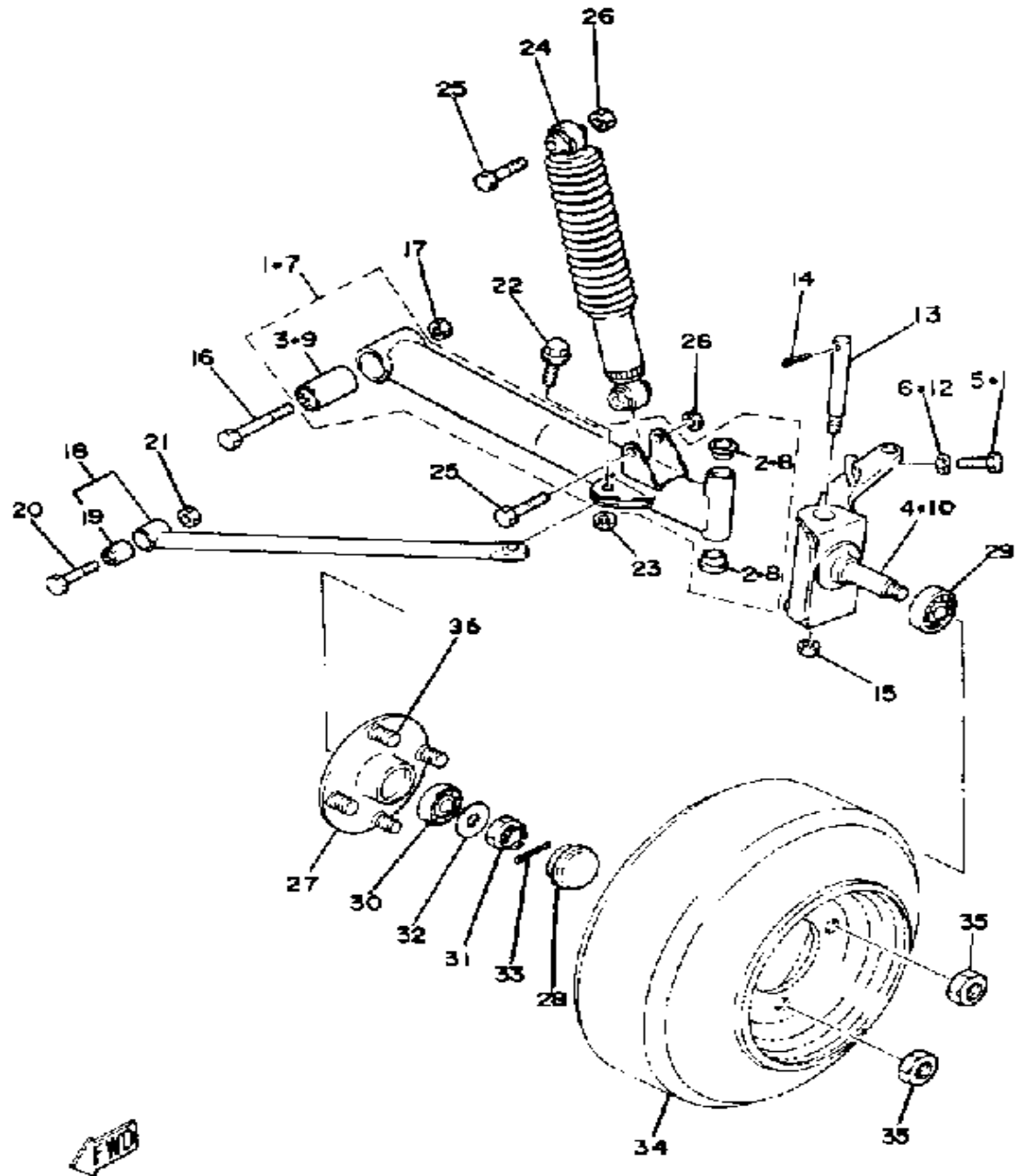
Ref. No.	Part Number	Description	Qty	Remarks
1	J14-W2211-00-00	REAR ARM	1	
2	J10-22123-00-00	. BUSH 1	2	
3	90101-10419-00	BOLT	2	
4	95612-10100-00	NUT, BIND	2	
5	J14-22210-00-00	SHK/ABS ASSEMBLY, REARASSEMBLY, REAR	2	
6	97313-10050-00	BOLT, HEXAGON (676)	4	
7	95601-10100-00	NUT, U (95602-10100-00)	4	



FRAME

Ref. No.	Part Number	Description	Qty	Remarks
1	(J14-22501-00-98)	FRAME	1	LOW GLOSS BLK
2	90202-08111-00	WASHER, PLATE	5	
3	J10-78249-00-00	TRIM, FLOOR	2	
4	90267-48086-00	RIVET, BLIND	6	
5	J10-78187-00-00	FLAP, FRONT FENDER	2	
6	90267-40054-00	RIVET, BLIND	6	
	90267-40076-00	RIVET, BLIND	6	
7	90201-05034-00	WASHER, PLATE	6	
8	J10-78181-00-00	PLATE 1 (R.H.)	1	
9	J10-78182-00-00	PLATE 2 (L.H.)	1	

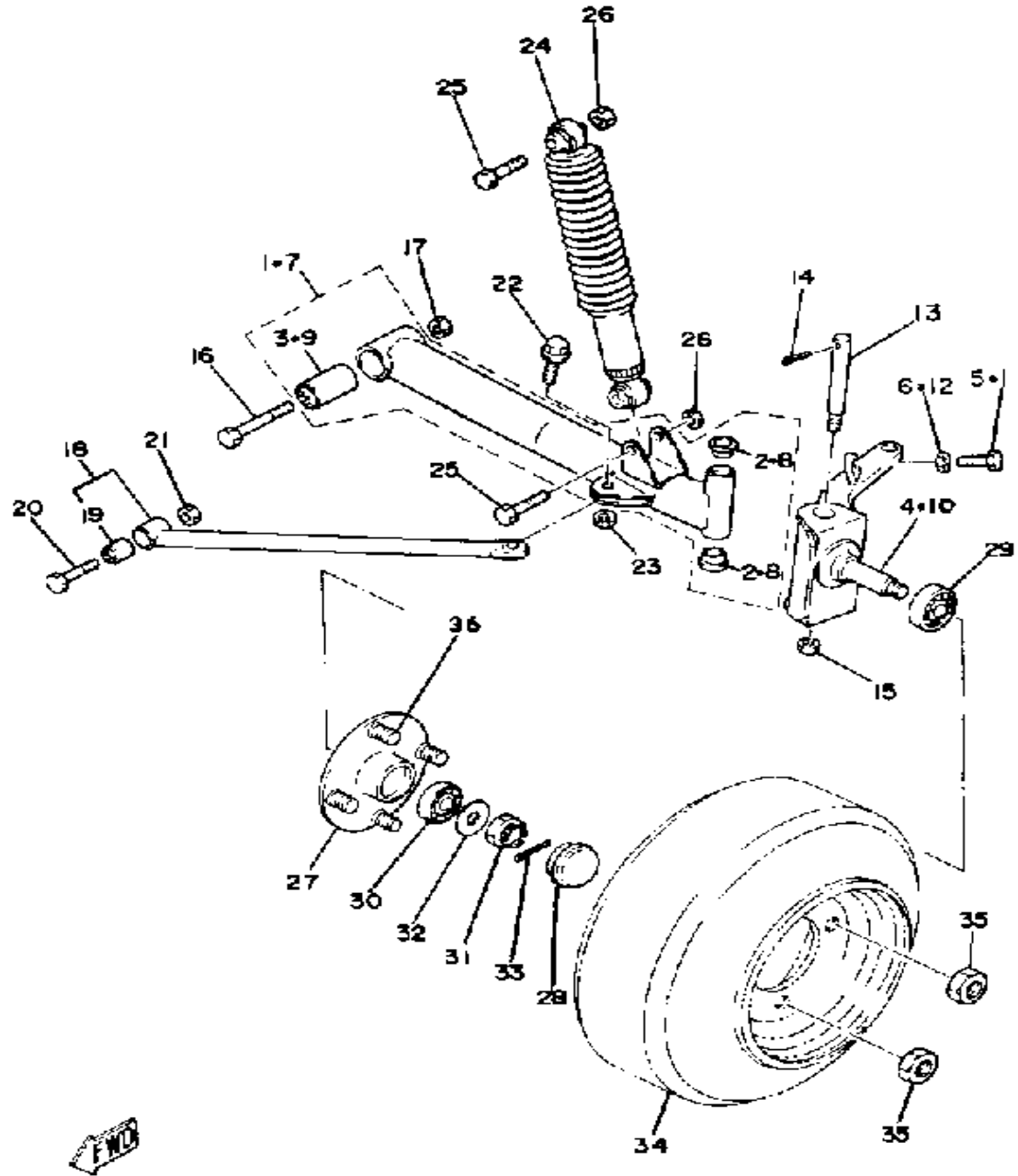
FRONT SUSPENSION - WHEEL



Ref. No.	Part Number	Description	Qty	Remarks
1	J10-W2351-01-00	FRONT LOWER ARM L (L.H)	1	
2	90381-15032-00	. BUSH, SOLID	2	
3	J10-23526-00-00	. BUSH	1	
4	J10-23510-02-00	KNUCKLE, STEERING 1	1	
5	97313-08030-00	BOLT, HEXAGON	1	
6	95303-08700-00	NUT	1	
7	J10-W2352-01-00	FRONT LOWER ARM R (R.H)	1	
8	90381-15032-00	. BUSH, SOLID	2	
9	J10-23526-00-00	. BUSH	1	
10	J10-23520-02-00	KNUCKLE, STEERING 2	1	
11	97313-08030-00	BOLT, HEXAGON	1	
12	95303-08700-00	NUT	1	
13	J10-23516-02-00	KING PIN, STRG KNKL	2	831
	J10-23516-02-00	KING PIN, STRG KNKL	2	T 001830
14	91401-30030-00	PIN, COTTER	2	831
15	95601-12100-00	NUT, U	2	
	95712-12300-00	2	2	831
16	90101-10418-00	BOLT	2	
17	95612-10100-00	NUT, BIND	2	
18	J10-W2355-00-00	ROD, TENSION	2	
19	J10-23583-01-00	. BUSH	1	
20	90101-08245-00	BOLT	2	
	90101-08497-00	BOLT 0 2	2	775~
21	95611-08100-00	NUT, U	2	
22	90105-10007-00	BOLT, WASHER BASED	2	
23	95701-10300-00	NUT, FLANGE (95702-10300)	2	
24	J14-23350-00-00	SHOCK ABSORBER ASSEMBLY	2	
25	97313-10050-00	BOLT, HEXAGON (676)	4	

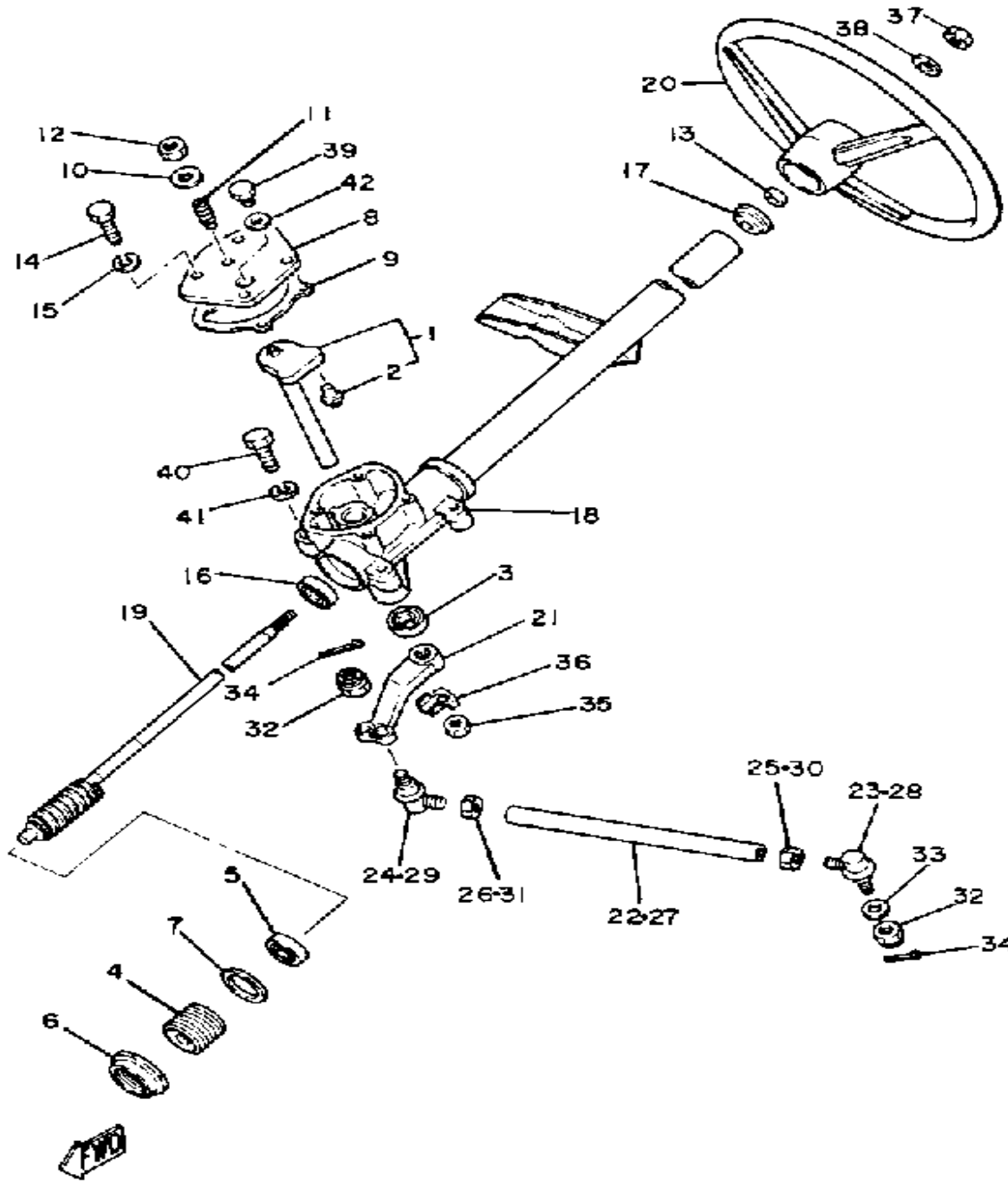
CONTINUED ON NEXT FRAME ►

FRONT SUSPENSION - WHEEL



Ref. No.	Part Number	Description	Qty	Remarks
26	95601-10100-00	NUT, U (95602-10100-00)	4	
27	J10-W2511-01-00	HUB, FRONT	2	
28	J10-25118-00-00	COVER, HUB DUST	2	
29	93306-00441-00	BEARING (89A) (B6004RS)	2	
30	93306-20310-00	BEARING	2	
31	95301-14900-00	NUT, SLOTTED	2	
32	90201-142M6-00	WASHER, PLATE	2	
33	91401-30030-00	PIN, COTTER	2	
34	*---	FRONT WHEEL ASSEMBLY	2	
35	90179-12262-00	NUT	8	
36	90114-12004-00	BOLT, RIBBED NECK	8	

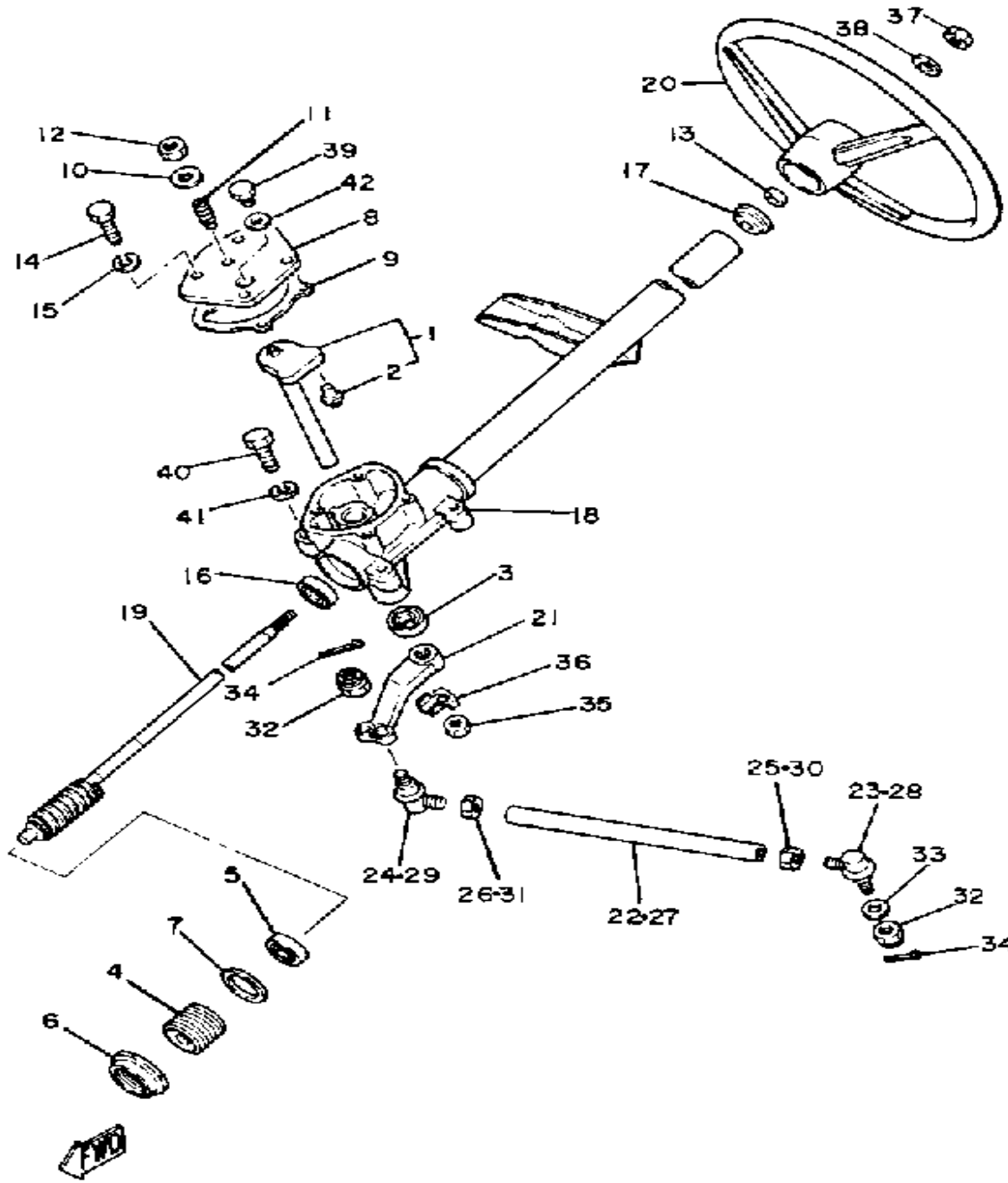
STEERING



Ref. No.	Part Number	Description	Qty	Remarks
1	J10-23816-03-00	ARM, PITTMAN (J10-23816-02)	1	
2	J10-23836-09-00	. PIN, PITMAN	2	
3	93102-22087-00	OIL SEAL	1	
4	J55-F3876-00-00	BOLT	1	
5	93332-00010-00	BEARING	1	
6	J10-23877-00-00	NUT	1	
7	J10-23444-00-00	WASHER	1	
8	J10-23818-00-00	COVER, STEERING	1	
9	J10-23462-00-00	SEAL, STEERING	1	
10	90201-08087-00	WASHER, PLATE	1	
11	J10-23459-00-00	BOLT	1	
12	90170-08024-00	NUT, HEX.	1	
13	93104-15005-00	OIL SEAL, SO-TYPE	1	
14	97313-08020-00	BOLT, HEXAGON	4	
15	92990-08100-00	WASHER	4	
16	93332-00010-00	BEARING	1	
17	J10-23814-00-00	HOLDER, HANDLE UPR	1	
18	93102-22087-00	. OIL SEAL	1	
	99999-01397-00	COLUMN STEER COMP. (J10-23811-00-9E)	1	IVORY WHITE
	J10-23811-01-9E	. COLUMN, STEERING	1	
19	J10-23840-00-00	STEERING SHAFT	1	
20	J55-F3838-00-00	WHEEL, STEERING (J10-23838-00)	1	
21	J10-23826-00-00	ARM, IDLER	1	
22	J10-23831-00-00	ROD, TIE	1	
23	J10-23841-10-00	JOINT, UNIVERSAL 1	1	
24	J10-23845-10-00	JOINT, UNIVERSAL 2	1	
25	90170-12054-00	NUT	1	

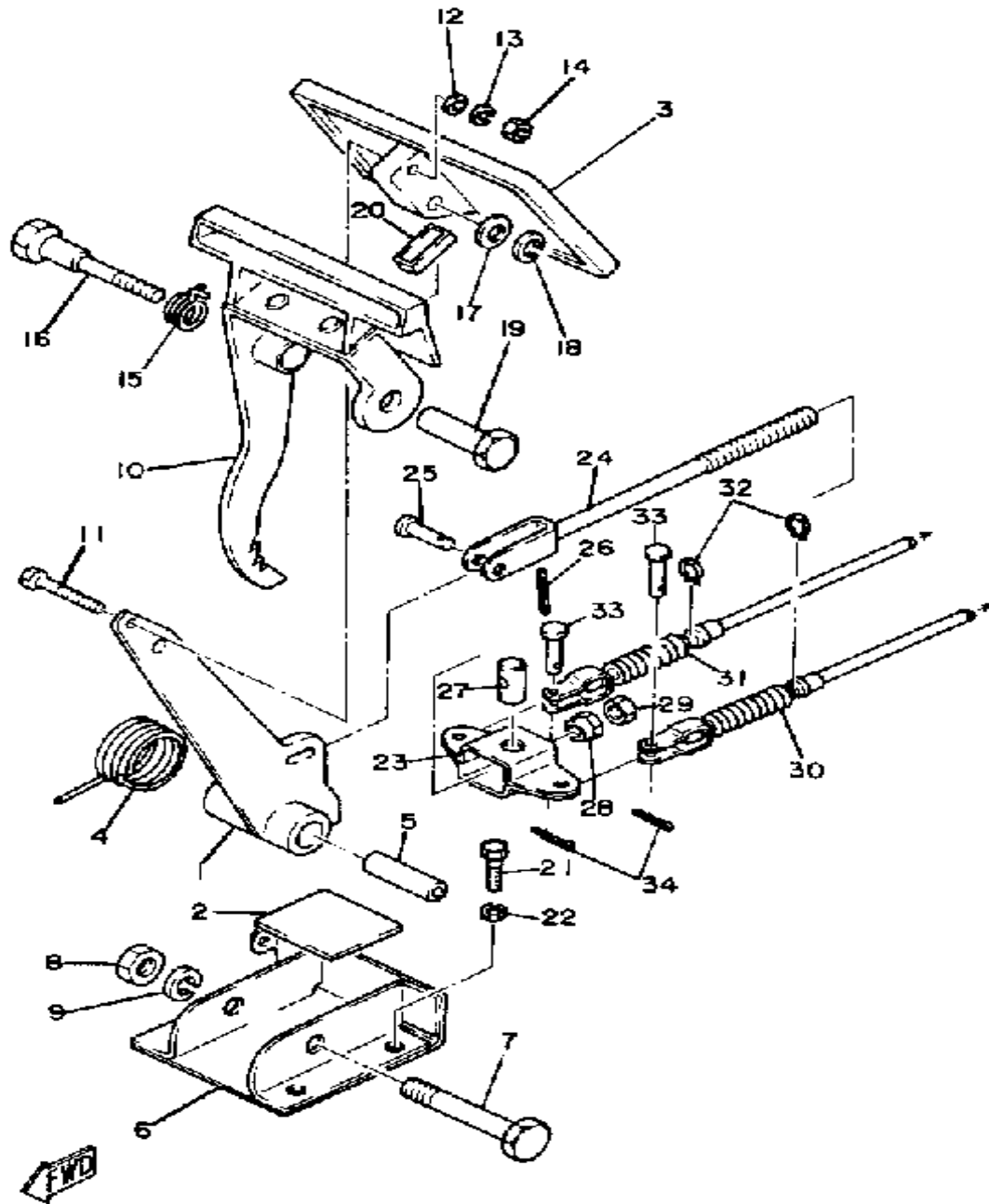
CONTINUED ON NEXT FRAME ►

STEERING



Ref. No.	Part Number	Description	Qty	Remarks
26	90170-12055-00	NUT	1	
27	J10-23831-00-00	ROD, TIE	1	
28	J10-23841-10-00	JOINT, UNIVERSAL 1	1	
29	J10-23845-10-00	JOINT, UNIVERSAL 2	1	
30	90170-12054-00	NUT	1	
31	90170-12055-00	NUT	1	
32	90171-12023-00	NUT, CASTLE	4	
33	90201-12588-00	WASHER, PLATE	2	
34	91401-30030-00	PIN, COTTER	4	
35	95701-16300-00	NUT, FLANGE	1	
36	90215-16161-00	WASHER, LOCK	1	
37	95301-12700-00	NUT (95302-12700)	1	
38	92990-12200-00	WASHER, PLAIN	1	
39	90340-14029-00	PLUG, STRAIGHT SCREW	1	
40	97313-10050-00	BOLT, HEXAGON (676)	4	
41	92990-10100-00	WASHER, SPRING	4	
42	90430-14043-00	GASKET	1	

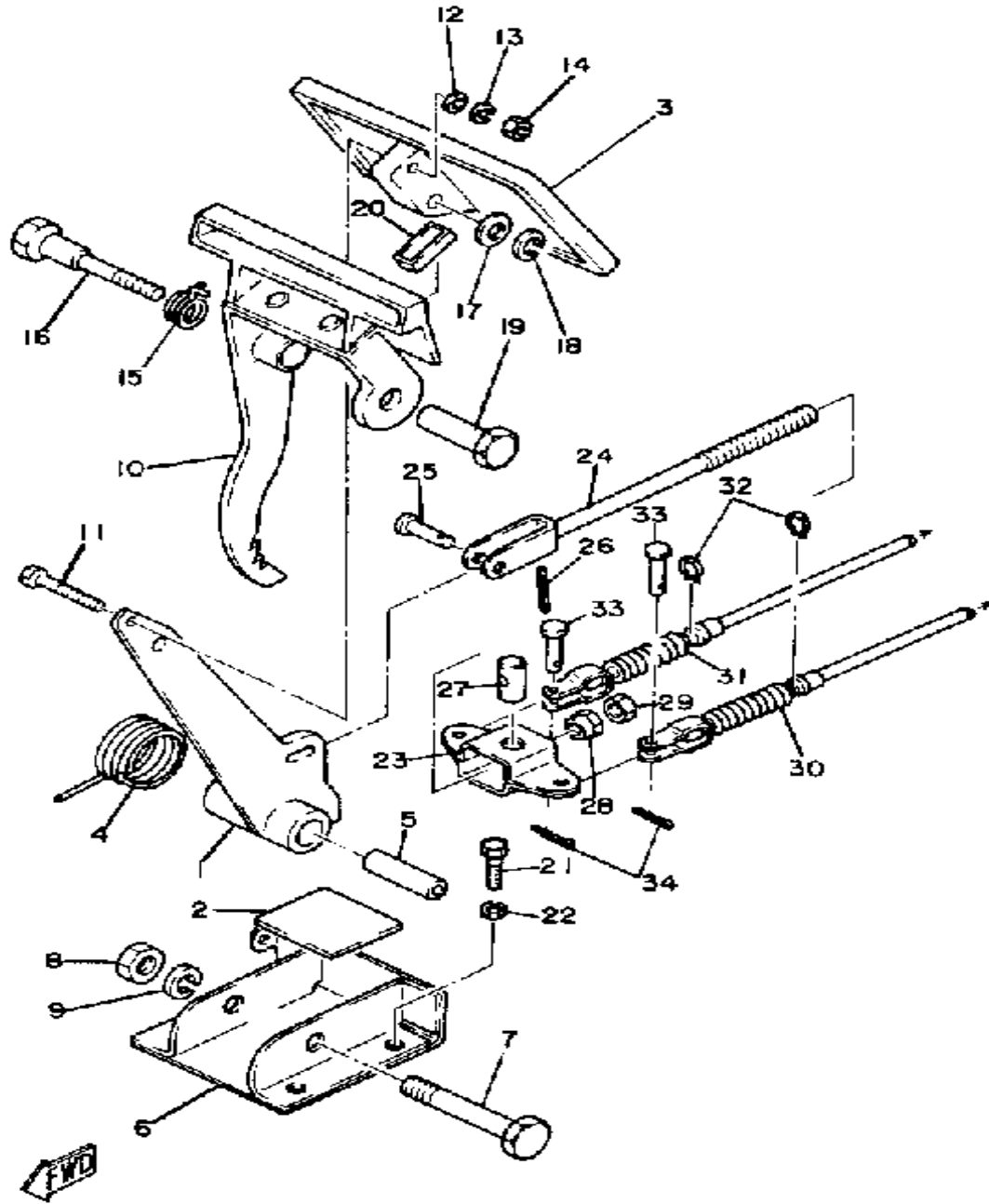
BRAKE



Ref. No.	Part Number	Description	Qty	Remarks
1	J10-27250-00-00	BRAKE ARM CMPLT (J10-27250-01)	1	
2	J10-27245-00-00	PAD, BRAKE PEDAL	1	
3	J10-27211-00-00	PEDAL, BRAKE	1	
4	90508-40384-00	SPRING, TORSION	1	
5	90387-10684-00	COLLAR	1	
6	J10-25654-00-00	BRACKET, PEDAL	1	
7	90101-10447-00	BOLT, HEX.	1	
8	95303-10600-00	NUT (95301-10600)	1	
	95601-10100-00	NUT, U (95602-10100-00)	1	
9	92990-10100-00	WASHER, SPRING	1	
10	J10-25670-01-00	PARKING PEDAL CMPL (J10-25670-00)	1	
11	97021-06030-00	BOLT	1	
12	92990-06200-00	WASHER	1	
13	92995-06100-00	WASHER, SPRING	1	
14	95380-06600-00	NUT	1	
15	90508-23497-00	SPRING, TORSION (90508-20383)	1	
16	90109-08506-00	BOLT	1	
17	92990-08200-00	WASHER, PLAIN	1	
18	92990-08100-00	WASHER	1	
19	90179-08378-00	NUT	1	
20	J10-25679-00-00	DAMPER	1	
21	97313-06016-00	BOLT, HEXAGON	4	
22	92995-06100-00	WASHER, SPRING	4	
23	J10-25681-00-00	EQUALIZER, BRAKE	1	
24	J10-25685-00-00	ROD	1	
25	91701-10022-00	PIN	1	
26	91490-30020-00	PIN, COTTER	1	

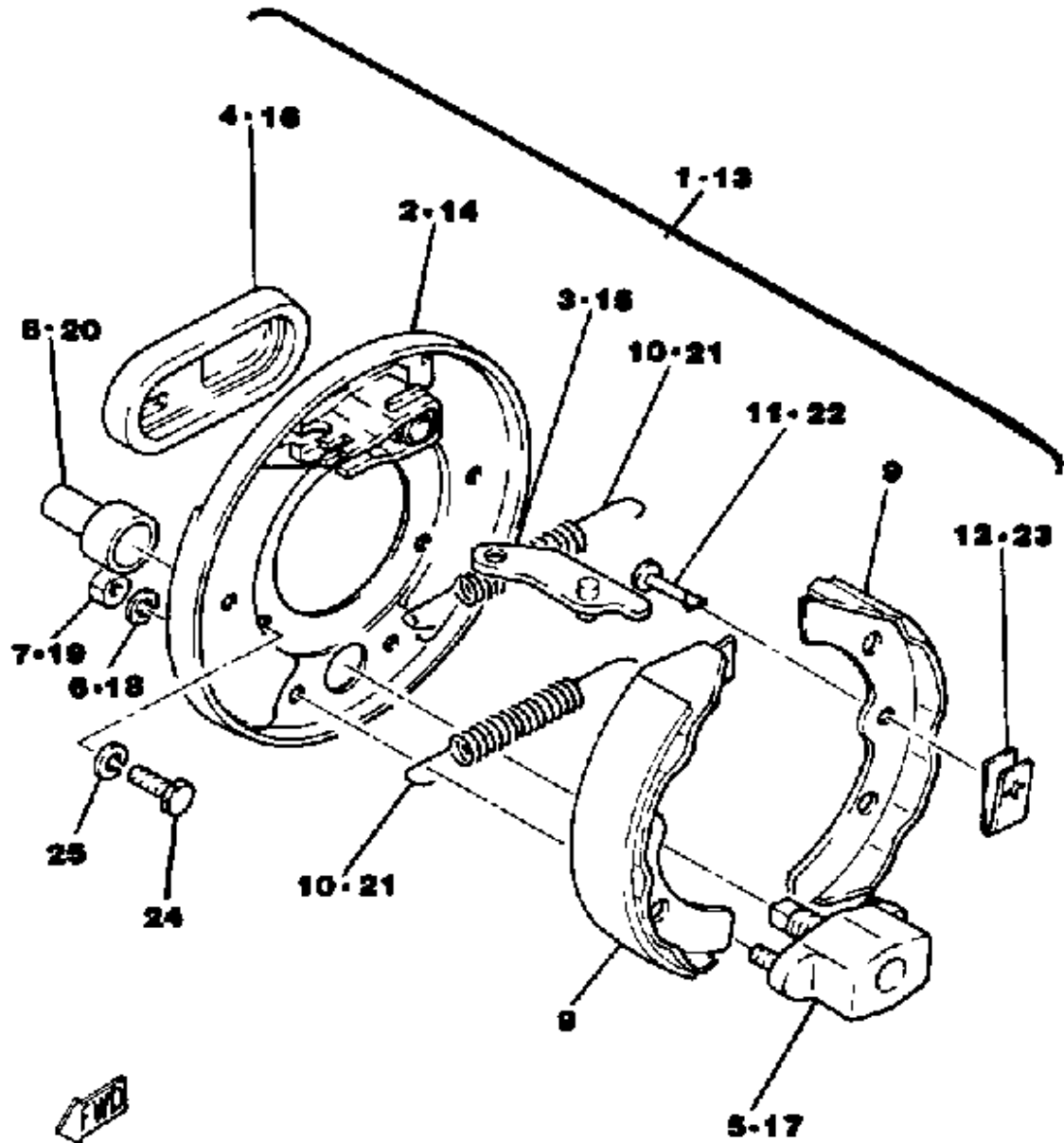
CONTINUED ON NEXT FRAME ►

BRAKE



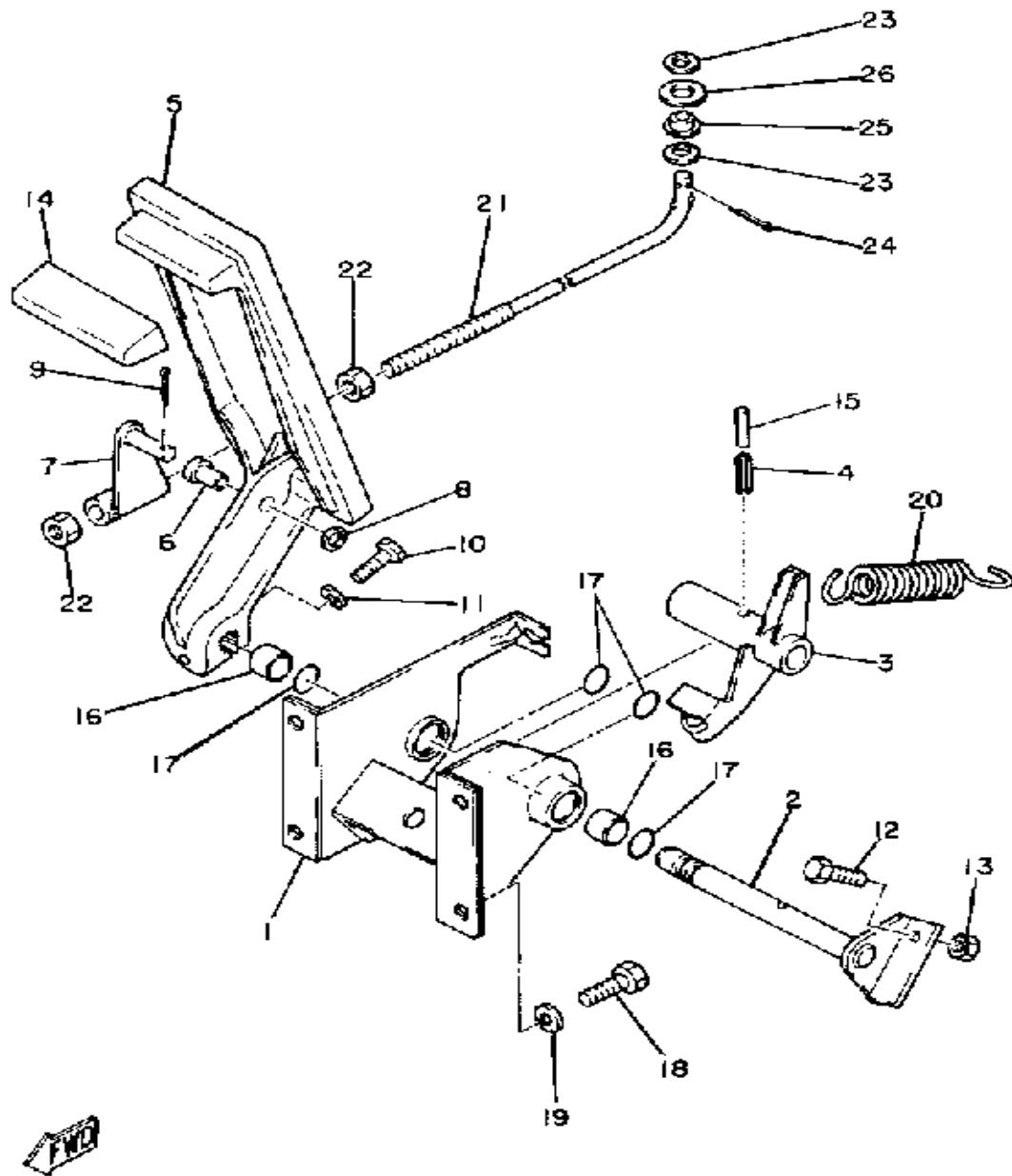
Ref. No.	Part Number	Description	Qty	Remarks
27	90249-14129-00	PIN	1	
28	90179-08261-00	NUT	1	
29	95303-08700-00	NUT	1	
30	J56-F6341-00-00	CABLE, BRAKE	1	
31	J10-26351-01-00	CABLE, BRAKE	1	
32	99001-09600-00	CIRCLIP	4	
33	91701-08018-00	PIN	4	
34	91490-25020-00	PIN, COTTER	4	

BRAKE 2



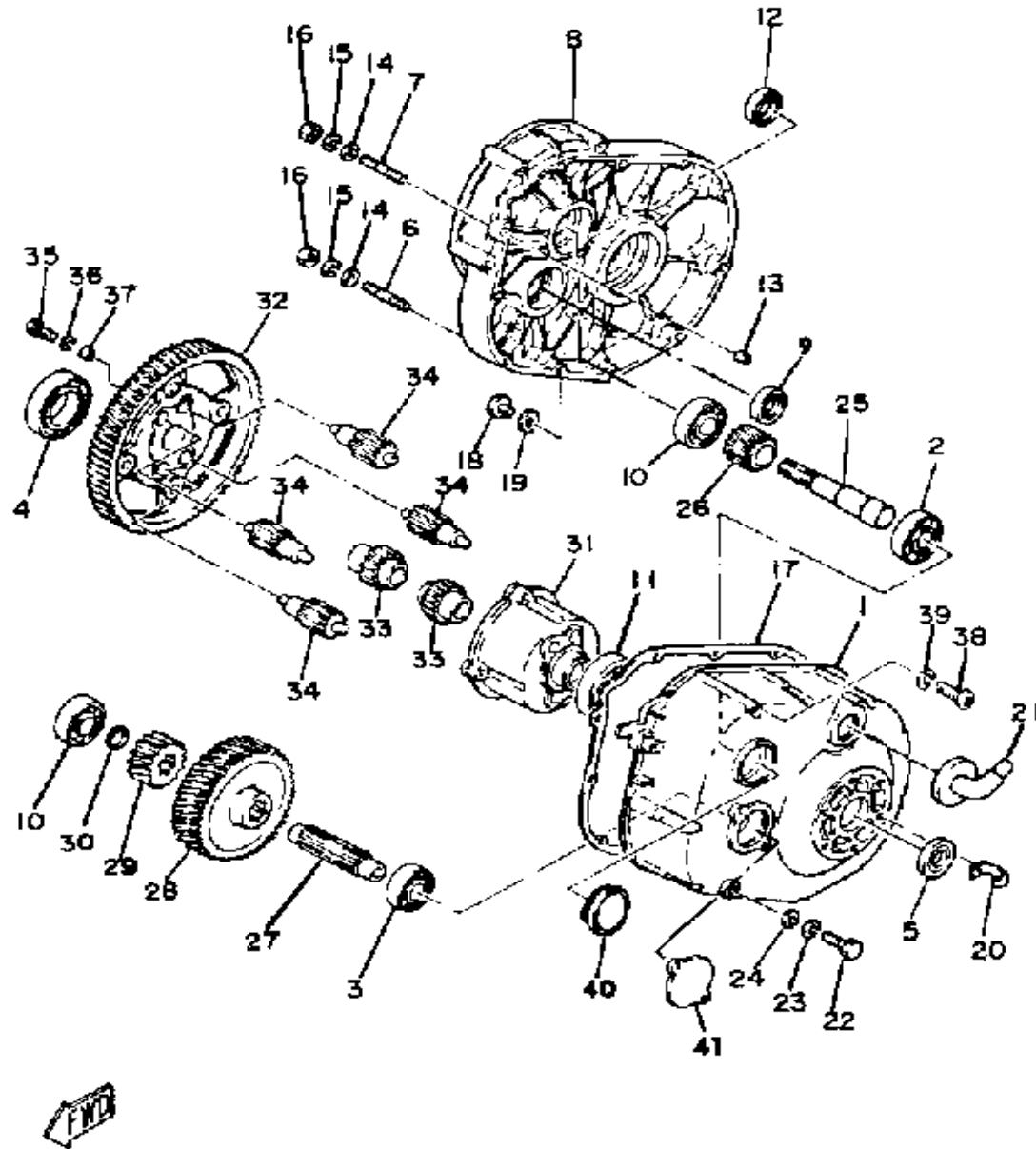
Ref. No.	Part Number	Description	Qty	Remarks
1	J17-27280-01-00	BACKING PLT ASSEMBLY 1 ..	1	
2	J10-27208-01-00	. BCKG PLT SUB ASSEMBLY 1	1	
3	J10-27207-00-00	. BRAKE LEVER	1	
4	J10-27286-00-00	. COVER, DUST	1	
5	J10-27270-00-00	. ADJUSTER ASSEMBLY	1	
6	92995-06100-00	. WASHER, SPRING	2	
7	95380-06600-00	. NUT	2	
8	J10-27285-00-00	. CAP	1	
9	J10-W2536-00-00	. BRAKE SHOE SET	2	
10	90506-26191-00	. SPRING, TENSION	2	
11	J10-27282-00-00	. PIN, SHOE HOLD DOWN	2	
12	J10-27281-00-00	. SPRING, SHOE CLAMP	2	
13	J17-27290-01-00	BACKING PLT ASSEMBLY 2 ..	1	
14	J10-27209-01-00	. BCKG PLT SUB ASSEMBLY 2	1	
15	J10-27207-00-00	. BRAKE LEVER	1	
16	J10-27286-00-00	. COVER, DUST	1	
17	J10-27270-00-00	. ADJUSTER ASSEMBLY	1	
18	92995-06100-00	. WASHER, SPRING	2	
19	95380-06600-00	. NUT	2	
20	J10-27285-00-00	. CAP	1	
21	90506-26191-00	. SPRING, TENSION	2	
22	J10-27282-00-00	. PIN, SHOE HOLD DOWN	2	
23	J10-27281-00-00	. SPRING, SHOE CLAMP	2	
24	97313-08016-00	BOLT, HEXAGON	8	
25	92990-08100-00	WASHER	8	

ACCELERATOR



Ref. No.	Part Number	Description	Qty	Remarks
1	J10-27874-01-00	BRKT, ACCLTR PEDAL	1	
2	J10-27853-02-00	SHAFT, PEDAL 1	1	
3	J14-27872-00-00	ARM, ACCLTR PEDAL	1	
4	91609-60025-00	PIN, SPRING	1	
5	JF3-27871-00-00	PEDAL, ACCELERATOR	1	
6	90381-06033-00	BUSH, SOLID	1	
7	J14-27815-00-00	LEVER, CRANK	1	
8	90201-061A5-00	WASHER, PLATE	1	
9	91490-20020-00	PIN, COTTER	1	
10	97011-06025-00	BOLT (97001-06025)	1	
11	92995-06100-00	WASHER, SPRING	1	
12	90106-06042-00	BOLT, DOME HEAD (90101-06422)	1	
13	95380-06700-00	NUT	1	
14	J10-27852-00-00	CUP 1	1	
15	91609-35028-00	PIN, SPRING	1	
16	90384-14080-00	BUSH, BIMETAL	2	
17	93210-14104-00	O-RING	4	
18	97301-06014-00	BOLT, HEXAGON	4	
19	92995-06100-00	WASHER, SPRING	4	
20	90506-29187-00	SPRING, TENSION	1	
21	J14-27241-00-00	ROD, JOINT	1	
22	95303-08700-00	NUT	2	
23	90201-07077-00	WASHER, PLAT	2	
24	91401-25020-00	PIN, COTTER	1	
25	90386-07100-00	BUSH	1	
26	90202-10116-00	WASHER, PLATE	1	

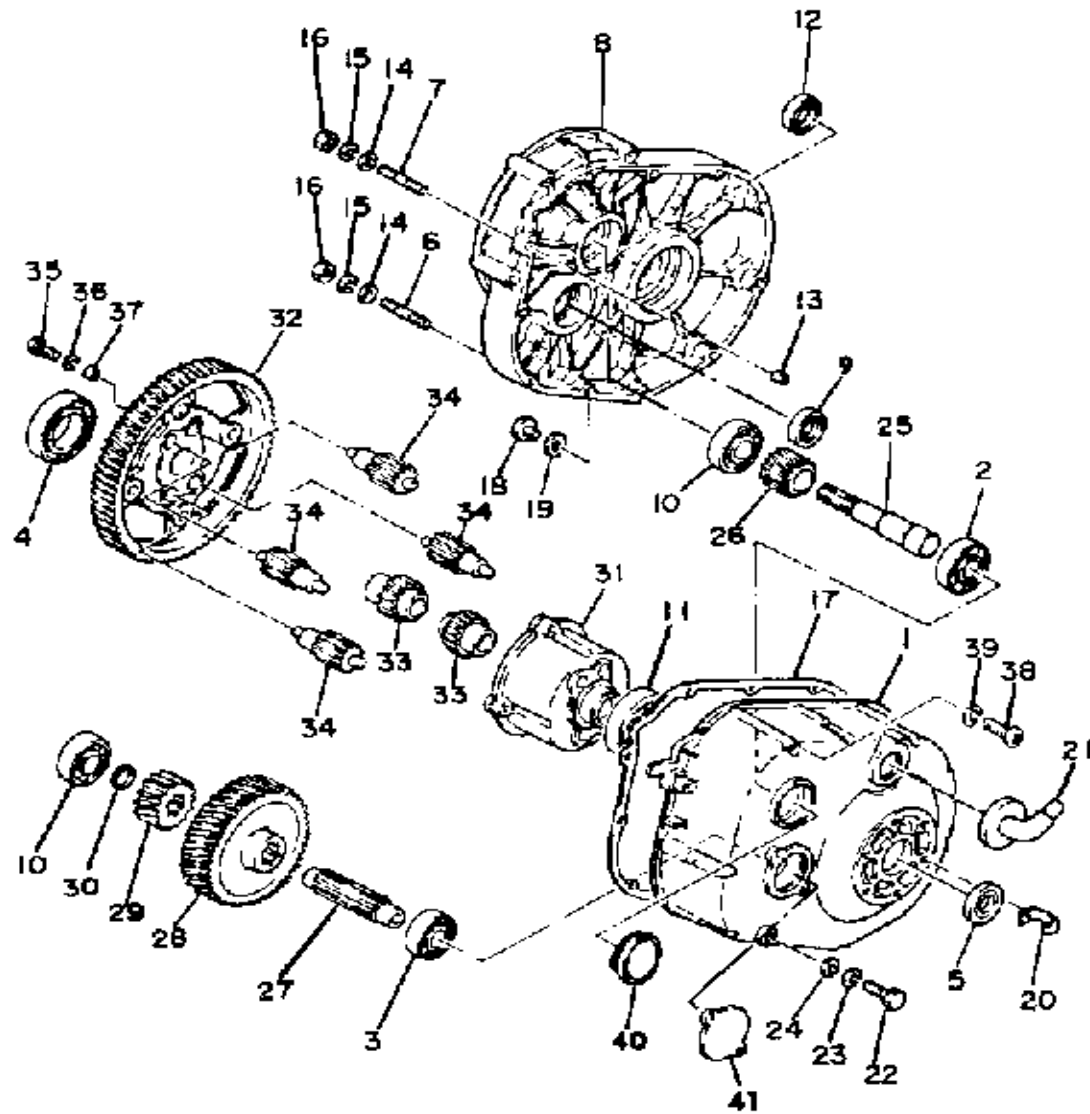
TRANSMISSION



Ref. No.	Part Number	Description	Qty	Remarks
1	J14-46311-00-00	CASE, TRANSMISSION 1	1	
2	93306-20529-00	BEARING (B6205C4)	1	
3	93306-20421-00	BEARING	1	
4	93306-00803-00	BEARING (B6008)	1	
5	93102-22189-00	OIL SEAL	1	
6	95621-08335-00	BOLT, STUD (95601-08335)	9	
7	95601-08345-00	BOLT, STUD	2	
8	J14-46312-02-00	CASE, TRANSMISSION 2	1	
9	93102-20143-00	OIL SEAL	1	
10	93306-20421-00	BEARING	2	
11	93306-00803-00	BEARING (B6008)	1	
12	93102-22189-00	OIL SEAL	1	
13	99510-12016-00	PIN, DOWEL	2	
14	92901-08600-00	WASHER	11	
15	92990-08100-00	WASHER	11	
16	95333-08600-00	NUT	11	
17	J10-46319-01-00	GASKET	1	
18	90340-14036-00	PLUG, STRAIGHT SCRW	2	
19	90430-14043-00	GASKET	2	
20	90465-06100-00	CLAMP	1	
21	835-47559-00-00	CAP 2	1	
22	97011-10020-00	BOLT	2	
23	92990-10100-00	WASHER, SPRING	2	
24	92990-10600-00	WASHER, PLATE	2	
25	J14-46321-01-00	SHAFT, INPUT	1	
26	J10-46331-02-00	GEAR, IMPUT 1	1	
27	J10-46351-00-00	SHAFT, COUNTER	1	
28	J10-46361-02-00	GEAR, COUNTER 1	1	
29	J10-46362-01-00	GEAR, COUNTER 2 0 1	1	101

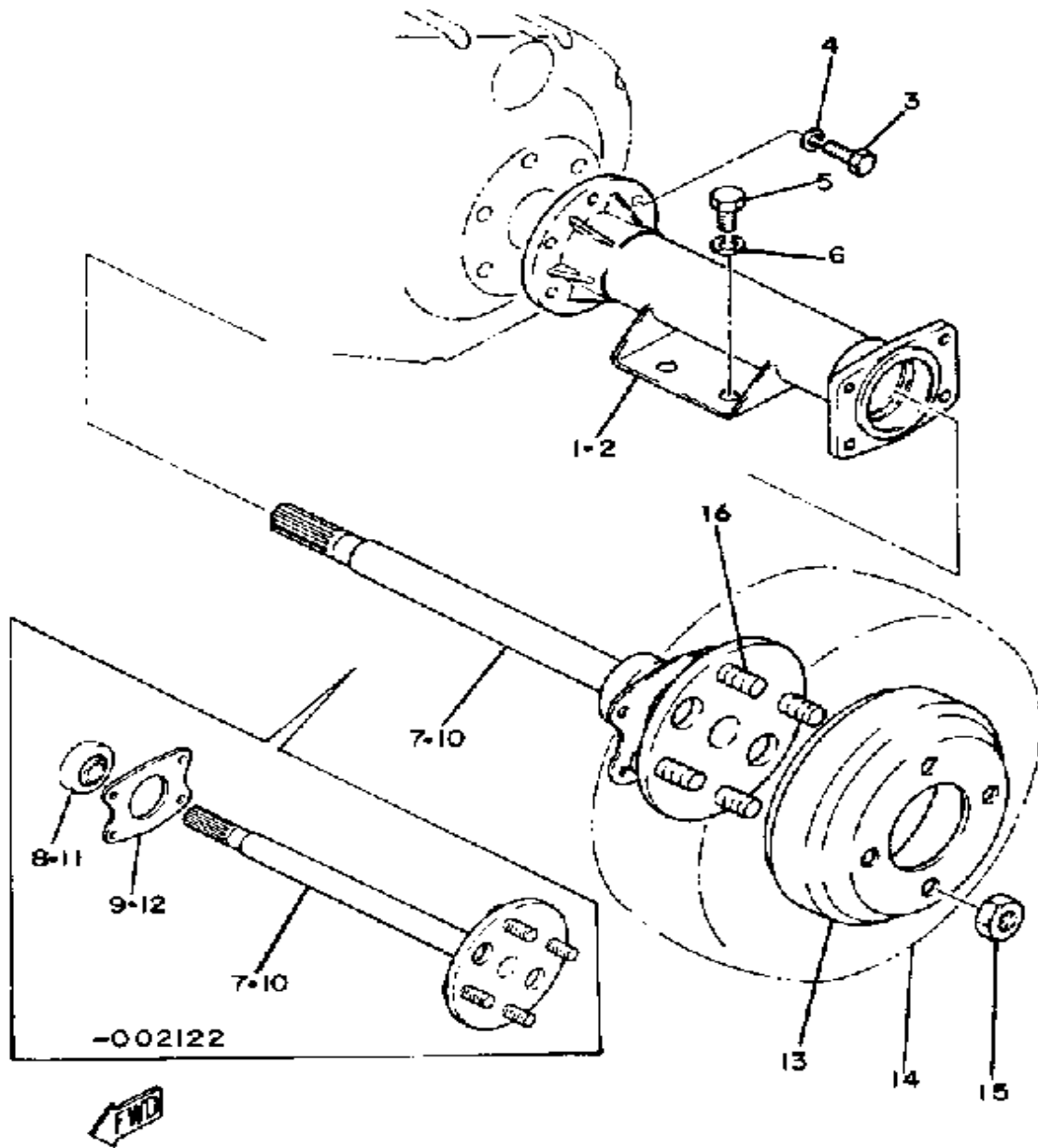
CONTINUED ON NEXT FRAME ►

TRANSMISSION



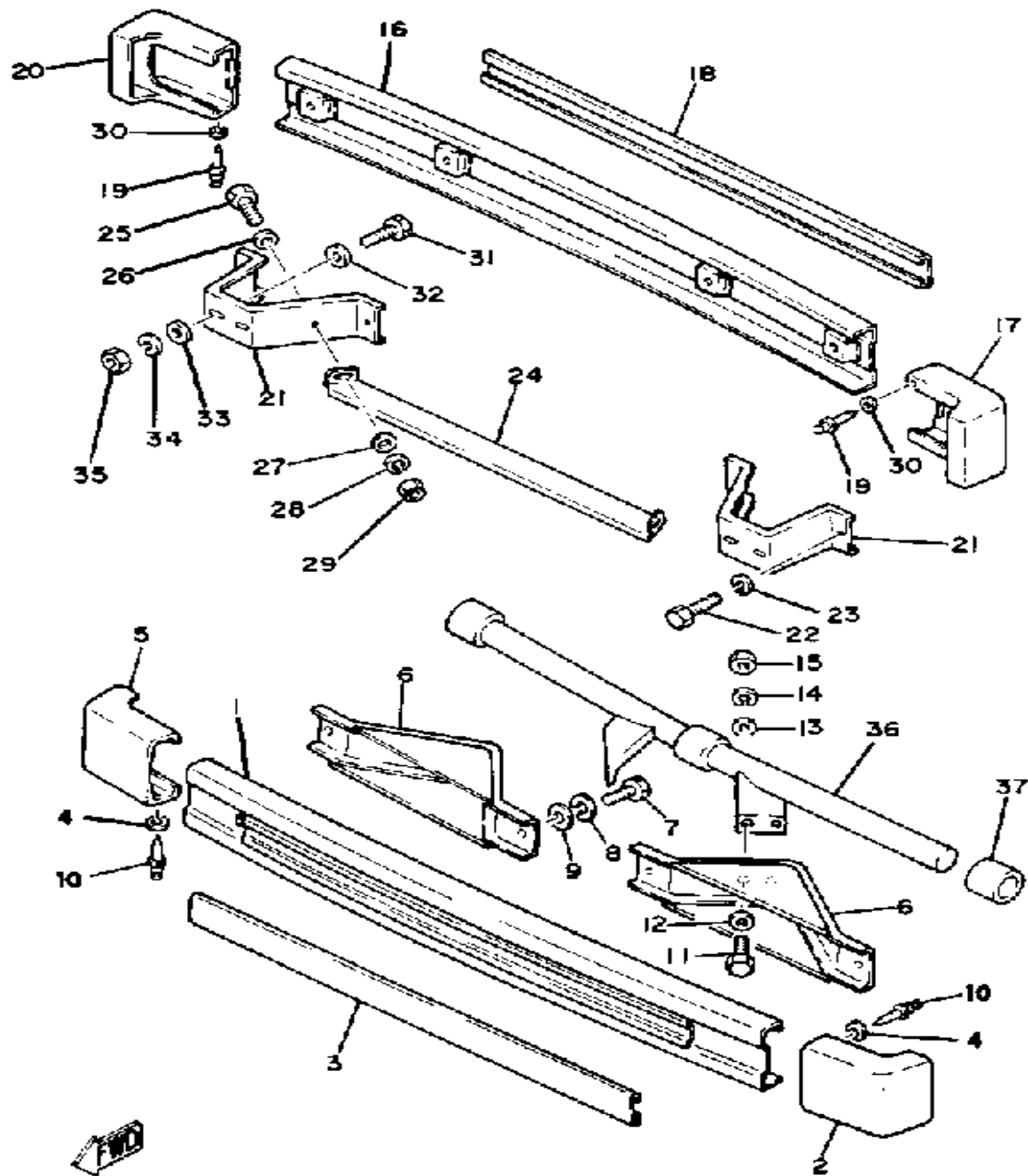
Ref. No.	Part Number	Description	Qty	Remarks
29	J10-46362-02-00	GEAR, COUNTER 2	1	102
30	90201-20272-00	WASHER, PLATE	1	
31	J10-W4641-00-00	CASE, DIFFERENTIAL	1	
32	J10-W4642-02-00	GEAR, RING	1	
33	J10-46414-00-00	GEAR, DIFF SIDE	2	
34	J10-46415-00-00	PINION, DIFF	4	
35	97313-08030-00	BOLT, HEXAGON	4	
36	92990-08100-00	WASHER	4	
37	99510-10114-00	PIN, DOWEL	2	
38	98580-06010-00	SCREW, PAN HEAD (92503-06010)	1	
39	92995-06100-00	WASHER, SPRING	1	
40	90338-40098-00	PLUG, SPEC'L SHAPE	1	
41	J10-47529-00-00	CAP	1	

REAR AXLE - WHEEL



Ref. No.	Part Number	Description	Qty	Remarks
1	J14-46540-00-00	R.AXLE HOUSING 1	1	
2	J14-46550-00-00	R.AXLE HOUSING 2	1	
3	97013-08025-00	BOLT	12	
4	92990-08100-00	WASHER	12	
5	97011-10020-00	BOLT	8	
6	92990-10100-00	WASHER, SPRING	8	
7	J22-46510-01-00	REAR AXLE SHAFT 1 (J14-46510-01)	1	
	J22-46510-01-00	REAR AXLE SHAFT 1 (J14-46510-01)	1	123
8	93306-20509-00	BEARING (B6205) (93306-20525) 0 1	1	122
9	J10-46513-00-00	RETAINER 0 1	1	122
10	J22-46520-01-00	REAR AXLE SHAFT 2 (J14-46520-01)	1	
	J22-46520-01-00	REAR AXLE SHAFT 2 (J14-46520-01)	1	123
11	93306-20509-00	BEARING (B6205) (93306-20525) 0 1	1	122
12	J10-46513-00-00	RETAINER 0 1	1	122
13	J10-46521-00-00	DRUM	2	
14	*---	FRONT WHEEL ASSEMBLY ..	2	
15	90179-12262-00	. NUT	8	
16	90114-12004-00	. BOLT, RIBBED NECK	8	

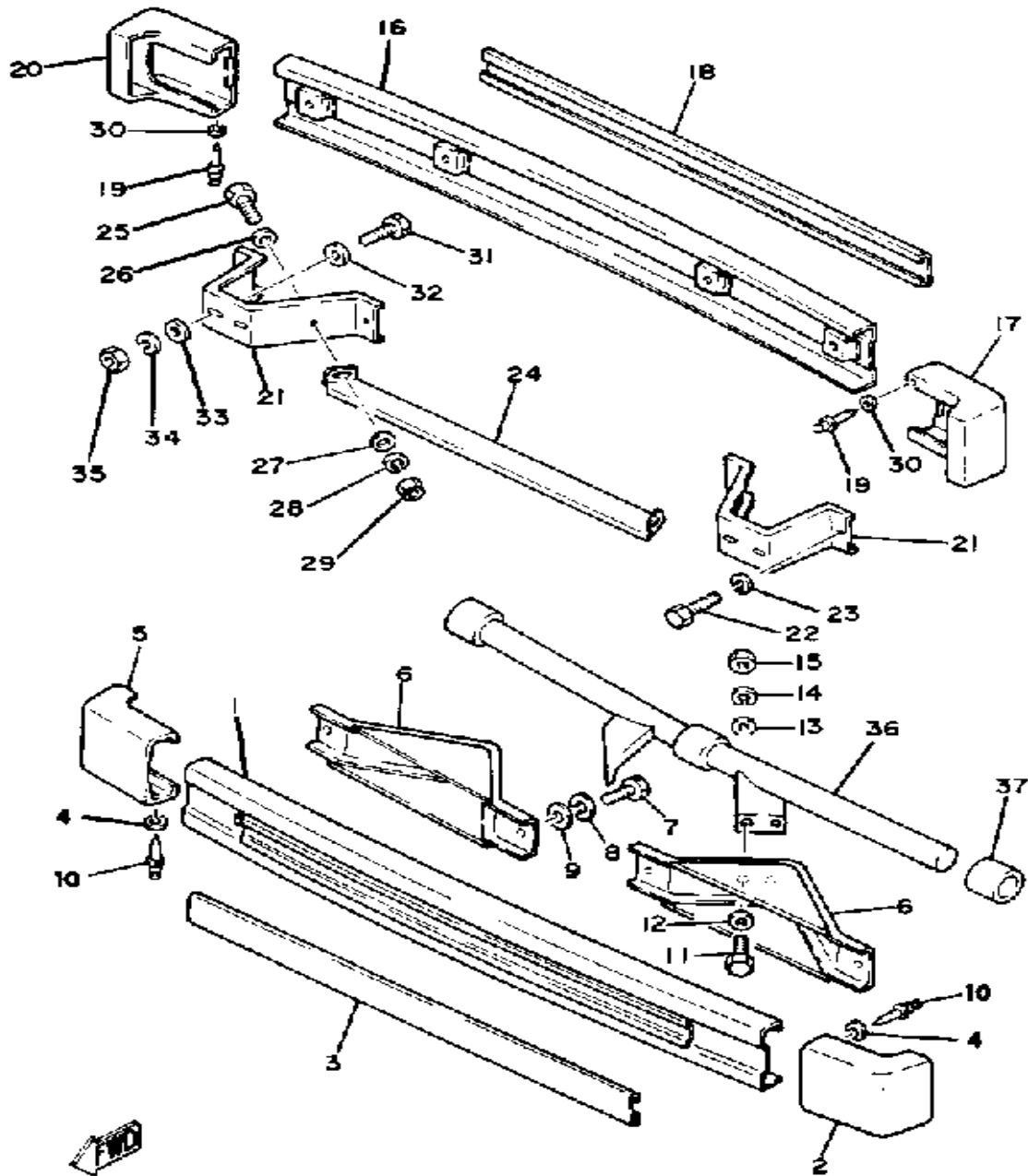
BUMPER



Ref. No.	Part Number	Description	Qty	Remarks
1	J10-78106-09-00	BUMPER SB/ASSEMBLY, FRT (J10-78106-02-93)	1	CHROME PLATED
2	J10-78168-01-00	BUMPER, RUBBER 2	1	
3	J10-78162-01-00	PAD, FRONT BUMPER	1	
4	90267-40077-00	. RIVET, BLIND	8	292
	90267-40M00-00	RIVET, BLIND	4	
5	J10-78167-01-00	BUMPER, RUBBER 1	1	
6	J10-78164-01-00	STAY, FRT BUMPER 1	2	
7	97313-08016-00	BOLT, HEXAGON	4	
8	92990-08100-00	WASHER	4	
9	92901-08600-00	WASHER	4	
10	90201-04325-00	WASHER, PLATE	8	
	92906-04200-00	WASHER, PLAIN	4	
11	97013-08025-00	BOLT	4	
	97313-08020-00	BOLT, HEXAGON	4	292
12	92901-08600-00	WASHER	4	
13	90201-085E6-00	WASHER PLATE	4	292
	92990-08200-00	WASHER, PLAIN	4	
14	92990-08100-00	WASHER	4	
15	95333-08600-00	. NUT	4	
16	J10-78107-09-00	BUMPER SB/ASSEMBLY, RR (J10-78107-02-93)	1	CHROME PLATED
17	J10-78167-01-00	BUMPER, RUBBER 1	1	
18	J10-78162-01-00	PAD, FRONT BUMPER	1	
19	90267-40077-00	RIVET, BLIND	8	292
	90267-40M00-00	RIVET, BLIND	4	
20	J10-78168-01-00	BUMPER, RUBBER 2	1	
21	J42-78174-00-00	STAY, REAR BUMPER (J10-78174-01)	2	
22	97313-08016-00	BOLT, HEXAGON	4	

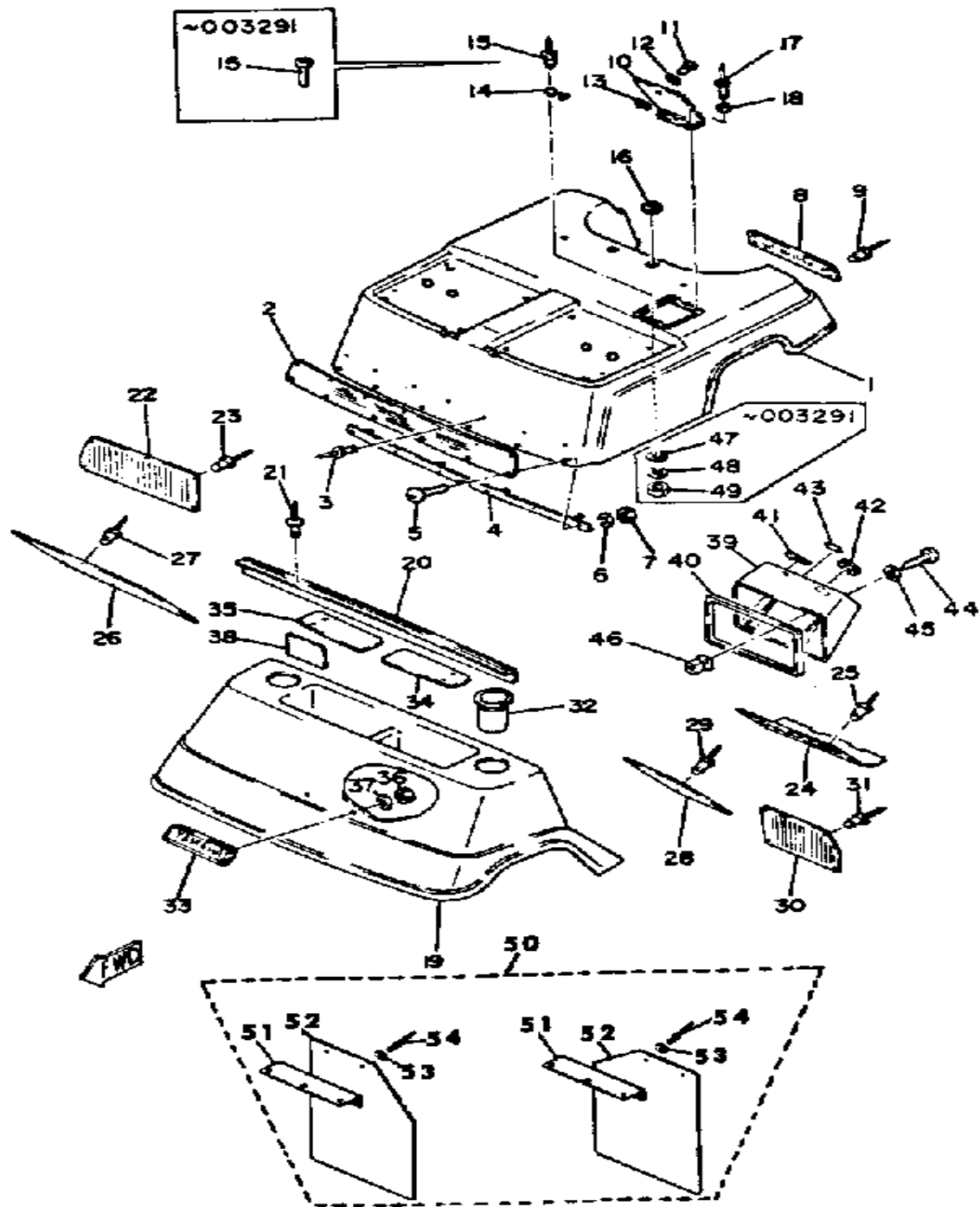
CONTINUED ON NEXT FRAME ►

BUMPER



Ref. No.	Part Number	Description	Qty	Remarks
23	92990-08100-00	WASHER	4	
24	J10-78179-00-00	PLATE, EXTENSION	1	
25	97011-08016-00	BOLT	2	
26	92901-08600-00	WASHER	2	
27	92990-08200-00	WASHER, PLAIN	2	
28	92990-08100-00	WASHER	2	
29	95303-08800-00	NUT (CROWN) (95301-08800)	2	
30	90201-04325-00	WASHER, PLATE	8	
	92906-04200-00	WASHER, PLAIN	4	
31	97313-08020-00	BOLT, HEXAGON	4	
32	92901-08600-00	WASHER	4	
33	92990-08200-00	WASHER, PLAIN	4	
34	92990-08100-00	WASHER	4	
35	95333-08600-00	. NUT	4	
36	J10-78122-00-00	REINFORCEMENT 2	1	292
37	(90387-375A1-00)	COLLAR	3	292

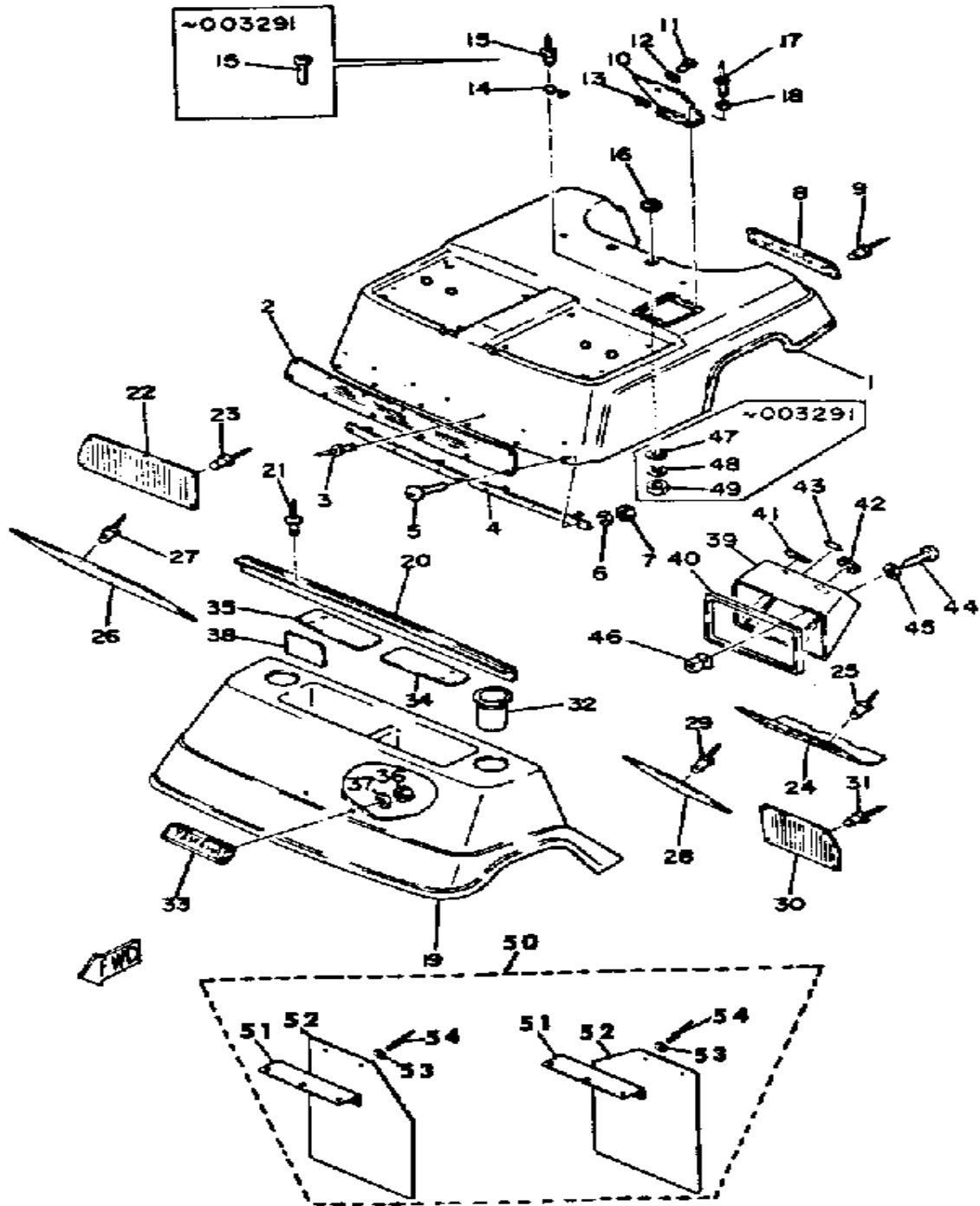
BODY, PANEL - REAR MUD FLAP



Ref. No.	Part Number	Description	Qty	Remarks
1	J10-W7811-01-00	PANEL, BODY SHELL	1	
	J10-W7811-01-00	PANEL, BODY SHELL	1	292
2	J10-78119-00-00	PLATE 3	1	
3	90267-40077-00	RIVET, BLIND	7	
4	(J14-78121-00-00)	REINFORCEMENT 1	1	
5	98980-06016-00	SCREW, BINDING	6	
6	92995-06100-00	WASHER, SPRING	6	
7	95380-06600-00	NUT	6	
8	J10-78137-00-00	PLATE 4	1	
9	90267-40075-00	RIVET, BLIND	4	
	90267-40077-00	RIVET, BLIND	4	
10	J10-78272-00-9E	COVER, FUEL INLET	1	IVROY WHITE
11	J10-78238-01-00	FASTENER, UPPER	1	
12	90201-08083-00	WASHER, PLATE	1	
13	99009-06600-00	CIRCLIP	1	
14	J10-78239-00-00	FASTENER, LOWER	1	
15	90267-32019-00	RIVET, BLIND	2	292
	98901-03010-00	SCREW, BIND	2	
16	90480-35242-00	GROMMET	2	
17	90267-40077-00	RIVET, BLIND	2	
18	90201-044H9-00	WASHER, PLAIN	2	
19	J10-W7812-00-00	COWL, FRONT (J10-78115-00)	1	
20	J10-77165-01-00	TRIM 1	1	292
21	90267-40029-00	RIVET, BLIND	11	
	90267-63047-00	RIVET, BLIND	11	292
22	J10-78117-10-00	PLATE 1	1	
23	90267-40054-00	RIVET, BLIND	5	
	90267-40M00-00	RIVET, BLIND	5	
24	J10-78118-01-00	PLATE 2	1	

CONTINUED ON NEXT FRAME ➤

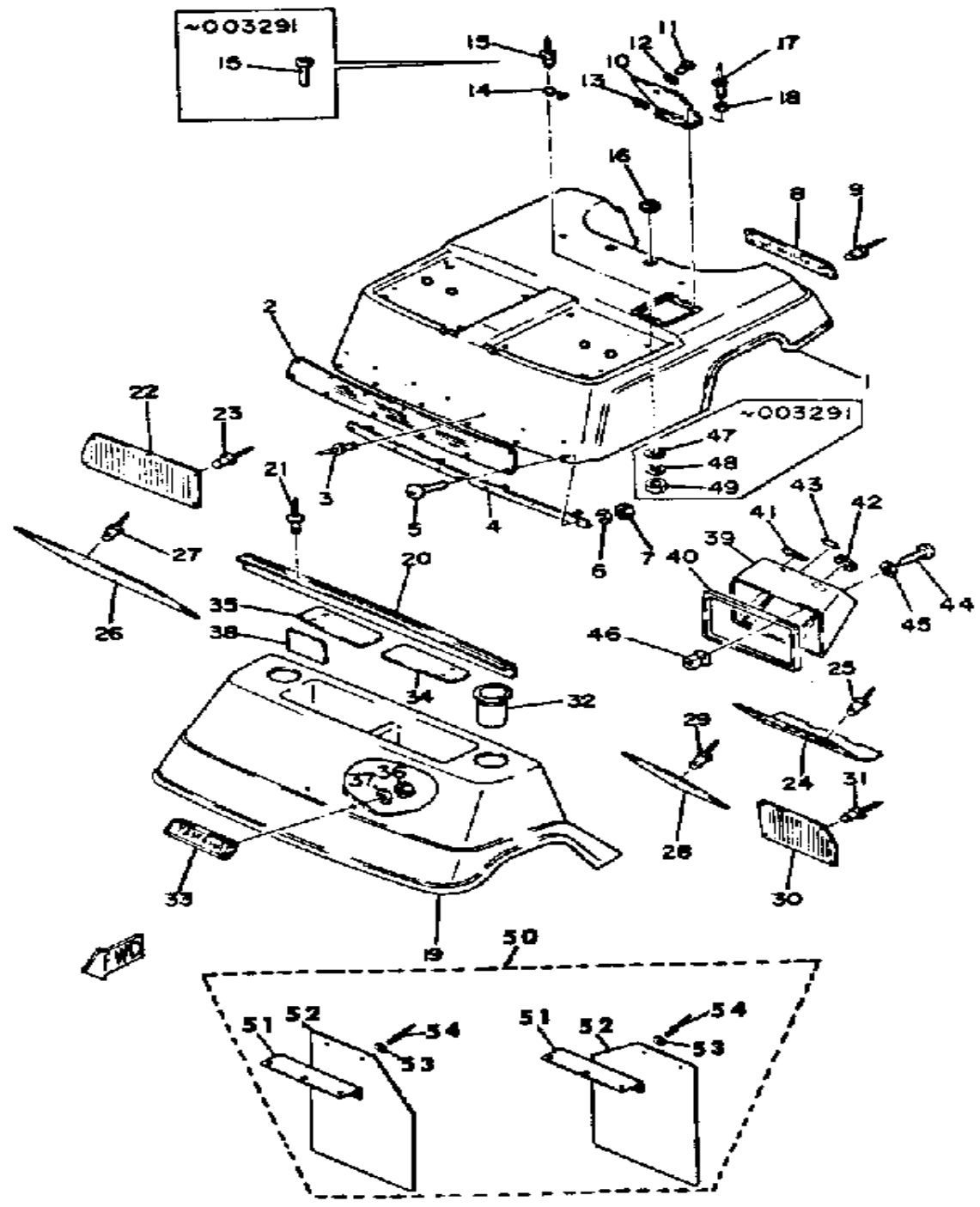
BODY, PANEL - REAR MUD FLAP



Ref. No.	Part Number	Description	Qty	Remarks
25	90267-40054-00	RIVET, BLIND	4	
	90267-40M00-00	RIVET, BLIND	4	
26	J10-78232-00-00	MAT, MAIN FLOOR 2	1	
27	90267-63047-00	RIVET, BLIND	7	
28	J10-78233-00-00	MAT, MAIN FLOOR 3	1	
29	90267-63047-00	RIVET, BLIND	6	
30	J10-78147-00-00	PLATE 5	1	
31	90267-40M00-00	RIVET, BLIND	4	
32	J10-78359-00-00	HOLDER 3	2	
33	J10-78291-00-00	EMBLEM 1	1	
34	J10-77151-01-00	PAD 1	1	
35	J10-77152-01-00	PAD 2	1	
36	95701-05300-00	NUT, NYLON	2	
37	92990-05200-00	WASHER, PLAIN	2	
38	J10-77768-00-00	LABEL, WARNING	1	
39	J10-77711-00-00	PANEL, INSTRUMENT	1	
40	J10-78245-00-00	SEAL 1	1	
41	J10-77741-00-00	INDICATOR 1	1	
42	90480-48243-00	GROMMET	1	
43	J14-77458-00-00	LABEL, WARNING	1	
44	97780-50130-00	SCREW, TAPPING	2	
45	90201-05029-00	WASHER, PLATE	2	
46	90480-07241-00	GROMMET	2	
47	92902-03600-00	WASHER	2	T 003291
48	92990-03100-00	WASHER, SPRING (92901-03100)	2	T003291
49	90179-03478-00	NUT, SPEC'L SHAPE 0 2	2	291
50	J11-78103-00-00	MUD FLAP (L.H)	2	
	J11-78104-00-00	MUD FLAP (R.H)	2	ALTERNATE PARTS

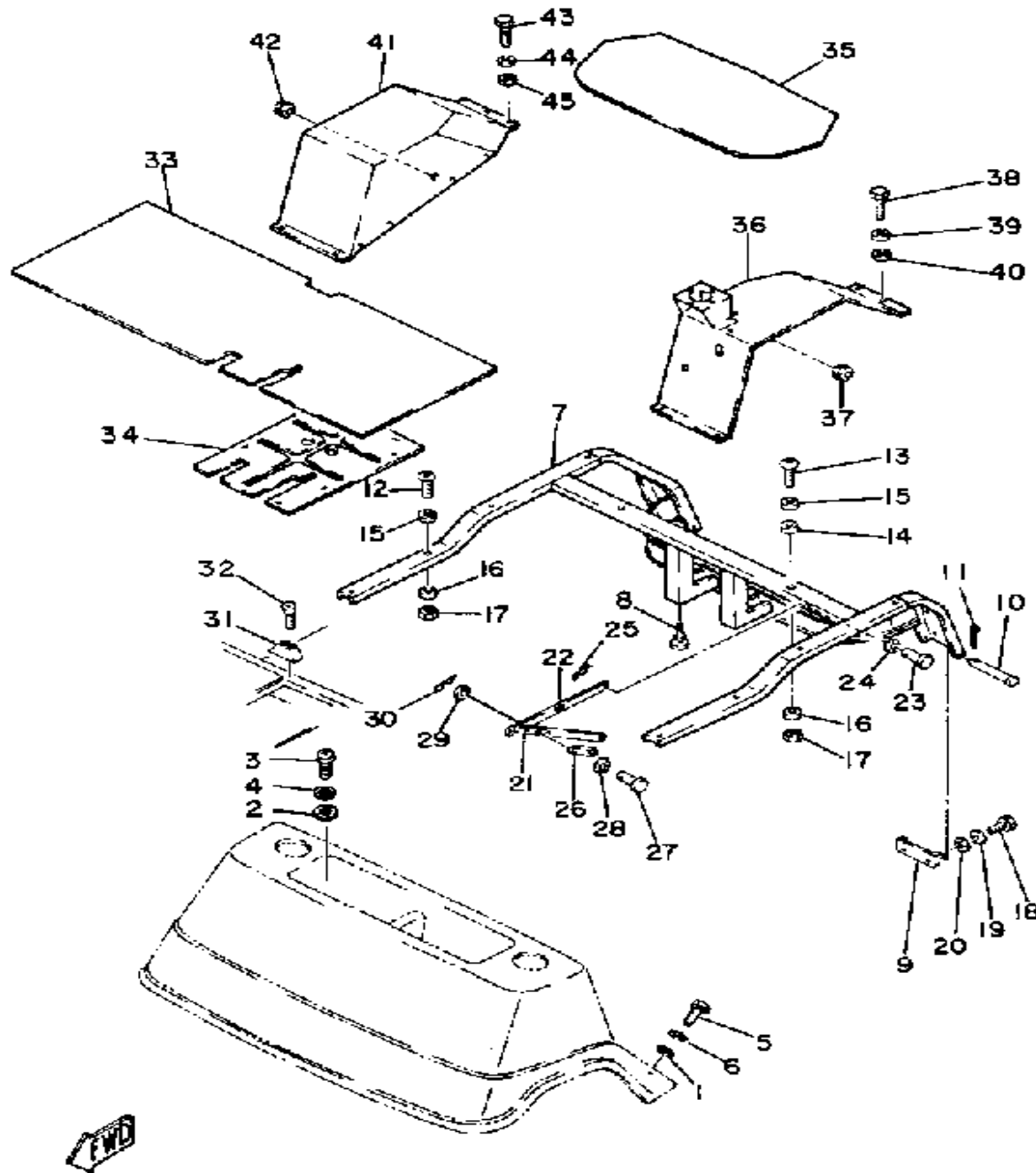
CONTINUED ON NEXT FRAME ►

BODY, PANEL - REAR MUD FLAP



Ref. No.	Part Number	Description	Qty	Remarks
51	(J11-78198-00-00)	RETAINER, FLAP	2	
52	(J11-78199-00-00)	FLAP, REAR 2	2	
53	90201-05034-00	WASHER, PLATE	6	
54	90267-40054-00	RIVET, BLIND	6	

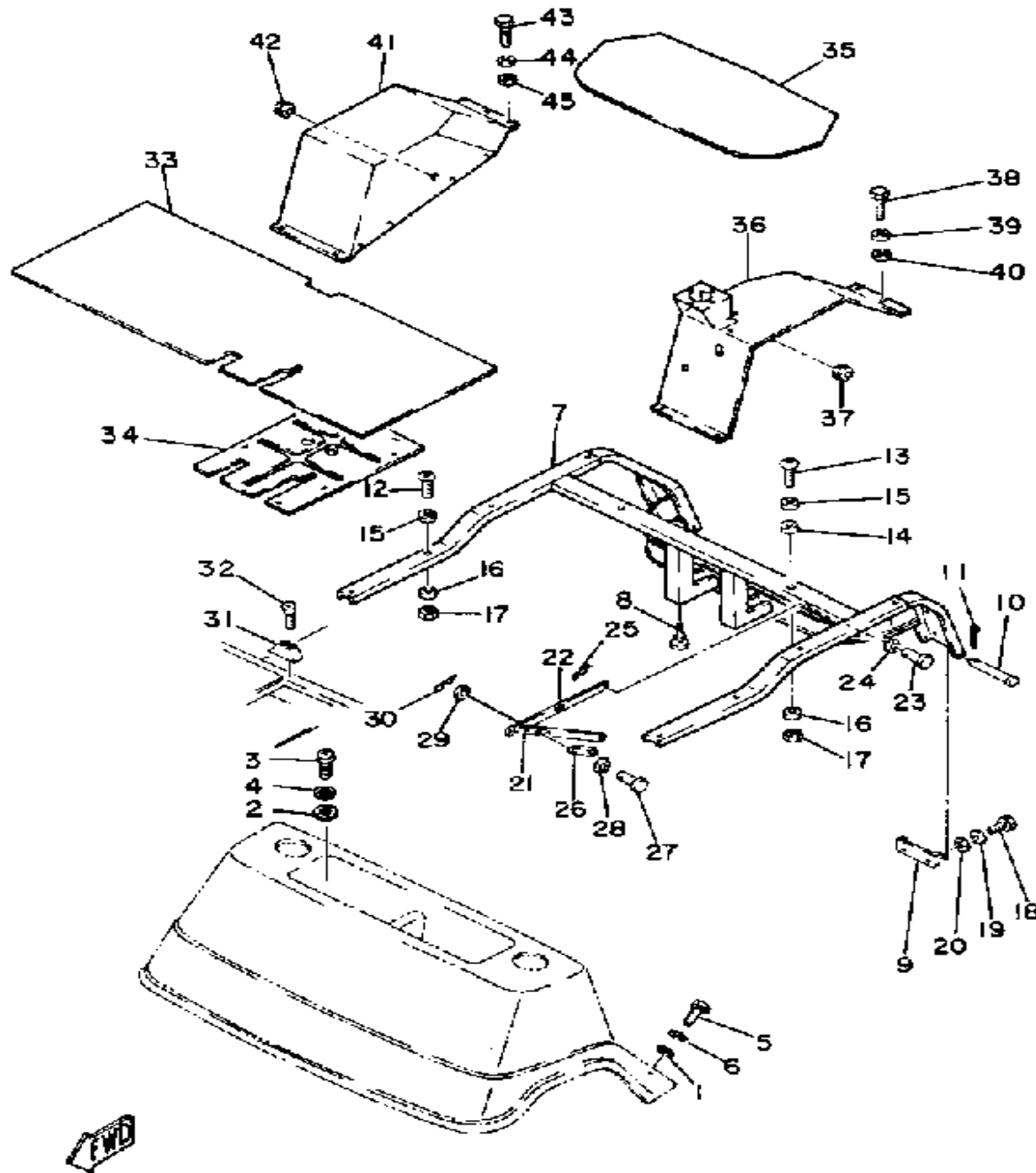
BODY FITTING



Ref. No.	Part Number	Description	Qty	Remarks
1	90201-06075-00	WASHER, PLATE	3	
2	90201-08310-00	WASHER, PLATE	2	
	90201-08612-00	WASHER, PLATE	2	
3	98903-08020-00	SCREW, BIND (98901-08020) ..	2	
4	92990-08100-00	WASHER	2	
5	97023-06020-00	BOLT (3XF)	3	
6	92995-06100-00	WASHER, SPRING	3	
7	J10-77145-00-00	HINGE 1	1	
8	90480-06240-00	GROMMET	2	
9	J10-77146-00-00	HINGE 2	2	
10	91701-08118-00	PIN, CLEVIS	2	
11	91401-25020-00	PIN, COTTER	2	
12	98980-06020-00	SCREW, BIND	8	
13	98980-06025-00	SCREW, BIND	2	
14	90202-08085-00	WASHER, PLATE	2	
15	90201-06697-00	WASHER, PLATE	10	
16	92995-06100-00	WASHER, SPRING	10	
17	95380-06600-00	NUT	10	
18	97313-08020-00	BOLT, HEXAGON	4	
19	92990-08100-00	WASHER	4	
20	92901-08600-00	WASHER	4	
21	J10-77125-00-00	STAY 1	2	
22	J10-77766-00-00	LABEL, WARNING 6	2	
23	91701-08014-00	PIN, CLEVIS	4	
24	90206-08051-00	WASHER, WAVE	4	
25	90468-16065-00	CLIP	4	292
	91401-25020-00	PIN, COTTER	4	
26	J10-77188-00-00	STOPPER	1	
27	91701-06012-00	PIN, CLEVIS	1	

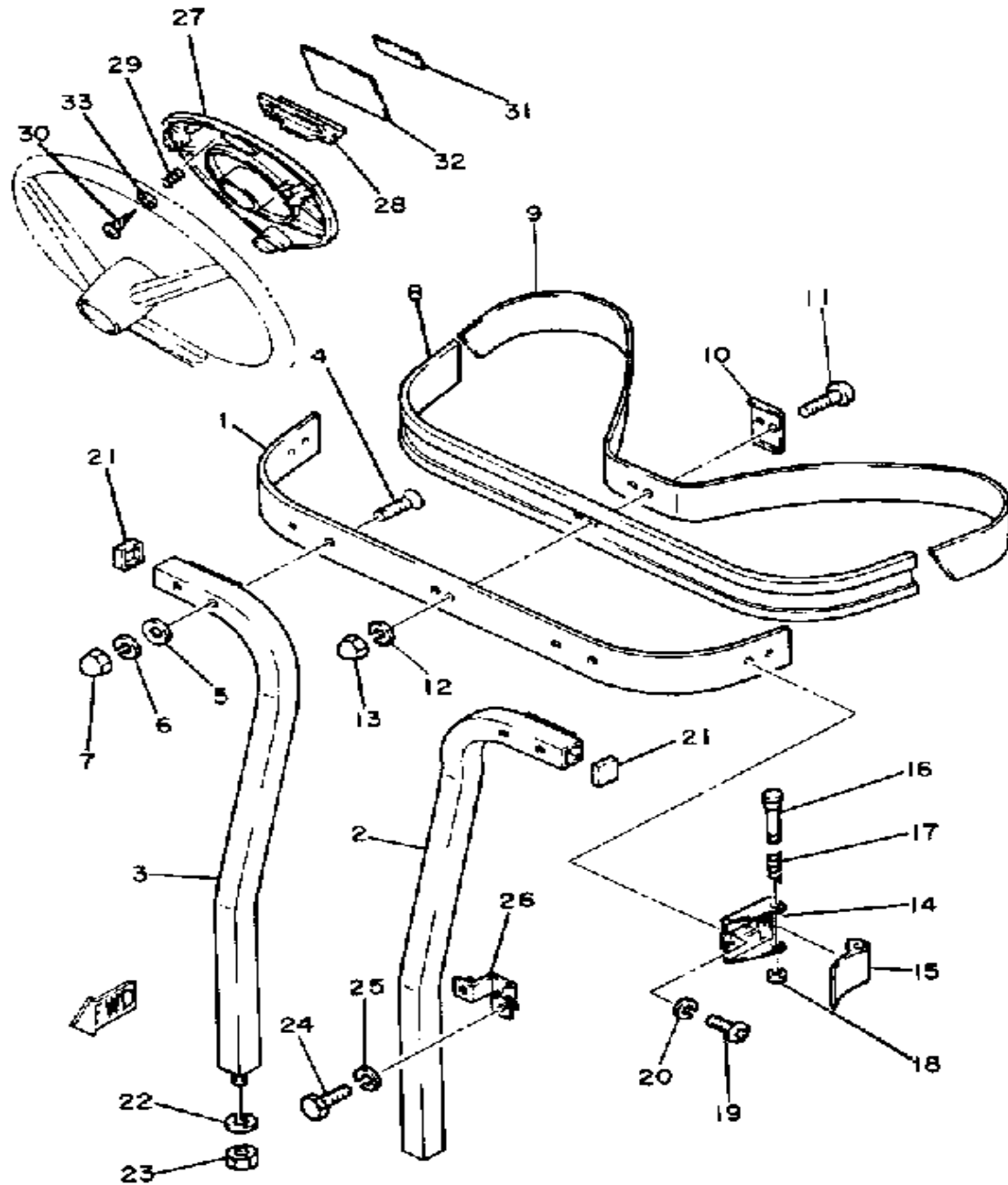
CONTINUED ON NEXT FRAME ►

BODY FITTING



Ref. No.	Part Number	Description	Qty	Remarks
28	90206-06090-00	WASHER, WAVE	1	
29	92990-06200-00	WASHER	1	
30	90468-10050-00	CLIP	1	
	91490-20020-00	PIN, COTTER	1	
31	J10-78156-00-00	STOPPER, LOCK	1	
32	98701-05035-00	SCREW, FLAT HEAD	2	
33	J10-78231-09-00	MAT, MAIN FLOOR 1 (J10-78231-02)	1	
34	J31-78271-00-00	SERVICE LID, PEDAL	1	
35	J10-78241-00-00	MAT, REAR FLOOR	1	
36	J14-78191-00-00	PANEL, RR FENDER 1	1	
37	90480-12237-00	GROMMET	1	
38	97313-06016-00	BOLT, HEXAGON	4	
39	92995-06100-00	WASHER, SPRING	4	
40	90201-061A5-00	WASHER, PLATE	4	
41	J14-78192-00-00	PANEL, RR FENDER 2	1	
42	90480-12237-00	GROMMET	1	
43	97313-06016-00	BOLT, HEXAGON	4	
44	92995-06100-00	WASHER, SPRING	4	
45	90201-061A5-00	WASHER, PLATE	4	

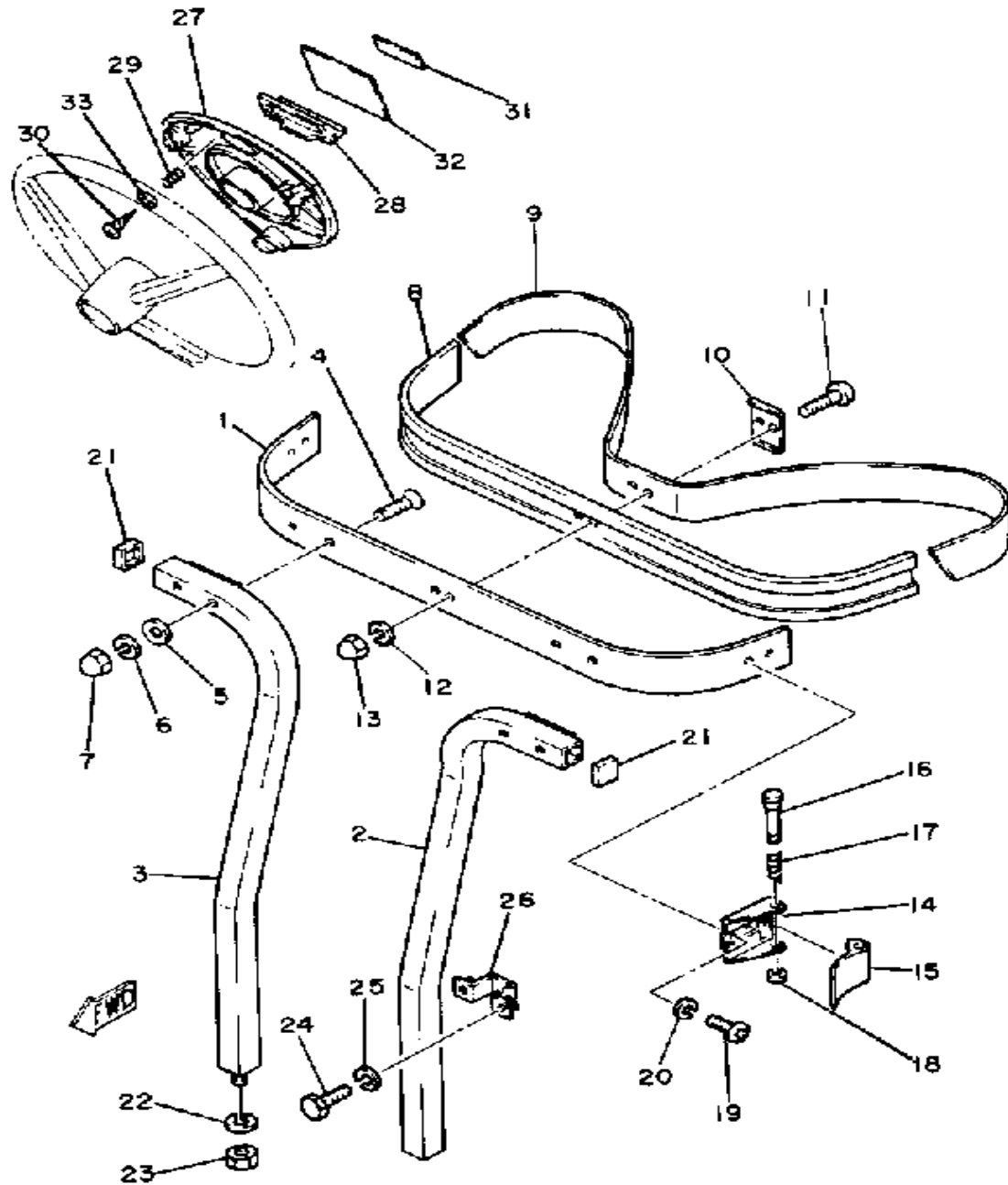
CARRIER



Ref. No.	Part Number	Description	Qty	Remarks
1	J42-78351-00-00	SUPPORT, BAG UPPER (J10-78351-00-9E)	1	IVORY WHITE
2	J10-78352-00-00	SUPPORT, BAG LWR 1 (J10-78352-00-9E)	1	IVORY WHITE
3	J10-78353-00-00	SUPPORT, BAG LWR 2 (J10-78353-00-9E)	1	IVORY WHITE
4	98701-08045-00	SCREW, FLAT HEAD (92701-08045)	4	
5	90201-08107-00	WASHER, PLATE	4	
6	92990-08100-00	WASHER	4	
7	95303-08800-00	NUT (CROWN) (95301-08800)	4	
8	J10-78356-00-00	PAD, BAG SUPPORT	1	
9	J10-78355-00-00	BAND	1	
10	J10-78367-00-00	PLATE, ANCHOR	1	
11	98903-06016-00	SCREW, BIND	2	
12	92995-06100-00	WASHER, SPRING	2	
13	95303-06800-00	NUT (CROWN)	2	
14	J10-78157-00-00	BASE, LOCK	1	
15	J10-78368-00-00	LEVER, LOCK	1	
16	J10-78369-01-00	PIN, LEVER	1	
17	90508-10382-00	SPRING, TORSION	1	
18	93410-06053-00	CIRCLIP, S-TYPE	1	
19	98580-06008-00	SCREW, PAN HEAD	4	
20	92995-06100-00	WASHER, SPRING	4	
21	J10-78139-00-00	CAP, END	2	
22	92990-10100-00	WASHER, SPRING	2	
23	95303-10600-00	NUT (95301-10600)	2	
24	97301-06014-00	BOLT, HEXAGON	4	
25	92995-06100-00	WASHER, SPRING	4	
26	J10-78366-01-00	CLAMP, SUPPORT	2	

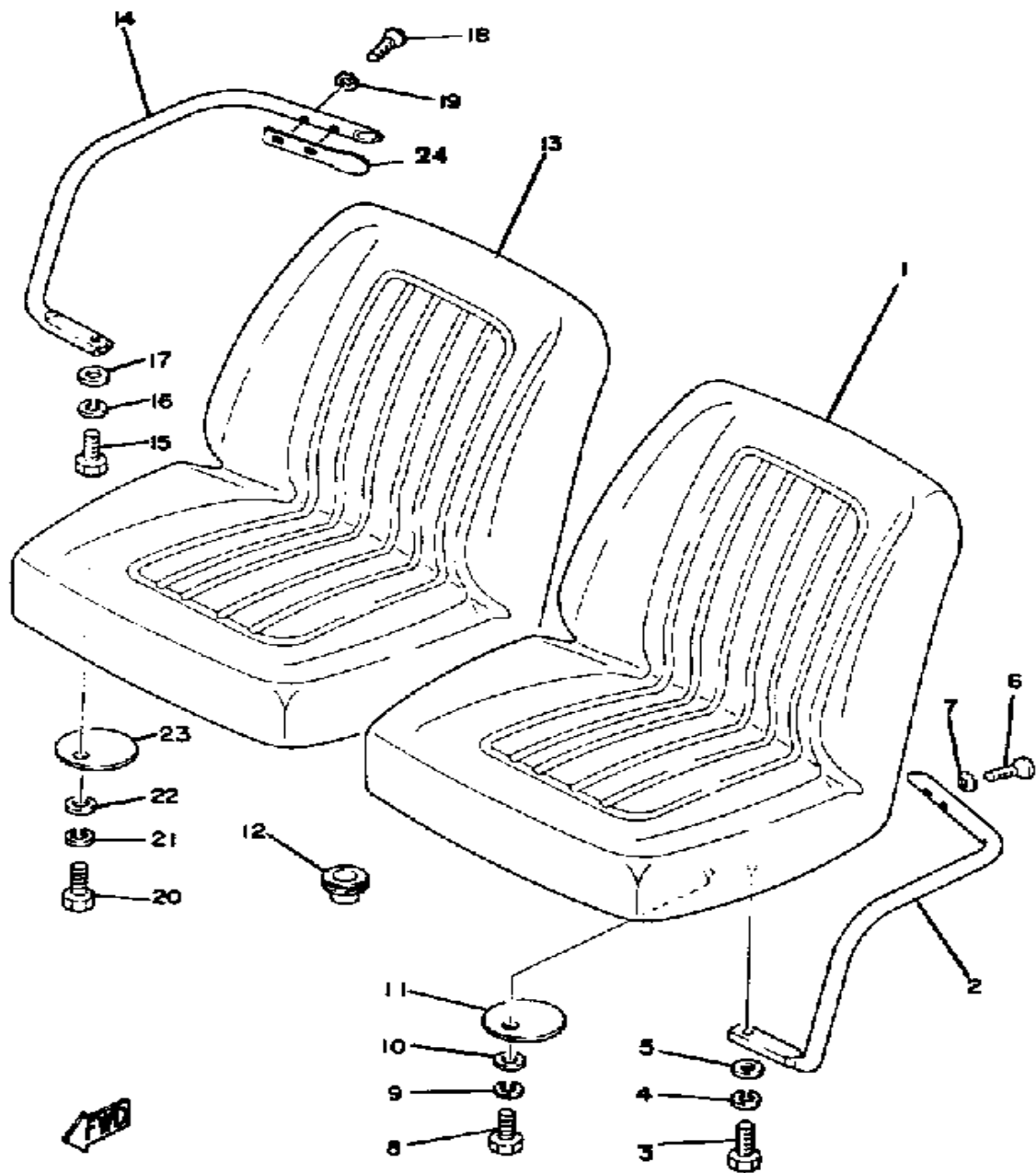
CONTINUED ON NEXT FRAME ►

CARRIER



Ref. No.	Part Number	Description	Qty	Remarks
27	J10-78357-01-00	HOLDER 1	1	
28	J10-78358-00-00	HOLDER 2	1	
29	90502-10013-00	SPRING, CONICAL	2	
30	97780-50125-00	SCREW, TAPPING	2	
31	J10-78292-00-00	EMBLEM 2	1	
32	J10-77762-01-00	LABEL, WARNING 2	1	
33	92901-05600-00	WASHER, PLATE	2	

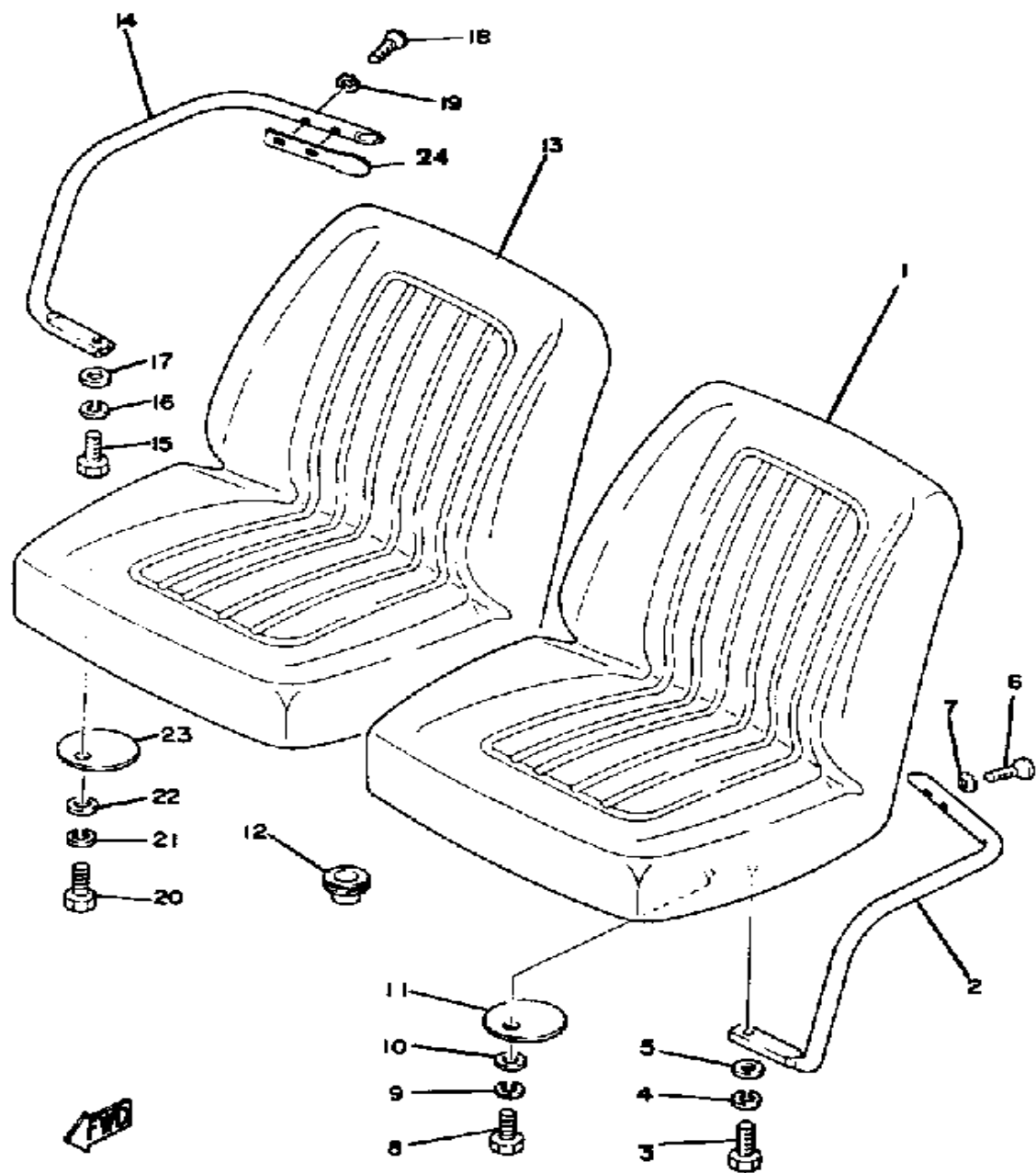
SEAT



Ref. No.	Part Number	Description	Qty	Remarks
1	90480-35346-00	. GROMMET	1	
	J10-78401-04-00	GOLF CAR SEAT (L) (J10-78401-02)	1	292
2	J10-78361-00-00	ARM REST 1	1	CHROME PLATED
3	97013-10030-00	BOLT (8J7) (97303-10030)	1	
4	92990-10100-00	WASHER, SPRING	1	
5	92990-10600-00	WASHER, PLATE	1	
6	98680-08035-00	SCREW, OVALHEAD	2	
7	92990-08500-00	WASHER, EX.TOOTH (92901-08500)	2	
8	97001-08025-00	BOLT (1NV)	4	292
	97313-08020-00	BOLT, HEXAGON	4	
9	92990-08100-00	WASHER	4	
10	90201-08310-00	WASHER, PLATE	4	
11	J10-78439-00-00	WASHER, SEAT	4	292
12	90480-42282-00	GROMMET	2	292
13	J10-78403-04-00	SEAT SB/ASSEMBLY, CSHN 2 (99999-01263)	1	
14	J10-78362-00-93	ARM REST 2	1	CHROME PLATED
15	97013-10030-00	BOLT (8J7) (97303-10030)	1	
16	92990-10100-00	WASHER, SPRING	1	
17	92990-10600-00	WASHER, PLATE	1	
18	98680-08035-00	SCREW, OVALHEAD	2	
19	92990-08500-00	WASHER, EX.TOOTH (92901-08500)	2	
20	97001-08025-00	BOLT (1NV)	4	
	97313-08020-00	BOLT, HEXAGON	4	
21	92990-08100-00	WASHER	4	
22	90201-08310-00	WASHER, PLATE	4	
23	J10-78439-00-00	WASHER, SEAT	4	292

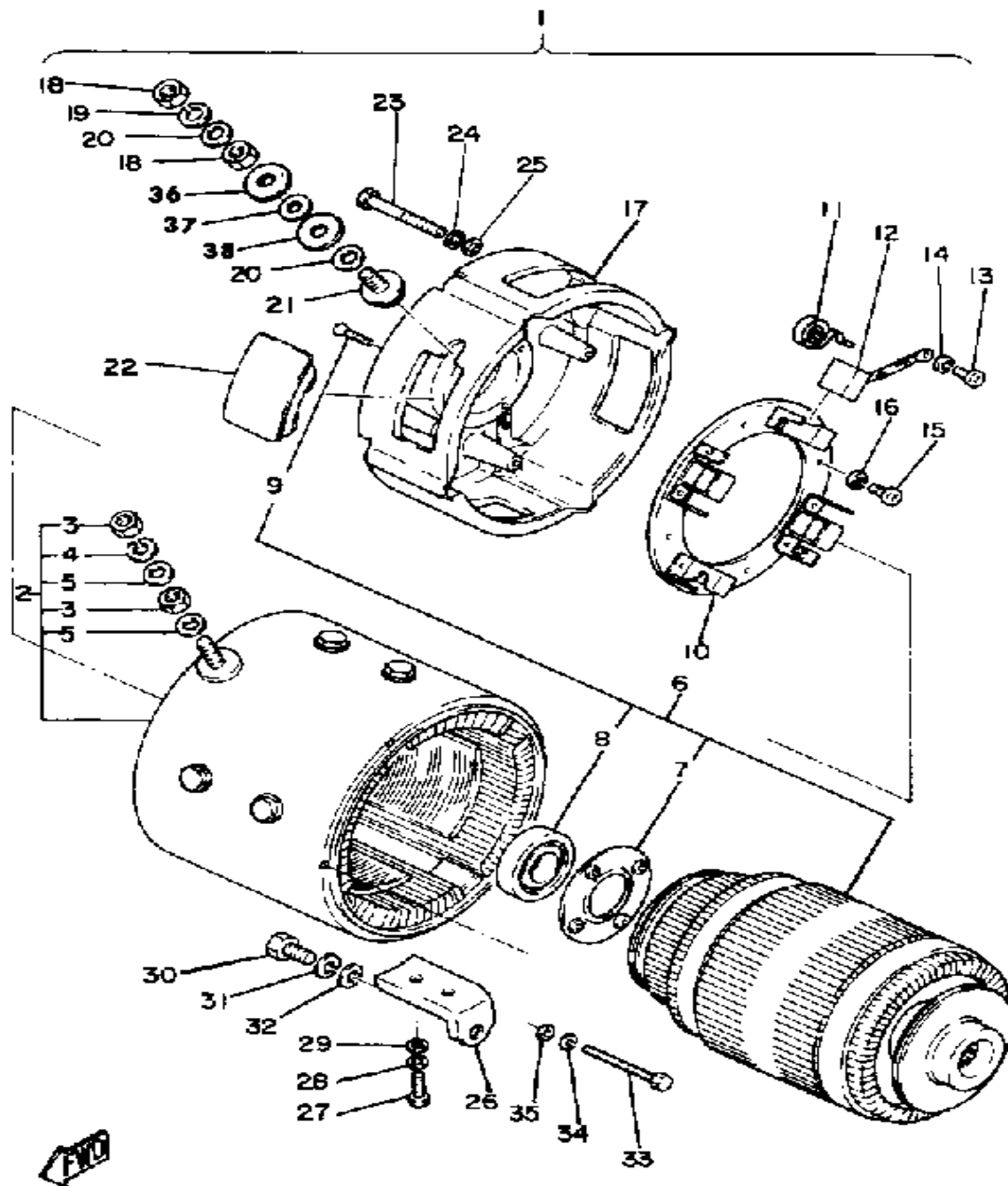
CONTINUED ON NEXT FRAME ►

SEAT



Ref. No.	Part Number	Description	Qty	Remarks
24	J17-78348-00-00	SPACER, ARM REST	2	

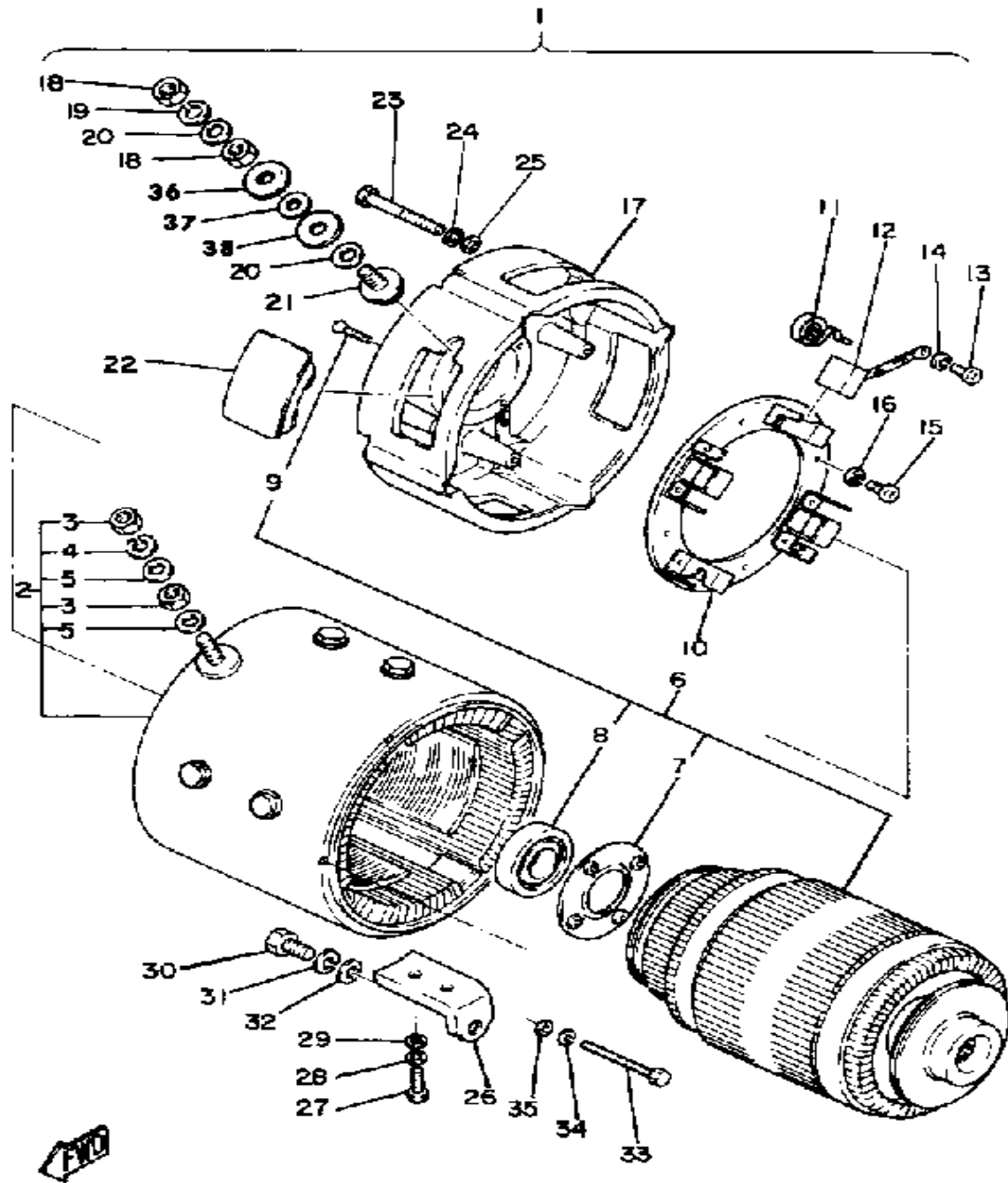
STARTING MOTOR



Ref. No.	Part Number	Description	Qty	Remarks
1	JG6-H1890-01-00	MOTOR ASSEMBLY (JG6-H1890-00-00)	1	
2	J14-81810-10-00	. STATOR ASS'Y	1	
3	95333-08600-00	.. NUT	4	
4	(92920-08100-00)	WASHER, SPRING	2	
5	92990-08200-00	.. WASHER, PLAIN	4	
6	J14-81850-10-00	. ARMATURE ASS'Y	1	
7	J14-81857-10-00	.. BEARING	1	
8	J14-81856-10-00	.. RETAINER	1	
9	98701-05020-00	.. SCREW, FLAT HEAD	4	
10	J14-81840-10-00	. BRUSH HOLDER ASS'Y	1	
11	J14-81813-10-00	. SPRING, BRUSH	4	
12	J14-81811-10-00	. BRUSH 1	4	
13	98580-05010-00	. SCREW, PAN HEAD	4	
14	92990-05100-00	. WASHER, SPRING	4	
15	98580-05016-00	. SCREW, PAN HEAD	4	
16	92990-05100-00	. WASHER, SPRING	4	
17	J14-81822-10-00	. BRACKET, STARTING MOTOR	1	
18	95333-08600-00	. NUT	4	
19	(92920-08100-00)	WASHER, SPRING	2	
20	92990-08200-00	. WASHER, PLAIN	4	
21	J14-81826-10-00	. BOLT	2	
22	J14-81842-10-00	. COVER	4	
23	J14-81828-10-00	. BOLT 2	4	
24	92995-06100-00	. WASHER, SPRING	4	
25	90201-061A5-00	. WASHER, PLATE	4	
26	J14-81823-01-00	STAY, STARTING MTR (J14-81823-00)	1	
27	97011-06016-00	BOLT	2	

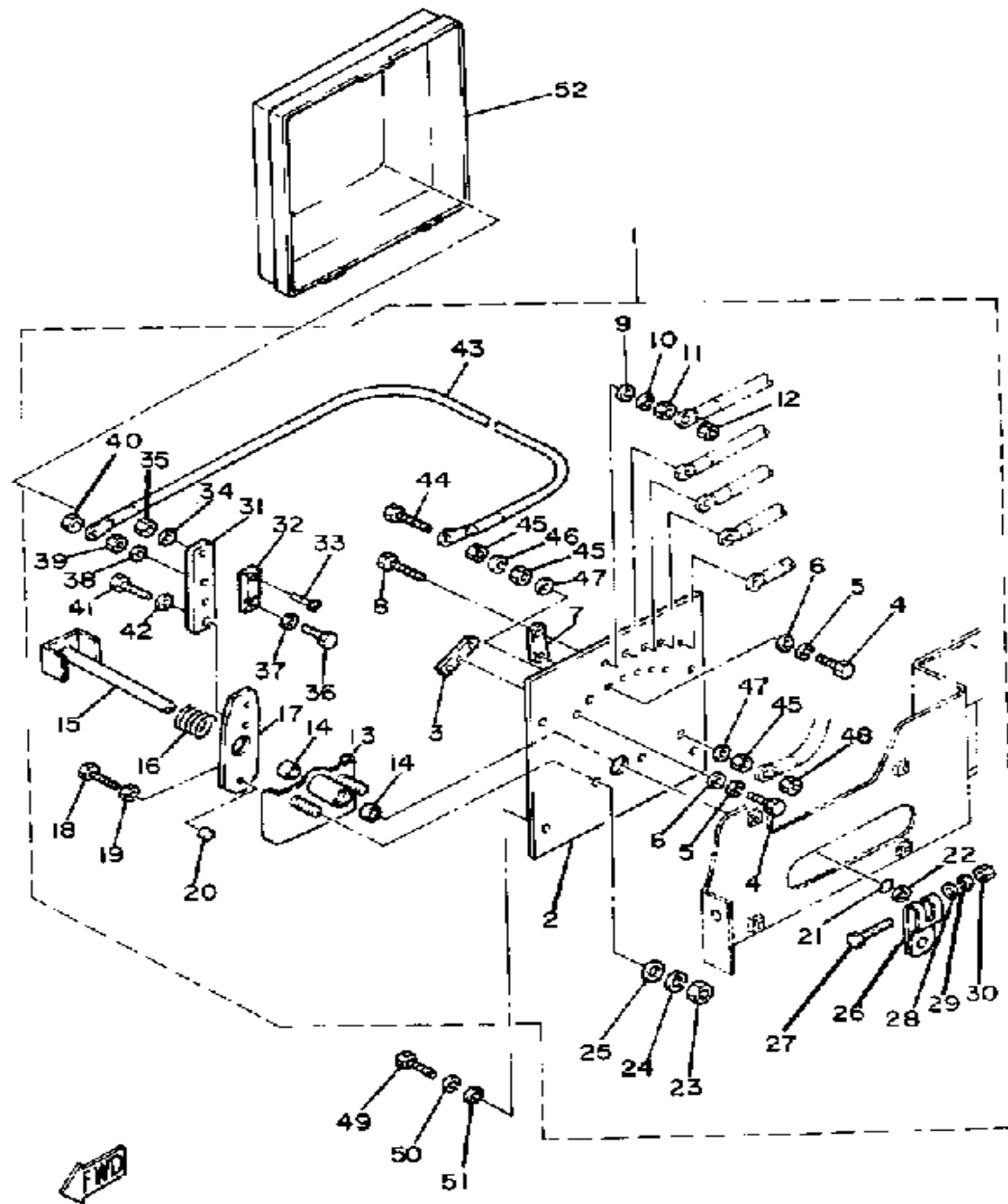
CONTINUED ON NEXT FRAME ►

STARTING MOTOR



Ref. No.	Part Number	Description	Qty	Remarks
28	92995-06100-00	WASHER, SPRING	2	
29	90201-061A5-00	WASHER, PLATE	2	
30	97011-08016-00	BOLT	1	
31	92990-08100-00	WASHER	1	
32	92901-08600-00	WASHER	1	
33	97313-06055-00	BOLT, HEXAGON (97322-06055)	3	
34	92995-06100-00	WASHER, SPRING	3	
35	90201-06643-00	WASHER, PLATE	3	
36	J14-81843-00-00	WASHER 1	1	
37	J14-81845-00-00	PLATE	1	
38	J14-81824-00-00	WASHER 2	1	

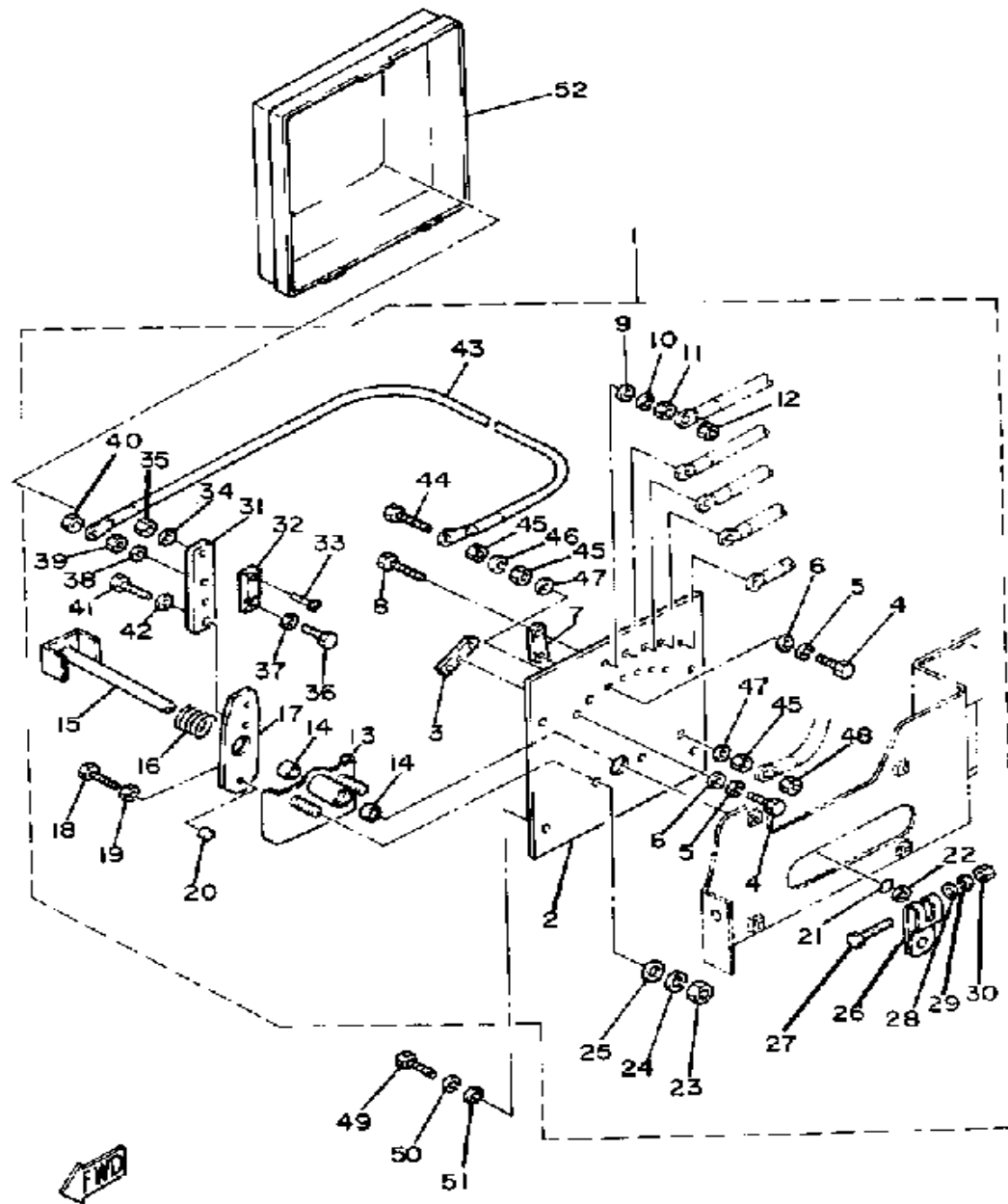
CONTROLLER 1



Ref. No.	Part Number	Description	Qty	Remarks
1	J46-86140-00-00	CONTROLLER ASS'Y (J22-86140-00)	1	
2	J46-86142-00-00	. BASE, PLATE	1	
3	J14-82103-00-00	. TERMINAL 1	1	
4	97013-06012-00	. BOLT	7	
5	92995-06100-00	. WASHER, SPRING	7	
6	92990-06200-00	. WASHER	7	
7	J14-86162-00-00	. CONTACT, STATE	5	
8	90101-06469-00	. BOLT	5	
9	92990-06200-00	. WASHER	5	
10	92995-06100-00	. WASHER, SPRING	5	
11	95380-06700-00	. NUT	5	
12	95320-06600-00	. NUT	5	
13	J14-86156-00-00	. HOLDER, SHAFT	1	
14	90380-10010-00	. BUSH, SOLID	2	
15	J14-86155-01-00	. SHAFT, CONTROLLER	1	
16	90501-16573-00	. SPRING, COMPRESSION	1	
17	J14-86152-00-00	. ARM, MOVING	1	
18	97023-06020-00	. BOLT (3XF)	1	
19	95380-06700-00	. NUT	1	
20	90386-05111-00	. BUSH, SPEC'L NYLON	1	
21	93210-10166-00	. O-RING	1	
22	92990-10200-00	. WASHER, PLAIN	1	
23	95303-08700-00	. NUT	2	
24	92990-08100-00	. WASHER	2	
25	92901-08600-00	. WASHER	2	
26	J14-86144-01-00	. LEVER, CONTROLLER	1	
27	97021-06030-00	. BOLT	1	
28	90201-061A5-00	. WASHER, PLATE	1	

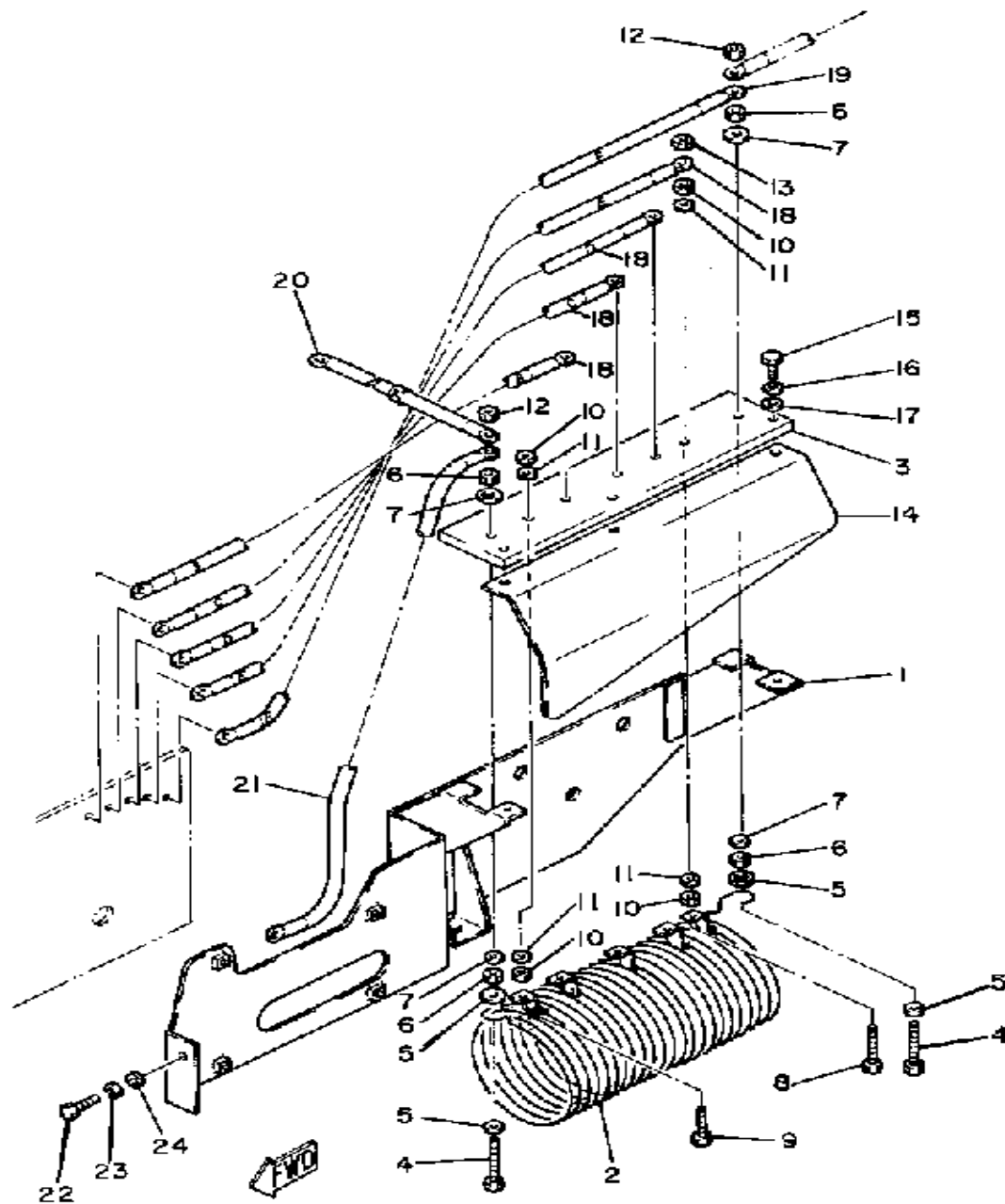
CONTINUED ON NEXT FRAME ►

CONTROLLER 1



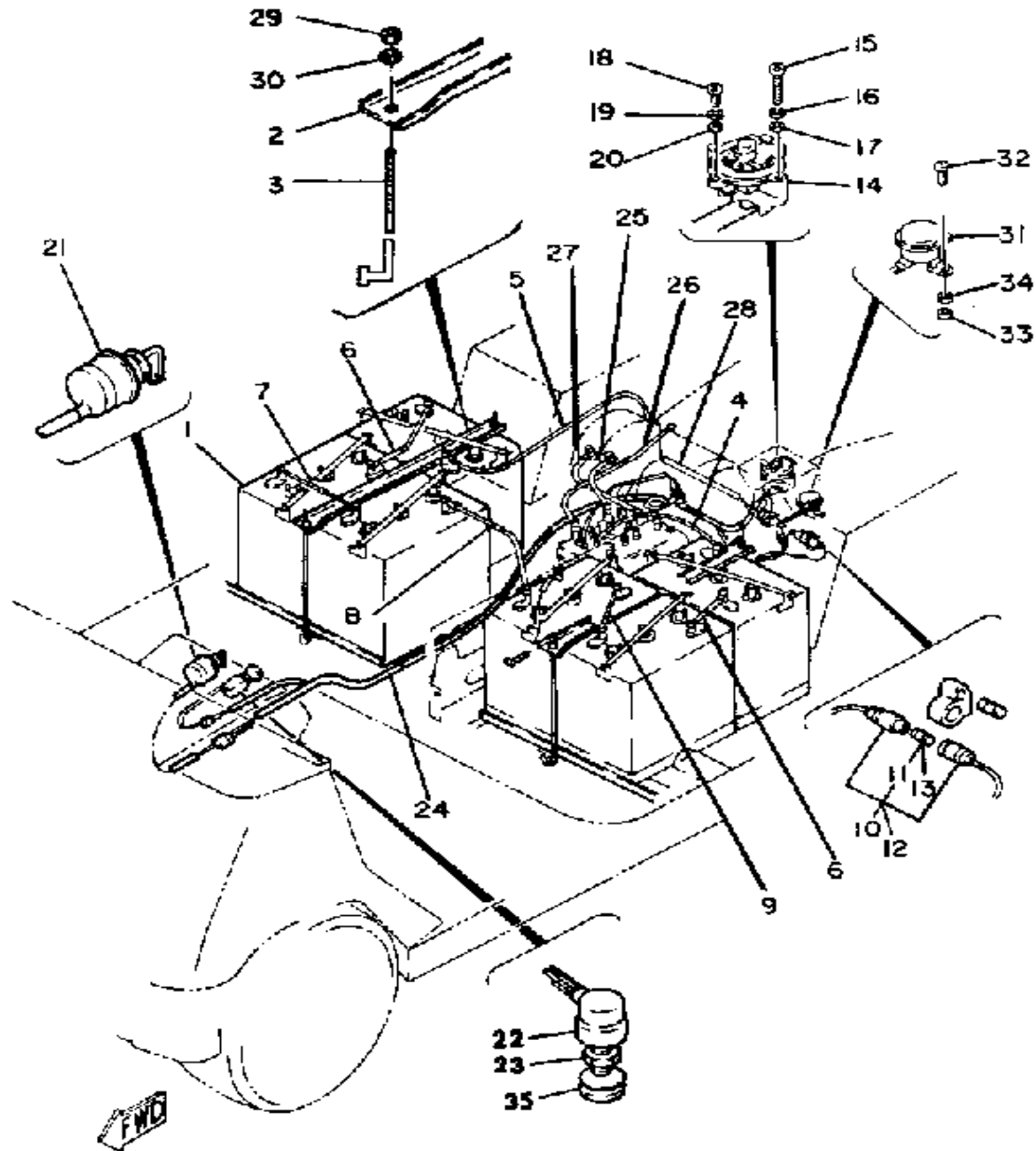
Ref. No.	Part Number	Description	Qty	Remarks
29	92995-06100-00	. WASHER, SPRING	1	
30	95380-06700-00	. NUT	1	
31	J14-86154-00-00	. PLATE, CNTCT MOVING	1	
32	J14-86153-00-00	. CONTACT, MOVING	1	
33	98701-04016-00	. SCREW, FLAT HEAD (98702-04016)	1	
34	92902-04300-00	. WASHER, IN.TOOTH	1	
35	95301-04600-00	. NUT	1	
36	90101-06469-00	. BOLT	1	
37	90201-063A5-00	. WASHER, PLATE	1	
38	92995-06100-00	. WASHER, SPRING	1	
39	95380-06700-00	. NUT	1	
40	95320-06600-00	. NUT	1	
41	97313-06016-00	. BOLT, HEXAGON	2	
42	92995-06100-00	. WASHER, SPRING	2	
43	J14-86175-00-00	. WIRE, LEAD 5	1	
44	90101-06469-00	. BOLT	1	
45	95380-06700-00	. NUT	3	
46	92995-06100-00	. WASHER, SPRING	1	
47	92990-06200-00	. WASHER	2	
48	95320-06600-00	. NUT	1	
49	97023-06020-00	BOLT (3XF)	4	
50	92995-06100-00	WASHER, SPRING	4	
51	90201-061A5-00	WASHER, PLATE	4	
52	J56-H6163-00-00	COVER, CONTROLLER	1	

CONTROLLER 2



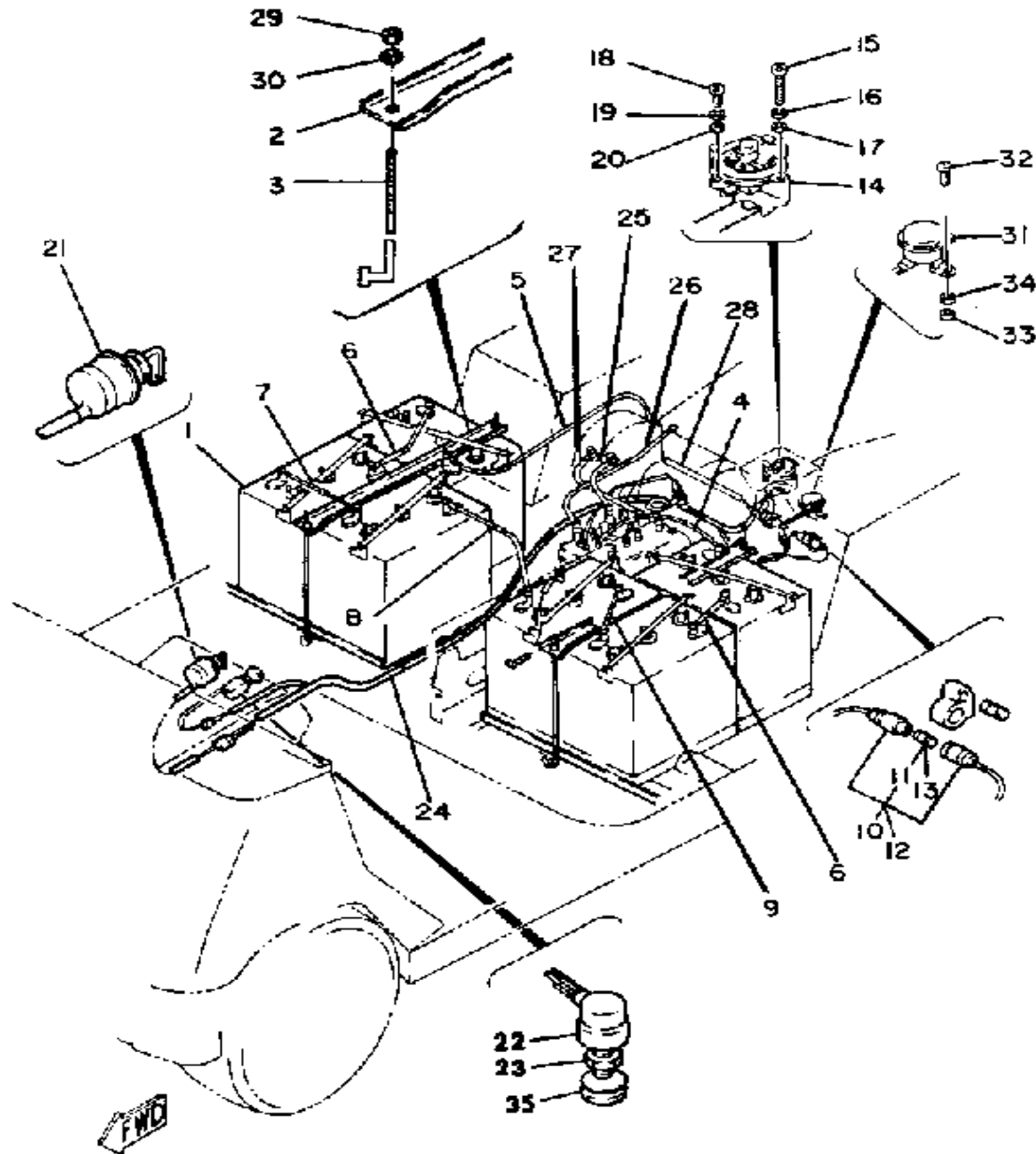
Ref. No.	Part Number	Description	Qty	Remarks
1	(J14-86141-00-00)	PLATE, CONTROLLER	1	
2	J51-85370-00-00	RESISTOR ASSEMBLY	1	
3	J14-85378-01-00	PLATE, RESISTOR	1	
4	90101-08470-00	BOLT	2	
5	(90201-08777-00)	WASHER, PLATE	4	
6	95303-08700-00	NUT	4	
7	92901-08600-00	WASHER	4	
8	90101-06469-00	BOLT	4	
9	97011-06025-00	BOLT (97001-06025)	1	
10	95380-06700-00	NUT	10	
11	92990-06200-00	WASHER	10	
12	95333-08600-00	NUT	2	
13	95320-06600-00	NUT	4	
14	J14-85379-00-00	COVER, RESISTOR	1	
15	97023-06020-00	BOLT (3XF)	3	
16	92995-06100-00	WASHER, SPRING	3	
17	90201-061A5-00	WASHER, PLATE	3	
18	J14-86175-00-00	WIRE, LEAD 5	4	
19	J14-86175-00-00	WIRE, LEAD 5	1	
20	J14-86176-00-00	WIRE, LEAD	1	
21	J14-86175-00-00	WIRE, LEAD 5	1	
22	97313-08020-00	BOLT, HEXAGON	3	
23	92990-08100-00	WASHER	3	
24	92901-08600-00	WASHER	3	

ELECTRICAL 2



Ref. No.	Part Number	Description	Qty	Remarks
1	J14-81950-00-00	RELAY ASSEMBLY	1	
2	J14-81951-00-00	. RELAY	2	
3	97021-06030-00	.. BOLT	8	
4	95380-06700-00	.. NUT	8	
5	92995-06100-00	.. WASHER, SPRING	8	
6	95303-08700-00	.. NUT	8	
7	92990-08100-00	.. WASHER	8	
8	92901-08600-00	.. WASHER	8	
9	(J14-81925-00-00)	TERMINAL	2	
10	95333-08600-00	. NUT	8	
11	(J14-81924-00-00)	BAR, SHORT	1	
12	J14-81926-00-00	. BAR, SHORT 2	1	
13	J14-81920-00-00	. TERMINAL ASSEMBLY	1	
14	95301-04700-00	. NUT (95302-04700)	4	
15	92901-04100-00	. WASHER, SPRING	4	
16	92901-04600-00	. WASHER, PLATE	4	
17	(J14-81952-00-00)	HOLDER, RELAY	1	
18	95380-06700-00	. NUT	8	
19	92995-06100-00	. WASHER, SPRING	8	
20	98580-05020-00	. SCREW, PAN HEAD	2	
21	92990-05100-00	. WASHER, SPRING	2	
22	92901-05600-00	. WASHER, PLATE	2	
23	J14-81942-00-00	. COVER	1	
24	95303-08700-00	NUT	3	
25	92990-08100-00	WASHER	3	
26	J14-W0012-00-00	CONTACT KIT, RELAY (RELAY)	2	ALT. PART

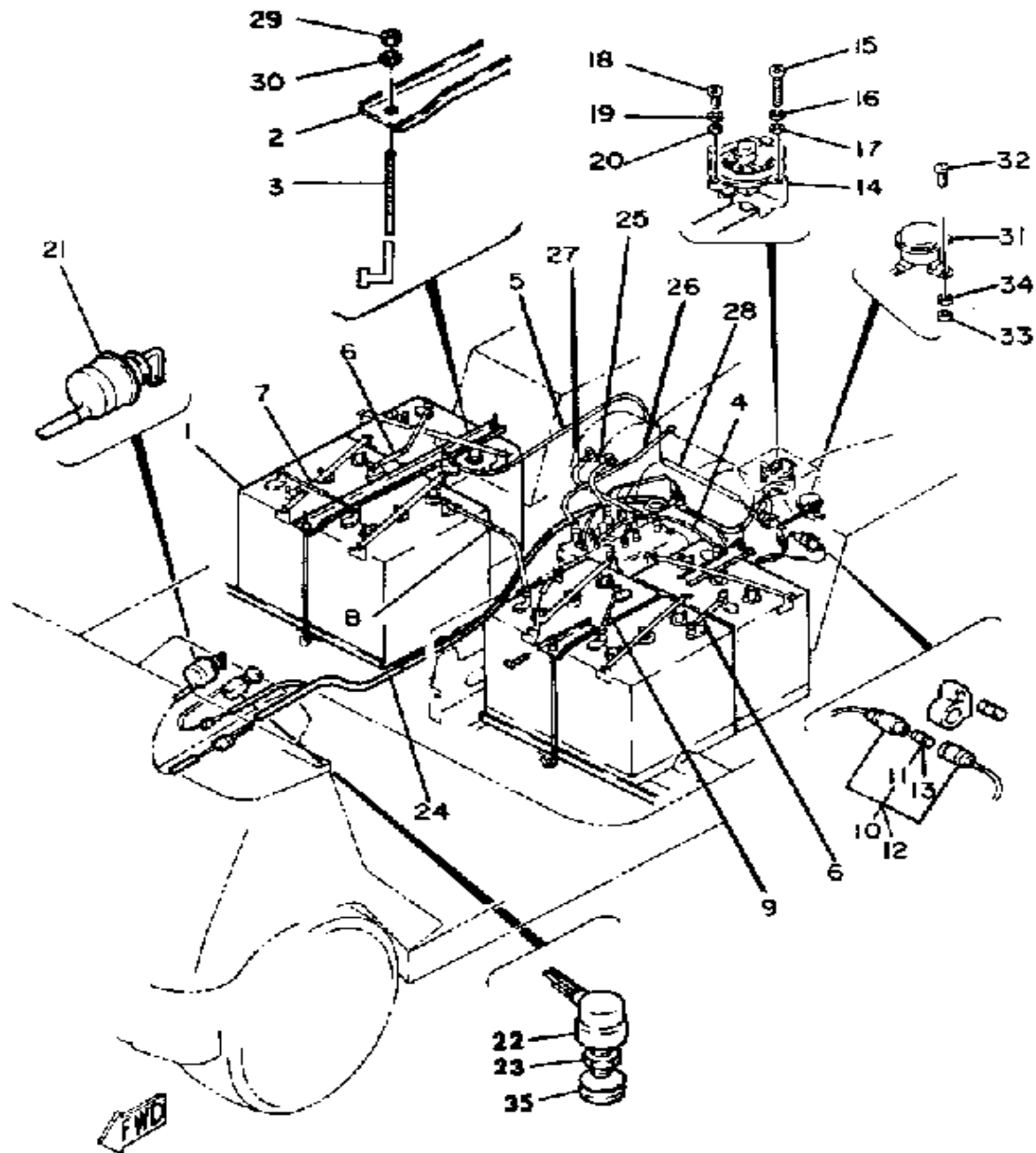
ELECTRICAL 2



Ref. No.	Part Number	Description	Qty	Remarks
1	*---	FRONT WHEEL ASSEMBLY ..	6	
2	J14-82136-00-00	PLATE, BATT FITTING	2	
3	J14-82133-01-00	SCREW, FITTING	4	
4	J14-82531-00-00	WIRE, LEAD	1	
5	J56-H2116-00-00	WIRE, MINUS LEAD (J14-82116-00)	1	
6	J56-H2117-00-00	WIRE, LEAD	2	
7	J56-H2127-00-00	WIRE, LEAD 2	1	
8	J56-H2149-00-00	WIRE, LEAD 3	1	
9	J56-H2127-00-00	WIRE, LEAD 2	1	
10	1E6-82150-00-00	FUSE HOLDER ASSEMBLY ...	1	
11	1E6-82151-00-00	. FUSE (10A)	2	
12	1E6-82150-00-00	FUSE HOLDER ASSEMBLY ...	1	
13	1E6-82151-00-00	. FUSE (10A)	2	
14	JF3-86181-00-00	RECEPTACLE	1	
15	98506-05035-00	SCREW, PAN HEAD	2	
16	92906-05100-00	WASHER, SPRING	2	
17	92906-05600-00	WASHER, PLATE	2	
18	98586-05016-00	SCREW, PAN HEAD	2	
19	92906-05100-00	WASHER, SPRING	2	
20	92906-05600-00	WASHER, PLATE	2	
21	J22-82508-00-00	MAIN SWITCH ASSEMBLY (J14-82508-00)	1	
22	J10-82530-02-00	STOP SWITCH ASSEMBLY ...	1	
23	95303-10700-00	NUT	1	
24	J14-82590-01-00	WIRE HARNESS ASSEMBLY ..	1	
25	J14-82521-00-00	WIRE, LEAD	1	
26	J14-82531-00-00	WIRE, LEAD	1	
27	J56-H2117-00-00	WIRE, LEAD	1	

CONTINUED ON NEXT FRAME ►

ELECTRICAL 2



Ref. No.	Part Number	Description	Qty	Remarks
28	J14-81315-00-00	LEAD WIRE ASSEMBLY	1	
29	95701-06300-00	NUT, NYLON	4	
30	90201-06067-00	WASHER, PLATE	4	
	92990-06200-00	WASHER	4	
31	J14-83383-01-00	BUZZER	1	
32	97301-06014-00	BOLT, HEXAGON	1	
33	95380-06700-00	NUT	1	
34	92995-06100-00	WASHER, SPRING	1	
35	J10-82532-00-00	CAP, RUBBER	1	